



# PIÈCES DÉTACHÉES

Groupe électrogène



**IG180A**



Yvan Béal - 21, av. de l'Agriculture - B.P. 16  
Z.I. du Brézet - 63014 Clermont-Ferrand Cedex 2  
Tél : 04 73 91 93 51 - Télécopie : 04 73 90 23 11  
www.yvanbeal.fr - E-mail : info@yvanbeal.fr  
R.C.S. Clermont-Fd B 304 973 886 S.A.S. au capital de 612 000 €

**03-000906-081010**



## HOW TO USE THIS PARTS CATALOGUE

### CATALOGUE CONSTRUCTION

Ref. No. Réf. No.	Parts No. Pièces No.	Description Désignation	Quantity Quant.	Remarks Remarques
A	B	C	D	E

- A. Ref. No.** : It is a reference number to find parts in the drawings.
- B. Parts No.** : Every part has its own 12-digit code number with which it is computer-controlled.  
Parts which have "V" at their code numbers' head are purchasable in the market.
- C. Description** : Names, sizes, functions and other meanings of parts are found in this column.  
"LH" and "RH" of parts are given by facing to the tractor-moving-forward direction or looking at them mounted on the tractor.  
Components of an assembled part (ASS'Y or SET) are listed set in from ASS'Y or SET name and headed with "●" as in the following example:

(Example)

MUFFLER ASSY

- ARRESTER, SPARK \_\_\_\_\_
  - GASKET \_\_\_\_\_
  - SCREW \_\_\_\_\_
  - WASHER \_\_\_\_\_
- Components of  
MUFFLER ASSY

Abbreviations which are used in this column are explained in Table page 3.

- D. Quantity** : This column specifies the quantity of a part required for one tractor. "AR" is the abbreviation of "AS REQUIRED."
- E. Remarks** : Additional notices are said here if any.  
Explanation of symbols:  
"★" shows parts made to order.  
"△" shows parts not sold as a single parts.  
"※" shows parts are not always in stock. requiring considerably long time before their delivery.

**E. Remarques** : On trouvera ici des observations utiles s'il y a lieu.

Explications des symboles:

"★" indique des pièces fabriquées sur commande.

"△" indique des pièces qui ne sont pas vendues séparément.

"※" Les pièces marquées dans la colonne des remarques, ne sont pas toujours disponibles en stock, et demandent beaucoup de temps avant de pouvoir être livrées.

### INDICATIONS POUR LA COMMANDE DES PIÈCES:

Le No. de code, la désignation de la pièce, et la quantité voulue devront être indiqués clairement à la machine à écrire sans erreur ou omission sur la feuille de commande.

On notera en particulier que des numéros de code erronés enregistrés à la commande par ordinateur risquent d'entraîner des erreurs à la fourniture des pièces.

# CONTENTS

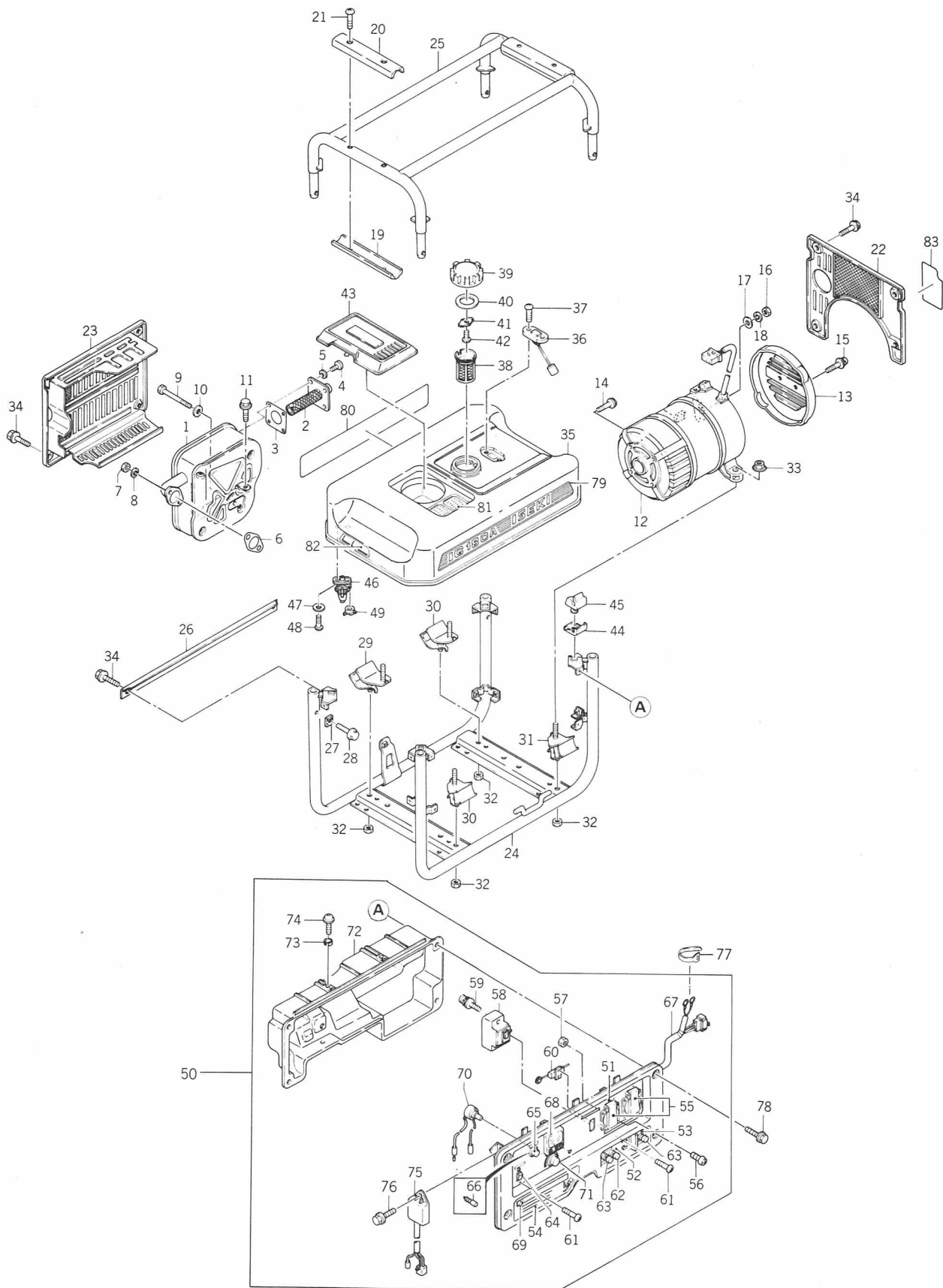
## TABLE DES MATIERES

### IG180A

IG180A (GA1800A-AB00) 220V/50Hz .....	2
Engine for IG180A (70200-2043) .....	6
Moteur pour IG180A (70200-2043) .....	6
Fig. A-1 AIR CLEANER .....	10
Filtre a air	
Fig. F-1 FILTER .....	11
Robinet	
Fig. C-1 CARBURETOR .....	12
Carburateur	
Fig. G-1 GENERATOR .....	14
Génératrice	
Fig. R-1 RECOIL STARTER .....	16
Lanceur	



IG180A (GA1800A-AB00) 220V/50Hz



Ref. No. Réf. No.	Part No. Pièces No.	Description Désignation	Q'ty Quant.	Remarks Remarques
1	5490-692-086-XX	MUFFLER ASSY	1	49069-2086
2	5180-772-062-XX	Ensemble pot échappement ●ARRESTER, SPARK	1	18077-2062
3	5110-092-375-XX	Pare-étincelle ●GASKET	1	11009-2375
4	5144-053-092-AX	Joint ●SCREW	4	314405-3092A
5	5410-B04-00X-XX	Vis ●WASHER	4	410B0400
6	5142-501-442-00	Rondelle GASKET	1	314250-1442-00
7	5317-R08-00X-XX	Joint NUT/M8	2	317R0800
8	5461-F08-00X-XX	Ecrou WASHER, SP	2	461F0800
9	5115-B08-60X-XX	Rondelle frein BOLT/M8x60	1	115B0860
10	5142-922-383-00	Vis WASHER	1	314292-2383-00
11	5130-B08-16X-XX	Rondelle BOLT/M8x16	1	130B0816
12	5210-012-134-XX	Vis GENERATOR ASSY	1	21001-2134
13	5140-312-057-9H	Ensemble generatrice COVER, GENERATOR	1	14031-2057-9H
14	5130-B08-20X-XX	Couvercle BOLT/M8x20	4	130B0820
15	5224-C05-10X-XX	Vis SCREW/M5x10	2	224C0510
16	5311-M05-00A-XX	Vis NUT/M5	2	311M0500A
17	5411-B05-00X-XX	Ecrou WASHER	2	411B0500
18	5461-F05-00A-XX	Rondelle WASHER, SP	2	461F0500A
19	5460-752-055-XX	Rondelle frein GRIP	2	46075-2055
20	5460-752-054-XX	Poignee GRIP	2	46075-2054
21	5920-092-135-XX	Poignee SCREW	4	92009-2135
22	5140-252-148-9H	Vis COVER	1	14025-2148-9H
23	5491-062-269-9H	Couvercle COVER, MUFFLER	1	49106-2269-9H
24	5310-112-064-9H	Couvercle FRAME	1	31011-2064-9H
25	5310-112-061-9H	Chassis FRAME	1	31011-2061-9H
26	5310-112-062-9H	Chassis FRAME	1	31011-2062-9H
27	5920-222-181-XX	Chassis WASHER	4	92022-2181
28	5130-J08-16X-XX	Rondelle BOLT/M8x16	4	130J0816
29	5920-752-084-XX	Vis DAMPER	1	92075-2084
30	5920-752-085-XX	Amortisseur DAMPER	2	92075-2085
31	5920-752-086-XX	Amortisseur DAMPER	1	92075-2086
32	5317-B08-00X-XX	Amortisseur NUT/M8	4	317B0800
33	5920-151-022-XX	Ecrou NUT	4	92015-1022
34	5186-C06-12X-XX	Ecrou BOLT/M6x12	9	186C0612
35	5510-026-001-9T	Vis FUEL TANK ASSY	1	51002-6001-9T
36	5158-016-665-EX	Réservoir ●GAUGE, FUEL	1	315801-6665E
37	5158-016-577-AX	Jouge ●SCREW	2	315801-6577A
38	5956-866-661-AX	Vis ●STRAINER, FUEL	1	395686-6661A
39	5510-482-055-XX	Filtre ●TANK CAP ASSY	1	51048-2055
		Bouchon de réservoir		

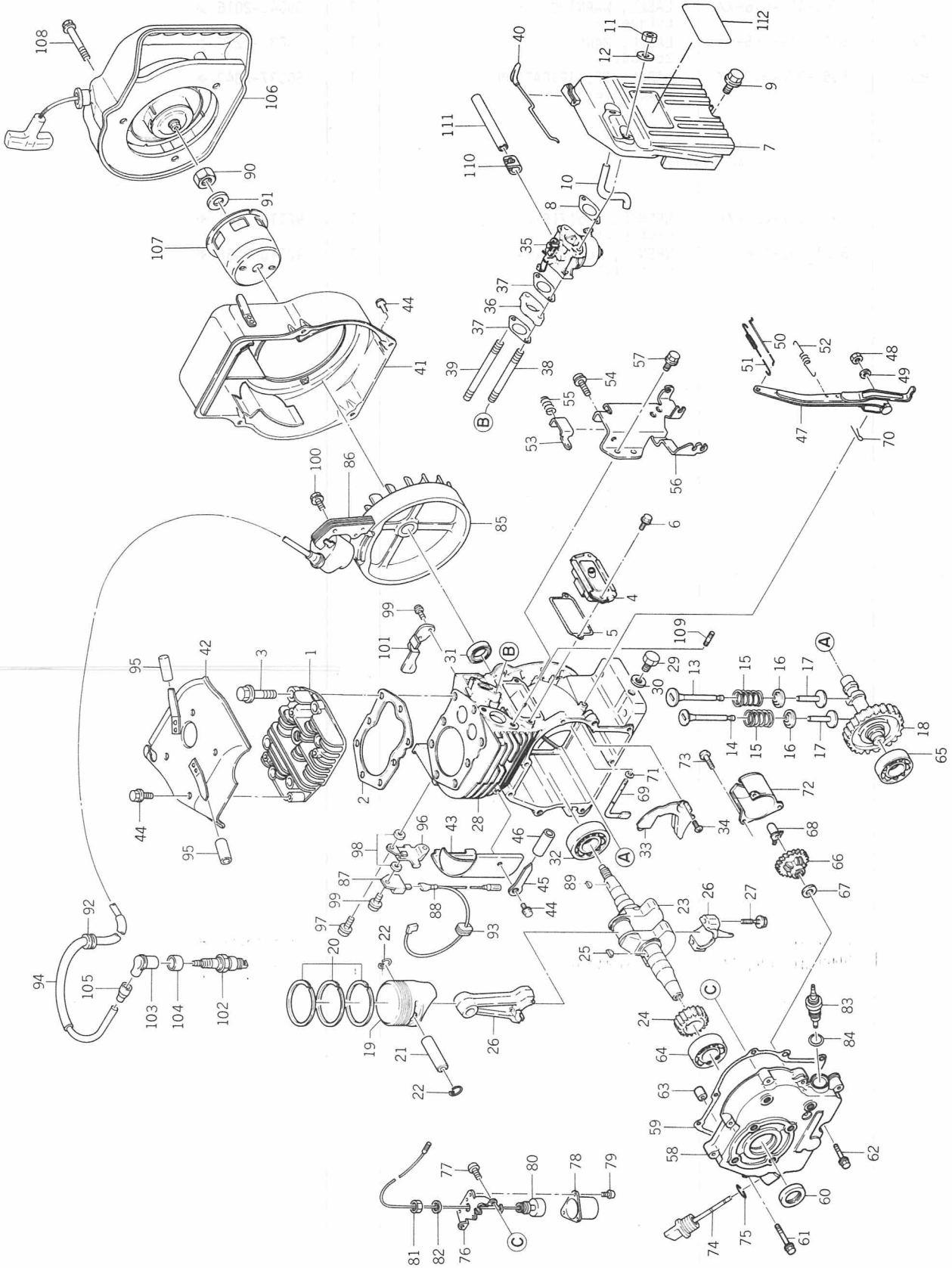
See Fig. G-1  
Voir Fig. G-1



Ref. No. Réf. No.	Part No. Pièces No.	Description Désignation	Q'ty Quant.	Remarks Remarques	
40	5158-016-643-BX	●●GASKET Joint	1	315801-6643B	
41	5158-016-644-AX	●●SPRING Lame ressort	1	315801-6644A	
42	5144-016-732-AX	●●SCREW Vis	2	314401-6732A	
43	5110-122-133-XX	CAP Capuchon	1	11012-2133	
44	5320-522-132-XX	BRACKET, TANK Support	4	32052-2132	
45	5920-752-083-XX	DAMPER Silentbloc	4	92075-2083	
46	5158-016-510-AX	FILTER ASSY Ensemble robinet	1	315801-6510A	See Fig. F-1 Voir Fig. F-1
47	5158-016-625-AX	WASHER Rondelle	2	315801-6625A	
48	5158-016-577-AX	SCREW Vis	2	315801-6577A	
49	5136-796-812-00	CLIP Clip	1	313679-6812-00	
50	5391-802-285-XX	CONTROL PANEL ASSY Panneau de commande	1	39180-2285	
51	5560-302-186-XX	●LABEL Etiquette	1	56030-2186 *	
52	5560-312-254-XX	●LABEL, MANUAL Etiquette	1	56031-2254 *	
53	5560-302-027-XX	●LABEL Etiquette	1	56030-2027 *	
54	5560-402-125-XX	●LABEL, WARNING Etiquette	1	56040-2125 *	
55	5951-868-513-AX	●SOCKET Prise	2	395186-8513A	
56	5221-C04-12X-XX	●SCREW/M4x12 Vis	8	221C0412	
57	5311-B04-00A-XX	●NUT/M4 Ecrou	8	311B0400A	
58	5964-868-420-AX	●BREAKER (7A) Disjoncteur	1	396486-8420A	
59	5225-B04-35X-XX	●SCREW/M4x35 Vis	2	225B0435	
60	5956-008-106-AX	●BREAKER (DC12A) Disjoncteur	1	395600-8106A	
61	5220-B03-08X-XX	●SCREW/M3x8 Vis	4	220B0308	
62	5951-008-822-01	●TERMINAL (+) Borne	1	395100-8822-01	
63	5951-008-826-01	●TERMINAL (-) Borne	2	395100-8826-01	
64	5951-008-511-02	●SWITCH Contact	1	395100-8511-02	
65	5951-009-801-BX	●LAMP ASSY Lampe témoin	1	395100-9801B	
66	5951-009-802-00	●●BULB Ampoule	1	395100-9802-00	
67	5260-012-154-XX	●HARNESS Faisceau	1	26001-2154	
68	5953-599-930-BX	●METER Compteur	1	395359-9930B	
69	5230-162-055-XX	●LAMP ASSY Lampe témoin	1	23016-2055	
70	5280-182-051-XX	●RESISTOR Résistance	1	28018-2051	
71	5920-772-058-XX	●KNOB Poignée	1	92077-2058	
72	5140-252-154-XX	●COVER Couvercle	1	14025-2154	
73	5950-006-742-AX	●SPACER Pièce d'écartement	4	395000-6742A	
74	5235-C05-10X-XX	●SCREW/M5x10 Vis	4	235C0510	
75	5211-772-052-XX	●CONTROLLER Regulateur	1	21177-2052	
76	5186-B06-10X-XX	●BOLT/M6x10 Vis	1	186B0610	
77	5166-918-577-AX	BAND Bande	1	316691-8577A	
78	5186-C06-12X-XX	BOLT/M6x12 Vis	4	186C0612	

Ref. No. Réf. No.	Part No. Pièces No.	Description Désignation	Q'ty Quant.	Remarks Remarques
79	5560-382-348-XX	LABEL, MARK Étiquette	1	56038-2348 *
80	5560-402-126-XX	LABEL, WARNING Étiquette	1	56040-2126 *
81	5560-402-016-XX	LABEL, WARNING Étiquette	1	56040-2016 *
82	5560-312-255-XX	LABEL, MANUAL Étiquette	1	56031-2255 *
83	5560-372-343-XX	LABEL, SPECIFICATION Étiquette	1	56037-2343 *
	ACCESSORY Accessoire			
	5921-102-071-XX	WRENCH, tool/19x21 Clef plate	1	92110-2071 *
	5921-102-066-XX	WRENCH, tool/12x14 Clef plate	1	92110-2066 *

Engine for IG180A (70200-2043)  
 Moteur pour IG180A (70200-2043)



Ref. No. Réf. No.	Part No. Pièces No.	Description Désignation	Q'ty Quant.	Remarks Remarques	
1	5110-012-069-XX	HEAD, CYL. Culasse	1	11001-2069	
2	5110-042-068-XX	GASKET, HEAD Joint de cylindre	1	11004-2068	
3	5920-022-243-XX	BOLT Vis	8	92002-2243	
4	5156-011-231-AX	COVER, INSPECTION Couvercle	1	315601-1231A	
5	5142-501-232-00	GASKET Joint	1	314250-1232-00	
6	5130-B06-12X-XX	BOLT/M6x12 Vis	2	130B0612	
7	5110-102-233-XX	AIR CLEANER ASSY Filter a air	1	11010-2233	See Fig. A-1
8	5156-011-332-AX	GASKET Joint	1	315601-1332A	Voir Fig. A-1
9	5130-B06-16X-XX	BOLT/M6x16 Vis	1	130B0616	
10	5920-592-162-XX	TUBE Tuyau	1	92059-2162	
11	5311-C06-00X-XX	NUT/M6 Ecrou	2	311C0600	
12	5920-222-136-XX	WASHER Rondelle	2	92022-2136	
13	5154-002-111-AX	VALVE, INLET Soupape admission	1	315400-2111A	
14	5120-052-062-XX	VALVE, EXHAUST Soupape echappement	1	12005-2062	
15	5154-702-113-AX	SPRING, VALVE Ressort de soupape	2	315470-2113A	
16	5120-092-057-XX	RETAINER, SPRING Coupelle	2	12009-2057	
17	5142-502-211-00	TAPPET Poussoir	2	314250-2211-00	
18	5491-186-001-XX	CAM SHAFT COMP Arbre a cames	1	49118-6001	
19	5156-013-111-AX	PISTON S.T.D Piston standard	1	315601-3111A	
	5130-292-071-XX	PISTON O/S 0.25mm Piston	AR	13029-2071	
	5130-292-072-XX	PISTON O/S 0.50mm Piston	AR	13029-2072	
20	5156-013-010-AX	PISTON RING SET S.T.D Jeu de segments	1	315601-3010A	
	5130-252-067-XX	PISTON RING SET O/S 0.25mm Jeu de segments	AR	13025-2067	
	5130-252-068-XX	PISTON RING SET O/S 0.50mm Jeu de segments	AR	13025-2068	
21	5154-703-121-AX	PIN, PISTON Axe de piston	1	315470-3121A	
22	5155-013-122-AX	RING, SNAP Jonc d'arret	2	315501-3122A	
23	5491-196-001-XX	CRANK SHAFT ASSY Vilebrequin	1	49119-6001	
24	5156-013-217-AX	•GEAR, CRANK Pignon	1	315601-3217A	
25	5136-502-371-00	•KEY Clavette	1	313650-2371-00	
26	5156-013-240-AX	CONNECTING ROD ASSY Bielle	1	315601-3240A	
27	5156-013-245-AX	•BOLT, CONNECTING ROD Vis	2	315601-3245A	
28	5156-014-110-EX	CRANK CASE ASSY Carter	1	315601-4110E	
29	5130-B10-14X-XX	•BOLT/M10x14 Vis	2	130B1014	
30	5145-V27-214-AX	•GASKET Joint	2	3145V2-7214A	
31	5142-504-231-00	SEAL, OIL Joint SPI	1	314250-4231-00	
32	5601-A63-05X-XX	BEARING, RB/6305 Roulement RB	1	601A6305	
33	5131-692-377-XX	PLATE Plaque	1	13169-2377	
34	5158-016-732-AX	SCREW Vis	2	315801-6732A	
35	5150-012-353-XX	CARBURETOR ASSY Ensemble carburateur	1	15001-2353	See Fig. C-1 Voir Fig. C-1

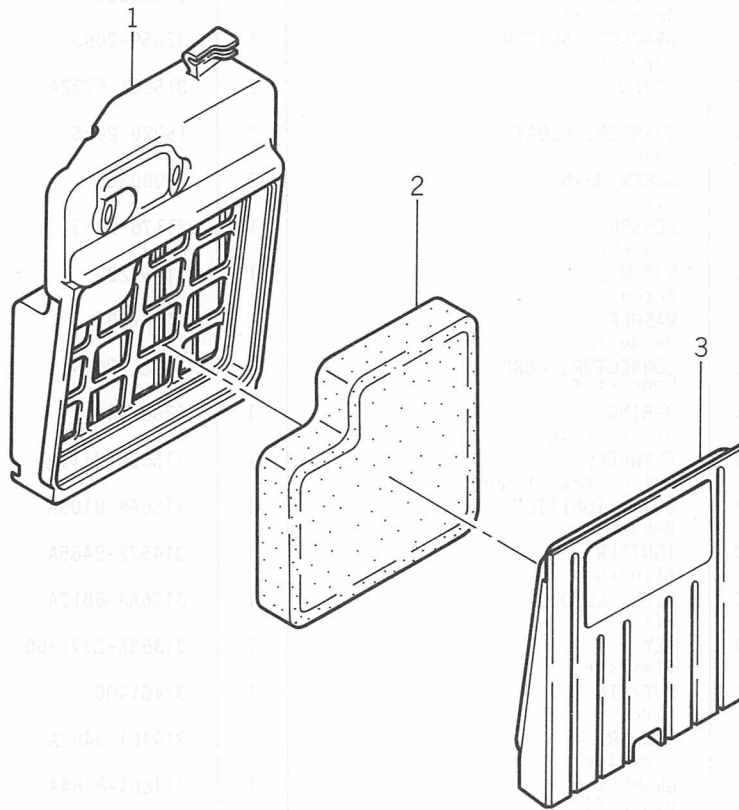
Ref. No. Réf. No.	Part No. Pièces No.	Description Désignation	Q'ty Quant.	Remarks Remarques
36	5156-016-181-AX	INSULATOR Ecran thermique	1	315601-6181A
37	5156-016-184-AX	GASKET Joint	2	315601-6184A
38	5920-022-251-XX	BOLT vis	1	92002-2251
39	5920-022-252-XX	BOLT Vis	1	92002-2252
40	5161-692-058-XX	LINK, CHOKE Tige	1	16169-2058
41	5590-662-252-9H	HOUSING, FAN Capot de ventilation	1	59066-2252-9H
42	5490-892-087-9H	SHROUD Capot	1	49089-2087-9H
43	5490-892-088-9H	SHROUD Capot	1	49089-2088-9H
44	5130-B06-12X-XX	BOLT/M6x12 Vis	9	130B0612
45	5136-468-161-00	CLAMP Attace	1	313646-8161-00
46	5136-428-167-00	TUBE Tuyau	1	313642-8167-00
47	5491-032-074-XX	ARM, GOVERNOR Levier à chape	1	49103-2074
48	5311-B06-00X-XX	NUT/M6 Erou	1	311B0600
49	5411-B06-00X-XX	WASHER Rondelle	1	411B0600
50	5156-015-231-AX	LINK, THROTTLE Tige	1	315601-5231A
51	5142-505-232-00	SPRING, LINK Ressort	1	314250-5232-00
52	5156-105-314-BX	SPRING, GOVERNOR Ressort	1	315610-5314B
53	5131-682-082-XX	LEVER Levier	1	13168-2082
54	5224-B06-25X-XX	SCREW/M6x25 Vis	1	224B0625
55	5158-015-321-AX	SPRING Ressort	1	315801-5321A
56	5110-432-102-XX	BRACKET Support	1	11043-2102
57	5130-B06-12X-XX	BOLT/M6x12 Vis	2	130B0612
58	5490-156-002-XX	CRANK CASE COVER COMP Carer	1	49015-6002
59	5156-014-124-AX	GASKET Joint	1	315601-4124A
60	5920-492-067-XX	SEAL, OIL Joint SPI	1	92049-2067
61	5130-G06-40X-XX	BOLT/M6x40 Vis	2	130G0640
62	5130-G06-30X-XX	BOLT/M6x30 Vis	6	130G0630
63	5136-404-181-AX	PIN, DOWEL Goupille elastique	2	313640-4181A
64	5601-A62-05X-XX	BEARING, RB/6205 Coussint	1	601A6205
65	5601-A62-02X-XX	BEARING, RB/6202 Coussint	1	601A6202
66	5158-015-110-AX	GOVERNOR ASSY Regulateur	1	315801-5110A
67	5920-222-135-XX	WASHER Rondelle	1	92022-2135
68	5144-015-121-BX	SLEEVE, GOVERNOR Butee de regulateur	1	314401-5121B
69	5155-015-122-CX	TIP, GOVERNOR Fourchette	1	315501-5122C
70	5554-A06-00X-XX	PIN, SNAP Goupille a ressort	1	554A0600
71	5410-B06-00X-XX	WASHER Rondelle	1	410B0600
72	5140-252-131-XX	COVER Capot	1	14025-2131
73	5144-053-092-AX	SCREW Vis	3	314405-3092A
74	5158-017-411-AX	GAUGE, OIL Jauge à huile	1	315801-7411A

Ref. No. Réf. No.	Part No. Pièces No.	Description Désignation	Q'ty Quant.	Remarks Remarques
75	5670-B20-20X-XX	O-RING Joint torique	1	670B2020
76	5320-592-068-XX	BRACKET, SWITCH Support	1	32059-2068
77	5158-016-732-AX	SCREW Vis	2	315801-6732A
78	5160-202-055-XX	CHAMBER, FLOAT Cuve	1	16020-2055
79	5220-B03-06X-XX	SCREW/M3x6 Vis	3	220B0306
80	5211-762-063-XX	SENSOR Senseur	1	21176-2063
81	5315-B12-00X-XX	NUT/M12 Erou	1	315B1200
82	5410-B12-00X-XX	WASHER Rondelle	1	410B1200
83	5592-212-054-XX	CONNECTOR, CORD Connecteur	1	59221-2054
84	5670-B20-15X-XX	O-RING Joint torique	1	670B2015
85	5156-BB8-111-AX	FLYWHEEL Volant magnetique	1	3156BB-8111A
86	5156-AA8-103-AX	COIL, IGNITION Bobine	1	3156AA-8103A
87	5145-728-465-AX	IGNITER Allumeur	1	314572-8465A
88	5156-AA8-812-AX	WIRE, LEAD Fil	1	3156AA-8812A
89	5136-502-371-00	KEY Clavette	1	313650-2371-00
90	5314-G14-00X-XX	NUT/M14 Erou	1	314G1400
91	5144-013-482-AX	WASHER Rondelle	1	314401-3482A
92	5146-018-164-AX	GROMMET Passe-fil	1	314601-8164A
93	5172-948-164-00	GROMMET Passe-fil	1	317294-8164-00
94	5920-592-089-XX	TUBE Tuyau	1	92059-2089
95	5173-708-167-00	TUBE Tuyau	2	317370-8167-00
96	5146-018-137-AX	BRACKET Support	1	314601-8137A
97	5156-016-732-AX	SCREW Vis	2	315601-6732A
98	5158-016-625-AX	WASHER Rondelle	3	315801-6625A
99	5242-B04-10A-XX	SCREW/M4x10 Vis	3	242B0410A
100	5131-B05-20X-XX	BOLT/M5x20 Vis	2	131B0520
101	5156-008-468-AX	PLATE Plaque	1	315600-8468A
102	5920-706-001-XX	PLUG, SPARK (BPR4HS) Bougie	1	92070-6001
103	5144-938-412-AX	CAP, PLUG Capuchon	1	314493-8412A
104	5119-018-413-AX	•COVER Isolant	1	311901-8413A
105	5144-938-415-AX	•GROMMET Passe-fil	1	314493-8415A
106	5490-882-076-9H	RECOIL STARTER ASSY Ensemble lanceur	1	49088-2076-9H
107	5156-013-432-AX	PULLEY Bol	1	315601-3432A
108	5130-C06-62X-XX	BOLT/M6x62 Vis	3	130C0662
109	5171-G08-18X-XX	STUD Goujon	2	171G0818
110	5136-796-812-00	CLIP Clip	1	313679-6812-00
111	5702-A04-100-0X	TUBE, RUBBER/ℓ=105mm Tuyau	1	702A041000
112	5560-312-212-XX	LABEL, MANUAL Etiquette	1	56031-2212 ✱

See Fig. R-1  
Voir Fig. R-1

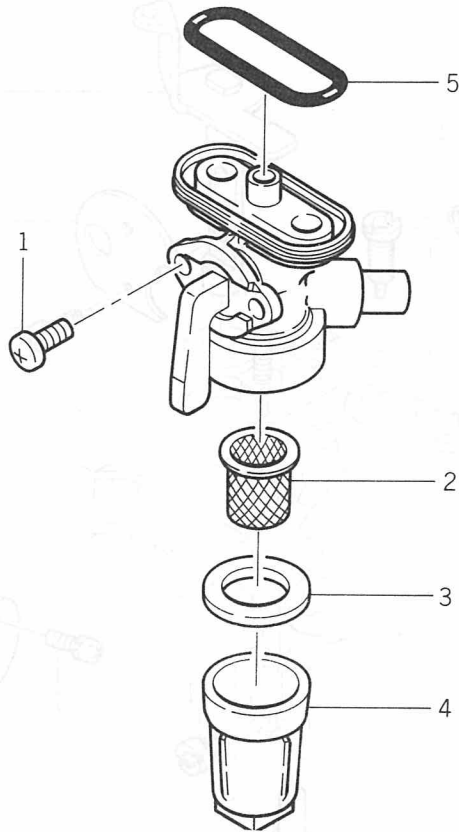
Fig. A-1 AIR CLEANER

Filtre a air



Ref. No. Réf. No.	Part No. Pièces No.	Description Désignation	Q'ty Quant.	Remarks Remarques
	5110-102-233-XX	AIR CLEANER ASSY Ensemble filtre à air	1	11010-2233
A-1- 1	5110-382-051-XX	•CASE, AIR CLEANER Boîtier	1	11038-2051
A-1- 2	5110-132-088-XX	•ELEMENT, AIR CLEANER Cartouche	1	11013-2088
A-1- 3	5140-252-161-XX	•COVER Capot	1	14025-2161

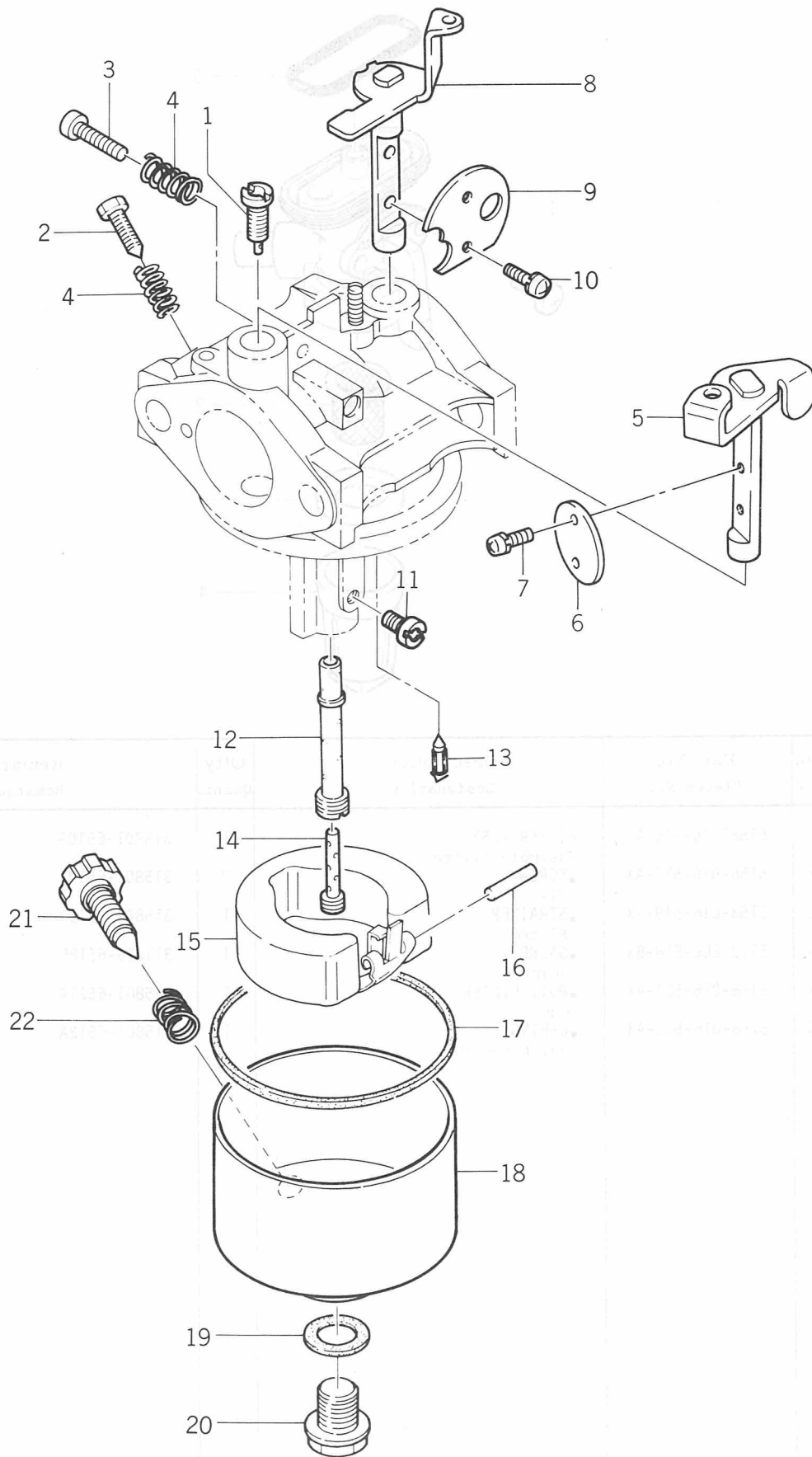
Fig. F-1 FILTER  
Robinet



Ref. No. Réf. No.	Part No. Pièces No.	Description Désignation	Q'ty Quant.	Remarks Remarques
	5158-016-510-AX	FILTER ASSY Ensemble filtre	1	315801-6510A
F-1- 1	5158-016-517-AX	•SCREW Vis	2	315801-6517A
F-1- 2	5158-016-519-AX	•STRAINER Filtre	1	315801-6519A
F-1- 3	5112-206-518-BX	•GASKET Joint	1	311220-6518B
F-1- 4	5158-016-521-AX	•POT, FILTER Cuve	1	315801-6521A
F-1- 5	5158-016-512-AX	•O-RING Joint torique	1	315801-6512A

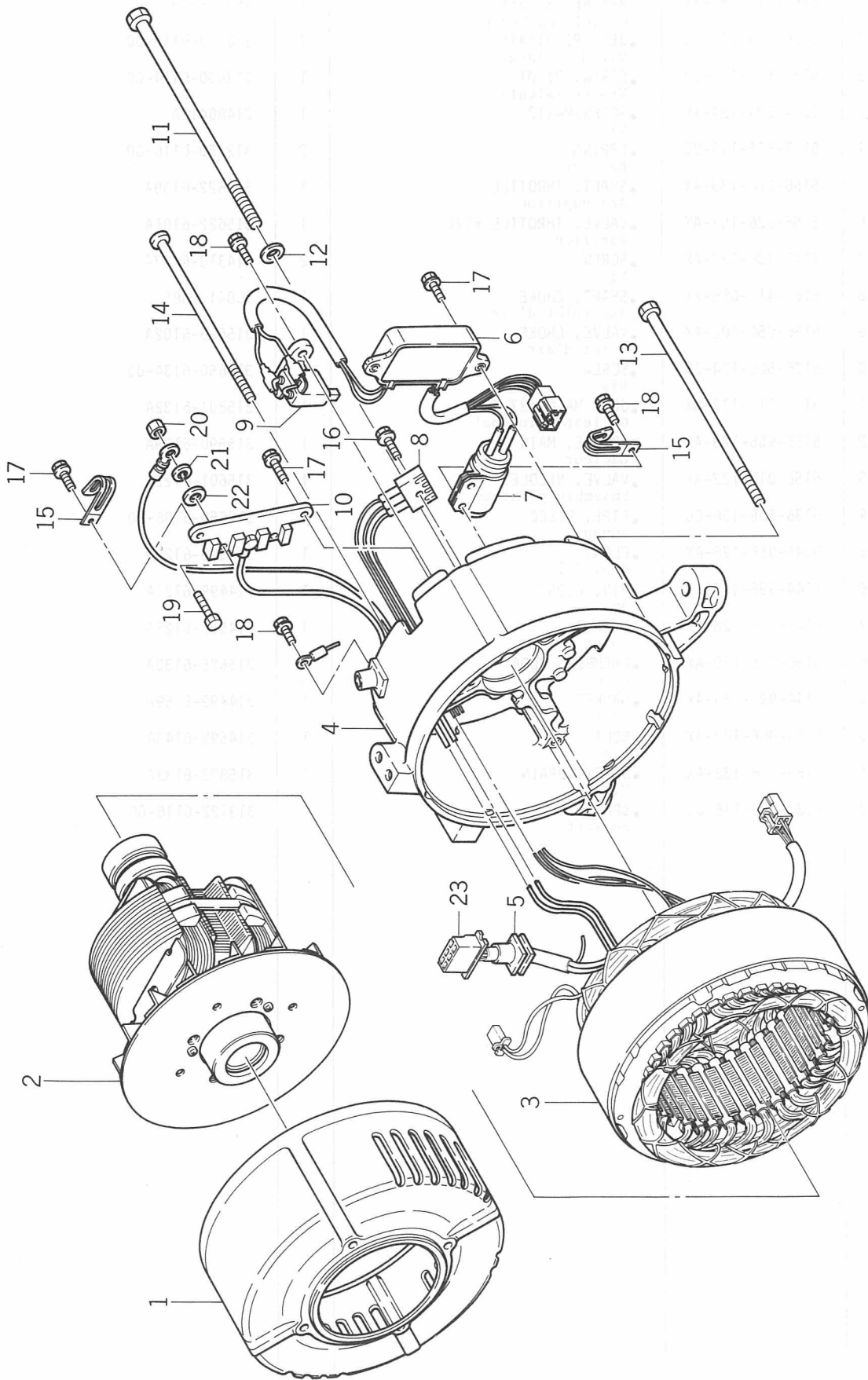


Fig. C-1 CARBURETOR  
Carburateur



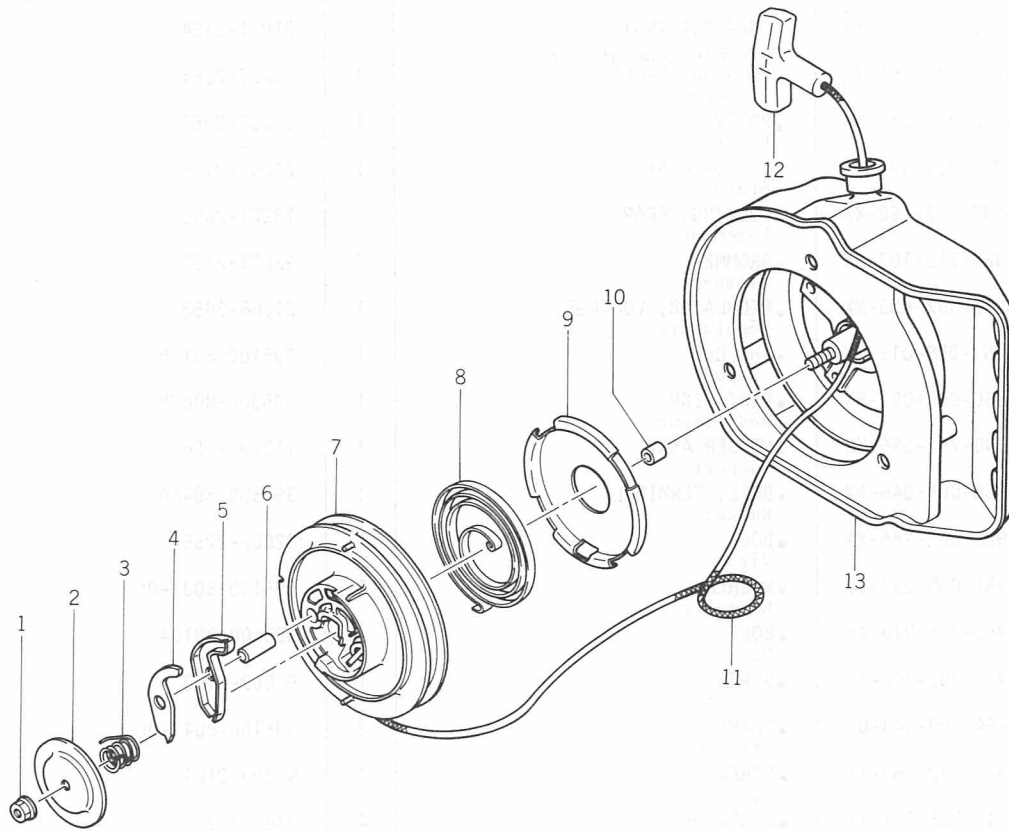
Ref. No. Réf. No.	Part No. Pièces No.	Description Désignation	Q'ty Quant.	Remarks Remarques
	5150-012-353-XX	CARBURETOR ASSY Ensemble carburateur	1	15001-2353
C-1- 1	5136-506-112-00	•JET, PILOT/#45 Vis de mélange	1	313650-6112-00
C-1- 2	5136-506-114-00	•SCREW, PILOT Vis de ralenti	1	313650-6114-00
C-1- 3	5214-B04-12A-XX	•SCREW/M4x12 Vis	1	214B0412A
C-1- 4	5127-506-116-00	•SPRING Ressort	2	312750-6116-00
C-1- 5	5156-226-139-AX	•SHAFT, THROTTLE Axe papillon	1	315622-6139A
C-1- 6	5156-226-101-AX	•VALVE, THROTTLE/#170 Papillon	1	315622-6101A
C-1- 7	5143-106-137-AX	•SCREW Vis	2	314310-6137A
C-1- 8	5160-412-085-XX	•SHAFT, CHOKE Axe volet d'air	1	16041-2085
C-1- 9	5156-256-102-AX	•VALVE, CHOKE Volet d'air	1	315625-6102A
C-1-10	5136-506-134-00	•SCREW Vis	2	313650-6134-00
C-1-11	5158-016-132-AX	•JET, MAIN/#87.5 Gicleur principal	1	315801-6132A
C-1-12	5155-906-129-AX	•NOZZLE, MAIN Gicleur	1	315590-6129A
C-1-13	5156-016-122-AX	•VALVE, NEEDLE Ensemble pointeau	1	315601-6122A
C-1-14	5136-506-106-00	•PIPE, BLEED Tuyau	1	313650-6106-00
C-1-15	5145-956-126-AX	•FLOAT Flotteur	1	314595-6126A
C-1-16	5144-996-127-AX	•PIN, FLOAT Axe	1	314499-6127A
C-1-17	5145-986-128-AX	•GASKET Joint	1	314598-6128A
C-1-18	5156-256-130-AX	•CHAMBER, FLOAT Cuve	1	315625-6130A
C-1-19	5144-996-159-AX	•GASKET Joint	1	314499-6159A
C-1-20	5145-986-143-AX	•BOLT Vis	1	314598-6143A
C-1-21	5158-226-133-AX	•SCREW, DRAIN Vis	1	315822-6133A
C-1-22	5131-226-116-00	•SPRING Ressort	1	313122-6116-00

Fig. G-1 GENERATOR  
Génératrice



Ref. No. Réf. No.	Part No. Pièces No.	Description Désignation	Q'ty Quant.	Remarks Remarques
	5210-012-134-XX	GENERATOR ASSY Ensemble génératrice	1	21001-2134
G-1- 1	5132-272-061-XX	•HOUSING, FRONT Logement	1	13227-2061
G-1- 2	5210-072-053-XX	•ROTOR ASSY Rotor	1	21007-2053
G-1- 3	5210-032-095-XX	•STATOR ASSY Stator	1	21003-2095
G-1- 4	5132-272-060-XX	•HOUSING, REAR Logement	1	13227-2060
G-1- 5	5920-712-107-XX	•GROMMET Passe-fil	2	92071-2107
G-1- 6	5210-662-053-XX	•REGULATOR, VOLTAGE Régulateur	1	21066-2053
G-1- 7	5951-008-015-BX	••HOLDER Support	1	395100-8015B
G-1- 8	5950-008-007-BX	•RECTIFIER Redresseur	1	395000-8007B
G-1- 9	5140-792-056-XX	•HOLDER ASSY Support	1	14079-2056
G-1-10	5956-008-046-AX	•BASE, TERMINAL Embase	1	395600-8046A
G-1-11	5920-022-255-XX	•BOLT Vis	1	92002-2255
G-1-12	5951-008-031-00	•WASHER Rondelle	1	395100-8031-00
G-1-13	5955-008-010-AX	•BOLT Vis	4	395500-8010A
G-1-14	5920-092-163-XX	•SCREW Vis	1	92009-2163
G-1-15	5954-008-043-00	•CLAMP Attache	2	395400-8043-00
G-1-16	5920-092-164-XX	•SCREW Vis	1	92009-2164
G-1-17	5242-B05-12X-XX	•SCREW/M5x12 Vis	4	242B0512
G-1-18	5232-B05-10A-XX	•SCREW/M5x10 Vis	3	232B0510A
G-1-19	5214-B05-20A-XX	•SCREW/M5x20 Vis	2	214B0520A
G-1-20	5312-B05-00A-XX	•NUT/M5 Ecrou	2	312B0500A
G-1-21	5461-F05-00A-XX	•WASHER, SP Rondelle frein	2	461F0500A
G-1-22	5411-B05-00X-XX	•WASHER, SP Rondelle	2	411B0500
G-1-23	5951-008-045-BX	•COUPLER Couplage	1	395100-8045B

Fig. R-1 RECOIL STARTER  
Lanceur



Ref. No. Réf. No.	Part No. Pièces No.	Description Désignation	Q'ty Quant.	Remarks Remarques
	5490-882-076-9H	RECOIL STARTER ASSY Ensemble lanceur	1	49088-2076-9H
R-1- 1	5156-013-443-AX	•NUT/M6 Ecroû	1	315601-3443A
R-1- 2	5156-013-449-AX	•COVER, RETIANER Disque d'encliquetage	1	315601-3449A
R-1- 3	5156-113-446-AX	•SPRING Ressort	1	315611-3446A
R-1- 4	5156-013-445-AX	•PAWL, RECOIL Cliquet	1	315601-3445A
R-1- 5	5156-113-463-AX	•PAWL, RECOIL Cliquet	1	315611-3463A
R-1- 6	5156-013-473-AX	•PIN, PAWL Axe	1	315601-3473A
R-1- 7	5156-113-441-AX	•REEL, RECOIL Poulie	1	315611-3441A
R-1- 8	5156-013-452-AX	•SPRING, RECOIL Ressort spirale	1	315601-3452A
R-1- 9	5156-013-464-AX	•CASE, SPRING Capot	1	315601-3464A
R-1-10	5156-013-458-AX	•WASHER Rondelle	1	315601-3458A
R-1-11	5142-213-453-00	•ROPE/5x1300 Cordon	1	314221-3453-00
R-1-12	5460-752-057-XX	•GRIP Poignee	1	46075-2057
R-1-13	5320-992-057-9H	•CASE, RECOIL STARTER Capot	1	32099-2057-9H





**Yvan Béal - 21, av. de l'Agriculture - B.P 16  
Z.I. du Brézet - 63014 Clermont-Ferrand Cedex 2  
Tél : 04 73 91 93 51 - Télécopie : 04 73 90 23 11  
www.yvanbeal.fr - E-mail : info@yvanbeal.fr  
R.C.S. B 304 973 886 - S.A.S. au capital de 612 000 €**