

[www.emc-motoculture.com](http://www.emc-motoculture.com)

**IG320A**  
**IG320A-S**



Fig. 1 CYLINDER/CRANKCASE  
Cylindre/Carter

E0110-2027B

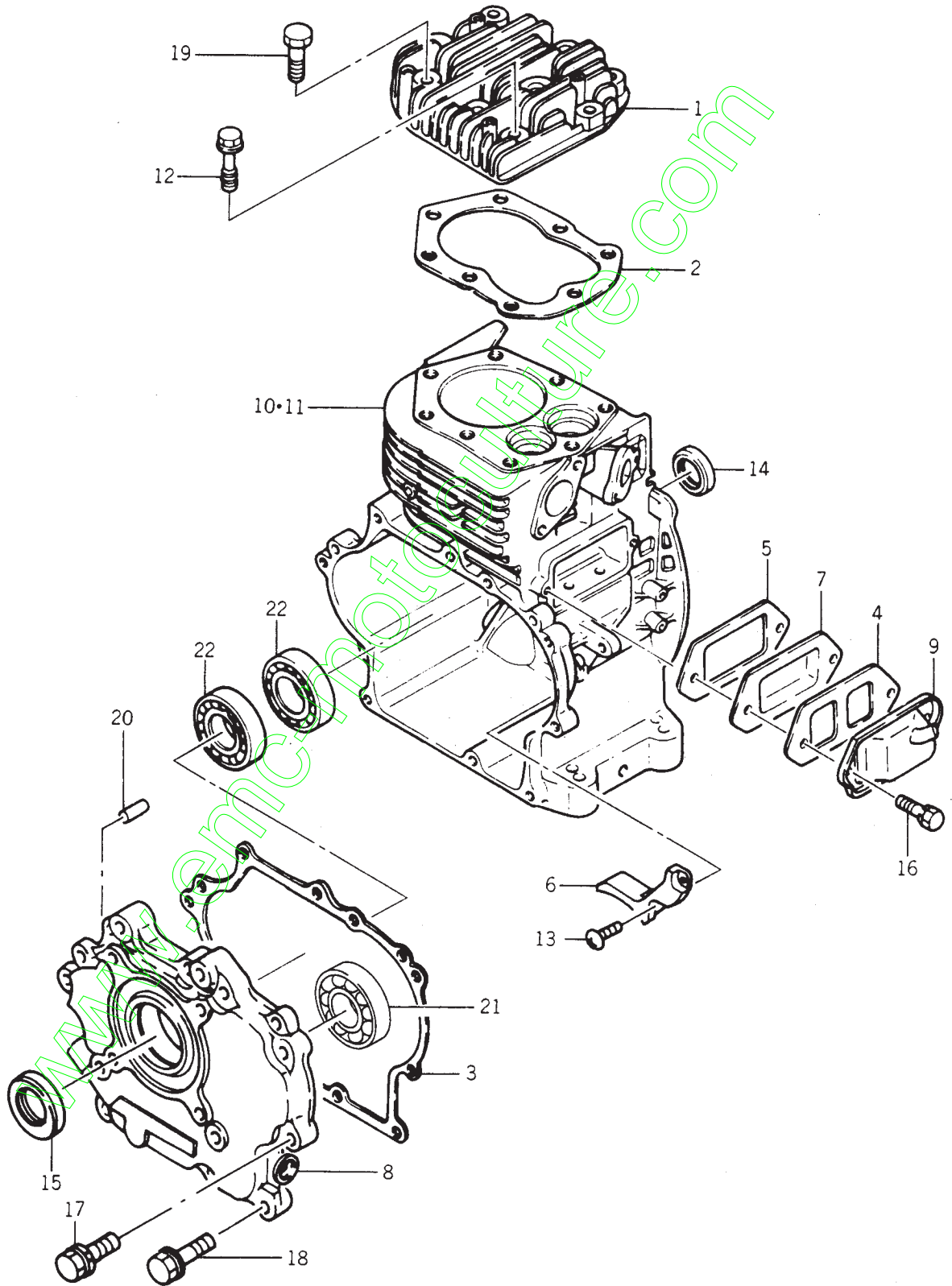
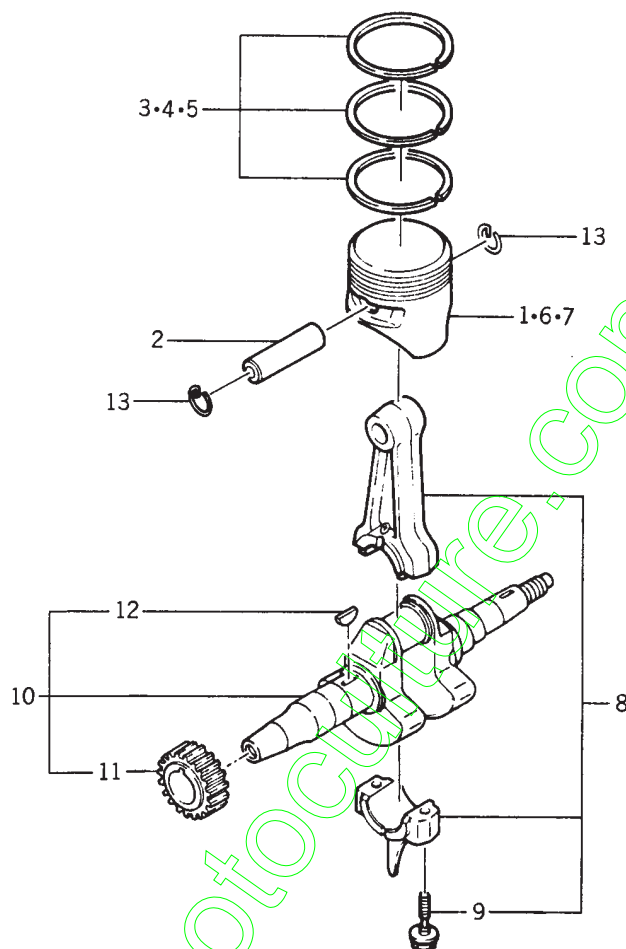


FIG. 1 CYLINDER/CRANKCASE  
Cylindre/Carter

Ref. No. Réf. No.	Parts No. Pièces No.	Description Désignation	Q'ty Quant.		Remarks Remarques
			A	A-S	
1-1	5110-012-084-XX	HEAD-CYLINDER Culasse	1	1	11001-2084
1-2	5110-042-085-XX	GASKET-HEAD Joint de cylindre	1	1	11004-2085
1-3	5110-092-113-XX	GASKET, CRANKCASE COVER Joint	1	1	11009-2113
1-4	5158-011-233-AX	GASKET Joint	1	1	315801-1233A
1-5	5164-701-232-00	GASKET Joint	1	1	316470-1232-00
1-6	5131-692-404-XX	PLATE Plaque	1	1	13169-2404
1-7	5158-011-510-EX	BREATHER Clapet	1	1	315801-1510E
1-8	5490-156-005-XX	COVER-CRANKCASE Carter	1	1	49015-6005
1-9	5491-082-071-9H	COVER-VALVE CHAMBER Reniflard	1	1	49108-2071-9H
1-10	5491-202-163-XX	CRANKCASE-COMP Carter	1		49120-2163
1-11	5491-202-165-XX	CRANKCASE-COMP Carter		1	49120-2165
1-12	5158-011-181-AX	BOLT Vis	3	3	315801-1181A
1-13	5920-092-104-XX	SCREW Vis	2	2	92009-2104
1-14	5158-014-231-AX	SEAL-OIL Joint SPI	1	1	315801-4231A
1-15	5158-014-235-AX	SEAL-OIL Joint SPI	1	1	315801-4235A
1-16	5130-806-12X-XX	BOLT-FLANGED Vis	2	2	13080612
1-17	5130-808-28X-XX	BOLT-FLANGED Vis	2	2	13080828
1-18	5130-808-35X-XX	BOLT-FLANGED Vis	7	7	13080835
1-19	5130-G10-45X-XX	BOLT-FLANGED Vis	5	5	130G1045
1-20	5551-A08-16X-XX	PIN-DOWEL Pion	2	2	551A0816
1-21	5601-A62-04X-XX	BEARING-BALL, 6204 Roulement à billes	1	1	601A6204
1-22	5601-A62-06X-XX	BEARING-BALL Roulement à billes	2	2	601A6206

Fig. 2 PISTON/CRANKSHAFT  
Piston/Vilebrequin

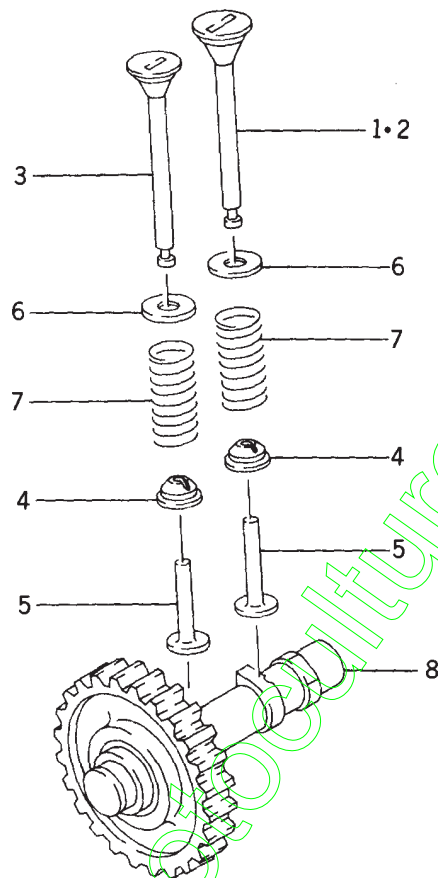
E0120-2013B



Ref. No. Réf. No.	Parts No. Pièces No.	Description Désignation	Q'ty Quant.		Remarks Remarques
			A	A-S	
2-1	5130-012-088-XX	PISTON-ENGINE Piston	1	1	13001-2088
2-2	5130-022-068-XX	PIN-PISTON Axe de piston	1	1	13002-2068
2-3	5158-013-010-BX	RING-SET-PISTON Jeu de segments	1	1	315801-3010B
2-4	5130-252-071-XX	RING-SET-PISTON L, 0. 25 Jeu de segments	AR	AR	13025-2071
2-5	5130-252-072-XX	RING-SET-PISTON L, 0. 50 Jeu de segments	AR	AR	13025-2072
2-6	5130-292-075-XX	PISTON-ENGINE L, 0. 25 Piston	AR	AR	13029-2075
2-7	5130-292-076-XX	PISTON-ENGINE L, 0. 50 Piston	AR	AR	13029-2076
2-8	5158-013-240-BX	ROD-ASSY-CONNECTING Bielle	1	1	315801-3240B
2-9	5158-013-245-AX	BOLT Vis	2	2	315801-3245A
2-10	5491-196-002-XX	CRANKSHAFT-ASSY Ens. vilebrequin	1	1	49119-6002
2-11	5590-562-010-XX	GEAR-HELICAL Pignon	1	1	59056-2010
2-12	5920-382-077-XX	KEY Clavette	1	1	92038-2077
2-13	5158-013-122-AX	RING-SNAP Circlips	2	2	315801-3122A

**Fig. 3 VALVE/CAMSHAFT**  
**Soupape/Arbre à cames**

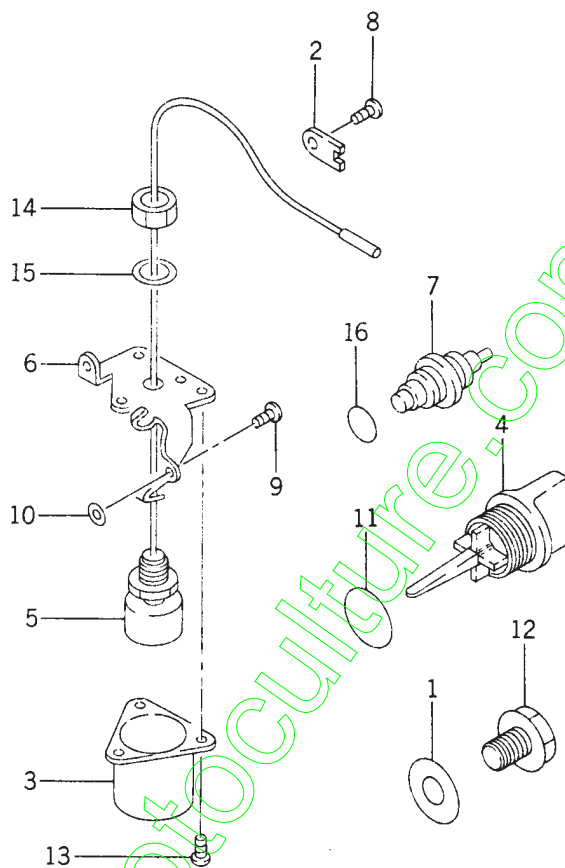
E0130-2004C



Ref. No. Réf. No.	Parts No. Pièces No.	Description Désignation	Q'ty Quant.		Remarks Remarques
			A	A-S	
3-1	5120-042-074-XX	VALVE-INTAKE Soupape d'admission		1	12004-2074
3-2	5120-042-088-XX	VALVE-INTAKE Soupape d'admission	1		12004-2088
3-3	5158-012-112-AX	VALVE-EXHAUST Soupape d'échappement	1	1	315801-2112A
3-4	5158-012-116-AX	RETAINER-VALVE SPRING Coupelle	2	2	315801-2116A
3-5	5158-012-211-AX	TAPPET Poussoir	2	2	315801-2211A
3-6	5158-012-121-AX	SEAT-SPRING Coupelle	2	2	315801-2121A
3-7	5158-012-113-AX	SPRING-ENGINE VALVE Ressort	2	2	315801-2113A
3-8	5491-186-005-XX	CAMSHAFT-COMP Arbre à cames	1	1	49118-6005

Fig. 4 LUBRICATION-EQUIPMENT  
Lubrification

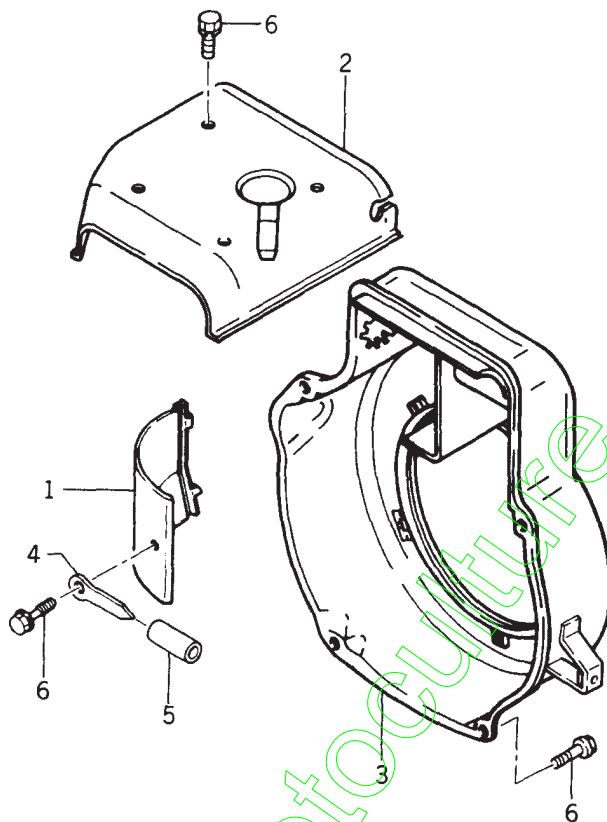
E0140-2055B



Ref. No. Réf. No.	Parts No. Pièces No.	Description Désignation	Q'ty Quant.		Remarks Remarques
			A	A-S	
4-1	5154-707-214-AX	GASKET Joint	2	2	315470-7214A
4-2	5158-715-125-AX	PLATE Plaque	1	1	315871-5125A
4-3	5160-202-074-XX	CHAMBER-FLOAT Chambre du flotteur	1	1	16020-2074
4-4	5161-152-051-XX	CAP-OIL FILLER Huile de charge	1	1	16115-2051
4-5	5211-762-060-XX	SENSOR Detecteur	1	1	21176-2060
4-6	5320-592-068-XX	BRACKET-SWITCH Support	1	1	32059-2068
4-7	5592-212-123-XX	CONNECTOR-CORD Connecteur	1	1	59221-2123
4-8	5144-053-091-BX	SCREW Vis	1	1	314405-3091B
4-9	5920-092-136-XX	SCREW Vis	2	2	92009-2136
4-10	5920-262-154-XX	SPACER Pièce d'écartement	2	2	92026-2154
4-11	5920-552-064-XX	RING-O Joint torique	1	1	92055-2064
4-12	5920-662-101-XX	PLUG Bouchon	2	2	92066-2101
4-13	5220-803-06X-XX	SCREW-PAN-CROS Vis	3	3	22080306
4-14	5315-B12-00X-XX	NUT-HEX-FINE Ecrou	1	1	315B1200
4-15	5410-B12-00X-XX	W-PLAIN-S Rondelle	1	1	410B1200
4-16	5670-B20-15X-XX	RING-O Joint torique	1	1	670B2015

Fig. 5 COOLING-EQUIPMENT  
Refroidissement

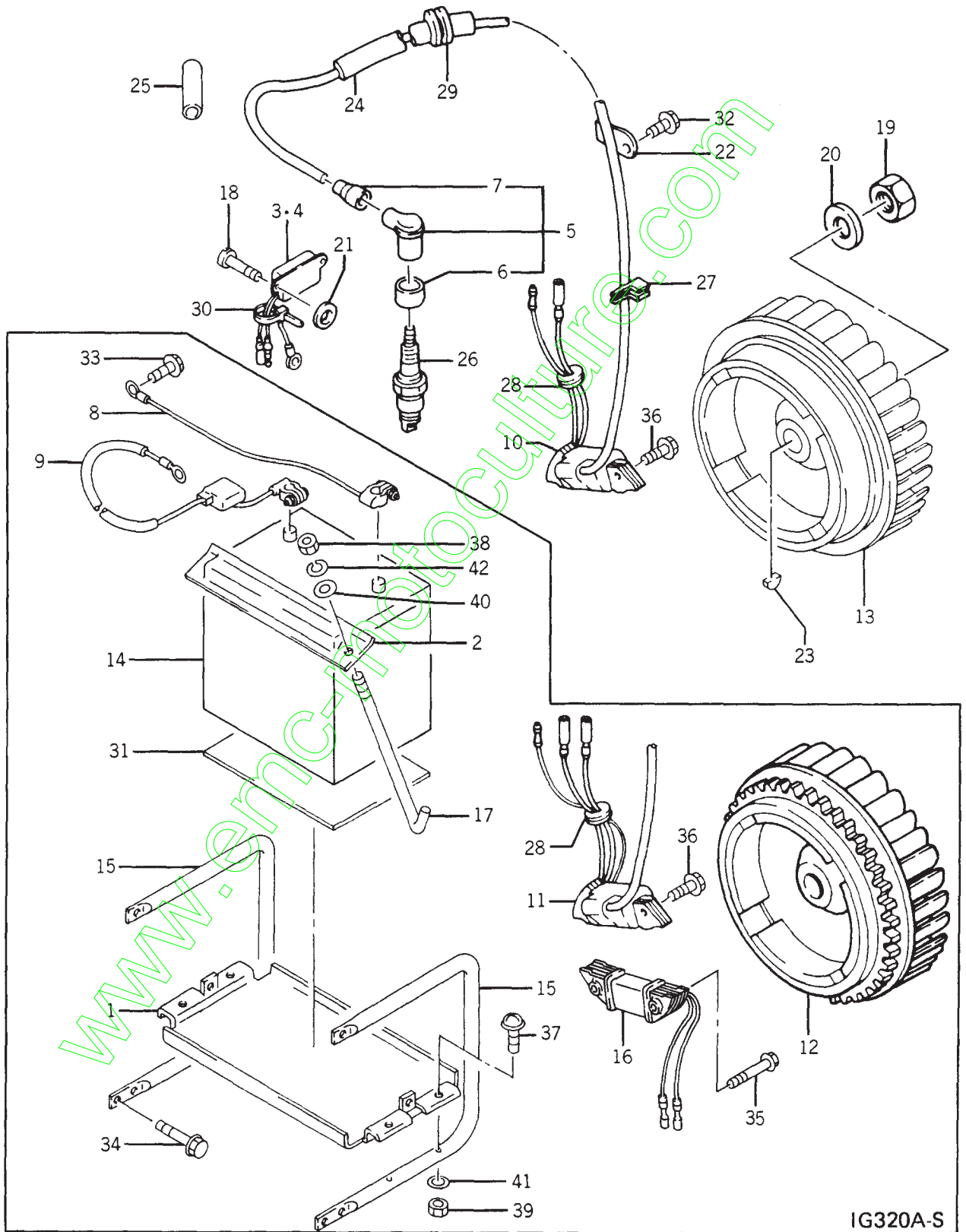
E0150-2062B



Ref. No. Réf. No.	Parts No. Pièces No.	Description Désignation	Q' ty Quant.		Remarks Remarques
			A	A-S	
5-1	5490-892-097-9H	SHROUD-ENGINE Capot	1	1	49089-2097-9H
5-2	5490-892-185-9H	SHROUD-ENGINE Capot	1	1	49089-2185-9H
5-3	5590-662-413-9H	HOUSING-FAN Capot de ventilation	1	1	59066-2413-9H
5-4	5920-372-063-XX	CLAMP Attache	1	1	92037-2063
5-5	5136-428-167-00	TUBE, 5x6x55 Tuyau	1	1	313642-8167-00
5-6	5130-806-12X-XX	BOLT-FLANGED Vis	9	9	13080612

Fig. 6 ELECTRIC-EQUIPMENT  
Électricité

E0160-2268A



IG320A-S



FIG. 6 ELECTRIC-EQUIPMENT  
Électricité

Ref. No. Réf. No.	Parts No. Pièces No.	Description Désignation	Q'ty Quant.		Remarks Remarques
			A	A-S	
6-1	5131-692-384-9H	PLATE Plaque		1	13169-2384-9H
6-2	5140-202-007-9H	RETAINER Coupelle		1	14020-2007-9H
6-3	5211-192-096-XX	IGNITER Bougie d'allumage	1		21119-2096
6-4	5211-192-097-XX	IGNITER Bougie d'allumage		1	21119-2097
6-5	5144-938-412-AX	CAP-SPARK PLUG Capuchon	1		314493-8412A
6-6	5119-018-413-AX	-COVER Capot	1	1	311901-8413A
6-7	5144-938-415-AX	-GROMMET Passe-fil	1	1	314493-8415A
6-8	5211-332-059-XX	CORD Cable		1	21133-2059
6-9	5956-048-571-AX	CORD Cable		1	395604-8571A
6-10	5211-712-066-XX	COIL-ASSY-IGNITION Bobine d'allumage	1		21171-2066
6-11	5158-138-103-AX	COIL-ASSY-IGNITION Bobine d'allumage		1	315813-8103A
6-12	5211-932-062-XX	FLYWHEEL-ASSY Volant		1	21193-2062
6-13	5211-942-127-XX	FLYWHEEL-COMP Volant	1		21194-2127
6-14	5956-868-550-BX	BATTERY Batterie		1	395686-8550B
6-15	5310-112-068-9H	FRAME Carcasse		2	31011-2068-9H
6-16	5590-312-055-XX	COIL-CHARGING Bobine de charge		1	59031-2055
6-17	5956-003-488-AX	BOLT Vis		2	395600-3488A
6-18	5156-016-732-AX	SCREW Vis	2	2	315601-6732A
6-19	5920-152-157-XX	NUT (M14-R) Ecrou	1	1	92015-2157
6-20	5144-013-482-AX	WASHER Rondelle	1	1	314401-3482A
6-21	5158-016-625-AX	WASHER Rondelle	4	4	315801-6625A
6-22	5920-372-016-XX	CLAMP Attache	1	1	92037-2016
6-23	5920-382-077-XX	KEY Clavette	1	1	92038-2077
6-24	5136-2A8-168-00	TUBE Tuyau	1	1	31362A-8168-00
6-25	5920-592-009-XX	TUBE, 9x10x40 Tuyau	1	1	92059-2009
6-26	5920-702-061-XX	PLUG-SPARK, BPR4HS (NGK) Bougie	1	1	92070-2061
6-27	5158-018-164-AX	GROMMET Passe-fil	1	1	315801-8164A
6-28	5920-712-053-XX	GROMMET Passe-fil	1	1	92071-2053
6-29	5920-712-082-XX	GROMMET Passe-fil	1	1	92071-2082
6-30	5166-448-577-AX	BAND Bande	1	1	316644-8577A
6-31	5956-860-183-AX	DAMPER Caoutchouc		1	395686-0183A
6-32	5130-B06-12X-XX	BOLT-FLANGED Vis	1	1	130B0612
6-33	5130-B08-10X-XX	BOLT-FLANGED Vis		1	130B0810
6-34	5130-J08-16X-XX	BOLT-FLANGED Vis		2	130J0816
6-35	5180-B06-30X-XX	BOLT-UPSET-WS Vis		2	180B0630
6-36	5187-B06-25X-XX	BOLT-UPSET-WSP Vis	2	2	187B0625
6-37	5224-C05-25X-XX	SCREW-PAN-WP-CROS Vis		4	224C0525
6-38	5311-B06-00X-XX	NUT-HEX Ecrou		2	311B0600
6-39	5311-C05-00X-XX	NUT-HEX Ecrou		4	311C0500
6-40	5411-B06-00X-XX	WASHER-PLAIN Rondelle		2	411B0600
6-41	5411-F05-00X-XX	WASHER-PLAIN Rondelle		4	411F0500
6-42	5461-F06-00X-XX	WASHER-SPRING Rondelle frein		2	461F0600

Fig. 7 CONTROL-EQUIPMENT  
Commandes

E0170-2062B

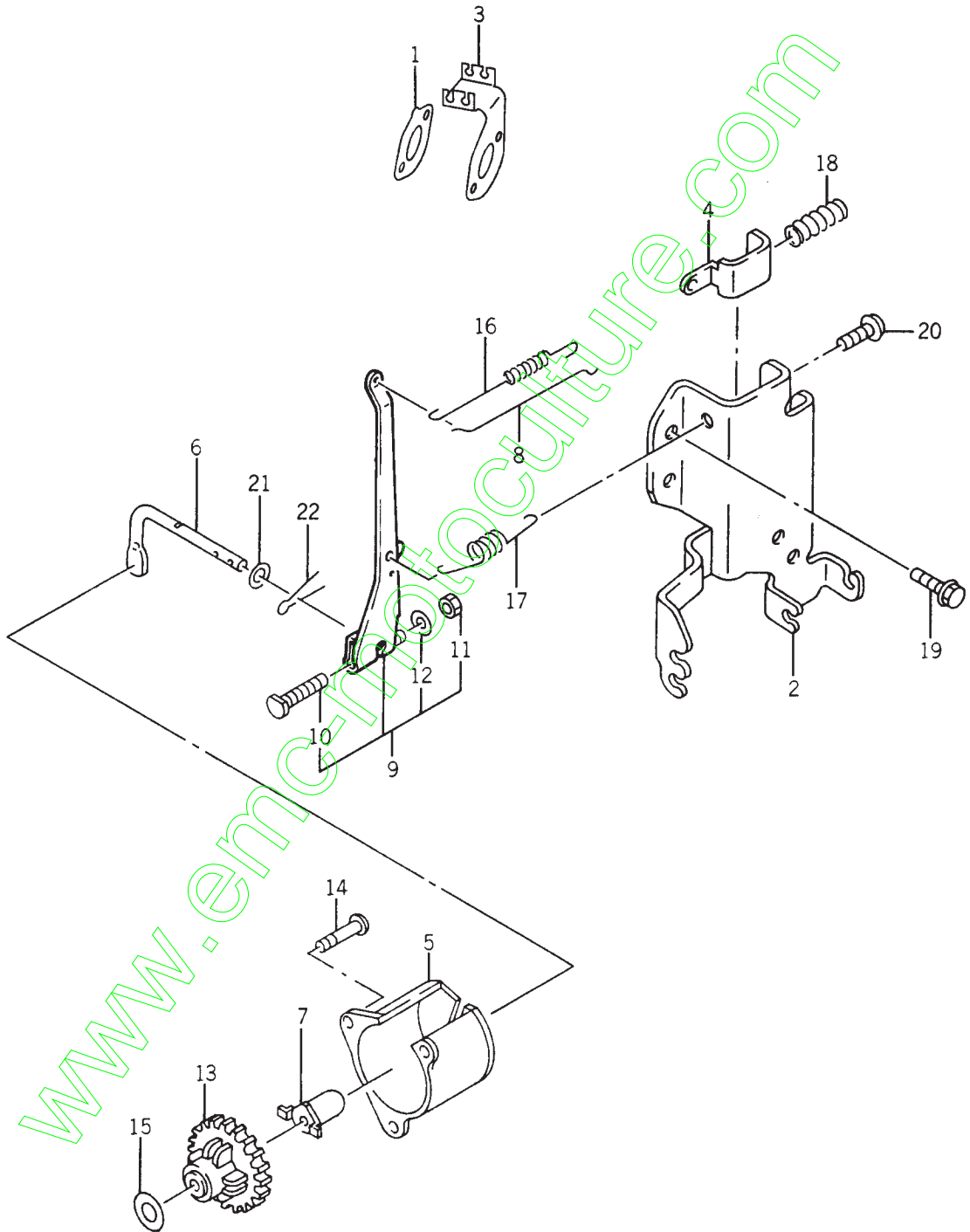


FIG. 7 CONTROL-EQUIPMENT  
Commandes

Ref. No. Réf. No.	Parts No. Pièces No.	Description Désignation	Q'ty Quant.		Remarks Remarques
			A	A-S	
7-1	5158-221-332-AX	GASKET Joint	1	1	315822-1332A
7-2	5110-432-102-XX	BRACKET Support	1	1	11043-2102
7-3	5158-715-514-AX	BRACKET Support	1	1	315871-5514A
7-4	5131-682-082-XX	LEVER, CONTROL Levier de réglage	1	1	13168-2082
7-5	5140-242-067-XX	COVER Capot	1	1	14024-2067
7-6	5390-032-053-XX	ARM-PIVOT Bras	1	1	39003-2053
7-7	5144-015-121-8X	SLEEVE Bague	1	1	314401-5121B
7-8	5158-015-231-8X	ROD-GOVERNOR Tige	1	1	315801-5231B
7-9	5491-036-004-XX	ARM-GOVERNOR Levier	1	1	49103-6004
7-10	5920-022-269-XX	-BOLT Vis	1	1	92002-2269
7-11	5311-806-00X-XX	-NUT-HEX Ecrou	1	1	31180600
7-12	5411-806-00X-XX	-WASHER-PLAIN Rondelle	1	1	41180600
7-13	5158-015-110-AX	GOVERNOR-ASSY Ens. régulateur	1	1	315801-5110A
7-14	5144-053-092-AX	SCREW Vis	3	3	314405-3092A
7-15	5920-222-135-XX	WASHER Rondelle	1	1	92022-2135
7-16	5158-015-232-8X	SPRING Ressort	1	1	315801-5232B
7-17	5920-812-289-XX	SPRING, GOVERNOR Ressort	1	1	92081-2289
7-18	5921-442-004-XX	SPRING Ressort	1	1	92144-2004
7-19	5130-806-12X-XX	BOLT-FLANGED Vis	2	2	13080612
7-20	5224-806-25X-XX	SCREW-PAN-WP-CROS Vis	1	1	22480625
7-21	5410-806-00X-XX	W-PLAIN-S Rondelle	2	2	41080600
7-22	5554-A06-00X-XX	PIN-SNAP Goupille à ressort	1	1	554A0600

Fig. 8 CARBURETOR  
Carburateur

E0180-2029B

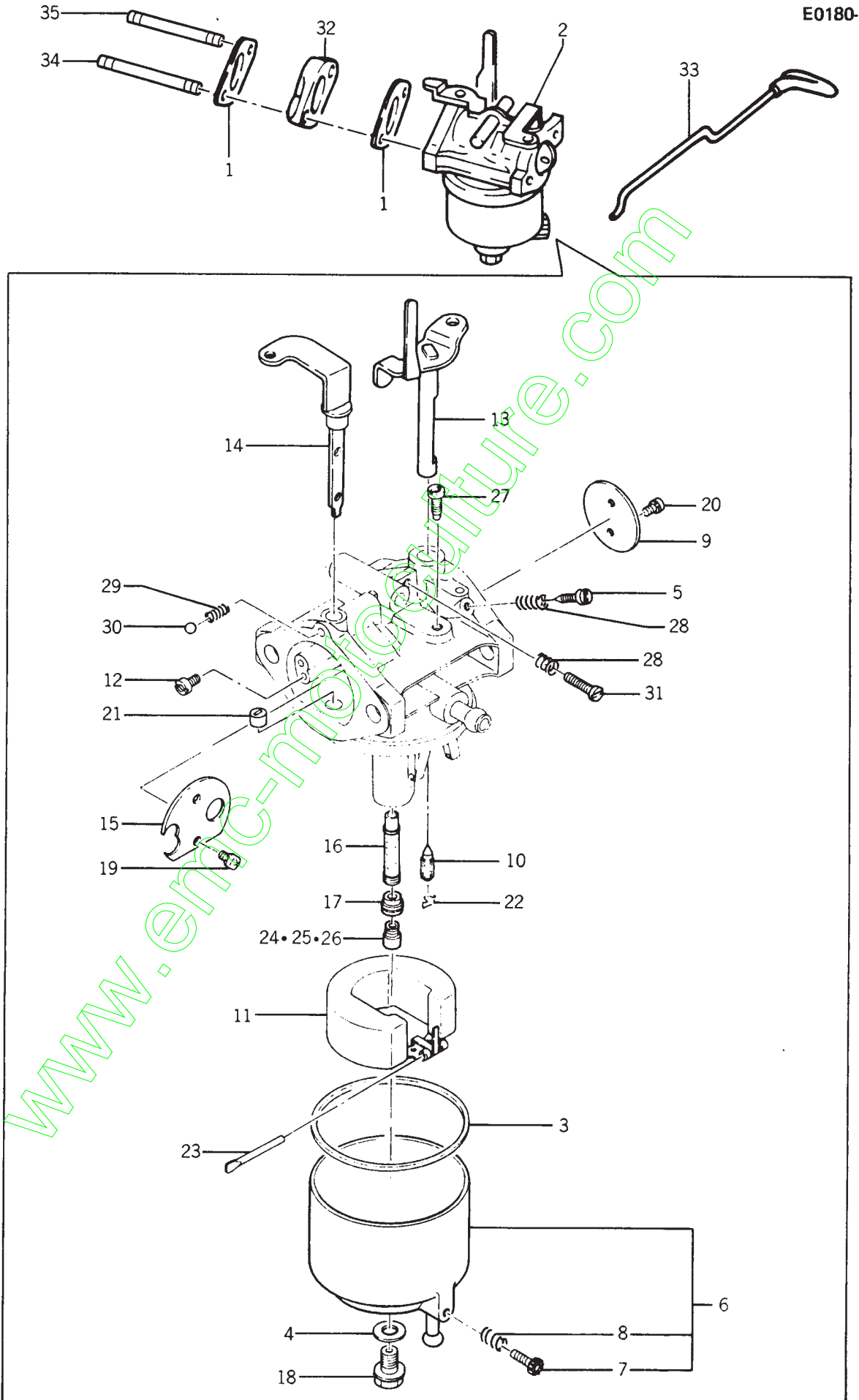




FIG. 8 CARBURETOR  
Carburateur

Ref. No. Réf. No.	Parts No. Pièces No.	Description Désignation	Q'ty Quant.		Remarks Remarques
			A	A-S	
8-1	5158-016-184-AX	GASKET Joint	2	2	315801-6184A
8-2	5150-012-667-XX	CARBURETOR-ASSY Ens. carburateur	1	1	15001-2667
8-3	5136-506-128-00	GASKET Joint	1	1	313650-6128-00
8-4	5144-996-159-AX	GASKET Joint	1	1	314499-6159A
8-5	5136-506-114-00	SCREW-PILOT AIR Vis	1	1	313650-6114-00
8-6	5160-202-083-XX	CHAMBER-FLOAT Chambre du flotteur	1	1	16020-2083
8-7	5158-226-133-AX	SCREW Vis	1	1	315822-6133A
8-8	5131-226-116-00	SPRING Ressort	1	1	313122-6116-000
8-9	5166-706-101-AX	VALVE-THROTTLE, #110 Boisseau	1	1	316670-6101A
8-10	5158-236-122-AX	VALVE-FLOAT Soupape	1	1	315823-6122A
8-11	5158-016-126-AX	FLOAT Flotteur	1	1	315801-6126A
8-12	5135-506-113-10	JET-AIR, #1.4 Gicleur	1	1	313550-6113-10
8-13	5160-412-124-XX	SHAFT-CARBURETOR, THROTTLE Axe papillon	1	1	16041-2124
8-14	5160-412-125-XX	SHAFT-CARBURETOR, CHOKE Axe volet d'air	1	1	16041-2125
8-15	5158-016-102-AX	VALVE Soupape	1	1	315801-6102A
8-16	5157-216-129-AX	NOZZLE-MAIN, #6A Gicleur principal	1	1	315721-6129A
8-17	5157-216-155-AX	HOLDER-MAIN JET Support	1	1	315721-6155A
8-18	5145-966-143-AX	BOLT Vis	1	1	314596-6143A
8-19	5145-726-137-AX	SCREW Vis	2	2	314572-6137A
8-20	5165-506-137-AX	SCREW Vis	2	2	316550-6137A
8-21	5145-986-138-AX	COLLAR Entretoise	1	1	314598-6138A
8-22	5157-216-134-AX	RING-SNAP Circlips	1	1	315721-6134A
8-23	5144-996-127-AX	PIN Axe	1	1	314499-6127A
8-24	5155-906-132-AX	JET-MAIN, #90 Gicleur principal	AR	AR	315590-6132A
8-25	5158-016-132-AX	JET-MAIN, #87.5 Gicleur principal	AR	AR	315801-6132A
8-26	5920-632-094-XX	JET-MAIN, #91.3 Gicleur principal	1	1	92063-2094
8-27	5136-506-112-00	JET-PILOT, #45 Vis de mélange	1	1	313650-6112-00
8-28	5127-506-116-00	SPRING Ressort	2	2	312750-6116-00
8-29	5131-226-103-00	SPRING Ressort	1	1	313122-6103-00
8-30	5131-226-104-00	BALL Bille	1	1	313122-6104-00
8-31	5214-804-14X-XX	SCREW-PAN+- Vis	1	1	21480414
8-32	5158-016-181-AX	INSULATOR Ecran thermique	1	1	315801-6181A
8-33	5158-715-513-AX	LINK-CHOKE Tige	1	1	315871-5513A
8-34	5920-042-086-XX	STUD Goujon	1	1	92004-2086
8-35	5920-042-087-XX	STUD Goujon	1	1	92004-2087

Fig. 9 AIR-FILTER/MUFFLER  
Filtre à air/Echappement

E0190-2077C

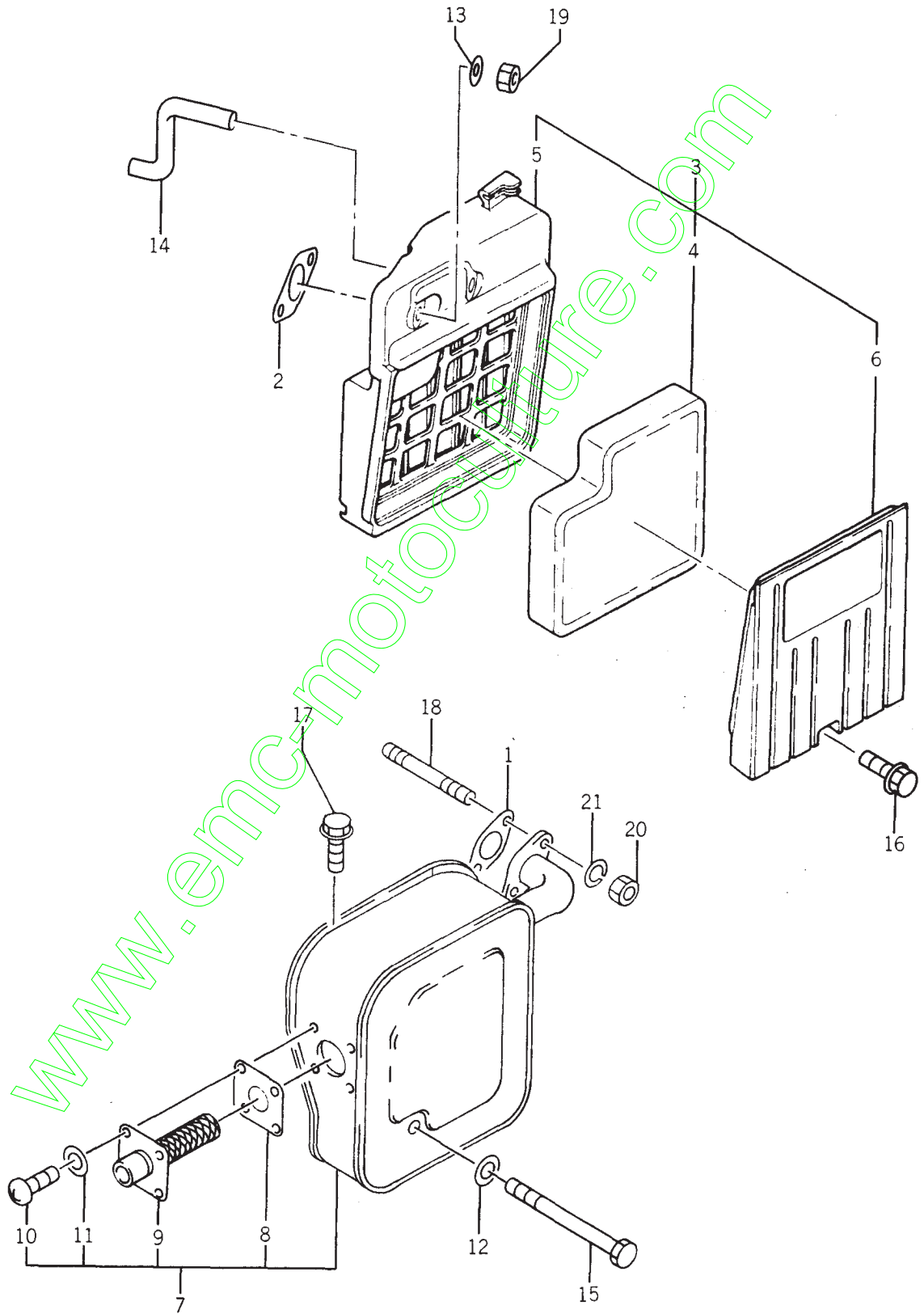
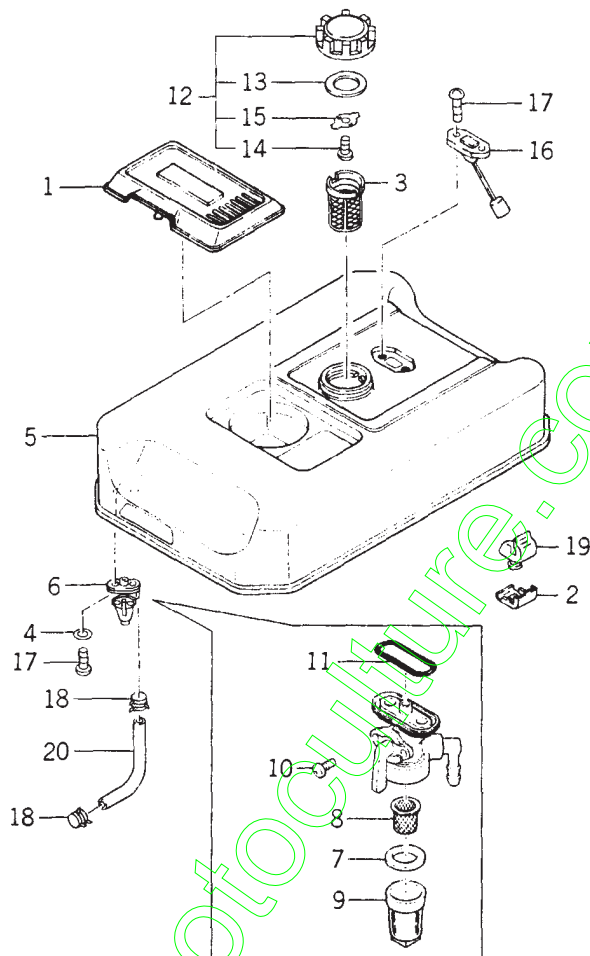


FIG. 9 AIR-FILTER/MUFFLER  
Filtre à air/Echappement

Ref. No. Réf. No.	Parts No. Pièces No.	Description Désignation	Q'ty Quant.		Remarks Remarques
			A	A-S	
9-1	5110-092-128-XX	GASKET, MUFFLER Joint	1	1	11009-2128
9-2	5158-221-332-AX	GASKET Joint	1	1	315822-1332A
9-3	5110-102-226-XX	FILTER-ASSY-AIR Ens. filtre à air	1	1	11010-2226
9-4	5110-132-088-XX	-ELEMENT-AIR FILTER Element	1	1	11013-2088
9-5	5110-382-052-XX	-CASE-ASSY-AIR FILTER Boitier	1	1	11038-2052
9-6	5140-252-161-XX	-COVER, AIR FILTER Capot	1	1	14025-2161
9-7	5490-692-113-XX	MUFFLER-ASSY Ens. echappement	1	1	49069-2113
9-8	5110-092-375-XX	-GASKET, SPARK ARRESTER Joint	1	1	11009-2375
9-9	5180-772-062-XX	-ARRESTER-SPARK Pare-étincelle	1	1	18077-2062
9-10	5144-053-092-AX	-SCREW Vis	4	4	314405-3092A
9-11	5410-804-00X-XX	-W-PLAIN-S Rondelle	4	4	41080400
9-12	5142-922-383-00	WASHER Rondelle	1	1	314292-2383-00
9-13	5920-222-136-XX	WASHER Rondelle	2	2	92022-2136
9-14	5920-592-162-XX	TUBE Tuyau	1	1	92059-2162
9-15	5115-808-90X-XX	BOLT-SMALL-UPSET Vis	1	1	11580890
9-16	5130-806-16X-XX	BOLT-FLANGED Vis	1	1	13080616
9-17	5130-808-20X-XX	BOLT-FLANGED Vis	1	1	13080820
9-18	5171-608-18X-XX	BOLT-STUD Goujon	2	2	17160818
9-19	5311-C06-00X-XX	NUT-HEX Ecrou	2	2	311C0600
9-20	5317-R08-00X-XX	NUT-HEX-SMALL Ecrou	2	2	317R0800
9-21	5461-F08-00X-XX	WASHER-SPRING Rondelle frein	2	2	461F0800

**Fig. 10 FUEL-TANK/FUEL-VALVE**  
**Reservoir/Robinet à carburant**

E0200-2013C



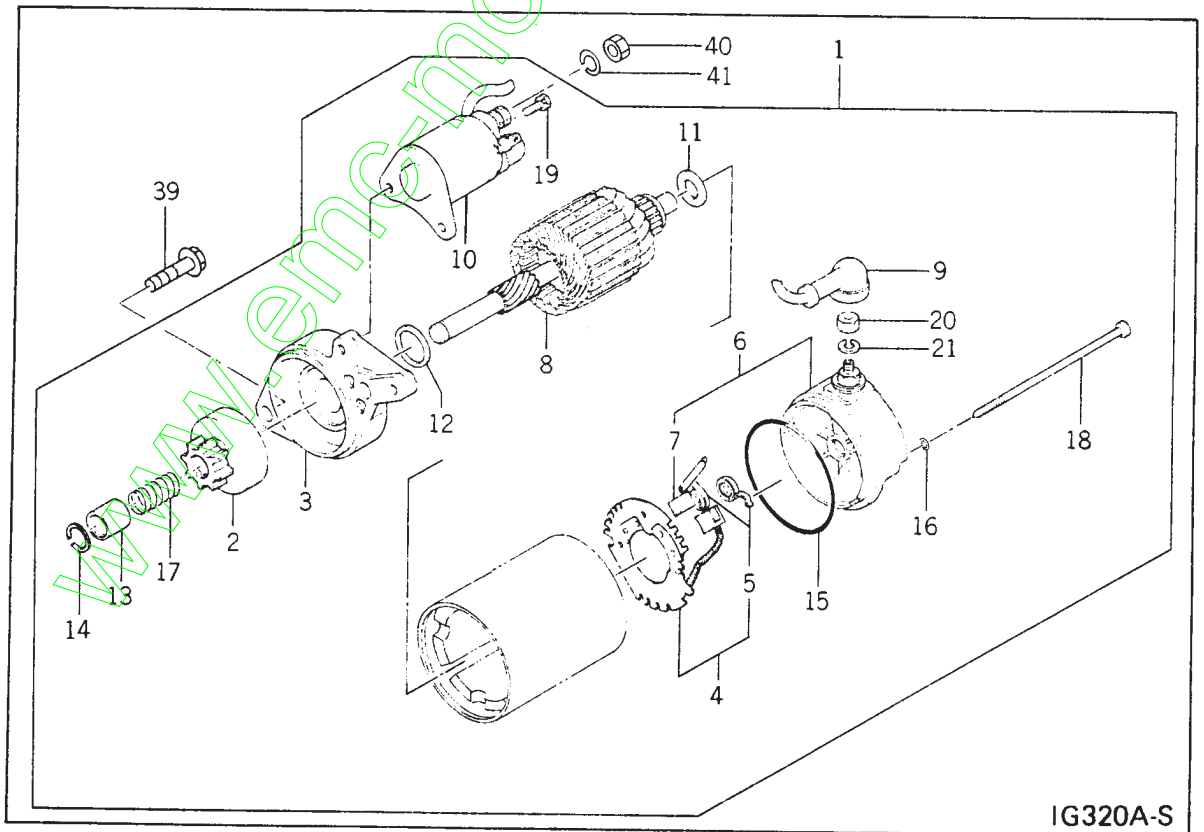
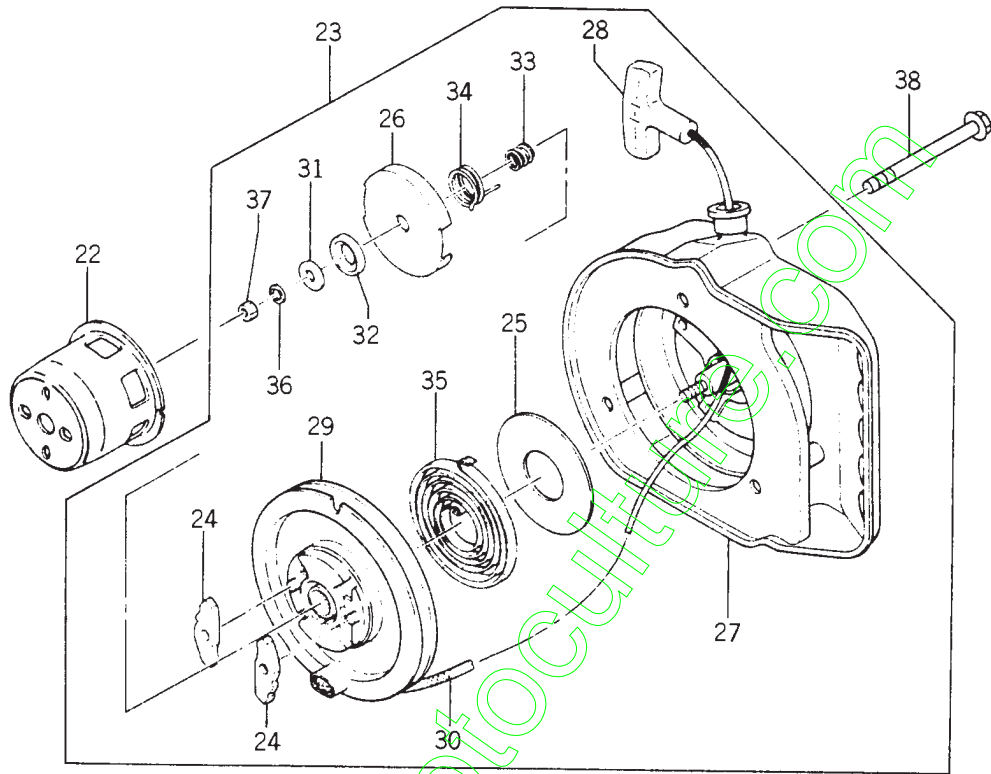
Ref. No. Réf. No.	Parts No. Pièces No.	Description Désignation	Q' ty Quant.		Remarks Remarques
			A	A-S	
10-1	5110-122-133-XX	CAP Capuchon	1	1	11012-2133
10-2	5320-522-132-XX	BRACKET-TANK Support	4	4	32052-2132
10-3	5956-866-661-AX	FILTER-FUEL Robinet	1	1	395686-6661A
10-4	5490-912-053-XX	WASHER-SEAL Rondelle	2	2	49091-2053
10-5	5510-012-144-ZN	TANK-COMP-FUEL Reservoir	1	1	51001-2144-ZN
10-6	5510-232-096-XX	TAP-ASSY Ens. robinet	1	1	51023-2096
10-7	5158-016-518-AX	-GASKET Joint	1	1	315801-6518A
10-8	5158-016-519-AX	-FILTER Robinet	1	1	315801-6519A
10-9	5510-362-062-XX	-CUP Cuve	1	1	51036-2062
10-10	5920-091-123-XX	-SCREW Vis	2	2	92009-1123
10-11	5158-016-512-AX	-RING-O Joint torique	1	1	315801-6512A
10-12	5510-482-055-XX	CAP-ASSY-TANK Ens. capuchon	1	1	51048-2055
10-13	5158-016-643-BX	-GASKET Joint	1	1	315801-6643B
10-14	5144-016-732-AX	-SCREW Vis	2	2	314401-6732A
10-15	5158-016-644-AX	-SPRING Ressort	1	1	315801-6644A
10-16	5520-052-073-XX	GAUGE, FUEL Jauge	1	1	52005-2073
10-17	5158-016-577-AX	SCREW Vis	4	4	315801-6577A
10-18	5136-796-812-00	CLAMP Attache	2	2	313679-6812-00
10-19	5920-752-083-XX	DAMPER Caoutchouc	4	4	92075-2083
10-20	5702-A04-100-0X	TUBE-RUBBER, L=125MM Tuyau	1	1	702A041000





Fig. 11 STARTER  
Démarreur/Lanceur

E0210-2034B



IG320A-S

FIG. 11 STARTER  
Démarreur/Lanceur

Ref. No. Réf. No.	Parts No. Pièces No.	Description Désignation	Q'ty Quant.		Remarks Remarques
			A	A-S	
11-1	5211-632-078-XX	STARTER-ELECTRIC Démarreur		1	21163-2078
11-2	5130-812-080-XX	-CLUTCH-ASSY Embrayage		1	13081-2080
11-3	5132-272-065-XX	-HOUSING Logement		1	13227-2065
11-4	5140-792-055-XX	-HOLDER-ASSY Ens. support		1	14079-2055
11-5	5210-401-051-XX	-SPRING-BRUSH Ressort		2	21040-1051
11-6	5161-462-071-XX	-COVER-ASSY Ens. capot		1	16146-2071
11-7	5210-392-054-XX	-BRUSH Balai		1	21039-2054
11-8	5210-802-060-XX	-ARMATURE Armature		1	21080-2060
11-9	5260-112-183-XX	-WIRE-LEAD Fil		1	26011-2183
11-10	5270-102-154-XX	-SWITCH Interrupteur		1	27010-2154
11-11	5920-222-200-XX	-WASHER Rondelle		2	92022-2200
11-12	5920-222-201-XX	-WASHER Rondelle		1	92022-2201
11-13	5920-272-085-XX	-COLLAR Entretoise		1	92027-2085
11-14	5920-332-076-XX	-RING-SNAP Circlips		1	92033-2076
11-15	5920-551-260-XX	-RING-O Joint torique		2	92055-1260
11-16	5920-551-261-XX	-RING-O Joint torique		2	92055-1261
11-17	5920-812-288-XX	-SPRING Ressort		1	92081-2288
11-18	5921-501-236-XX	-BOLT Vis		2	92150-1236
11-19	5223-805-12X-XX	-SCREW-PAN-WS-CROS Vis		2	22380512
11-20	5312-806-00X-XX	-NUT-HEX Ecrou		1	31280600
11-21	5461-F06-00X-XX	-WASHER-SPRING Rondelle frein		1	461F0600
11-22	5490-802-111-XX	PULLEY-STARTING Boi	1	1	49080-2111
11-23	5490-882-200-9H	STARTER-RECOIL Lanceur	1	1	49088-2200-9H
11-24	5164-203-445-8X	-Pawl Cliquet	2	2	316420-3445B
11-25	5131-692-409-XX	-PLATE, RECOIL STARTER Plaque	1	1	13169-2409
11-26	5164-203-449-8X	-RETAINER Coupelle	1	1	316420-3449B
11-27	5320-992-074-9H	-CASE, RECOIL STARTER Boîtier	1	1	32099-2074-9H
11-28	5460-752-057-XX	-GRIP, RECOIL STARTER Poignée	1	1	46075-2057
11-29	5164-513-441-AX	-REEL Poulie	1	1	316451-3441A
11-30	5164-203-453-AX	-ROPE, 6x1620 Corde	1	1	316420-3453A
11-31	5164-203-442-8X	-WASHER Rondelle	1	1	316420-3442B
11-32	5164-513-456-AX	-WASHER Rondelle	1	1	316451-3456A
11-33	5164-203-446-AX	-SPRING Ressort	1	1	316420-3446A
11-34	5164-203-448-AX	-SPRING Ressort	1	1	316420-3448A
11-35	5188-633-452-00	-SPRING Ressort spiral	1	1	318863-3452-00
11-36	5461-F06-00X-XX	-WASHER-SPRING Rondelle frein	1	1	461F0600
11-37	5311-806-00X-XX	-NUT-HEX Ecrou	1	1	31180600
11-38	5130-C06-75X-XX	BOLT-FLANGED Vis	3	3	130C0675
11-39	5183-808-25X-XX	BOLT-UPSET-WS-SMALL Vis		2	18380825
11-40	5312-806-00X-XX	NUT-HEX Ecrou		1	31280600
11-41	5461-F06-00X-XX	WASHER-SPRING Rondelle frein		1	461F0600

Fig. 12 GENERATOR  
Générateur

F0110-2020B

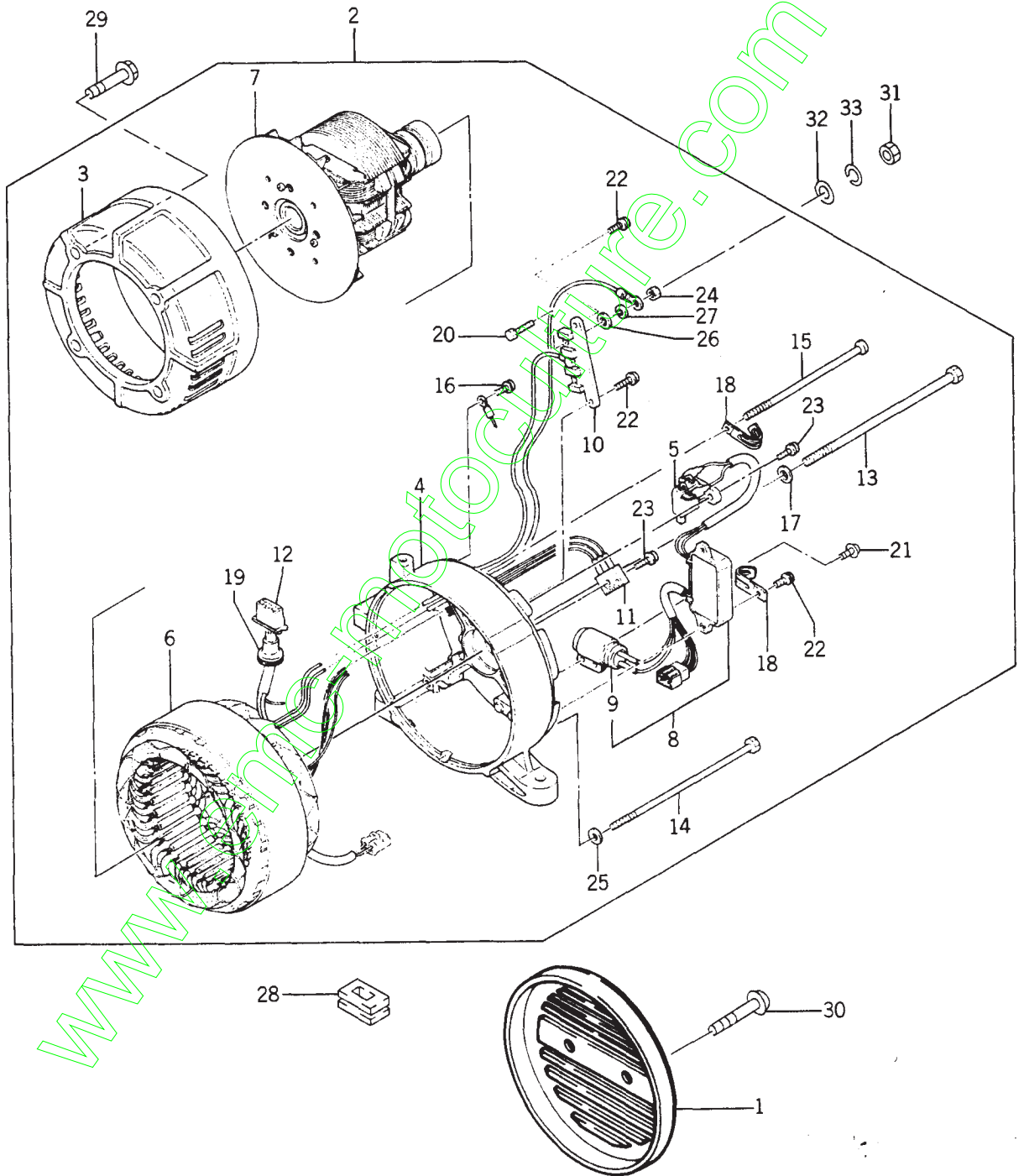




FIG. 12 GENERATOR  
Générateur

Ref. No. Réf. No.	Parts No. Pièces No.	Description Désignation	Q'ty Quant.		Remarks Remarques
			A	A-S	
12-1	5140-312-058-9H	COVER-GENERATOR Couvercle	1	1	14031-2058-9H
12-2	5210-012-136-XX	GENERATOR Générateur	1	1	21001-2136
12-3	5132-272-062-XX	-HOUSING, FR Logement avant	1	1	13227-2062
12-4	5132-272-063-XX	-HOUSING, RR Logement arrière	1	1	13227-2063
12-5	5140-792-056-XX	-HOLDER-ASSY Ens. support	1	1	14079-2056
12-6	5210-032-097-XX	-STATOR Stator	1	1	21003-2097
12-7	5210-072-056-XX	-ROTOR Rotor	1	1	21007-2056
12-8	5210-662-054-XX	-REGULATOR-VOLTAGE Régulateur	1	1	21066-2054
12-9	5951-008-015-8X	--HOLDER Support	1	1	395100-8015B
12-10	5956-008-046-AX	-TERMINAL Borne	1	1	395600-8046A
12-11	5950-008-007-8X	-DIODE Diode	1	1	395000-8007B
12-12	5592-212-097-XX	-CONNECTOR-CORD Connecteur	1	1	59221-2097
12-13	5920-022-265-XX	-BOLT Vis	1	1	92002-2265
12-14	5920-022-266-XX	-BOLT Vis	4	4	92002-2266
12-15	5920-092-181-XX	-SCREW Vis	2	2	92009-2181
12-16	5920-092-268-XX	-SCREW Vis	1	1	92009-2268
12-17	5954-008-031-00	-WASHER Rondelle	1	1	395400-8031-00
12-18	5954-008-043-00	-CLAMP Attache	2	2	395400-8043-00
12-19	5951-158-038-AX	-GROMMET Passe-fil	1	1	395115-8038A
12-20	5921-502-104-XX	-BOLT Vis	2	2	92150-2104
12-21	5232-805-10X-XX	-SCREW-PAN-WS+ Vis	2	2	232B0510
12-22	5242-805-12X-XX	-SCREW-PAN-WSP+ Vis	4	4	242B0512
12-23	5242-805-16X-XX	-SCREW-PAN-WSP+ Vis	2	2	242B0516
12-24	5312-M05-00X-XX	-NUT-HEX Ecrou	2	2	312M0500
12-25	5410-806-00X-XX	-W-PLAIN-S Rondelle	4	4	410B0600
12-26	5411-805-00X-XX	-WASHER-PLAIN Rondelle	2	2	411B0500
12-27	5461-F05-00X-XX	-WASHER-SPRING Rondelle frein	2	2	461F0500
12-28	5954-008-038-00	GROMMET Passe-fil	1	1	395400-8038-00
12-29	5130-810-25X-XX	BOLT-FLANGED Vis	4	4	130B1025
12-30	5224-C05-10X-XX	SCREW-PAN-WP-CROS Vis	2	2	224C0510
12-31	5311-M05-00X-XX	NUT-HEX Ecrou	2	2	311M0500
12-32	5411-805-00X-XX	WASHER-PLAIN Rondelle	2	2	411B0500
12-33	5461-F05-00X-XX	WASHER-SPRING Rondelle frein	2	2	461F0500

Fig. 13 CONTROL-PANEL  
Panneau de commande

F0120-2072A

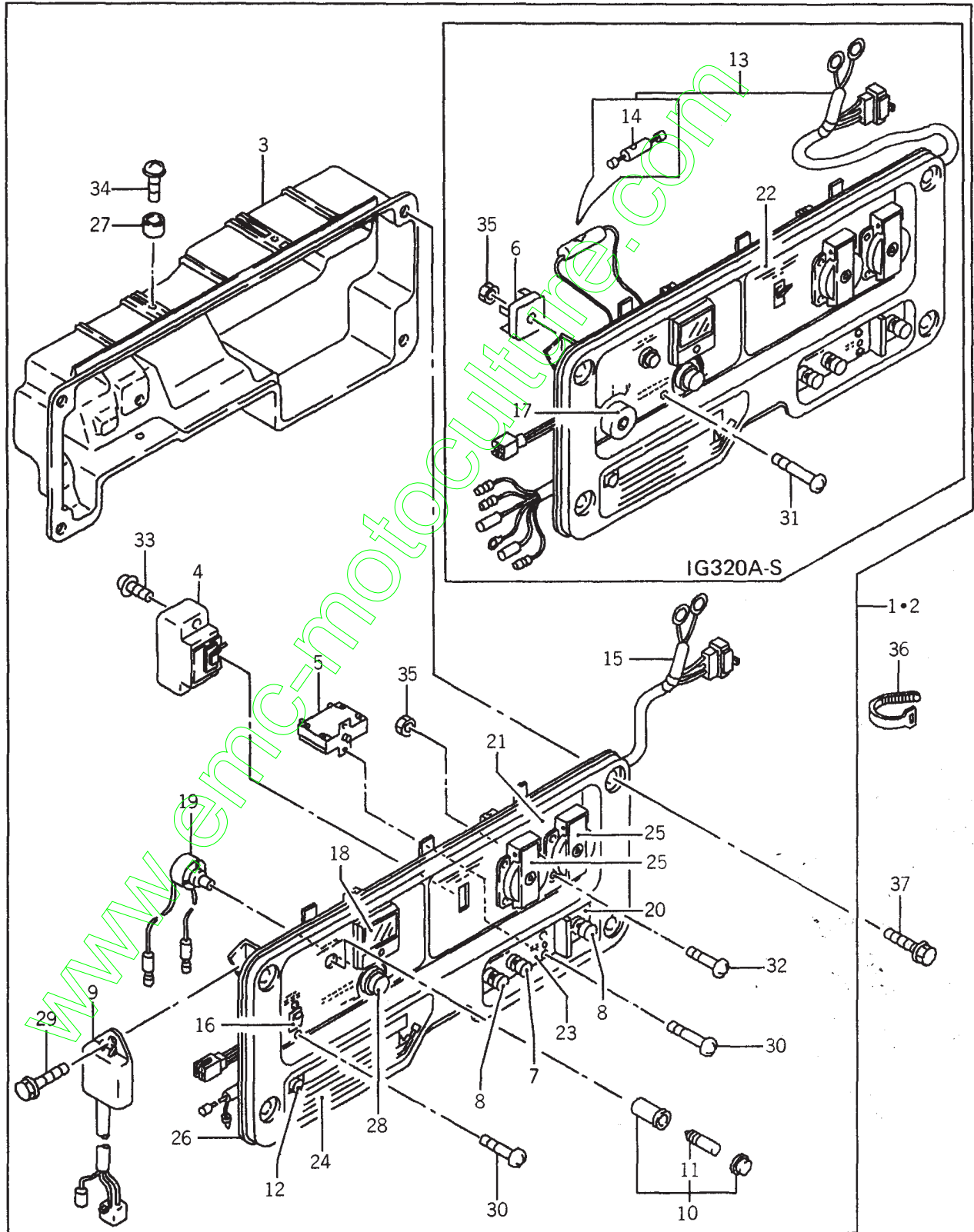
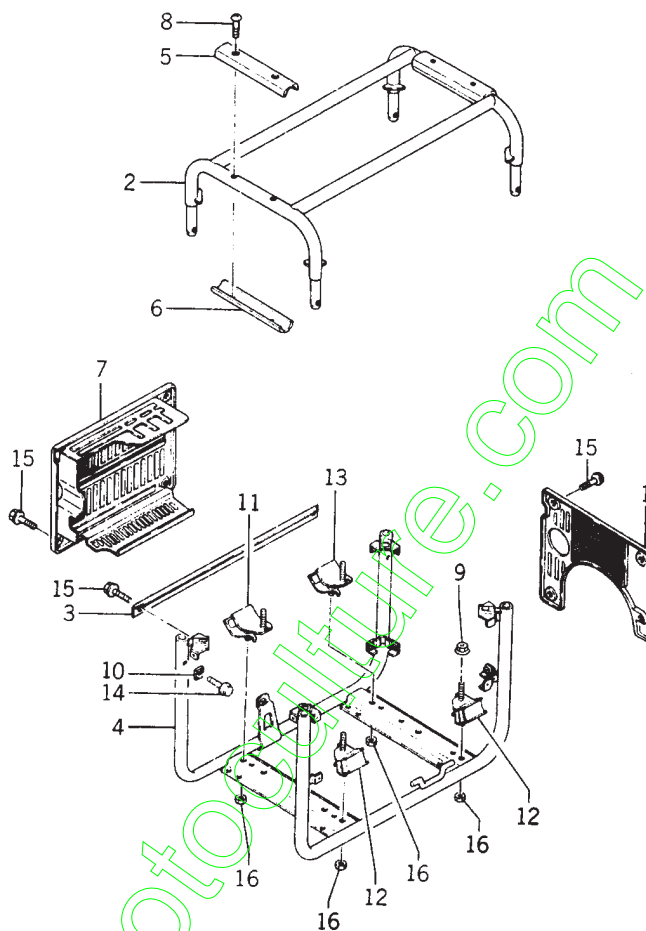


FIG. 13 CONTROL-PANEL  
Panneau de commande

Ref. No. Réf. No.	Parts No. Pièces No.	Description Désignation	Q'ty Quant.		Remarks Remarques
			A	A-S	
13-1	5391-802-578-XX	PANEL-ASSY-CONTROL Panneau de commande	1		39180-2578
13-2	5391-802-579-XX	PANEL-ASSY-CONTROL Panneau de commande		1	39180-2579
13-3	5140-252-154-XX	COVER, CONTROL PANEL Couvercle	1	1	14025-2154
13-4	5210-082-142-XX	BREAKER, 13A Rupteur	1	1	21008-2142
13-5	5956-008-106-AX	BREAKER, 12A Rupteur	1	1	395600-8106A
13-6	5210-612-062-XX	RECTIFIER Redresseur		1	21061-2062
13-7	5211-692-052-XX	TERMINAL Borne	1	1	21169-2052
13-8	5211-692-053-XX	TERMINAL Borne	2	2	21169-2053
13-9	5211-772-052-XX	CONTROLLER Commande	1	1	21177-2052
13-10	5951-009-801-BX	LAMP-ASSY Lampe témoin	1	1	395100-9801B
13-11	5951-009-802-00	BULB Bulbe	1	1	395100-9802-00
13-12	5956-009-801-BX	LAMP-ASSY Lampe témoin	1	1	395600-9801B
13-13	5260-012-146-XX	HARNESS Faisceau		1	26001-2146
13-14	5956-158-825-AX	FUSE, 5A Fusible		1	395615-8825A
13-15	5260-012-147-XX	HARNESS Faisceau	1		26001-2147
13-16	5270-102-091-XX	SWITCH Interrupteur	1		27010-2091
13-17	5956-868-511-AX	SWITCH Interrupteur		1	395686-8511A
13-18	5280-112-060-XX	METER, VOLTAGE Compteur	1	1	28011-2060
13-19	5280-182-051-XX	RESISTOR, VARIABLE Résistance	1	1	28018-2051
13-20	5560-302-027-XX	LABEL-EARTH Etiquette	1	1	56030-2027
13-21	5560-302-186-XX	LABEL Etiquette	1		56030-2186
13-22	5560-302-191-XX	LABEL Etiquette		1	56030-2191
13-23	5560-312-254-XX	LABEL-MANUAL Etiquette	1	1	56031-2254
13-24	5560-402-125-XX	LABEL-WARNING Etiquette	1	1	56040-2125
13-25	5592-212-130-XX	CONNECTOR-CORD Connecteur	2	2	59221-2130
13-26	5592-262-180-ZN	PANEL-CONTROL Panneau de commande	1	1	59226-2180-ZN
13-27	5920-272-096-XX	COLLAR, 6, 2x7, 8x5 Entretoise	4	4	92027-2096
13-28	5920-772-058-XX	KNOB Poignée	1	1	92077-2058
13-29	5186-806-10X-XX	BOLT-UPSET-WP Vis	1	1	18680610
13-30	5220-803-08X-XX	SCREW-PAN-CROS Vis	4	2	22080308
13-31	5220-804-20X-XX	SCREW-PAN-CROS Vis		1	22080420
13-32	5221-C04-12X-XX	SCREW-CSK-CROS Vis	8	8	221C0412
13-33	5225-804-35X-XX	SCREW-PAN-WSP-CROS Vis	2	2	22580435
13-34	5235-C05-10X-XX	SCREW-PAN-WP-CROS Vis	4	4	235C0510
13-35	5311-804-00X-XX	NUT-HEX Ecrou	8	9	31180400
13-36	5166-918-577-AX	BAND Bande	1	1	316691-8577A
13-37	5186-C06-12X-XX	BOLT-UPSET-WP Vis	4	4	186C0612

Fig. 14 FRAME  
Carcasse

F0280-2002C

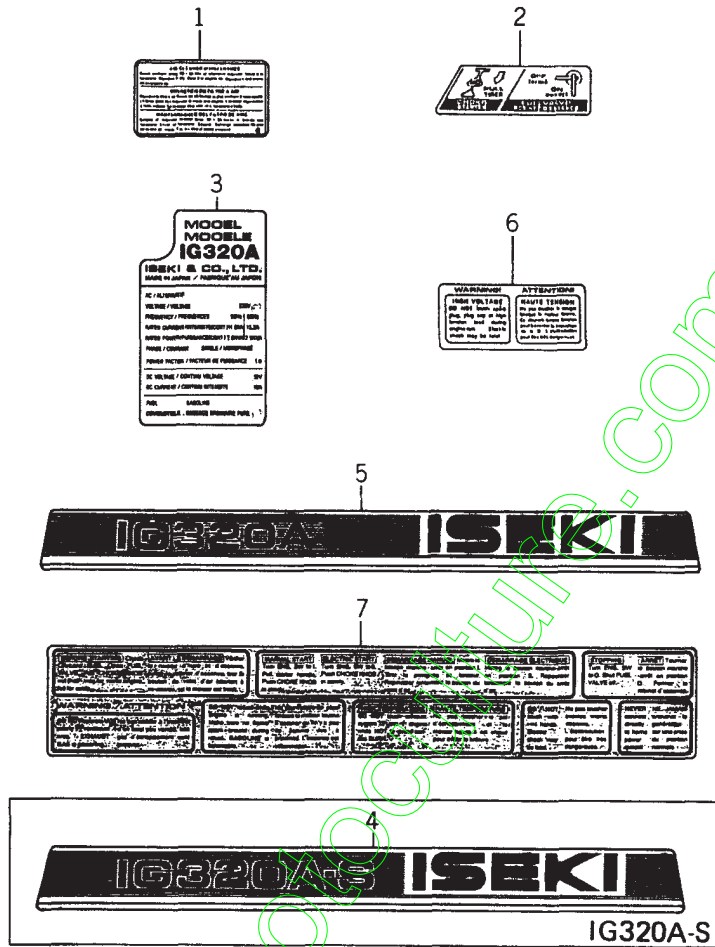


Ref. No. Réf. No.	Parts No. Pièces No.	Description Désignation	Q'ty Quant.		Remarks Remarques
			A	A-S	
14-1	5140-252-159-9H	COVER Couvercle	1	1	14025-2159-9H
14-2	5310-112-066-9H	FRAME Carcasse	1	1	31011-2066-9H
14-3	5310-112-067-9H	FRAME Carcasse	1	1	31011-2067-9H
14-4	5310-112-073-9H	FRAME Carcasse	1	1	31011-2073-9H
14-5	5460-752-054-XX	GRIP Poignée	2	2	46075-2054
14-6	5460-752-055-XX	GRIP Poignée	2	2	46075-2055
14-7	5491-062-269-9H	COVER-MUFFLER Couvercle	1	1	49106-2269-9H
14-8	5920-092-135-XX	SCREW Vis	4	4	92009-2135
14-9	5920-151-022-XX	NUT Ecrou	4	4	92015-1022
14-10	5920-222-181-XX	WASHER Rondelle	4	4	92022-2181
14-11	5920-752-089-XX	DAMPER Caoutchouc	1	1	92075-2089
14-12	5920-752-090-XX	DAMPER Caoutchouc	2	2	92075-2090
14-13	5920-752-091-XX	DAMPER Caoutchouc	1	1	92075-2091
14-14	5130-J08-16X-XX	BOLT-FLANGED Vis	4	4	130J0816
14-15	5186-C06-12X-XX	BOLT-UPSET-WP Vis	9	9	186C0612
14-16	5317-808-00X-XX	NUT-HEX-SMALL Ecrou	4	4	31780800



Fig. 15 LABEL  
Etiquette

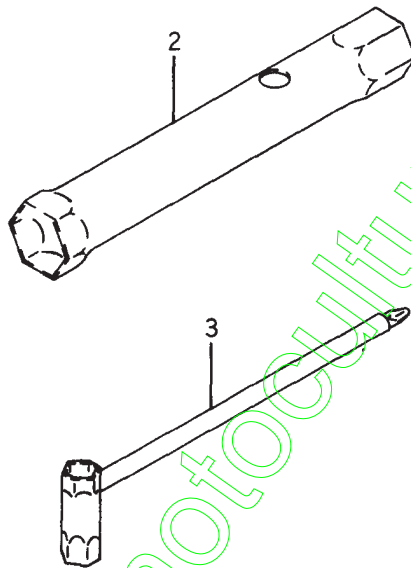
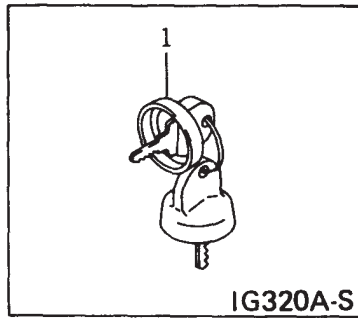
F0290-2344A



Ref. No. Réf. No.	Parts No. Pièces No.	Description Désignation	Q'ty Quant.		Remarks Remarques
			A	A-S	
15-1	5560-312-212-XX	LABEL-MANUAL Etiquette	1	1	56031-2212
15-2	5560-312-255-XX	LABEL-MANUAL Etiquette	1	1	56031-2255
15-3	5560-372-351-XX	LABEL Etiquette	1	1	56037-2351
15-4	5560-382-366-XX	LABEL-BRAND Etiquette		1	56038-2366
15-5	5560-382-367-XX	LABEL-BRAND Etiquette	1		56038-2367
15-6	5560-402-016-XX	LABEL-WARNING Etiquette	1	1	56040-2016
15-7	5560-402-126-XX	LABEL-WARNING Etiquette	1	1	56040-2126

Fig. 16 ACCESSORY  
Accessoire

F0300-2015B



Ref. No. Réf. No.	Parts No. Pièces No.	Description Désignation	Q'ty Quant.		Remarks Remarques
			A	A-S	
16-1	5956-868-321-AX	KEY-LOCK Cle		1	395686-8321A
16-2	5965-040-931-AX	TOOL-WRENCH Clef plate	1	1	396504-0931A
16-3	5965-860-931-AX	TOOL-WRENCH Clef plate	1	1	396586-0931A

[www.emc-motoculture.com](http://www.emc-motoculture.com)