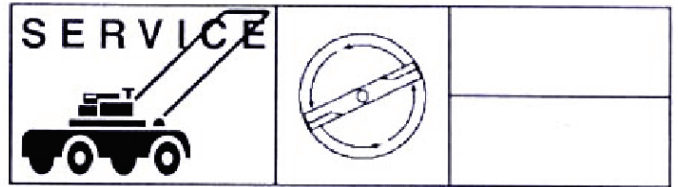


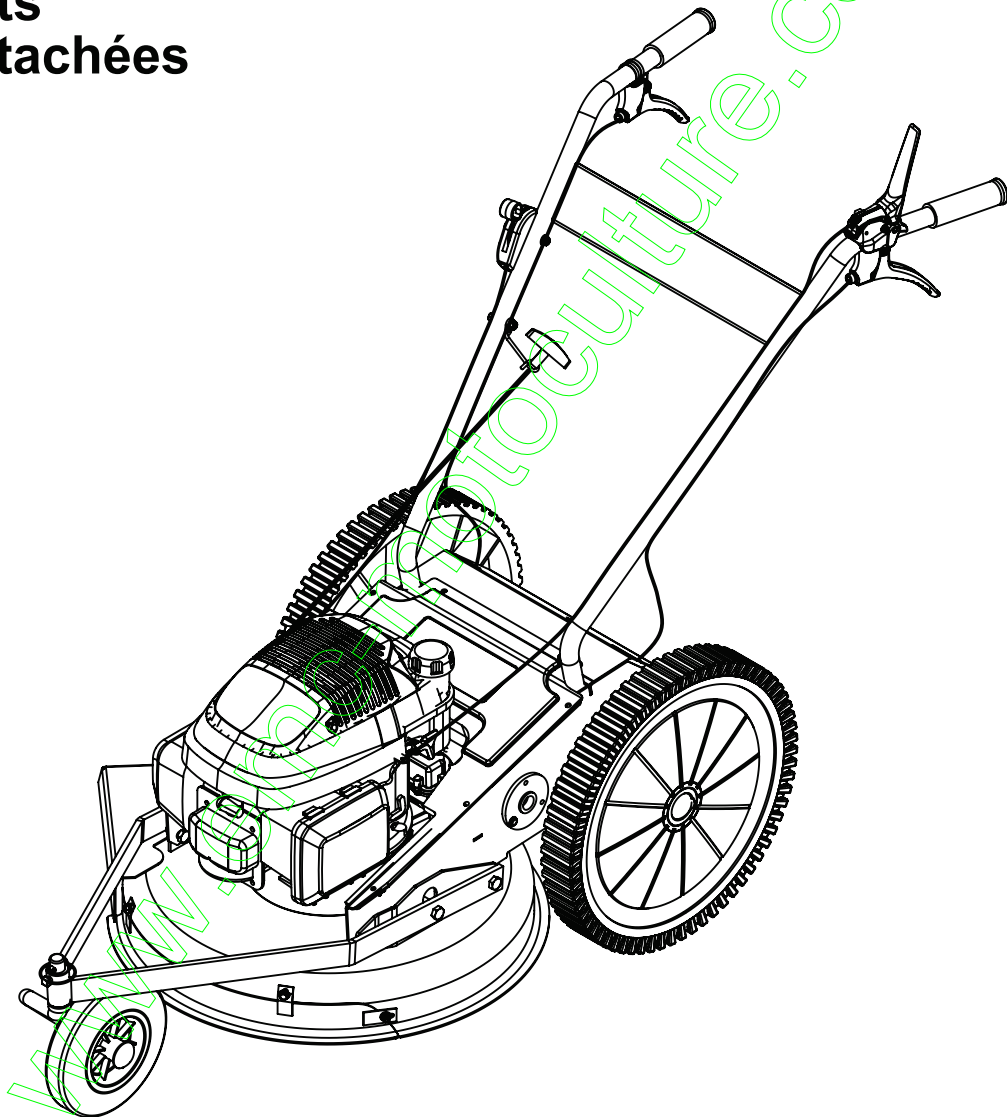
# Jonsered



IPL, LB2251/LC2251, 2007-10, 505 51 15-02

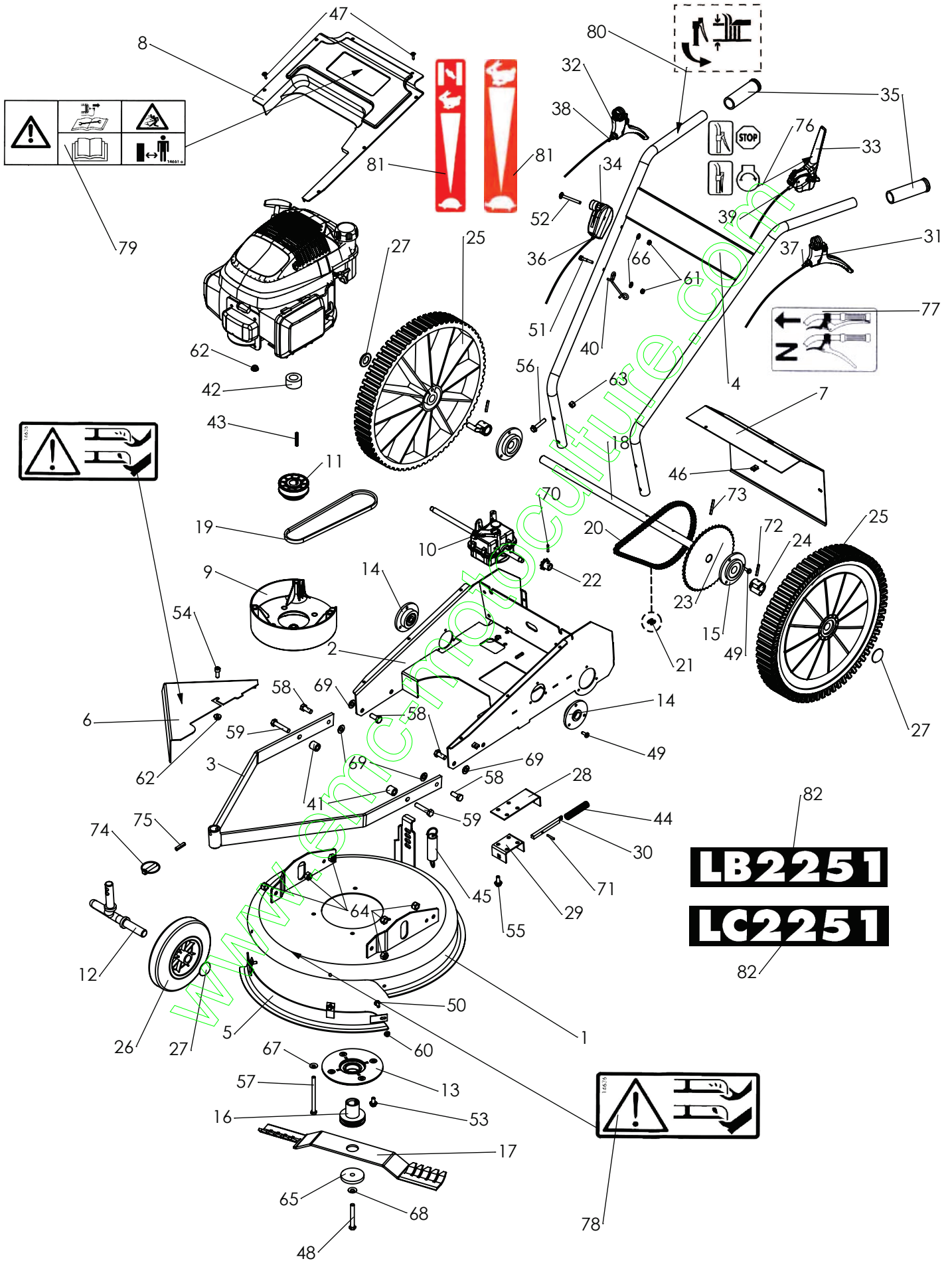
## LB2251/LC2251

Spare parts  
Pièces détachées



# REPAIR PARTS

BRUSHCUTTER - MODEL NO. LB2251/LC2251, PRODUCT NO.505 51 15-02



REPAIR PARTS

BRUSHCUTTER - MODEL NO. LB2251/1C2251, PRODUCT NO.505 51 15-02

KEY NO.	PART NO.	DESCRIPTION	DESIGNATION	QTY
1	504 05 01-01	Black blade guard Deb	Coupelle Deb noir	1
2	505 51 22-01	Red (3002) chassis	Chassis Rouge (3002)	1
3	504 05 10-01	Black front chassis	Chassis avant noir	1
4	504 05 08-01	Black handlebar deb	Guidon Deb noir	1
5	544 26 69-01	Black Front deflector	Déflecteur avant noir	1
6	544 26 68-01	Grey (8120) Side deflector	Déflecteur lat E51 Gris (8120)	1
7	504 05 07-01	Red (3002) rear bonnet	Capot arrière rouge (3002)	1
8	544 26 78-01	Black motor bonnet	Capot moteur noir	1
9	505 54 38-01	Black motor bonnet (GCV)	Capot moteur noir (GCV)	1
10	544 29 17-01	Plastic engine raiser	Rehausse Plastique	1
11	531 00 94-70	Variation motor pulley	Reducteur 4002 Deb Eco 06	1
12	531 00 94-27	Black support front wheel	Support de roue Noir	1
13	531 00 94-37	Blade guard hub	Palier coupelle E51 Pro V2	1
14	544 26 89-01	Countershaft bearing Ø10 Deb	Palier arbrés inter Ø10 Deb	2
15	531 00 83-58	Wheel-axle bearing	Palier arbrés de roue Ø20	2
16	531 00 94-32	Blade hub	Moyeu de lame E51 Pro V2	1
17	531 00 94-60	Blade	Lame E51 Pro V2	1
18	504 05 04-01	Wheel shaft Deb ECO V2	Arbre de roue Deb ECO V2	1
19	504 05 09-01	Fanbelt 6207 MC Gates	Courroie 6207 MC Gates (craintée)	1
20	505 51 18-01	Chain 9.525	Chaîne 9.525 (75 mai.obverfe+1 MCS+AR)	1
21	519 65 32-36	Quick fastener (9.525)	Attache rapide (9.525)	1
22	504 05 11-01	Sprocket 9 teeth 9.525 x 5.3	Pignon 9 dits x 9.525 x 5.3	1
23	505 51 19-01	Pinion 60 teeth 9.525 x 5.3	Pignon 60 dits x 9.525 x 5.3	1
24	519 65 32-51	Wheel hub E51	Moyeu de roue E51	1
25	544 26 77-01	Red rear wheel Ø420	Roue arrière Ø420 rouge	1
26	531 00 82-62	Front wheel Ø200	Roue avant Ø200	1
27	519 65 31-74	Trim stopper Ø20	Enjoliveur Ø20	3
28	531 00 94-33	Support locking raising	Supp verr réglag eco-03 bich	1
29	531 00 85-92	Locking pin support	Supp axe relev E51 03 Bich	1
30	531 00 85-94	Locking pin	Axe relevage E51 03 bich	1
31	504 05 14-01	lever LAB Ø25 stroke 30	Lever LAB Ø25 course 30	1
32	544 31 13-01	lever LAB Ø25 stroke 25	Lever LAB Ø25 course 25	1
33	504 05 15-01	Brake lever LASC Ø25 stroke 20mm	Lever frein LASC Ø25 course 20mm	1
34	504 05 17-01	Accelerator lever "min max" (4 crants)	Manette gaz "min max" (4 crants)	1
35	544 31 14-01	Ham side grip	Poignée Ø25x120	2
36	504 05 19-01	Throttle cable	Cable gaz	1
37	505 51 21-01	Clutch cable	Câble d'embrayage	1
38	504 05 18-01	Height setting cable	Câble réglage hauteur	1
39	504 05 20-01	Engine brake cable	Câble frein lame	1
40	531 00 85-97	Starter Hook	Accroche lanceur E51-03	1
41	504 05 13-01	Blade guard spacer E51	Entroise coupelle E51	2
42	531 00 94-39	Spacer 40 x 22 x 22	Entroise 40 x 22 x 22	1
42	504 05 16-01	Spacer 40 x 22 x 8	Entroise 40 x 22 x 8	1
43	519 65 30-21	Key 4.7 6x4.7 6x40	Clavette 4.7 6x4.7 6x40	1
44	519 65 32-09	Locking spring	Ressort CP 15x7.5x1 6/10 galva	1
45	519 65 32-04	High adjustment spring	Ressort IR relevage E51 35/10	1
46	519 65 34-25	Clips 4.2	Clips 4.2	9
47	519 65 34-26	Screw 4.2x19	Vis Tôle 4.2x19	9
48	531 00 83-18	Screw 3/8 TH24 UNF Lg70	Vis 3/8 TH24 UNF Lg70	1
49	504 05 27-01	Screw HM6x1 6 z Self-flapping	Vis HM 6x1 6 z autofaranduse	1/2
50	519 65 34-35	Screw HM 6x1 6 z notched shoulder	Vis HM 6x1 6 z emb cr	3
51	519 65 34-37	Screw HM6x35z	Vis HM6x35z	1
52	544 31 31-01	Screw TBCC M6x60 z	Vis TBCC M6x60 z	1
53	531 00 82-02	Screw H M8x1 6 z notched shoulder	Vis HM 8x1 6 z emb cr	4
54	504 05 23-01	Screw CHC M8x20 z	Vis CHC M8x20 z	1
55	519 65 34-33	Screw H M8x20 z notched shoulder	Vis HM 8x20 z emb cr	3
56	519 65 34-13	Screw HM8x40z notched shoulder	Vis HM 8x40 z emb cr	4
57	519 65 30-45	Screw HM 8x110 z (Honda engine)	Vis HM 8x110 z (moteur honda)	4
57	504 05 25-01	Screw HM 8x100 z (Briggs engine)	Vis HM 8x100 z (moteur Briggs)	2
57	504 05 26-01	Screw HM 8x130 z (Briggs engine)	Vis HM 8x130 z (moteur Briggs)	1
58	519 65 31-23	Screw H M10x25 z	Vis H M10x25 z	4

REPAIR PARTS

BRUSHCUTTER - MODEL NO. LB2251/1C2251, PRODUCT NO.505 51 15-02

KEY NO.	PART NO.	DESCRIPTION	DESIGNATION	QTY
59	519 65 31-27	Screw H M10x50 z	Vis H M10x50 z	2
60	519 65 34-32	Nut H M6 z notched shoulder	Ecrou HM 6 z emb cr	3
61	732 26 16-01	Blocking nut M 6 Z	Ecrou frein M 6 Z	2
62	519 65 34-30	Nut H M8 z notched shoulder	Ecrou H M8 z emb cr	7
63	544 20 79-01	Blocking nut M 8 Z	Ecrou frein M 8 Z	4
64	519 65 34-58	Blocking nut M 10 Z	Ecrou frein M 10 Z	6
65	519 65 32-74	Blade washer	Rondelle de serrage E51	1
66	531 00 94-03	Elastic washer 6 Bic	Rondelle contact 6 Bic	2
67	544 31 49-01	Contact washer 8	Rondelle contact 8	4
68	504 05 22-01	Elastic washer 10 Bic	Rondelle contact 10 Bic	1
69	734 11 72-01	Washer M 10x22x2 Z	Rondelle M 10x22x2 Z	4
70	519 65 31-68	Pin Ø4x20 HBK	Goupille Ø4x20 HBK	1
71	531 00 83-98	Coiler-pin 4x24 HBK	Goupille 4x24 HBK	1
72	519 65 31-69	Pin Ø5x30 HBK	Goupille Ø5x30 HBK	2
73	519 65 31-70	Pin Ø5x40 HBK	Goupille Ø5x40 HBK	1
74	519 65 31-67	Coiler-pin	Goupille Clips 8x40 Bic	1
75	531 00 85-64	Coiler-pin 8x30	Goupille meca 8x30	1
76	531 00 84-06	Forward movement striker	Etiquette d'avancement Mav	1
77	519 00 62-25	Engine brake label	Etiquette frein moteur	1
78	519 65 32-63	Label "danger sticker"	Etiquette "danger lame"	2
79	519 65 32-64	Safety instructions label	Etiquette précautions d'emploi	1
80	531 00 94-67	Height cutting label	Etiquette réglage coupe	1
81	531 00 82-51	Label throttle control without stop	Etiquette gaz sans stop	1
81	531 00 94-05	Label throttle control GCV	Etiquette gaz Honda GCV	1
82	504 05 30-01	Label "LB2251"	Etiq. "LB2251"	1
82	504 05 31-01	Label "1C2251"	Etiq. "1C2251"	1