
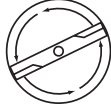


Jonsered

SERVICE 		2
		I0000016

IPL, LR 13 Automatic, 2000-02, 106 24 83-70

J8F13H36TC

LR 13 Automatic

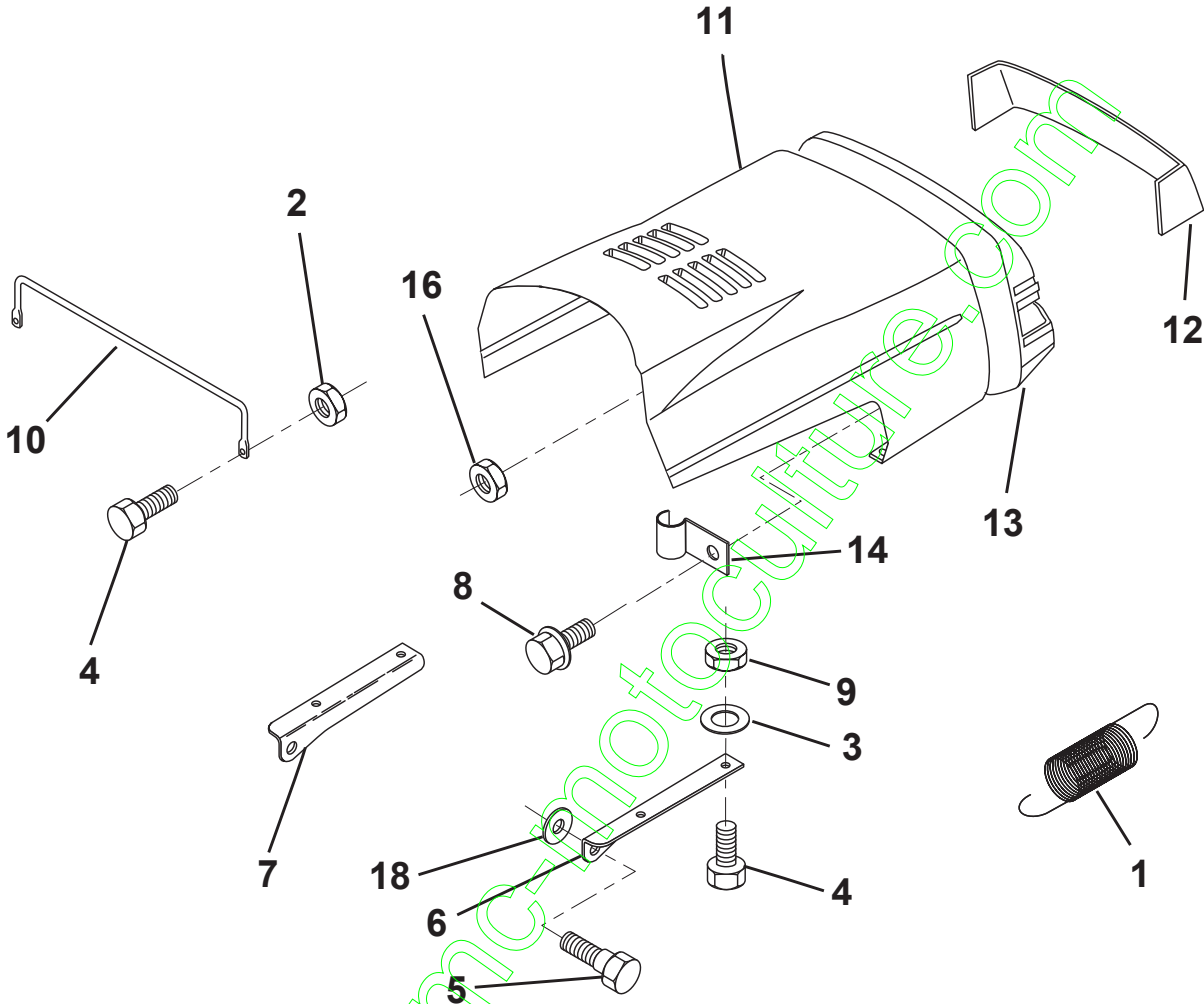
Spare parts
Ersatzteile
Pièces détachées
Reserve onderdelen
Repuestos
Reservdelar

www.emc-motoculture.com

106 24 83-70

REPAIR PARTS

TRACTOR - MODEL NO. LR13A (J8F13H36TC), PRODUCT NO. 954 13 00-17
HOOD

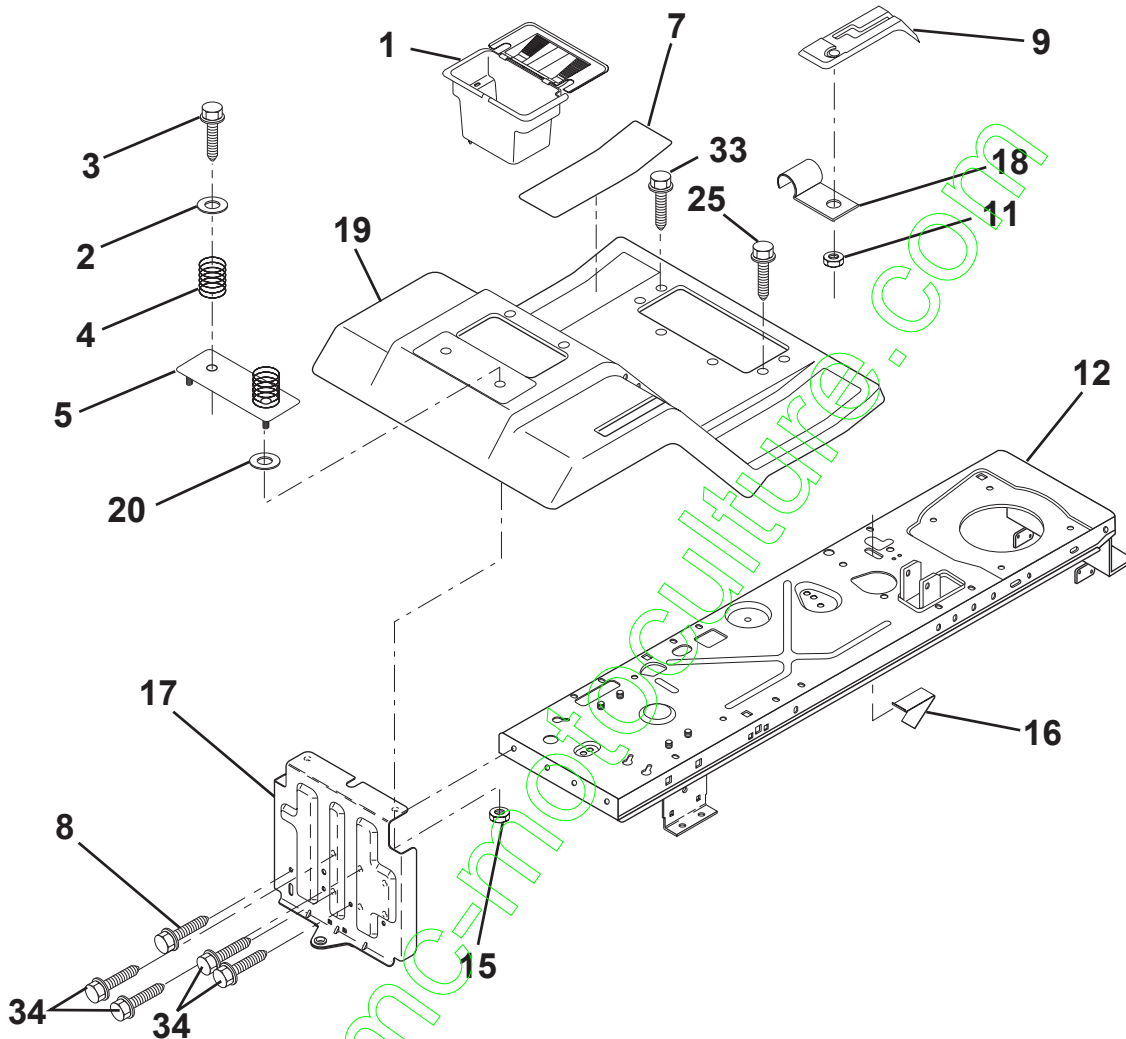


KEY NO.	PART NO.	DESCRIPTION	KEY NO.	PART NO.	DESCRIPTION
1	532124657	Extension, Spring	9	873800400	Nut Lock w/Insert 1/4-20 Unc
2	873510400	Nut Hex, Keps 1/4-20	10	532123693	Brace, Hood
3	819091416	Washer 9/32 x 7/8 x 16 Ga.	11	532125429	Hood
4	874780412	Bolt, Hex Fin 1/4-20 x 3/4 Gr. 5	12	532171843	Lens
5	532139888	Bolt, Shoulder	13	532171978	Grille
6	532122549	Bracket, Hood RH	14	532124967	Clip, Insulated
7	532122548	Bracekt, Hood LH	16	532124346	Nut, Self Thread Washer Head 1/4
8	532164863	Screw HWHD. Hi-Lo. #13-16 x 3/4	18	819111116	Washer 11/32 x 11/16 x 16 Ga.

HARDWARE SHOWN LARGER FOR EASIER IDENTIFICATION

REPAIR PARTS

TRACTOR - MODEL NO. LR13A (J8F13H36TC), PRODUCT NO. 954 13 00-17
FENDER/CHASSIS



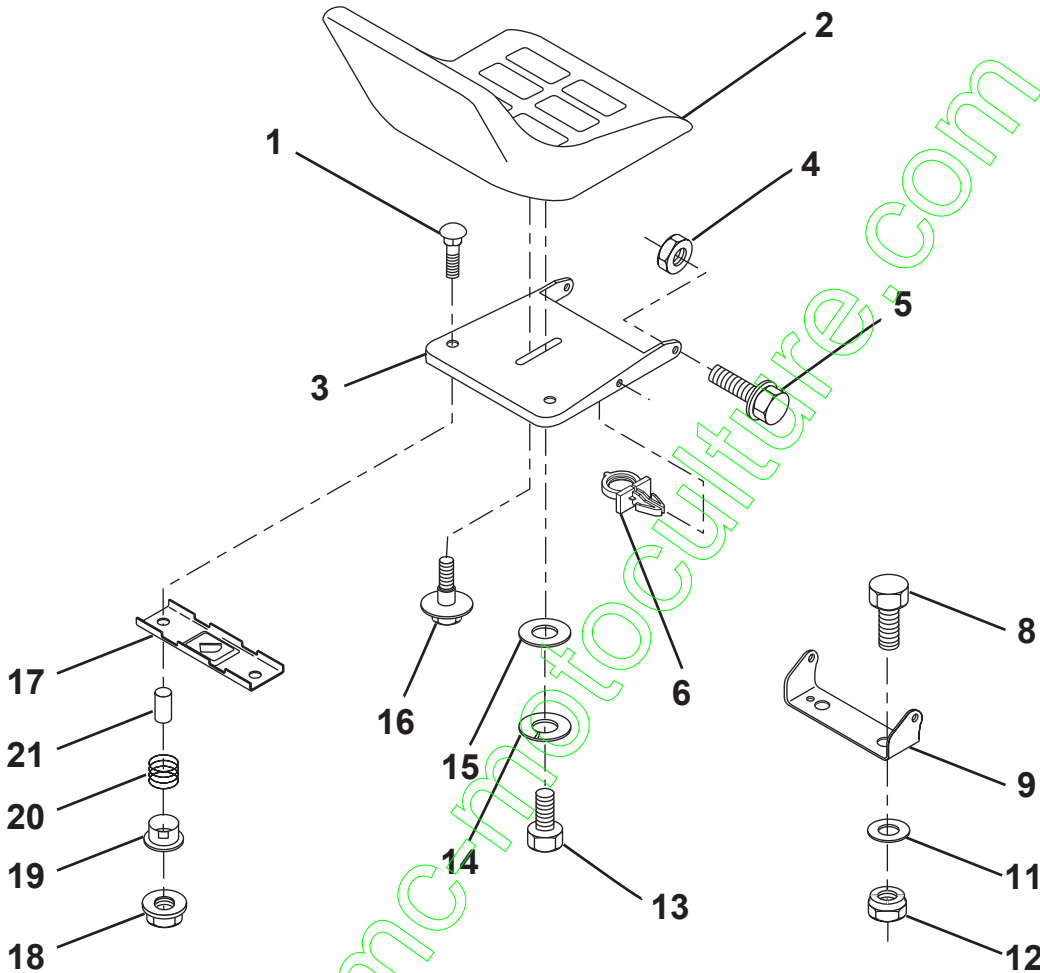
KEY NO.	PART NO.	DESCRIPTION
1	532156417	Case, Battery
2	819132012	Washer 13/32 x 1-1/4 x 12 Ga.
3	817490612	Screw, Hex Wsh. Thrdrol 3/8-16 x 3/4
4	532124181	Spring, Compression, Seat
5	532125431	Plate, Asm. Battery
7	532124144	Pad, Footrest
8	817060512	Screw 5/16-18 x 3/4
9	532166683	Console, Automatic
11	532124346	Nut, Self-Threading, Wsher Hd 3/16

KEY NO.	PART NO.	DESCRIPTION
12	532145190	Chassis Asm, Weldment
15	873640400	Nut, Keps 1/4-20 UNC
16	532141736	Switch Actuator
17	532140782	Drawbar
18	532126470	Clip, Insulated
19	532141650	Fender/Footrest
20	819091413	Washer 9/32 x 7/8 x 13 Ga.
25	817060514	Screw Tapping 5/16-18 Unc
33	817190516	Scr-Hx Wsh Thd Rol 5/16-18 x 1
34	817720408	Screw Thd Cut 1/4-20 x 1/2 Ty23

HARDWARE SHOWN LARGER FOR EASIER IDENTIFICATION

REPAIR PARTS

TRACTOR - MODEL NO. LR13A (J8F13H36TC), PRODUCT NO. 954 13 00-17
SEAT

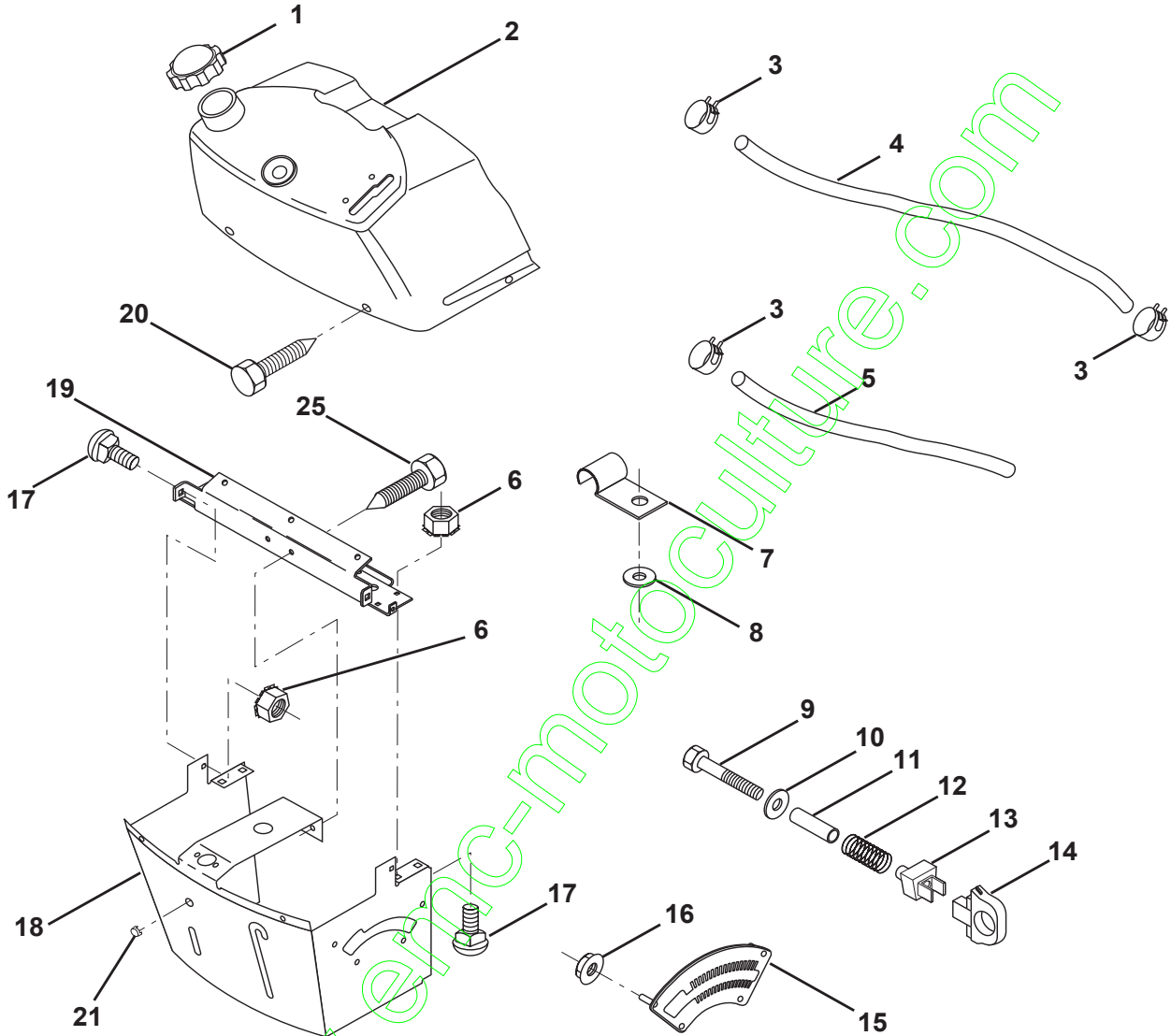


KEY NO.	PART NO.	DESCRIPTION	KEY NO.	PART NO.	DESCRIPTION
1	872050412	Bolt, Carriage 1/4-20 x 1-1/2	13	874780814	Bolt Hex 1/2-13 x 7/8
2	532140116	Seat	14	810040800	Washer Lock Hvy. Hlcl Spring 1/2
3	532155925	Pan, Seat	15	819171912	Washer, 17/32 x 1-3/16 x 12 Ga.
4	873800500	Nut, Lock Hex W/Ins. 5/16-18	16	532127018	Bolt, Shoulder
5	532153236	Bolt, Shoulder 5/16-18 UNC	17	532121246	Bracket, Switch, Mounting
6	532145006	Clip, Insulated	18	532123976	Nut, Hex Large Flange Lock
8	874760616	Bolt, Fin Hex 3/8-16 UNC x 1	19	532121248	Bushing, Snap
9	532140551	Bracket, Pivot Seat	20	532121250	Spring, Compression
11	819133210	Washer 12/32 x 2 x 10 Ga.	21	532134300	Spacer, Split 28 Id. x .88 Lg.
12	873800600	Nut, Lock Hex W/Wsh 3/8-16 UNC			

HARDWARE SHOWN LARGER FOR EASIER IDENTIFICATION

REPAIR PARTS

TRACTOR - MODEL NO. LR13A (J8F13H36TC), PRODUCT NO. 954 13 00-17
DASH

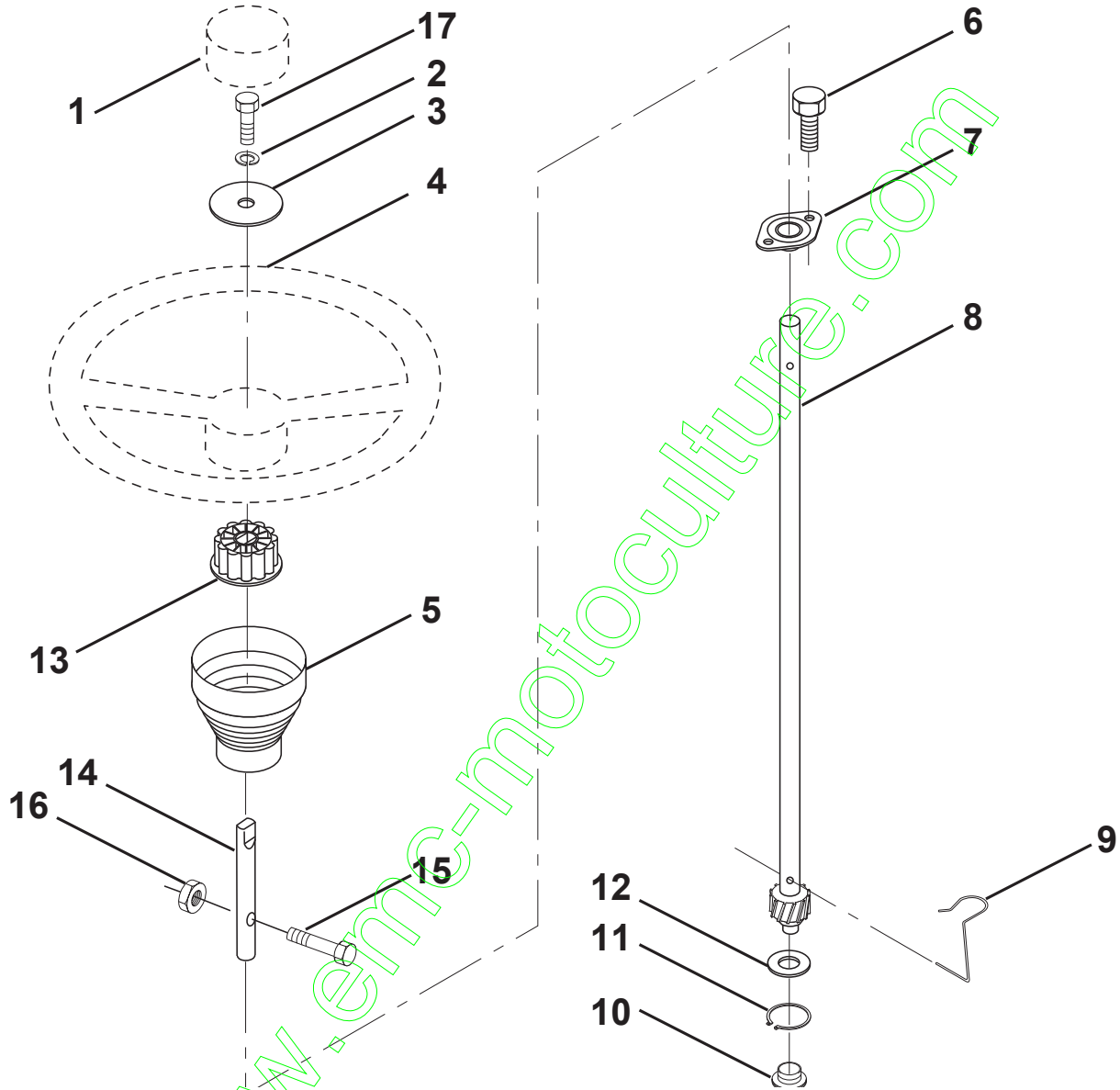


KEY NO.	PART NO.	DESCRIPTION	KEY NO.	PART NO.	DESCRIPTION
1	532141523	Cap, Fuel	12	532003720	Spring
2	532138392	Assembly, Dash & Fuel Tank	13	532126450	Clip, Height Adjustment
3	532123487	Clamp, Hose	14	532126115	Knob, Height Stop
4	532008544	Line, Fuel	15	532122023	Adjustment, Quadrant Height
5	532008548	Line, Fuel	16	532124346	Nut, Self-Threading 3/16-18
6	873640400	Nut, Hex, Keps 1/4-20	17	872110404	Bolt, Carriage 1/4-20 x 1/2 Gr. 5
7	532124996	Clip, Fuel Line	18	532130745	Support Assembly, Dash
8	819091216	Washer 9/32 x 3/4 x 16 Ga.	19	532134744	Brace, Cross
9	874760428	Bolt, Hex, Fin 1/4-20 x 1-3/4	20	817060408	Screw, Self-Tapping 1/4-20 x 1/2
10	819091413	Washer 11/32 x 11/16 x 16 Ga.	21	532134014	Plug Dome Black
11	532121249	Spacer, Split	25	817720410	Screw Hex Thd Cut 1/4-20 x 5/8 T

HARDWARE SHOWN LARGER FOR EASIER IDENTIFICATION

REPAIR PARTS

TRACTOR - MODEL NO. LR13A (J8F13H36TC), PRODUCT NO. 954 13 00-17
STEERING WHEEL



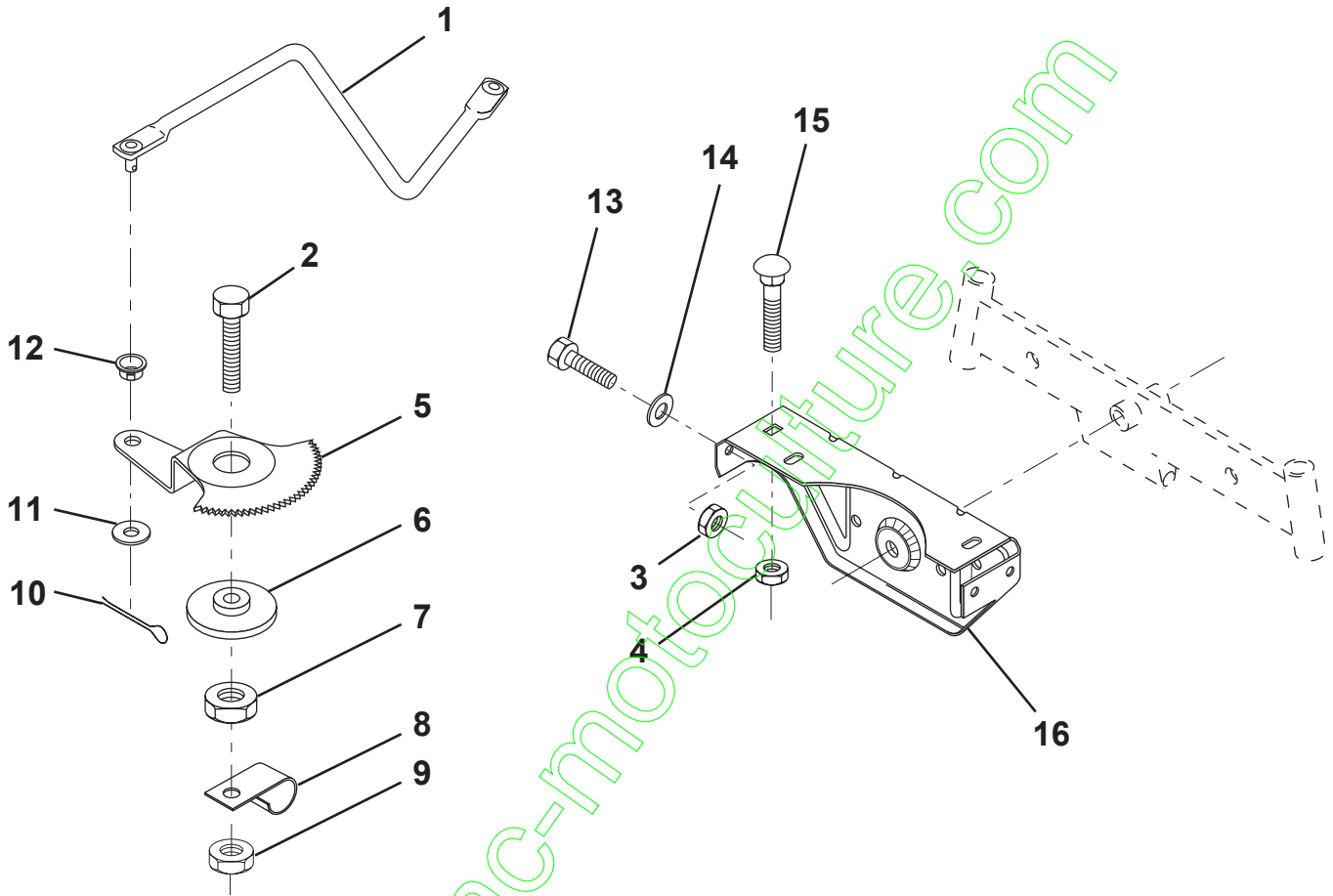
KEY NO.	PART NO.	DESCRIPTION
1	532140045	Insert, Wheel, Steering
2	810040600	Washer, Lock Hvy Hlcl
3	819133812	Washer 13/32 x 2-3/8 x 12 Ga.
4	532140044	Wheel, Steering
5	532121897	Sleeve, Steering
6	532152927	Screw, TT #10-32.5 x 3/8 Flange
7	532155104	Bushing, Steering
8	532147391	Shaft, Steering
9	532124210	Clip, Steering

KEY NO.	PART NO.	DESCRIPTION
10	532123438	Bushing, Lower, Steering
11	812000045	Ring, Retaining
12	819211616	Washer 21/32 x 1 x 16 Ga.
13	532100711	Adaptor, Wheel, Steering
14	532153720	Extension Shaft Steering
15	874780520	Bolt Fin Hex 5/16-18 UNC x 1-1/4
16	873800500	Nut, Lock Hex W/Ins 5/16-18 UNC
17	874780616	Bolt, Fin Hex 3/8-16 UNC x 1

HARDWARE SHOWN LARGER FOR EASIER IDENTIFICATION

REPAIR PARTS

TRACTOR - MODEL NO. LR13A (J8F13H36TC), PRODUCT NO. 954 13 00-17
SECTOR GEAR / AXLE SUPPORT



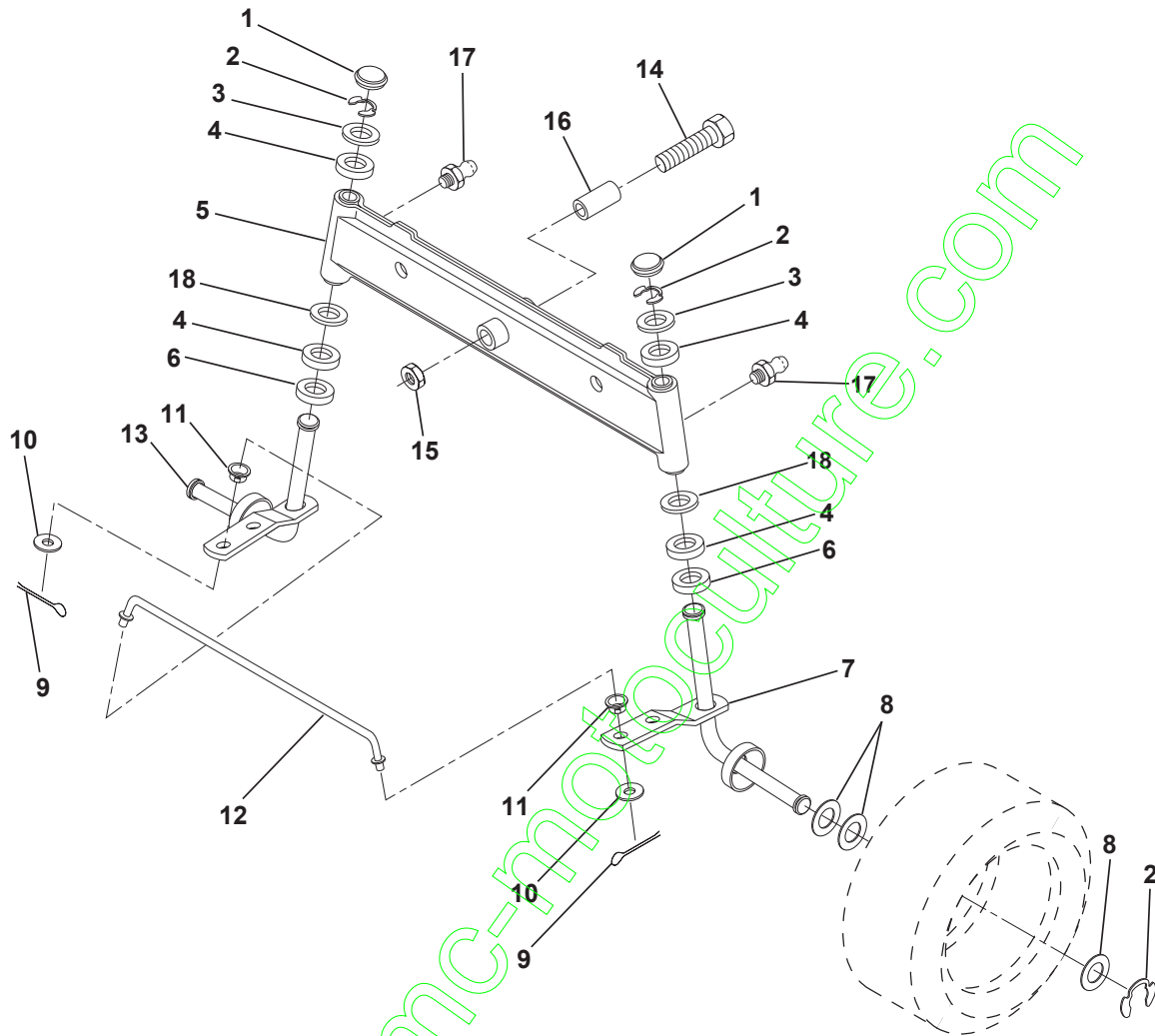
KEY NO.	PART NO.	DESCRIPTION
1	532132566	Link, Drag
2	874780828	Bolt, Fin Hex 1/2-13 x 1-3/4
3	873680500	Nut, Crownlock 5/16-18
4	873680600	Nut, Crownlock 3/8-16
5	532121926	Gear, Sector
6	532121927	Bushing
7	873030800	Nut, Heavy Hex Top Lock 1/2-13 UNC
8	532126472	Clip, Insulated
9	873680800	Nut, Crownlock 3/8-16

KEY NO.	PART NO.	DESCRIPTION
10	876020412	Pin, Cotter 1/8 x 3/4
11	819131316	Washer, 13/32 x 13/16 x 16 Ga.
12	532126847	Bushing
13	874760512	Bolt, Hex Hd. 5/16-18 UNC x 3/4
14	819111416	Washer 11/32 x 7/8 x 16 Ga.
15	872110606	Bolt, Carriage 3/8-16 UNC x 3/4
16	532137096	Support, Front Axle

HARDWARE SHOWN LARGER FOR EASIER IDENTIFICATION

REPAIR PARTS

TRACTOR - MODEL NO. LR13A (J8F13H36TC), PRODUCT NO. 954 13 00-17
FRONT AXLE

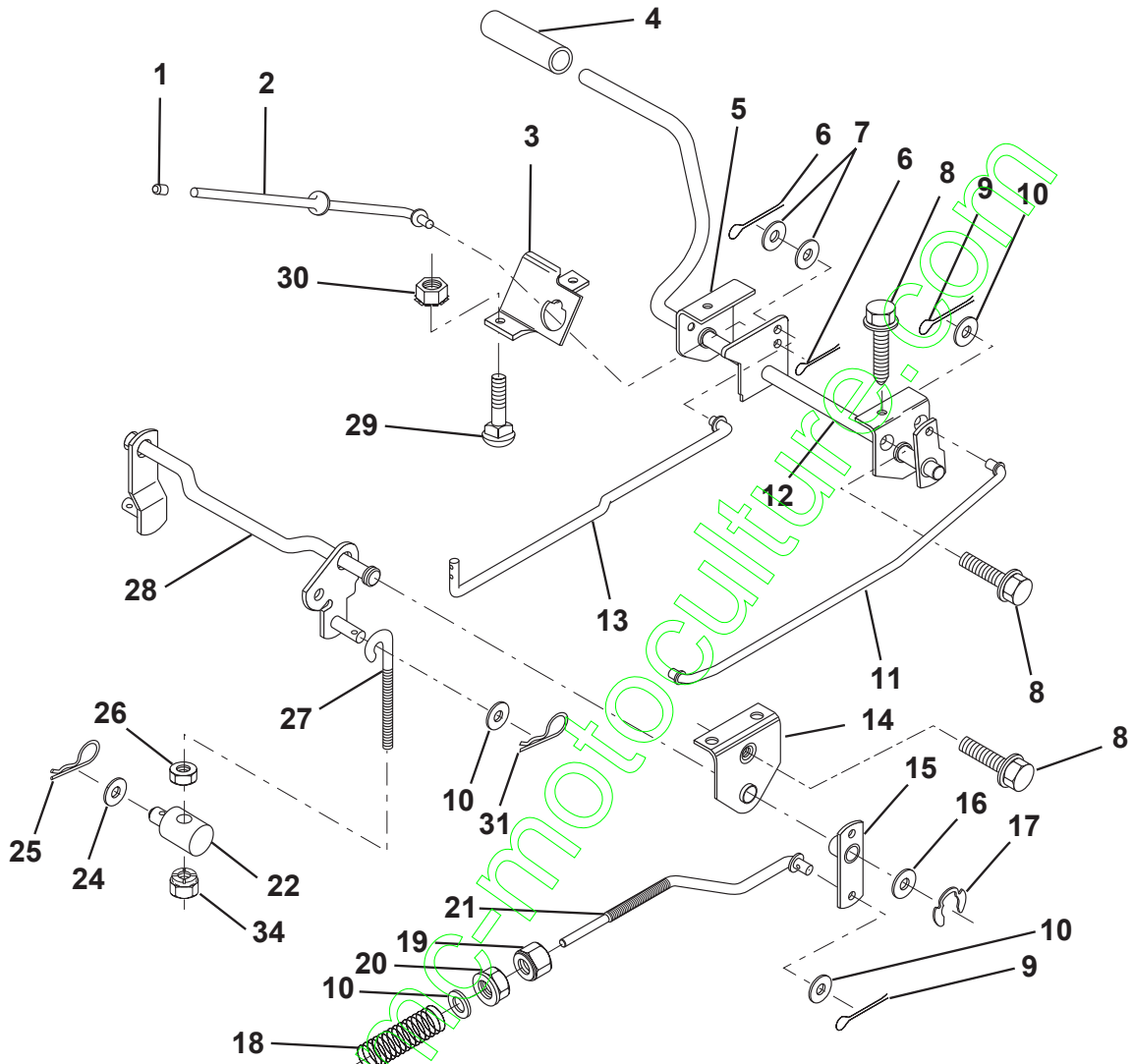


KEY NO.	PART NO.	DESCRIPTION	KEY NO.	PART NO.	DESCRIPTION
1	532121232	Cap, Spindle	10	819131316	Washer 13/32 x 13/16 x 16 Ga.
2	812000029	Ring, Clip	11	532126847	Bushing
3	532121748	Washer 25/32 x 1-5/8 x 16 Ga.	12	532130465	Rod, Tie
4	532124937	Nyliner	13	532161827	Spindle, L.H. Asm.
5	532142033	Axle, Front	14	874011056	Bolt Hex 5/1-11 x 3-1/2
6	532124931	Bearing, Thrust	15	873901000	Nut, Lock Flange 5/8-11
7	532161826	Spindle, R.H. Asm.	16	532110438	Spacer Bearing Axle
8	532121749	Washer 25/32 x 1-1/4 x 16 Ga.	17	532124836	Fitting Grease
9	876020412	Pin, Cotter 1/8 x 3/4	18	819272016	Washer 27/32 x 1-1/4 x 16 Ga.

HARDWARE SHOWN LARGER FOR EASIER IDENTIFICATION

REPAIR PARTS

TRACTOR - MODEL NO. LR13A (J8F13H36TC), PRODUCT NO. 954 13 00-17
BRAKE / REAR MOWER LIFT ASSEMBLY

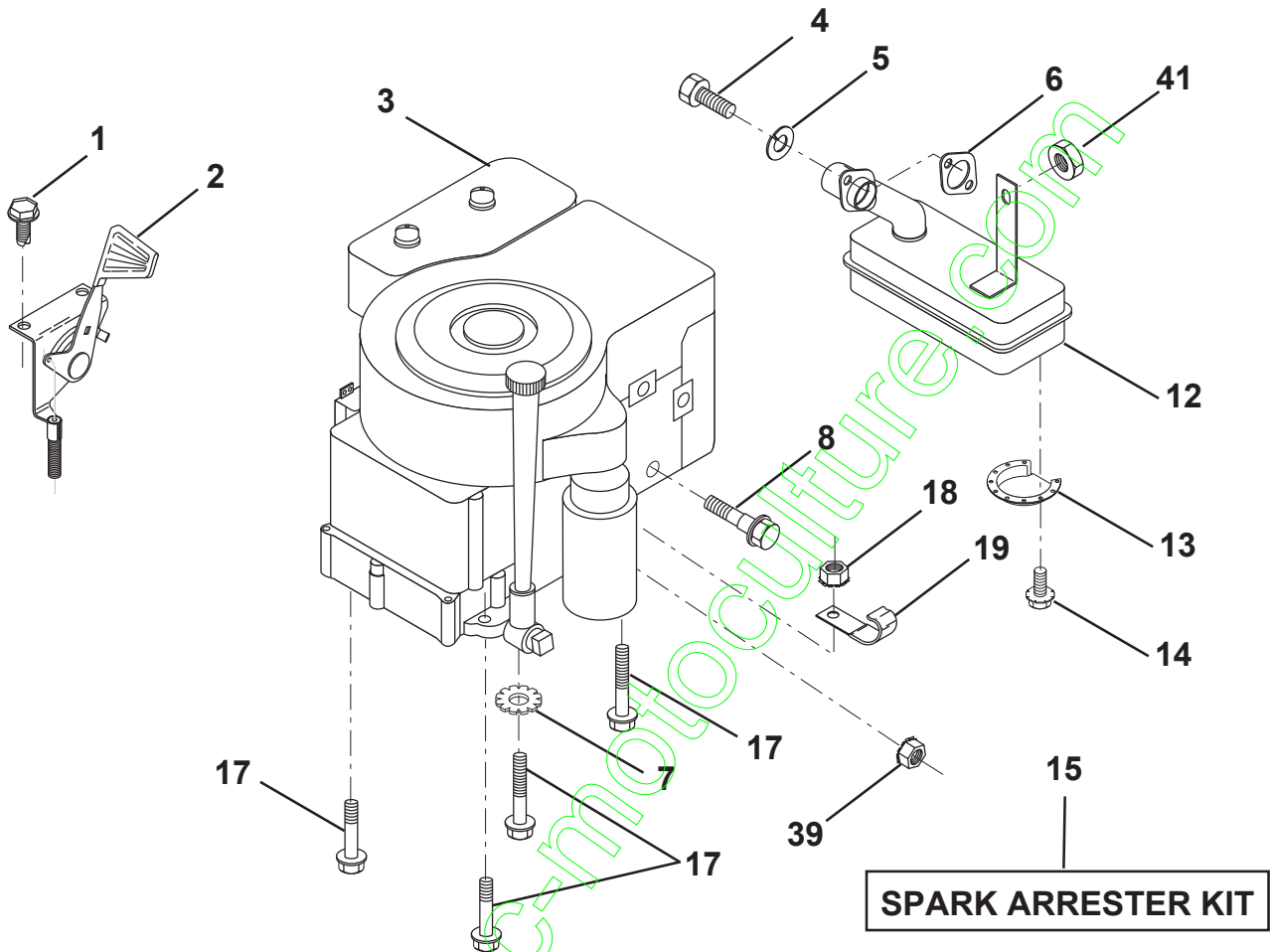


KEY NO.	PART NO.	DESCRIPTION	KEY NO.	PART NO.	DESCRIPTION
1	532071673	Cap, Plunger	16	819251816	Washer 25/32 x 1-1/8 x 16 Ga.
2	532123436	Rod, Parking Brake	17	812000034	Ring, Klip
3	532123437	Bracket, Parking Brake	18	532151332	Spring, Brake Rod
4	532124872	Cover, Pedal	19	873350600	Nut, Hex, Jam 3/8-16 UNC
5	532122504	Bracket, Clutch/Brake Pedal, L.H.	20	873800600	Nut, Lock Hex W/Ins 3/8-16 UNC
6	876020312	Pin, Cotter 3/32 x 3/4	21	532144413	Rod, Rear Brake
7	819131016	Washer 13/32 x 5/8 x 16 Ga.	22	532144585	Trunnion, Lift
8	817490508	Screw, Hex, Thd. Roll. 5/16-18 x 1/2	24	819132012	Washer 13/32 x 1-1/4 x 12 Ga.
9	876020412	Pin, Cotter 1/8 x 3/4	25	532124961	Spring, Retainer
10	819131316	Washer 13/32 x 13/16 x 16 Ga.	26	873930600	Nut, Centerlock 3/8-16 UNC
11	532123543	Rod, Brake Front	27	532127369	Link, Threaded
12	532139933	Assembly, Clutch/Brake Pedal	28	532140776	Assembly, Rear Mower Lift
13	532123394	Rod, Clutch	29	872110506	Bolt, Carriage 5/16-18 UNC x 3/4
14	532121978	Bracket, Lift, Shaft	30	873510500	Nut, Keps 5/16-16 UNC
15	532133332	Assembly, Brake, Pivot, Arm	31	532124660	Retainer, Spring
			34	873680600	Nut, Crownlock 3/8-16

HARDWARE SHOWN LARGER FOR EASIER IDENTIFICATION

REPAIR PARTS

TRACTOR - MODEL NO. LR13A (J8F13H36TC), PRODUCT NO. 954 13 00-17
ENGINE

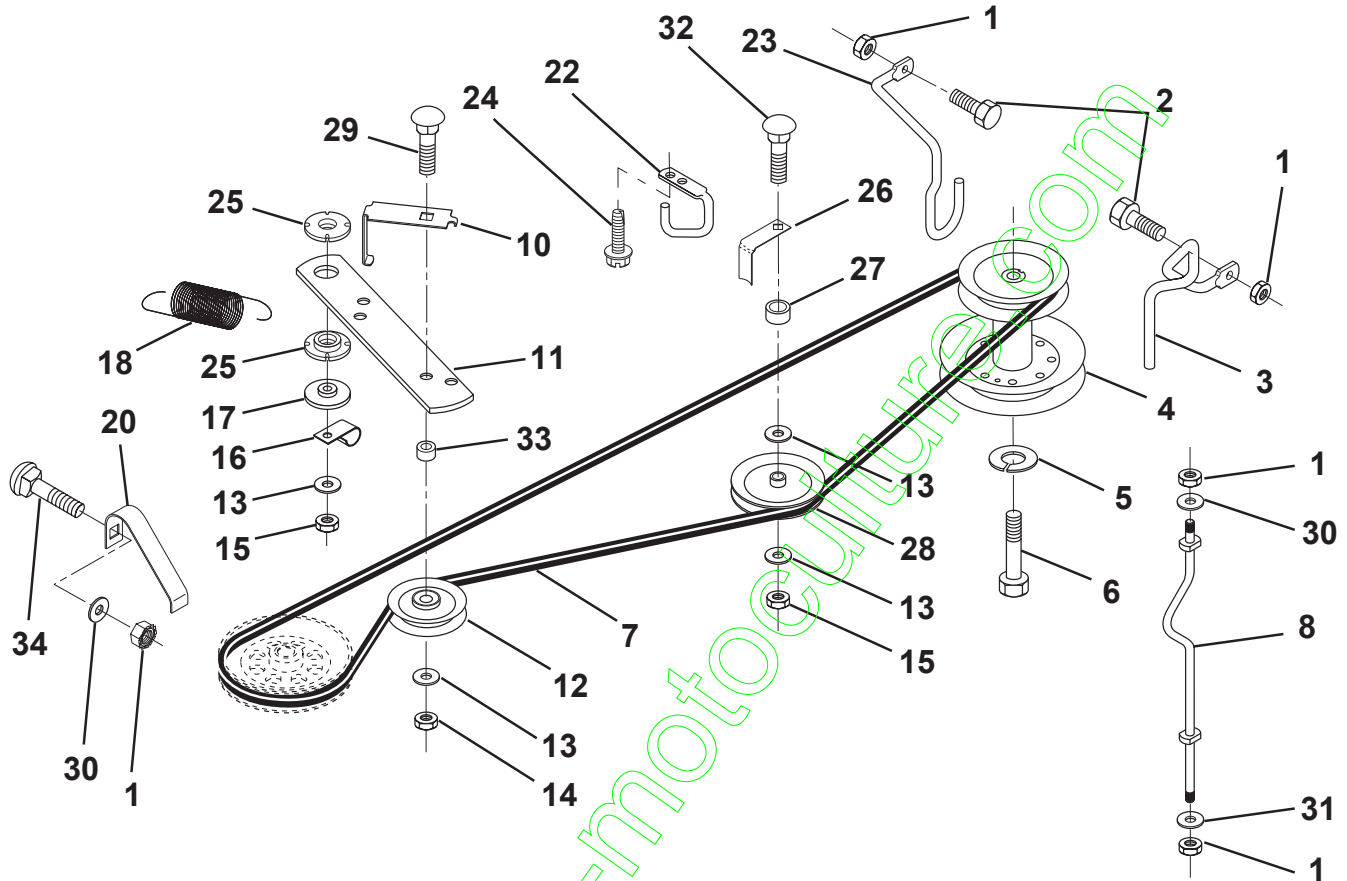


KEY NO.	PART NO.	DESCRIPTION	KEY NO.	PART NO.	DESCRIPTION
1	817720410	Screw, Hex Thd. Cut 1/4-20 x 5/8	12	532156448	Muffler
2	532132752	Control, Throttle	13	532101326	Deflector, Muffler
3	-----	Engine Tec Model OHV130 (Order parts from engine mfg.)	14	817030808	Screw, Spiderloc
4	532123528	Bolt Hex, Hd Phillip	15	532137180	Arrester, Spark (Optional equipment)
5	810040500	Washer, Lock Heavy Helical Spring 5/16	17	817490624	Screw, Hex Washer Head, Thdrol. 3/8- 16 x 1-1/2
6	532165291	Gasket, Exhaust	18	873510600	Nut Keps Hex 3/8-16
7	811050600	Washer Lock Ext. Tooth 3/8	19	532124996	Clip Line Fuel
8	532081328	Bolt shoulder 1/4-20	39	532128861	Nut Flange 1/4-20
			41	873900500	Nut Lock Hex Flange 5/16-18

HARDWARE SHOWN LARGER FOR EASIER IDENTIFICATION

REPAIR PARTS

TRACTOR - MODEL NO. LR13A (J8F13H36TC), PRODUCT NO. 954 13 00-17
GROUND DRIVE

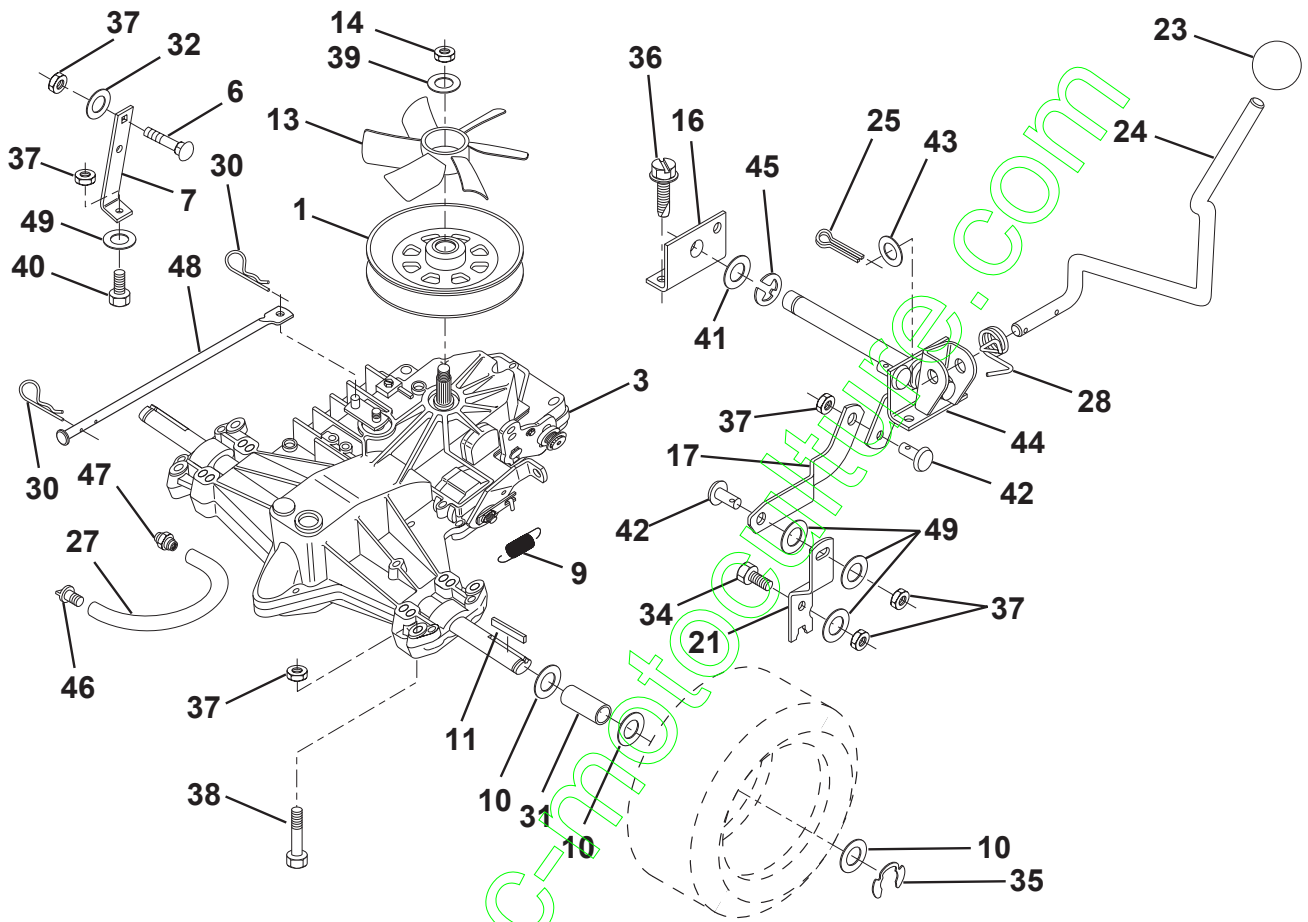


KEY NO.	PART NO.	DESCRIPTION	KEY NO.	PART NO.	DESCRIPTION
1	873800500	Nut, Lock Hx w/Ins 5/16-18	18	532131459	Spring, Extension
2	874760512	Bolt, Hex Head 5/16-18 x 3/4	20	532140909	Keeper,Belt LH
3	532141297	Keeper, Belt RH Front	22	532123404	Keeper Frame Ground Drive Belt
4	532138029	Pulley, Engine	23	532140916	Keeper,Belt LH Front
5	810040700	Washer, Lock 7/16	24	817720408	Screw, Thd. Cut 1/4-20 x 1/2
6	871170744	Bolt, Hex 7/16-20 Gr. 5	25	532150935	Bushing, Nylon
7	531013132	V-Belt	26	532140913	Keeper, Belt
8	532140785	Keeper, Belt RH	27	532140914	Spacer
10	532140780	Keeper,Belt, Idler Pulley	28	532139123	Pulley, V-Idler
11	532150926	Arm, Idler	29	872140618	Bolt, Carriage 3/8-16 x 2-1/4
12	532123674	Idler, Flat	30	819111116	Washer
13	819131316	Washer 13/32 x 13/16 x 16 Gauge	31	819111216	Washer
14	873930600	Nut, Centerlock 3/8-16	32	872140620	Carriage Bolt
15	873680600	Nut, Crownlock 3/8-16	33	532000160	Spacer
16	532126471	Clip Insulator	34	872140506	Carriage Bolt
17	532150932	Spacer, Retainer			

HARDWARE SHOWN LARGER FOR EASIER IDENTIFICATION

REPAIR PARTS

TRACTOR - MODEL NO. LR13A (J8F13H36TC), PRODUCT NO. 954 13 00-17
TRANSAXLE

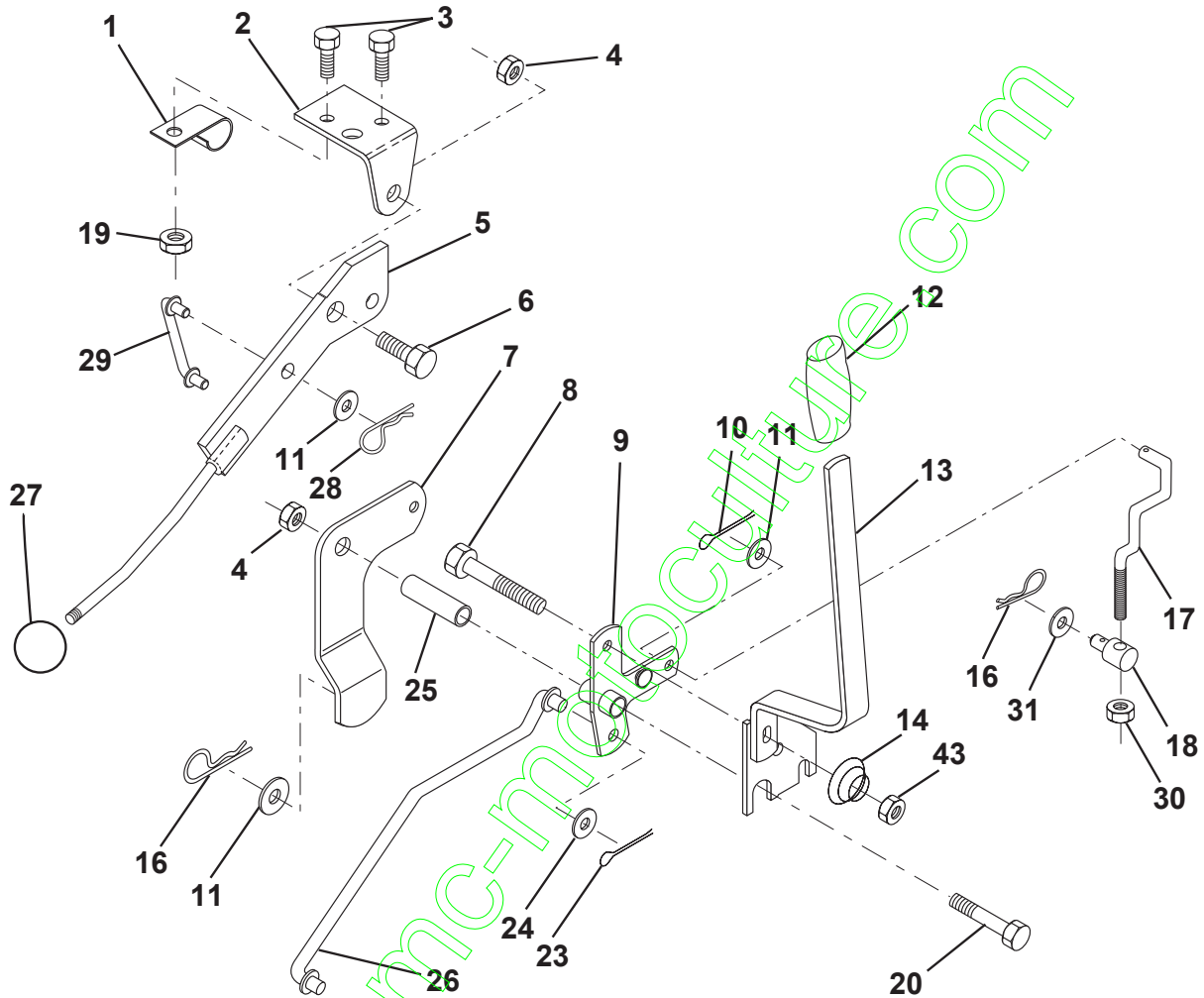


KEY NO.	PART NO.	DESCRIPTION	KEY NO.	PART NO.	DESCRIPTION
1	532140779	Pulley	31	532121199	Spacer
3	532140607	Transaxle, Hydro 0319-0500	32	819111116	Washer
6	872140506	Bolt, Carriage	34	874760516	Bolt Hex Hd 5/16 - 18 x 1
7	532140774	Strap, Torque	35	812000001	E-Ring
9	532146682	Spring Brake	36	817720408	Screw, Thd. Cut 1/4-20 x 1/2
10	532121749	Washer 25/32 x 1-1/4 x 16 Gauge	37	873800500	Nut
11	532123583	Key, Square	38	874490540	Bolt, Hex Flghd 5/16-18
13	532140778	Fan, Transaxle, Hydro	39	819171912	Washer
14	873750800	Nut Lock	40	874760524	Bolt
16	532140763	Support, Shift Handle	41	819212013	Washer
17	532140767	Link, Shift	42	532140769	Pivot Pin
21	532140773	Lever, Shift	43	819171216	Washer
23	532121274	Knob, Shifter	44	532156047	Pivot Shaft Assembly
24	532140765	Rod, Shifter	45	812000002	E-Ring
25	876020416	Pin, Cotter	46	532142917	Cap, Vent Hose
27	532142564	Hose, Vent	47	532142918	Nipple, Vent Hose
28	532140772	Spring, Torsion	48	532140912	Actuator, Bypass, Hydro
30	532124788	Retainer Spring	49	819111216	Washer

HARDWARE SHOWN LARGER FOR EASIER IDENTIFICATION

REPAIR PARTS

TRACTOR - MODEL NO. LR13A (J8F13H36TC), PRODUCT NO. 954 13 00-17
MOWER LIFT LEVER

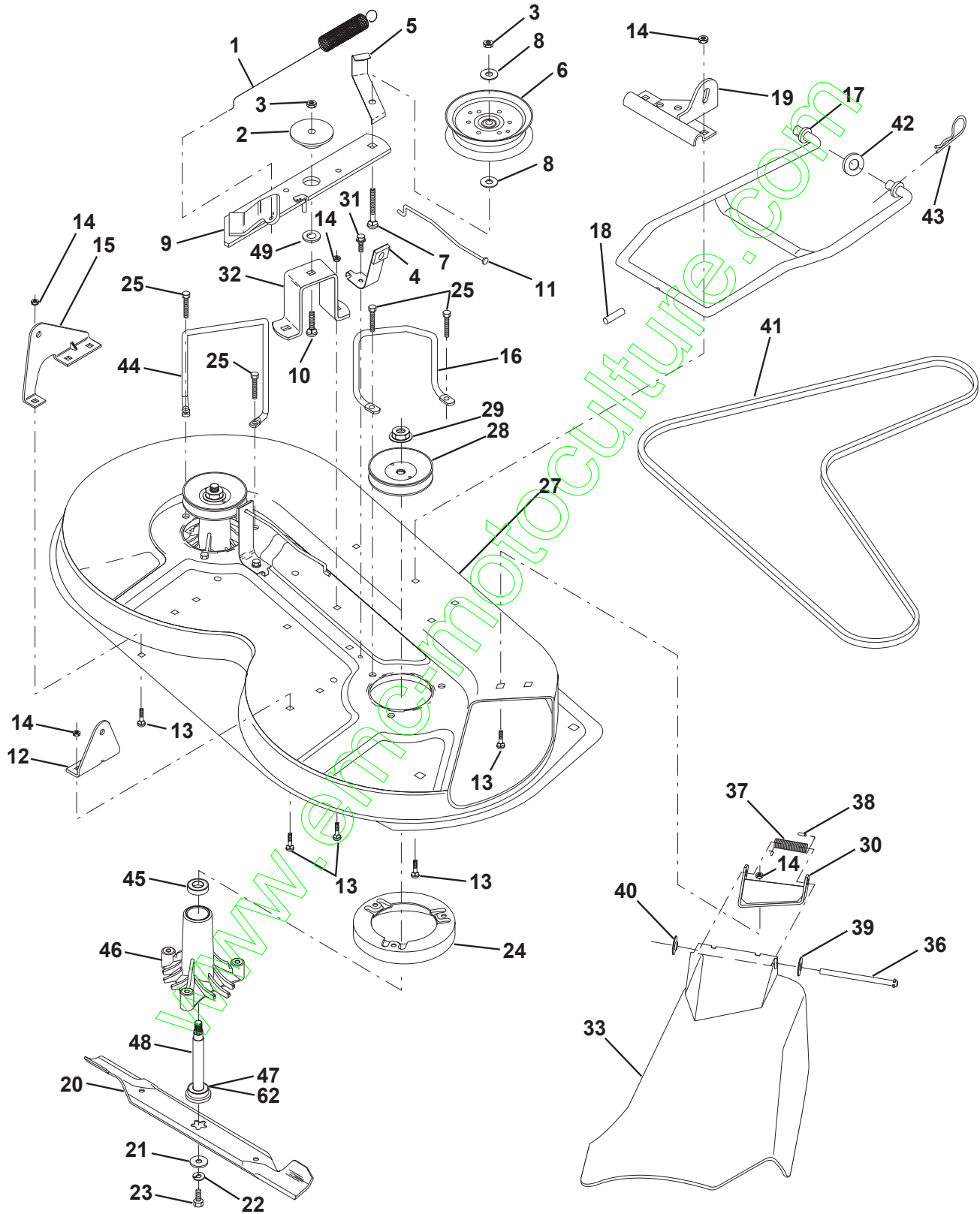


KEY NO.	PART NO.	DESCRIPTION	KEY NO.	PART NO.	DESCRIPTION
1	532126470	Clip, Insulated	17	532127359	Link, Front Lift
2	532122018	Bracket, Mower Clutch	18	532142028	Trunnion, Threaded 3/8-16
3	871110408	Bolt, Fin. Hex 1/4-20 UNC x 1/2	19	873680400	Nut, Keps 1/4-20
4	873680600	Nut, Crownlock 3/8-16 UNC	20	874760644	Bolt, Fin. Hex 3/8-16 UNC x 2-3/4
5	532145187	Assembly, Clutch Lever	23	876020416	Pin, Cotter 1/8 x 1
6	532106451	Bolt, Shoulder	24	819171612	Washer 17/32 x 1 x 12 Ga.
7	532135371	Assembly, Mower Clutch Arm	25	532121933	Tube, Spacer
8	874760636	Bolt, Hex 3/8-16 UNC x 2-1/4	26	532141470	Rod, Mower Lift
9	532121930	Assembly, Bellcrank Lift	27	532121466	Knob
10	876020412	Pin, Cotter 1/8 x 3/4	28	532124788	Retainer, Spring
11	819131316	Washer 13/32 x 13/16 x 16 Ga.	29	532131655	Link, Mower Clutch
12	532122027	Grip, Handle	30	873350600	Nut Hex Jam 3/8-16 x 1.30
13	532139352	Assembly, Lift Handle	31	819132012	Washer 13/32 x 1-1/4 x 12 Ga.
14	532123496	Spring, Compression	43	873900600	Nut Lock Flg 3/8-16 Unc
16	532124961	Retainer, Spring			

HARDWARE SHOWN LARGER FOR EASIER IDENTIFICATION

REPAIR PARTS

TRACTOR - MODEL NO. LR13A (J8F13H36TC), PRODUCT NO. 954 13 00-17
MOWER DECK



REPAIR PARTS

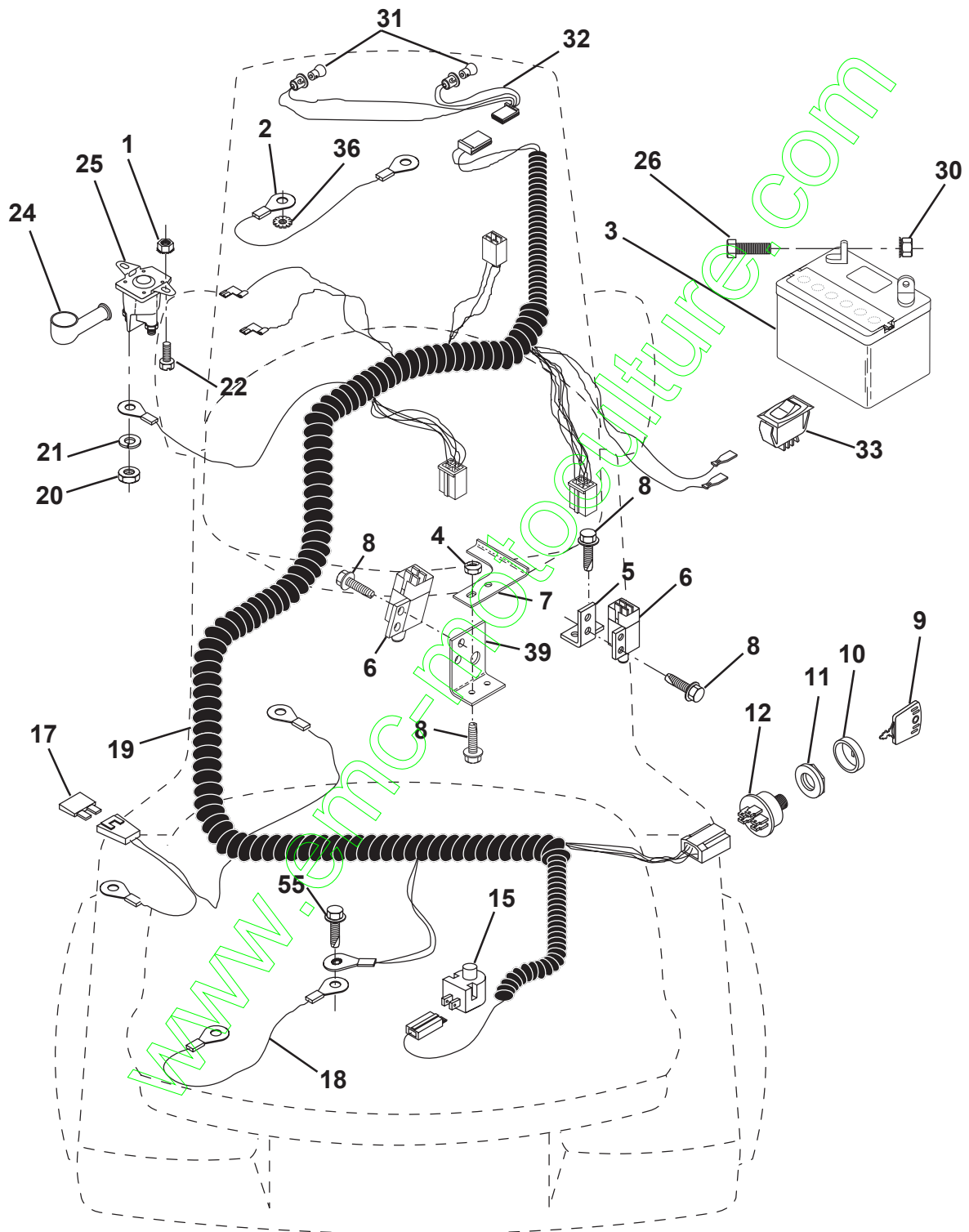
TRACTOR - MODEL NO. LR13A (J8F13H36TC), PRODUCT NO. 954 13 00-17
MOWER DECK

KEY NO.	PART NO.	DESCRIPTION	KEY NO.	PART NO.	DESCRIPTION
1	532140064	Spring, Mower Clutch	29	532137266	Nut, Flangelock 9/16
2	532165723	Spacer, Retainer	30	532136631	Bracket, Asm. Deflector
3	873680600	Nut, Crownlock 3/8-16	31	817490508	Screw, Hex Wsh. Thdrol. 5/16-18 x 1/2
4	532130840	Brake Asm.	32	532122051	Arm, Support Idler Mower
5	532131251	Guide, Belt Idler	33	532171156	Deflector
6	532121316	Pulley, Flat Idler	36	532121980	Rod, Hinge
7	872110616	Bolt, Carr. 3/8-16 x 1-3/4 Gr. 5	37	532123713	Spring, Torsion Deflector
8	819131410	Washer 13/21 x 7/8 x 10 Ga.	38	532105304	Cap, Sleeve
9	532127744	Arm Asm., Idler Mower	39	819111016	Washer 11/32 x 5/8 x 16 Ga.
10	872140610	Bolt, Carriage 3/8-16 x 1	40	532110452	Pushnut
11	532130841	Rod, Brake	41	530013133	V-Belt
12	532127356	Bracket, Lift R. H. Rear	42	819171616	Washer 11/32 x 5/8 16 Ga.
13	872140506	Bolt, Carriage 5/16-18 x 3/4	43	532124660	Retainer, Spring
14	873680500	Nut, Crownlock 5/16-18	44	532140608	Keeper, L. H.
15	532127357	Bracket, Lift L. H. Rear	45	532110485	Bearing
16	532153298	Keeper, R. H.	46	532128774	Housing Mandrel Vented
17	532128508	Link, Asm. Mower Stabilizer	47	532129895	Bearing
18	532128511	Pin, Drive	48	532137645	Shaft, Mandrel (Includes Key # 47)
19	532127380	Bracket, Asm. Front	49	532133943	Washer Hardened
20	531013126	Blade, High Performance	62	532153390	Washer, Felt
21	532140296	Washer, Hard	--	532130794	Mandrel Asm. (Includes Key No.'s 22- 23, 26, 29 and 45-48)
22	810030600	Washer, Lock 3/8	--	532156866	Deck, Mower Complete (Std. Deck - Order CE certification components separately, Kit No. EC36)
23	532850857	Bolt 3/8-24 x 1-1/4 Gr. 8			
24	532140329	Stripper			
25	532157722	Screw Thdrol Washer Hd			
27	532156600	Deck Assembly			
28	532153531	Pulley, Mandrel			

HARDWARE SHOWN LARGER FOR EASIER IDENTIFICATION

REPAIR PARTS

TRACTOR - MODEL NO. LR13A (J8F13H36TC), PRODUCT NO. 954 13 00-17
ELECTRICAL



REPAIR PARTS

TRACTOR - MODEL NO. LR13A (J8F13H36TC), PRODUCT NO. 954 13 00-17
ELECTRICAL

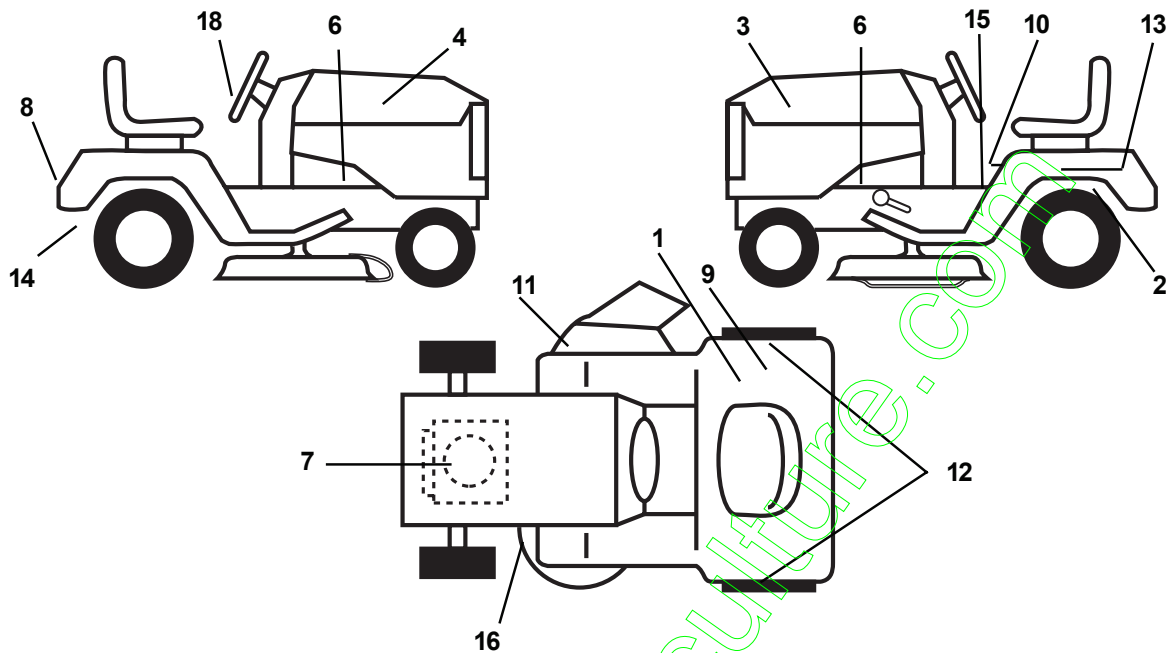
KEY NO.	PART NO.	DESCRIPTION
1	873640400	Nut, Hex Keps 1/4-20
2	532004560	Assembly, Cable
3	532144924	Battery
4	532069180	Nut, Lock #10-24 UNC
5	532108236	Bracket, Switch
6	532109553	Switch, Interlock (4-terminal)
7	532146374	Keeper Actuator
8	817021008	Screw, Hex Hd. Tap #10-24 x 1/2
9	532140401	Key, Molded
10	532141226	Cover, Key Ignition
11	532140400	Nut, Ignition
12	532163088	Switch, Ignition
15	532121305	Switch, Plunger
17	532166180	Fuse
18	532128353	Assembly, Cable
19	532170207	Harness, Ignition
20	873350400	Nut, Hex Jam, 1/4-20
21	810090400	Washer, Lock 1/4
22	871110408	Bolt, Fin. Hex 1/4-20 UNC x 1/2
24	532131563	Cover, Terminal
25	532145673	Solenoid
26	874760412	Bolt, Hex Hd. 1/4-20 UNC x 3/4
30	873510400	Nut, Keps Hex 1/4-20 UNC
31	532004152	Bulb, Light
32	532166181	Harness, Headlight
33	532110712	Switch, Light
36	811150400	Washer Lock Inter. Tooth 1/4
39	532141735	Bracket Switch Clutch
55	817490508	Screw Thdrol 5/16-18 x 1/2

HARDWARE SHOWN LARGER FOR EASIER IDENTIFICATION

REPAIR PARTS

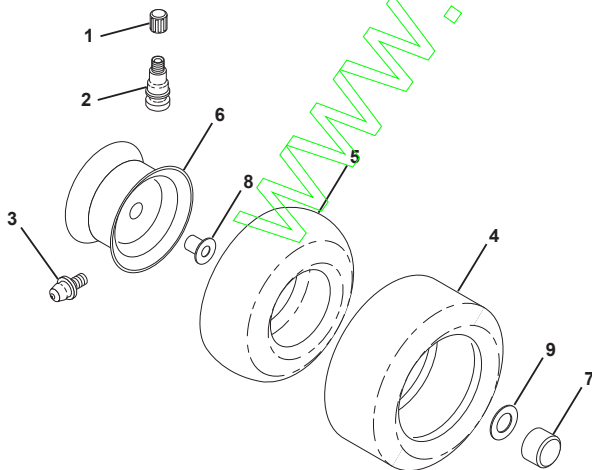
TRACTOR - MODEL NO. LR13A (J8F13H36TC), PRODUCT NO. 954 13 00-17

DECALS



KEY NO.	PART NO.	DESCRIPTION	KEY NO.	PART NO.	DESCRIPTION
1	532145437	Decal, Europ. Stand.. CE Tractors	13	532145005	Decal, Caution, Battery
2	532141484	Decal, Bypass	14	532162598	Decal, Drawbar Load Limit
3	532171289	Decal, Hood, L. H.	15	532159739	Decal, Instruction, Symbols
4	532171288	Decal, Hood, R. H.	16	532136830	Decal, V-Belt Sch.
6	532159736	Decal, Chassis Hot Muffler	18	532152252	Decal, Steering Wheel Insert
7	532163856	Decal, Engine	--	532138311	Decal, Height, Adj.
8	532141761	Decal, Logo, Fender	--	532172226	Manual, Operator's Euro
9	532126187	Decal, 100.DBA	--	532172227	Manual, Operator's Scan
10	532145498	Decal, Read Owner's Manual Sym.	Accessories not included with tractor		
11	532145494	Decal, Cutfinger	--	MK360	Mulch Kit
12	532150652	Decal, Fender Automatic	--	C36	Bagger

WHEELS & TIRES



KEY NO.	PART NO.	DESCRIPTION
1	532059192	Cap, Valve
2	532065139	Stem, Valve
3	532124957	Fitting, Grease\ (Front Wheels Only)
4	532137422	Tire, Front
4	532132703	Tire, Rear
5	532059904	Tube, Front (Optional Service Items Only)
5	532008134	Tube, Rear (Optional Service Items Only)
6	532142039	Rim, Front
6	532141652	Rim, Rear
7	532104757	Cap Axle
8	532124959	Bearing Flange
9	532121748	Washer 25/32 x 1-5/8 x 16 Ga.
--	532144334	Sealant, Tire (10 oz. Tube)