

063092

ILLUSTRATED PARTS BREAKDOWN

"1993"

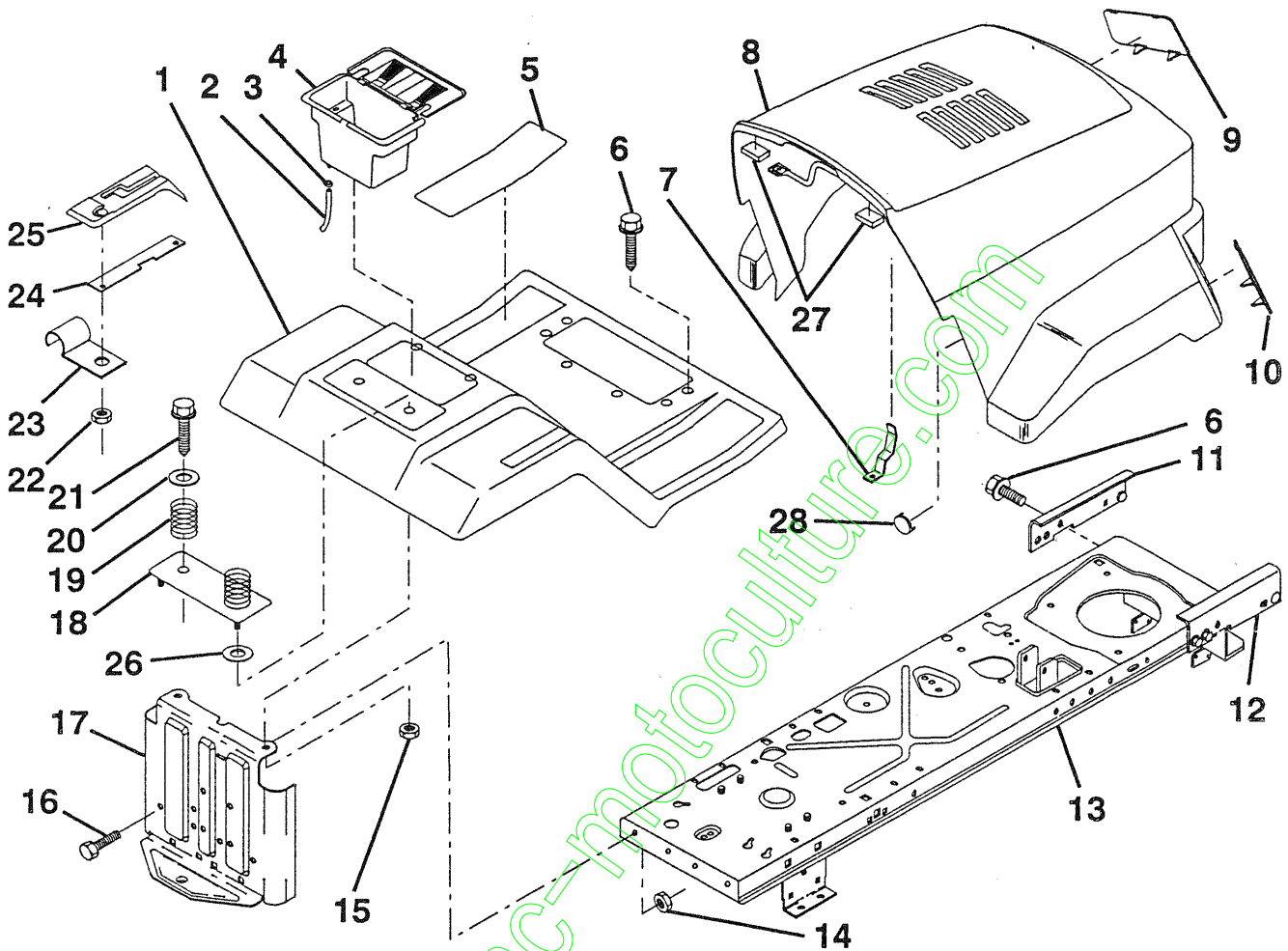
**HUSQVARNA
12 HP LAWN RIDER
MODEL NO. H1236D
954 00 03-92**

ORIGINAL FILE COPY
www.emc-motoculture.com

REPAIR PARTS

12 HP 36" LAWN TRACTOR - MODEL NO. H1236D, PRODUCT NO. 954 00 03-92

FENDER/CHASSIS



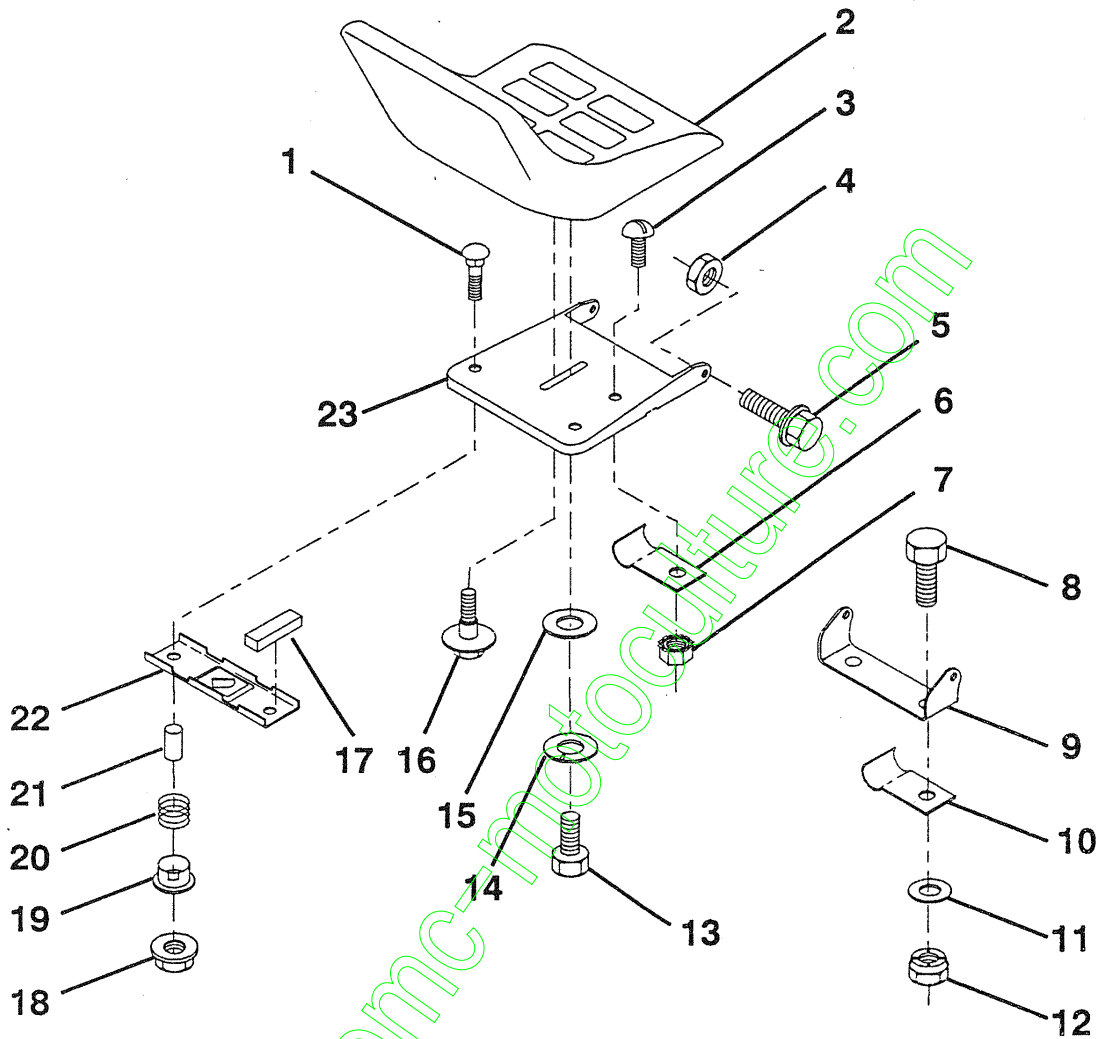
KEY NO.	PART NO.	DESCRIPTION	KEY NO.	PART NO.	DESCRIPTION
1	532125141	Fender/Footrest	15	873510400	Nut, Keps 1/4-20 UNC
2	532105687	Tube, Battery Drain	16	874760512	Bolt, Hex Hd. 5/16-18 UNC x 3/4
3	532109596	Clamp, Hose	17	532127880	Drawbar
4	532129965	Case, Battery	18	532125142	Plate, Asm. Battery
5	532124144	Pad, Footrest	19	532124181	Spring, Compression, Seat
6	817490512	Screw, Hex Wsh. Thrdrol. 5/16-18 x 3/4	20	819132012	Washer 13/32 x 1-1/4 x 12 Ga.
7	532131318	Latch, Hood	21	817490612	Screw, Hex Wsh. Thrdrol. 3/8-16 x 3/4
8	532131053	Hood/Grill Asm. (Includes Key Nos. 21 and 22)	22	532124346	Nut, Self-Threading, Washer Head 3/16
9	532130986	Lens, L.H.	23	532126470	Clip, Insulated
10	532130985	Lens, R.H.	24	532124602	Bar, Shift Lock
11	532128449	Bracket, Asm. Pivot Frame, L.H.	25	532126996	Console, Shift Control
12	532128808	Bracket, Asm. Pivot Frame, R.H.	26	819091413	Washer 9/32 x 7/8 x 13 Ga.
13	532133384	Assembly, Frame	27	532126938	Bumper, Hood
14	873680500	Nut, Crownlock 5/16-18	28	532131319	Plug Socket Light

HARDWARE SHOWN LARGER FOR EASIER IDENTIFICATION

REPAIR PARTS

12 HP 36" LAWN TRACTOR - MODEL NO. H1236D, PRODUCT NO. 954 00 03-92

SEAT

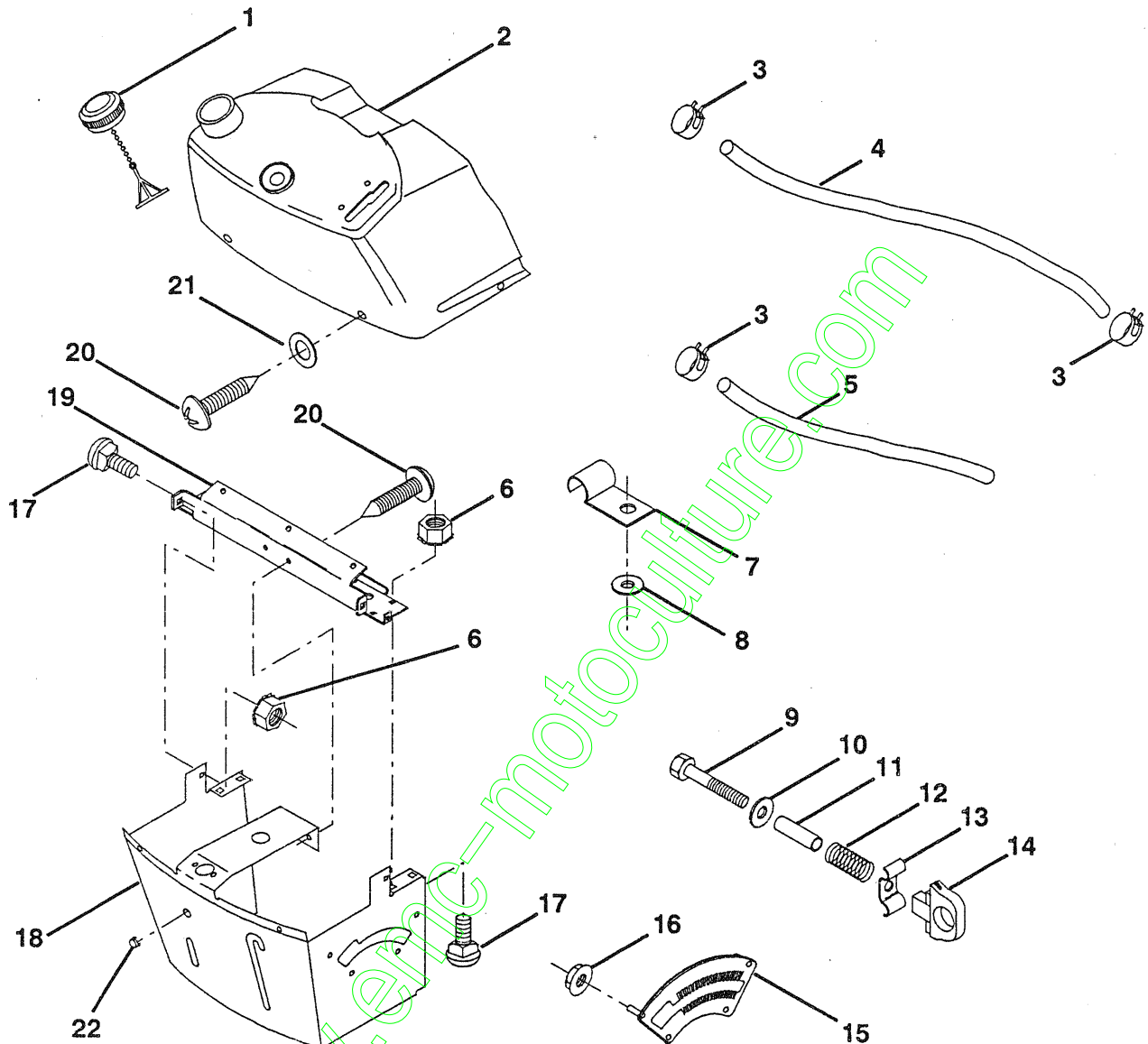


KEY NO.	PART NO.	DESCRIPTION	KEY NO.	PART NO.	DESCRIPTION
1	872050411	Bolt, Carriage 1/4-20 x 1-3/8	12	873680600	Nut, Crownlock 3/8-16 UNC
2	532130875	Seat	13	874780814	Bolt Hex 1/2-13 x 7/8
3	874641008	Screw, Slotted Pan Head #10-32 x 1/2	14	810040800	Washer Lock Hvy. Helical Spring 1/2
4	873680500	Nut, Crownlock 5/16-18	15	819171912	Washer, 17/32 x 1-3/16 x 12 Ga.
5	532105529	Bolt, Shoulder 5/16-18 UNC	16	532127018	Bolt, Shoulder
6	532124967	Clip, Insulated	17	532121251	Strip, Foam
7	873951000	Nut, Keps #10-32 UNF	18	532123976	Nut, Hex Large Flange Lock
8	874760612	Bolt, Fin Hex 3/8-16 UNC x 3/4	19	532121248	Bushing, Snap
9	532126656	Bracket, Pivot Seat	20	532121250	Spring, Compression
10	532126471	Clip, Insulated	21	532121249	Spacer, Split 28 Id. x .88 Lg.
11	819133210	Washer 12/32 x 2 x 10 Ga.	22	532121246	Bracket, Switch, Mounting
			23	532131451	Pan, Seat

HARDWARE SHOWN LARGER FOR EASIER IDENTIFICATION

REPAIR PARTS

12 HP 36" LAWN TRACTOR - MODEL NO. H1236D, PRODUCT NO. 954 00 03-92
DASH

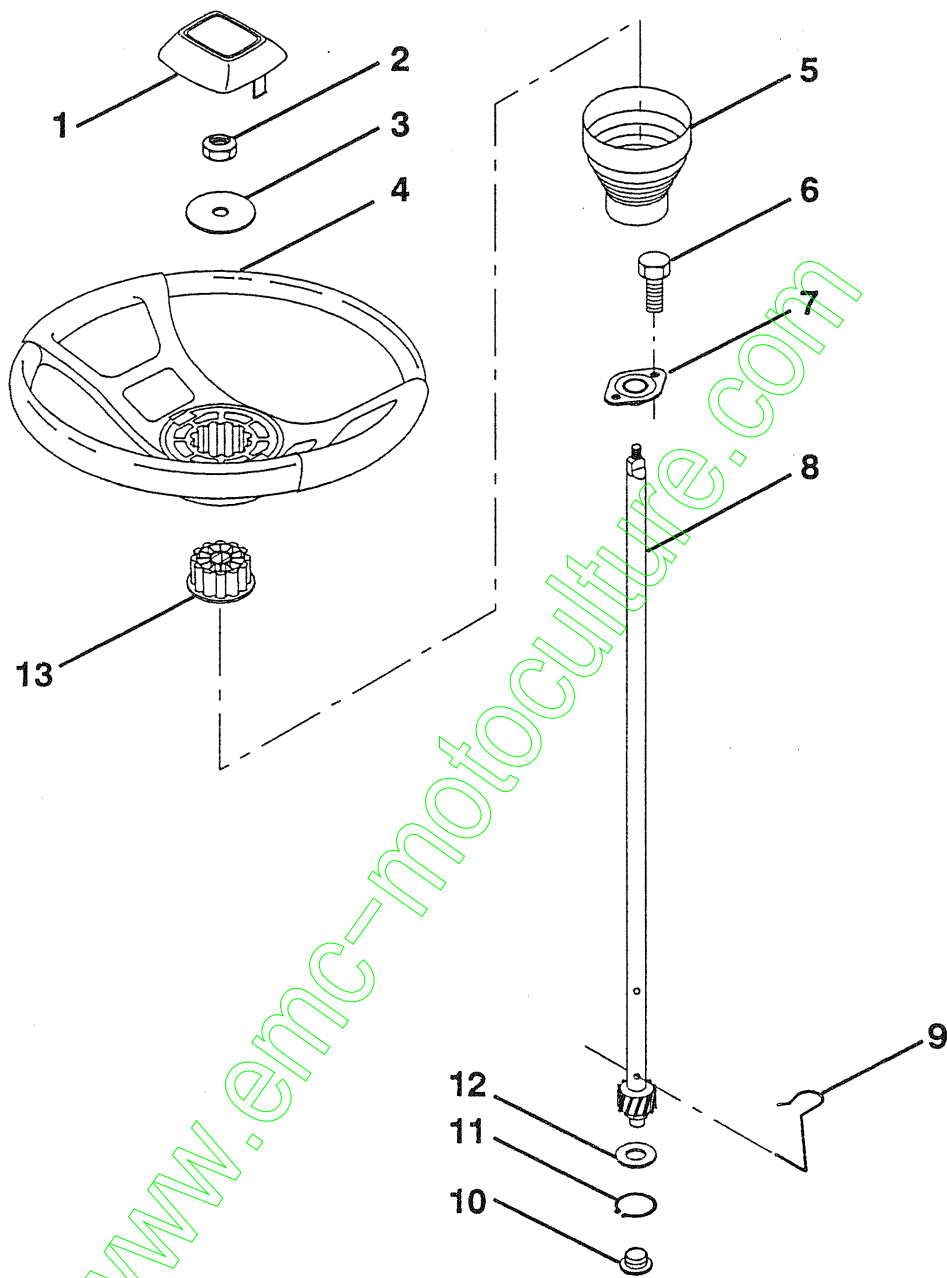


KEY NO.	PART NO.	DESCRIPTION	KEY NO.	PART NO.	DESCRIPTION
1	532127399	Cap, Fuel	12	532003720	Spring
2	532130915	Assembly, Dash & Fuel Tank	13	532126450	Clip, Height Adjustment
3	532123487	Clamp, Hose	14	532126115	Knob, Height Stop
4	532008544	Line, Fuel	15	532122023	Adjustment, Quadrant Height
5	532008548	Line, Fuel	16	532124346	Nut, Self-Threading 3/16-18
6	873510400	Nut, Hex, Keps 1/4-20	17	872110404	Bolt, Carriage 1/4-20 x 1/2 Gr. 5
7	532124996	Clip, Fuel Line	18	532130745	Support Assembly, Dash
8	819091216	Washer 9/32 x 3/4 x 16 Ga.	19	532134744	Brace, Cross
9	874760428	Bolt, Hex, Fin 1/4-20 x 1-3/4	20	818000408	Screw, Self-Tapping 1/4-20 x 1/2
10	819091413	Washer 11/32 x 11/16 x 16 Ga.	21	819090816	Washer 9/32 x 1/2 x 16 Ga.
11	532121249	Spacer, Split	22	532134014	Plug Dome Black

HARDWARE SHOWN LARGER FOR EASIER IDENTIFICATION

REPAIR PARTS

12 HP 36" LAWN TRACTOR - MODEL NO. H1236D, PRODUCT NO. 954 00 03-92
STEERING WHEEL



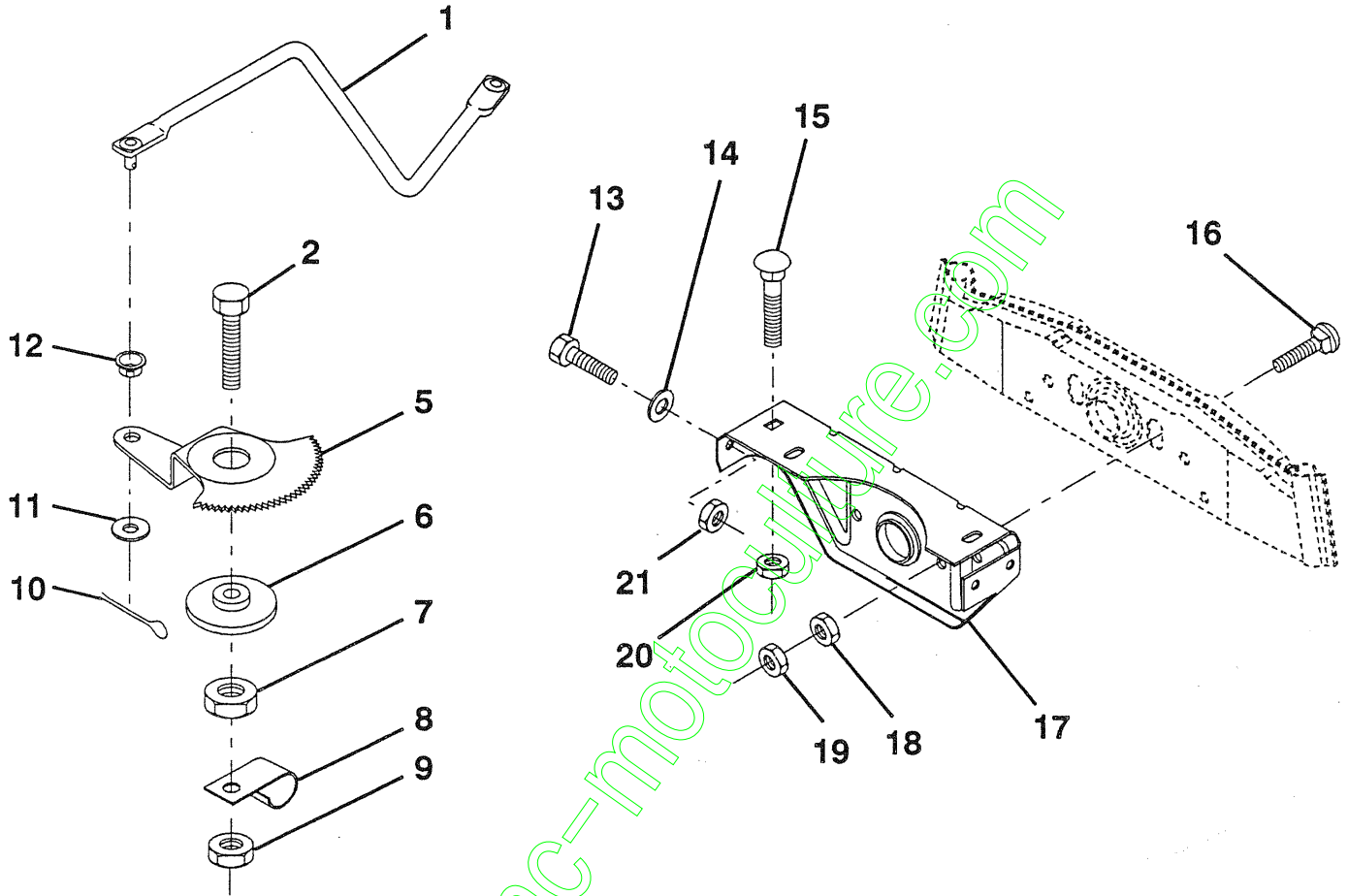
KEY NO.	PART NO.	DESCRIPTION
1	532124416	Insert, Wheel, Steering
2	532124701	Nut, Lock 3/8-24 UNF
3	819133808	Washer 12/32 x 2-3/8 x 8 Ga.
4	532124415	Wheel, Steering
5	532127396	Sleeve, Steering
6	817431008	Screw, Hex #10-16 x 1/2 TY-B
7	532102803	Bushing, Steering

KEY NO.	PART NO.	DESCRIPTION
8	532123651	Shaft, Steering
9	532124210	Clip, Steering
10	532123438	Bushing, Lower, Steering
11	812000045	Ring, Retaining
12	819211616	Washer 21/32 x 1 x 16 Ga.
13	532104820	Adaptor, Wheel, Steering

HARDWARE SHOWN LARGER FOR EASIER IDENTIFICATION

REPAIR PARTS

12 HP 36" LAWN TRACTOR - MODEL NO. H1236D, PRODUCT NO. 954 00 03-92
SECTOR GEAR / AXLE SUPPORT



KEY NO.	PART NO.	DESCRIPTION
1	532132566	Link, Drag
2	874780828	Bolt, Fin Hex 1/2-13 x 1-3/4
5	532121926	Gear, Sector
6	532121927	Bushing
7	873030800	Nut, Heavy Hex Top Lock 1/2-13 UNC
8	532126472	Clip, Insulated
9	873680800	Nut, Crownlock 3/8-16
10	876020412	Pin, Cotter 1/8 x 3/4
11	819131316	Washer, 13/32 x 13/16 x 16 Ga.

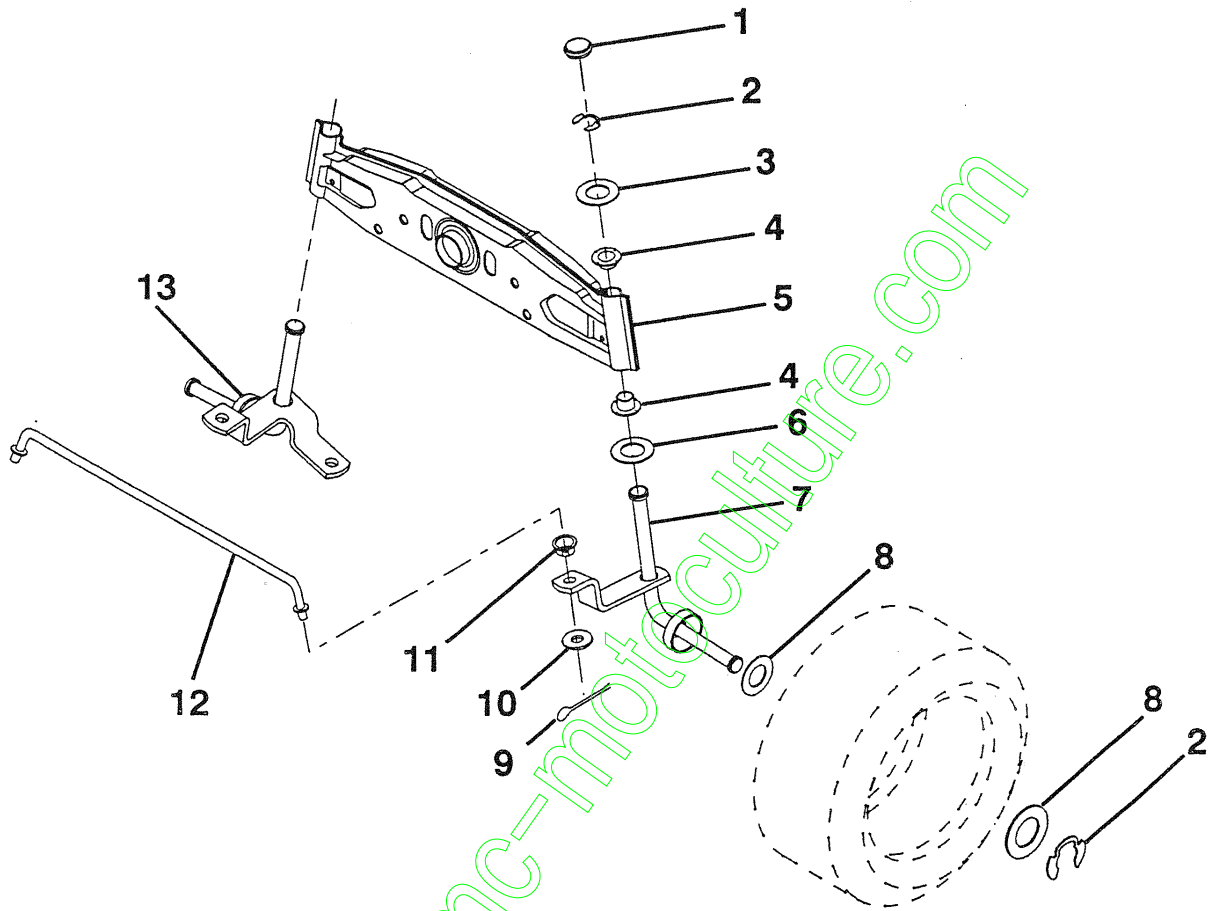
KEY NO.	PART NO.	DESCRIPTION
12	532126847	Bushing
13	874760516	Bolt, Hex Hd. 5/16-18 UNC x 1
14	819111416	Washer 11/32 x 7/8 x 16 Ga.
15	872110606	Bolt, Carriage 3/8-16 UNC x 3/4
16	872140622	Bolt, Carriage
17	532121912	Support, Front Axle
18	873220600	Nut, Fin Hex 3/8-16 UNC
19	873930600	Nut, Centerlock 3/8-16 UNC
20	873680600	Nut, Crownlock 3/8-16 UNC
21	873680500	Nut, Crownlock 5/16-18

HARDWARE SHOWN LARGER FOR EASIER IDENTIFICATION

REPAIR PARTS

12 HP 36" LAWN TRACTOR - MODEL NO. H1236D, PRODUCT NO. 954 00 03-92

FRONT AXLE

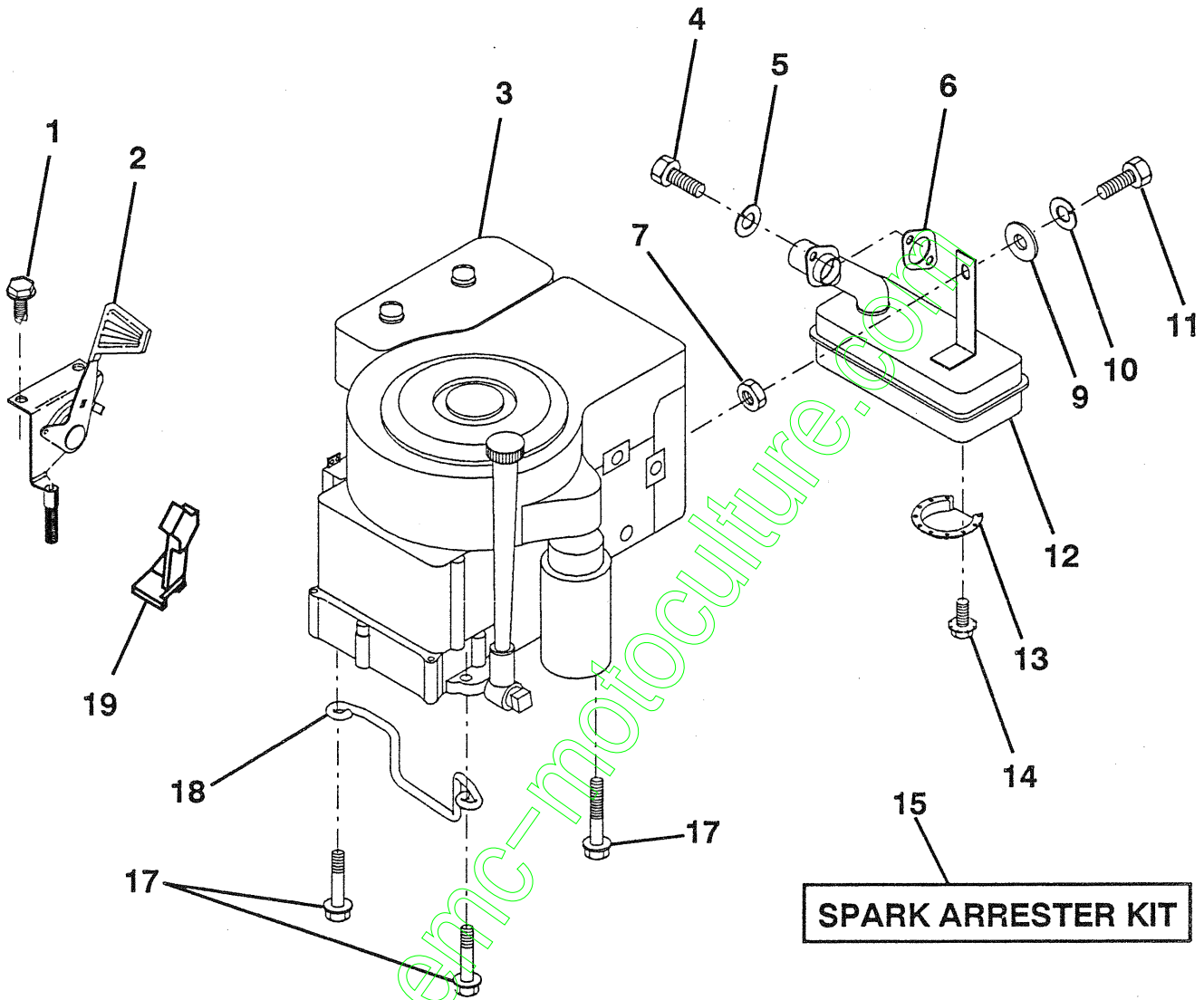


KEY NO.	PART NO.	DESCRIPTION	KEY NO.	PART NO.	DESCRIPTION
1	532121232	Cap, Spindle	8	532121749	Washer 25/32 x 1-1/4 x 16 Ga.
2	812000029	Ring, Clip	9	876020412	Pin, Cotter 1/8 x 3/4
3	532121748	Washer 25/32 x 1-5/8 x 16 Ga.	10	819131316	Washer 13/32 x 13/16 x 16 Ga.
4	532121922	Nyliner	11	532126847	Bushing
5	532128543	Axle, Front	12	532121924	Rod, Tie
6	532124931	Bearing, Thrust	13	532121916	Spindle, L.H. Asm.
7	532121919	Spindle, R.H. Asm.			

HARDWARE SHOWN LARGER FOR EASIER IDENTIFICATION

REPAIR PARTS

12 HP 36" LAWN TRACTOR - MODEL NO. H1236D, PRODUCT NO. 954 00 03-92
ENGINE

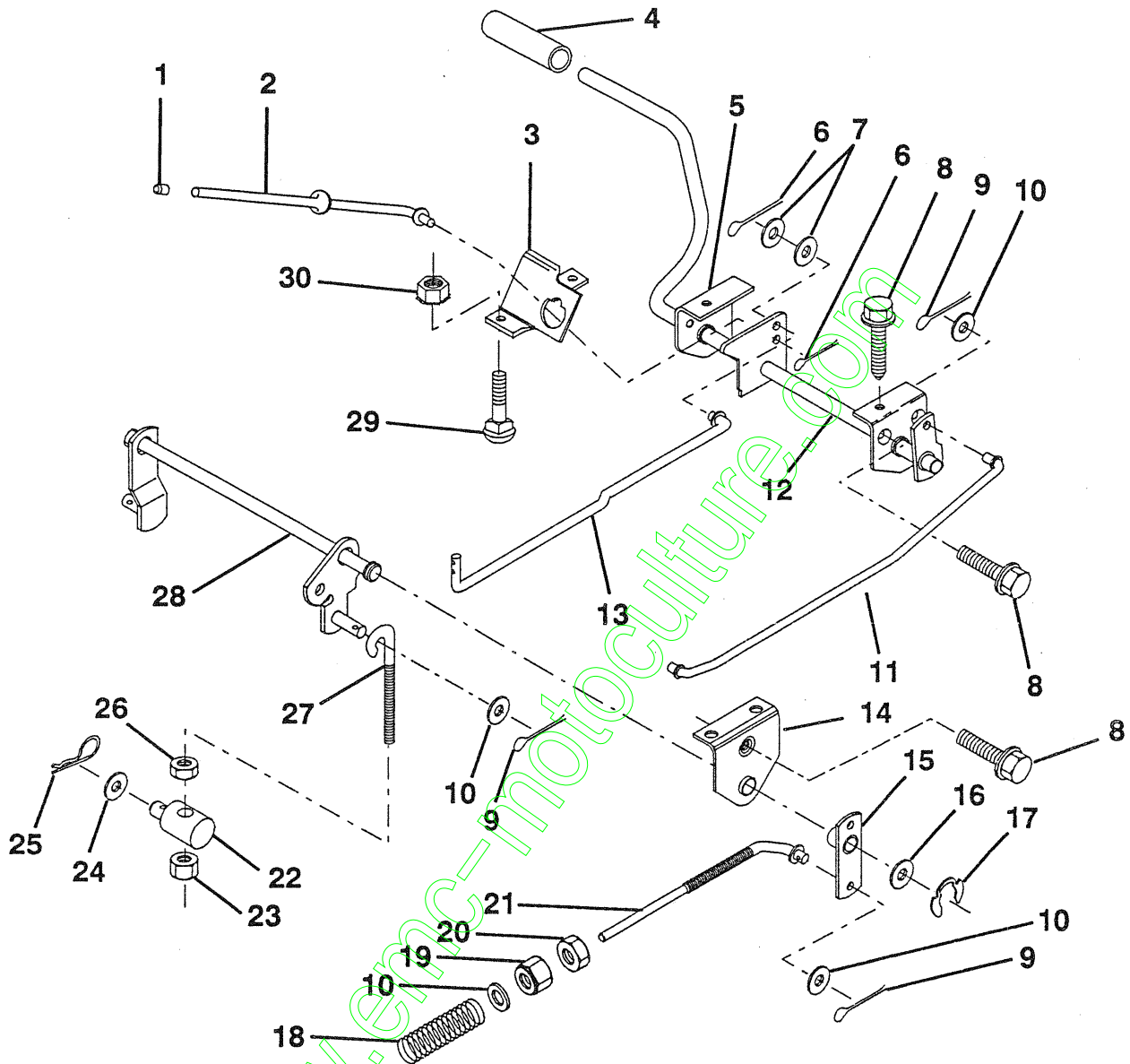


KEY NO.	PART NO.	DESCRIPTION	KEY NO.	PART NO.	DESCRIPTION
1	817720408	Screw, Hex Thd. Cut 1/4-20 x 1/2	11	874780416	Bolt, Hex Fin. 1/4-20 UNC x 1
2	532133025	Control, Throttle	12	532123676	Muffler
3	-----	Engine, Briggs and Stratton Model No. 282707	13	532101326	Deflector, Muffler
4	871070512	Screw, Hex, Cap 5/16-18 x 3/4	14	817030808	Screw, Spiderlock Hex Hd. 8 x 1/2 ABTPS
5	810040500	Washer, Lock Heavy Helical Spring 5/16	15	532121851	Arrester, Spark (Optional equipment)
6	532125593	Gasket, Exhaust	17	817490624	Screw, Hex Washer Head, Thdrol. 3/8-16 x 1-1/2
7	873220500	Nut Fin Hex 5/16-18	18	532126636	Keeper, Ground Drive Belt
9	819101216	Washer 5/16 x 3/4 x 16	19	532127951	Stop, Throttle
10	810040400	Washer, Lock Heavy Helical Spring 1/4			

HARDWARE SHOWN LARGER FOR EASIER IDENTIFICATION

REPAIR PARTS

12 HP 36" LAWN TRACTOR - MODEL NO. H1236D, PRODUCT NO. 954 00 03-92
BRAKE / REAR MOWER LIFT ASSEMBLY

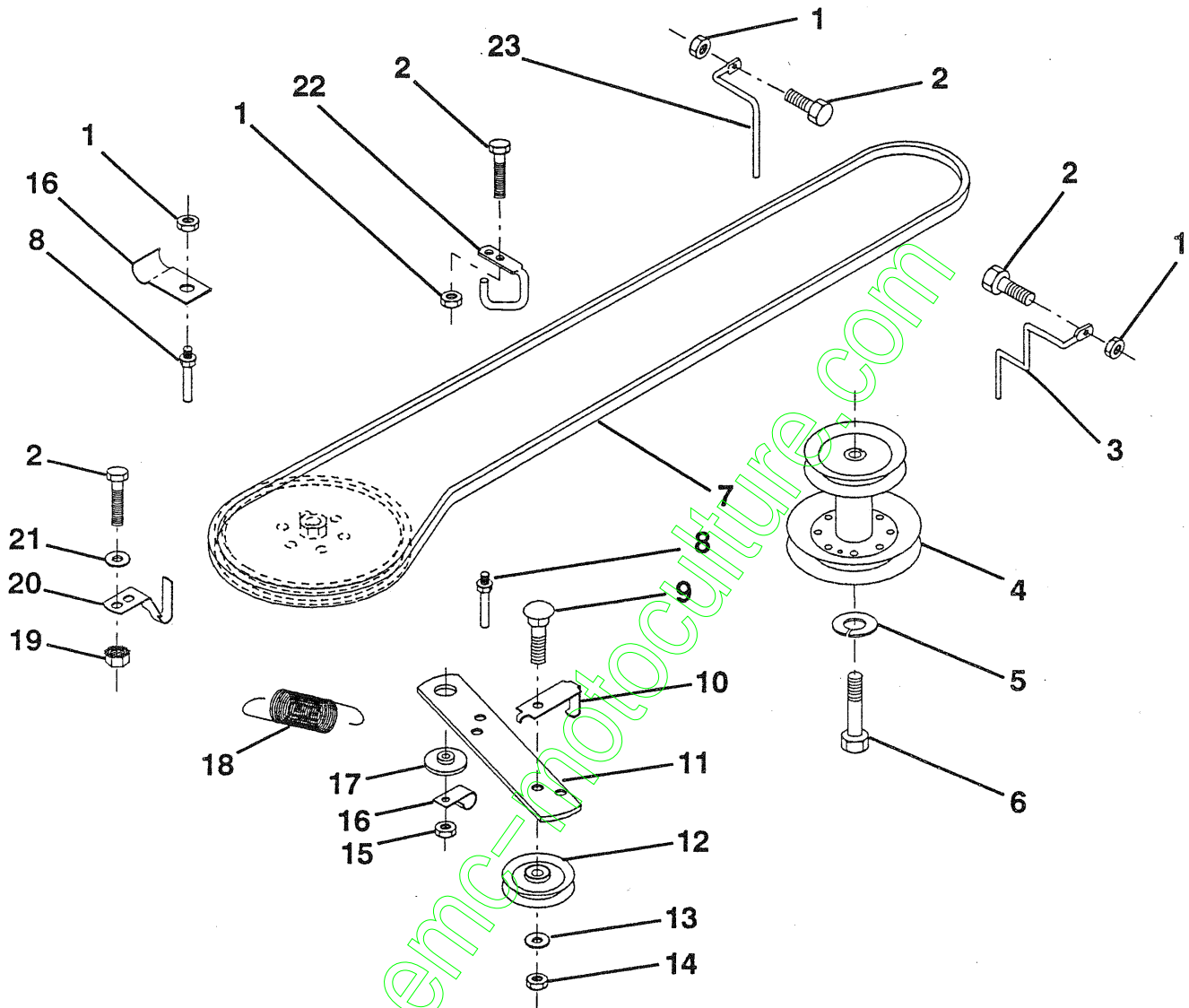


KEY NO.	PART NO.	DESCRIPTION	KEY NO.	PART NO.	DESCRIPTION
1	532071673	Cap, Plunger	16	819251816	Washer 25/32 x 1-1/8 x 16 Ga.
2	532123436	Rod, Parking Brake	17	812000034	Ring, Klip
3	532123437	Bracket, Parking Brake	18	532106888	Spring, Brake Rod
4	532008156	Cover, Pedal	19	873350600	Nut, Hex, Jam 3/8-16 UNC
5	532122504	Bracket, Clutch/Brake Pedal, L.H.	20	873800600	Locknut, Hex w/Washer Insert 3/8-16 UNC
6	876020312	Pin, Cotter 13/32 x 3/4	21	532131460	Rod, Rear Brake
7	819131016	Washer 13/32 x 5/8 x 16 Ga.	22	532127378	Trunnion, Lift
8	817490508	Screw, Hex, Thd. Roll. 5/16-18 x 1/2	23	873680600	Nut, Crownlock 3/8-16 UNC
9	876020412	Pin, Cotter 1/8 x 3/4	24	819132012	Washer 13/32 x 1-1/4 x 12 Ga.
10	819131316	Washer 13/32 x 13/16 x 16 Ga.	25	532124961	Spring, Retainer
11	532123543	Rod, Brake Front	26	873930600	Nut, Centerlock 3/8-16 UNC
12	532133483	Assembly, Clutch/Brake Pedal	27	532127369	Link, Threaded
13	532123394	Rod, Clutch	28	532127358	Assembly, Rear Mower Lift
14	532121978	Bracket, Lift, Shaft	29	872110506	Bolt, Carriage 5/16-18 UNC x 3/4
15	532133332	Assembly, Brake, Pivot, Arm	30	873510500	Nut, Keps 5/16-16 UNC

HARDWARE SHOWN LARGER FOR EASIER IDENTIFICATION

REPAIR PARTS

12 HP 36" LAWN TRACTOR - MODEL NO. H1236D, PRODUCT NO. 954 00 03-92
GROUND DRIVE

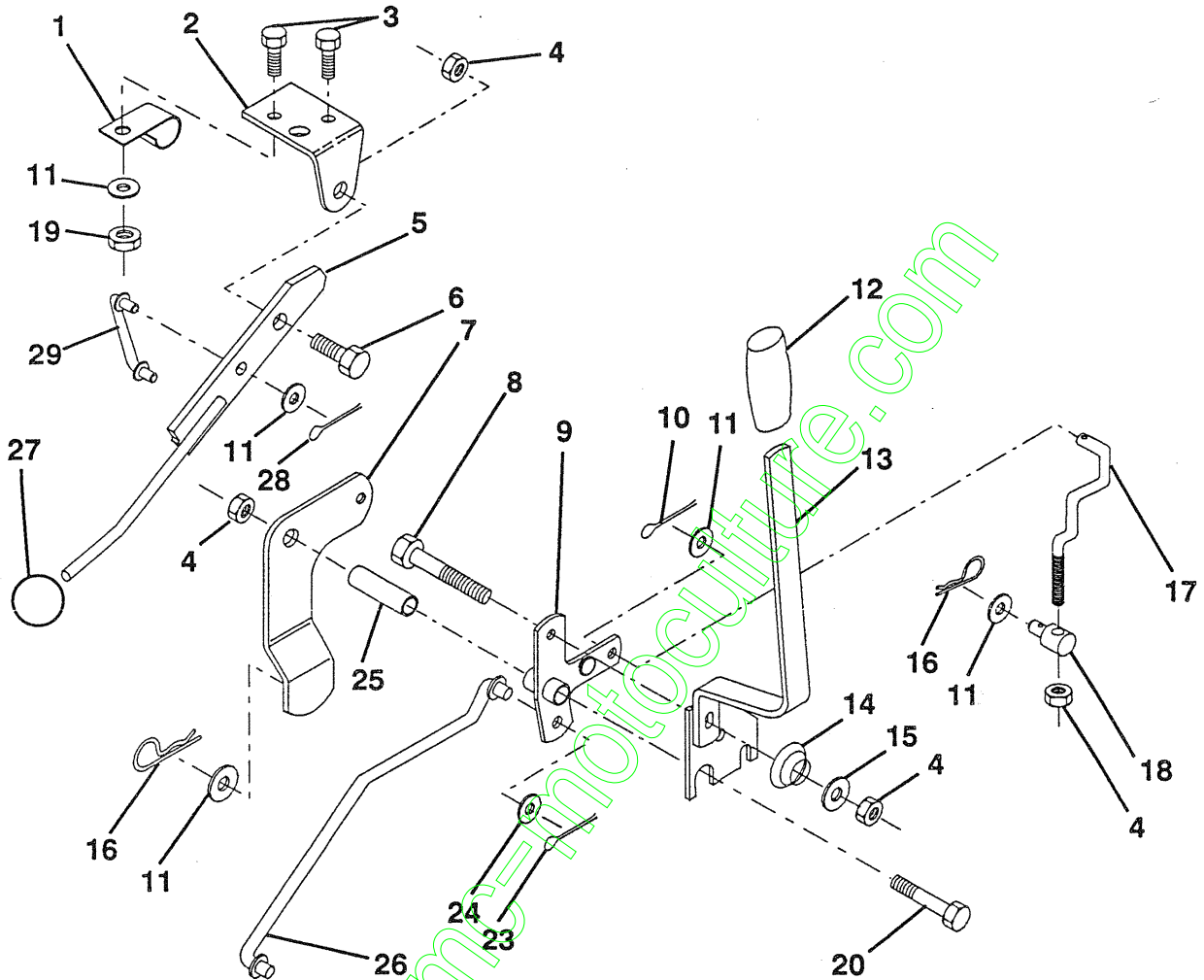


KEY NO.	PART NO.	DESCRIPTION	KEY NO.	PART NO.	DESCRIPTION
1	873680500	Nut, Crownlock 5/16-18	13	819131316	Washer 13/32 x 13/16 x 16 Ga.
2	874760512	Bolt, Hex Hd 5/16-18 UNC x 3/4	14	873930600	Nut, Centerlock 3/8-16 UNC
3	532131205	Keeper, Mower Drive, R. H.	15	873680600	Nut, Crownlock 3/8-16 UNC
4	532134828	Pulley, Engine	16	532126471	Clip, Insulated
5	810040700	Washer, Lock 7/16	17	532122052	Spacer, Retainer
6	871170744	Bolt Hex 7/16-20 Gr. 5	18	532131459	Spring Extension
7	532126520	Traction, V-Belt Drive	19	873510500	Nut, Keps 5/16-18 UNC
8	532123405	Keeper, T/A Ground Drive Belt	20	532123891	Keeper, T/A Ground Drive Belt
9	872140612	Bolt, Carr. 3/8-16 UNC x 1-1/2	21	819111016	Washer 11/32 x 5/8 x 16 Ga.
10	532123396	Keeper, Belt Ground Drive Idler	22	532123404	Keeper, Frame Ground Drive Belt
11	532123395	Arm, Ground Drive Clutch	23	532131204	Keeper, Mower Drive, L. H.
12	532004859	Idler, Flat			

HARDWARE SHOWN LARGER FOR EASIER IDENTIFICATION

REPAIR PARTS

12 HP 36" LAWN TRACTOR - MODEL NO. H1236D, PRODUCT NO. 954 00 03-92
MOWER LIFT LEVER

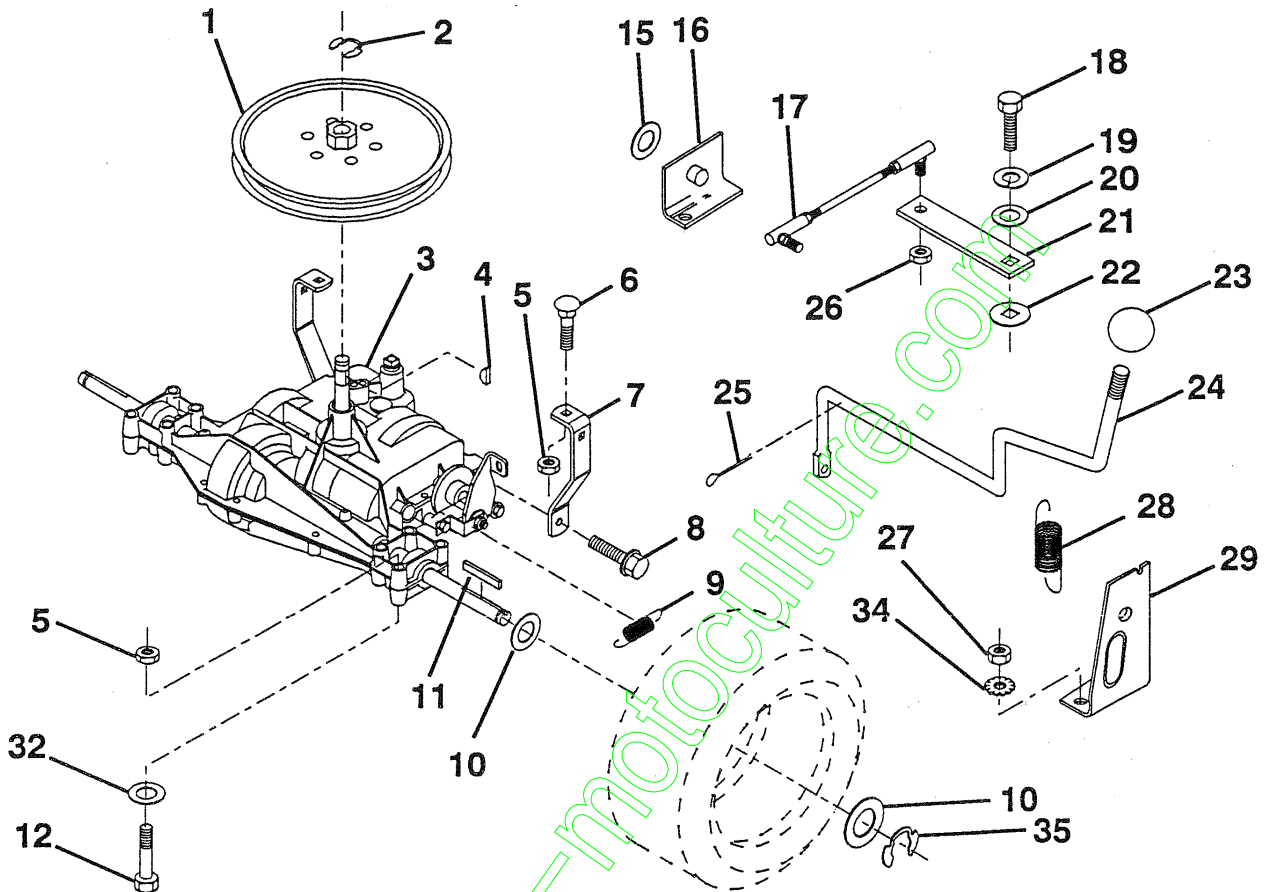


KEY NO.	PART NO.	DESCRIPTION	KEY NO.	PART NO.	DESCRIPTION
1	532126470	Clip, Insulated	15	819131212	Washer 13/32 x 3/4 x 12 Ga.
2	532122018	Bracket, Mower Clutch	16	532124961	Retainer, Spring
3	874780408	Bolt, Fin. Hex 1/4-20 UNC x 1/2 Gr. 5	17	532127359	Link, Front Lift
4	873680600	Nut, Crownlock 3/8-16 UNC	18	532133205	Trunnion, Threaded 3/8-16
5	532123417	Assembly, Clutch Lever	19	873680400	Nut, Crownlock 1/4-20
6	532106451	Bolt, Shoulder	20	874760644	Bolt, Fin. Hex 3/8-16 UNC x 2-3/4
7	532135371	Assembly, Mower Clutch Arm	23	876020416	Pin, Cotter 1/8 x 1
8	874760636	Bolt, Hex 3/8-16 UNC x 2-1/4	24	819171616	Washer 17/32 x 1 x 16 Ga.
9	532121930	Assembly, Bracket Lift	25	532121933	Tube, Spacer
10	876020412	Pin, Cotter 1/8 x 3/4	26	532121934	Rod, Mower Lift
11	819131316	Washer 13/32 x 13/16 x 16 Ga.	27	532106932	Knob
12	532131861	Grip, Handle	28	876020312	Pin, Cotter 3/32 x 3/4
13	532127028	Assembly, Lift Handle	29	532131655	Link, Mower Clutch
14	532123496	Spring, Compression			

HARDWARE SHOWN LARGER FOR EASIER IDENTIFICATION

REPAIR PARTS

12 HP 36" LAWN TRACTOR - MODEL NO. H1236D, PRODUCT NO. 954 00 03-92
TRANSAXLE

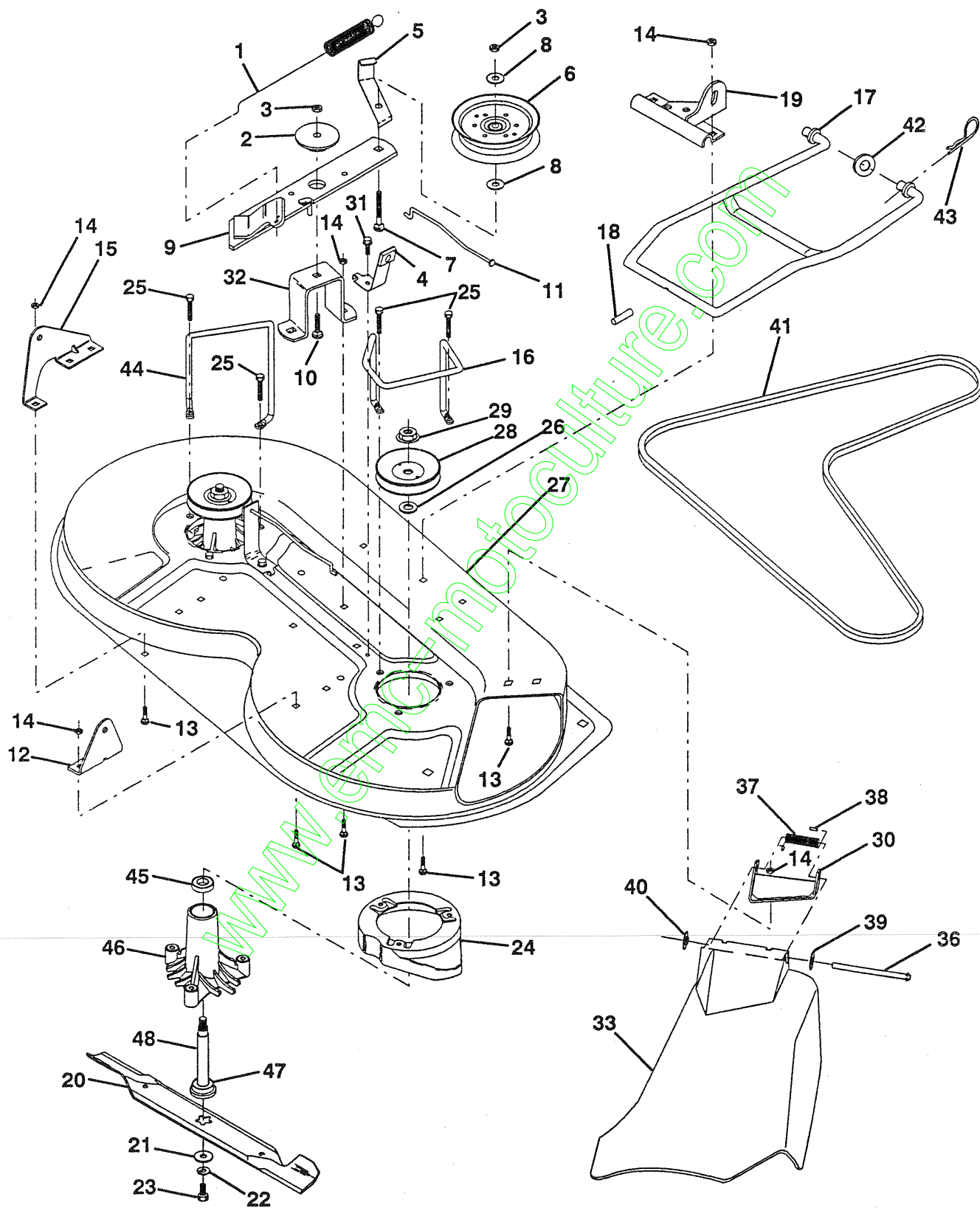


KEY NO.	PART NO.	DESCRIPTION	KEY NO.	PART NO.	DESCRIPTION
1	532123385	Pulley	18	871040412	Bolt, Fin Hex 1/4-28 UNF x 3/4 Gr. 8
2	812000028	Ring, Retainer	19	810040400	Washer, Lock 1/4
3	-----	Transaxle, Peerless 4 Spd. Model No. 930-026	20	819091210	Washer 9/32 x 3/4 x 10 Ga.
4	532125096	Key, Woodruff #9	21	532126292	Arm, Shift
5	873680500	Nut, Crownlock 5/16-18	22	532105701	Washer, Shift Plate
6	872140506	Bolt, Carriage 5/16-18 UNC x 3/4	23	532106933	Knob, Rd 1/2-13
7	532123378	Strap, Torque	24	5321128215	Rod Shift
8	817490512	Screw 5/16-18 x 3/4	24	532128202	Handle, Asm. Shift
9	532110422	Spring, Brake	25	876020416	Pin, Cotter 1/8 x 1
10	532121749	Washer 25/32 x 1-1/4 x 16 Ga.	26	873810500	Locknut 5/16-24 UNF
11	532123583	Key, Square	27	873510500	Nut, Keps 5/16-18
12	874760540	Bolt, Fin Hex 5/16-18 x 2-1/2	28	532128085	Extension, Spring
15	819171616	Washer 17/32 x 1 x 16 Ga.	29	532128084	Support Handle Shift RH
16	532124600	Support Handle Shift LH	32	819111116	Washer 11/32 x 11/16 x 16 Ga.
17	532126293	Link, Shift	34	811050500	Washer External Tooth 5/16
			35	812000001	E-Ring

HARDWARE SHOWN LARGER FOR EASIER IDENTIFICATION

REPAIR PARTS

12 HP 36" LAWN TRACTOR - MODEL NO. H1236D, PRODUCT NO. 954 00 03-92
MOWER DECK



REPAIR PARTS

12 HP 36" LAWN TRACTOR - MODEL NO. H1236D, PRODUCT NO. 954 00 03-92

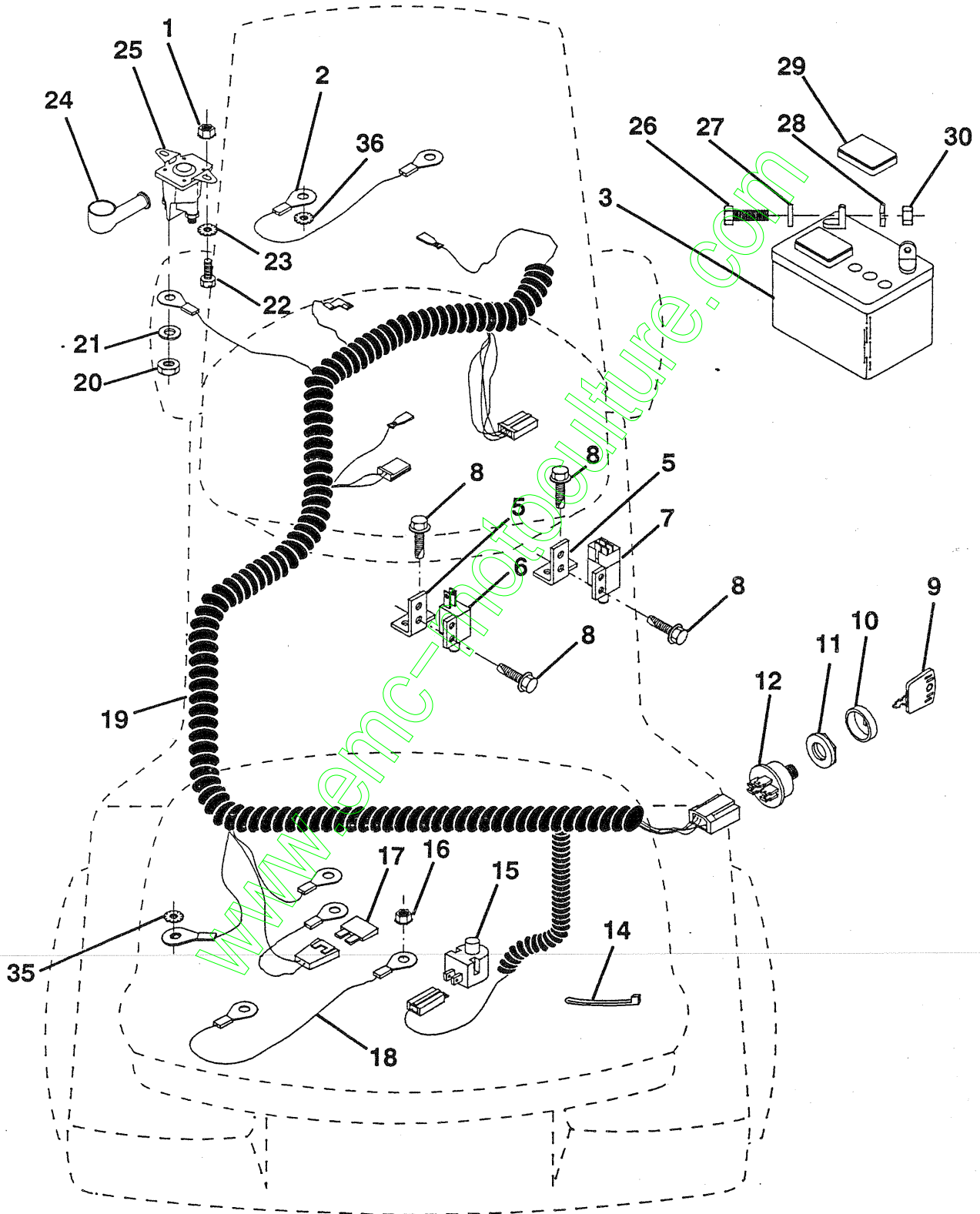
MOWER DECK

KEY NO.	PART NO.	DESCRIPTION	KEY NO.	PART NO.	DESCRIPTION
1	532127743	Spring, Mower Clutch	26	532129963	Washer .150 Thk.
2	532122052	Spacer, Retainer	27	532129983	Deck Assembly
3	873680600	Nut, Crownlock	28	532129207	Pulley, Mandrell
4	532130840	Brake Asm.	29	873050900	Nut, Flangelock 9/16
5	532131251	Guide, Belt Idler	30	532136631	Bracket, Asm. Deflector
6	532121316	Pulley, Flat Idler	31	817490508	Screw, Hex Wsh. Thdrol. 5/16-18 x 1/2
7	872110616	Bolt, Carr. 3/8-16 x 1-3/4 Gr. 5	32	532122051	Arm, Support Idler Mower
8	819131410	Washer 13/21 x 7/8 x 10 Ga.	33	532131560	Deflector
9	532127744	Arm Asm., Idler Mower	36	532121980	Rod, Hinge
10	872110608	Bolt, Carriage 3/8-16 x 1	37	532123713	Spring, Torsion Deflector
11	532130841	Rod, Brake	38	532105304	Cap, Sleeve
12	532127356	Bracket, Lift R. H. Rear	39	819111016	Washer 11/32 x 5/8 x 16 Ga.
13	872140505	Bolt, Carriage 5/16-18 x 5/8	40	532110452	Pushnut
14	873680500	Nut, Crownlock 5/16-18	41	532131264	V-Belt
15	532127357	Bracket, Lift L. H. Rear	42	819171616	Washer 11/32 x 5/8 16 Ga.
16	532130837	Keeper, R. H.	43	532124660	Retainer, Spring
17	532128508	Link, Asm. Mower Stabilizer	44	532130836	Keeper, L. H.
18	532128511	Pin, Drive	45	532110485	Bearing
19	532127380	Bracket, Asm. Front	46	532128774	Housing Mandrel Vented
20	532127841	Blade	47	532129895	Bearing
21	532129962	Washer, Hard	48	532133172	Shaft, Mandrel (Includes Key # 47)
22	810030600	Washer, Lock 3/8	--	532130794	Mandrel Asm. (Includes Key No.'s 22-23, 26, 29 and 45-48)
23	532850857	Bolt 3/8-24 x 1-1/4 Gr. 8			Deck, Mower Complete
24	532128961	Stripper			
25	532078158	Bolt 5/16-18 x 1-1/4			

HARDWARE SHOWN LARGER FOR EASIER IDENTIFICATION

REPAIR PARTS

12 HP 36" LAWN TRACTOR - MODEL NO. H1236D, PRODUCT NO. 954 00 03-92
ELECTRICAL



REPAIR PARTS

12 HP 36" LAWN TRACTOR - MODEL NO. H1236D, PRODUCT NO. 954 00 03-92

ELECTRICAL

KEY NO.	PART NO.	DESCRIPTION	KEY NO.	PART NO.	DESCRIPTION
1	873510400	Nut, Hex Keps 1/4-20	20	873350400	Nut, Hex Jam 1/4-20
2	532108423	Assembly, Cable	21	810090400	Washer, Lock 1/4
3	532133909	Battery	22	874780408	Bolt, Fin. Hex 1/4-20 UNC x 1/2 Gr. 5
5	532108236	Bracket, Switch	23	811050400	Washer, Lock Ext. Tooth 1/4
6	532104445	Switch, Interlock (2-terminal)	24	532131563	Cover, Terminal
7	532109553	Switch, Interlock (4-terminal)	25	532109081	Solenoid
8	817021008	Screw, Hex Hd. Tap #10-24 x 1/2	26	874760412	Bolt, Hex Hd. 1/4-20 UNC x 3/4
9	532122147	Key, Molded	27	819091016	Washer 9/32 x 5/8 x 16
10	532123620	Cover, Key Ignition	28	810040400	Washer, Lock 1/4
11	532124211	Nut, Ignition	29	532121264	Cap, Battery
12	532125104	Switch, Ignition	30	873220400	Nut, Fin. Hex 1/4-20 UNC
14	532124756	Tie, Cable	35	811050600	Washer Lock Ext. Tooth 3/8
15	532121305	Switch, Plunger	36	811150400	Washer Lock Inter. Tooth 1/4
16	873510500	Nut, Hex, Keps 5/16-18			
17	532108824	Fuse			
18	532128353	Assembly, Cable			
19	532132223	Harness, Ignition			

NOTE: All component dimensions given in U.S. inches
1 inch = 25.4 mm

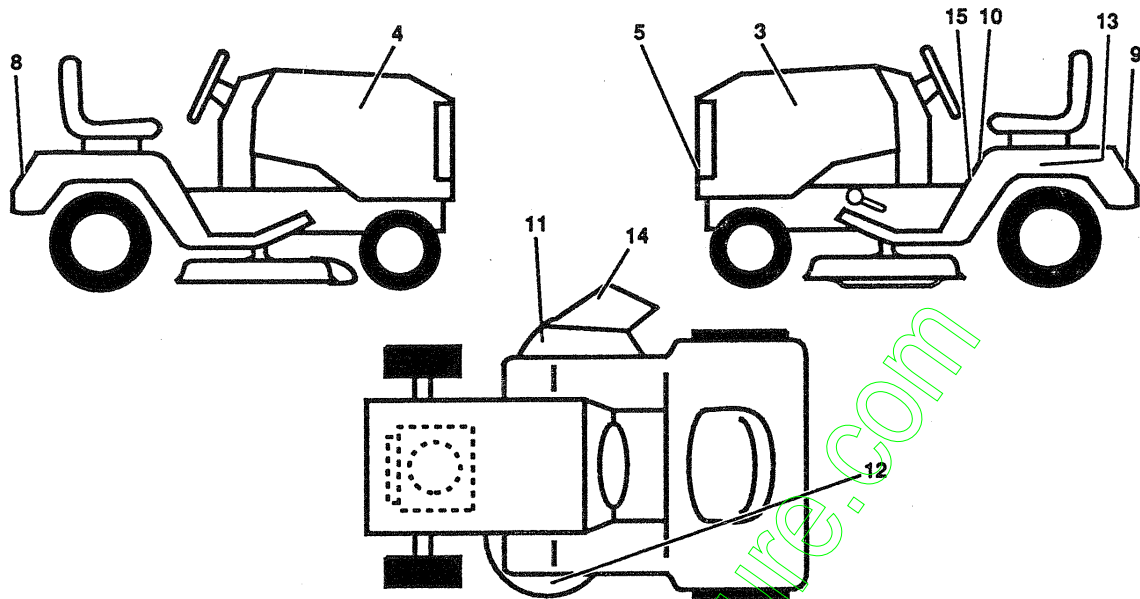
HARDWARE SHOWN LARGER FOR EASIER IDENTIFICATION

www.emc-motocult.com

REPAIR PARTS

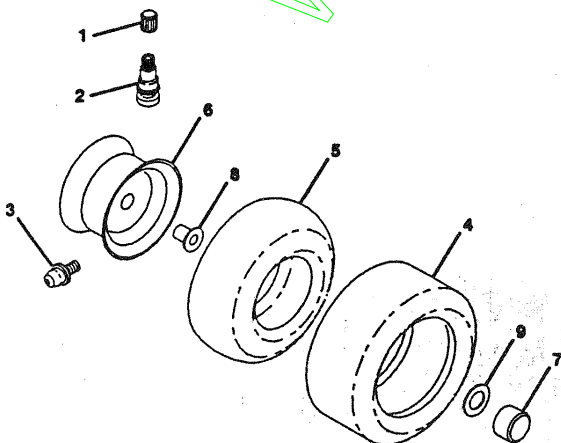
12 HP 36" LAWN TRACTOR - MODEL NO. H1236D, PRODUCT NO. 954 00 03-92

DECALS



KEY PART NO.	PART NO.	DESCRIPTION	KEY PART NO.	PART NO.	DESCRIPTION
3	532137228	Decal, Hood, L. H.	--	532126196	Decal, Rotating Blades, (English/French/German/Dutch)
4	532137227	Decal, Hood, R. H.	--	532126346	Decal, Rotating Blades, (Spanish/Italian)
5	532125989	Decal, Logo, Grill	13	532121549	Decal, Caution, Battery
8	532131582	Decal, Logo, Fender	14	532126193	Decal, Caution, Deflector, (Swedish/Danish/Finnish/Norwegian)
--	532126187	Decal, Certification, (French/Dutch)	--	532126194	Decal, Caution, Deflector, (English/French/German/Dutch)
--	532126156	Decal, Instruction, Warning, (Swedish/Danish/Finnish/Norwegian)	--	532126347	Decal, Caution, Deflector, (Spanish/Italian)
--	532126348	Decal, Instruction, Warning, (Spanish/Italian)	15	532126155	Decal, Instruction, Warning, (Swedish/Danish/Finnish/Norwegian)
10	532133795	Decal Caution Fender	--	532131074	Manual, Operator's (Swedish/Danish/Finnish/Norwegian)
11	532126191	Decal, Warning, Cut Finger, (Swedish/Danish/Finnish/Norwegian)	--	532131075	Manual, Operator's (French/German/English/Dutch/Spanish/Italian)
--	532126192	Decal, Warning, Cut Finger, (English/French/German/Dutch)			
--	532126345	Decal, Warning, Cut Finger, (Spanish/Italian)			
12	532126195	Decal, Rotating Blades, (Swedish/Danish/Finnish/Norwegian)			

WHEELS & TIRES



KEY PART NO.	PART NO.	DESCRIPTION
1	532059192	Cap, Valve
2	532065139	Stem, Valve
3	532124957	Fitting, Grease\ (Front Wheels Only)
4	532124142	Tire, Front
4	532124143	Tire, Rear
5	532059904	Tube, Front (Optional Service Items Only)
5	532008134	Tube, Rear (Optional Service Items Only)
6	532124972	Rim, Front
6	532124973	Rim, Rear
7	532104757	Cap Axle
8	532124959	Bearing Flange
9	532121748	Washer 25/32 x 1-5/8 x 16 Ga.