

ILLUSTRATED PARTS BREAKDOWN

HUSQVARNA

13 HP LAWN RIDER

MODEL NO. LT130 (HE1336B)

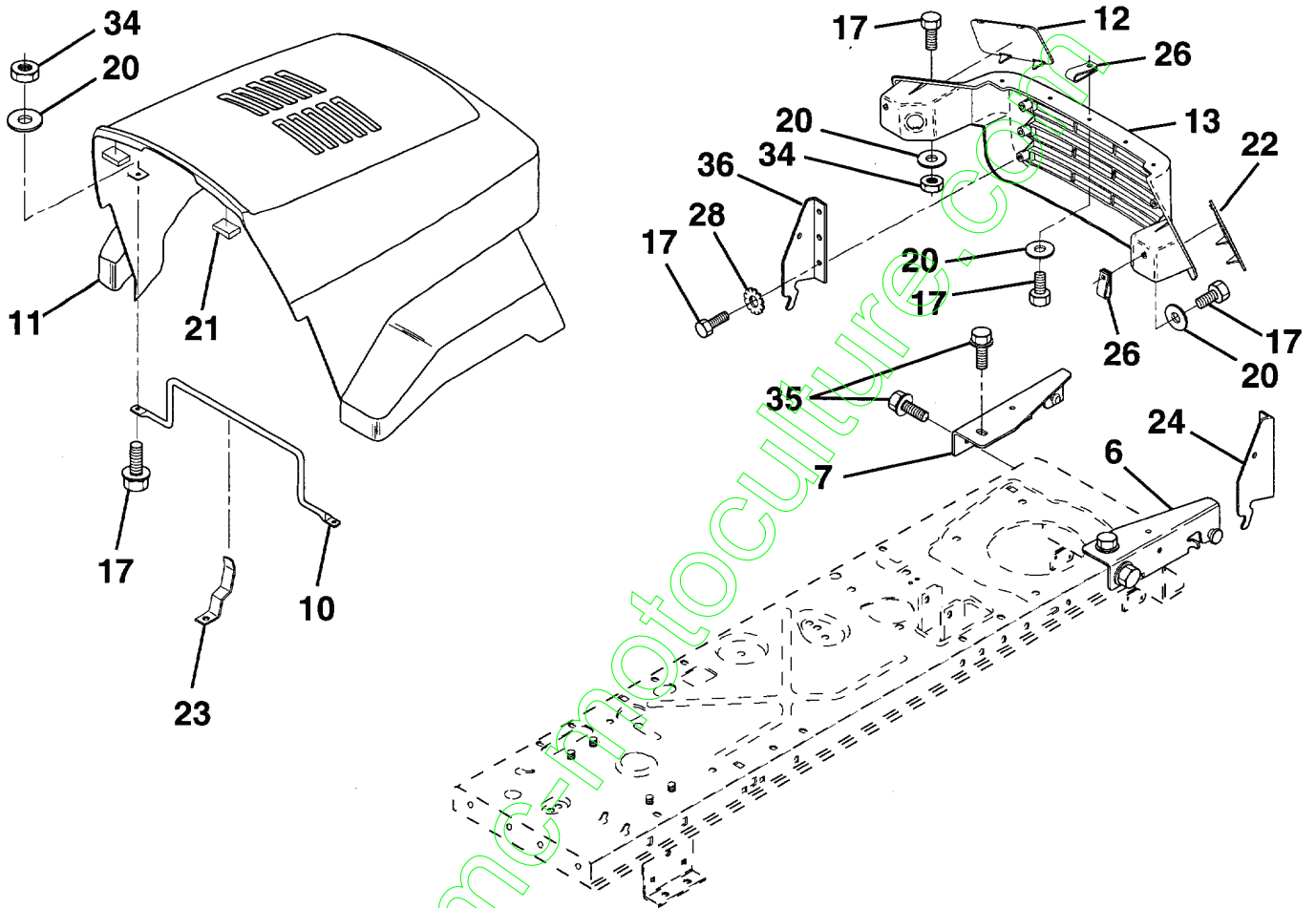
954 82 00-81

www.emc-motoculture.com

REPAIR PARTS

TRACTOR - MODEL NO. LT130 (HE1336B), PRODUCT NO. 954 82 00-81

HOOD



KEY NO.	PART NO.	DESCRIPTION	KEY NO.	PART NO.	DESCRIPTION
6	532 14 00-51	Bracket, Asm. Pivot Frame RH	23	532 13 99-69	Latch, Hood
7	532 14 00-50	Bracket, Asm. Pivot Frame LH	24	532 14 28-73	Bracket, Pivot Hood RH
10	532 13 08-50	Brace, Hood	26	532 05 29-21	Clip, Tinnerman
11	532 14 01-42	Hood	28	811 05 04-00	Washer, Lock Ext. Tooth 1/4
12	532 13 09-86	Lens, LH	34	873 68 04-00	Nut, Fin Hex 1/4-20
13	532 13 09-84	Grille	35	817 49 05-12	Screw, Thdrol 5/16-18 x 3/4
17	874 78 04-10	Bolt, Fin Hex 1/4-20 x 5/8	36	532 12 84-45	Bracket, Pivot Hood LH
20	819 09 10-16	Washer, Flat 1/4			
21	532 12 69-38	Bumper, Hood			
22	532 13 09-85	Lens RH			

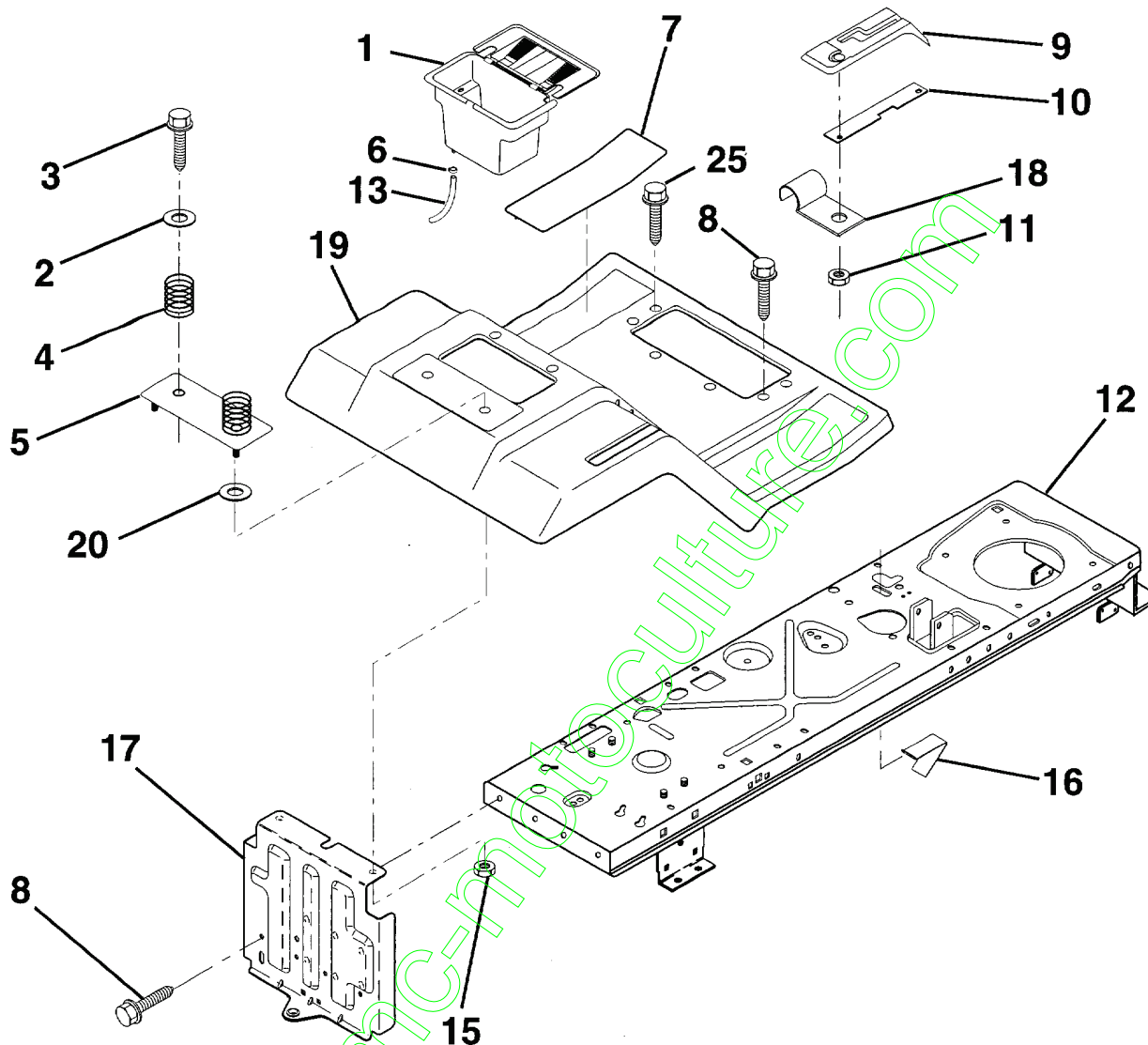
NOTE: All component dimensions given in U.S. inches
1 inch = 25.4 mm

HARDWARE SHOWN LARGER FOR EASIER IDENTIFICATION

REPAIR PARTS

TRACTOR - MODEL NO. LT130 (HE1336B), PRODUCT NO. 954 82 00-81

FENDER/CHASSIS



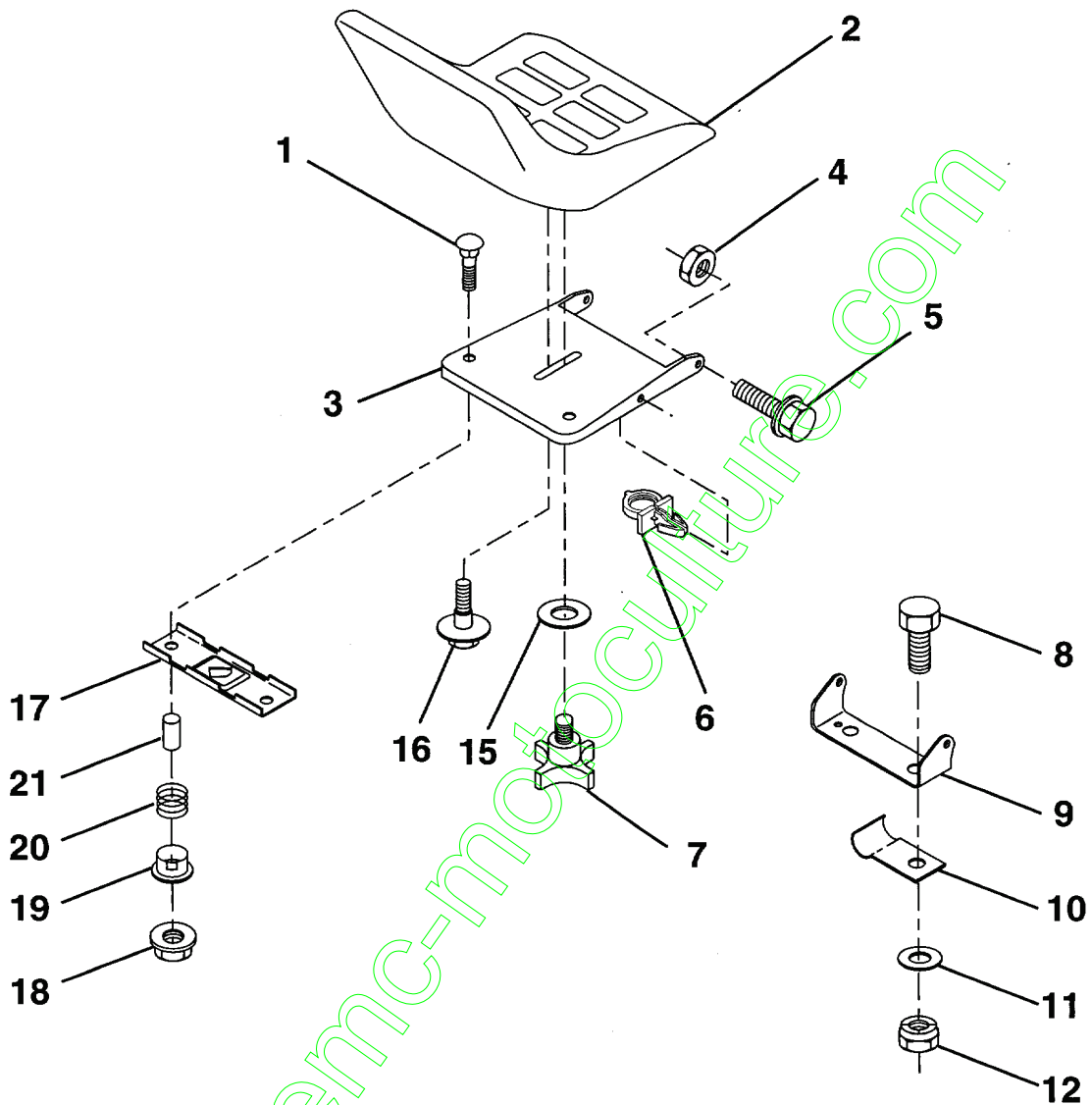
KEY NO.	PART NO.	DESCRIPTION	KEY NO.	PART NO.	DESCRIPTION
1	532 14 49-40	Case, Battery	12	532 14 51-90	Assembly, Frame
2	819 13 20-12	Washer 13/32 x 1-1/4 x 12 Ga.	13	532 10 92-38	Tube, Battery Drain
3	817 49 06-12	Screw, Hex Wsh. Thrdrol. 3/8-16 x 3/4	15	873 64 04-00	Nut, Keps 1/4-20 UNC
4	532 12 41-81	Spring, Compression, Seat	16	532 14 17-36	Switch Actuator
5	532 12 51-42	Plate, Asm. Battery	17	532 14 07-82	Drawbar
6	532 10 95-96	Clamp, Hose	18	532 12 64-70	Clip, Insulated
7	532 12 67-00	Pad, Footrest	19	532 14 13-93	Fender/Footrest
8	817 49 05-12	Screw, Hex Wsh. Thrdrol. 5/16-18 x 3/4	20	819 09 14-13	Washer 9/32 x 7/8 x 13 Ga.
9	532 12 69-95	Console, Shift Control	25	817 19 05-16	Screw Hex 5/16-18 x 1
10	532 13 97-83	Plate, Shift Lock	NOTE: All component dimensions given in U.S. inches 1 inch =25.4 mm		
11	532 12 43-46	Nut, Self-Threading, Wsh Hd 3/16			

HARDWARE SHOWN LARGER FOR EASIER IDENTIFICATION

REPAIR PARTS

TRACTOR - MODEL NO. LT130 (HE1336B), PRODUCT NO. 954 82 00-81

SEAT



KEY NO.	PART NO.	DESCRIPTION
1	872 05 04-11	Bolt, Carriage 1/4-20 x 1-3/8
2	532 14 08-38	Seat
3	532 14 05-52	Pan, Seat
4	873 80 05-00	Nut, Lock Hex w/Ins. 5/16-18
5	532 13 98-88	Bolt, Shoulder 5/16-18
6	532 14 50-06	Clip, Push-In
7	532 12 00-68	Knob, Seat
8	874 76 06-16	Bolt, Fin Hex 3/8-16 UNC x 1
9	532 14 05-51	Bracket, Pivot Seat
10	532 12 64-71	Clip, Insulator
11	819 13 32-10	Washer 12/32 x 2 x 10 Ga.

KEY NO.	PART NO.	DESCRIPTION
12	873 80 06-00	Nut, Lock Hex w/Wsh 3/8-16
15	819 17 19-12	Washer, 17/32 x 1-3/16 x 12 Ga.
16	532 12 70-18	Bolt, Shoulder
17	532 12 12-46	Bracket, Switch, Mounting
18	532 12 39-76	Nut, Hex Large Flange Lock
19	532 12 12-48	Bushing, Snap
20	532 12 12-50	Spring, Compression
21	532 13 43-00	Spacer, Split 28 Id. x .96 Lg.

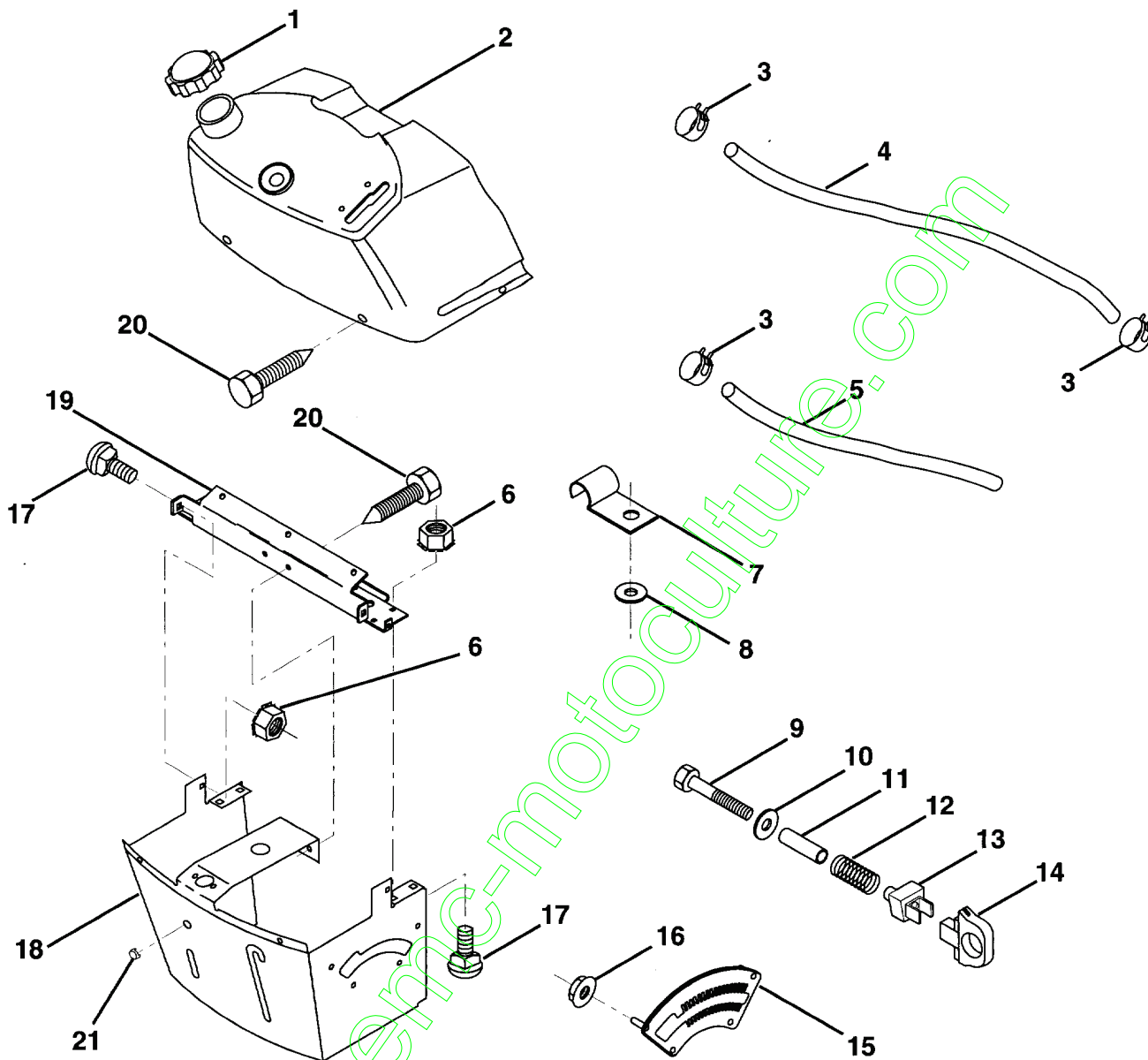
NOTE: All component dimensions given in U.S. inches
1 inch = 25.4 mm

HARDWARE SHOWN LARGER FOR EASIER IDENTIFICATION

REPAIR PARTS

TRACTOR - MODEL NO. LT130 (HE1336B), PRODUCT NO. 954 82 00-81

DASH



KEY NO.	PART NO.	DESCRIPTION
1	532 14 21-87	Cap, Fuel
2	532 13 83-95	Assembly, Dash & Fuel Tank
3	532 12 34-87	Clamp, Hose
4	532 00 85-44	Line, Fuel
5	532 00 85-48	Line, Fuel
6	873 64 04-00	Nut, Hex, Keps 1/4-20
7	532 12 49-96	Clip, Fuel Line
8	819 09 12-16	Washer 9/32 x 3/4 x 16 Ga.
9	874 76 04-28	Bolt, Hex, Fin 1/4-20 x 1-3/4
10	819 09 14-13	Washer 11/32 x 11/16 x 16 Ga.
11	532 12 12-49	Spacer, Split
12	532 00 37-20	Spring

KEY NO.	PART NO.	DESCRIPTION
13	532 12 64-50	Clip, Height Adjustment
14	532 12 61-15	Knob, Height Stop
15	532 12 20-23	Adjustment, Quadrant Height
16	532 12 43-46	Nut, Self-Threading 3/16-18
17	872 11 04-04	Bolt, Carriage 1/4-20 x 1/2 Gr. 5
18	532 13 07-45	Support Assembly, Dash
19	532 13 47-44	Brace, Cross
20	817 06 04-08	Screw, Self-Tapping 1/4-20 x 1/2
21	532 13 40-14	Plug Dome Black

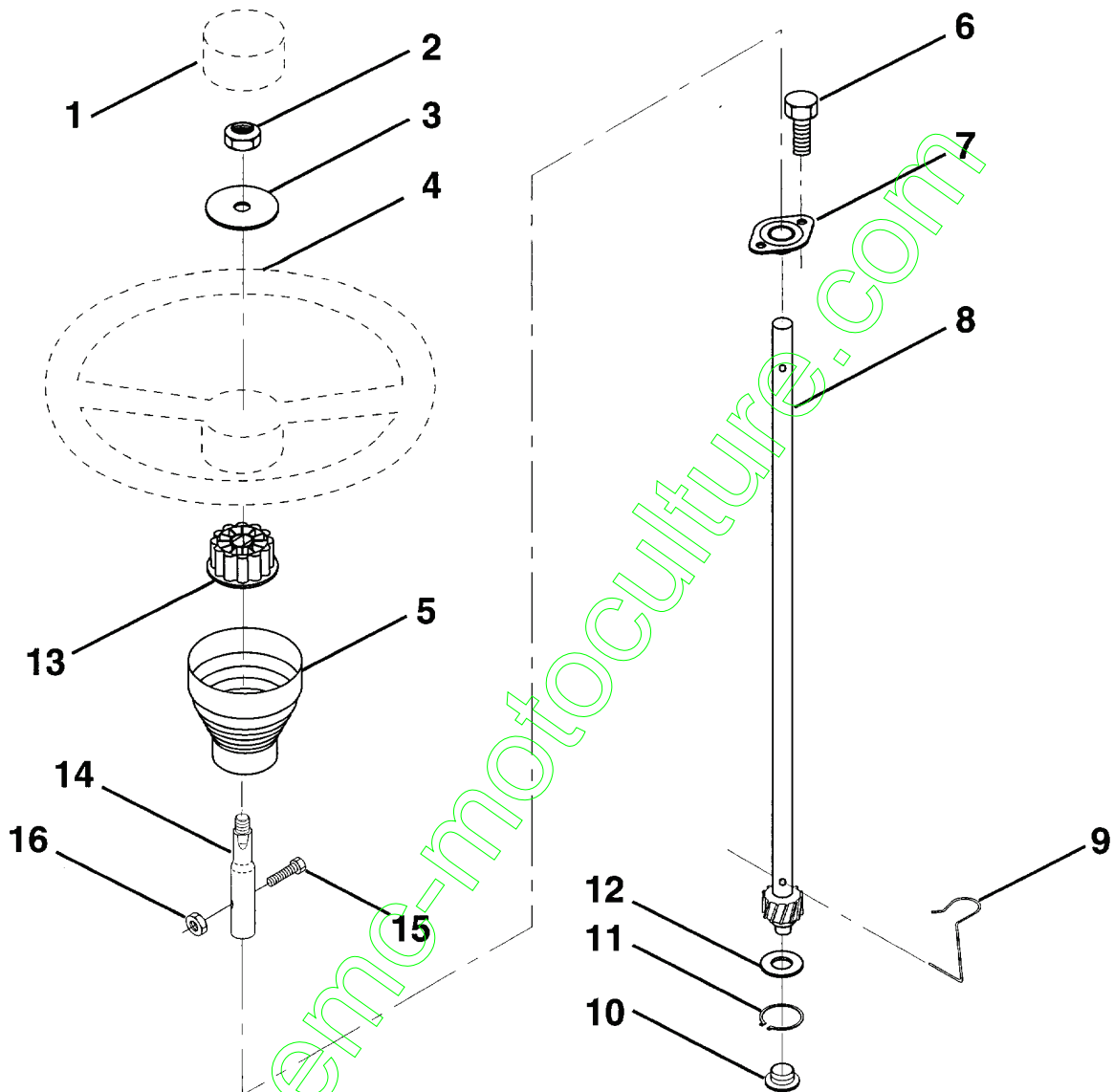
NOTE: All component dimensions given in U.S. inches
1 inch=25.4mm

HARDWARE SHOWN LARGER FOR EASIER IDENTIFICATION

REPAIR PARTS

TRACTOR - MODEL NO. LT130 (HE1336B), PRODUCT NO. 954 82 00-81

STEERING WHEEL



KEY NO.	PART NO.	DESCRIPTION
1	532 12 44-16	Insert, Wheel, Steering
2	532 12 47-01	Nut, Lock 3/8-24 UNF
3	819 13 38-08	Washer 12/32 x 2-3/8 x 8 Ga.
4	532 12 44-15	Wheel, Steering
5	532 12 73-96	Sleeve, Steering
6	817 43 10-08	Screw, Hex #10-16 x 1/2 TY-B
7	532 10 28-03	Bushing, Steering
8	532 14 73-91	Shaft, Steering
9	532 12 42-10	Clip, Steering

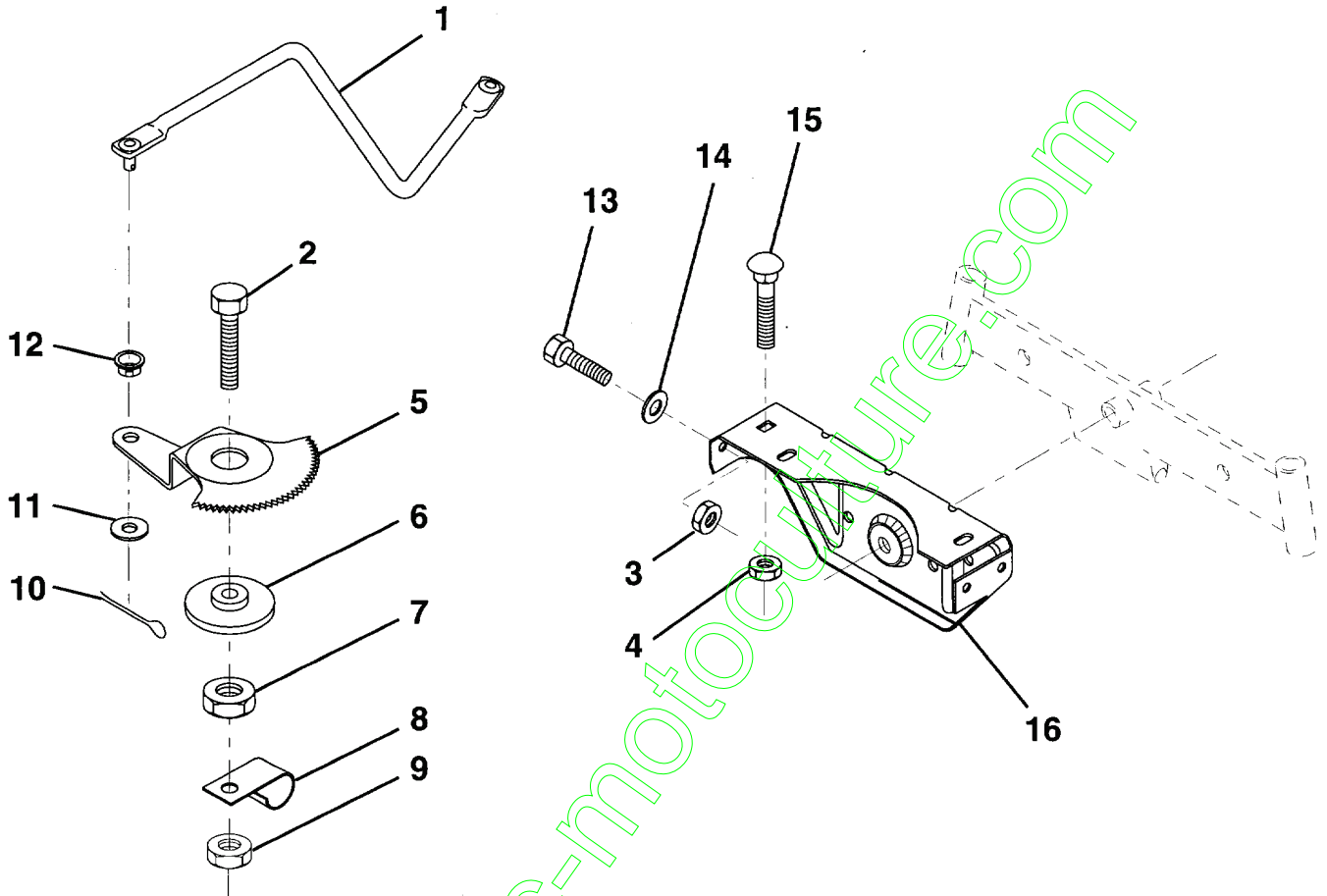
KEY NO.	PART NO.	DESCRIPTION
10	532 12 34-38	Bushing, Lower, Steering
11	812 00 00-45	Ring, Retaining
12	819 21 16-16	Washer 21/32 x 1 x 16 Ga.
13	532 10 48-20	Adaptor, Wheel, Steering
14	532 14 73-92	Extension Shaft Steering
15	874 78 05-20	Bolt Fin Hex 5/16-18 Unc x 1-1/4
16	873 80 05-00	Nut, Lock Hex w/Ins. 5/16-18

NOTE: All component dimensions given in U.S. inches
1 inch = 25.4 mm

HARDWARE SHOWN LARGER FOR EASIER IDENTIFICATION

REPAIR PARTS

TRACTOR - MODEL NO. LT130 (HE1336B), PRODUCT NO. 954 82 00-81
SECTOR GEAR / AXLE SUPPORT



KEY NO.	PART NO.	DESCRIPTION	KEY NO.	PART NO.	DESCRIPTION
1	532 13 25-66	Link, Drag	10	876 02 04-12	Pin, Cotter 1/8 x 3/4
2	874 78 08-28	Bolt, Fin Hex 1/2-13 x 1-3/4	11	819 13 13-16	Washer, 13/32 x 13/16 x 16 Ga.
3	873 68 05-00	Nut, Crownlock 5/16-18	12	532 12 68-47	Bushing
4	873 68 06-00	Nut, Crownlock 3/8-16	13	874 76 05-12	Bolt, Hex Hd. 5/16-18 UNC x 3/4
5	532 12 19-26	Gear Sector	14	819 11 14-16	Washer 11/32 x 7/8x 16 Ga.
6	532 12 19-27	Bushing	15	872 11 06-06	Bolt, Carriage 3/8-16 UNC x 3/4
7	873 03 08-00	Nut, Heavy Hex Top Lock 1/2-13UNC	16	532 13 70-96	Support, Front Axle
8	532 12 64-72	Clip, Insulated			
9	873 68 08-00	Nut, Crownlock 3/8-16			

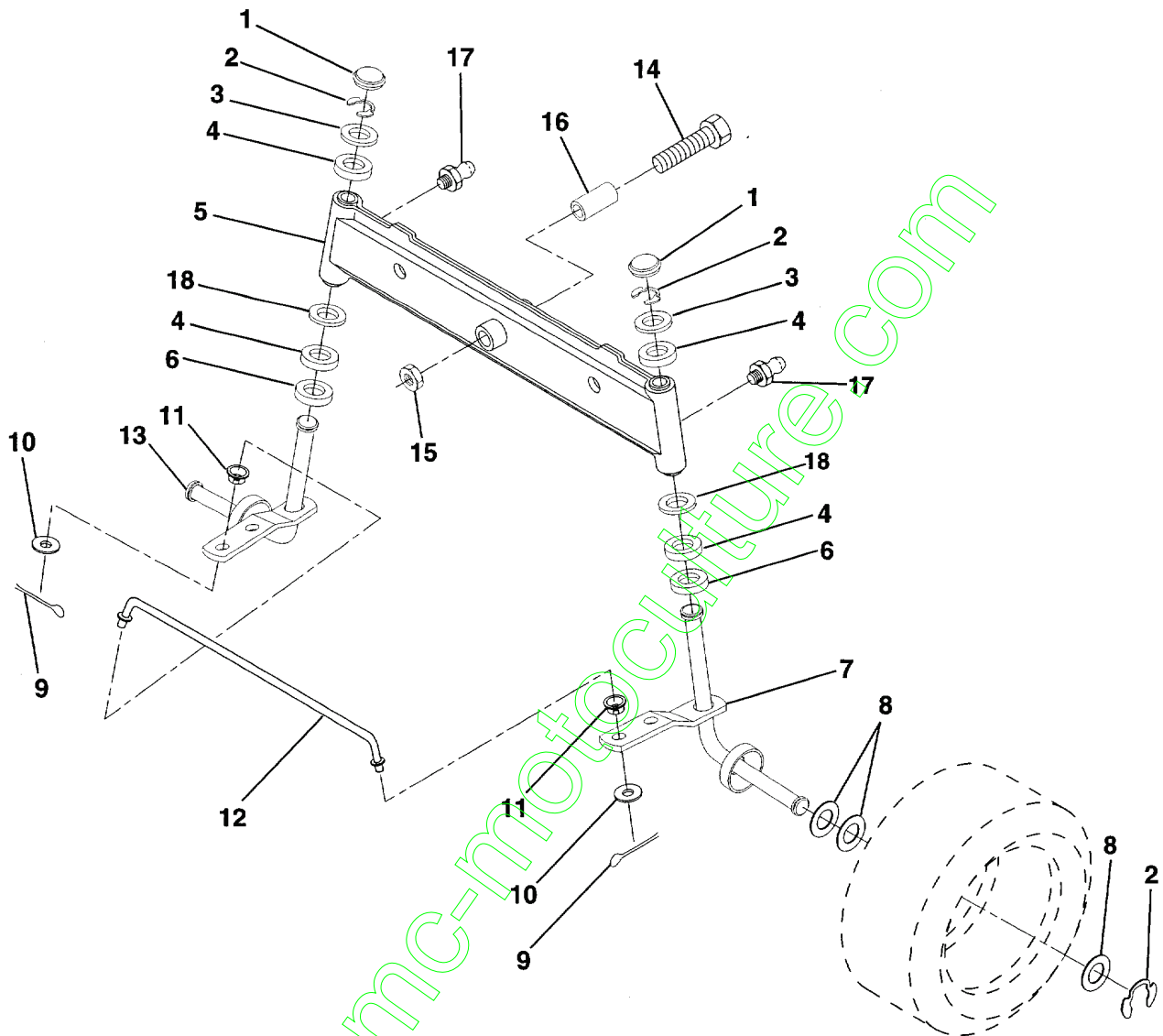
NOTE: All component dimensions given in U.S. inches
1 inch = 25.4 mm

HARDWARE SHOWN LARGER FOR EASIER IDENTIFICATION

REPAIR PARTS

TRACTOR - MODEL NO. LT130 (HE1336B), PRODUCT NO. 954 82 00-81

FRONT AXLE



KEY PART NO.	NO.	DESCRIPTION
1	532 12 12-32	Cap, Spindle
2	812 00 00-29	Ring, Clip
3	532 12 17-48	Washer 25/32 x1-5/8 x 16 Ga.
4	532 12 49-37	Bearing, Col Strg.
5	532 14 20-33	Axle, Front
6	532 12 49-31	Bearing, Thrust
7	532 13 70-62	Spindle, R.H. Asm.
8	532 12 17-49	Washer 25/32 x 1-1/4 x 16 Ga.
9	876 02 04-12	Pin, Cotter 1/8 x 3/4
10	819 13 13-16	Washer 13/32 x 13/16 x 16 Ga.

KEY NO.	PART NO.	DESCRIPTION
11	532 12 68-47	Bushing
12	532 13 04-65	Rod, Tie
13	532 13 70-61	Spindle, L.H. Asm.
14	874 01 10-56	Bolt, Hex 5/8-11 x 3-1/2
15	873 90 10-00	Locknut, Flange 5/8-11
16	532 11 04-38	Spacer, Bearing
17	532 12 48-36	Fitting, Grease
18	819 27 20-16	Washer 27/32 x 1-1/4 x 16 Ga.

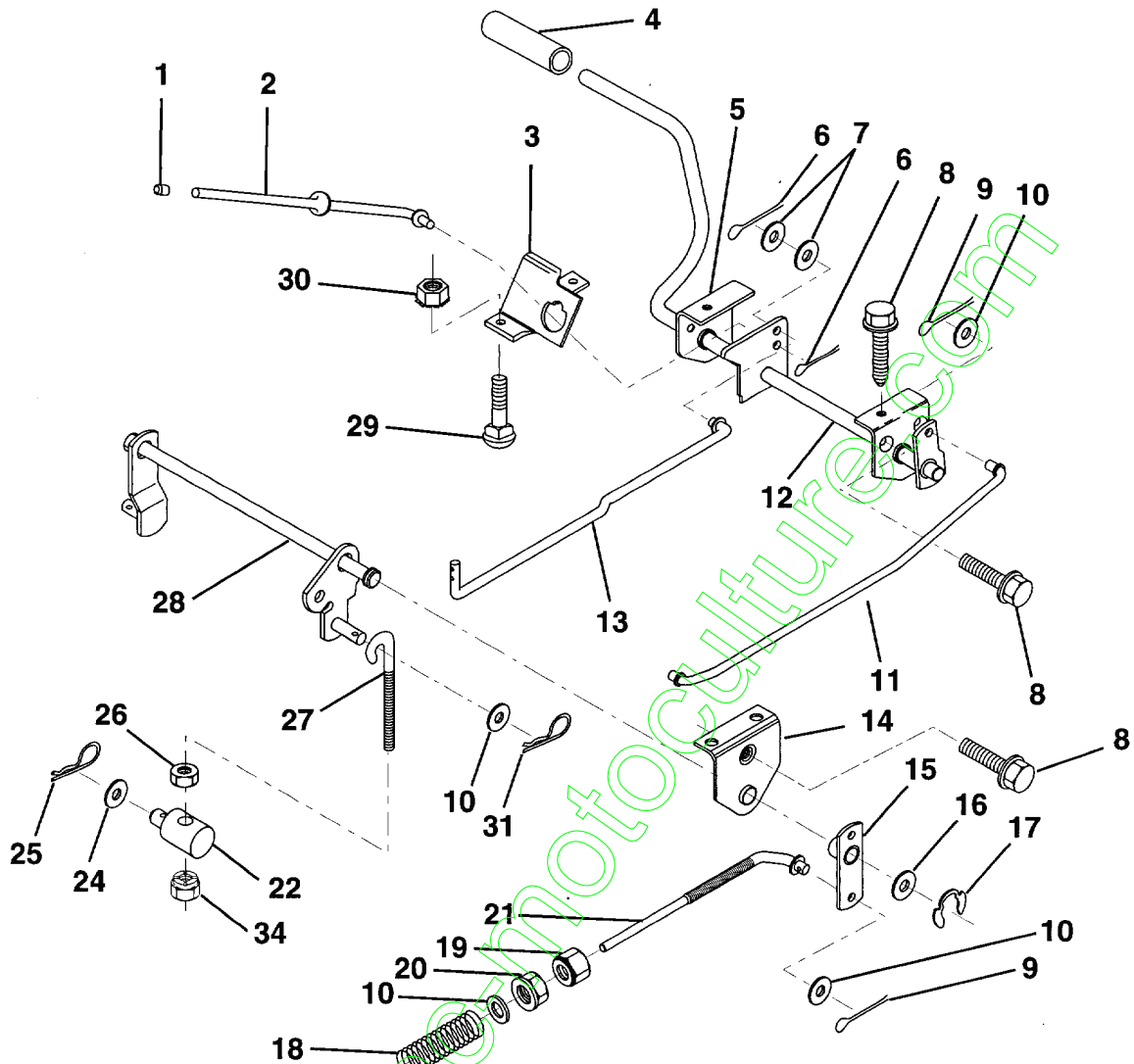
NOTE: All component dimensions given in U.S. inches
1 inch = 25.4 mm

HARDWARE SHOWN LARGER FOR EASIER IDENTIFICATION

REPAIR PARTS

TRACTOR - MODEL NO. LT130 (HE1336B), PRODUCT NO. 954 82 00-81

BRAKE / REAR MOWER LIFT ASSEMBLY



KEY NO.	PART NO.	DESCRIPTION	KEY NO.	PART NO.	DESCRIPTION
1	532 07 16-73	Cap, Plunger	17	812 00 00-34	Ring, Klip
2	532 12 34-36	Rod, Parking Brake	18	532 15 13-32	Spring, Brake Rod
3	532 12 34-37	Bracket, Parking Brake	19	873 35 06-00	Nut, Hex, Jam 3/8-16 UNC
4	532 00 81-56	Cover, Pedal	20	873 80 06-00	Nut, Lock Hex W/ns. 3/8-16
5	532 12 25-04	Bracket, Clutch/Brake Pedal, L.H.	21	532 13 14-60	Rod, Rear Brake
6	876 02 03-12	Pin, Cotter 3/32 x 3/4	22	532 14 45-85	Trunnion, Lift
7	819 13 10-16	Washer 13/32 x 5/8 x 16 Ga.	24	819 13 20-12	Washer 13/32 x 1-1/4 x 12 Ga.
8	817 49 05-08	Screw, Hex, Thd. Roll. 5/16-18 x 1/2	25	532 12 49-61	Spring, Retainer
9	876 02 04-12	Pin, Cotter 1/8 x 3/4	26	873 93 06-00	Nut, Centerlock 3/8-16 UNC
10	819 13 13-16	Washer 13/32 x 13/16 x 16 Ga.	27	532 12 73-69	Link, Threaded
11	532 12 35-43	Rod, Brake Front	28	532 14 07-76	Assembly, Rear Mower Lift
12	532 13 99-33	Assembly, Clutch/Brake Pedal	29	872 11 05-06	Bolt, Carriage 5/16-18 UNC x 3/4
13	532 12 33-94	Rod, Clutch	30	873 51 05-00	Nut, Keps 5/16-16 UNC
14	532 12 19-78	Bracket, Lift, Shaft	31	532 12 46-60	Retainer, Spring
15	532 13 33-32	Assembly, Brake, Pivot, Arm	34	873 68 06-00	Nut, Crownlock
16	819 25 18-16	Washer 25/32 x 1-1/8 x 16 Ga.			

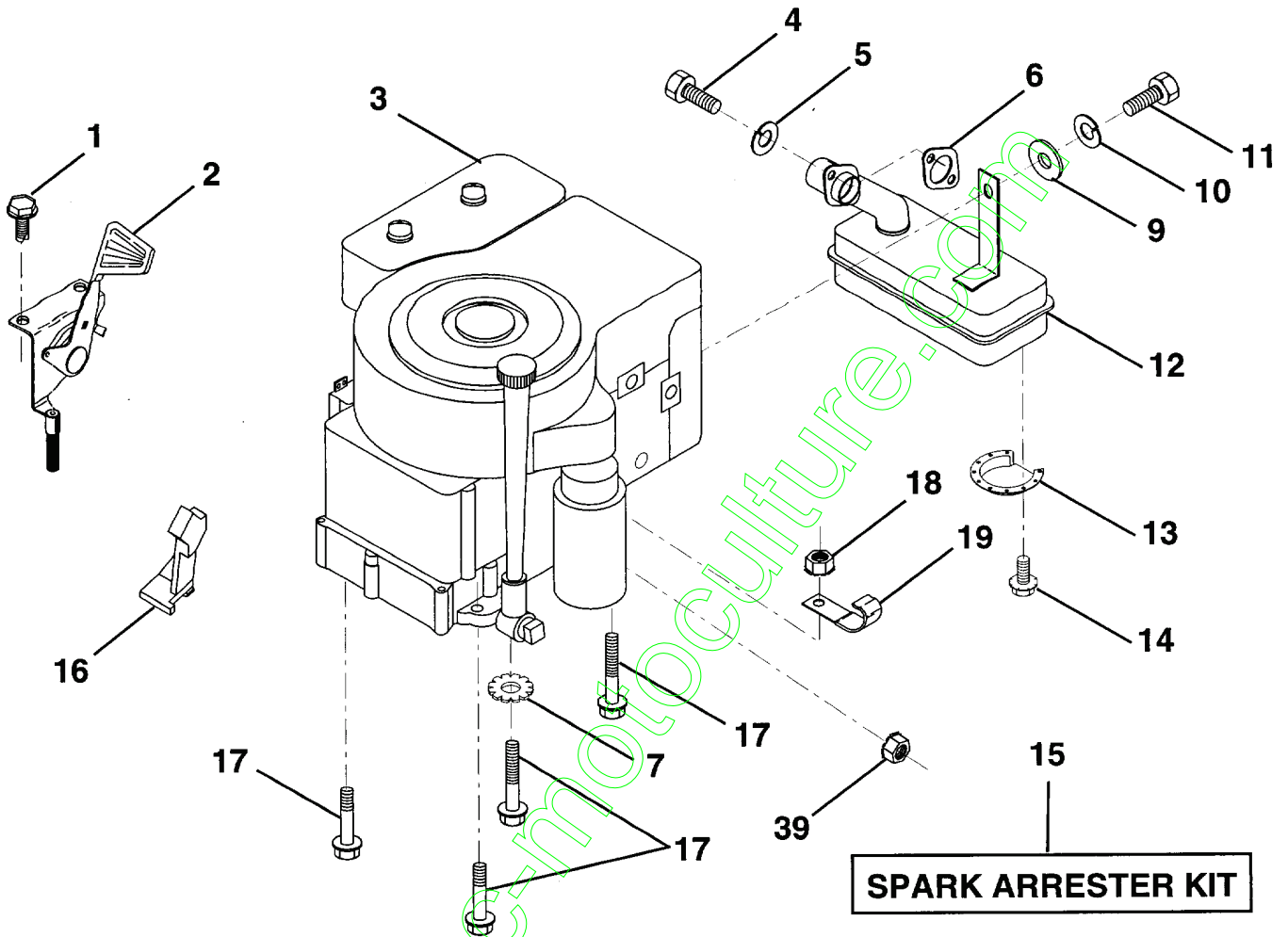
NOTE: All component dimensions given in U.S. inches
1 inch = 25.4 mm

HARDWARE SHOWN LARGER FOR EASIER IDENTIFICATION

REPAIR PARTS

TRACTOR - MODEL NO. LT130 (HE1336B), PRODUCT NO. 954 82 00-81

ENGINE



KEY NO.	PART NO.	DESCRIPTION
1	817 06 04-08	Screw, Hex Thd. Cut 1/4-20 x 1/2
2	532 13 30-25	Control, Throttle
3	-----	Engine, Briggs & Stratton Model No. 28M707-0142-01
4	871 07 05-12	Screw, Hex, Cap 5/16-18 x 3/4
5	810 04 05-00	Washer, Lock Heavy Helical Spring 5/16
6	532 27 22-93	Gasket, Exhaust
7	811 05 06-00	Washer Lock Ext. Tooth 3/8
9	819 10 12-16	Washer 5/16 x 3/4 x 16
10	810 04 04-00	Washer Lock Heavy Helical Spring 1/4
11	-----	Bolt, Hex Fin. (Order from Eng. Mfg.)

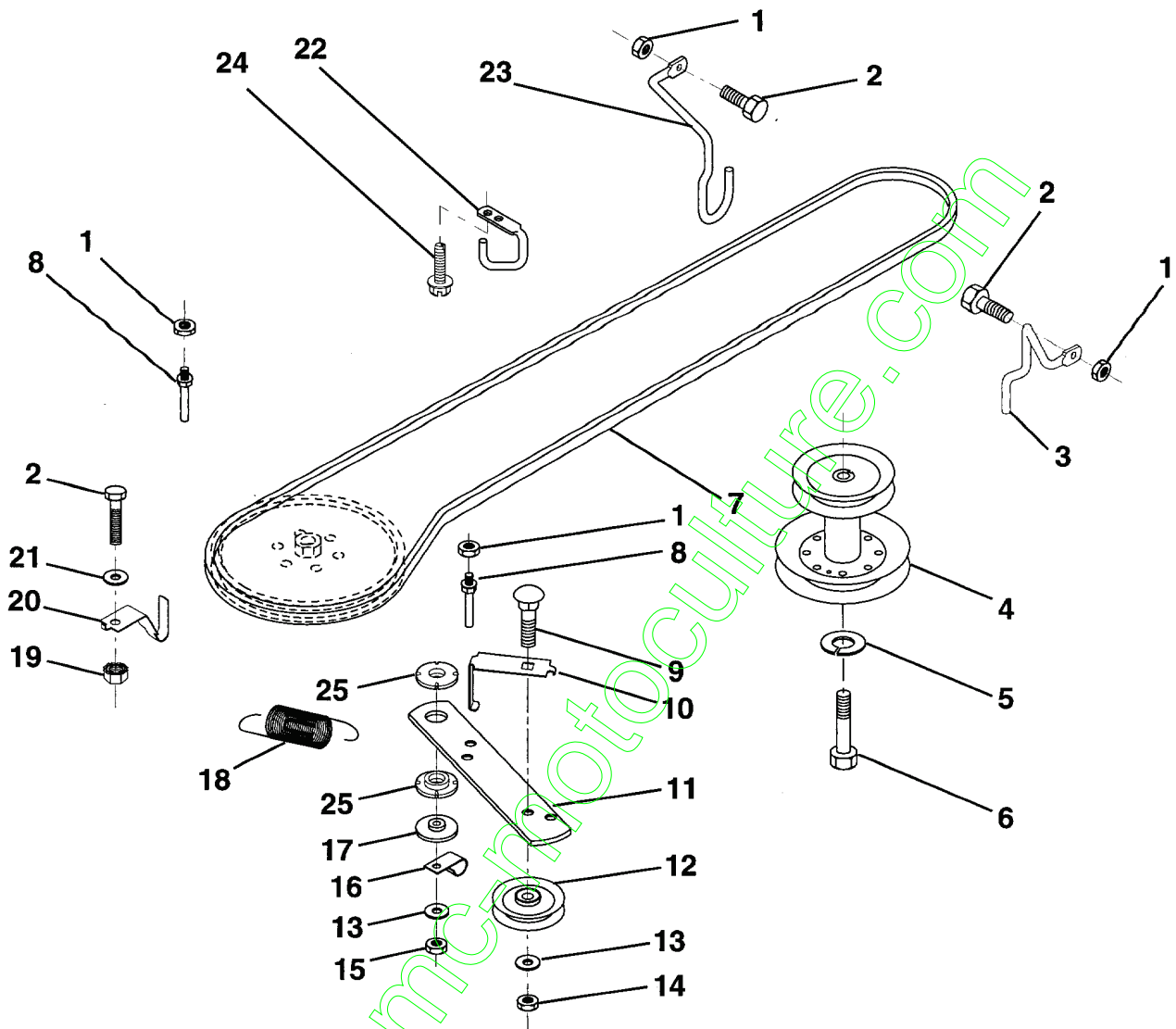
KEY NO.	PART NO.	DESCRIPTION
12	532 13 74-37	Muffler
13	532 10 13-26	Deflector, Muffler
14	817 03 08-08	Screw, Spiderloc
15	532 13 71-80	Arrester, Spark (Optional equipment)
16	532 12 79-51	Stop, Throttle
17	817 49 06-24	Screw, Hex Washer Head, Thdrol. 3/8-16 x 1 -1/2
18	873 51 06-00	Nut, Keps Hex 3/8-16
19	532 12 49-96	Clip, Line Fuel
39	532 12 88-61	Nut, Flange 1/4-20

NOTE: All component dimensions given in U.S. inches
1 inch = 25.4 mm

HARDWARE SHOWN LARGER FOR EASIER IDENTIFICATION

REPAIR PARTS

TRACTOR - MODEL NO. LT130 (HE1336B), PRODUCT NO. 954 82 00-81
GROUND DRIVE



KEY PART NO. NO.	DESCRIPTION
1	873 68 05-00 Nut Crownlock 5/16-18
2	874 76 05-12 Bolt, Hex Hd 5/16-18 UNC x 3/4
3	532 14 13-42 Keeper, Mower Drive, R. H.
4	532 13 80-29 Pulley, Engine
5	810 04 07-00 Washer, Lock 7/16
6	871 17 07-44 Bolt Hex 7/16-20 Gr.5
7	532 12 65-20 Traction V-Belt, Drive
8	532 12 34-05 Keeper, T/A Ground Drive Belt
9	872 14 06-12 Bolt, Carr. 3/8-16 UNC x 1-1/2
10	532 12 33-96 Keeper, Belt Ground Drive Idler
11	532 15 09-26 Arm, Ground Drive Clutch
12	532 12 36-74 Idler, Flat
13	819 13 13-16 Washer 13/32 x 13/16 x 16 Ga.

KEY PART NO. NO.	DESCRIPTION
14	873 93 06-00 Nut, Centerlock 3/8-16 Unc
15	873 68 06-00 Nut, Crownlock 3/8-16
16	532 12 64-71 Clip, Insulated
17	532 15 09-32 Spacer, Retainer
18	532 13 14-59 Spring Extension
19	873 51 05-00 Nut, Keps 5/16-18 UNC
20	532 13 99-19 Keeper, T/A Ground Drive Belt
21	819 11 10-16 Washer 11/32 x 5/8 x 16 Ga.
22	532 12 34-04 Keeper, Frame Ground Drive Belt
23	532 14 09-16 Keeper, Mower Drive, L. H.
24	817 72 04-08 Screw, Thd Cut 1/4-20 x 1/2
25	532 15 09-35 Bushing Nylon

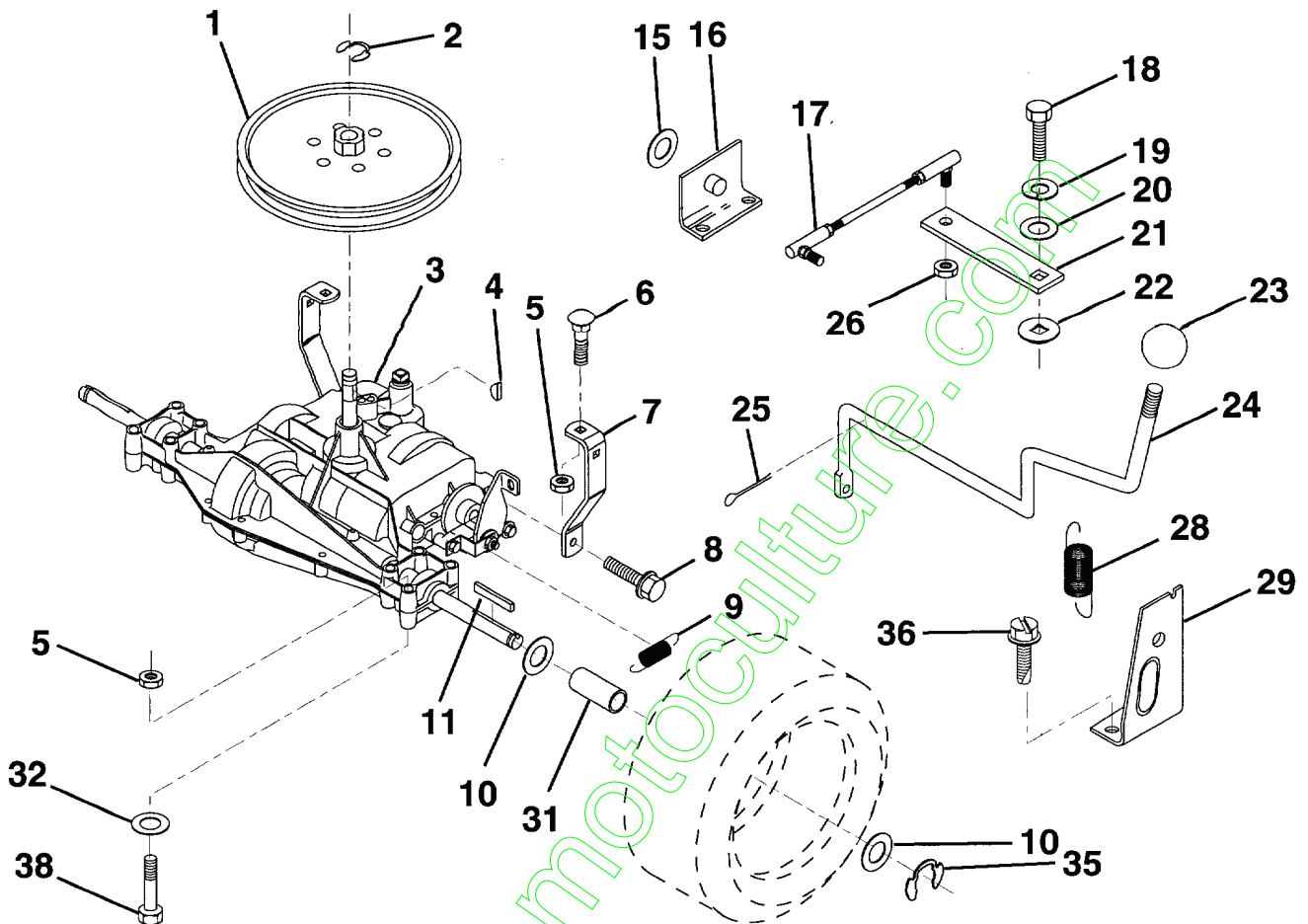
NOTE: All component dimensions given in U.S. inches
1 inch = 25.4 mm

HARDWARE SHOWN LARGER FOR EASIER IDENTIFICATION

REPAIR PARTS

TRACTOR - MODEL NO. LT130 (HE1336B), PRODUCT NO. 954 82 00-81

TRANSAXLE



KEY NO.	PART NO.	DESCRIPTION	KEY NO.	PART NO.	DESCRIPTION
1	532 12 33-85	Pulley	20	819 09 12-10	Washer 9/32 x 3/4 x 10 Ga.
2	812 00 00-28	Ring, Retainer	21	532 12 62-92	Arm, Shift
3	-----	Transaxle, Peerless 6 Spd. Model No. 930-010	22	532 10 57-01	Washer, Shift Plate
4	532 12 50-96	Key, Woodruff #9	23	532 12 12-74	Knob, Duckhead
5	873 68 05-00	Nut, Crownlock 5/16-18	24	532 12 82-15	Rod, Shift
6	872 14 05-06	Bolt, Carriage 5/16-18 UNC x 3/4	25	876 02 04-16	Pin, Cotter 1/8 x 1
7	532 12 33-78	Strap, Torque	26	873 81 05-00	Locknut 5/16-24 UNF
8	817 49 05-12	Screw 5/16-18 x 3/4	28	532 12 80-85	Spring, Extension
9	532 14 66-82	Spring, Brake	29	532 12 80-84	Support, Handle Shift RH
10	532 12 17-49	Washer 25/32 x 1 -1/4 x 16 Ga.	31	532 13 70-57	Spacer, Axle
11	532 12 35-83	Key, Square	32	819 11 11-16	Washer 11/32 x 11/16 x 16 Ga.
15	819 17 16-16	Washer 17/32 x 1 x 16 Ga.	35	812 00 00-01	E-Ring
16	532 12 46-00	Support, Handle Shift LH	36	817 72 04-08	Screw, Thdcut 1/4-20 x 1/2
17	532 12 62-93	Link, Shift	38	874 49 05-44	Bolt, Hex, Flgnd 5/16-18
18	874 55 04-12	Bolt, Fin Hex 1/4-28 UNF x 3/4 Gr. 8			
19	810 04 04-00	Washer, Lock 1/4			

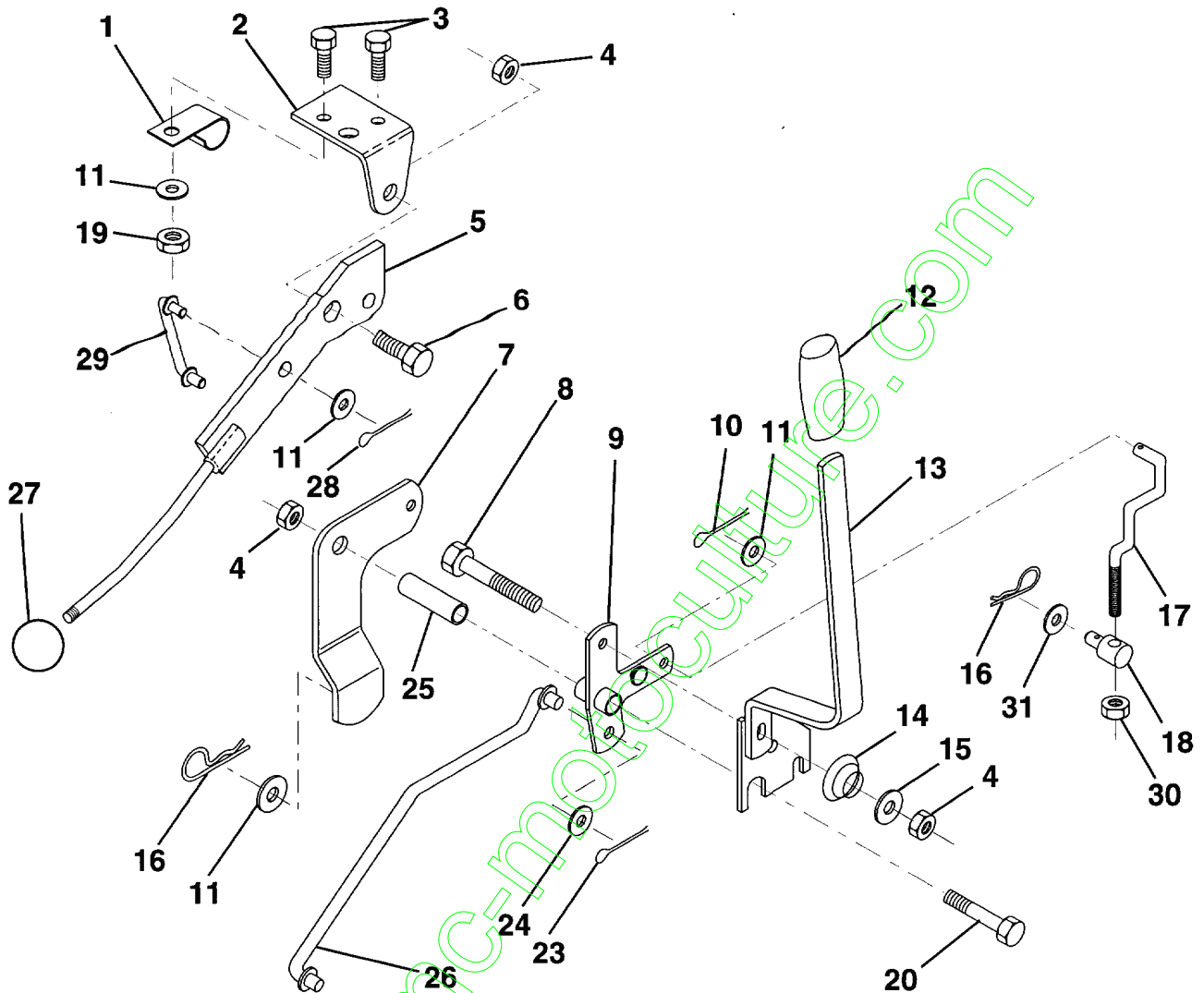
NOTE: All component dimensions given in U.S. inches
1 inch = 25.4 mm

HARDWARE SHOWN LARGER FOR EASIER IDENTIFICATION

REPAIR PARTS

TRACTOR - MODEL NO. LT130 (HE1336B), PRODUCT NO. 954 82 00-81

MOWER LIFT LEVER



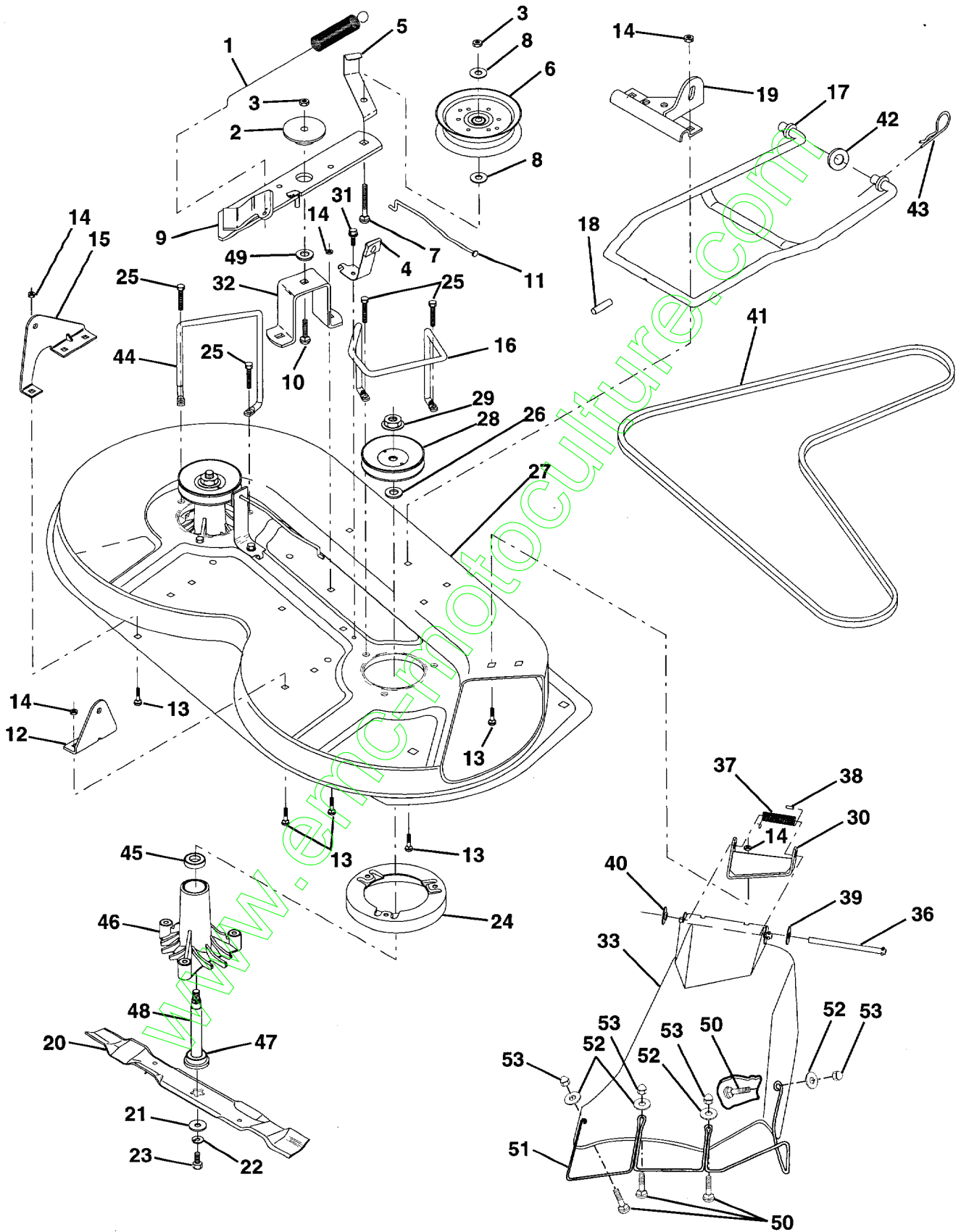
KEY PART NO.	NO.	DESCRIPTION	KEY PART NO.	NO.	DESCRIPTION
1	532 12 64-70	Clip, Insulated	17	532 12 73-59	Link, Front Lift
2	532 12 20-18	Bracket, Mower Clutch	18	532 14 20-28	Trunnion, Threaded 3/8-16
3	871 11 04-08	Bolt, Fin. Hex 1/4-20 UNC x 1/2	19	873 68 04-00	Nut, Crownlock 1/4-20
4	873 68 06-00	Nut, Crownlock 3/8-16 UNC	20	874 76 06-44	Bolt, Fin. Hex 3/8-16 UNC x 2-3/4
5	532 14 51-87	Assembly, Clutch Lever	23	876 02 04-16	Pin, Cotter 1/8 x 1
6	532 10 64-51	Bolt, Shoulder	24	819 17 16-12	Washer 17/32 x 1 x 12 Ga.
7	532 13 53-71	Assembly, Mower Clutch Arm	25	532 12 19-33	Tube, Spacer
8	874 76 06-36	Bolt, Hex 3/8-16 UNC x 2-1/4	26	532 14 14-70	Rod, Mower Lift
9	532 12 19-30	Assembly, Belicrank Lift	27	532 12 14-66	Knob
10	876 02 04-12	Pin, Cotter 118x314	28	876 02 03-12	Pin, Cotter 3/32 x 3/4
11	819 13 13-16	Washer 13/32 x 13/16 x 16 Ga.	29	532 13 16-55	Link, Mower Clutch
12	532 12 20-27	Grip, Handle	30	873 35 06-00	Nut, Hex Jam 3/8-16
13	532 13 93-52	Assembly, Lift Handle	31	819 13 20-12	Washer 13/32 x 1-1/4 x 12 Ga.
14	532 12 34-96	Spring, Compression			
15	819 13 12-12	Washer 13/32 x 3/4 x 12 Ga.			
16	532 12 49-61	Retainer, Spring			

NOTE: All component dimensions given in U.S. inches
1 inch = 25.4 mm

HARDWARE SHOWN LARGER FOR EASIER IDENTIFICATION

REPAIR PARTS

TRACTOR - MODEL NO. LT130 (HE1336B), PRODUCT NO. 954 82 00-81
MOWER DECK



REPAIR PARTS

TRACTOR - MODEL NO. LT130 (HE1336B), PRODUCT NO. 954 82 00-81

MOWER DECK

KEY NO.	PART NO.	DESCRIPTION	KEY NO.	PART NO.	DESCRIPTION
1	532 14 00-64	Spring, Mower Clutch	31	817 49 05-08	Screw, Hex Wsh. Thdrol. 5/16-18 x 1/2
2	532 12 20-52	Spacer, Retainer	32	532 12 20-51	Arm, Support Idler Mower
3	873 68 06-00	Nut, Crownlock 3/8 - 16	33	532 13 90-83	Deflector
4	532 13 08-40	Brake Asm.	36	532 12 19-80	Rod, Hinge
5	532 13 12-51	Guide, Belt Idler	37	532 12 37-13	Spring, Torsion Deflector
6	532 12 13-16	Pulley, Idler Flat	38	532 10 53-04	Cap, Sleeve
7	872 11 06-16	Bolt, Carr. 3/8-16 x 1 -3/4 Gr. 5	39	819 11 10-16	Washer 11/32 x 5/8 x 16 Ga.
8	819 13 14-10	Washer 13/21 x 7/8 x 10 Ga.	40	532 11 04-52	Pushnut
9	532 12 77-44	Arm Asm., Idler Mower	41	532 13 12-64	V-Belt
10	872 14 06-10	Bolt, Carriage 3/8-16 x 1-1/4	42	819 17 16-16	Washer 11/32 x 5/8 16 Ga.
11	532 13 08-41	Rod, Brake	43	532 12 46-60	Retainer, Spring
12	532 12 73-56	Bracket, Lift R. H. Rear	44	532 14 06-08	Keeper, L. H.
13	872 14 05-06	Bolt, Carriage 5/16-18 x 3/4	45	532 11 04-85	Bearing
14	873 68 05-00	Nut, Crownlock 5/16-18	46	532 12 87-74	Housing, Mandrel Vented
15	532 12 73-57	Bracket, Lift L. H. Rear	47	532 12 98-95	Bearing
16	532 14 06-09	Keeper, R. H.	48	532 13 76-45	Shaft, Mandrel (Includes Key No. 47)
17	532 12 85-08	Link, Asm. Mower Stabilizer	--	532 13 07-94	Mandrel Asm. (Includes Key Nos. 22-23, 26, 29 and 45-48)
18	532 12 85-11	Pin, Drive	-	532 14 49-73	Deck, Mower Complete
19	532 12 73-80	Bracket, Asm. Front	49	532 13 39-43	Washer, Hardened
20	532 13 84-96	Blade, High Lift	50	871 16 10-10	Screw, Truss 10-24 x 5/8
21	532 14 02-96	Washer, Hardened	51	532 13 63-83	Guard, Deflector Mower 36" TUV(w.Form)
22	810 03 06-00	Washer, Lock 3/8	52	819 07 07-18	Washer 7/32 x 7/16 x 18 Ga.
23	532 85 08-57	Bolt 3/8-24x1-1/4 Gr.8	53	532 06 08-67	Nut, Acorn Hex #10-24
24	532 14 03-29	Stripper			
25	532 13 87-76	Bolt 5/16-18 x 1-1/4			
26	532 12 99-63	Washer .150 Thk.			
27	532 12 99-83	Deck Assembly			
28	532 12 92-07	Pulley, Mandrel			
29	532 13 72-66	Nut, Flangelock 9/16			
30	532 13 66-31	Bracket, Asm. Deflector			

NOTE: All component dimensions given in U.S. inches
1 inch =25.4 mm

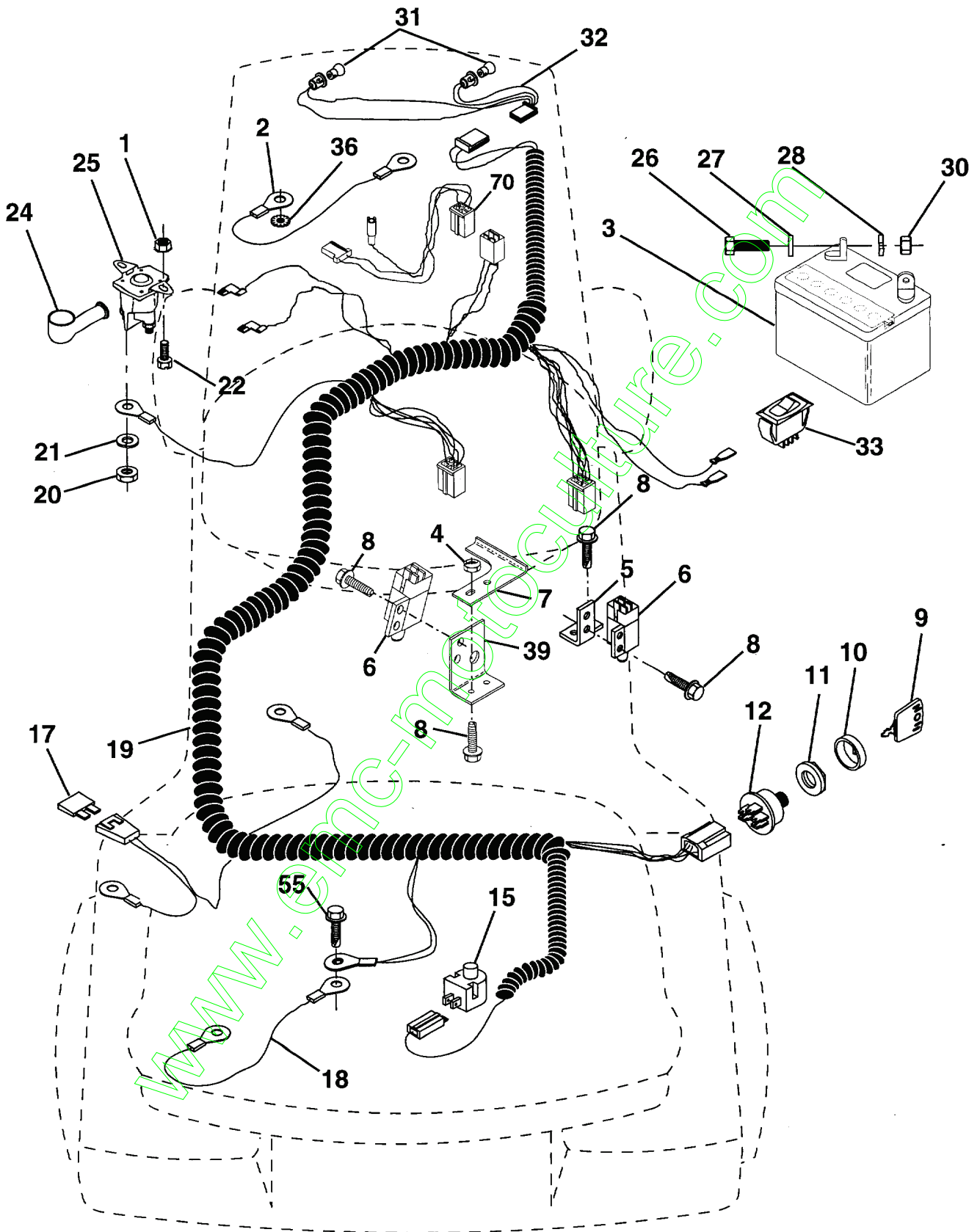
HARDWARE SHOWN LARGER FOR EASIER IDENTIFICATION

www.emc-motoc.com

REPAIR PARTS

TRACTOR - MODEL NO. LT130 (HE1336B), PRODUCT NO. 954 82 00-81

ELECTRICAL



REPAIR PARTS

TRACTOR - MODEL NO. LT130 (HE1336B), PRODUCT NO. 954 82 00-81

ELECTRICAL

KEY NO.	PART NO.	DESCRIPTION
1	873 64 04-00	Nut, Hex Keps 1/4-20
2	532 10 84-23	Assembly, Cable
3	532 14 61-38	Battery
4	532 06 91-80	Nut, Lock #10-24
5	532 10 82-36	Bracket, Switch
6	532 10 95-53	Switch, Interlock (4-terminal)
7	532 14 63-74	Keeper, Actuator
8	817 02 10-08	Screw, Hex Hd. Tap #10-24 x 1/2
9	532 14 04-01	Key, Molded
10	532 14 12-26	Cover, Key Ignition
11	532 14 04-00	Nut, Ignition
12	532 14 49-21	Switch, Ignition
15	532 12 13-05	Switch, Plunger
17	532 10 88-24	Fuse
18	532 12 83-53	Assembly, Cable
19	532 14 60-64	Harness, Ignition
20	873 35 04-00	Nut, Hex Jam 1/4-20
21	810 09 04-00	Washer, Lock 1/4
22	871 11 04-08	Bolt, Fin. Hex 1/4-20 UNC x 1/2 Gr. 5
24	532 13 15-63	Cover, Terminal
25	532 14 56-73	Solenoid
26	874 76 04-12	Bolt, Hex Hd. 1/4-20 UNC x 3/4
27	819 09 10-16	Washer 9/32 x 5/8 x 16
28	810 04 04-00	Washer, Lock 1/4
30	873 22 04-00	Nut, Fin. Hex 1/4-20 UNC
31	532 00 41-52	Bulb, Light
32	532 14 28-81	Harness, Headlight
33	532 11 07-12	Switch, Light
36	811 15 04-00	Washer, Lock Inter. Tooth 1/4
39	532 14 17-35	Bracket, Switch Clutch
55	817 49 05-08	Screw, Thdrol 5/16 - 18 x 1/2
70	532 14 04-13	Harness, Engine

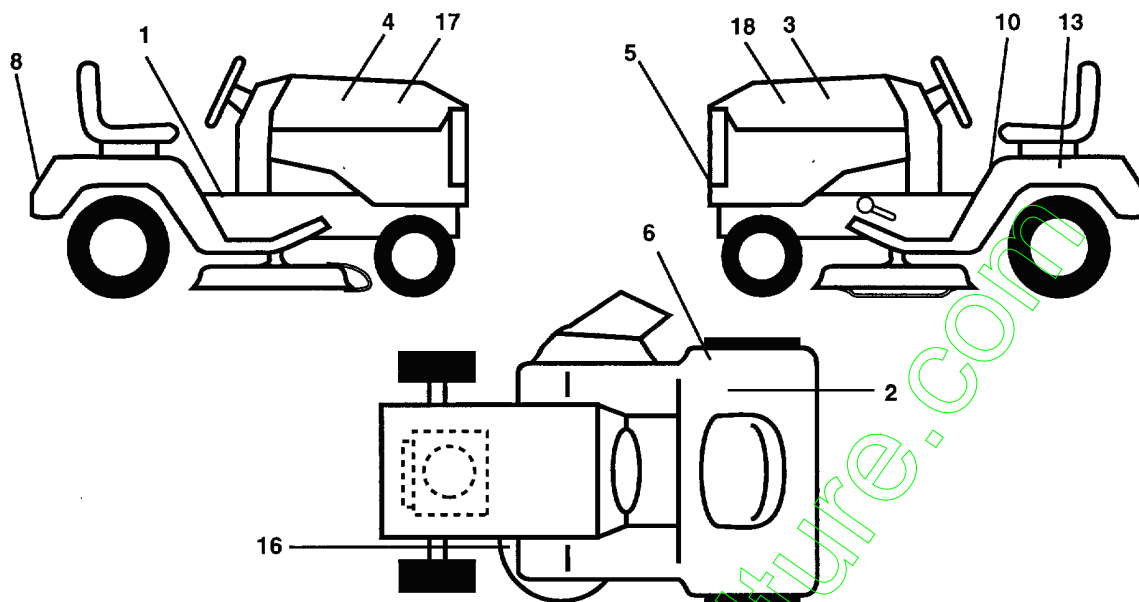
NOTE: All component dimensions given in U.S. inches
1 inch = 25.4 mm

HARDWARE SHOWN LARGER FOR EASIER IDENTIFICATION

REPAIR PARTS

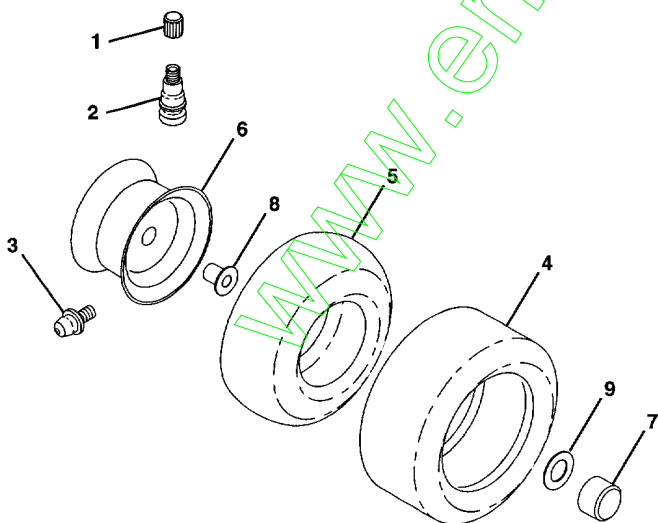
TRACTOR - MODEL NO. LT130 (HE1336B), PRODUCT NO. 954 82 00-81

DECALS



KEY NO.	PART NO.	DESCRIPTION	KEY NO.	PART NO.	DESCRIPTION
1	532 14 55-45	Decal, Operating Inst.	16	532 13 68-30	Decal, V-Belt Schematic
2	532 12 56-90	Decal, 100 DBA Cert.	17	532 15 19-86	Decal, Hood LT130
3	532 14 02-06	Decal, Hood, L. H.	18	532 15 19-87	Decal, Hood LT130
4	532 14 02-05	Decal, Hood, R. H.	--	532 13 83-11	Decal, Height Adjust
5	532 15 06-16	Decal, Logo, Grille	--	532 15 26-57	Manual, Operator's (Scand.)
6	532 14 54-37	Decal, Europe Stand. CE Tractors	--	532 15 26-60	Manual, Operator's (Euro.)
8	532 15 06-17	Decal, Logo, Fender	Available accessories not included with tractor:		
10	532 14 54-98	Decal, Read Owner's Manual	--	C36	Rear Bagger
13	532 14 50-05	Decal, Caution, Battery	--	MK360	Mulcher Plate

WHEELS & TIRES



KEY NO.	PART NO.	DESCRIPTION
1	532 05 91-92	Cap, Valve
2	532 06 51-39	Stem, Valve
3	532 12 49-57	Fitting, Grease\ (Front Wheels Only)
4	532 13 74-22	Tire, Front
4	532 13 27-03	Tire, Rear
5	532 05 99-04	Tube, Front (Optional Service Items Only)
5	532 00 81-34	Tube, Rear (Optional Service Items Only)
6	532 14 20-39	Rim, Front
6	532 14 16-52	Rim, Rear
7	532 10 47-57	Cap, Hub
8	532 12 49-59	Bearing Flange
9	532 12 17-48	Washer 25/32 x 1-5/8 x 16 Ga.
--	532 14 43-34	Sealant, Tire (10 oz. Tube)

NOTE: All component dimensions given in U.S. inches
1 inch = 25.4 mm