

LT 130



1.1994

Spare parts

Ersatzteile

Pièces détachées

Reserve onderdelen

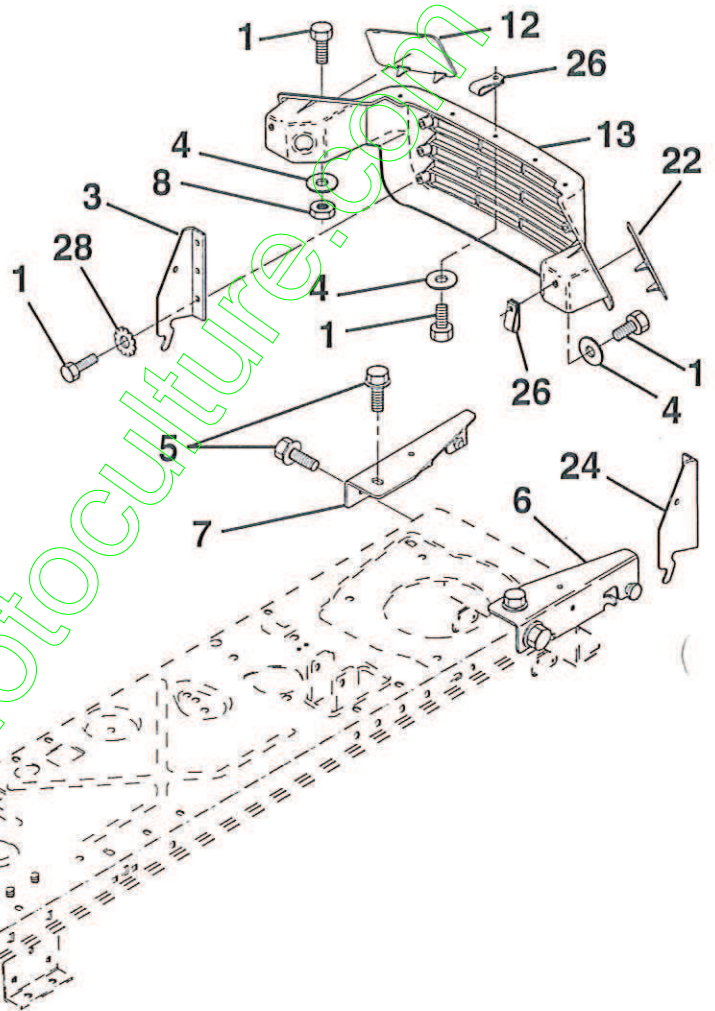
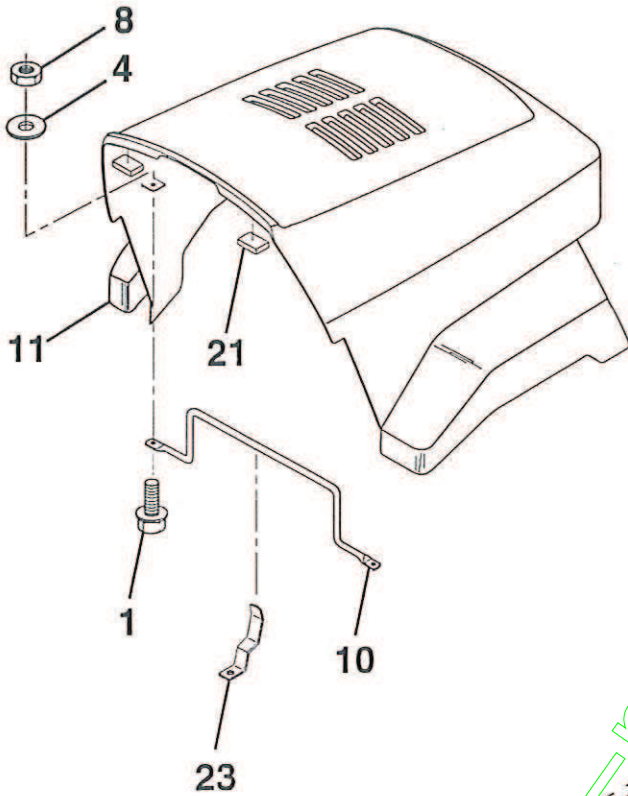
Repuestos

Reservdelar

REPAIR PARTS

13 HP 36" TRACTOR - MODEL NO. HFLT130A, PRODUCT NO. 954 00 08-02

HOOD



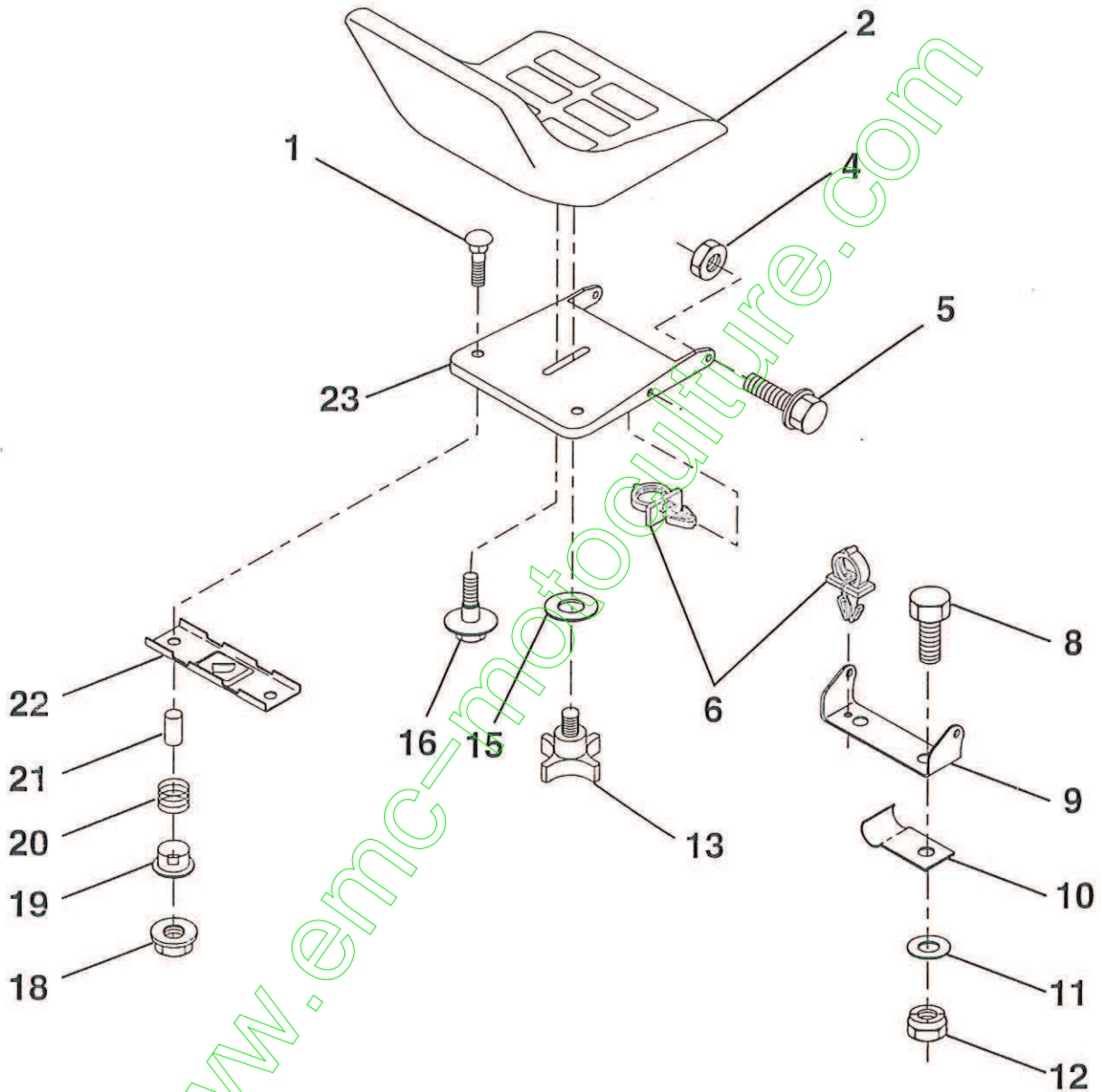
KEY NO.	PART NO.	DESCRIPTION
1	874780410	Bolt, fin Hex 1/4-20 x 5/8
3	532128445	Bracket, Pivot Hood LH
4	819091016	Washer, Flat 1/4
5	817490512	Screw, Thdrol 5/16-18 x 3/4
6	532140051	Bracket, Asm. Pivot Frame RH
7	532140050	Bracket, Asm. Pivot Frame LH
8	873220400	Nut, Fin Hex 1/4-20
10	532130850	Brace, Hood
11	532140142	Hood

KEY NO.	PART NO.	DESCRIPTION
12	532130986	Lens, LH
13	532130984	Grille
21	532126938	Bumper, Hood
22	532130985	Lens RH
23	532139969	Latch, Hood
24	532128446	Bracket, Pivot Hoof RH
26	532052921	Clip, Tinnerman
28	811050400	Washer, Lock Ext. Tooth 1/4

HARDWARE SHOWN LARGER FOR EASIER IDENTIFICATION

REPAIR PARTS

13 HP 36" TRACTOR - MODEL NO. HFLT130A, PRODUCT NO. 954 00 08-02
SEAT



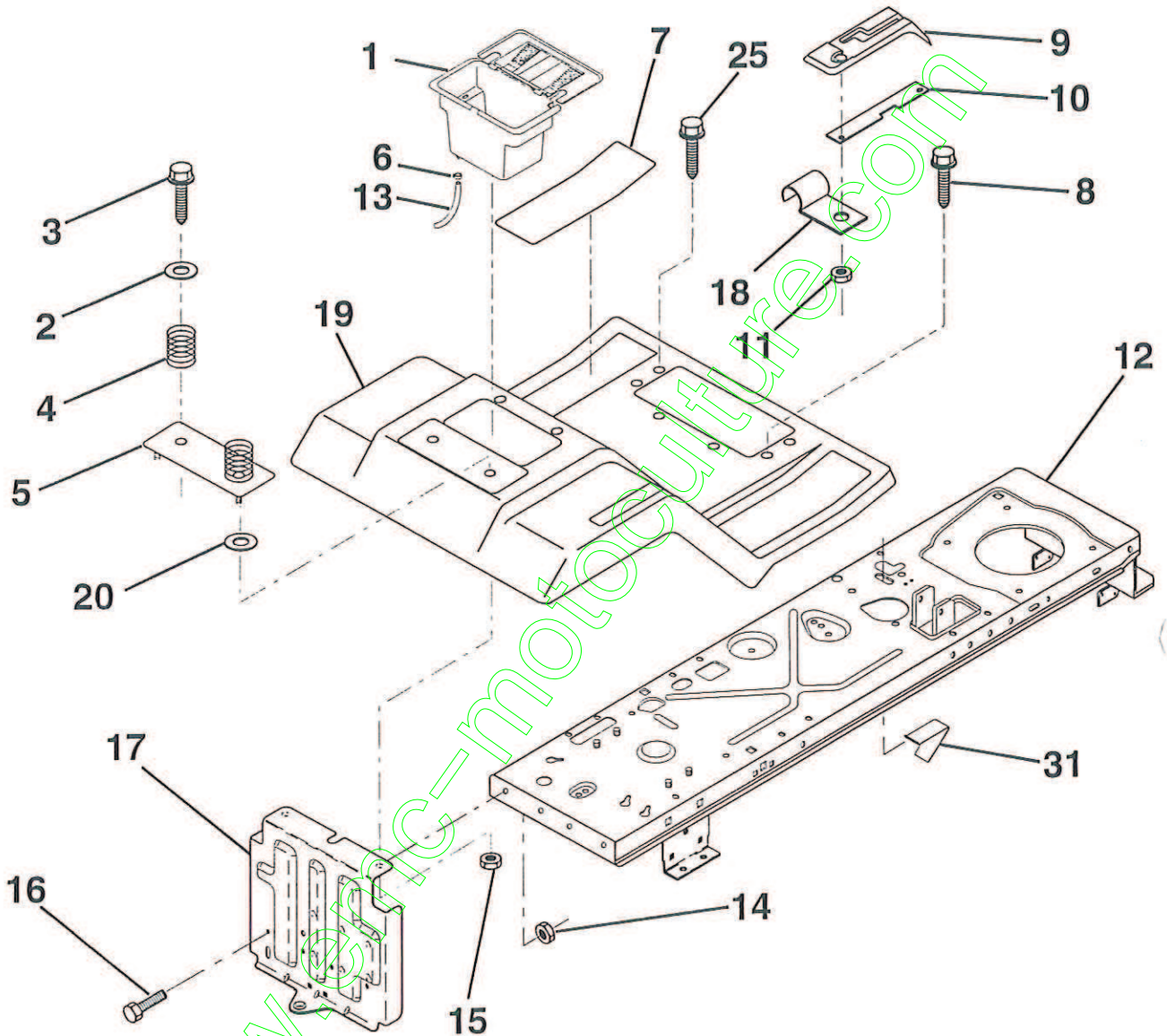
KEY NO.	PART NO.	DESCRIPTION	KEY NO.	PART NO.	DESCRIPTION
1	872050411	Bolt, Carriage 1/4-20 x 1-3/8	12	873800600	Nut, Crownlock 3/8-16 UNC
2	532130875	Seat	13	532120068	Knob, Seat
4	873800500	Nut, Crownlock 5/16-18	15	819171912	Washer, 17/32 x 1-3/16 x 12 Ga.
5	532139888	Bolt, Shoulder 5/16-18 UNC	16	532127018	Bolt, Shoulder
6	532140407	Clip, Insulated	18	532123976	Nut, Hex Large Flange Lock
8	874760612	Bolt, Fin Hex 3/8-16 UNC x 3/4	19	532121248	Bushing, Snap
9	532140551	Bracket, Pivot Seat	20	532121250	Spring, Compression
10	532126471	Clip Insulated	21	532134300	Spacer, Split 28 Id. x .96 Lg.
11	819133210	Washer 12/32 x 2 x 10 Ga.	22	532121246	Bracket, Switch, Mounting
			23	532140552	Pan, Seat

HARDWARE SHOWN LARGER FOR EASIER IDENTIFICATION

REPAIR PARTS

13 HP 36" TRACTOR - MODEL NO. HFLT130A, PRODUCT NO. 954 00 08-02

FENDER/CHASSIS

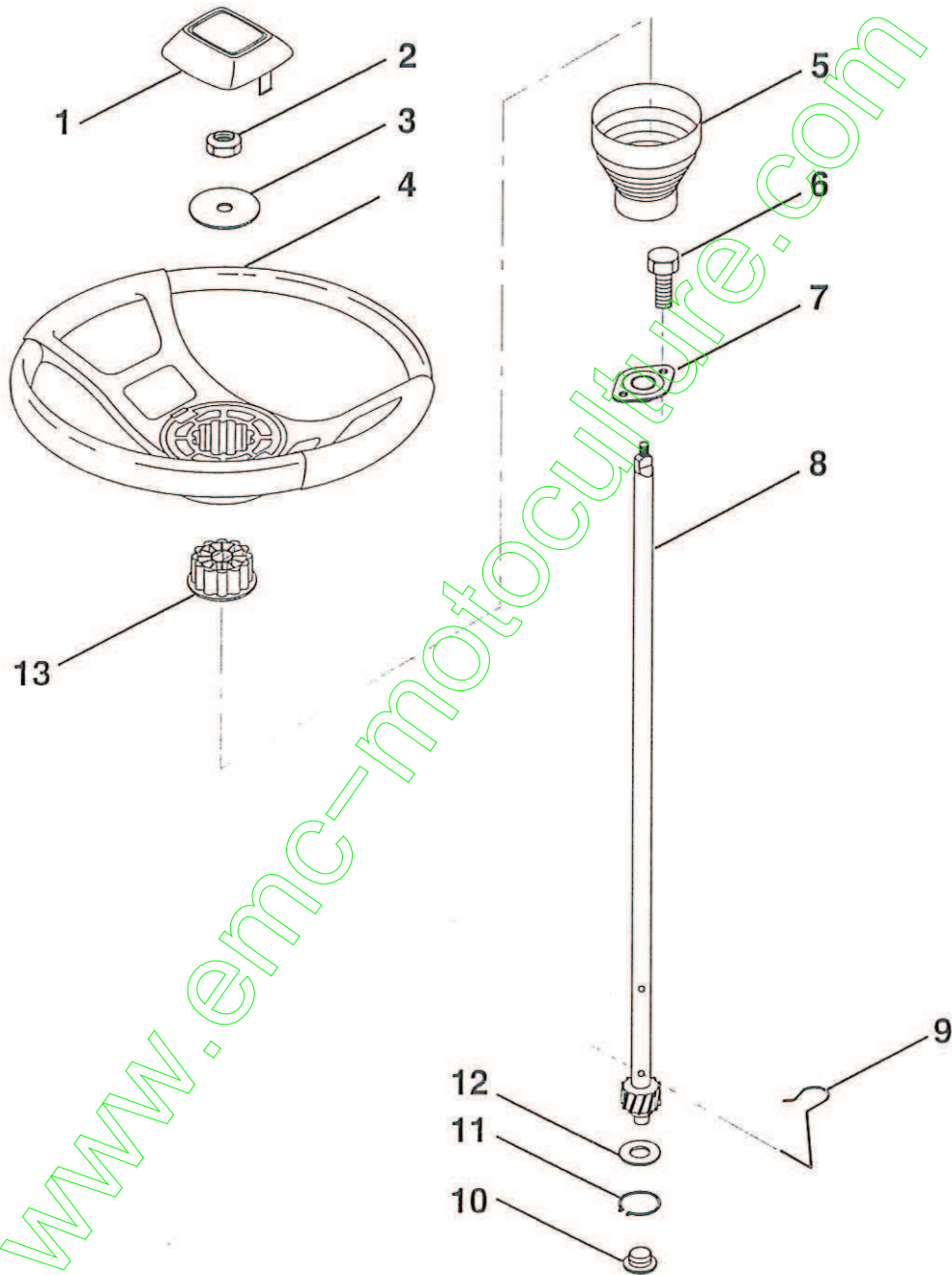


KEY NO.	PART NO.	DESCRIPTION	KEY NO.	PART NO.	DESCRIPTION
1	532129965	Case, Battery	11	532124346	Nut, Self-Threading, Wsh Hd 3/16
2	819132012	Washer 13/32 x 1-1/4 x 12 Ga.	12	532140784	Assembly, Frame
3	817490612	Screw, Hex Wsh. Thrdrol. 3/8-16 x 3/4	13	532109238	Tube, Battery Drain
4	532124181	Spring, Compression, Seat	14	873800500	Nut, Crownlock 5/16-18
5	532125142	Plate, Asm. Battery	15	873510400	Nut, Keps 1/4-20 UNC
6	532109596	Clamp, Hose	16	874760512	Bolt, Hex Hd. 5/16-18 UNC x 3/4
7	532126700	Pad, Footrest	17	532140782	Drawbar
8	817490512	Screw, Hex Wsh. Thrdrol. 5/16-18 x 3/4	18	532126470	Clip, Insulated
9	532126995	Console, Shift Control	19	532141393	Fender/Footrest
10	532139783	Plate, Shift Lock	20	819091413	Washer 9/32 x 7/8 x 13 Ga.
			25	817490516	Screw Hex Wsh Thrdrol 5/16-18 x 1
			31	532141736	Switch Actuator

HARDWARE SHOWN LARGER FOR EASIER IDENTIFICATION

REPAIR PARTS

13 HP 36" TRACTOR - MODEL NO. HFLT130A, PRODUCT NO. 954 00 08-02
STEERING WHEEL

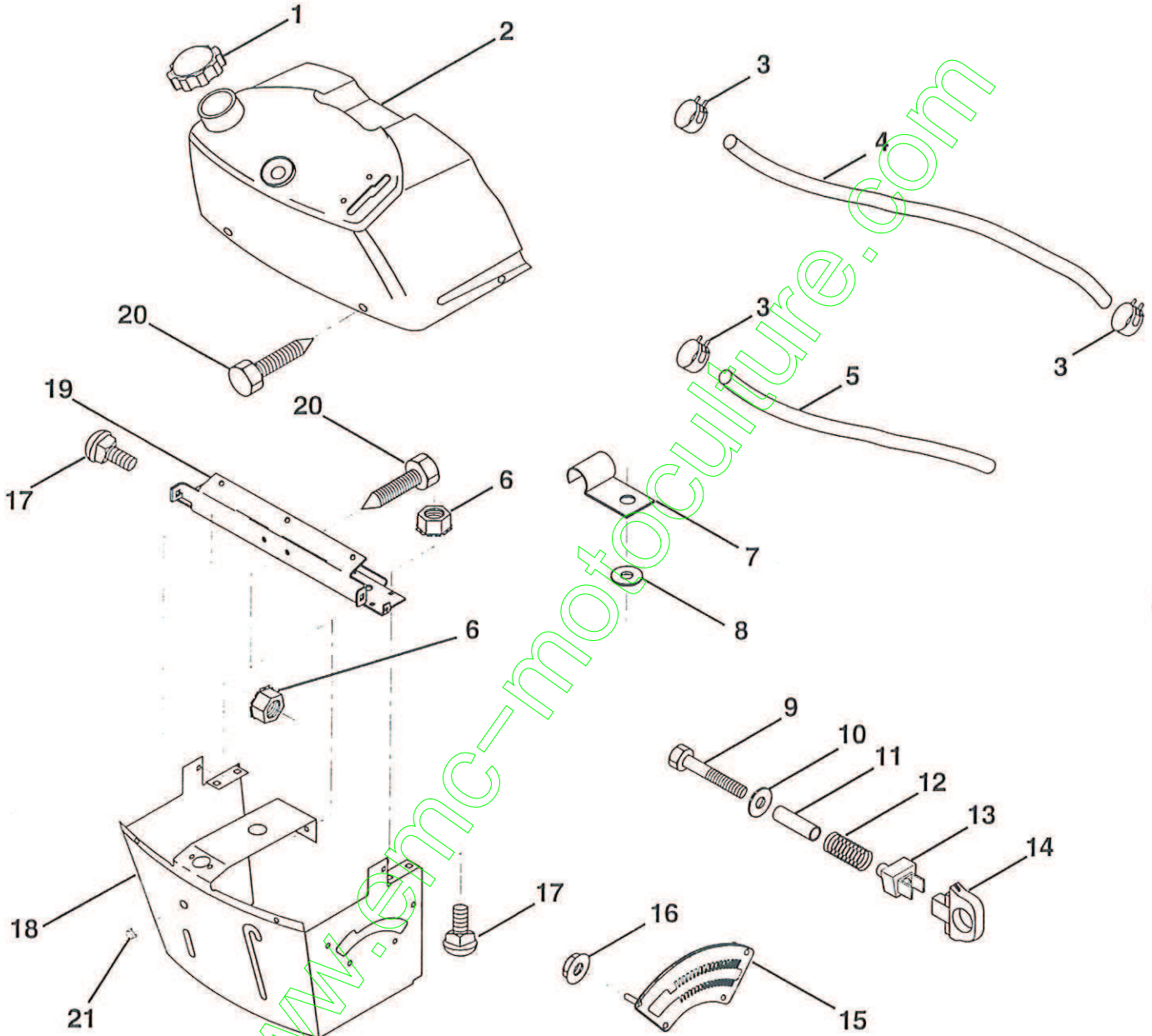


KEY NO.	PART NO.	DESCRIPTION	KEY NO.	PART NO.	DESCRIPTION
1	532124416	Insert, Wheel, Steering	8	532123651	Shaft, Steering
2	532124701	Nut, Lock 3/8-24 UNF	9	532124210	Clip, Steering
3	819133808	Washer 12/32 x 2-3/8 x 8 Ga.	10	532123438	Bushing, Lower, Steering
4	532124415	Wheel, Steering	11	812000045	Ring, Retaining
5	532127396	Sleeve, Steering	12	819211616	Washer 21/32 x 1 x 16 Ga.
6	817431008	Screw, Hex #10-16 x 1/2 TY-B	13	532104820	Adaptor, Wheel, Steering
7	532102803	Bushing, Steering			

HARDWARE SHOWN LARGER FOR EASIER IDENTIFICATION

REPAIR PARTS

13 HP 36" TRACTOR - MODEL NO. HFLT130A, PRODUCT NO. 954 00 08-02,
DASH



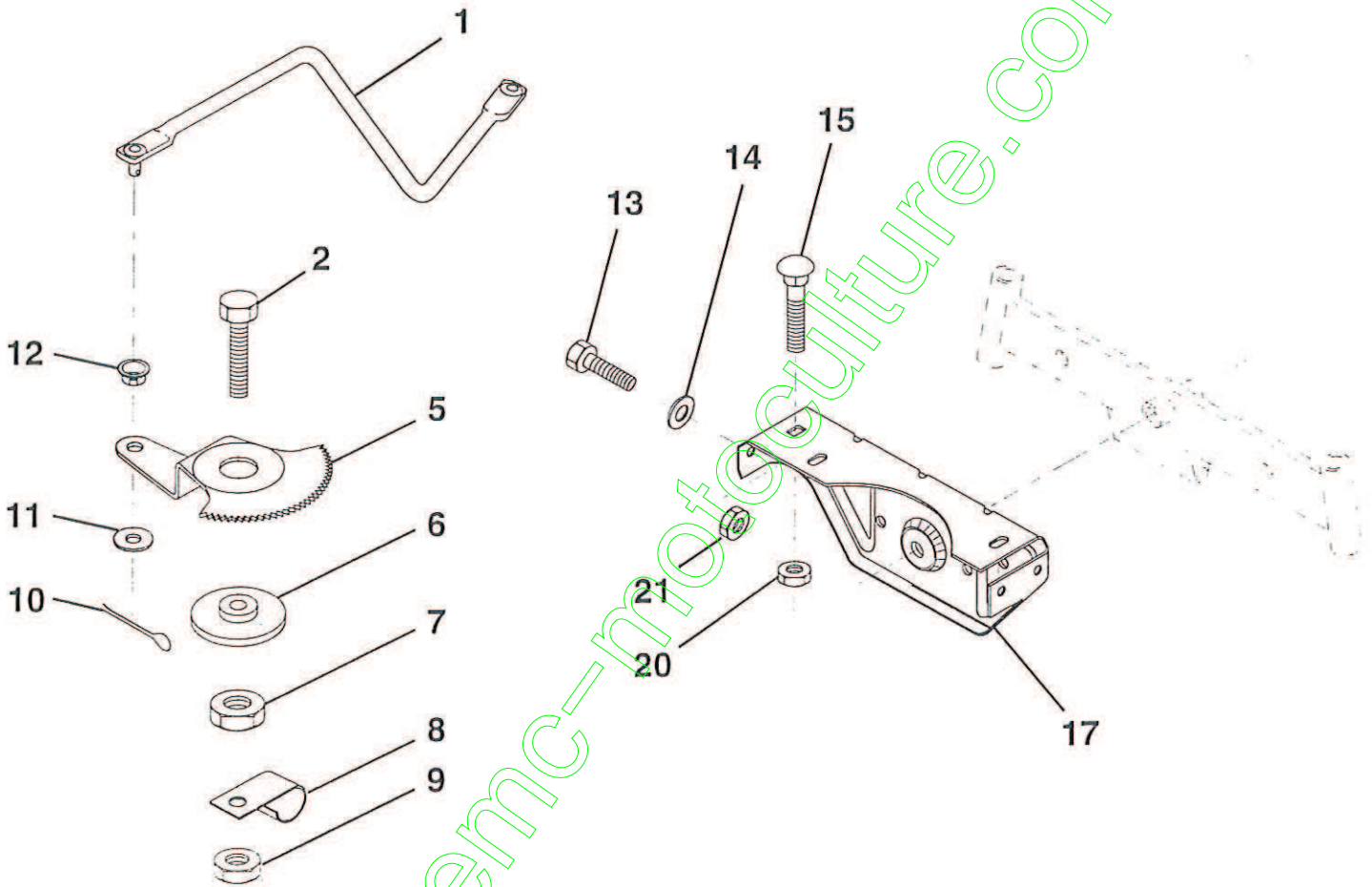
KEY NO.	PART NO.	DESCRIPTION
1	532142187	Cap, Fuel
2	532138395	Assembly, Dash & Fuel Tank
3	532123487	Clamp, Hose
4	532008544	Line, Fuel
5	532008548	Line, Fuel
6	873510400	Nut, Hex, Keps 1/4-20
7	532124996	Clip, Fuel Line
8	819091216	Washer 9/32 x 3/4 x 16 Ga.
9	874760428	Bolt, Hex, Fin 1/4-20 x 1-3/4
10	819091413	Washer 11/32 x 11/16 x 16 Ga.
11	532121249	Spacer, Split

KEY NO.	PART NO.	DESCRIPTION
12	532003720	Spring
13	532126450	Clip, Height Adjustment
14	532126115	Knob, Height Stop
15	532122023	Adjustment, Quadrant Height
16	532124346	Nut, Self-Threading 3/16-18
17	872110404	Bolt, Carriage 1/4-20 x 1/2 Gr. 5
18	532130745	Support Assembly, Dash
19	532134744	Brace, Cross
20	817060408	Screw, Self-Tapping 1/4-20 x 1/2
21	532134014	Plug Dome Black

HARDWARE SHOWN LARGER FOR EASIER IDENTIFICATION

REPAIR PARTS

13 HP 36" TRACTOR - MODEL NO. HFLT130A, PRODUCT NO. 954 00 08-02
SECTOR GEAR / AXLE SUPPORT



KEY NO.	PART NO.	DESCRIPTION
1	532132566	Link, Drag
2	874780828	Bolt, Fin Hex 1/2-13 x 1-3/4
5	532121926	Gear, Sector
6	532121927	Bushing
7	873030800	Nut, Heavy Hex Top Lock 1/2-13UNC
8	532126472	Clip, Insulated
9	873680800	Nut, Crownlock 3/8-16
0	876020412	Pin, Cotter 1/8 x 3/4

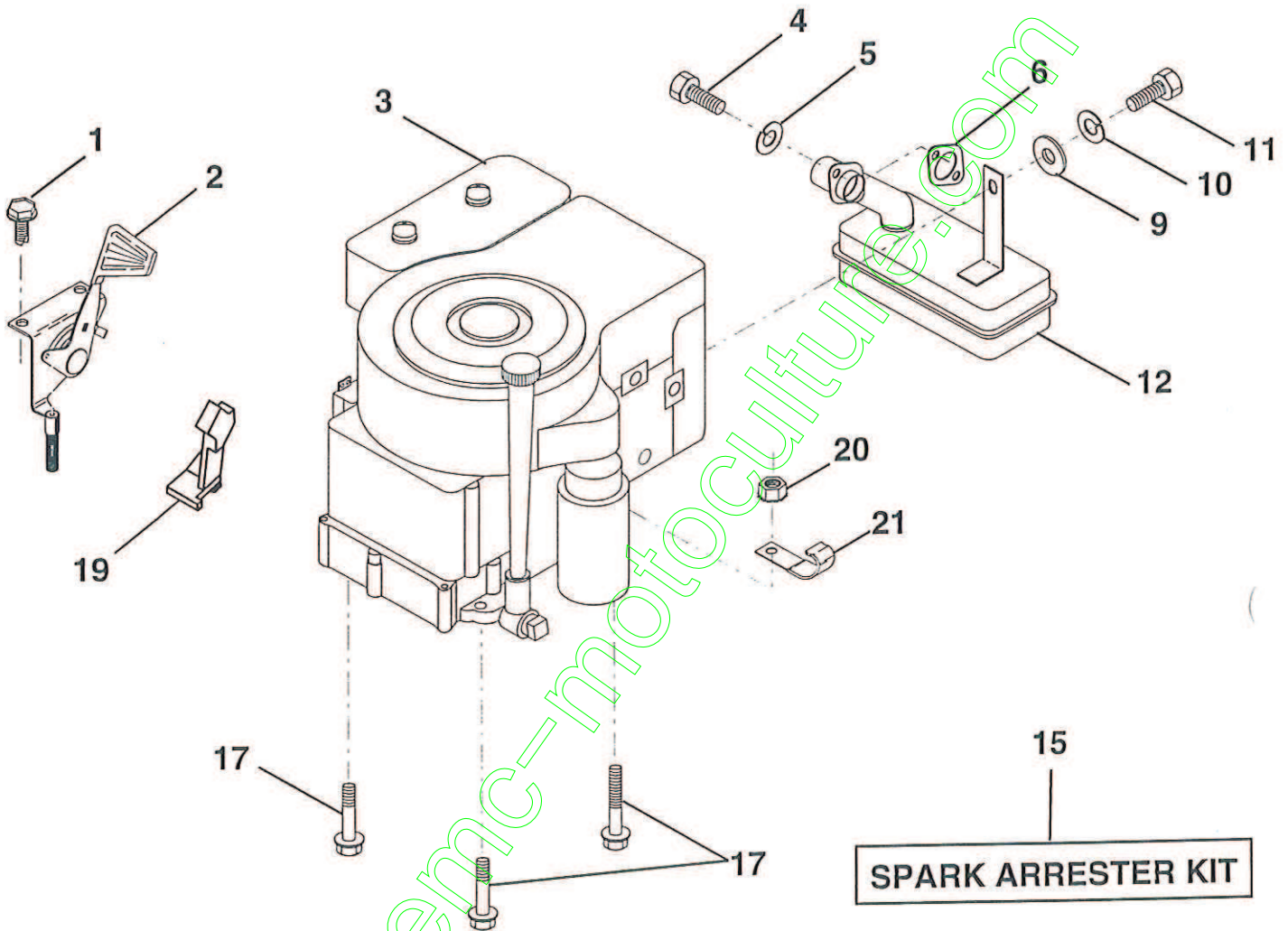
KEY NO.	PART NO.	DESCRIPTION
11	819131316	Washer, 13/32 x 13/16 x 16 Ga.
12	532126847	Bushing
13	874760512	Bolt, Hex Hd. 5/16-18 UNC x 3/4
14	819111416	Washer 11/32 x 7/8 x 16 Ga.
15	872110606	Bolt, Carriage 3/8-16 UNC x 3/4
17	532137096	Support, Front Axle
20	873800600	Nut, Crownlock 3/8-16 UNC
21	873800500	Nut, Crownlock 5/16-18

HARDWARE SHOWN LARGER FOR EASIER IDENTIFICATION

REPAIR PARTS

13 HP 36" TRACTOR - MODEL NO. HFLT130A, PRODUCT NO. 954 00 08-0

ENGINE



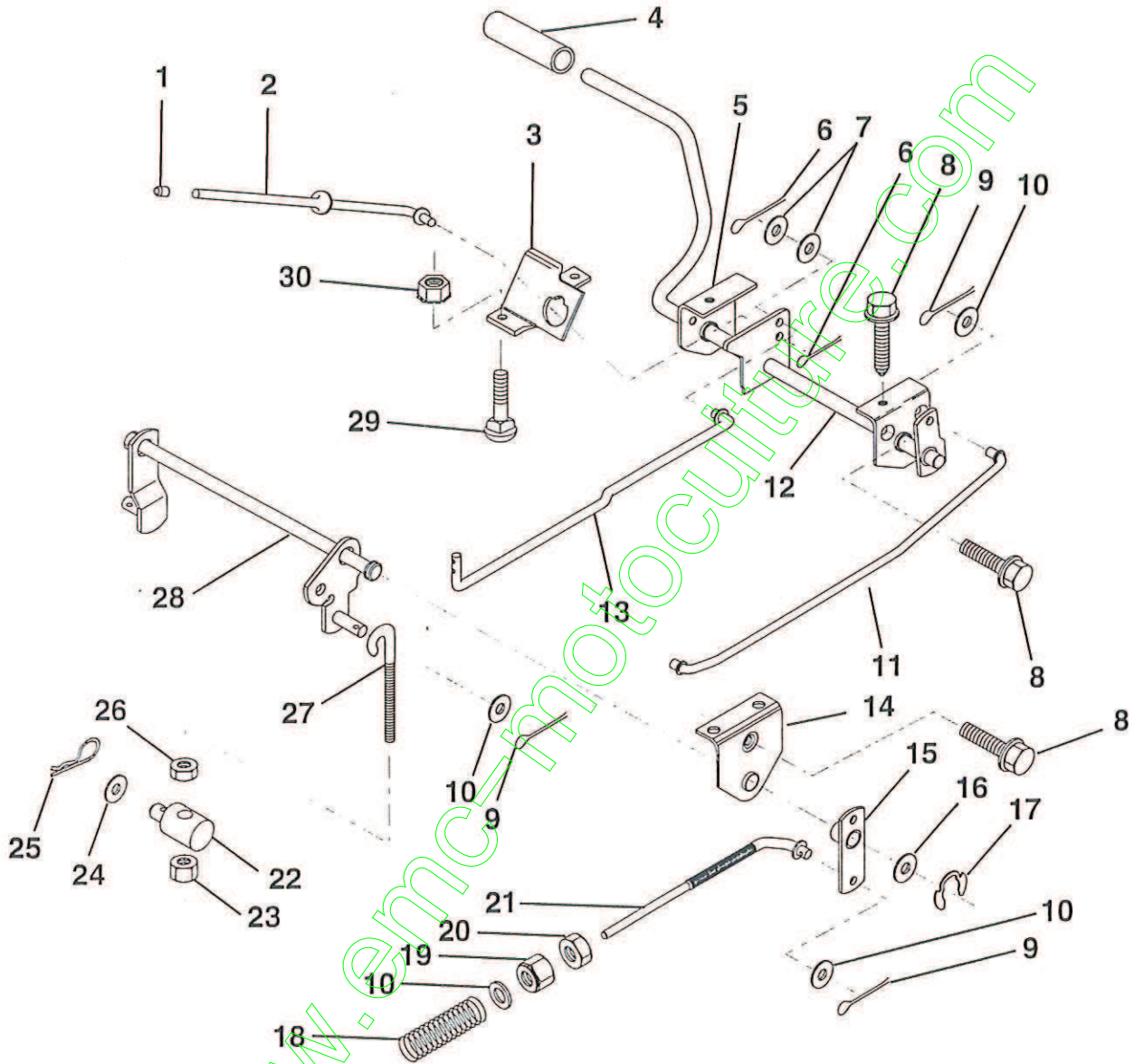
KEY NO.	PART NO.	DESCRIPTION
1	817060408	Screw, Hex Thd. Cut 1/4-20 x 1/2
2	532133025	Control, Throttle
3	-----	Engine, Briggs and Stratton Model No. 286707
4	871070512	Screw, Hex, Cap 5/16-18 x 3/4
5	810040500	Washer, Lock Heavy Helical Spring 5/16
6	532125593	Gasket, Exhaust
9	819101216	Washer 5/16 x 3/4 x 16

KEY NO.	PART NO.	DESCRIPTION
10	810040400	Washer, Lock Heavy Helical Spring 1/4
11	874760412	Bolt, Hex Fin. 1/4-20 UNC x 3/4
12	532137437	Muffler
15	532137180	Arrester, Spark (Optional equipment)
17	817490624	Screw, Hex Washer Head, Thdrol. 3/8-16 x 1-1/2
19	532127951	Stop, Throttle
20	873510600	Nut Keps Hex 3/8-16
21	532124996	Clip Line Fuel

HARDWARE SHOWN LARGER FOR EASIER IDENTIFICATION

REPAIR PARTS

13 HP 36" TRACTOR - MODEL NO. HFLT130A, PRODUCT NO. 954 00 08-02
BRAKE / REAR MOWER LIFT ASSEMBLY



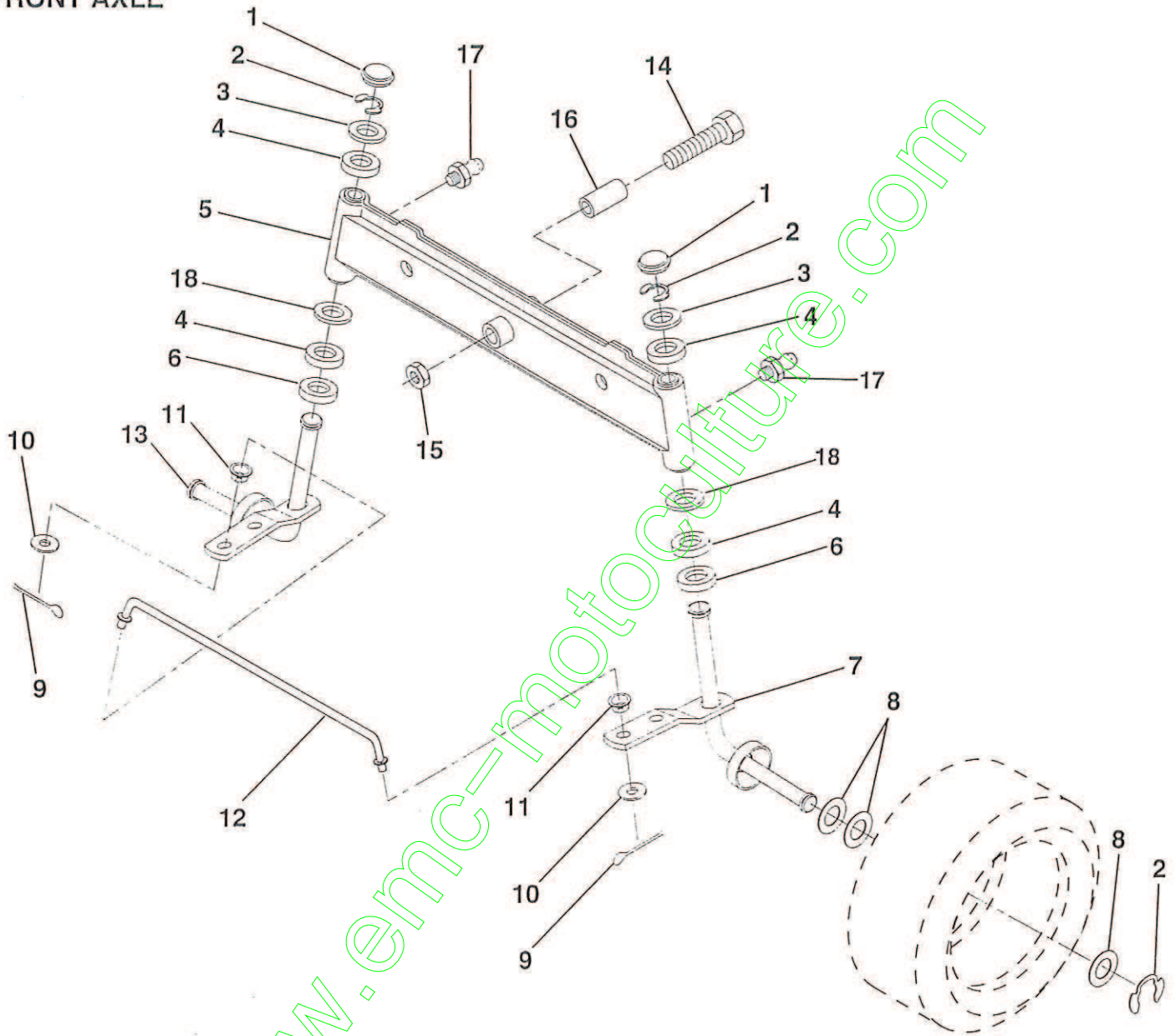
KEY NO.	PART NO.	DESCRIPTION	KEY NO.	PART NO.	DESCRIPTION
1	532071673	Cap, Plunger	16	819251816	Washer 25/32 x 1-1/8 x 16 Ga.
2	532123436	Rod, Parking Brake	17	812000034	Ring, Klip
3	532123437	Bracket, Parking Brake	18	532106888	Spring, Brake Rod
4	532008156	Cover, Pedal	19	873350600	Nut, Hex, Jam 3/8-16 UNC
5	532122504	Bracket, Clutch/Brake Pedal, L.H.	20	873800600	Locknut, Hex w/Washer Insert 3/8-16 UNC
6	876020312	Pin, Cotter 3/32 x 3/4	21	532131460	Rod, Rear Brake
7	819131016	Washer 13/32 x 5/8 x 16 Ga.	22	532127378	Trunnion, Lift
8	817490508	Screw, Hex, Thd. Roll. 5/16-18 x 1/2	23	873800600	Nut, Crownlock 3/8-16 UNC
9	876020412	Pin, Cotter 1/8 x 3/4	24	819132012	Washer 13/32 x 1-1/4 x 12 Ga.
10	819131316	Washer 13/32 x 13/16 x 16 Ga.	25	532124961	Spring, Retainer
11	532123543	Rod, Brake Front	26	873930600	Nut, Centerlock 3/8-16 UNC
12	532139933	Assembly, Clutch/Brake Pedal	27	532127369	Link, Threaded
13	532123394	Rod, Clutch	28	532140776	Assembly, Rear Mower Lift
14	532121978	Bracket, Lift, Shaft	29	872110506	Bolt, Carriage 5/16-18 UNC x 3/4
15	532123641	Assembly, Brake, Pivot, Arm	30	873510500	Nut, Keps 5/16-16 UNC

HARDWARE SHOWN LARGER FOR EASIER IDENTIFICATION

REPAIR PARTS

13 HP 36" TRACTOR - MODEL NO. HFLT130A, PRODUCT NO. 954 00 08-02

FRONT AXLE



KEY NO.	PART NO.	DESCRIPTION
1	532121232	Cap, Spindle
2	812000029	Ring, Clip
3	532121748	Washer 25/32 x 1-5/8 x 16 Ga.
4	532124937	Bearing Col Strg.
5	532133988	Axle, Front
6	532124931	Bearing, Thrust
7	532137062	Spindle, R.H. Asm.
8	532121749	Washer 25/32 x 1-1/4 x 16 Ga.
9	876020412	Pin, Cotter 1/8 x 3/4

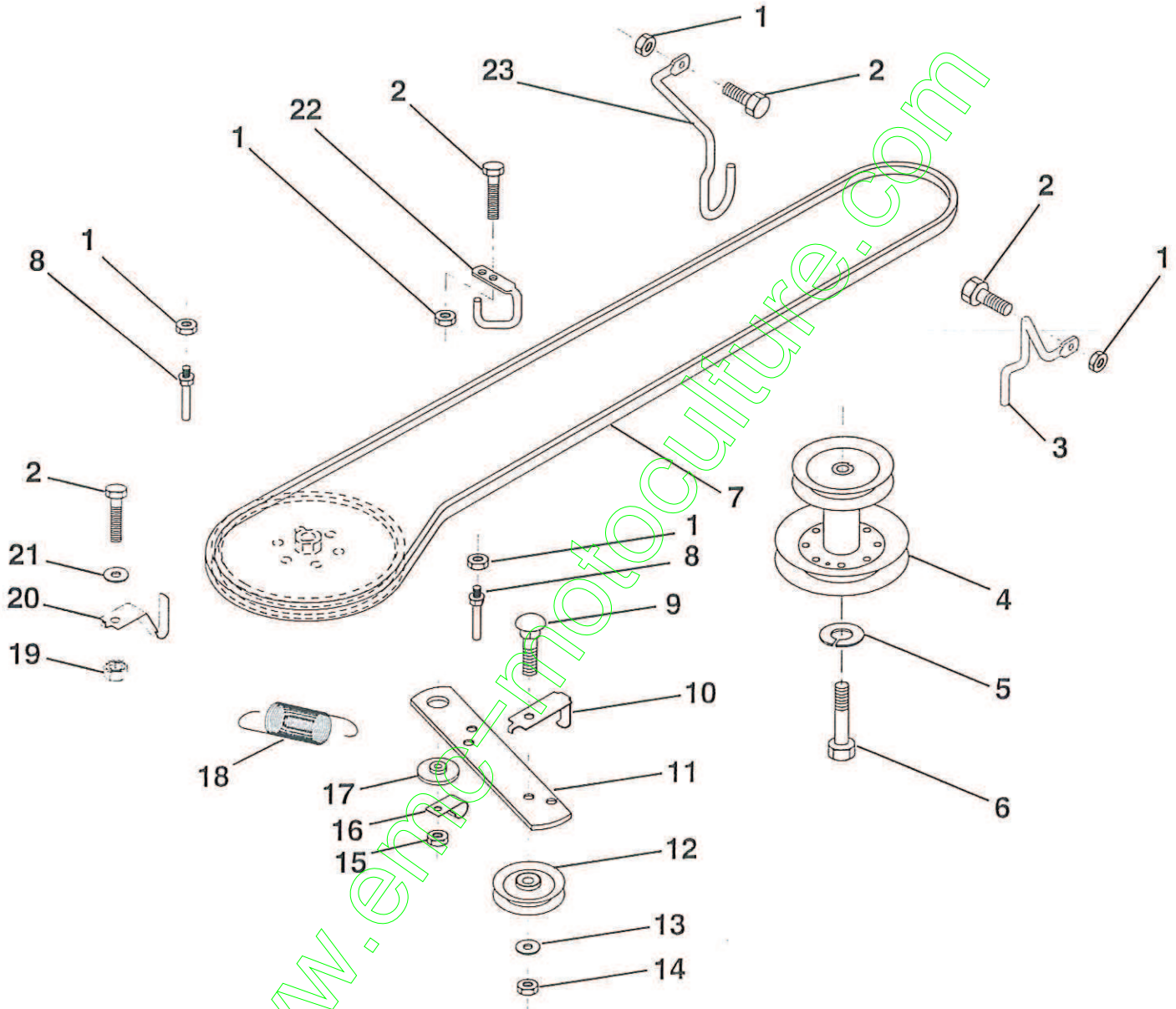
KEY NO.	PART NO.	DESCRIPTION
10	819131316	Washer 13/32 x 13/16 x 16 Ga.
11	532126847	Bushing
12	532130465	Rod, Tie
13	532137061	Spindle, L.H. Asm.
14	874011056	Bolt Hex 5/8-11 x 3-1/2
15	873901000	Locknut Flange 5/8-11
16	532110438	Spacer Bearing
17	532124836	Fitting Grease
18	819272016	Washer 27/32 x 1-1/4 x 16 Ga.

HARDWARE SHOWN LARGER FOR EASIER IDENTIFICATION

REPAIR PARTS

13 HP 36" TRACTOR - MODEL NO. HFLT130A, PRODUCT NO. 954 00 08-02

GROUND DRIVE

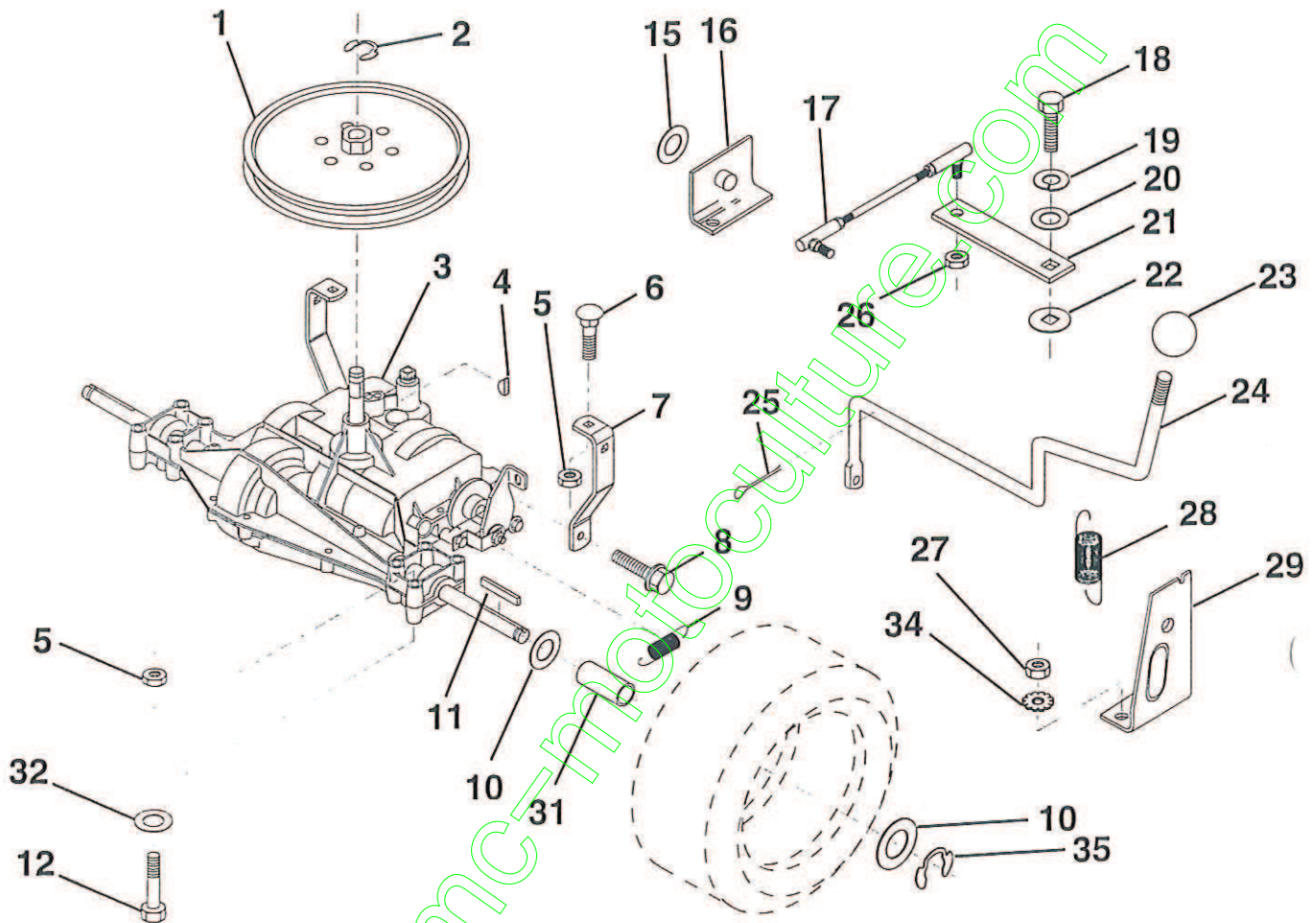


KEY NO.	PART NO.	DESCRIPTION	KEY NO.	PART NO.	DESCRIPTION
1	873800500	Nut, Crownlock 5/16-18	13	819131316	Washer 13/32 x 13/16 x 16 Ga.
2	874760512	Bolt, Hex Hd 5/16-18 UNC x 3/4	14	873930600	Nut, Centerlock 3/8-16 UNC
3	532141342	Keeper, Mower Drive, R. H.	15	873800600	Nut, Crownlock 3/8-16 UNC
4	532138029	Pulley, Engine	16	532126471	Clip, Insulated
5	810040700	Washer, Lock 7/16	17	532122052	Spacer, Retainer
6	871170744	Bolt Hex 7/16-20 Gr. 5	18	532131459	Spring Extension
7	532126520	Traction, V-Belt Drive	19	873510500	Nut, Keps 5/16-18 UNC
8	532123405	Keeper, T/A Ground Drive Belt	20	532139919	Keeper, T/A Ground Drive Belt
9	872140612	Bolt, Carr. 3/8-16 UNC x 1-1/2	21	819111016	Washer 11/32 x 5/8 x 16 Ga.
10	532123396	Keeper, Belt Ground Drive Idler	22	532123404	Keeper, Frame Ground Drive Belt
11	532140911	Arm, Ground Drive Clutch	23	532140916	Keeper, Mower Drive, L. H.
12	532123674	Idler, Flat			

HARDWARE SHOWN LARGER FOR EASIER IDENTIFICATION

REPAIR PARTS

13 HP 36" TRACTOR - MODEL NO. HFLT130A, PRODUCT NO. 954 00 08-07
TRANSAXLE



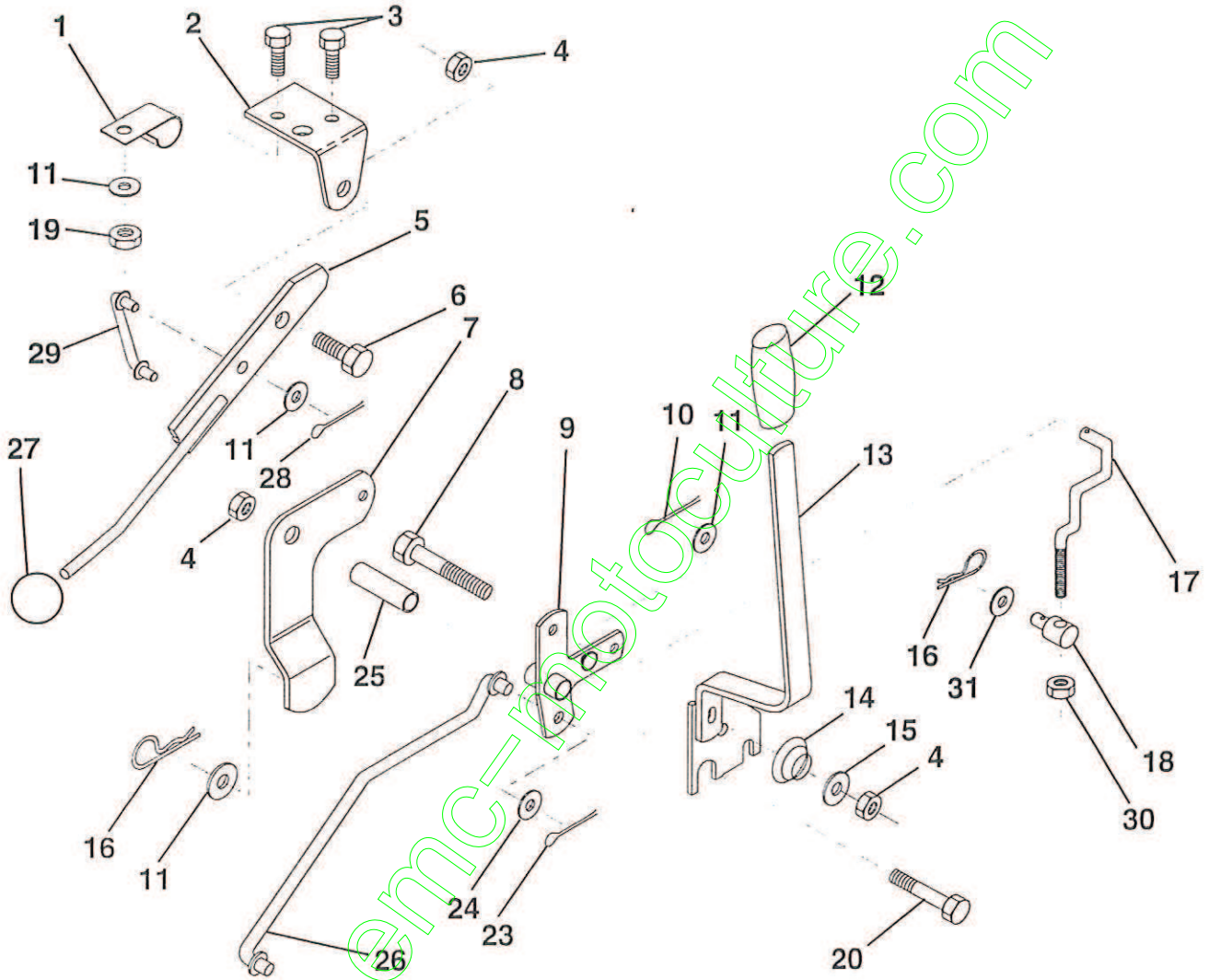
KEY NO.	PART NO.	DESCRIPTION	KEY NO.	PART NO.	DESCRIPTION
1	532123385	Pulley	18	871040412	Bolt, Fin Hex 1/4-28 UNF x 3/4 Gr. 8
2	812000028	Ring, Retainer	19	810040400	Washer, Lock 1/4
3	-----	Transaxle, Peerless 6 Spd. Model No. 930-010	20	819091210	Washer 9/32 x 3/4 x 10 Ga.
4	532125096	Key, Woodruff #9	21	532126292	Arm, Shift
5	873800500	Nut, Crownlock 5/16-18	22	532105701	Washer, Shift Plate
6	872140506	Bolt, Carriage 5/16-18 UNC x 3/4	23	532121274	Knob, Duckhead
7	532123378	Strap, Torque	24	532128215	Rod, Shift
8	817490512	Screw 5/16-18 x 3/4	25	876020416	Pin, Cotter 1/8 x 1
9	532110422	Spring, Brake	26	873810500	Locknut 5/16-24 UNF
10	532121749	Washer 25/32 x 1-1/4 x 16 Ga.	27	873510500	Nut, Keps 5/16-18
11	532123583	Key, Square	28	532128085	Extension, Spring
12	874760540	Bolt, Fin Hex 5/16-18 x 2-1/2	29	532128084	Support Handle Shift RH
15	819171616	Washer 17/32 x 1 x 16 Ga.	31	532137057	Spacer Axle
16	532124600	Support Handle Shift LH	32	819111116	Washer 11/32 x 11/16 x 16 Ga.
17	532126293	Link, Shift	34	811050500	Washer External Tooth 5/16
			35	812000001	E-Ring

HARDWARE SHOWN LARGER FOR EASIER IDENTIFICATION

REPAIR PARTS

13 HP 36" TRACTOR - MODEL NO. HFLT130A, PRODUCT NO. 954 00 08-02

MOWER LIFT LEVER



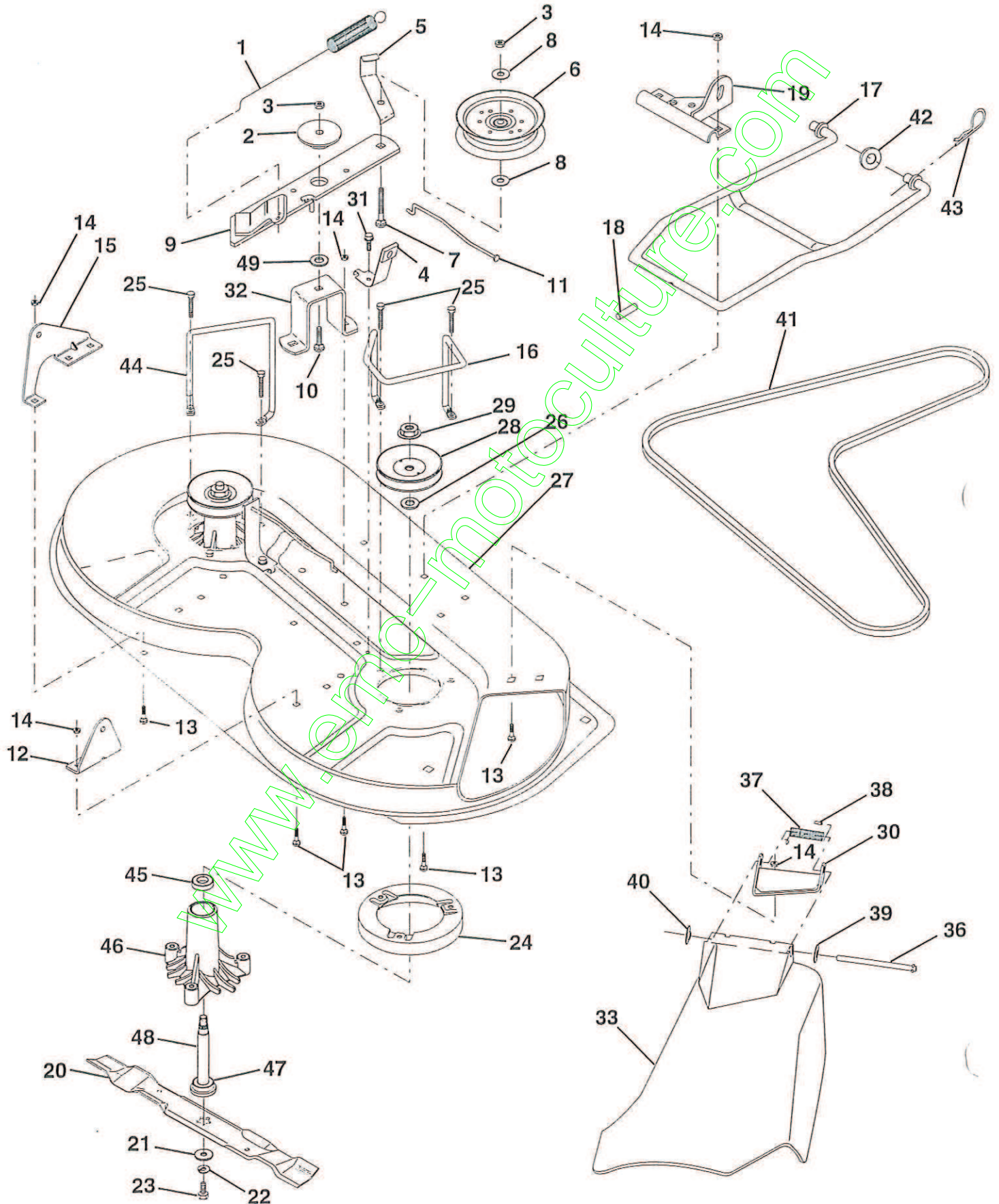
KEY NO.	PART NO.	DESCRIPTION
1	532126470	Clip, Insulated
2	532122018	Bracket, Mower Clutch
3	874780408	Bolt, Fin. Hex 1/4-20 UNC x 1/2 Gr. 5
4	873800600	Nut, Crownlock 3/8-16 UNC
5	532123417	Assembly, Clutch Lever
6	532106451	Bolt, Shoulder
7	532135371	Assembly, Mower Clutch Arm
8	874760636	Bolt, Hex 3/8-16 UNC x 2-1/4
9	532121930	Assembly, Bellcrank Lift
10	876020412	Pin, Cotter 1/8 x 3/4
11	819131316	Washer 13/32 x 13/16 x 16 Ga.
12	532122027	Grip, Handle
13	532139352	Assembly, Lift Handle
14	532123496	Spring, Compression

KEY NO.	PART NO.	DESCRIPTION
15	819131212	Washer 13/32 x 3/4 x 12 Ga.
16	532124961	Retainer, Spring
17	532127359	Link, Front Lift
18	532133205	Trunnion, Threaded 3/8-16
19	873680400	Nut, Crownlock 1/4-20
20	874760644	Bolt, Fin. Hex 3/8-16 UNC x 2-3/4
23	876020416	Pin, Cotter 1/8 x 1
24	819171616	Washer 17/32 x 1 x 16 Ga.
25	532121933	Tube, Spacer
26	532141470	Rod, Mower Lift
27	532121466	Knob
28	876020312	Pin, Cotter 3/32 x 3/4
29	532131655	Link, Mower Clutch
30	873350600	Nut Hex Jam 3/8-16
31	819132012	Washer 13/32 x 1-1/4 x 12 Ga.

HARDWARE SHOWN LARGER FOR EASIER IDENTIFICATION

REPAIR PARTS

13 HP 36" TRACTOR - MODEL NO. HFLT130A, PRODUCT NO. 954 00 08-02
MOWER DECK



REPAIR PARTS

13 HP 36" TRACTOR - MODEL NO. HFLT130A, PRODUCT NO. 954 00 08-02

MOWER DECK

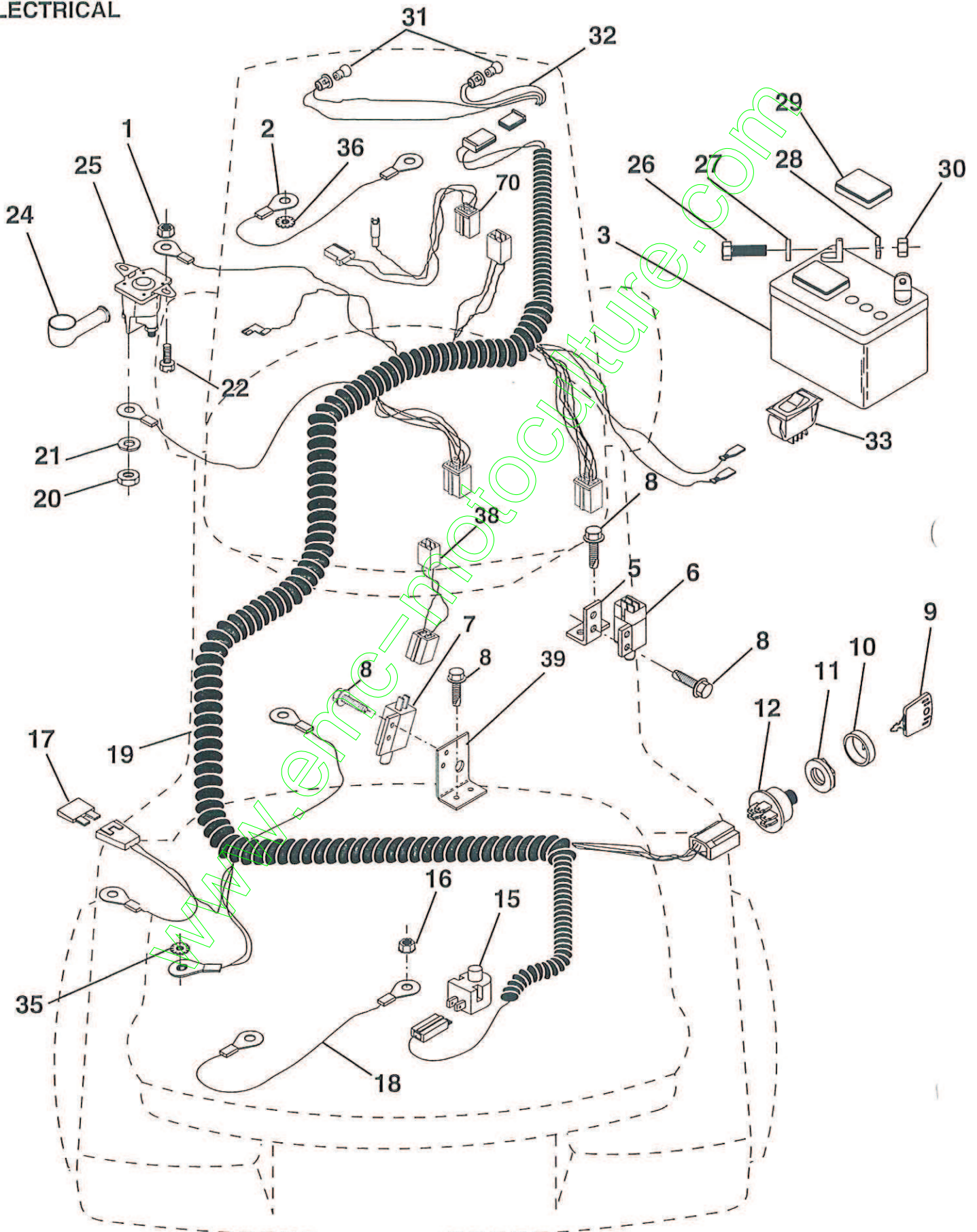
KEY NO.	PART NO.	DESCRIPTION	KEY NO.	PART NO.	DESCRIPTION
1	532140064	Spring, Mower Clutch	27	532129983	Deck Assembly
2	532122052	Spacer, Retainer	28	532129207	Pulley, Mandrel
3	873800600	Nut, Crownlock	29	532137266	Nut, Flangelock 9/16
4	532130840	Brake Asm.	30	532136631	Bracket, Asm. Deflector
5	532131251	Guide, Belt Idler	31	817490508	Screw, Hex Wsh. Thdrol. 5/16-18 x 1/2
6	532121316	Pulley, Flat Idler	32	532122051	Arm, Support Idler Mower
7	872110616	Bolt, Carr. 3/8-16 x 1-3/4 Gr. 5	33	532131560	Deflector
8	819131410	Washer 13/21 x 7/8 x 10 Ga.	36	532121980	Rod, Hinge
9	532140092	Arm Asm., Idler Mower	37	532123713	Spring, Torsion Deflector
10	872140610	Bolt, Carriage 3/8-16 x 1-1/4	38	532105304	Cap, Sleeve
11	532130841	Rod, Brake	39	819111016	Washer 11/32 x 5/8 x 16 Ga.
12	532127356	Bracket, Lift R. H. Rear	40	532110452	Pushnut
13	872140505	Bolt, Carriage 5/16-18 x 5/8	41	532131264	V-Belt
14	873800500	Nut, Crownlock 5/16-18	42	819171616	Washer 11/32 x 5/8 16 Ga.
15	532127357	Bracket, Lift L. H. Rear	43	532124660	Retainer, Spring
16	532140093	Keeper, R. H.	44	532140608	Keeper, L. H.
17	532128508	Link, Asm. Mower Stabilizer	45	532110485	Bearing
18	532128511	Pin, Drive	46	532128774	Housing Mandrel Vented
19	532127380	Bracket, Asm. Front	47	532129895	Bearing
20	532140101	Blade, Mulching	48	532137645	Shaft, Mandrel (Includes Key # 47)
21	532140296	Washer, Hard	--	532130794	Mandrel Asm. (Includes Key No.'s 22-23, 26, 29 and 45-48)
22	810030600	Washer, Lock 3/8	--	532140979	Deck, Mower Complete
23	532850857	Bolt 3/8-24 x 1-1/4 Gr. 8	49	532133943	Washer Hardened
24	532140329	Stripper			
25	532138776	Bolt 5/16-18 x 1-1/4			
26	532129963	Washer .150 Thk.			

HARDWARE SHOWN LARGER FOR EASIER IDENTIFICATION

REPAIR PARTS

13 HP 36" TRACTOR - MODEL NO. HFLT130A, PRODUCT NO. 954 00 08-02

ELECTRICAL



REPAIR PARTS

13 HP 36" TRACTOR - MODEL NO. HFLT130A, PRODUCT NO. 954 00 08-02

ELECTRICAL

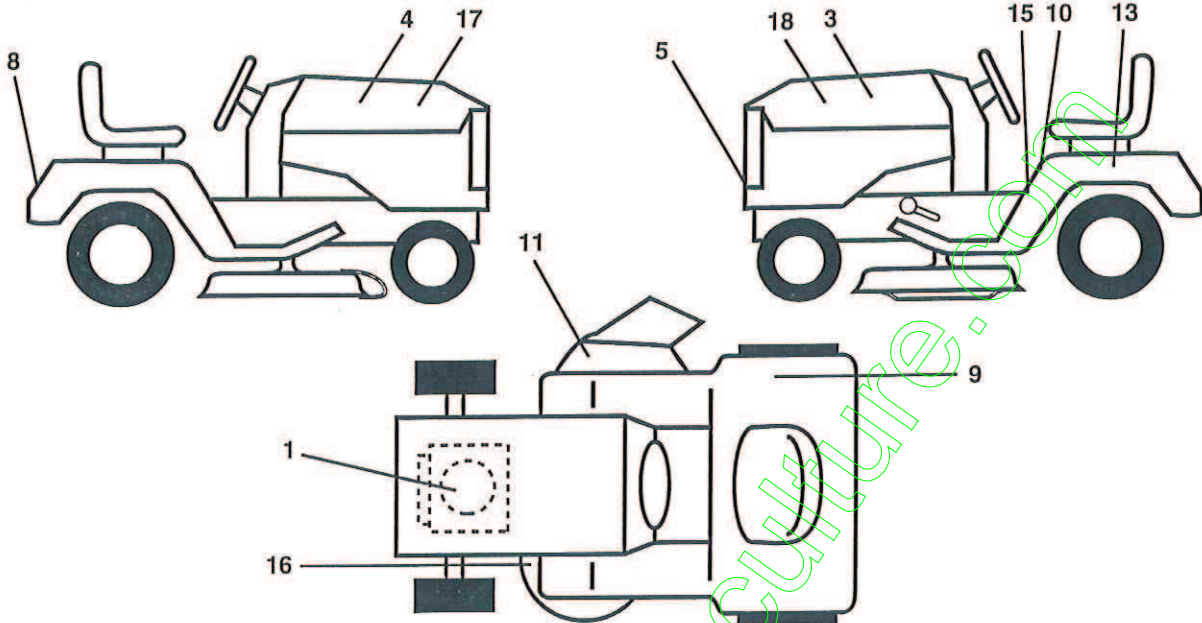
KEY NO.	PART NO.	DESCRIPTION	KEY NO.	PART NO.	DESCRIPTION
1	873510400	Nut, Hex Keps 1/4-20	22	874780408	Bolt, Fin. Hex 1/4-20 UNC x 1/2 Gr. 5
2	532108423	Assembly, Cable	24	532131563	Cover, Terminal
3	532133909	Battery	25	532138406	Solenoid
5	532108236	Bracket, Switch	26	874760412	Bolt, Hex Hd. 1/4-20 UNC x 3/4
6	532109553	Switch, Interlock (4-terminal)	27	819091016	Washer 9/32 x 5/8 x 16
7	532104445	Switch, Interlock (2-terminal)	28	810040400	Washer, Lock 1/4
8	817021008	Screw, Hex Hd. Tap #10-24 x 1/2	29	532121264	Cap, Battery
9	532140401	Key, Molded	30	873220400	Nut, Fin. Hex 1/4-20 UNC
10	532123620	Cover, Key Ignition	31	532004152	Bulb Light
11	532140400	Nut, Ignition	32	532131078	Harness Headlight
12	532140399	Switch, Ignition	33	532110712	Switch Light
15	532121305	Switch, Plunger	35	811050600	Washer Lock Ext. Tooth 3/8
16	873510500	Nut, Hex, Keps 5/16-18	36	811150400	Washer Lock Inter. Tooth 1/4
17	532108824	Fuse	38	532140660	Harness Adapter
18	532128353	Assembly, Cable	39	532141735	Bracket Switch Clutch
19	532140411	Harness, Ignition	70	532140413	Harness Engine
20	873350400	Nut, Hex Jam 1/4-20			
21	810090400	Washer, Lock 1/4			

NOTE: All component dimensions given in U.S. inches
1 inch = 25.4 mm

REPAIR PARTS

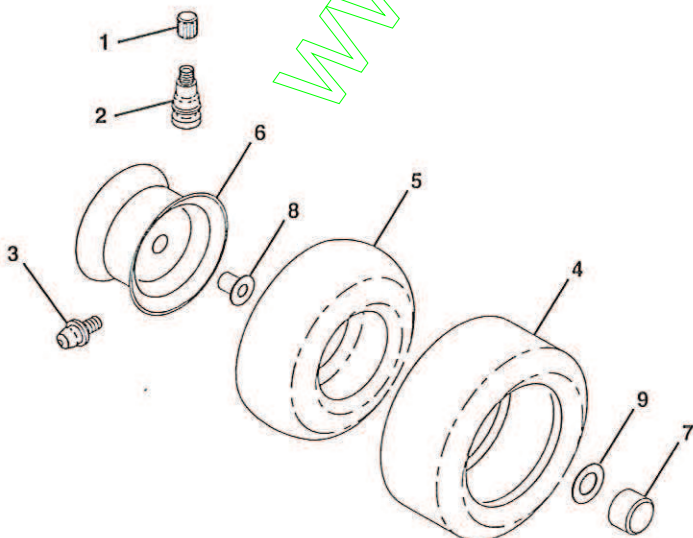
13 HP 36" TRACTOR - MODEL NO. HFLT130A, PRODUCT NO. 954 00 08-02

DECALS



KEY NO.	PART NO.	DESCRIPTION	KEY NO.	PART NO.	DESCRIPTION
1	532129057	Decal, HP, Engine	15	532138269	Decal, Inst. Oper. (English/French)
3	532140206	Decal, Hood, L. H.	16	532136830	Decal, V-Belt Schematic
4	532140205	Decal, Hood, R. H.	17	532142447	Decal, Hood RH
5	532140213	Decal, Logo, Grill	18	532142448	Decal, Hood LH
8	532131582	Decal, Logo, Fender	--	532142344	Manual, Operator's (French)
9	532125690	Decal, 100 DBA	Available accessories not included with tractor:		
10	532133795	Decal Caution Fender	--	CE36	Rear Bagger
11	532137259	Decal, Warning	--	MP36	Mulch Plate
13	532121549	Decal, Caution, Battery			

WHEELS & TIRES



KEY NO.	PART NO.	DESCRIPTION
1	532059192	Cap, Valve
2	532065139	Stem, Valve
3	532124957	Fitting, Grease (Front Wheels Only)
4	532137422	Tire, Front
4	532132703	Tire, Rear
5	532059904	Tube, Front (Optional Service Item Only)
5	532008134	Tube, Rear (Optional Service Items Only)
6	532140298	Rim, Front
6	532140453	Rim, Rear
7	532104757	Cap, Hub
8	532124959	Bearing Flange
9	532121748	Washer 25/32 x 1-5/8 x 16 Ga.