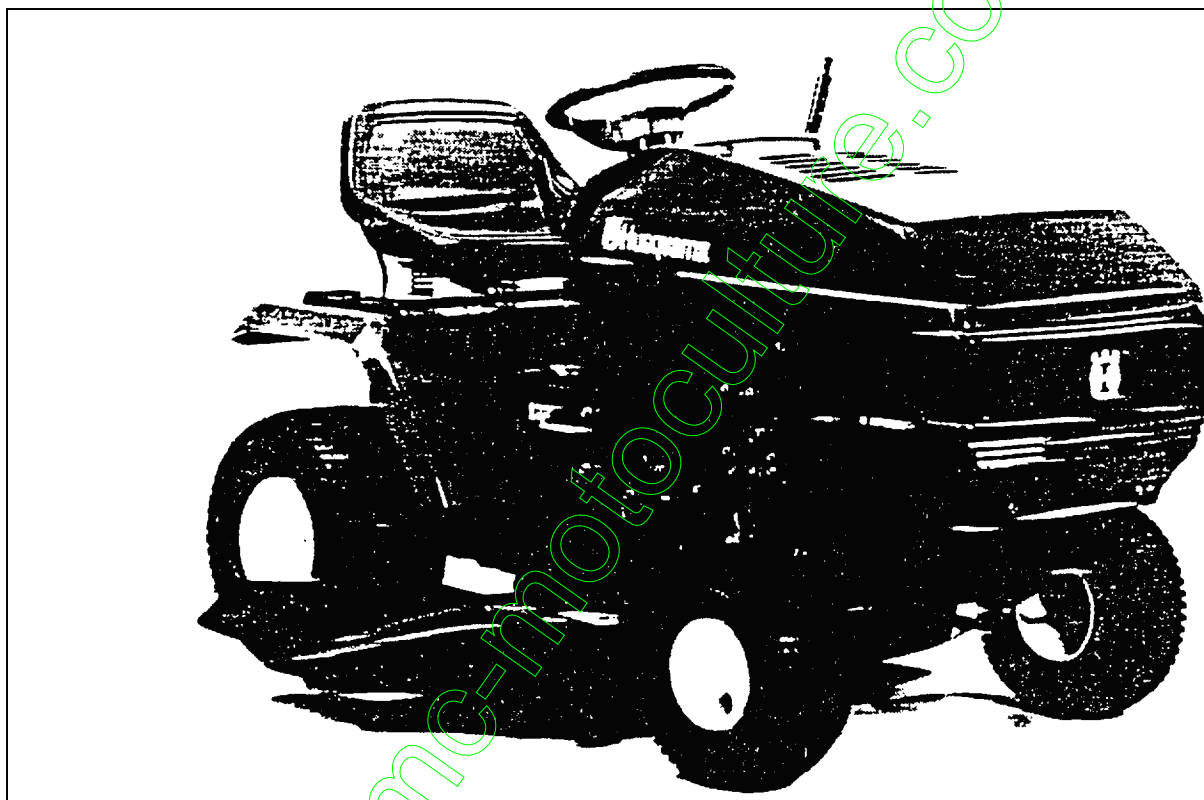




# LT 140



1. 1993

Spare parts

Ersatzteile

Pièces détachées

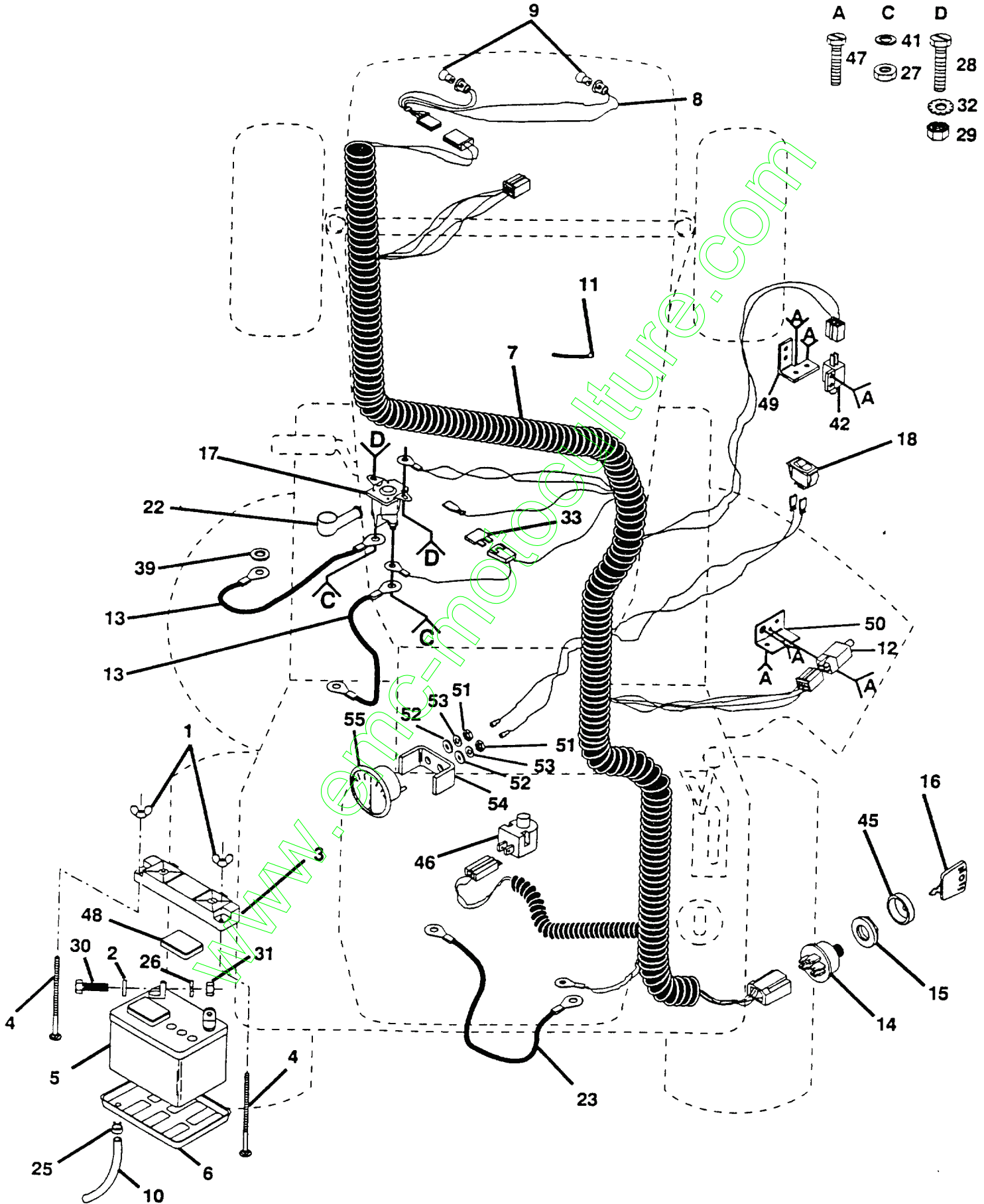
Reserve onderdelen

Repuestos

Reservdelar

# REPAIR PARTS

14 HP 42" TRACTOR—MODEL NO. LT140 (H1442A), PRODUCT NO. 954 00 05-52  
ELECTRICAL



# REPAIR PARTS

14 HP 42" TRACTOR—MODEL NO. LT140 (H1442A), PRODUCT NO.954 00 05-52

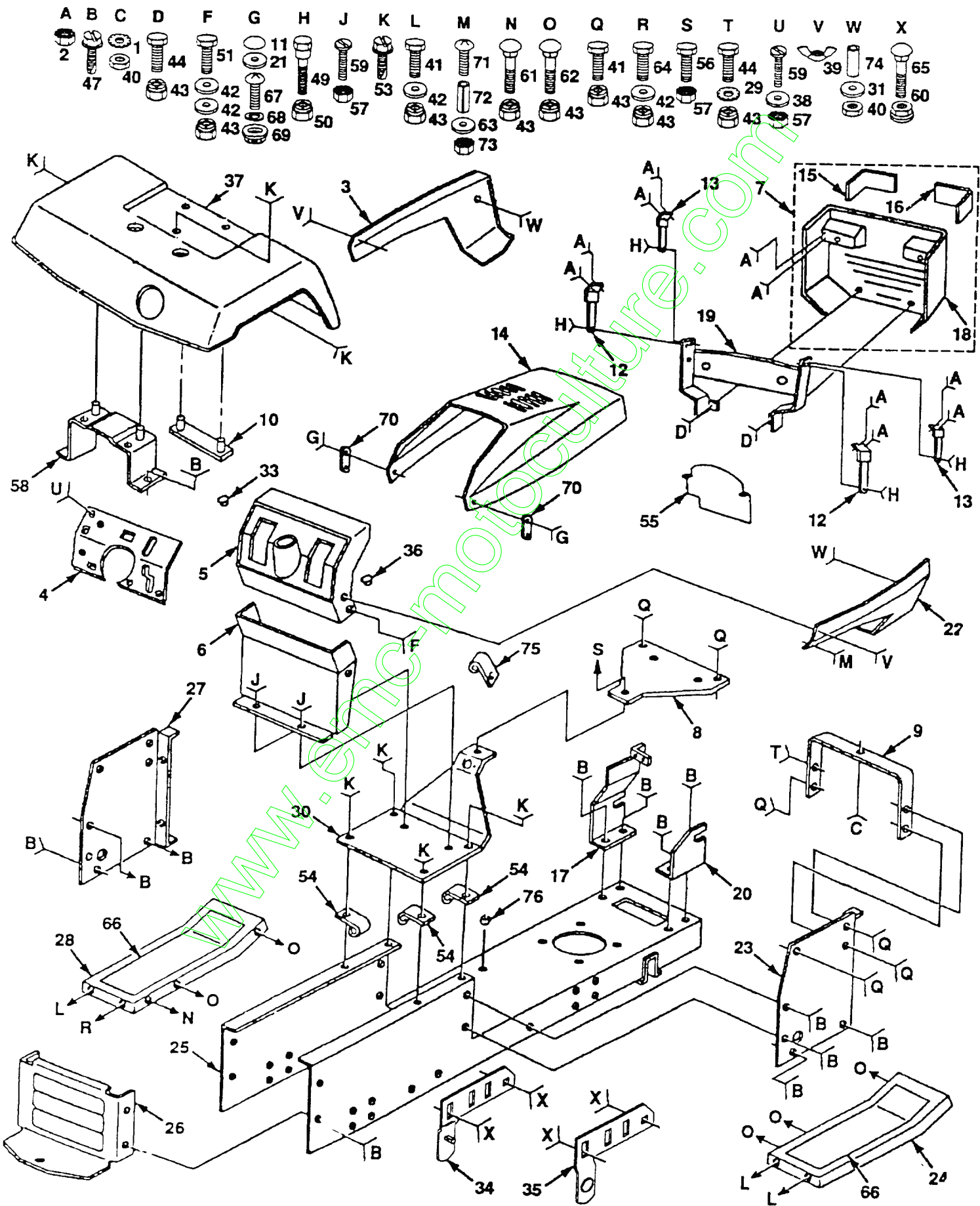
## ELECTRICAL

KEY PART NO.	NO.	DESCRIPTION
1	532 12 31-98	Nut, Wing 1/4-20
2	819 09 10-16	Washer 9/32 x 5/8 x 16 Gauge
3	532 10 24-76	Guard, Terminal
4	872 24 04-60	Bolt, Carriage 1/4-20 x 7-1/2
5	532 12 12-65	Battery
6	532 12 48-86	Tray, Battery
7	532 13 90-08	Harness, Ignition
8	532 13 68-50	Harness, Socket, Light
9	532 00 41-52	Bulb, Light
10	532 00 76-97	Tube, Tray, Battery
11	532 12 47-56	Cable Tie
12	532 10 95-53	Switch, Clutch, Attachment, Interlock
13	532 12 47-70	Cable, Battery
14	532 10 29-72	Switch, Ignition
15	532 12 42-11	Nut, Ignition
16	532 12 21-47	Key
17	532 13 84-06	Solenoid
18	532 11 07-12	Switch, Light
22	532 13 15-63	Cover, Terminal
23	532 12 47-73	Cable, Battery
25	532 10 95-96	Clamp, Hose
26	810 04 04-00	Washer, Lock, Heavy Helical 1/4
27	873 35 04-00	Nut, Hex, Jam 1/4-20 UNC
28	874 78 04-08	Bolt, Hex Head, Fin. 1/4-20 UNC x 1/2 Grade 5
29	873 51 04-00	Nut, Hex, Keps 1/4-20 UNC
30	874 76 04-12	Bolt, Hex Head 1/4-20 UNC x 3/4
31	873 22 04-00	Nut, Hex, Fin. 1/4-20 UNC
32	811 05 04-00	Washer, Lock, External Tooth 1/4
33	532 10 88-24	Fuse
39	811 15 04-00	Washer, Lock, Internal Tooth 1/4
41	810 09 04-00	Washer, Lock 1/4
42	532 10 44-45	Switch, Interlock, Clutch Pedal
45	532 12 36-20	Bezel, Ignition
46	532 12 13-05	Switch, Plunger
47	817 02 10-08	Screw, Hex Head, Self-Tapping #10-24 UNC x 1/2
48	532 12 12-64	Caps, Battery (Set)
49	532 10 82-36	Bracket, Switch, Interlock
50	532 13 08-90	Bracket, Switch
51	873 91 10-00	Nut
52	819 07 08-18	Washer 7/32 x 1/2 x 18 Gauge
53	810 10 10-00	Washer, Lock
54	532 13 17-08	Bracket, Ammeter
55	532 12 49-00	Ammeter Round 15 amp

**NOTE:** All component dimensions given in U.S. inches  
1 inch = 25.4 mm

# REPAIR PARTS

14 HP 42" TRACTOR—MODEL NO. LT140 (H1442A), PRODUCT NO.954 00 05-52  
CHASSIS AND ENCLOSURES



# REPAIR PARTS

14 HP 42" TRACTOR—MODEL NO. LT140 (H1442A), PRODUCT NO. 954 00 05-52

## CHASSIS AND ENCLOSURES

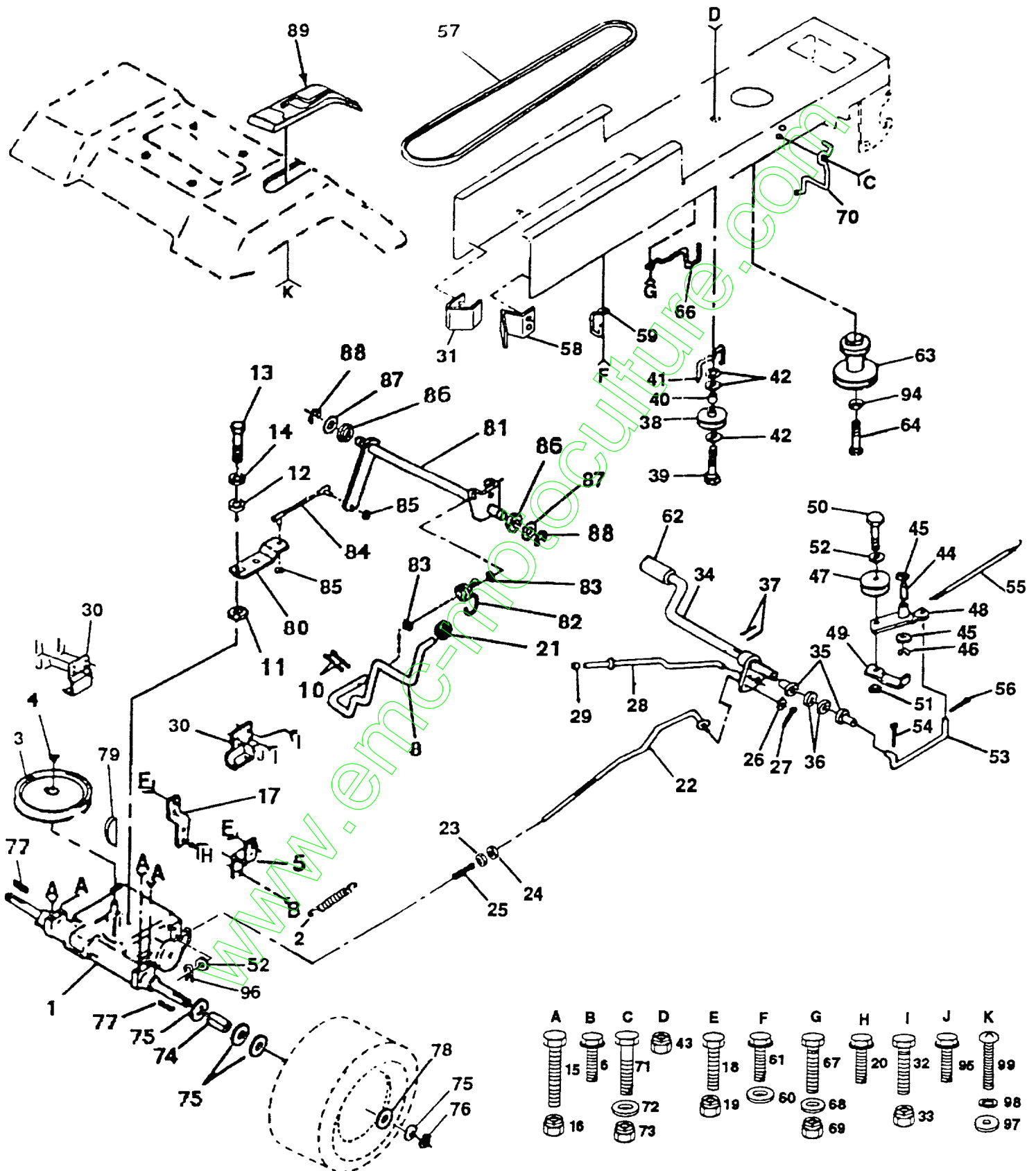
KEY PART NO.	NO.	DESCRIPTION	KEY PART NO.	NO.	DESCRIPTION
1	811 05 04-00	Washer, Lock, External Tooth 1/4	41	874 76 06-12	Bolt, Hex, Fin. 3/8-16 UNC x 3/4
2	873 51 04-00	Nut, Hex, Keps 1/4-20 UNC	42	819 13 13-12	Washer 13/32 x 13/16 x 12 Gauge
3	532 12 53-93	Side Panel, LH	43	873 68 06-00	Nut, Crownlock 3/8-16 UNC
4	532 12 54-55	Plate, Dash	44	874 76 06-16	Bolt, Hex, Fin. 3/8-16 UNC x 1
5	532 12 41-82	Dashboard	45	532 10 50-37	Strip, Foam
6	532 10 47-83	Dash, Lower	47	817 49 06-12	Screw, Thd., Roll. 3/8-16 x 3/4
7	532 12 73-21	Grill Assembly	49	532 12 34-81	Bolt, Shoulder 1/4-20 UNC
8	532 13 76-54	Plate, Battery Support	50	873 68 04-00	Nut, Crownlock 1/4-20 UNC
9	532 12 41-30	Support, Dash	51	874 76 06-20	Bolt, Hex, Fin. 3/8-16 UNC x 1-1/4
10	532 10 55-11	Strap, Fender	53	817 49 06-08	Screw, Thd., Roll. 3/8-16 x 1/2
11	532 11 03-56	Cap, Black	54	532 12 64-71	Clip, Insulator
12	532 10 67-84	Strap Assembly, Hinge, Rear	55	532 12 64-23	Baffle, Vertical
13	532 10 46-18	Strap Assembly, Hinge, Front	56	874 78 05-12	Bolt, Hex, Fin. 5/16-18 UNC x 3/4
14	532 12 54-54	Hood	57	873 51 05-00	Nut, Hex, Keps 5/16-18 UNC
15	532 12 42-50	Lens, Headlight, LH, Smoked	58	532 13 71-13	Bracket Fender
16	532 12 42-51	Lens, Headlight, RH, Smoked	59	874 18 05-12	Screw, Machine 5/16-18 UNC x 3/4
17	532 11 08-53	Pivot Bracket Assembly, LH	60	873 80 06-00	Locknut, Hex, with Washer Insert 3/8-16 UNC
18	532 12 73-24	Grille	61	872 14 06-08	Bolt, Carriage 3/8-16 UNC x 1
19	532 12 60-25	Support Assembly, Grille	62	872 11 06-06	Bolt, Carriage 3/8-16 x 3/4
20	532 11 08-52	Pivot Bracket Assembly, RH	63	819 07 08-18	Washer 7/32 x 1/2 x 18 Gauge
21	532 11 03-57	Washer, Cap	64	874 76 06-14	Bolt, Hex, Fin. 3/8-16 UNC x 7/8
22	532 13 88-86	Side Panel, RH	65	872 14 06-08	Bolt, Carriage 3/8-16 UNC x 1
23	532 13 20-69	Dash Panel, RH	66	532 10 82-56	Pad, Footrest
24	532 12 49-14	Footrest, RH	67	874 19 10-08	Screw, Machine, Cross Pan Head #10-24 x 1/2
25	532 13 50-34	Chassis	68	810 07 10-00	Washer, Lock #10
26	532 13 72-75	Drawbar	69	532 12 50-04	Nut, Weld
27	532 13 72-07	Dash Panel, LH	70	532 10 98-08	Latch, Chute
28	532 12 48-99	Footrest, LH	71	874 98 10-20	Screw, Machine, Cross Pan Head #10-24 x 1-1/4
29	811 05 06-00	Washer, Lock, External Tooth 3/8	72	532 00 72-06	Spacer, Split #10 x 3/4
30	532 13 88-84	Saddle	73	873 73 10-00	Nut, Hex, Keps #10-24 UNC
31	819 09 12-16	Washer 9/32 x 3/4 x 16 Gauge	74	532 00 12-60	Spacer 17/64 x 1/2 x 3/8
33	532 00 54-79	Plug, Button	75	532 12 49-96	Clip, Fuel Line
34	532 13 47-74	Pivot Bracket Assembly, Rear, LH	76	532 11 04-36	Bushing, Snap Split
35	532 13 47-75	Pivot Bracket Assembly, Rear, RH			
36	532 13 40-14	Plug, Dome, Black			
37	532 12 49-29	Fender			
38	819 11 11-16	Washer 11/32 x 11/16 x 16 Gauge			
39	532 12 31-98	Wing Nut, Plastic 1/4-20			
40	873 22 04-00	Nut, Hex, Fin. 1/4-20 UNC			

**NOTE:** All component dimensions given in U.S. inches  
1 inch = 25.4 mm

# REPAIR PARTS

14 HP 42" TRACTOR—MODEL NO. LT140 (H1442A), PRODUCT NO. 954 00 05-52

DRIVE



# REPAIR PARTS

14 HP 42" TRACTOR—MODEL NO. LT140 (H1442A), PRODUCT NO. 954 00 05-52

DRIVE

KEY PART  
NO. NO.

DESCRIPTION

1	-----			Transaxle 6sp 930 Peerless LT Model # 930-010
2	532	11	04-22	Spring Return Brake T/a Zinc
3	532	12	36-66	Pulley Transaxle 18"tires
4	812	00	00-28	Ring Retainer # 5100-62
5	532	12	15-20	Strap Torque 30 Degrees
6	817	49	05-12	Screw Thdrol 5/16-18 X 3/4 TYT
8	532	12	72-88	Rod Shifter
10	876	02	04-16	Pin Cotter 1/8 X 1 Cad
11	532	10	57-01	Washer Plate Shf 388 Sq Hole
12	819	09	12-10	Washer 9/32 X 3/4 X 10 Ga
13	871	04	04-12	Bolt Fin Hex 1/4-28unfx3/4 Gr8
14	810	04	04-00	Washer Lock Hvy Helical 1/4
15	874	76	05-36	Bolt Fin Hex 5/16-18uncx 2 1/4
16	873	68	05-00	Nut Crown Lock 5/16-18
17	532	12	72-85	Strap Torque LT
18	874	76	06-12	Bolt Fin Hex 3/8-16unc X 3/4
19	873	68	06-00	Nut Crownlock 3/8-16 Unc
20	817	49	05-12	Screw Thdrol 5/16-18 X 3/4 TYT
21	532	12	12-74	Knob Duckhead 1/2-13unc Blk
22	532	13	08-04	Rod Brake Blk Zinc 27 326
23	873	80	06-00	Nut Lock Hex W/wsh 3/8-16unc
24	873	35	06-00	Nut Hex Jam 3/8-16 Unc
25	532	10	68-88	Spring Rod Brake 2 00 Zinc
26	819	13	13-16	Washer 13/32 X 13/16 X 16 Ga
27	876	02	04-12	Pin Cotter 1/8 X 3/4 Cad
28	532	13	32-61	Rod Brake Parking 14 500
29	532	07	16-73	Cap Brake Parking Black
30	532	13	08-07	Bracket Mtg Transaxle
31	532	12	72-75	Keeper Belt LH LT 14 Ga
32	874	76	05-12	Bolt Hex Hd 5/16-18unc X 3/4
33	873	68	05-00	Nut Crown Lock 5/16-18
34	532	12	24-24	Shaft Asm Pedal Foot 1 930
35	532	12	01-83	Bearing Nylon Blk 629 Id
36	819	21	16-16	Washer 21/32 X 1 X 16 Ga
37	532	12	49-63	Pin Roll 3/16 X 1"
38	532	12	36-74	Pulley Idler Flat
39	874	76	06-44	Bolt Fin Hex 3/8-16unc X 2-3/4
40	532	12	49-65	Spacer Split 395 X 59 Bzp
41	532	10	90-70	Keeper Belt Retainer
42	819	13	13-12	Washer 13/32 X 13/16 X 12 Ga
43	873	68	06-00	Nut Crownlock 3/8-16 Unc
44	532	10	57-06	Bearing Nyl 503 X 628 X 1 25
45	532	11	08-12	Washer Hardened
46	812	00	00-39	Ring Klip #5304-50
47	532	12	77-83	Pulley Idler V Groove Plastic
48	532	12	37-89	Bellcrank Asm Clutch
49	532	12	32-05	Retainer Belt Style Spring

KEY PART  
NO. NO.

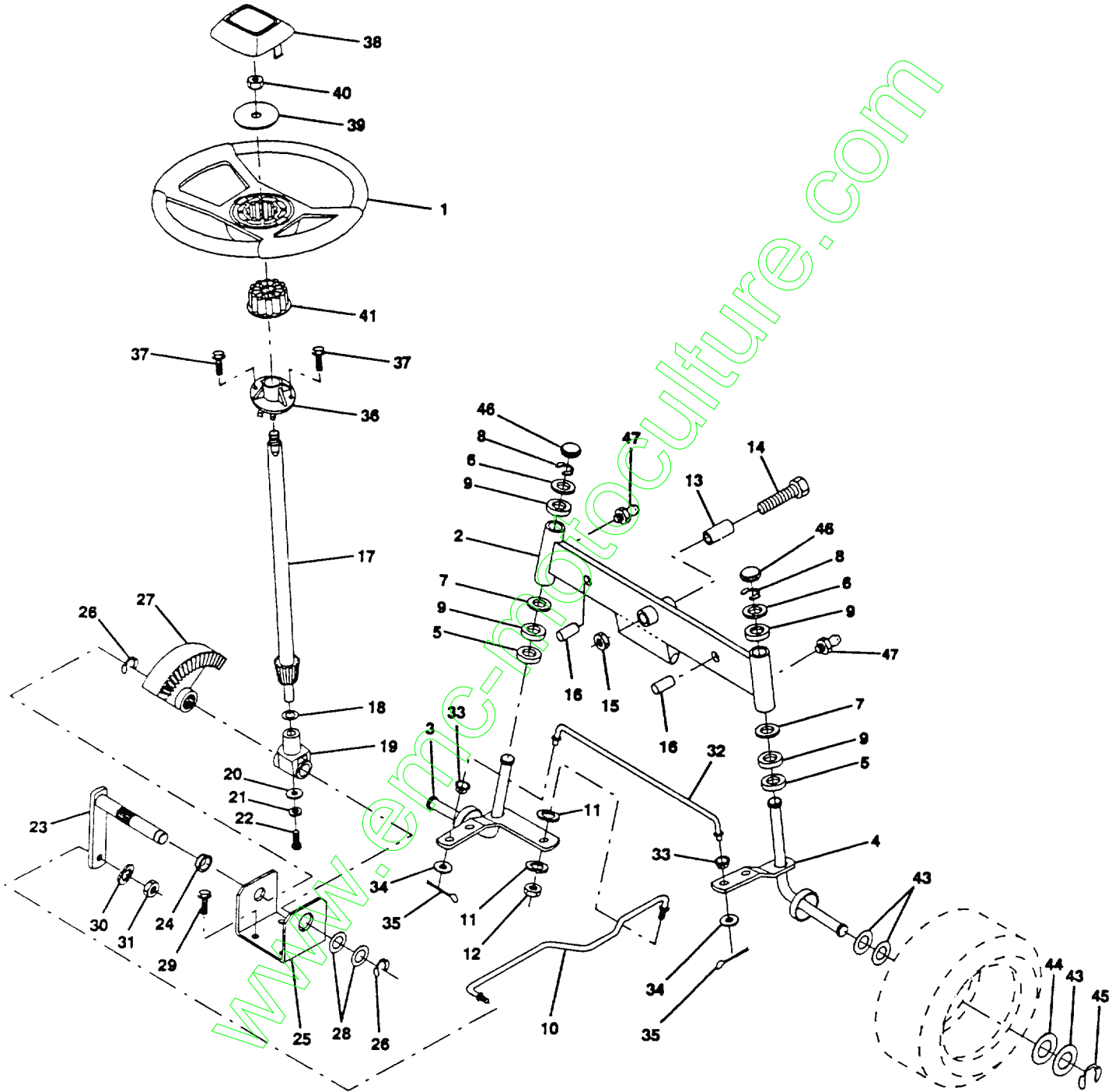
DESCRIPTION

50	874	76	06-24	Bolt Hex Hd 3/8-16unc X 1-1/2
51	873	68	06-00	Nut Crownlock 3/8-16 Unc
52	819	13	13-16	Washer 13/32 X 13/16 X 16 Ga
53	532	10	57-10	Link Clutch 7 66
54	876	02	04-12	Pin Cotter 1/8 X 3/4 Cad
55	532	10	57-09	Spring Return Clutch 6 75
56	876	02	04-12	Pin Cotter 1/8 X 3/4 Cad
57	532	13	82-55	V-Belt Ground Drive 95 25 42"
58	532	12	72-74	Keeper Belt RH LT Pnt/zinc 16g
59	532	13	67-15	Keeper Belt Chassis Span Ctr
60	819	13	13-12	Washer 13/32 X 13/16 X 12 Ga
61	817	49	06-12	Screw Thdrol 3/8-16x3/4 Ty-tt
62	532	12	35-33	Cover Pedal Premuim
63	532	13	48-25	Engine Pulley LT/YT
64	532	13	88-85	Bolt, Hex
66	532	12	99-21	Keeper Belt Engine LH LT
67	874	76	06-16	Bolt Fin Hex 3/8-16unc X 1
68	819	13	13-12	Washer 13/32 X 13/16 X 12 Ga
69	873	68	06-00	Nut Crownlock 3/8-16 Unc
70	532	13	46-83	Guide Belt Mower Drive RH
71	874	76	06-16	Bolt Fin Hex 3/8-16unc X 1
72	819	13	20-12	Washer 13/32 X 1-1/4 X 12 Ga
73	873	68	06-00	Nut Crownlock 3/8-16 Unc
74	532	13	70-57	Spacer Axle
75	532	12	17-49	Washer 25/32 X 1 1/4 X 16 Ga
76	812	00	00-01	E-ring #5133-75
77	532	12	35-83	Key Square 2 0 X 1845/ 1865
78	532	12	17-48	Washer 25/32 X 1-5/8 X 16 Ga
79	532	12	50-96	Key, Woodruff
80	532	13	14-86	Arm Shift Transaxle
81	532	13	69-32	Shaft Asm Cross 18"t 42"deck
82	532	12	37-82	Spring Torsion T/a
83	819	17	12-16	Washer 17/32 X 3/4 X 16 Ga
84	532	12	37-93	Rod Link Shift Adj 3 710
85	873	53	04-00	Nut Nylock 1/4-28
86	532	07	12-08	Bushing Rod Strg 629/632 Id
87	819	21	20-16	Washer 21/32 X 1-1/4 X 16 Ga
88	812	00	00-08	Ring Klip #5304-62
89	532	13	16-36	Console Shift 6sp W/ign LT
94	810	04	07-00	Washer Lock Hvy Hlcl Spr 7/16
95	817	49	06-12	Screw Thdrol 3/8-16 x 3/4
96	532	12	47-88	Retainer Spring
97	819	06	07-18	Washer 3/16 X 7/16 X 18 Ga
98	810	10	08-00	Washer Lock #8
99	874	64	08-08	Screw #8x1/2

NOTE: All component dimensions given in U.S. inches  
1 inch = 25.4 mm

# REPAIR PARTS

14 HP 42" TRACTOR—MODEL NO. LT140 (H1442A), PRODUCT NO. 954 00 05-52  
STEERING ASSEMBLY





# REPAIR PARTS

14 HP 42" TRACTOR—MODEL NO. LT140 (H1442A), PRODUCT NO.954 00 05-52

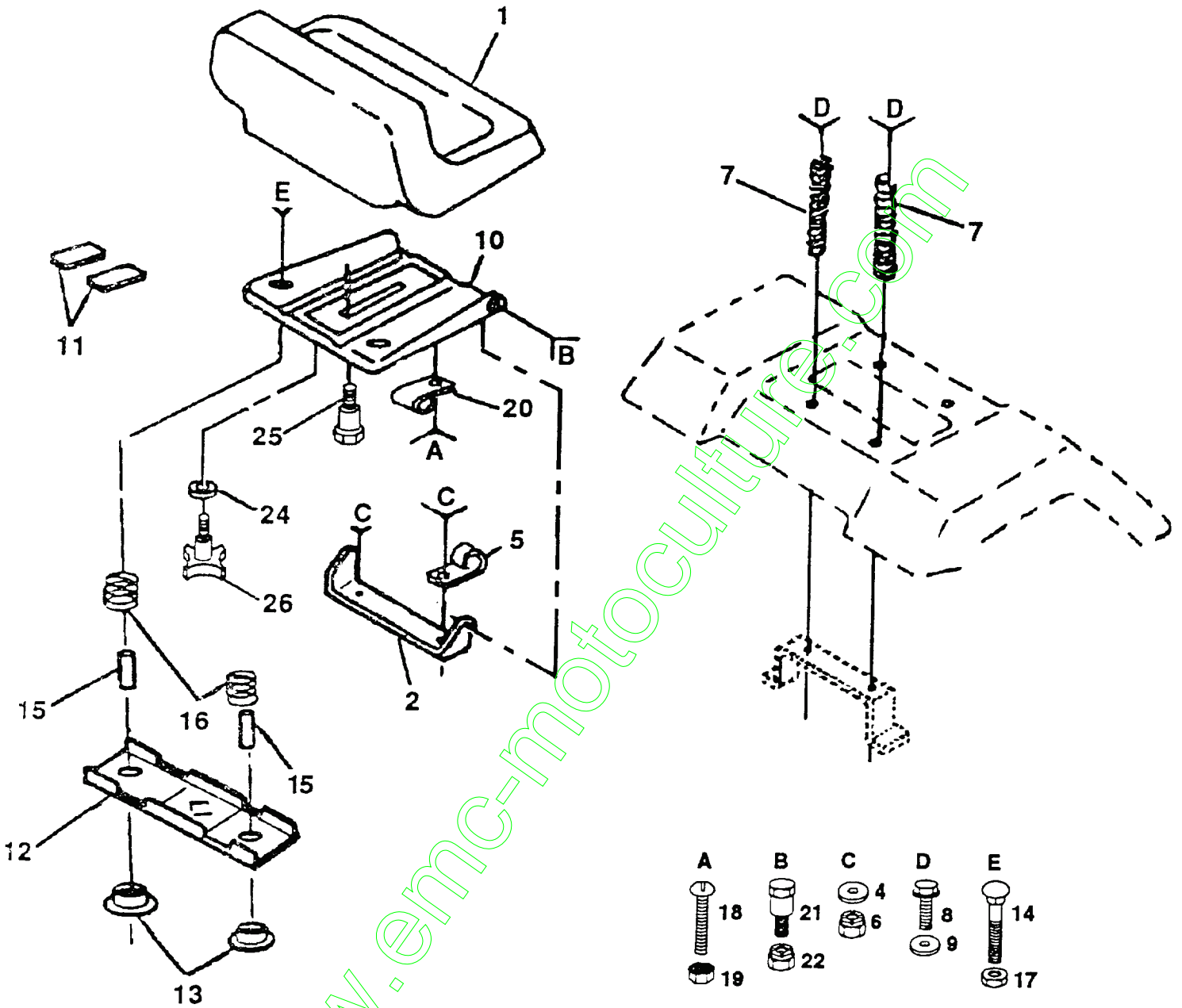
## STEERING ASSEMBLY

KEY PART NO.	NO.	DESCRIPTION
1	532 12 44-15	Wheel Steering Auto Grey
2	532 13 39-88	Axle Asm Fr LT W/gzks 38/42
3	532 13 52-27	Spindle Asm LH
4	532 13 52-28	Spindle Asm RH
5	532 12 49-31	Bearing Race Thrust Harden
6	532 12 17-48	Washer 25/32 X 1-5/8 X 16 Ga
7	819 27 20-16	Washer 27/32 X 1-1/4 X 16 Ga
8	812 00 00-29	Ring Klip #t5304-75
9	532 12 49-37	Bearing Col Strg Blk
10	532 13 04-68	Link Drag Sol Ball Jt 20 064
11	810 04 06-00	Washer Lock Hvy Hlcl Spr 3/8
12	873 61 06-00	Nut Fin Hex 3/8-24 Unf
13	532 11 04-38	Spacer Bearing Axle Front
14	874 01 10-56	Bolt Hex 5/8-11 Unc X 3-1/2
15	873 90 10-00	Nut Lock Flange 5/8-11 Unc
16	532 13 26-24	Pin Axle 5/8 X 1 55/1 54 Lg
17	532 12 87-58	Shaft Asm Strg 18 31x3/4 Yp LT
18	532 05 70-79	Washer Thrust 515x 750x 033
19	532 12 40-35	Support Shaft
20	532 12 66-84	Washer Shim 1/4 X 5/8 X 062
21	810 04 04-00	Washer Lock Hvy Helical 1/4
22	871 07 04-10	Screw Hex Socket 1/4-20 X 5/8
23	532 12 75-01	Shaft Asm Pittman
24	532 10 98-16	Nyliner Snap In
25	532 12 40-36	Bracket Steering
26	812 00 00-29	Ring Klip #t5304-75
27	532 13 68-74	Gear Sector
28	532 12 49-31	Bearing Race Thrust Harden
29	817 49 06-12	Screw Thdrol 3/8-16x3/4 Ty-tt
30	810 04 06-00	Washer Lock Hvy Hlcl Spr 3/8
31	873 61 06-00	Nut Fin Hex 3/8-24 Unf
32	532 13 04-65	Rod Tie Wire Form 19 75 Mech
33	532 12 68-47	Bushing Link Drag Blk LR
34	819 13 14-16	Washer 13/32 X 7/8 X 16 Ga
35	876 02 04-12	Pin Cotter 1/8 X 3/4 Cad
36	532 12 47-20	Bushing Strg Blk 742/747 Id
37	817 43 10-08	Screw Slftp #10-16 X 1/2 Ty-b
38	532 12 44-16	Insert Cap Strg Wh Aut Hus Gry
39	532 10 07-12	Washer 53 X 2 25 X 160 Zinc
40	873 94 08-00	Nut Hex Jam Toplock 1/2-20 Unf
41	532 10 07-11	Adapter Wheel Strg 758/ 753id
43	532 12 17-49	Washer 25/32 X 1 1/4 X 16 Ga
44	532 12 17-48	Washer 25/32 X 1-5/8 X 16 Ga
45	812 00 00-29	Ring Klip #t5304-75
46	532 12 12-32	Cap Spindle Fr Top Blk
47	532 12 48-36	Fitting Grease

**NOTE:** All component dimensions given in U.S. inches  
1 inch = 25.4 mm

# REPAIR PARTS

14 HP 42" TRACTOR—MODEL NO. LT140 (H1442A), PRODUCT NO.954 00 05-52  
SEAT ASSEMBLY



## KEY PART NO. NO.

## DESCRIPTION

1	532 12 41-85	Seat V-450 Gry/blk Std
2	532 12 66-56	Bracket Pivot Seat 8 720
4	819 13 12-10	Washer 13/32 X 3/4 X 10 Ga
5	532 12 49-96	Clip Line Fuel 13/32 Mtg Hole
6	873 68 06-00	Nut Crownlock 3/8-16 Unc
7	532 12 41-81	Spring Seat Cprsn 2 250 Blk Zi
8	817 49 05-08	Screw Hwsh Thdrol 5/16-18 x 1/2
9	819 13 16-14	Washer 13/32 X 1 X 14 Ga
10	532 13 14-51	Pan Seat
11	532 12 12-51	Strip Foam Gray Or Black
12	532 12 12-46	Bracket Mounting Switch
13	532 12 12-48	Bushing Snap Blk Nyi 50 Id
14	872 05 04-11	Bolt Rdhd Sht Nk 1/4-20x1-3/8
15	532 13 43-00	Spacer Split 28x 96 Yel Zinc

## KEY PART NO. NO.

## DESCRIPTION

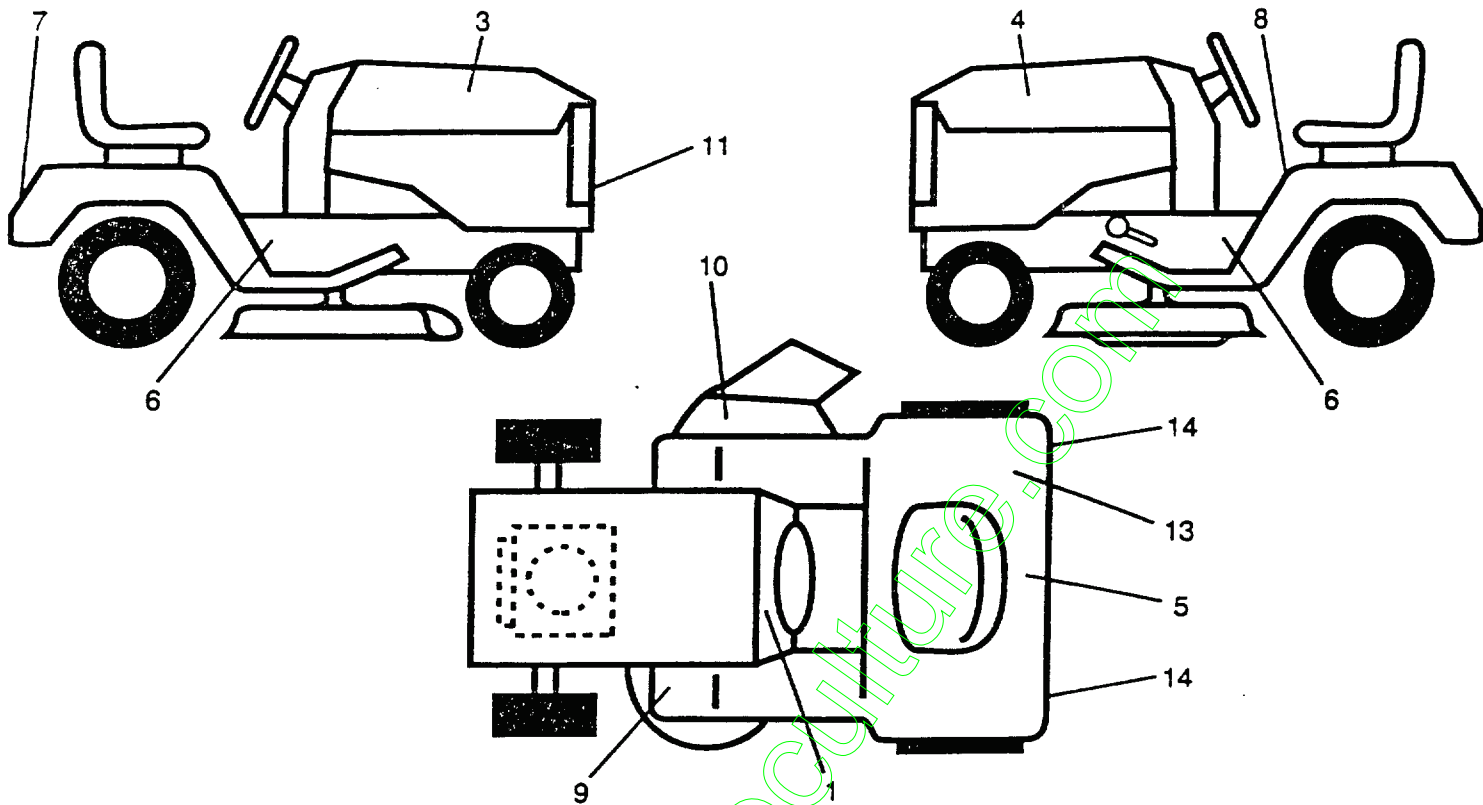
16	532 12 12-50	Spring Cprsn 1 27 Blk Pnt
17	532 12 39-76	Nut Lock 1/4 Lge Flg Gr 5 Zinc
18	874 64 10-08	Screw SLTD Pan Hd #10-32 X 1/2
19	873 95 10-00	Nut Keps #10-32 Unf
20	532 12 49-67	Clip Insulated 11/32 Mtg Hole
21	532 10 55-29	Bolt Shoulder 5/16-18 Unc Blkz
22	873 68 05-00	Nut Crown Lock 5/16-18
24	819 17 19-12	Washer 17/32 X 1-3/16 X 12 Ga
25	532 12 70-18	Bolt Shoulder 5/16-18 X 62
26	532 12 00-68	Knob Seat 1/2-13unc Blk
27	873 68 06-00	Nut, Crownlock 3/8-16 Unc

**NOTE:** All component dimensions given in U.S. inches  
1 inch = 25.4 mm

# REPAIR PARTS

14 HP 42" TRACTOR—MODEL NO. LT140 (H1442A), PRODUCT NO. 954 00 05-52

## DECALS



### KEY PART NO. NO.

### DESCRIPTION

1	532 13 67-95	Decal Instruction Dash Eng/fr
3	532 13 89-37	Decal Hood RH Husq LT140
4	532 13 89-38	Decal Hood LH Husq LT140
5	532 12 15-49	Decal Caution Battery Fr/ger
6	532 12 59-46	Decal Chassis Lawn Tractor
7	532 13 15-82	Decal Fender Husqvarna
8	532 13 37-95	Decal Caution Fender Eng/fr
9	532 10 18-92	Decal Clutch/brake Eng/fr
10	532 13 72-59	Decal Warning MULT-LANGUAGE
11	532 12 59-89	Decal Grille Husqvarna "h" logo

### KEY PART NO. NO.

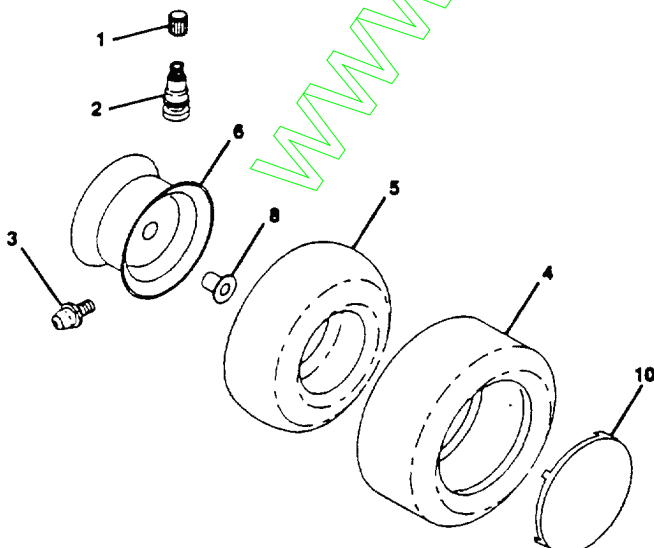
### DESCRIPTION

13	532 12 56-90	Decal 100 Db
14	532 10 62-02	Reflector Tail Light Red/amber
-	532 13 83-11	Decal Lift Handle(Lift Handle)
-	532 13 89-50	Manual Owners H1442a English
-	532 13 89-51	Manual Owners H1442a French

Available accessories not included with tractor:

-	BD20	42" Snow blade
-	GWN42	Guage Wheels for 42" Vent Deck
-	LAO18	Tire Chains
-	LC05	33 lb. Weights (pairs)
-	SB20	40" Snow Thrower
-	CE42	42" Bagger

## WHEELS & TIRES



### KEY PART NO. NO.

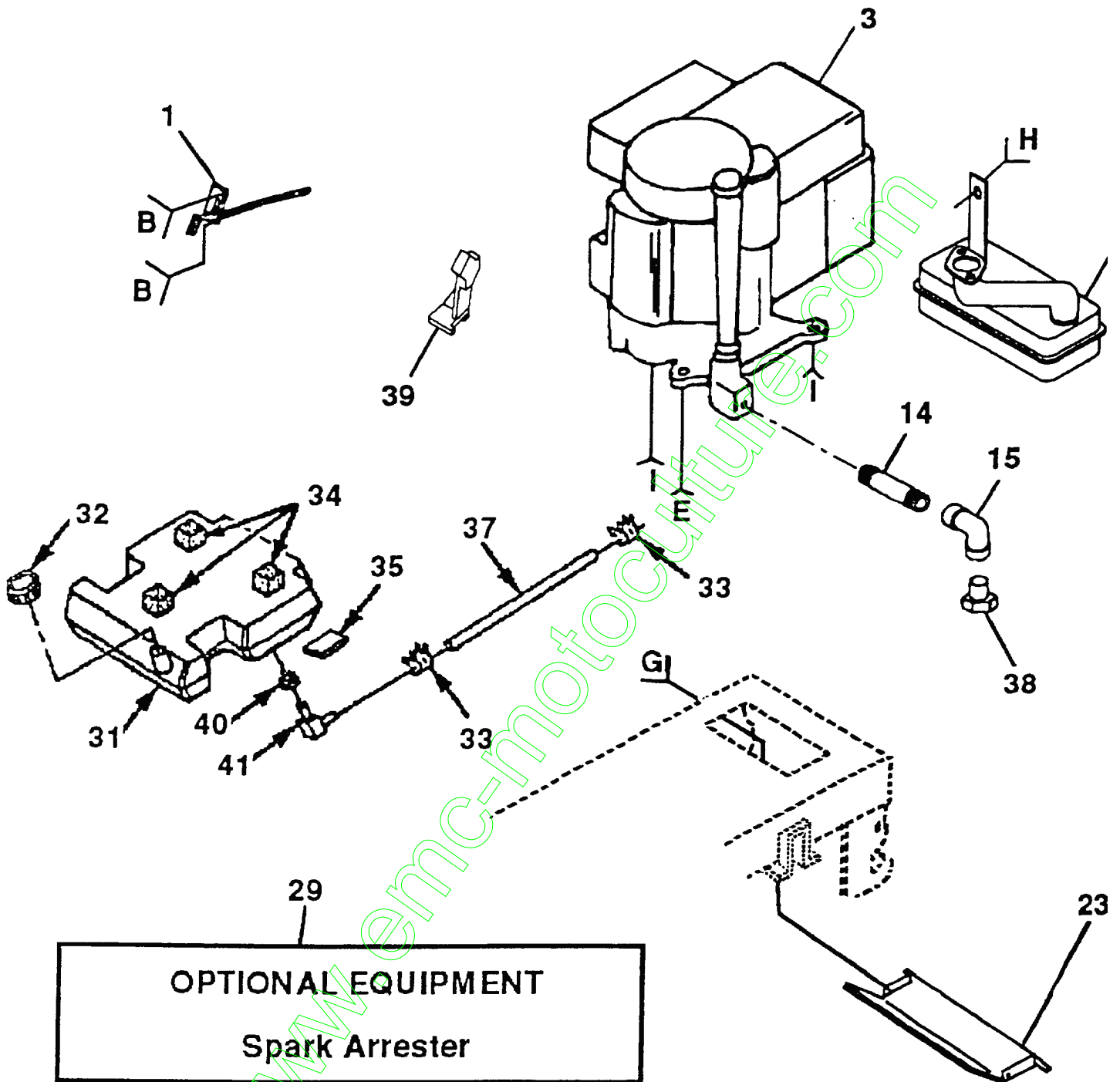
### DESCRIPTION

1	532 05 91-92	Cap Valve Tire
2	532 06 51-33	Stem Valve
3	532 12 49-57	Fitting Grease (Front Wheel Only)
4	532 10 62-22	Tire F Ts 15 X 6 0 - 6 Service
	532 10 62-68	Tire R Ts 18x9 5-8 C Service
5	532 05 99-04	Tube Front (Service Item Only)
	532 12 49-26	Tube Rear (Service Item Only)
6	532 12 49-99	Rim Asm 8"rear White Service
	532 12 51-02	Rim Asm 6" front White Service
8	532 12 49-59	Bearing Flange (Front Wheel Only)
10	532 12 45-77	Cover Wheel 6"white
	532 12 45-78	Cover Wheel 8"white

NOTE: All component dimensions given in U.S. inches  
1 inch = 25.4 mm

# REPAIR PARTS

14 HP 42" TRACTOR—MODEL NO. LT140 (H1442A), PRODUCT NO.954 00 05-52  
ENGINE



# REPAIR PARTS

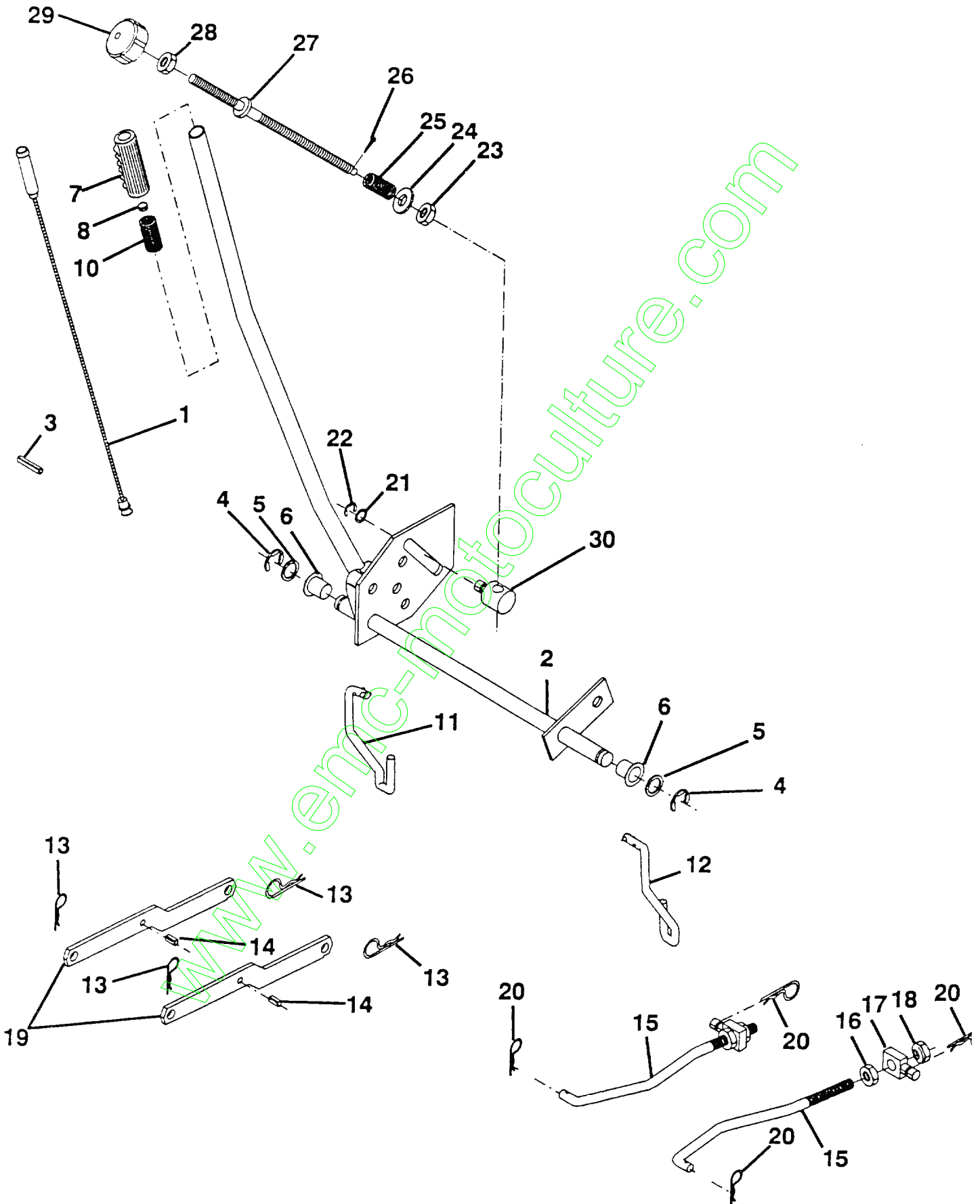
14 HP 42" TRACTOR—MODEL NO. LT140 (H1442A), PRODUCT NO.954 00 05-52  
ENGINE

KEY PART NO.	NO.	DESCRIPTION
1	532 13 27-50	Control Th/ch RH Blk Fig 35 85
2	817 72 04-10	Screw Hex Thd Cut 1/4-20x5/8 T
3	-----	Engine Kohler, Model No. PS1453
11	810 04 05-00	Washer Lock Hvy H/cd Spr 5/16
12	874 76 05-08	Bolt, Fin Hex 5/16-18 x 1/2
13	532 13 73-50	Muffler LT Kohler
14	813 28 03-28	Nipple Pipe 3/8 Npt X 3-1/2"
15	813 20 03-00	Elbow Std 90 Degree 3/8-18 Npt
16	811 05 06-00	Washer Lock Ext Tooth 3/8
17	532 12 53-98	Bolt, Hex
23	532 12 89-53	Shield Heat Browning LT/YT
24	817 02 10-08	Screw Tap Hex #10-24unc X 1/2
29	532 13 71-80	Kit Spark Arrestor (Flat Scrn)
31	532 12 73-34	Tank Fuel 3 50 Rear
32	532 12 35-49	Cap Asm Fuel W/sym Vented
33	532 12 34-87	Clamp Hose Blk
34	532 10 60-82	Pad, Spacer
35	532 10 92-27	Pad, Idler
37	532 00 85-43	Line Fuel 54"
38	-----	Plug Oil Drain (Order From Engine Manufacturer)
39	532 13 55-02	Stop Throt 2650 Rpm
40	532 12 43-52	Bushing
41	532 13 92-27	Stem Tank Fuel

**NOTE:** All component dimensions given in U.S. inches.  
1 inch = 25.4 mm

# REPAIR PARTS

14 HP 42" TRACTOR—MODEL NO. LT140 (H1442A), PRODUCT NO.954 00 05-52  
MOWER LIFT ASSEMBLY



# REPAIR PARTS

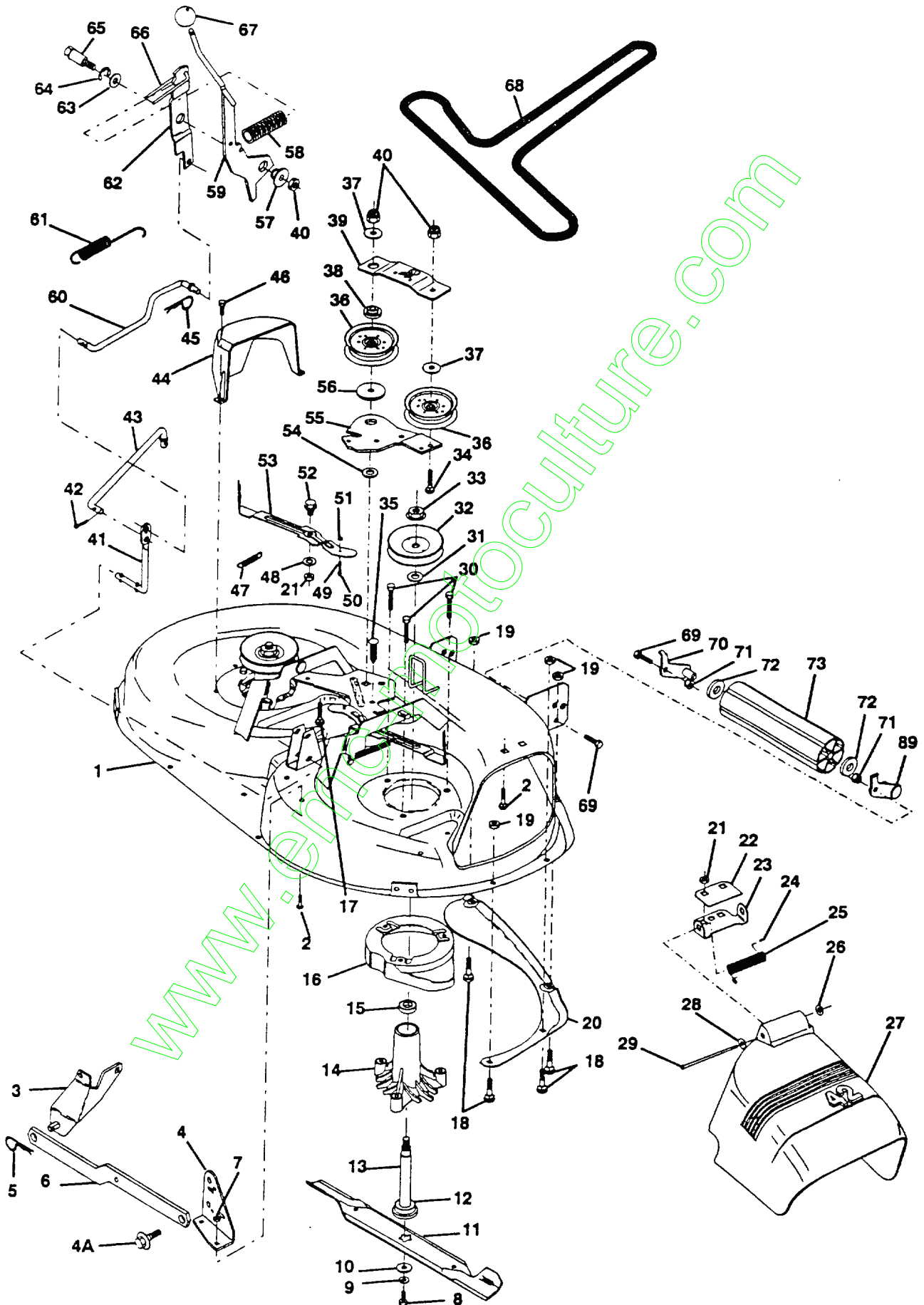
14 HP 42" TRACTOR—MODEL NO. LT140 (H1442A), PRODUCT NO. 954 00 05-52  
MOWER LIFT ASSEMBLY

KEY PART NO.	NO.	DESCRIPTION
1	532 13 69-73	Wire Asm Inner W/plunger 17 32
2	532 13 71-11	Shaft Asm Lift 93 LH Lift
3	532 13 82-84	Pin Groove 1 500 Zinc
4	812 00 00-02	E Ring #5133-62
5	819 21 14-16	Washer 21/32 X 7/8 X 16 Ga
6	532 12 01-83	Bearing Nylon Blk 629 Id
7	532 12 56-31	Grip Handle Fluted Blk
8	532 12 45-26	Button Plunger Black
10	532 12 25-12	Spring Cprsn 3 750 Oiled
11	532 13 46-19	Link Lift LH Fixed Length
12	532 13 53-88	Link Lift RH Fixed Length
13	532 12 46-70	Retainer Spring
14	532 13 55-63	Pin Roll SLT 5/16 X 1 25 Blk O
15	532 12 72-18	Link Front
16	873 35 08-00	Nut Jam Hex 1/2-13 Unc
17	532 13 01-71	Trunnion Blk Zinc
18	873 80 08-00	Nut Lock W/wsh 1/2-13unc
19	532 13 08-32	Arm Suspension Rear
20	532 12 46-60	Retainer Spring
21	819 15 12-16	Washer 15/32 X 3/4 X 16 Ga
22	812 00 00-37	Ring Klip #t5304-37
23	532 11 08-07	Nut Special
24	819 13 10-16	Washer 13/32 X 5/8 X 16 Ga
25	532 12 48-74	Spring 2-1/8"
26	876 02 03-08	Pin Cotter 3/32 X 1/2
27	532 11 07-29	Rod Adj Lift Zinc 9 00 Wrk Lg
28	873 35 06-00	Nut Hex Jam 3/8-16 Unc
29	532 13 80-57	Knob Inf 3/8-16 Unc Blk W/sym
30	532 11 08-10	Trunnion Dp Stop Dbl Thds PLT

**NOTE:** All component dimensions given in U.S. inches  
1 inch = 25.4 mm

# REPAIR PARTS

14 HP 42" TRACTOR—MODEL NO. LT140 (H1442A), PRODUCT NO. 954 00 05-52  
42" MOWER





# REPAIR PARTS

14 HP 42" TRACTOR—MODEL NO. LT140 (H1442A), PRODUCT NO. 954 00 05-52

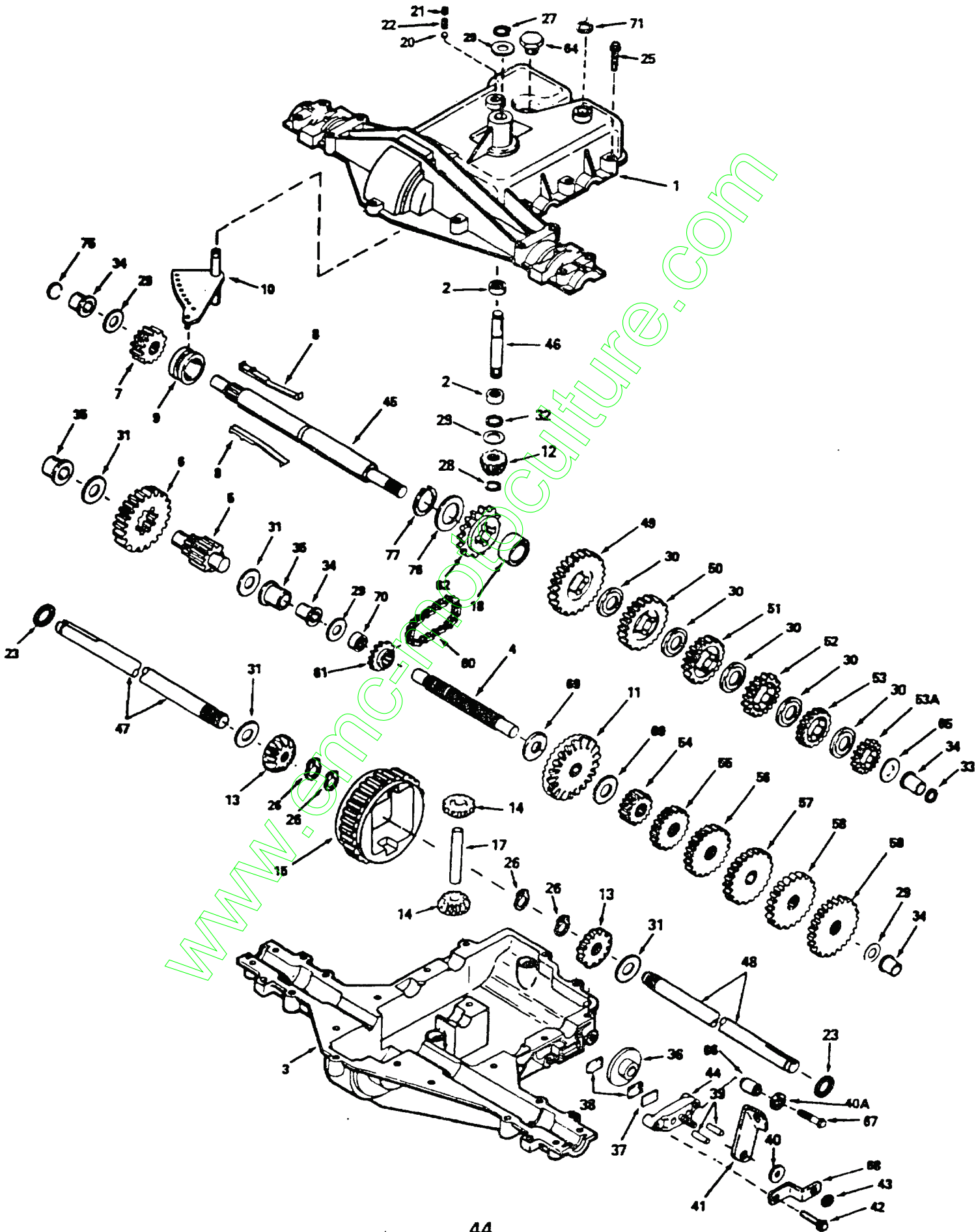
42" MOWER

KEY PART NO. NO.	DESCRIPTION	KEY PART NO. NO.	DESCRIPTION
1 532 13 80-24	Deck Asm MWR 42"weldment	40 873 68 06-00	Nut Crownlock 3/8-16 Unc
2 872 14 05-06	Bolt Rdhd Sqnk 5/16-18unc X3/4	41 532 13 35-51	Rod Pivot W/nibs
3 532 13 80-17	Bracket Asm Fr Sway Bar 38/42	42 876 02 03-12	Pin Cotter 3/32 X 3/4 Cad
4 532 13 84-40	Bracket Asm Deck 42"sway Bar	43 532 13 35-04	Rod Clutch Secondary W/nibs
4A 532 13 28-27	Bolt Shoulder	44 532 13 42-36	Guard Mandrel LH Black
5 532 12 46-70	Retainer Spring	45 532 12 47-88	Spring Retainer 1" Zinc/cad
6 532 13 03-32	Arm Suspension Rear	46 532 13 77-29	Screw Thdrol 1/4-20x5/8
7 873 80 05-00	Locknut-hex W/ins 5/16-18unc P	47 532 13 13-35	Spring Extension
8 532 85 08-57	Bolt 3/8-24x1 25 Gr8 Patched	48 532 13 39-44	Washer Hardened Smaller
9 810 03 06-00	Washer Lock Hvy 3/8 Unplated	49 532 13 39-40	Roller Asm Cam Follower 42"dec
10 532 12 99-62	Washer Hard Blade Mower Vented	50 532 13 13-40	Bolt Shldr 10-24 Zinc Gr 5 42"
11 532 13 84-98	Blade Mower High Perf 42"	51 532 06 91-80	Nut Lock #10-24 Unc
12 532 12 98-95	Bearing Ball #6204 (Mandrel)	52 532 10 55-29	Bolt Shoulder 5/16-18 Unc Blkz
13 532 13 31-72	Shaft Asm W/lower Bearing	53 532 13 18-45	Arm Asm Pad Brake
14 532 12 87-74	Housing Mandrel Vented(machd)	54 532 13 39-43	Washer Hardened
15 532 11 04-85	Bearing Ball Mandrel	55 532 13 38-44	Arm Idler 42"mower LT/YT
16 532 13 69-29	Stripper Mower Vented	56 532 12 20-52	Spacer Retainer Pm Mower
17 872 11 06-18	Bolt Rdhd Sqnk 3/8-16 X 2-1/4	57 532 12 74-98	Bushing 747 Od X 794 Lg Brass
18 872 14 05-05	Bolt Carr 5/16-18 X 5/8	58 532 12 87-59	Spring Clutch Mower 2 750 Zinc
19 873 80 05-00	Locknut-hex W/ins 5/16-18unc P	59 532 13 80-03	Lever Asm Clutch Primary Yp
20 532 13 68-88	Baffle Vortex 42	60 532 13 46-66	Rod Clutch Primary 38/42
21 873 68 05-00	Nut Crown Lock 5/16-18	61 532 13 18-70	Spring Return
2 532 13 47-53	Stiffener Bracket 42"deck	62 532 12 78-47	Arm Clutch Secondary
23 532 13 12-67	Bracket Deflector Mower 42"	63 532 12 17-48	Washer 25/32 X 1-5/8 X 16 Ga
24 532 10 53-04	Cap Sleeve 80x 112 Blk Mower	64 812 00 00-29	Ring Klip #t5304-75
25 532 12 37-13	Spring Torsion Deflector 2 52	65 532 12 89-03	Bolt Shoulder 3/8-16 Unc 1 44
26 532 11 04-52	Nut Push Phos & Oil	66 532 12 78-45	Keeper Spring 4 000
27 532 13 09-68	Shield Deflector Mower 42" Blk	67 532 13 20-44	Cover Handle Round Black 5 25
28 819 11 10-16	Washer 11/32 X 5/8 X 16 Ga	68 532 13 09-69	V-Belt Mower 42" 92 40
29 532 13 14-91	Rod Hinge 42"6 75 Wlg	69 874 76 06-16	Bolt Fin Hex 3/8-16unc X 1
30 532 07 81-58	Bolt 5/16-18 X 1 25 T/t	70 532 13 22-74	Bracket Asm Noseroller LH
31 532 12 99-63	Washer Spacer Mower Vented	71 873 68 06-00	Nut Crownlock 3/8-16 Unc
32 532 12 98-61	Pulley Mandrel 42"	72 819 17 14-16	Washer 17/32 X 7/8 X 16 Ga
33 873 05 09-00	Nut 9/16top Lock Fing Oil Dip	73 532 13 22-64	Roller Nose 38 & 42
34 872 11 06-14	Bolt Rdhd 3/8-16uncx1-3/4 Gr5	89 532 13 22-73	Bracket Asm Noseroller RH
35 532 13 38-35	Fastner Christmas Tree	-- 532 13 83-58	Deck Serv 42" Mech Vent (Standard Deck - Order Nose Roller components separately Key Nos. 69-73 and 89)
36 532 13 14-94	Pulley Idler Flat 3 060	-- 532 13 07-94	Mandrel Assembly (Includes Key Numbers 8-10, 12-15, 31 and 33)
37 819 13 16-12	Washer 13/32 X 1 X 12 Ga		
38 532 13 35-02	Spacer Arm Idler Upper Hdn 42"		
39 532 13 35-03	Stiffener Arm Idler Upper 42"		

NOTE: All component dimensions given in U.S. inches  
1 inch = 25.4 mm

# REPAIR PARTS

14 HP 42" TRACTOR—MODEL NO. LT140 (H1442A), PRODUCT NO.954 00 05-52  
PEERLESS TRANSAXLE - - MODEL NUMBER 930-010



# REPAIR PARTS

14 HP 42" TRACTOR—MODEL NO. LT140 (H1442A), PRODUCT NO. 954 00 05-52  
 PEERLESS TRANSAXLE - - MODEL NUMBER 930-010

REF PART NO. NO.	DESCRIPTION	REF PART NO. NO.	DESCRIPTION
1	772108	42	792073
2	780086		Screw, Flanged Hex Head, Thread Forming 1/4-20 x 1-1/4
3	770102	43	792075
4	776260	44	790025
5	776219	45	776315A
6	778139	46	776135
7	778136	47	774690
8	792136	48	774691
9	784352	49	778191
10	784355	50	778125
11	778229	51	778124A
12	778113A	52	778123A
13	778221	53	778122A
14	778068	53A	778209
15	778260	54	778230
17	786139	55	773151
18	786102	56	778126A
20	792077	57	778127A
21	792078	58	778128A
22	792079	59	778163
23	788061	60	786081
25	792073		Chain, Roller (Number 41 Chain, 24 Links)
6	792125	61	786082
		62	786123
27	792035	64	792074
28	788040	65	780109
29	780072	66	786067
30	780108	67	792085
31	780001		Screw, Flanged Hex Head, Thread Forming 1/4-20 x 2-1/4
32	792001	68	786086
33	788051	69	780051
34	780105A	70	786118
35	780118A	71	788069
36	790003	75	786116
37	790007	76	780090
38	790006	77	788075
39	786026		Ring, Retaining
40	792076		Bracket, Brake Lever
40A	792128		Washer, Thrust
41	790047		Spacer
			Screw, Flanged Hex Head, Thread Forming 1/4-20 x 1-1/4
			Bracket, Brake Pad
			Shaft, Brake, 4-Keyed
			Shaft, Input
			Axle, 11-15/16"
			Axle, 16-1/2"
			Gear, Spur 37 Teeth
			Gear, Spur 35 Teeth
			Gear, Spur 30 Teeth
			Gear, Spur 25 Teeth
			Gear, Spur 22 Teeth
			Gear, Spur 19 Teeth
			Gear, Spur 12 Teeth
			Gear, Spur 15 Teeth
			Gear, Spur 20 Teeth
			Gear, Spur 25 Teeth
			Gear, Spur 28 Teeth
			Gear, Spur 31 Teeth
			Ring, Retainer (4 Required, Package Of 2)
			Ring, Retainer
			Washer, Thrust
			Washer, Thrust
			"O" Ring
			Seal, Square Cut
			Bushing, Flanged
			Bushing, Flanged
			Disk, Brake
			Plate, Brake Pad
			Pad, Brake
			Pin, Dowel
			Washer, Flat
			Washer, Flat
			Lever, Brake

**NOTE:** All component dimensions given in U.S. inches  
 1 inch = 25.4 mm

Parts must be ordered from Tecumseh Products Co.