



**Illustrated Parts
List**

www.emc-motoculture.com

LT 140

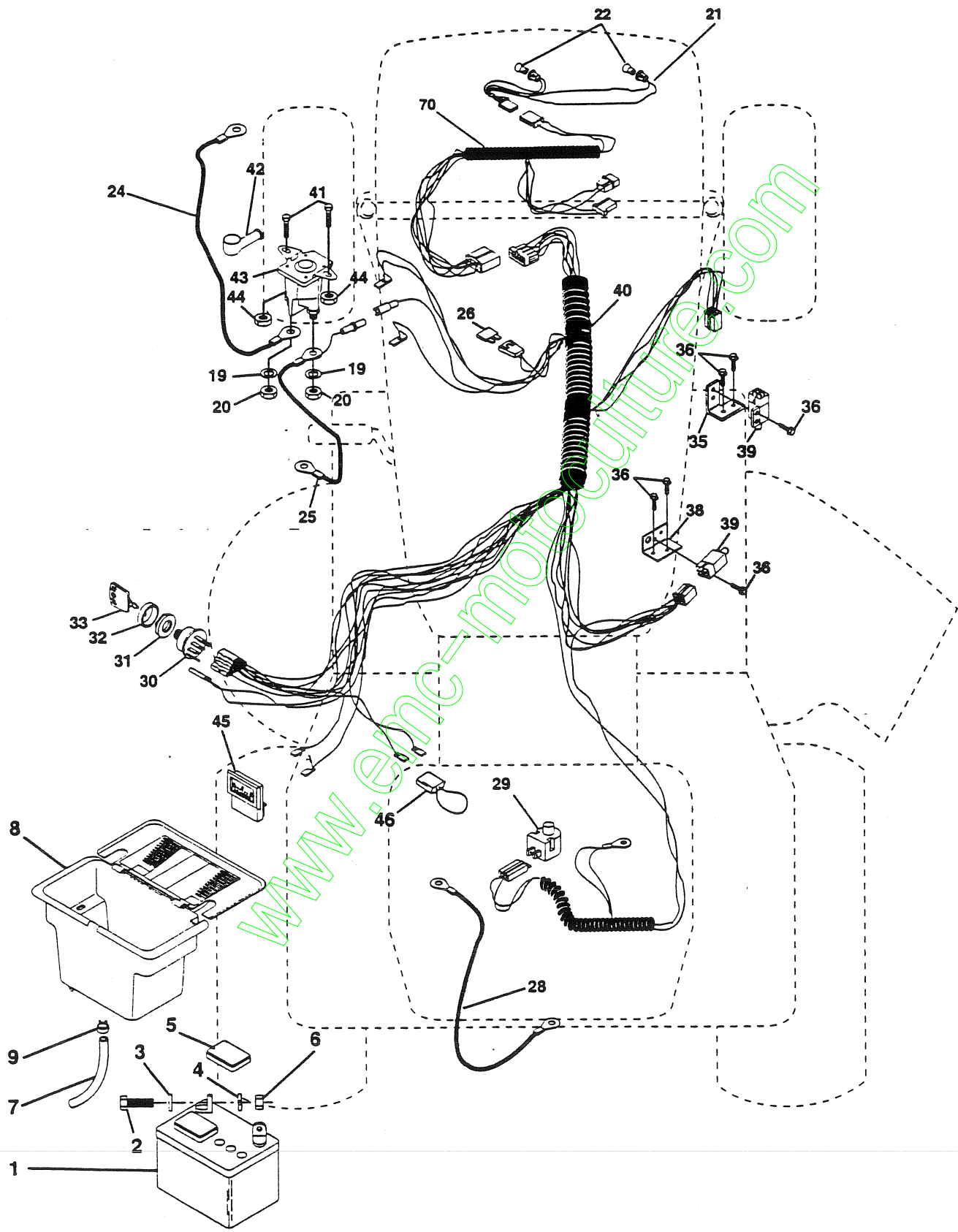
HC1442C

954002731

REPAIR PARTS

TRACTOR - MODEL NO. LT140 (HC1442C) PRODUCT NO. 954 00 27-31

ELECTRICAL



REPAIR PARTS

TRACTOR - MODEL NO. LT140 (HC1442C) PRODUCT NO. 954 00 27-31

ELECTRICAL

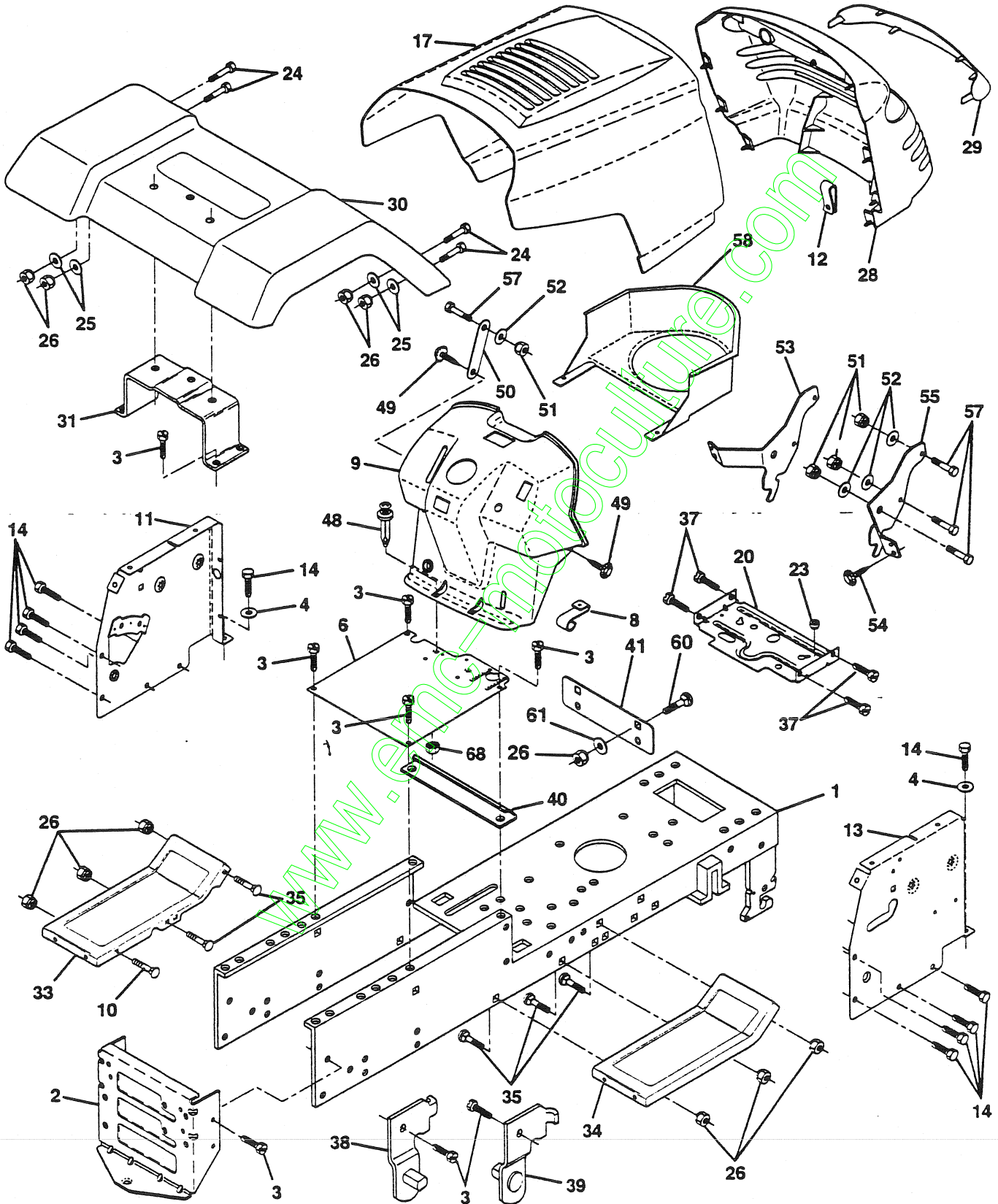
KEY NO.	PART NO.	DESCRIPTION
1	532121265	Battery 12 Volt 25 AMP
2	874760412	Bolt Hex Hd 1/4-20unc X 3/4
3	819091016	Washer 9/32 X 5/8 X 16 Ga.
4	810040400	Washer Lock Hvy Helical 1/4
5	532121264	Caps Battery 20/25/30 AMP
6	873220400	Nut Fin Hex 1/4-20 Unc
7	532109238	Tube Plastic 12"
8	532129965	Case Battery Hng Mech W/lid
9	532109596	Clamp Hose Olive
19	810090400	Washer Lock 1/4
20	873350400	Nut Jam Hex 1/4-20 Unc
21	532136850	Harness Asm Light W/4152j
22	532004152	Bulb Light #1156
24	532124780	Cable Battery 6 Ga 11" red
25	532146167	Cable Battery 6 Ga red w/16 wire
26	532108824	Fuse 30 AMP Auto Green
28	532124773	Cable Ground 6 Ga 12" black
29	532121305	Switch Plunger Nc Gray
30	532140301	Switch Ign 4 pos w/lights
31	532124211	Nut Ignition
32	532141226	Cover Sw Ignition
33	532122147	Key Ign (Modleded Generic
35	532108236	Bracket Switch Clutch
36	817021008	Screw Tap Hex #10-24unc X 1/2
38	532140336	Bracket, Switch, Interlock
39	532109553	Switch Intlk Clutch Red 4 Term
40	532146058	Harness Ign Hm 95LT PL Mech
41	871110412	Bolt Blk Fin Hex 1/4 - 20 x 3/4
42	532131563	Cover Terminal Red
43	532145673	Solenoid
44	873510400	Nut Keps Hex 1/4-20 Unc
45	532121433	Ammeter Rectangular
46	532141940	Protection Wire Loop
70	532141164	Harness, Eng.

NOTE: All component dimensions given in U.S. inches.
1 inch = 25.4 mm.

REPAIR PARTS

TRACTOR - MODEL NO. LT140 (HC1442C) PRODUCT NO. 954 00 27-31

CHASSIS AND ENCLOSURES



REPAIR PARTS

TRACTOR - MODEL NO. LT140 (HC1442C) PRODUCT NO. 954 00 27-31

CHASSIS AND ENCLOSURES

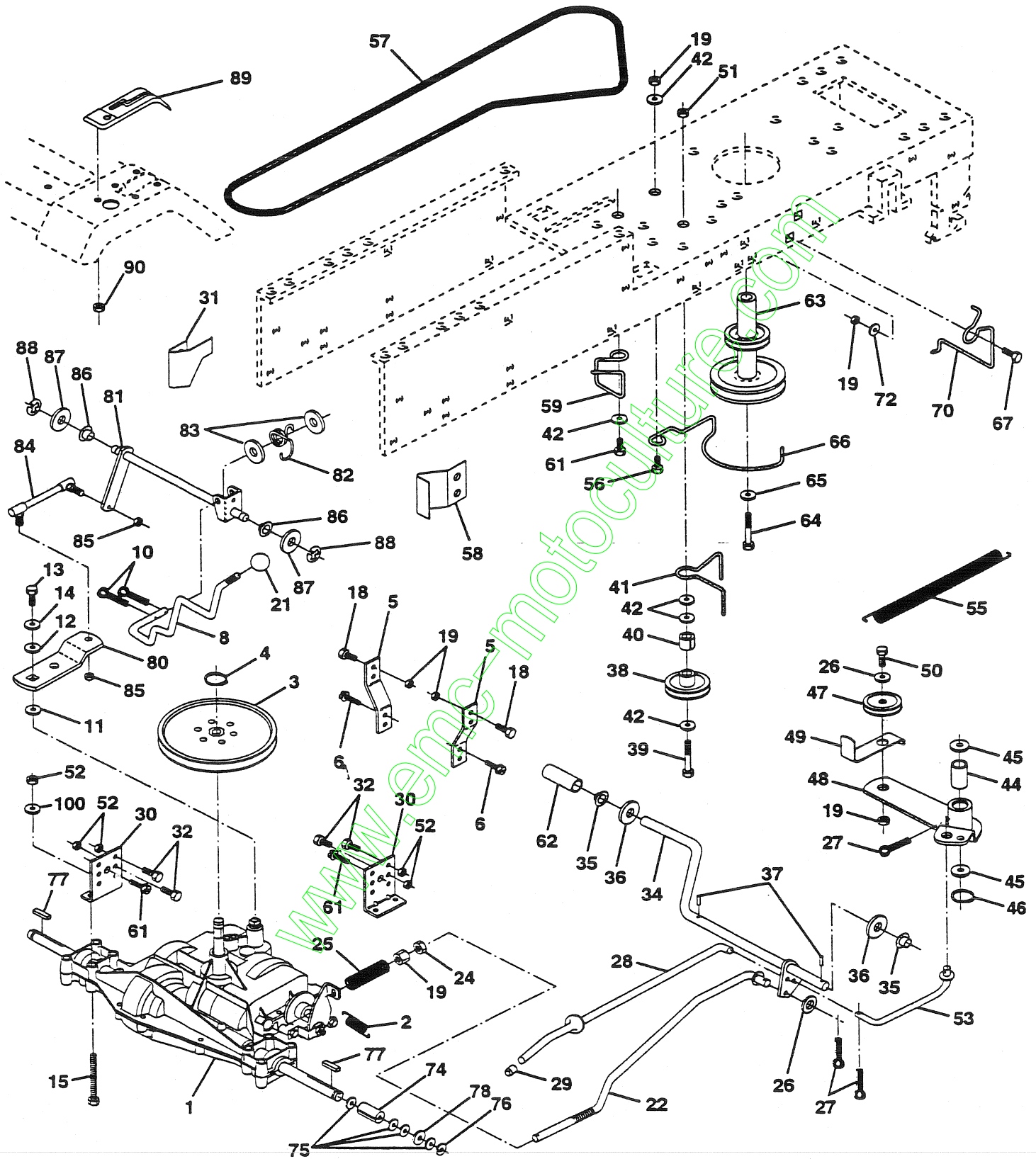
KEY NO.	PART NO.	DESCRIPTION
1	532145501	Chassis Weldment 11ga
2	532140356	Drawbar, Stretch
3	817490612	Screw Thdrol 3/8-16x3/4 Ty-tt
4	819131216	Washer 13/32 x 3/4 x 16 Ga.
6	532145206	Saddle LT Fender Shift
8	532126471	Clip Insulator .406 Mtg Hole
9	532140622	Dash Private Label
10	872140608	Bolt Carriage 3/8-16 x 1
11	532140311	Panel Pnt Dash Lh
12	532145660	Clip Tinnerman P/L
13	532140178	Panel Dash Rh Weldment
14	817490608	Screw Thdrol 3/8-16x1/2 Ty-tt
17	532144320	Hood Paint Steel Private Label
20	532145210	Plate Pnt Mtg Btry/FL
23	532124028	Bushing
24	874780616	Bolt Fin Hex 3/8-16unc X 1 Gr. 5
25	819131312	Washer 13/32 X 13/16 X 12 Ga
26	873800600	Nut Lock Hex W/Ins 3/8-16 UNC
28	532140141	Grille Private Label
29	532140273	Lens Grille Private Label
30	532143050	Fender Pnt
31	532139976	Bracket Pnt Support Fender
33	532147203	Footrest Pnt Lh
34	532147202	Footrest Pnt Rh
35	872110606	Bolt Rdnd Sht Sqnk 3/8-16 X3/4
37	817490512	Screw Thdrol 5/16-18 X3/4
38	532139886	Bracket, Asm. Pivot, L.H., Mower Rear
39	532139887	Bracket, Asm. Pivot, R.H., Mower Rear
40	532139977	Spacer Fender Lt
41	532139978	Plate Extension Fender Lt
48	532138096	Rivet Push Plate D Plastic Blk
49	817490412	Screw Hexwsh. Thdrol 1/4-20 x 3/4
50	532142779	Brace
51	873800400	Nut Lock Hex W/Ins 1/4-20
52	819091416	Washer 9/32 x 7/8 x 16 Ga.
53	532144697	Bracket Gille Lh
54	817030814	Screw Lock Spider #8 x 7/8
55	532144697	Bracket, Grill Rh
57	874780412	Screw Hex 1/4-20 x 3/4
58	532140806	Air Duct P/L
60	872140606	Bolt Carriage 3/8-16 x 3/4
61	819171416	Washer 17/32 x 7/8 x 16 Ga.
68	873510400	Nut Keps Hex 1/4-20 Unc
-	532005479	Plug Button

NOTE: All component dimensions given in U.S. inches.
1 inch = 25.4 mm

REPAIR PARTS

TRACTOR - MODEL NO. LT140 (HC1442C) PRODUCT NO. 954 00 27-31

DRIVE



REPAIR PARTS

TRACTOR - MODEL NO. LT140 (HC1442C) PRODUCT NO. 954 00 27-31

DRIVE

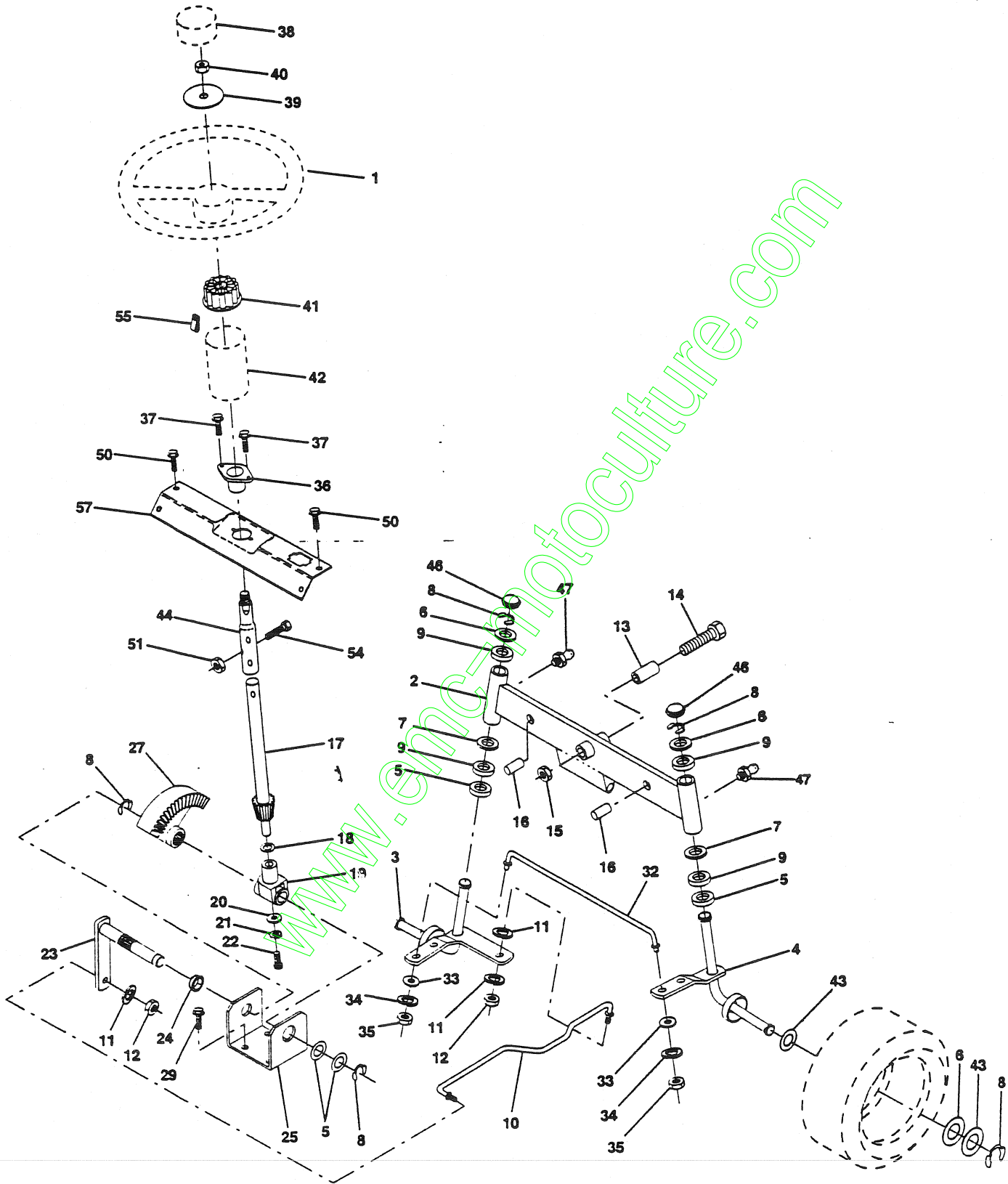
KEY PART NO.	NO.	DESCRIPTION	KEY PART NO.	NO.	DESCRIPTION
1	532145605	Transaxle 6sp Dana 4360-96	48	532123789	Bellcrank Asm Clutch
2	532146682	Spring Return Brake T/a Zinc	49	532123205	Retainer Belt Style Spring
3	532123666	Pulley Transaxle 18"tires	50	874760624	Bolt Hex Hd 3/8-16unc X 1-1/2
4	812000028	Ring Retainer # 5100-62	51	873680600	Nut Crownlock 3/8-16 Unc
5	532121520	Strap Torque 30 Degrees	52	873680500	Nut Crownlock 5/16-18 Unc
6	817490512	Screw Thdrol 5/16-18 X 3/4 TYT	53	532105710	Link Clutch 7 66
8	532141003	Rod Shifter	55	532105709	Spring Return Clutch 6 75
10	876020416	Pin Cotter 1/8 X 1 Cad	56	874760620	Bolt Fin Hx 3/8-16 X 1/4
11	532105701	Washer Plate Shf 388 Sq Hole	57	532130801	V-Belt Ground Drive 95 25 42"
12	819151216	Washer 15/32 X 3/4 X 16 Ga	58	532127274	Keeper Belt RH LT Pnt/zinc 16g
13	874550412	Bolt 1/4-28 Unf Gr 8 W/Patch	59	532140312	Keeper Belt Span Ctr
14	810040400	Washer Lock Hvy Helical 1/4	61	817490612	Screw Thdrol 3/8-16x3/4 Ty-tt
15	874780544	Bolt Fin Hex 5/16-18uncx 2 3/4	62	532124872	Cover Pedal Blk Round
18	874780616	Bolt Fin Hex 3/8-16unc X 1 Gr. 5	63	532140186	Engine Pulley LT/YT
19	873800600	Nut Lock 3/8-16 Unc	64	532138885	Bolt Hex
21	532121274	Knob Duckhead1/2-13 Plstc Thds Blk	65	810040700	Washer Lock Hvy Hlcl Spr 7/16
22	532130804	Rod Brake Blk Zinc 26 840	66	532129921	Keeper Belt Engine LH LT
24	873350600	Nut Hex Jam 3/8-16 Unc	67	874760616	Bolt Hex Head 3/8-16 x 1
25	532106888	Spring Rod Brake 2 00 Zinc	70	532134683	Guide Belt Mower Drive RH
26	819131316	Washer 13/32 X 13/16 X 16 Ga	72	819132012	Washer 13/32 X 1-1/4 X 12 Ga
27	876020412	Pin Cotter 1/8 X 3/4 Cad	74	532109502	Spacer Split
28	532145204	Rod Brake Parking LT/YT	75	532121749	Washer 25/32 X 1 1/4 X 16 Ga
29	532071673	Cap Brake Parking Black	76	812000001	E-ring #5133-75
30	532130807	Bracket Mtg Transaxle	77	532123583	Key Square 2 0 X 1845/ 1865
31	532127275	Keeper Belt LH LT 14 Ga	78	532121748	Washer 25/32 X 1-5/8 X 16 Ga
32	874760512	Bolt Hex Hd 5/16-18unc X 3/4	80	532131487	Arm Shift Transaxle
34	532122424	Shaft Asm Pedal Foot 1 930	81	532136933	Shaft Asm Cross 20"t 42"deck
35	532120183	Bearing Nylon Blk 629 Id	82	532123782	Spring Torsion T/a
36	819211616	Washer 21/32 X 1 X 16 Ga	83	819171216	Washer 17/32 X 3/4 X 16 Ga
37	532124963	Pin Roll 3/16 X 1"	84	532132183	Rod Shift Adj Tie
38	532123674	Pulley Idler Flat	85	873530400	Nut Nylock 1/4 - 28
39	874760644	Bolt Fin Hex 3/8-16unc X 2-3/4	86	532071208	Bushing Rod Strg 629/632 Id
40	532124965	Spacer Split 395 X 59 Bzp	87	819212016	Washer 21/32 X 1-1/4 X 16 Ga
41	532109070	Keeper Belt Retainer	88	812000008	Ring Klip #5304-62
42	819131312	Washer 13/32 X 13/16 X 12 Ga	89	532139964	Console Shift 6sp LT
44	532105706	Bearing Nyl 503 X 628 X 1 25	90	532124346	Nut Self-thd Wsh-hd 1/4 Zinc
45	532110812	Washer Hardened	100	819111216	Washer 11/32 X 3/4 X 16 Ga.
46	812000039	Ring Klip #5304-50			
47	532127783	Pulley Idler V Groove Plastic			

NOTE: All component dimensions given in U.S. inches
1 inch = 25.4 mm

REPAIR PARTS

TRACTOR - MODEL NO. LT140 (HC1442C) PRODUCT NO. 954 00 27-31

STEERING ASSEMBLY



REPAIR PARTS

TRACTOR - MODEL NO. LT140 (HC1442C) PRODUCT NO. 954 00 27-31

STEERING ASSEMBLY

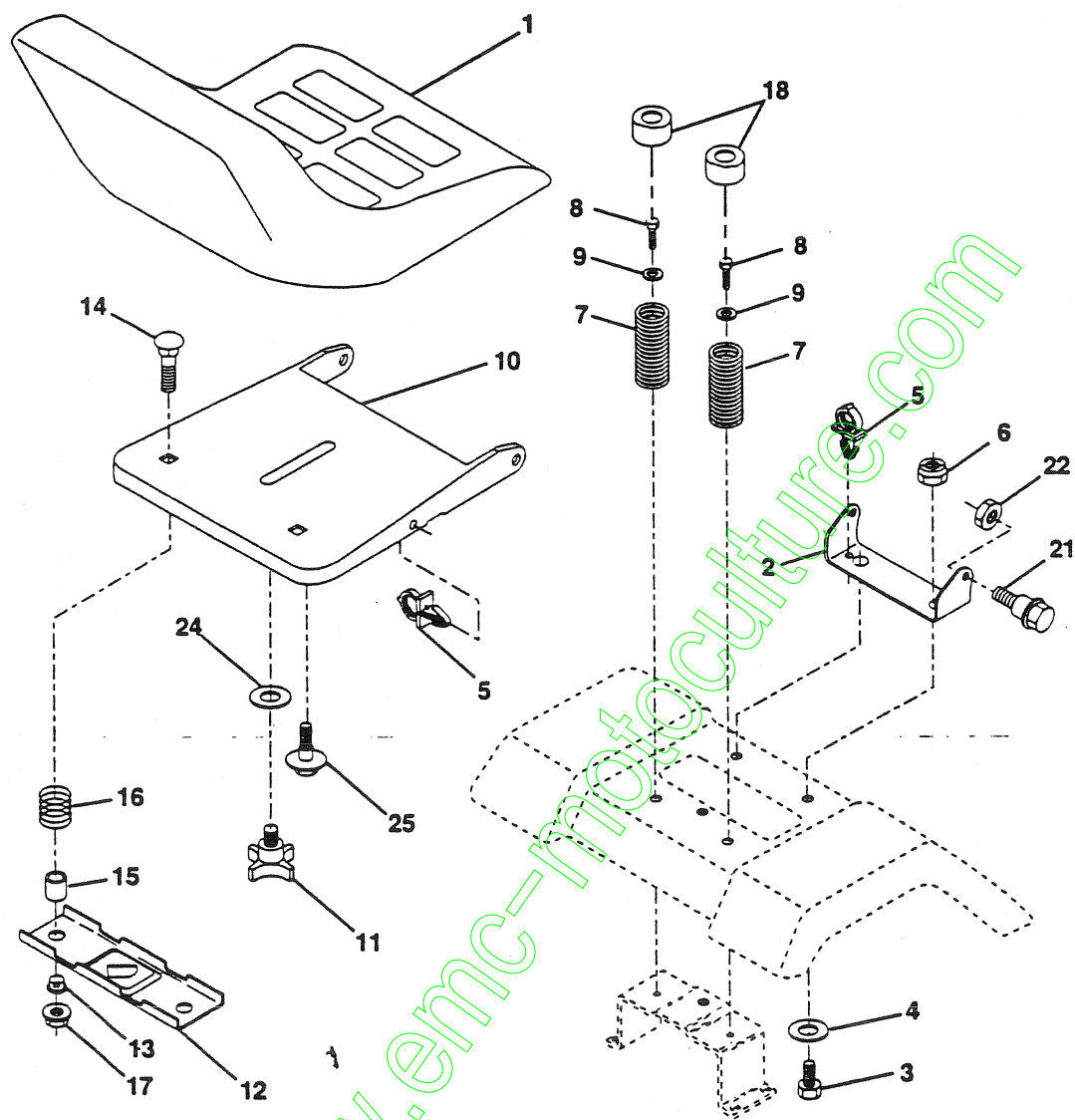
KEY NO.	PART NO.	DESCRIPTION
1	532121472	Wheel Steering Auto Blk
2	532142033	Axle Asm Fr LT W/gzks 38/42
3	532135227	Spindle Asm LH
4	532135228	Spindle Asm RH
5	532124931	Bearing Race Thrust Harden
6	532121748	Washer 25/32 X 1-5/8 X 16 Ga
7	819272016	Washer 27/32 X 1-1/4 X 16 Ga
8	812000029	Ring Klip #t5304-75
9	532124937	Bearing Col Strg Blk
10	532130468	Link Drag Sol Ball Jt 20 064
11	810040600	Washer Lock Hvy Hlcl Spr 3/8
12	873610600	Nut Fin Hex 3/8-24 Unf
13	532110438	Spacer Bearing Axle Front
14	874011056	Bolt Hex 5/8-11 Unc X 3-1/2
15	873901000	Nut Lock Flange 5/8-11 Unc
16	532132624	Pin Axle 5/8 X 1 55/1 54 Lg
17	532140176	Shaft Asm Strg Private Label
18	532057079	Washer Thrust 515x 750x 033
19	532124035	Support Shaft
20	532126684	Washer Shim 1/4 X 5/8 X 062
21	810040400	Washer Lock Hvy Helical 1/4
22	871070410	Screw Hex Socket 1/4-20 X 5/8
23	532127501	Shaft Asm Pittman
24	532109816	Nyliner Snap In
25	532124036	Bracket Steering
27	532136874	Gear Sector
29	817490612	Screw Thdrol 3/8-16x3/4 Ty-tt
32	532139929	Rod Tie BJ Solid 19 75 Mech
33	819111216	Washer 11/32 x 3/4 x 16 Ga.
34	810040500	Washer Lock Hvy Hlcl Spr 5/16 Ga
35	873810500	Locknut 5/16-24 UNF
36	532102803	Bushing Strg
37	817431008	Screw Slftp #10-16 X 1/2 Ty-b
38	532126805	Insert Cap Strg Wh Au
39	819133808	Washer 13/32 X 2-3/8 X 8 Ga
40	532124701	Nut Lock Center 3/8-24unf
41	532104820	Adaptor Wheel Strg 640/ 635id
42	532140216	Boot Steering Shaft
43	532121749	Washer 25/32 X 1 1/4 X 16 Ga
44	532140171	Shaft Extention Steering
46	532121232	Cap Spindle Fr Top Blk
47	532124836	Fitting Grease
50	817490412	Screw Hex Wsh Thdrol 1/4-20 x 3/4
51	873800500	Nut Lock Hex w/Ins 5/16-18
54	874780520	Bolt Fin Hex 5/16-18 Unc x 1-1/4
55	532140285	Clip Tinnerman
57	532140172	Support Shaft Steering

NOTE: All component dimensions given in U.S. inches.
1 inch = 25.4 mm.

REPAIR PARTS

TRACTOR - MODEL NO. LT140 (HC1442C) PRODUCT NO. 954 00 27-31

SEAT ASSEMBLY



KEY PART NO. NO.

DESCRIPTION

1	532127428	Seat V450 Blk/blk Std
2	532140551	Bracket Pivot Seat 8 720
3	874760616	Bolt Fin Hex 3/8-16unc X 1
4	819131610	Washer 13/32 X 1 X 10 Ga
5	532145006	Clip Push-in
6	873800600	Nut Lock 3/8-16 Unc
7	532124181	Spring Seat Cprsn 2 250 Blk Zi
8	817490616	Screw Thdrol 3/8-16 X 1 Ty-tt
9	819131614	Washer 13/32 X 1 X 14 Ga.
10	532140552	Pan Seat
11	532120068	Knob Seat 1/2-13 UNC Blk

KEY PART NO. NO.

DESCRIPTION

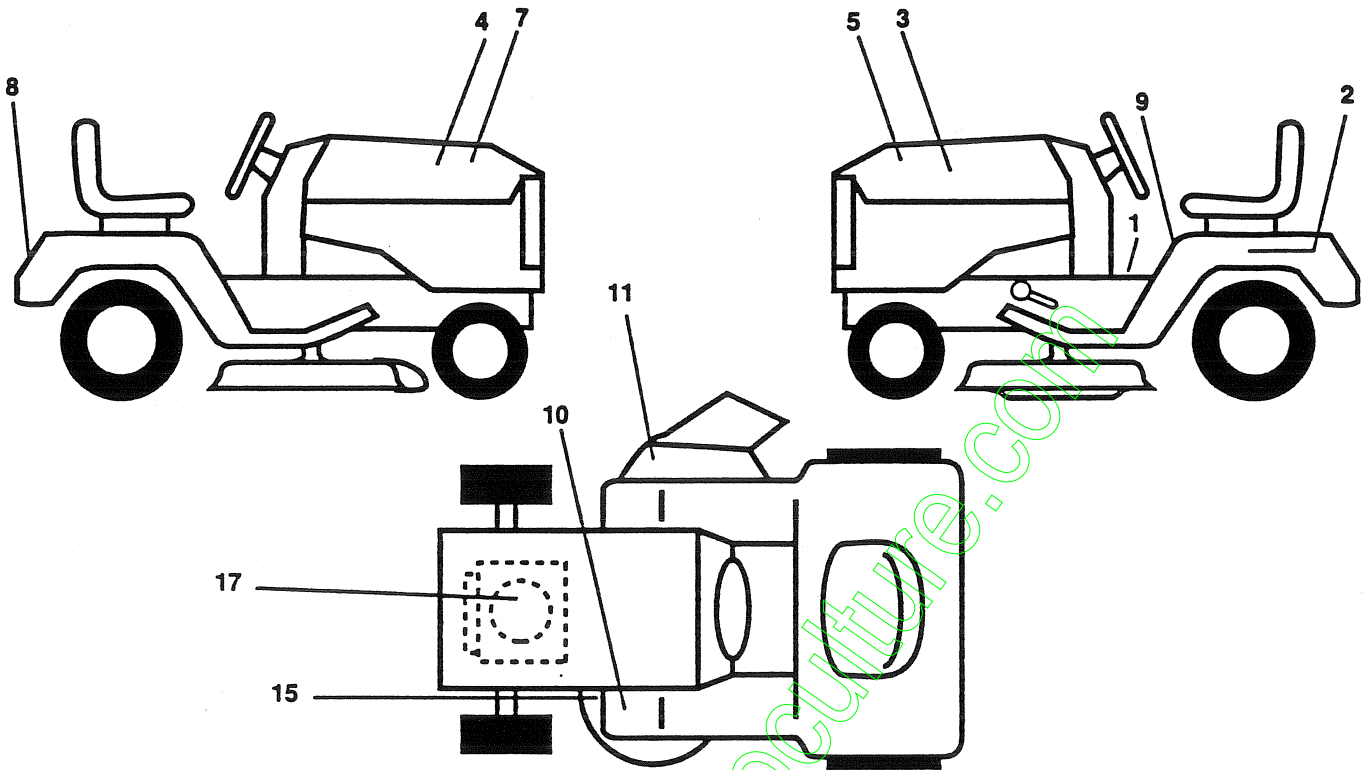
12	532121246	Bracket Mounting Switch
13	532121248	Bushing Snap Blk Nyl 50 Id
14	872050411	Bolt Rdhd Sht Nk 1/4-20x1-3/8
15	532134300	Spacer Split 28x 96 Yel Zinc
16	532121250	Spring Cprsn 1 27 Blk Pnt
17	532123976	Nut Lock 1/4 Lge Flg Gr 5 Zinc
18	532124238	Cap Spring Seat
21	532139888	Bolt Shoulder 5/16-18 Unc Blkz
22	873800500	Nut Hex Lock W/Ins 5/16-18
24	819171912	Washer 17/32 X 1-3/16 X 12 Ga.
25	532127018	Bolt Shoulder 5/16-18 X 62

NOTE: All component dimensions given in U.S. inches.
1 inch = 25.4 mm

REPAIR PARTS

TRACTOR - MODEL NO. LT140 (HC1442C) PRODUCT NO. 954 00 27-31

DECALS



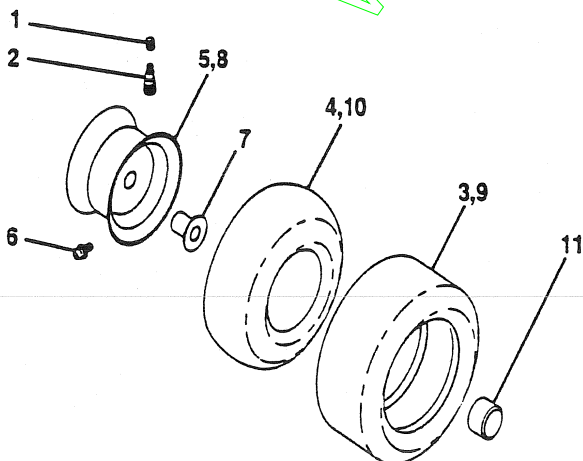
KEY NO.	PART NO.	DESCRIPTION
1	532140820	Decal Instruction Dash Eng/fr
2	532121549	Decal Caution Battery Fr/ger
3	532143608	Decal Hood LH
4	532143609	Decal Hood RH
5	532143959	Decal Ins Hd LH
7	532143958	Decal Ins Hd RH
8	532131582	Decal Fender Logo
9	532133795	Decal Caution Fender Eng/fr
10	532101892	Decal Clutch/brake Eng/fr
11	532137259	Decal Warning Multi-Language

KEY NO.	PART NO.	DESCRIPTION
15	532136832	Decal V-Belt Schematic
17	532140014	Decal HP Engine
--	532138311	Decal Handle Lft Height Adjust
--	532146189	Manual Owner's (English)
--	532146190	Manual Owner's (French)

Available accessories not included with tractor:

--	LBD48	42" Snow Blade
--	LSB42	40" Snow Thrower
--	LC05	33lb. Wheel Wts. (Pair)
--	LC06	Tire Chains (20 x 10 x 8)
--	C42	Grass Catcher for 42"

WHEELS & TIRES



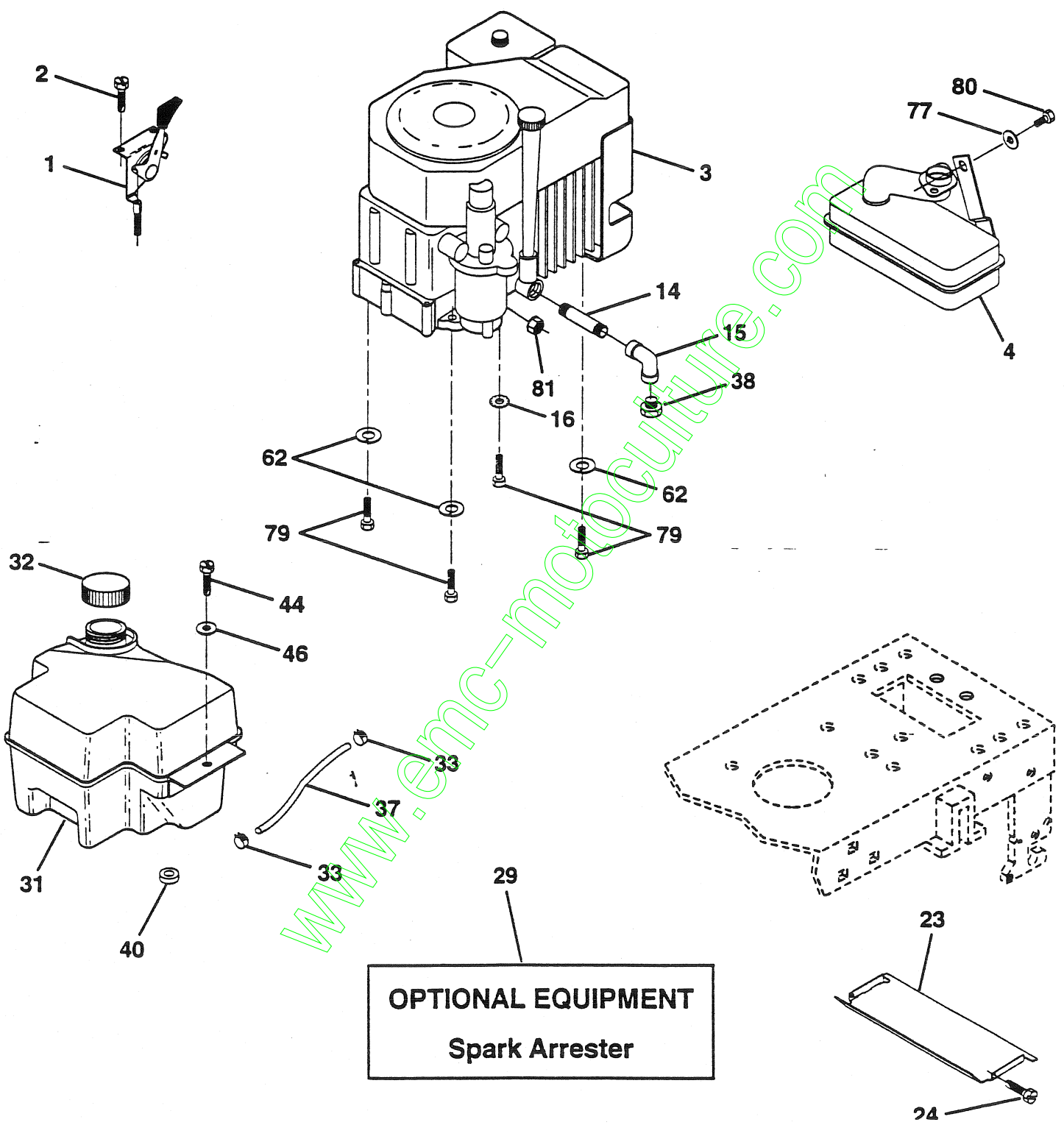
KEY NO.	PART NO.	DESCRIPTION
1	532059192	Cap Valve Tire
2	532065139	Stem Valve
3	532106222	Tire F Ts 15 X 6 0 - 6 Service
4	532059904	Tube Front (Service Item Only)
5	532141446	Rim Asm 6"front White Service
6	532124957	Fitting Grease (Front Wheel Only)
7	532124959	Bearing Flange (Front Wheel Only)
8	532141447	Rim Asm 8"rear White Service
9	532122082	Tire R Ts 20-10 x 8 C Service
10	532124926	Tube Rear (Service Item Only)
11	532104757	Cap Axle Blk 1 50 X 1 00
--	144334	Sealant, Tire (10 oz. Tube)

NOTE: All component dimensions given in U.S. inches
1 inch = 25.4 mm

REPAIR PARTS

TRACTOR - MODEL NO. LT140 (HC1442C) PRODUCT NO. 954 00 27-31

ENGINE



REPAIR PARTS

TRACTOR - MODEL NO. LT140 (HC1442C) PRODUCT NO. 954 00 27-31

ENGINE

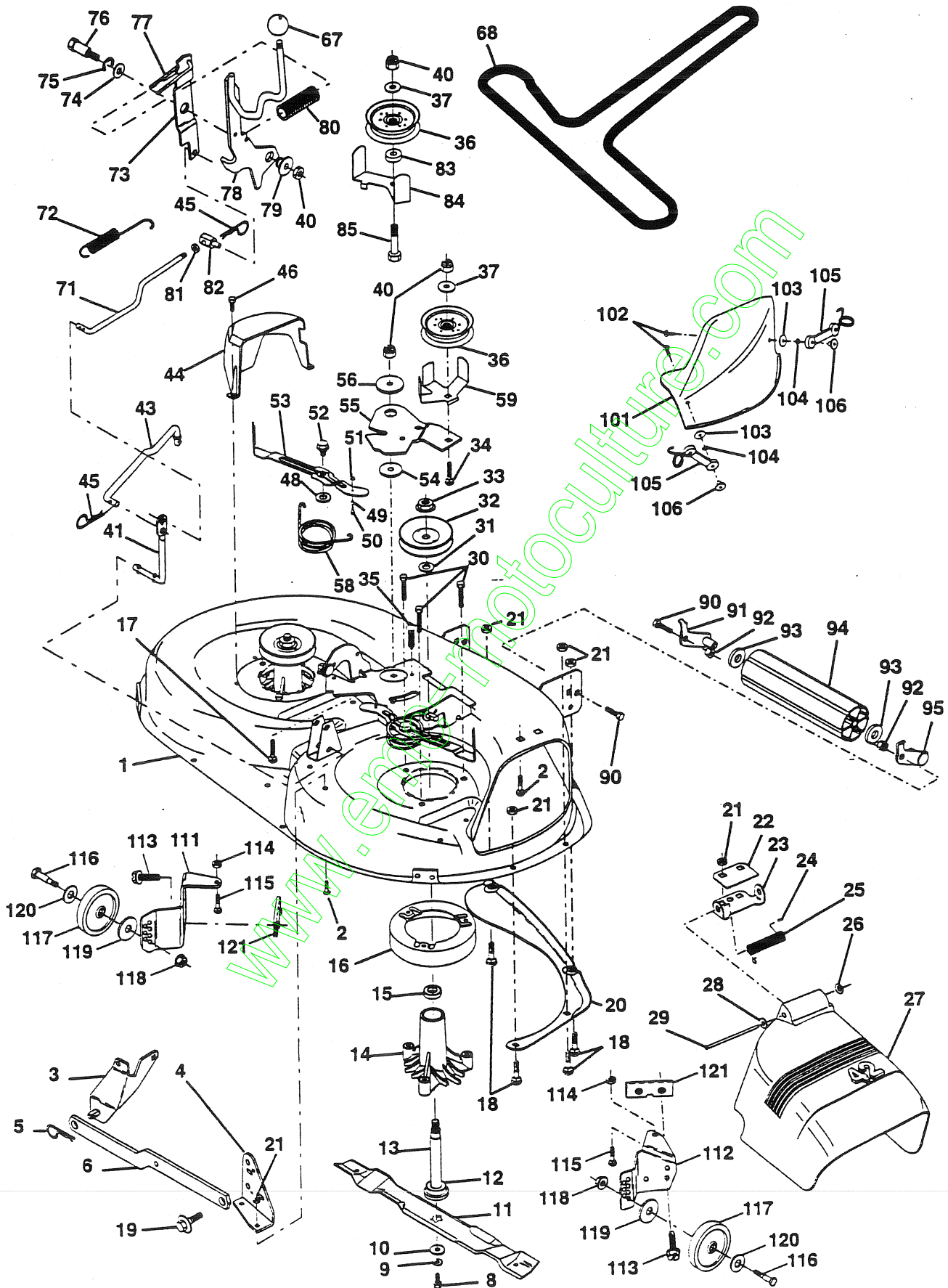
KEY NO.	PART NO.	DESCRIPTION
1	532141296	Control Th/ch 27 LH Flag
2	817720410	Screw Hex Thd Cut 1/4-20x5/8 T
3	-----	Engine Koh 15HP Cmd_L D V w/FP, Model No. CV155
4	532137350	Muffler LT Koh 12.5/15HP
14	813280328	Nipple Pipe 3/8 Npt X 3-1/2
15	813200300	Elbow Std 90 Degree 3/8-18 Npt
16	811050500	Washer Lock Ext Tooth 5/16
23	532128953	Shield Heat Browning LT/YT
24	817021008	Screw Tap Hex #10-24unc X 1/2
29	532137180	Kit Spark Arrestor (Flat Scm)
31	532140280	Tank Fuel Front 2' 00
32	532140527	Cap Asm Fuel w/sym Vented
33	532123487	Clamp Hose Black
37	532137040	Line Fuel 20"
38	-----	Plug Oil Drain (Order From Engine Manufacturer)
40	532124028	Bushing Snap Nyl Blk Fuel Line
44	817490412	Screw Hexwsh Thdrol 1/4-20x3/4
46	819091416	Washer 9/32 X 7/8 X 16 Ga
62	810040500	Washer Lock Hvy Hlcl Spr 5/16
77	819101216	Washer 5/16 X 3/4 X 16 Ga.
79	532125398	Bolt Hex
80	874760508	Bolt Hex Hd 5/16-18 X 1/2
81	873510400	Nut Keps Hex 1/4-20 unc

NOTE: All component dimensions given in U.S. inches
1 inch = 25.4 mm

REPAIR PARTS

TRACTOR - MODEL NO. LT140 (HC1442C) PRODUCT NO. 954 00 27-31

MOWER DECK



REPAIR PARTS

TRACTOR - MODEL NO. LT140 (HC1442C) PRODUCT NO. 954 00 27-31

MOWER DECK

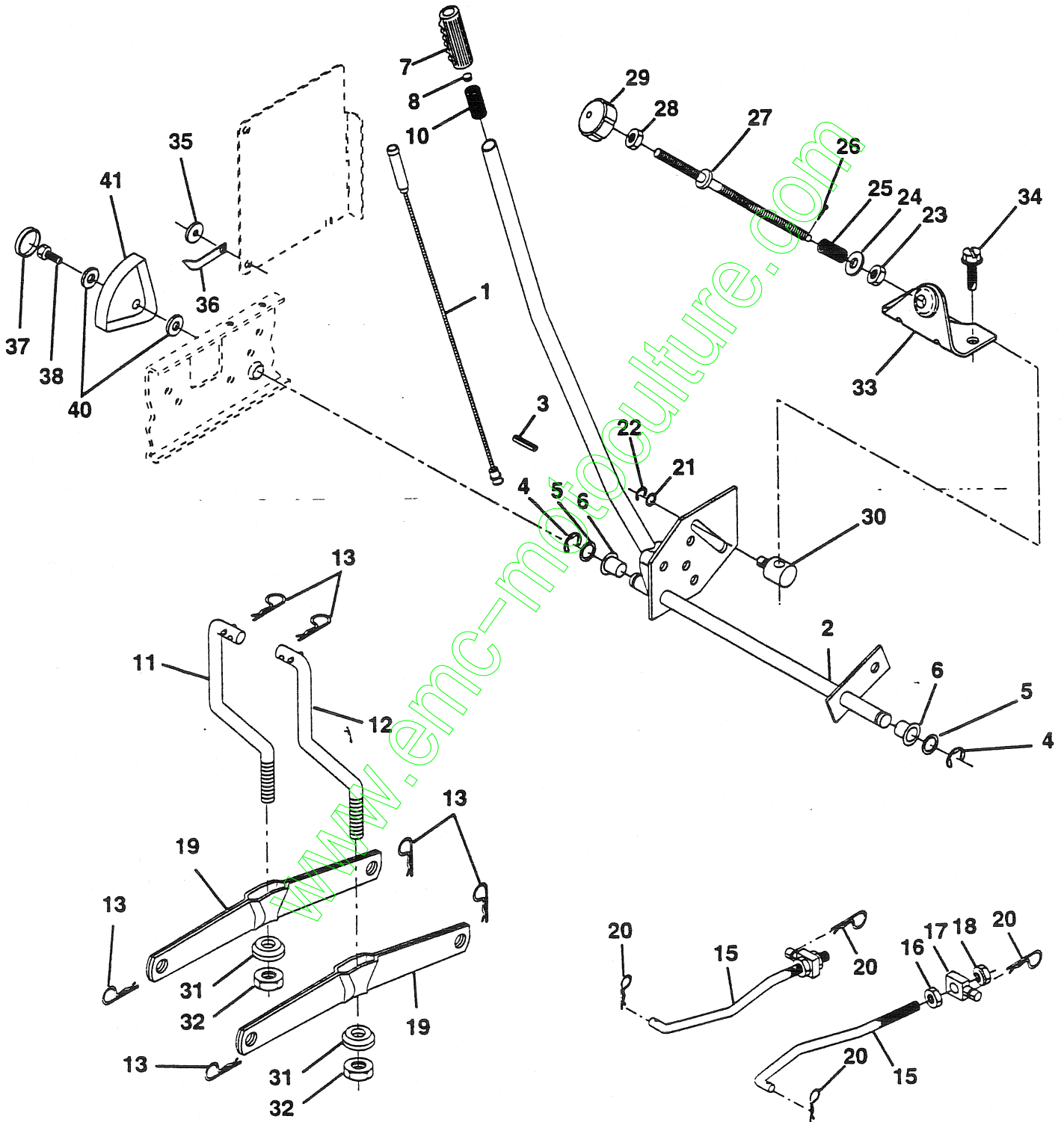
KEY NO.	PART NO.	DESCRIPTION	KEY NO.	PART NO.	DESCRIPTION
1	532144393	Deck Asm MWR 42"weldment	59	532141043	Guard TUV Idler
2	872140506	Bolt Rdhd Sqnk 5/16-18unc X3/4	67	532106933	Knob Rd 1/2-13 Plstc Thds Blk
3	532138017	Bracket Asm Fr Sway Bar 38/42	68	532144200	V-Belt Mower 42"
4	532138440	Bracket Asm Deck 42"sway Bar	71	532142427	Rod Clutch Primary 38/42
5	532124670	Retainer Spring	72	532131870	Spring Return
6	532130832	Arm Suspension Rear	73	532127847	Arm Clutch Secondary
8	532850857	Bolt 3/8 - 24 X 1.25 Gr 8	74	532121748	Washer 25/32 X 1-5/8 X 16 Ga
9	810030600	Washer Lock Hvy 3/8	75	812000029	Ring Klip #5304-75
10	532140296	Washer Hard Blade Mower Vented	76	532128903	Bolt Shoulder 3/8-16 Unc 1 44
11	532134149	Blade Mower Mulching 42"	77	532127845	Keeper Spring 4 000
12	532129895	Bearing Ball #6024 (Mandrel)	78	532140179	Arm Asm Clutch Primary
13	532137645	Shaft Asm W/lower Bearing	79	532127498	Bushing 747 Od X 794 Lg Brass
14	532128774	Housing Mandrel Vented	80	532128759	Spring Clutch Mower 2 750 Zinc
15	532110485	Bearing Ball Mandrel	81	873350600	Nut Hex Jam 3/8-16
16	532140329	Stripper Mower Vented	82	532142028	Trunnion Adj 94
17	872110610	Bolt Rdhd Sqnk 3/8-16 X 1-1/4	83	532120958	Washer Sintered
18	872140505	Bolt Rdhd Sqnk 5/16-18 X 5/8	84	532144394	Keeper Belt Idler Fixed
19	532132827	Bolt Shoulder	85	872140620	Bolt Carriage 3/8-16 x 2-1/2 Gr.5
20	532136888	Baffle Vortex 42	90	874760616	Bolt Fin Hex 3/8-16 UNC x 1
21	873680500	Nut Crownlock 5/16-18 UNC	91	532132274	Bracket Asm Noseroller LH
22	532134753	Stiffener Bracket 42"deck	92	873800600	Nut Lock Hex W/Ins 3/8-16 Unc
23	532131267	Bracket Deflector Mower 42"	93	819171416	Washer 17/32 x 7/8 x 16 Ga.
24	532105304	Cap Sleeve 80x 112 Blk Mower	94	532132264	Roller Nose 38 & 42
25	532123713	Spring Torsion Deflector 2 52	95	532132273	Bracket Asm Noseroller RH
26	532110452	Nut Push Phos & Oil	101	532136420	Cover Mulching 42" Black
27	532130968	Shield Deflector Mower 42" Blk	102	871161010	Screw
28	819111016	Washer 11/32 X 5/8 X 16 Ga	103	819061216	Washer #10
29	532131491	Rod Hinge 42"6 75 Wlg	104	810071000	Washer Lock #10
30	532138776	Screw Thdrol Hex Head Zinc Mwr	105	532130758	Latch Asm Bagger
31	532129963	Washer Spacer Mower Vented	106	532125004	Nut Weld
32	532129861	Pulley Mandrel 42"	111	532140353	Bracket Wheel Gauge LH 42" Deck
33	532137266	Nut 9/16 Toplock Fing Oil Dip	112	532132262	Bracket Gauge Wheel RH 42" Deck
34	872110614	Bolt Rdhd 3/8-16uncx1-3/4 Gr5	113	817490512	Screw Thdrol 5/16-18 X 3/4
35	532133835	Fastner Christmas Tree	114	873510500	Nut Keps 5/16-18 UNC
36	532131494	Pulley Idler Flat 3 060	115	872110504	Bolt Carriage 5/16-UNC x 1/2
37	819131316	Washer 13/32 X 13/16 X 16	116	532124842	Bolt Shoulder "A" 2.41 "B" 1.66
40	873680600	Nut Crownlock 3/8-16 UNC	117	532105455	Wheel Guage Blk 4.93
41	532133551	Rod Pivot W/nibs	118	873930600	Nut Centerlock 3/8-16 UNC
43	532140083	Rod Clutch Secondary W/nibs	119	819121414	Washer 3/8 x 7/8 x 14 Ga.
44	532140088	Guard Mandrel LH Black	120	819171512	Washer 17/32 x 15/16 x 12 Ga.
45	532124788	Spring Retainer 1" Zinc/cad	121	532143723	Bracket Extruded Guage Wheel
46	532137729	Screw Hex Thd Cut 1/4-20x5/8 T	--	532130794	Mandrel Asm Service (Includes Key Nos. 8-10, 12-15, 31 and 33)
48	532133944	Washer Hardened Smaller	--	532145411	Deck Serv 42"mch S Bar Mult-Lang (Standard Deck - Order noseroller, mulch cover and gauge wheel components separately Key Nos. 90-95, 101-106 and 111-120)
49	532133940	Roller Asm Cam Follower 42"dec			
50	532131340	Bolt Shldr 10-24 Zinc Gr 5 42"			
51	532069180	Nut Lock #10-24 Unc			
52	532139888	Bolt Shoulder 5/16-18 Unc Blkz			
53	532131845	Arm Asm Pad Brake			
54	532133943	Washer Hardened			
55	532140084	Arm Idler 42"mower LT/YT			
56	532122052	Spacer Retainer Pm Mower			
58	532140086	Spring Torsion Brakes			

NOTE: All component dimensions given in U.S. inches
1 inch = 25.4 mm

REPAIR PARTS

TRACTOR - MODEL NO. LT140 (HC1442C) PRODUCT NO. 954 00 27-31

MOWER LIFT



REPAIR PARTS

TRACTOR - MODEL NO. LT140 (HC1442C) PRODUCT NO. 954 00 27-31

MOWER LIFT

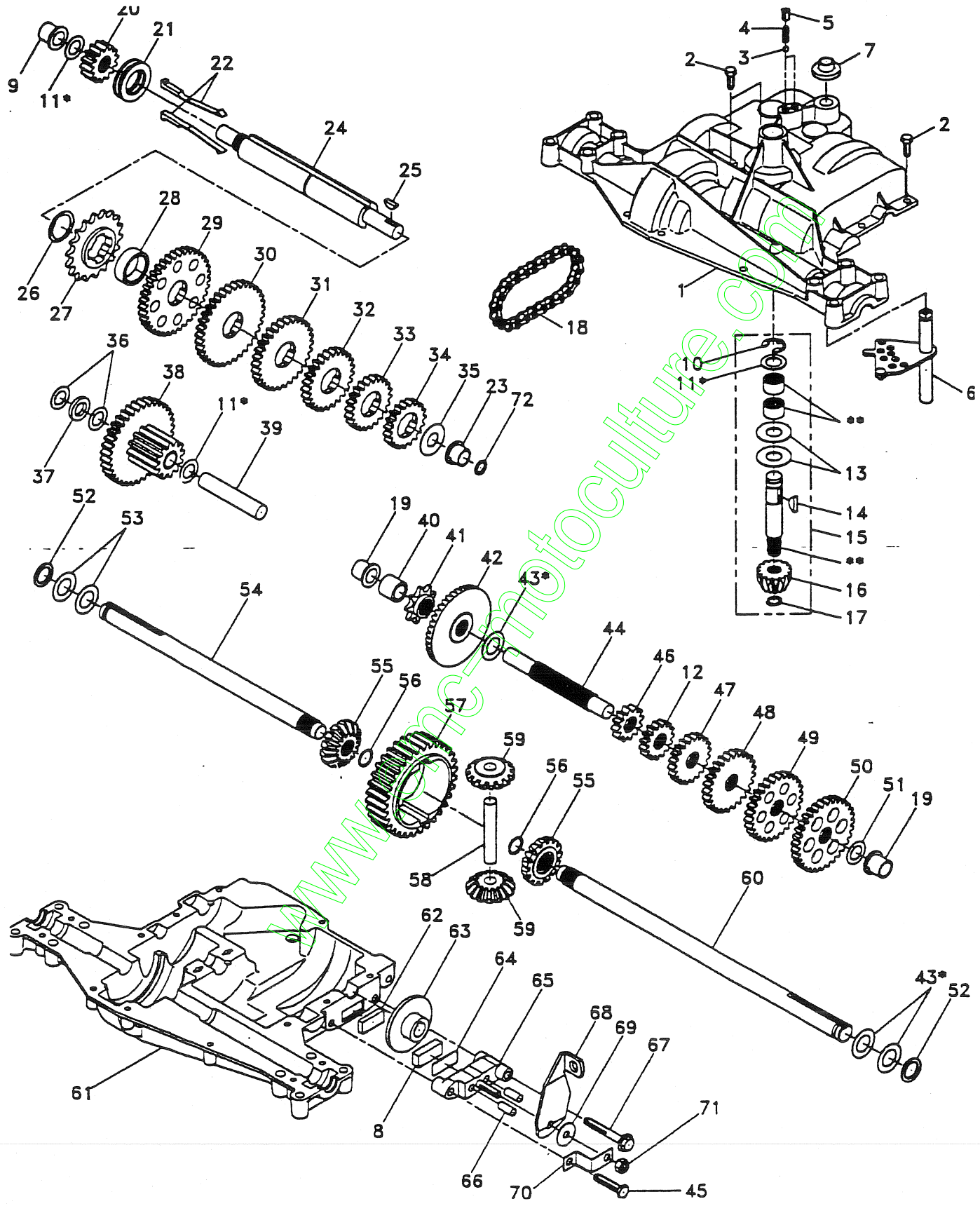
KEY NO.	PART NO.	DESCRIPTION
1	532136973	Wire Asm Inner W/plunger 17 32
2	532140278	Shaft Asm Lift LH Inf Hgt P/L
3	532138284	Pin Groove 1 500 Zinc
4	812000002	E Ring #5133-62
5	819211621	Washer 21/32 X 1 X 21 Ga
6	532120183	Bearing Nylon Blk 629 Id
7	532109413	Grip Handle Bicycle Matte Blk
8	532124526	Button Plunger Black
10	532122512	Spring Cprsn 3 750 Oiled
11	532139865	Link Lift LH
12	532139866	Link Lift RH
13	532124670	Retainer Spring
15	532127218	Link Front
16	873350800	Nut Jam Hex 1/2-13 Unc
17	532130171	Trunnion Blk Zinc
18	873800800	Nut Lock W/wsh 1/2-13unc
19	532139868	Arm Suspension Rear
20	532124660	Retainer Spring
21	819151216	Washer 15/32 X 3/4 X 16 Ga
22	812000037	Ring Klip #t5304-37
23	532110807	Nut Special
24	819131016	Washer 13/32 X 5/8 X 16 Ga
25	532124874	Spring 2-1/8"
26	876020308	Pin Cotter 3/32 X 1/2
27	532126971	Rod Adj Lift Zinc 7 49 Wrk Lg
28	873350600	Nut Hex Jam 3/8-16 Unc
29	532138057	Knob Inf 3/8-16 Unc Blk W/sym
30	532110810	Trunnion Dp Stop Dbl Thds PLT
31	532140302	Bearing pvt. Lift Sphencal
32	873540600	Nut Crownlock 3/8-24
33	532140168	Bracket Stop Inf Hgt
34	817490608	Screw Thdtol 3/8-16 x 1/2 Ty-tt
35	532120529	Washer Nylon .44 x .75 x 032
36	532138346	Pointer pnt height ind.
37	532123935	Plug hole Blk 1.485/1.515 Dia
38	817490512	Screw Thdrol 5/16-18 X 3/4
40	819112410	Washer 11/32 x 1-1/2 10 Ga
41	532123934	Scale Ind. Hieght Black

NOTE: All component dimensions given in U.S. inches
1 inch = 25.4 mm

REPAIR PARTS

TRACTOR - MODEL NO. LT140 (HC1442C) PRODUCT NO. 954 00 27-31

DANA TRANSAXLE - MODEL NUMBER 4360-96



REPAIR PARTS

TRACTOR - MODEL NO. LT140 (HC1442C) PRODUCT NO. 954 00 27-31

DANA TRANSAXLE - MODEL NUMBER 4360-96

KEY PART NO. NO.	DESCRIPTION	KEY PART NO. NO.	DESCRIPTION
1 132671	Housing, Upper	39 124639X	Shaft, Idler
2 2274J	Screw, Tapping, Large 1/4-20 x .734	40 120472X	Spacer .633 x .87 x .755
3 134400	Ball, Detent	41 105928X	Sprocket, 9 Teeth
4 105904X	Spring, Detent	42 106605X	Gear, Bevel, 42 Teeth
5 105905X	Screw, Set	43 134394	Assembly, Kit, Shim, .750 Shaft
6 138235	Kit, Shifter Assembly	44 120473X	Shaft, Drive
7 134399	Boot, Shifter	45 106596X	Screw, Tapping, Large 5/16-18 x 1.44
8 120951X	Puck, Friction	46 142678	Gear, Spur, 12 Teeth
9 148266	Bearing, Flange	47 120407X	Gear, Spur, 20 Teeth
10 2225J	Ring, Retaining	48 106589X	Gear, Spur, 25 Teeth
11 134793	Assembly, Kit, Shim, .625 Shaft	49 120408X	Gear, Spur, 28 Teeth
12 143679	Gear, Spur, 15 Teeth	50 105937X	Gear, Spur, 31 Teeth
13 120415X	Washer, Plain .632 x 1.38 x .046	51 2226J	Washer, Plain .632 x 1.00 x .060
14 142674	Key, Woodruff, #9	52 134401	Washer, Neoprene
15 106846X	Assembly, Kit, Input Shaft	53 2264J	Washer, Plain .758 x 1.25 x .031
16 106095X	Pinion, Bevel, 14 Teeth	54 120474X	Axle, L.H.
17 105909X	Ring, Retaining	55 110081X	Gear, Miter, 15 Teeth
18 105910X	Chain, 24 Pitches	56 105941X	Ring, Retaining
19 105911X	Bearing, Flange	57 110071X	Gear, Spur, 32 Teeth
20 142675	Gear, Spur, 14 Teeth	58 120952X	Shaft, Cross
21 148267	Collar, Clutch	59 110082X	Gear, Miter, 15 Teeth
22 138237	Assembly, Kit, Clutch Keys	60 120475X	Axle, R.H.
23 148268	Bearing, Flange	61 142680	Housing, Lower
24 142676	Shaft, Intermediate	62 120961X	Puck, Friction
25 2244J	Key, Woodruff, #61	63 7294J	Disc, Brake
26 105916X	Ring, Retaining	64 108989X	Spacer
27 120470X	Sprocket, 18 Teeth	65 120953X	Jaw, Brake
28 110070X	Spacer	66 120954X	Pin, Dowel
29 142677	Gear, Spur, 37 Teeth	67 134799	Screw, Tapping 5/16-18 x 2.25
30 142681	Gear, Spur, 35 Teeth	68 138244	Lever, Actuating
31 124644X	Gear, Spur, 30 Teeth	69 108996X	Washer, Plain .321 x 1.00 x .055
32 108980X	Gear, Spur, 25 Teeth	70 120956X	Bracket, Anti-Rotation
33 120406X	Gear, Spur, 22 Teeth	71 73810500	Locknut 5/16-24
34 134796	Gear, Spur, 19 Teeth	72 148269	Seal, Oil
35 105925X	Washer, Plain .640 x 1.37 x .061	73 120416X	Grease
36 2232J	Washer, Plain .632 x 1.00 x .026		
37 108978X	Spacer .630 x 1.00 x .169		
38 110079X	Assembly, Gear, Combination, 12 Teeth and 35 Teeth		

NOTE: All component dimensions given in U.S. inches
1 inch = 25.4 mm