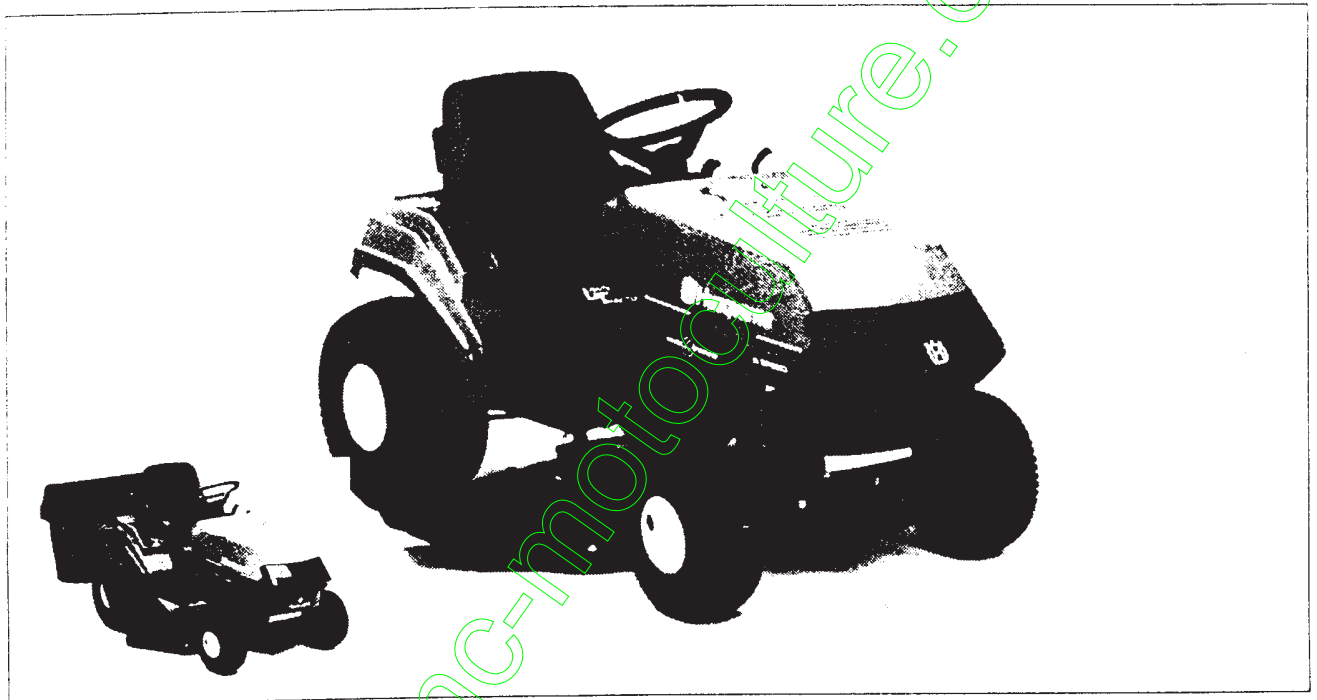


		6
		1994-01

Model LT 4140 G

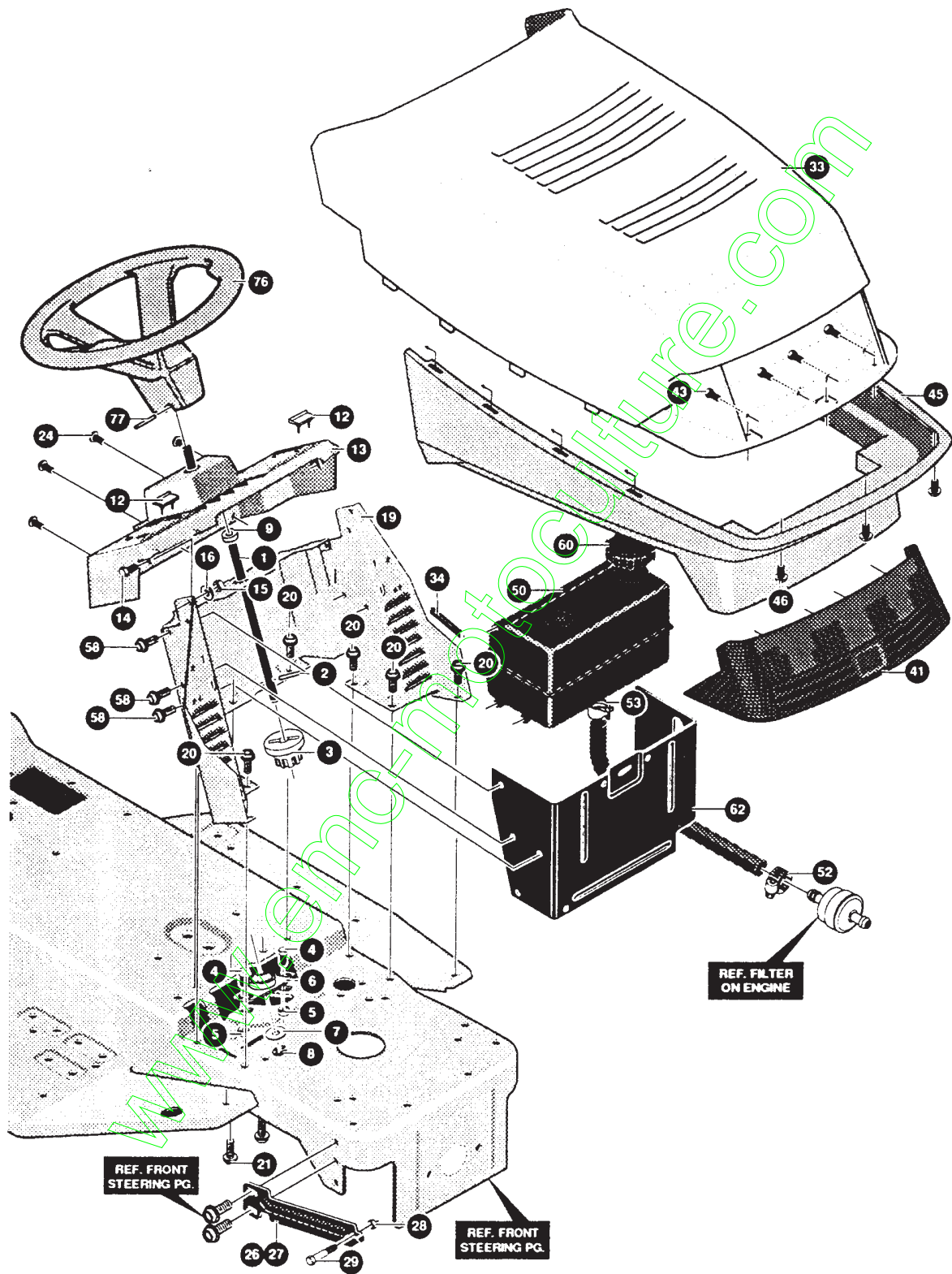


1994

When ordering spare parts from NOMA and AYP you can use the original spare parts list.

The reference numbers from NOMA have prefix 533 (AYP - prefix 532) in Husqvarna parts system.

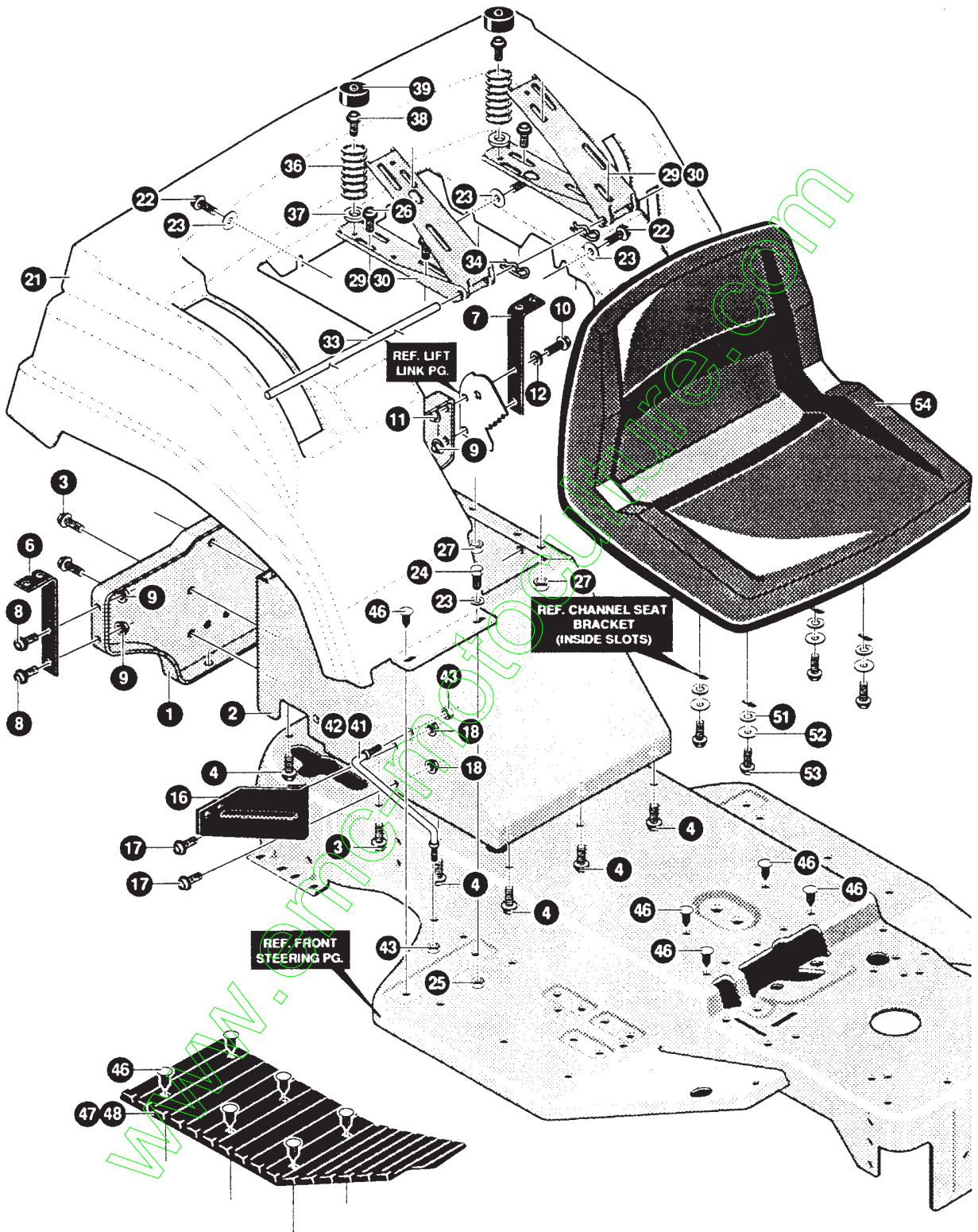
When ordering parts from Sweden special regulations are valid. The spare parts list from Husqvarna, which will be sent out later, then has to be used.



E4014-030 4140G**HOOD ASSEMBLY**

KEY#	PART #	DESCRIPTION	QTY.
1	302307	SHAFT, STEERING EURO LT SHORT	1
2	302524	PIN DOWEL STR ERO LT	1
3	302314	PINION, STEERING	1
4	323731	SCREW, 5/16-24X .75 (TQ 30-35 FT#)	2
5	71100	NUT, 5/16-24 HEXWDFLLK	2
6	302498	BEARING, SFAL .500IDX . ODX .75	1
7	2968	WASHER, FLAT .504X .75X.059	1
8	20864	RING, RET E .39X.04TRU5133-50	1
9 3	03228	BUSHING STR SHFT UPPER	1
12	321810	BUMPER,HOOD/DASH EURO TOP	2
13	331379	DASH, TALL	1
14	180020	SCREW, 1/4-20X .75 HHC	2
15	1502	NUT, 1/4-20 REGHEXCTRLK	2
16	120392	WASHER, FLAT .281X .63X.065	2
19	302331-830	DASH, LOWER	1
20	35497	SCREW, 5/16-18X .50 WAHTAP	8
21	45263	SCREW, 5/16-18X .37 WAHTAP	2
23	995346	SCREW, 1/4-20X .50 WAHTAP	2
24	305850	SCREW, 1/4-20X .50PHPNTAP	4
26	308898-853	BRACKET, HOOD RH	1
27	308897-853	BRACKET, HOOD LH	1
28	1498	NUT, 5/16-18 REGHEXCTRLK	2
29	25086	BOLT, .500X .375 HSH 5/16-18	2
33	332133	HOOD, UPPER	1
34	52151	EDGING, WIDE BLK	78"
41	306858	LENS, SMOKED GREY	1
43	300302	SCREW, #10 X .50 HHTAPPST	4
45	331184	GRILLE	1
46	318304	SCREW, 1/4-14X .75PHPNHTAP	3
50	305820	ASSY GAS TANK 1.5 GAL	1
52	47345	CLAMP, FUEL LINE	1
53	47345	CLAMP, HOSE SCREW TYPE	1
58	300303	SCREW, .25X .75X 51HHWAPLASTITE	6
60	12501	CAP, FUEL 2.5" THROAT	1
62	324795-853	HEAT SHIELD ERO 1.5 & 3 GAL	1
76	330847	STEERING WHEEL	1
77	456378	PIN, SPRING 250DIA X 2.00LG HVPL	1

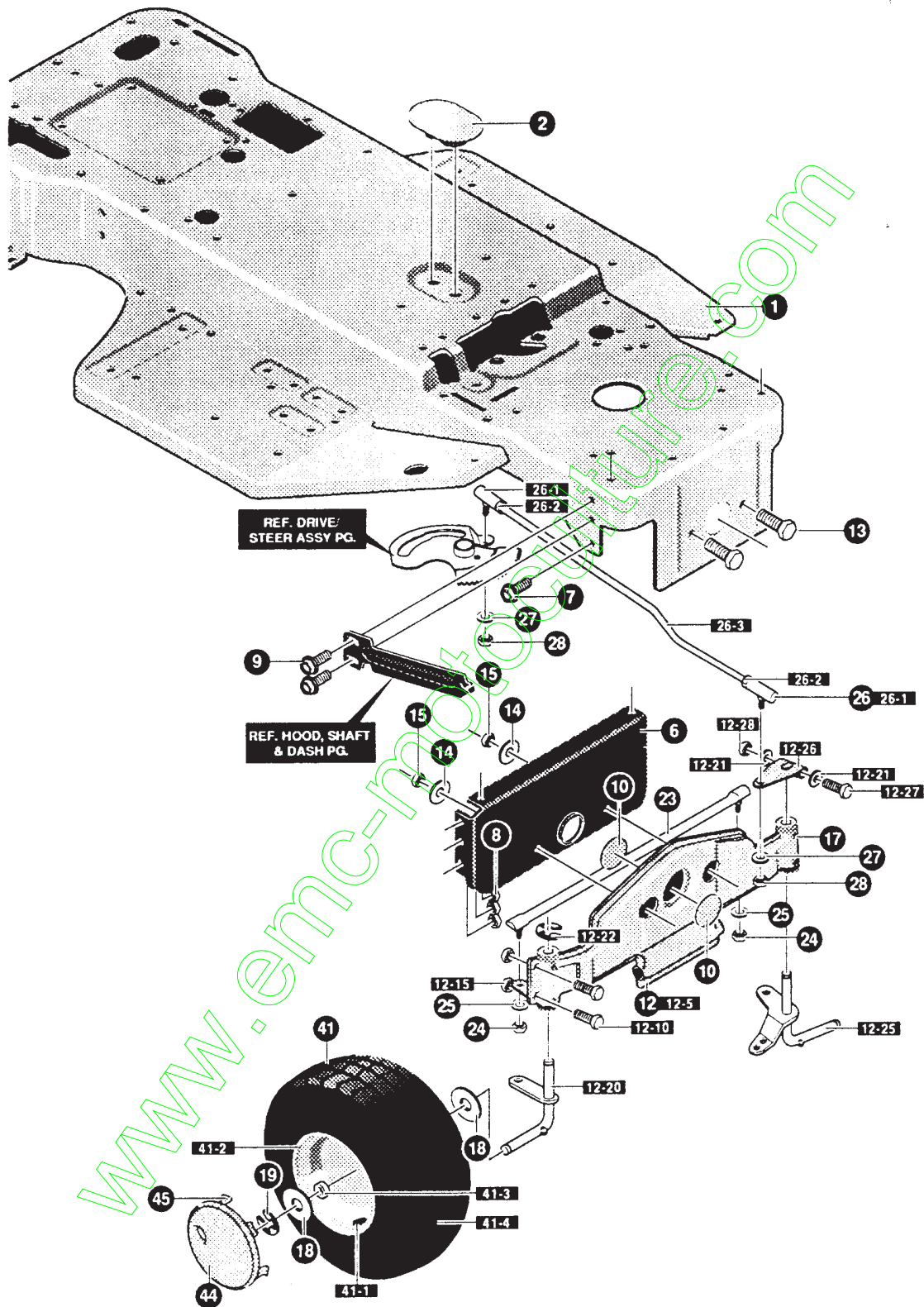
www.emc-motorsculture.com



E4014-030 4140G FENDER SEAT R. CHASSIS ASSEMBLY

KEY #	PART #	DESCRIPTION	QTY.
1	322068-830	SEAT SUPPORT ELECTRIC LIFT	1
2	322069-830	SUPT.FENDER&SEAT ELECT/LIFT	1
3	35498	SCREW, 5/16-18X .75 WAHTAP	5
4	35497	SCREW, 5/16-18X .50 WAHTAP	10
6	306399	SUPPORT FENDER RIGHT	1
7	306397	SUPPORT FENDER LEFT	1
8	56030	SCREW, 5/16-18X.75WDFLLK	3
9	55273	NUT, 5/16-18 HXWDFLLK	3
10	180020	SCREW, 1/4-20X .75 HHC	1
11	51335	NUT, 1/4-20 WDFLWHIZ-LK	1
12	120385	WASHER, FLAT .250X.56X.049	1
16	305381	SUPPORT, SHIFT PLATE	1
17	56030	SCREW, 5/16-18X.75WDFLLK	2
18	55273	NUT, 5/16-18 HXWDFLLK	2
21	310576	FENDER,EURO F-10 GT MOLD GREY	1
22	44811	SCREW, 1/4-20X .75 WAHTAP	6
23	1084	WASHER, FLAT .281X1.00X.063PL	8
24	180020	SCREW, 1/4-20X .75 HHC	2
25	1502	NUT, 1/4-20 REGHEXCTRLK	2
26	56030	SCREW, 5/16-18 HXWDFLLK	4
27	1498	NUT 5/16-18 REGHEXCTRLK	4
29	302897-830	CHANNEL SEAT RH	2
30	305424-830	CHANNEL SEAT LH	2
33	304481	ROD, SEAT SUPPORT BRZN	1
34	36368	PIN, HAIR .072 DIA X1.13LG	2
36	305520	SPRING, SEAT 1.50ODX2.25LG	2
37	120393	WASHER, FLAT .344X.69X.065	2
38	35498	SCREW, 5/16-18X .75 WAHTAP	2
39	56907	COVER, SEAT SPRING 1.51DX1.0LG	2
41	319388	SUPPORT,FOOTREST STIFNR RH ZPL	1
42	319387	SUPPORT,FOOTREST STIFNR LH ZPL	1
43	1498	NUT, 5/16-18 REGHEXCTRLK	4
46	309235	FASTENER, RATCHET BLACK	18
47	314888	FOOT PAD, ASSYRH ERO W/ADH	1
48	314889	FOOT PAD, ASSYLH ERO W/ADH	1
51	120393	WASHER, FLAT .344X.69X.065	4
52	120638	WASHER, HVSP TLK .328X.60X.09	4
53	180077	SCREW, 5/16-18X .75 HHC	4
54	310384	SEAT, W/SW HOLE	1

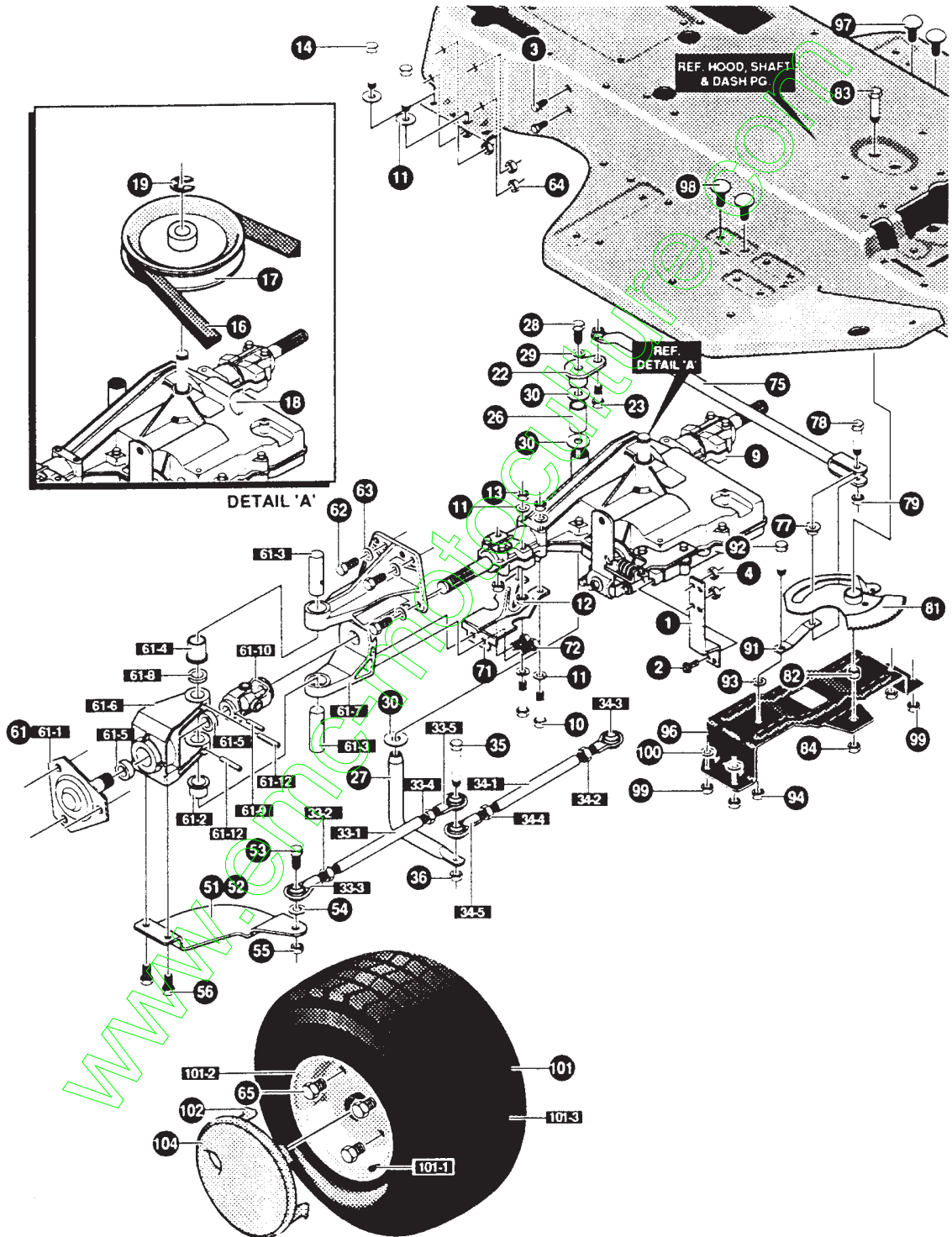
www.emc-structure.com



E4014-030 4140G

STEERING ASSEMBLY

KEY#	PART#	DESCRIPTION	QTY
1	331674-830	FRAME, EURO	1
2	305280	COVER, SECTOR BOLT PLAS GREY	1
6	302321-853	BRACKET, FRONT AXLE SUPPORT	1
7	56030	SCREW, 5/16-18X.75WDFLLK	2
8	55273	NUT, 5/16-18 HXWDFLLK	6
9	53652	SCREW, 5/16-18X.75 HXWDFL	4
10	307112	PLUG, FRONT AXLE 1.938DIA X .062"	2
12	^	SUB-ASSY FR AX ERO LT SHORT	1
12-5	310670	AXLE, ASSY FRONT WELD BLK	1
12-10	180077	SCREW, 5/16-18X .75 HHC	4
12-15	1498	NUT, 5/16-18 REGHEXCTRLK	4
12-20	305340	ASSY SPDLE RH EROLT	1
12-21	996416	WASHER, FLAT 391X1.00X.125	2
12-22	36625	RING, RETEX .57X.05TRU5133-75	1
12-25	305339	ASSY SPDLE LH EROLT	1
12-26	317019	ARM STEERING UPPER BLACK	1
12-27	180134	SCREW, 3/8-16X2.50 HHC	1
12-28	1499	NUT, 3/8-16 REGHXCTRLK	1
13	180138	SCREW, 3/8-16X3.00 HHC	2
14	2483	WASHER, 39ID X 1.25DX .07 BELLVIL	2
15	1499	NUT, 3/8-16 REGHXCTRLK	2
17	706	ZERK, GREASE FITTING	4
18	642	WASHER, FLAT .755X1.31X.075	4
19	36625	RING, RETEX .57X.05TRU5133-75	2
23	300328	TIE ROD .625DIA GRND ENGAGER	1
24	120369	NUT, 3/8-24 REGHEX	2
25	120382	WASHER, REGSPTLK 393X.68X.10	2
26	302908	LINK, ASSY .625DIA DRAG LT 4WS	1
26-1	57158	BALL JOINT 3/8 THD SHORT STUD	2
26-2	124925	NUT, 3/8-24 REGHEXJAM	2
26-3	302907	LINK, .625DIA DRAG LT 4WS	1
27	120382	WASHER, REGSPTLK 393X.68X.10	2
28	124925	NUT, 3/8-24 REGHEXJAM	2
41	321515	TIRE & RIM, PU 15X6.0X6 WHI	2
41-1	24167	VALVE STEM	
41-2	321516	RIM, WHEEL	
41-3	314416	BEARING, FL	
41-4	316702	TIRE 15X6.00X6	
44	304444	HUB CAP, 6" EURO GREY	2
45	306669	CLIP, HUBCAP TINN #C25467-017-4	8



NOTE: ALWAYS USE ORIGINAL EQUIPMENT PARTS. Use of service/replacement parts other than original equipment parts may void your warranty.

ALL UNNUMBERED ITEMS ARE INTERCHANGEABLE WITH OPPOSITE SIDE

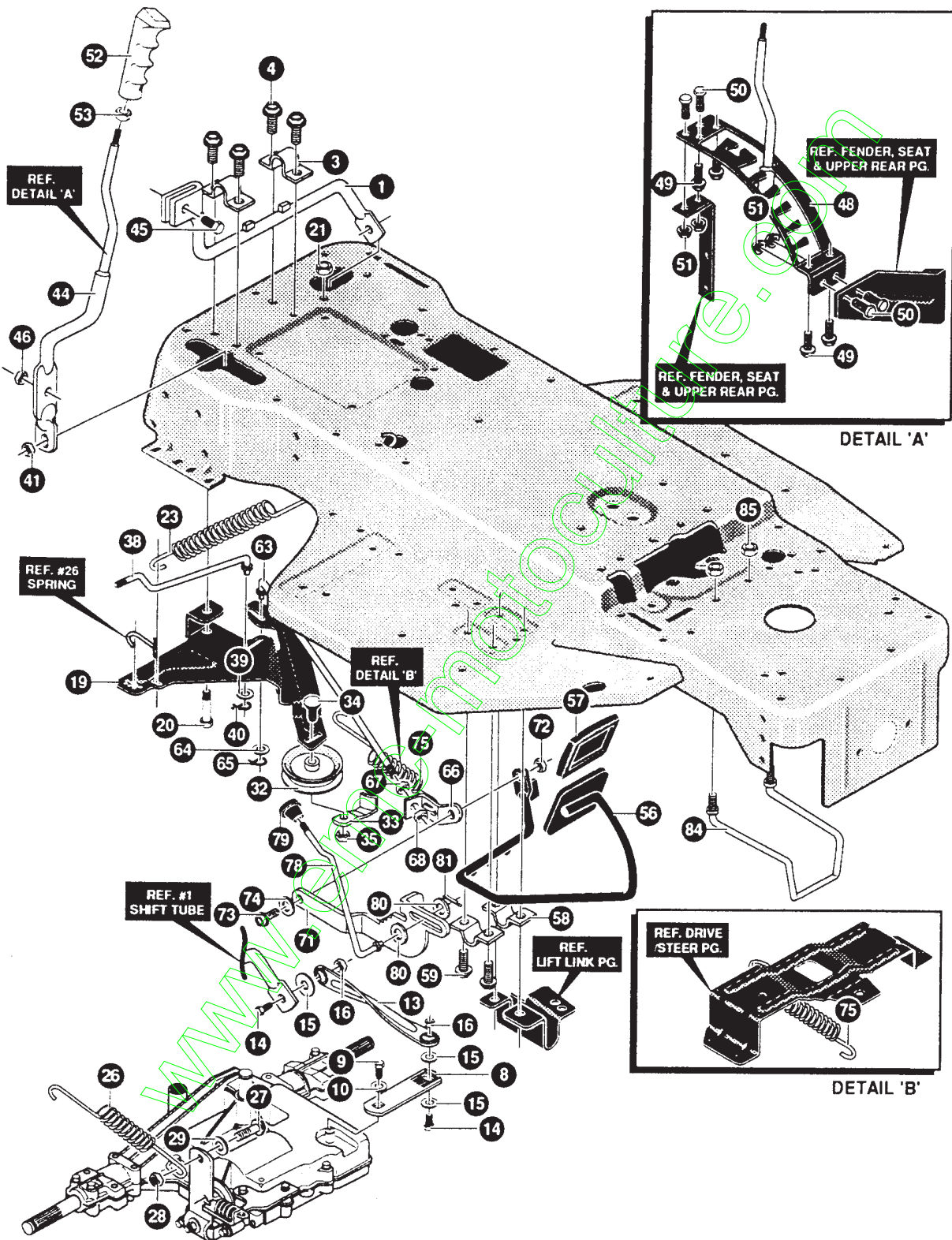
325738D

E4014-030 4140G

DRIVE/STEER ASSEMBLY

KEY #	PART #	DESCRIPTION	QTY
1	321382-934	BRACKET, STABILIZER EURO	1
2	35498	SCREW, 5/16-18X .75 WAHHTAP	1
3	180077	SCREW, 5/16-18X .75 HHC	2
4	1498	NUT, 5/16-18 REGHEXCTRLK	2
9	*	TRANSAXLE, 6SP4WSP930-036	1
10	180091	SCREW, 5/16-18X2.50 HHC	4
11	120393	WASHER, FLAT .344X .69X.065	12
12	44108	NUT, 5/16-18 HWDFLCTRLK	4
13	1498	NUT, 5/16-18 REGHEXCTRLK	4
14	180091	SCREW, 5/16-18X2.50 HHC	4
16	303241	BELT, V 4L 90.00 LG	1
17	303109	PULLEY, 6.6 OD V4L T/A	1
18	50795	KEY, HI-PRO 606 .75DIA X.187WD	1
19	22053	RING, RETEX .58X.035TRU5100-62	1
22	308719	PIVOT, STEERING	1
23	12319	BOLT, .562X .340 HSH 3/8-24	1
26	304115	SPACER, STEERING SHAFT	1
27	308720	SHAFT, STEERING PIVOT (ZN)	1
28	421051	SCREW, 5/16-24X1.00 HHC	1
29	45602	WASHER, FLAT .333X .87X.119	1
30	25177	WASHER, FLAT .765X1.19X.048	3
33	323634	TIE ROD, ASSYRH EURO 4WS & LF STD	1
33-1	308447	ROD, TIE 1/2"D X 8.12LG	1
33-2	308399	NUT, 3/8-24 LH THD REGHJAM	1
33-3	308384	BALL JOINT LH 3/8-24	1
33-4	124925	NUT, 3/8-24 REGHEXJAM	1
33-5	304260	BALL JOINT RH 3/8-24	1
34	323635	TIE ROD, ASSYLH EURO 4WS & LF STD	1
34-1	308446	ROD, TIE 1/2"D X 9.75LG	1
34-2	308399	NUT, 3/8-24 LH THD REGHJAM	1
34-3	308384	BALL JOINT LH 3/8-24	1
34-4	124925	NUT, 3/8-24 REGHEXJAM	1
34-5	304260	BALL JOINT, RH 3/8-24	1
35	181646	SCREW, 3/8-24X1.75 HHC	1
36	412349	NUT, 3/8-24 HXCTRLK	1
51	304120-853	ARM REAR WHL STR (FER) R.H	1
52	304121-853	ARM, REAR WHEEL, STEER L.H	1
53	181639	SCREW, 3/8-24X1.25 HHC	2
54	120382	WASHER, REGSRTLK .393X.68X .10	2
55	412349	NUT, 3/8-24 HXCTRLK	2
56	47792	SCREW, 3/8-16X1.00 WAHHTAP	4
61	323743	U-JOINT, ASS'Y 4 WS LT DUTY	2
61-1	12280-830	HUB ASSEMBLY	1
61-2	324578	BEARING, FLSH .752IDX .937ODX.75	1
61-3	12289	PIN, STEERING HINGE	2
61-4	324578	BEARING, FLSH .IDX .ODX	1
61-5	12325	BEARING, BALL 6203-2AA-3/4	2
61-6	12465	BRACKET, STEERING PIVOT	1
61-7	12466	BRACKET, STR PIVOT	1
61-8	21682	WASHER, FLAT .765X1.25X.042PL	1
61-9	36311	PIN, GROOVED .250 DIA X1.50LG	1
61-10	320531	U-JOINT ASSEMBLY W/ZERK (LONG)	1
61-12	456722	PIN, SPRING .250DIA X1.50LG HVPL	2
62	180079	SCREW, 5/16-18X1.00 HHC	8
63	120393	WASHER, FLAT .344X .69X.065	8
64	1498	NUT, 5/16-18 REGHEXCTRLK	8
65	181683	SCREW, 1/2-20X .50 HHC	6
71	303222-853	BRACKET X-AXLE MTG 4WS	2
72	35498	SCREW, 5/16-18X .75 WAHHTAP	4
75	302593	ROD R WHL STR 4WS(930-6)	1
77	304116	CAM YOKE ROLLER	1
78	304122	BOLT, .625 X1.175HSH	1
79	274654	NUT, 1/2-20 REGHXCTRLK	1
81	302877	ASSY SECTOR GEAR 4WS	1
82	302878	BEARING, SLEV .IDX .ODX	1
83	181709	SCREW, 1/2-20X2.50 HHC	1
84	274654	NUT, 1/2-20 REGHXCTRLK	1
91	302594	FOLLOWER, ROLLER	1
92	302588	BOLT, .265X .800 HSH 3/8-24	1
93	446363	WASHER, FLAT .375X .88X.082	1
94	412349	NUT, 3/8-24 HXCTRLK	1
96	302583-853	PLATE, PIVOT STEERING EURO	1
97	35497	SCREW, 5/16-18X .50 WAHHTAP	2
98	35498	SCREW, 5/16-18X .75 WAHHTAP	2
99	1498	NUT, 5/16-18 REGHEXCTRLK	4
100	446363	WASHER, FLAT .375X .88X.082	2
101	304259	TIRE & RIM, 20X10.00-8 TURF 661	2
	24167	VALVE STEM	2
	12467	RIM, WHEEL	2
	319686	TIRE, 20X10.00-8	2
102	306669	CLIP, HUBCAP TINN #C25467-017-4	10
104	306570	HUB CAP, 8" EURO	2

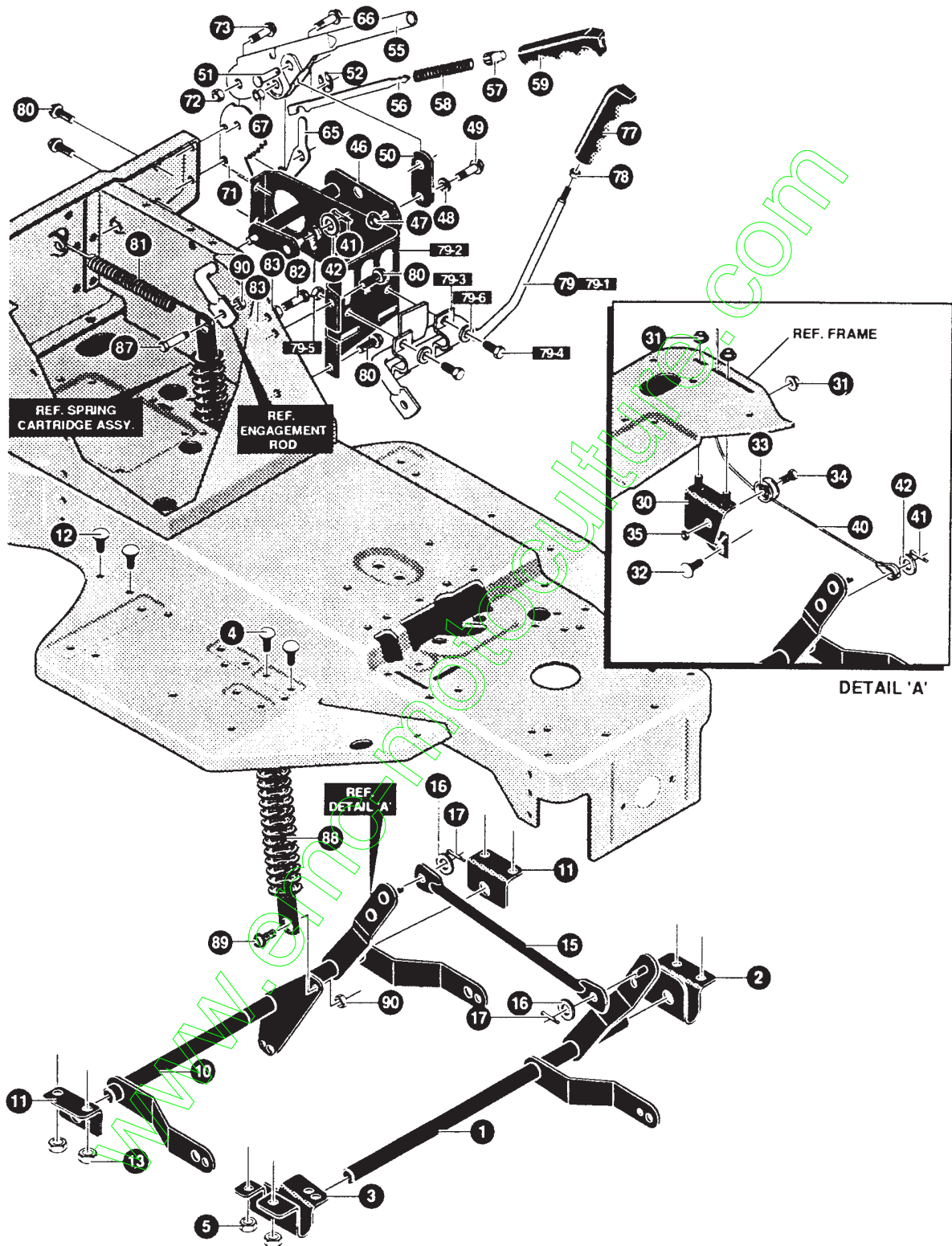
* CONTACT YOUR NEAREST TRANSAXLE DEALER FOR PARTS AND SERVICE.



E4014-030 4140G

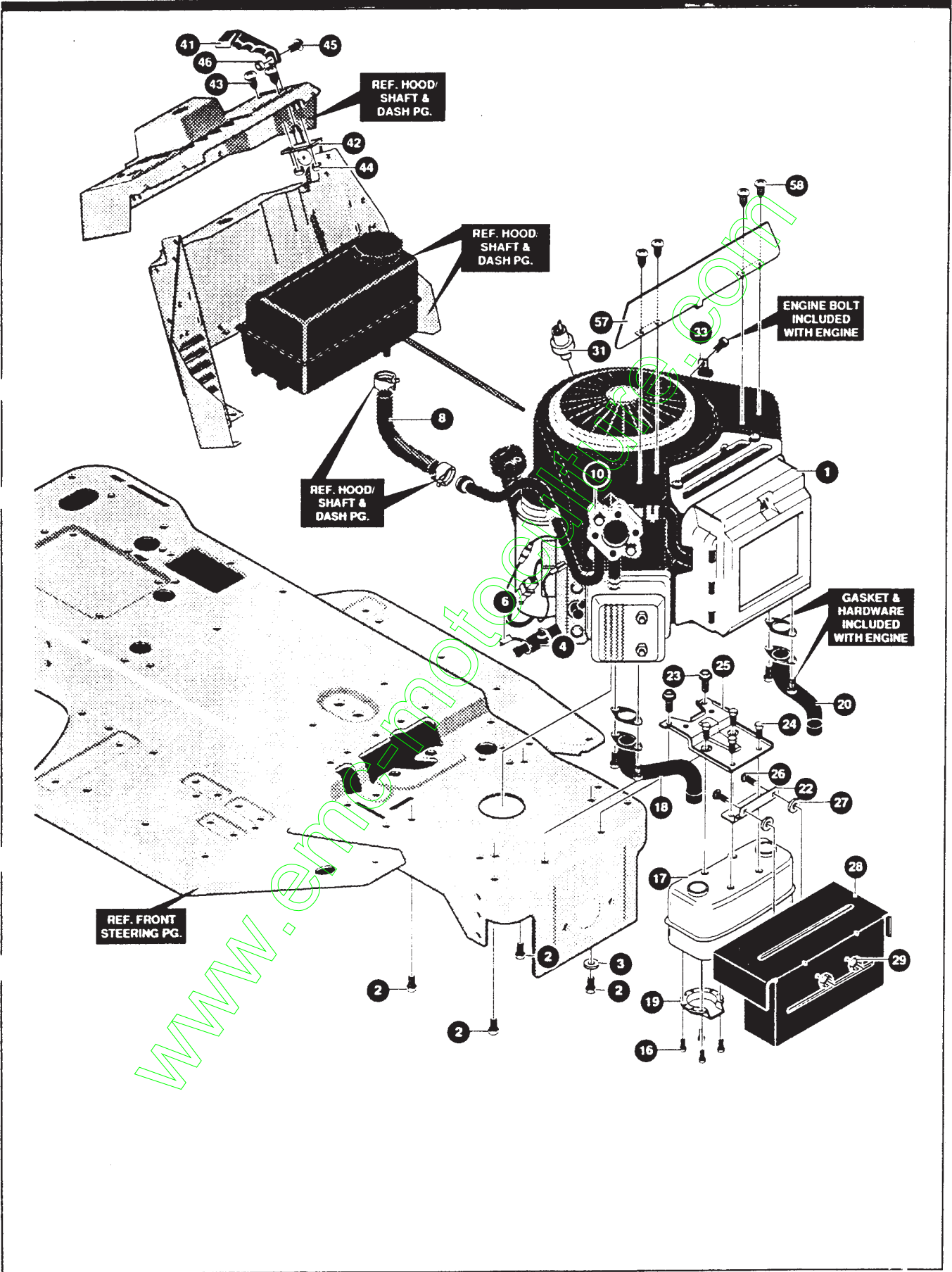
SHIFT DRIVE ASSEMBLY

KEY#	PART#	DESCRIPTION	QTY
1	321421	TUBE ASSY, SHIFT BLACK 173	1
3	302538	CLIP, SHIFT LEVER	2
4	35497	SCREW, 5/16-18X .50 WAHTAP	4
8	302582	LEVER, TRANS SHIFT	1
9	56255	SCREW, 1/4-28X .75 NYLHHC	1
10	57157	WASHER, .750X.250 SP-TRANSAXLE	1
13	309546	LINK, TIE ROD SHIFT 7.812C/L	1
14	180124	SCREW, 3/8-16X1.25	2
15	120394	WASHER, FLAT .406X .81X.065	2
16	1499	NUT, 3/8-16 REGHXCTRLK	2
19	304049	ARM IDLER	1
20	51189	BOLT, .500X1.280 HSH 3/8-16	1
21	1499	NUT, 3/8-16 REGHXCTRLK	1
23	304209	SPRING, CLUTCH	1
26	304130	SPRING, BRAKE 1.000DX3.12X.120	1
27	25086	BOLT, .500X .375 HSH 5/16-18	1
28	1498	NUT, 5/16-18 REGHEXCTRLK	1
29	308188	WASHER, FLAT .515X1.31X.09	1
32	40223	PULLEY, IDLER BFF	1
33	304105	BELT RETAINER	1
34	57325	BOLT, 3/8-16X2.00 CARRSN	1
35	45171	NUT, 3/8-16 HWDFL WHIZ-LOCK ZN	1
38	304083	ROD, SHIFT-ON-THE-GO	1
39	120394	WASHER, FLAT .406X .81X.065	1
40	36368	PIN, HAIR .072 DIA X1.13LG	1
41	71046	NUT, 3/8-16 HEXNYL	1
44	304025-853	TUBE ASSY, SHIFT PIVOT	1
45	304086	BOLT, .375X.400 1/4-20X.47	1
46	1502	NUT, 1/4-20 REGHEXCTRLK	1
48	305382-830	QUADRANT, SHIFT P930-6SP ERO	1
49	300302	SCREW #10 X .50 HHTAPPST	4
50	180020	SCREW, 1/4-20X .75	4
51	51335	NUT, 1/4-20 WDFLWHIZ-LK	4
52	304728	HANDLE, 3/8-16 MOLDED	1
53	120377	NUT, 3/8-16 REGHX	1
56	302319-853	WELD ASSY CL/BR ARM	1
57	302335	PAD, CLUTCH/BRAKE MOLD W/L	1
58	313271	BRACKET CL/BR ARM	2
59	35497	SCREW, 5/16-18X .50 WAHTAP	2
63	304212	ROD, CLUTCH	1
64	120392	WASHER, FLAT .281X .63X.065	1
65	121223	PIN, COTTER .062 DIA X .75LG	1
66	304125	BRACKET, BRAKE ROD	1
67	271184	NUT, 5/16-18 HEXKEPS	1
68	1498	NUT, 5/16-18 REGHEXCTRLK	1
71	304208	LEVER, PARK BRAKE	1
72	1498	NUT, 5/16-18 REGHEXCTRLK	1
73	25086	BOLT, .500X .375 HSH 5/16-18	1
74	30289	WASHER, WAVE .50 ID	1
75	35410	SPRING .071 X .62 X 4.37	1
78	304217	ROD, PARKING BRAKE	1
79	304367	KNOB, PARK BRAKE BLK853	1
80	120385	WASHER, FLAT .250X .56X.049	2
81	121223	PIN, COTTER .062 DIA X .75LG	1
84	310162	GUIDE, BELT 820 TRANSAXLE	1
85	1498	NUT, 5/16-18 REGHEXCTRLK	2



KEY #	PART #	DESCRIPTION	QTY
1	302379-853	SHAFT, ASSY FRONT LIFT EURO	1
2	304967-853	BRACKET, FRONT HANGER RH	1
3	302338-853	BRACKET, FRONT HANGER LH	1
4	180077	SCREW, 5/16-18X .75 HHC	4
5	1498	NUT, 5/16-18 REGHEXCTRLK	4
10	302206-853	SHAFT, ASSY REAR LIFT	1
11	302360-853	BRACKET, REAR HANGER EURO	2
12	180077	SCREW, 5/16-18X .75 HHC	4
13	1498	NUT, 5/16-18 REGHEXCTRLK	4
15	302380	ROD, TIE	1
16	120394	WASHER, FLAT .406X .81X.065	2
17	121222	PIN, COTTER .090 DIA X .75LG	2
30	303230	ASSY.PULLEY BRKT	1
31	55273	NUT, 5/16-18 HXWDFLLK	3
32	57072	BOLT, 5/16-18X .63 CARR	1
33	48306	PULLEY, POWDER METAL	1
34	305522	BOLT, .375X .700 HSH 5/16-18	1
35	1498	NUT, 5/16-18 REGHEXCTRLK	1
40	303227	CABLE, DECK LIFT	1
41	121222	PIN, COTTER .090 DIA X .75LG	2
42	120393	WASHER, FLAT .344X .69X.065	2
46	302205	ASSY, UPPER SHAFT	1
47	1498	NUT, 5/16-18 REGHEXCTRLK	1
48	45602	WASHER, FLAT .333X .87X.119	1
49	36149	BOLT, .375X .500 HSH 5/16-18	1
50	302357	LINK	1
51	300310	PIN, CLEVIS .310DIA+.475LG	1
52	300311	RING, RET E .31X 25TRUX5133-31	1
55	58332-853	HEIGHT LEVER	1
56	58330	ROD, ACTUATOR	1
57	58325	KNOB, HEIGHT ADJ PUSH BUTTON	1
58	58326	SPRING, HEIGHT ADJUST	1
59	304730	GRIP, HAND .74IDX5.15	1
65	301239	PAWL, SQUARE	1
66	300171	BOLT, .500X .270 HSH 5/16-18	1
67	44108	NUT, 5/16-18 HWDFLCTRLK	1
71	302383	QUADRANT	1
72	1498	NUT, 5/16-18 REGHEXCTRLK	1
73	300171	BOLT, .500X .270 HSH 5/16-18	1
77	304729	HANDLE, 1/2-13	1
78	120238	NUT, 1/2-13 HEXJAM	1
79	307385-853	ASSY BRKT & ENGAGE HAND	1
79-1	306391	ASSY, ENGAGEMENT ROD	1
79-2	302208	BRACKET, SUPPORT ENGAGE	1
79-3	312701	CLIP	2
79-4	180016	SCREW, 1/4-20X .50 HHC	2
79-5	1502	NUT, 1/4-20 REGHEXCTRLK	2
79-6	120385	WASHER, FLAT .250X .56X.049	2
80	35497	SCREW, 5/16-18X .50 WAHHTAP	4
81	305306	SPRING, TENSION	1
82	180134	SCREW, 3/8-16X2 50 HHC	1
83	271190	NUT, 3/8-16 HEXKEPS	2
87	305989	BOLT, .437X .43 HSH	1
88	304448	ASSY SPRING CARTRIDGE	1
89	20507	BOLT, .437X .156 HSH 5/16-18	1
90	1498	NUT, 5/16-18 REGHEXCTRLK	2

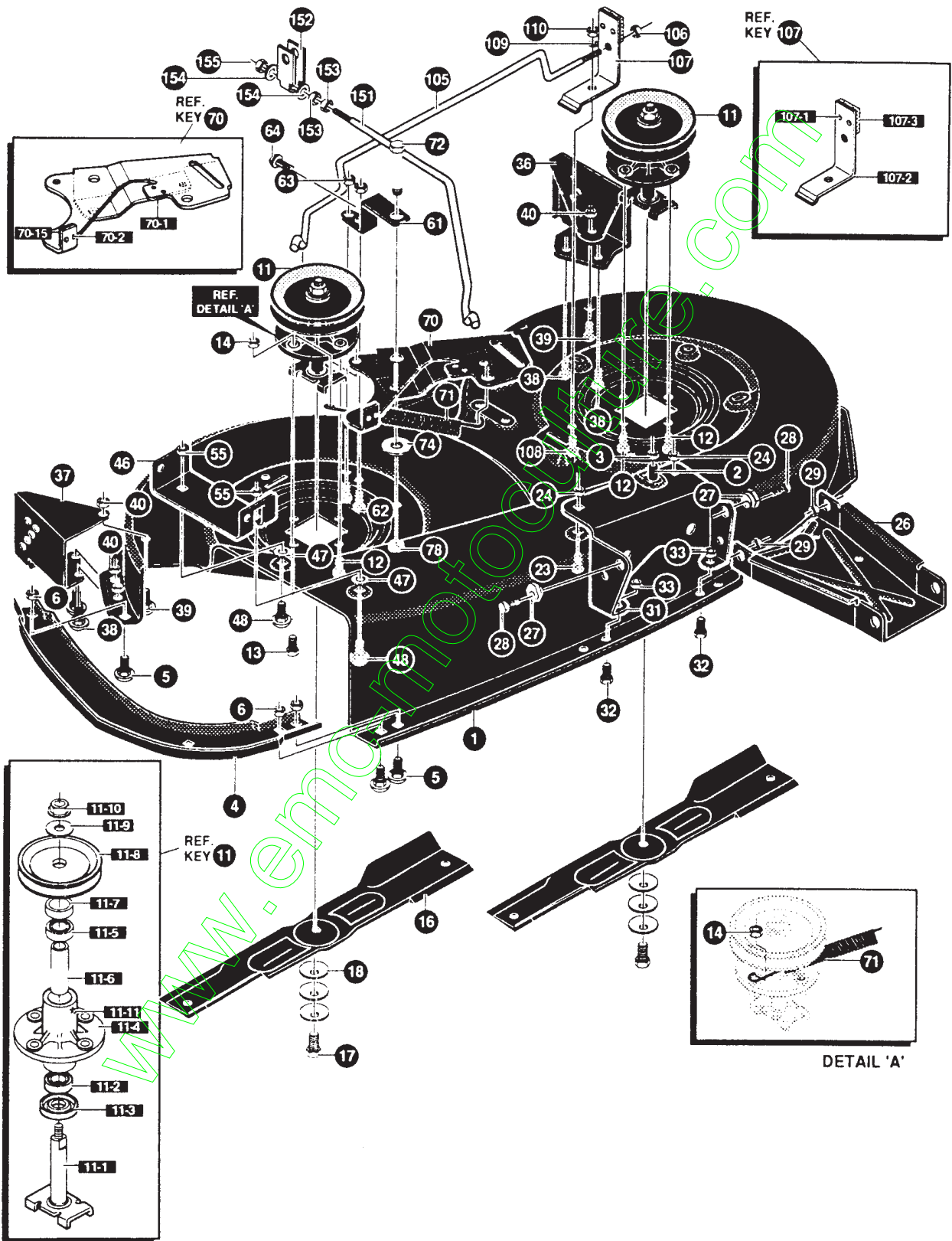
www.enr.com



E4014-030 4140G**ENGINE & CONTROL ASSEMBLY**

KEY #	PART #	DESCRIPTION	QTY.
1	ENGINE	14-16HP VANGUARD (SEE ENGINE MANUAL)	1
2	50947	SCREW, 3/8-16X1.25 WAHHTAPBLKP	4
3	138489	WASHER, EXLK .384X.69X.04	1
4	307174	NIPPLE 3/8-18 NPT X 4"	1
6	47828	CAP. PIPE 3/8-18	1
8	47452	TUBING, .25X.50X BULK GAS LINE	10 IN.
10	315599	REGULATOR, VOLTAGE W/O SENSOR	1
16	35287	SCREW, #8-32X .38 HHWATAP	4
17	305553	MUFFLER 14/18 TWIN NLSN 22785C	1
18	305554	EXHAUST TUBE 15HP RH B&S VANG	1
19	56472	DEFLECTOR SIDE OUT (BS222573)	1
20	305555	EXHAUST TUBE 15HP LH B&S VANG	1
22	9796	BRACKET, TRANSAXLE	1
23	35497	SCREW, 5/16-18X .50 WAHHTAP	2
24	44811	SCREW, 1/4-20X .75 WAHHTAP	4
25	304709-853	BRACKET, MUFFLER	1
26	57072	BOLT, 5/16-18X .63 CARR	2
27	309436	PUSHNUT, 5/16 BOLT RETAINER	2
28	320922-853	SHIELD, MUFFLER HEAT TWIN	1
29	55273	NUT, 5/16-18 HXWDFLLK	2
31	314797	OIL SENSOR, B&S TWIN CYL	1
33	57569	RETAINER, .31IDX.62X.03 WIRE	1
41	304439	KNOB, THROTTLE CONTROL	1
42	307362	THROTTLE CONTROL	1
43	320553	SCREW, 10-24X.63PHPNMA	2
44	308459	NUT, #10-24 HXHDNYLK	2
45	159585	SCREW, #8-32X .38 PHPNMA	1
46	120622	NUT, #8-32 REGHEX	1
57	321306-853	HEAT SHIELD V/G	1
58	57366	SCREW, 10-16X .50 DRILLTITE	4

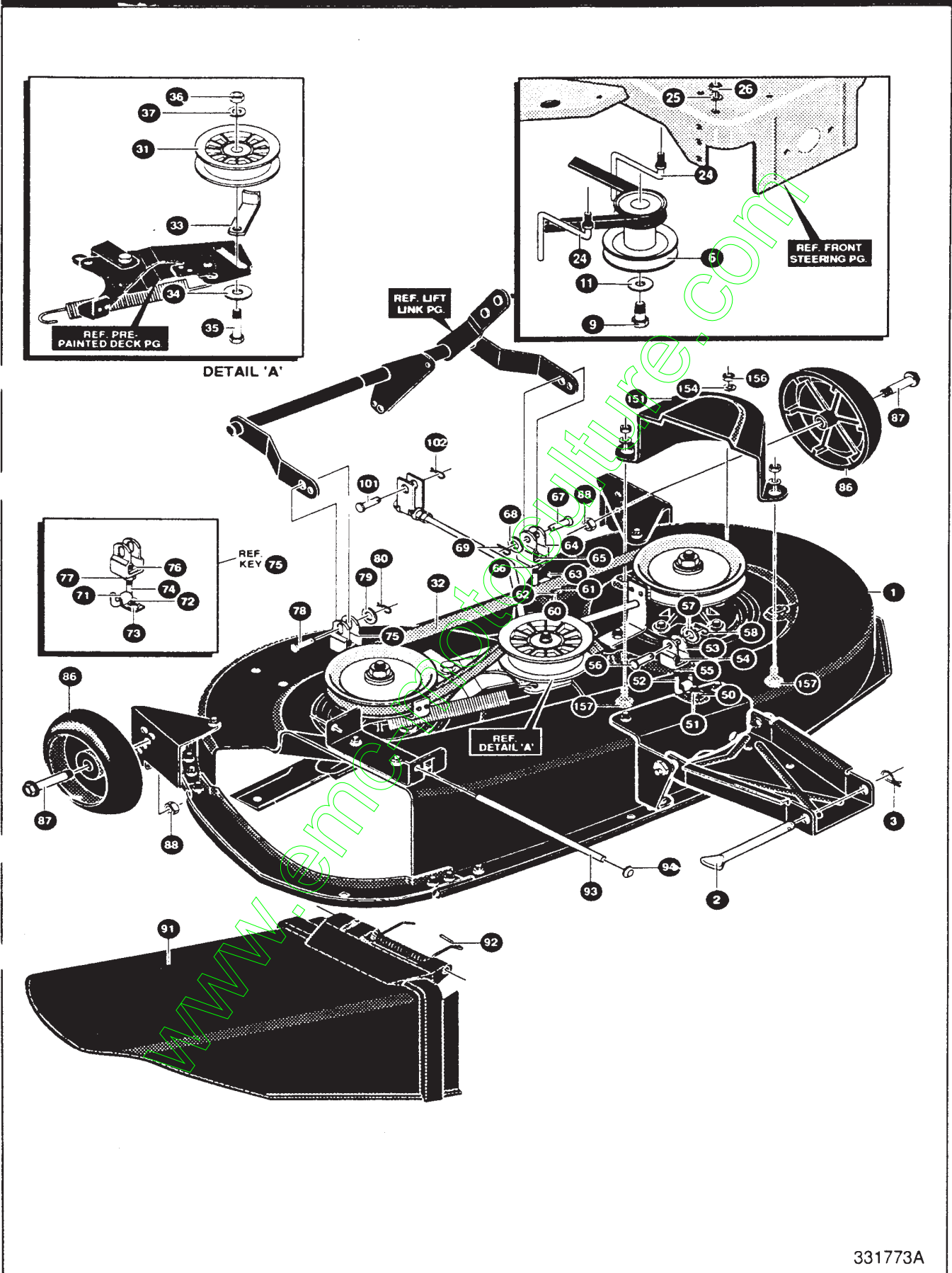
www.emc-motoculture.com



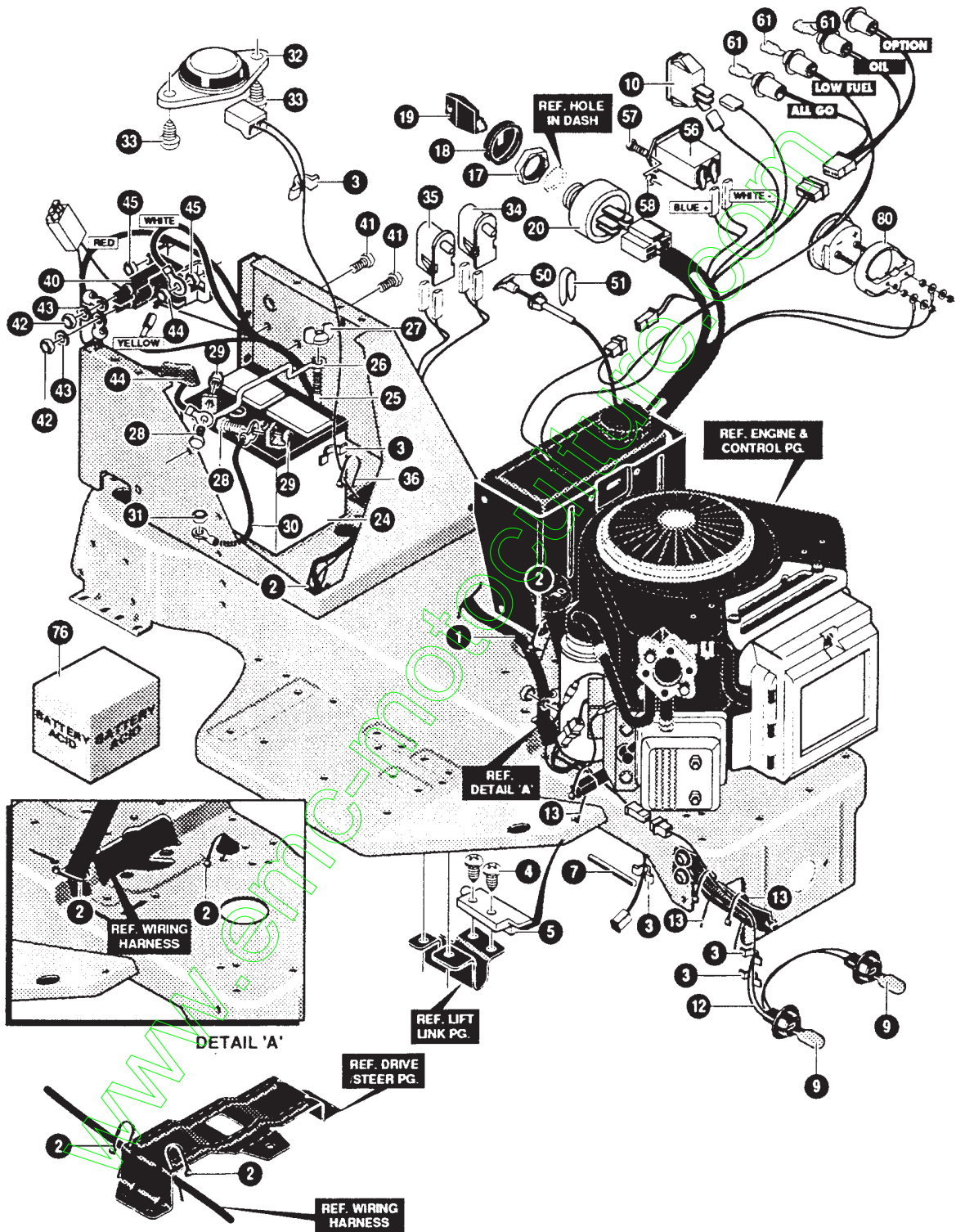
E4014-030 4140G

PRE-PAINTED DECK ASSEMBLY

KEY #	PART #	DESCRIPTION	QTY.
1	325103	40 DECK KIT	1
2	180077	SCREW, 5/16-18X .75 HHC	1
3	1498	NUT, 5/16-18 REGHEXCTRLK	1
4	326480	TOE GUARD - MULCHER	1
5	57072	BOLT, 5/16-18X .63 CARR	3
6	1498	NUT, 5/16-18 REGHEXCTRLK	3
11	317705	QUILL 36/39/40/43 W/ZERKS	2
11-1	56425	SHAFT/SADDLE 36"	1
11-2	1255	BRNG. BALL 6203-A-C3 (SEAL)	1
11-3	50616	DUST SHIELD	1
11-4	50702	QUILL HSG. EXP	1
11-5	49562	BRNG. BALL 6203-2AA(SEALS)-C3	1
11-6	50818	SPACER, SLEV .669X .88X3.797	1
11-7	51449	SPACER, SLEV .672X .93X .438PM	1
11-8	313898	PULLEY, 26/36" QUILL V5L	1
11-9	56365	WASHER, SPECIAL QUILL	1
11-10	1282	NUT, 7/16-20 WDFLLK	1
11-11	706	ZERK, GREASE FITTING	1
12	35498	SCREW, 5/16-18X .75 WAHHTAP	7
13	300345	SCREW, 5/16-18X1.38 WAHHTAP	1
14	1498	NUT, 5/16-18 REGHEXCTRLK	1
16	313316	BLADE, 40" STD-LIFT 20.32	2
17	39573	SCREW, 3/8-24X1.00 NYLHHC	2
18	2483	WASHER, .391DX1.25DX .07 BELL VIL	6
23	57072	BOLT, 5/16-18X .63 CARR	2
24	1498	NUT, 5/16-18 REGHEXCTRLK	2
26	310800	CHANNEL DRAWBAR 40 EURO	1
27	58247	NUT, ADJUST	2
28	180079	SCREW, 5/16-18X1.00 HHC	2
29	1498	NUT, 5/16-18 REGHEXCTRLK	2
31	312342	BRACKET FRT	1
32	180077	SCREW, 5/16-18X .75 HHC	2
33	1498	NUT, 5/16-18 REGHEXCTRLK	2
36	317041	BRACKET GAGE WHEEL L.H.	1
37	317018	BRACKET, GUAGE WHEEL RH	1
38	180077	SCREW, 5/16-18X .75 HHC	4
39	57072	BOLT, 5/16-18X .63 CARR	2
40	1498	NUT, 5/16-18 REGHEXCTRLK	6
46	317017	BRACKET CHUTE MOUNT	1
47	120395	WASHER, FLAT .469X .92X.065	2
48	57072	BOLT, 5/16-18X .63 CARR	2
55	1498	NUT, 5/16-18 REGHEXCTRLK	2
61	326893	BRACE IDLER SUPPORT 40", 43"	1
62	180077	SCREW, 5/16-18X .75 HHC	2
63	44108	NUT, 5/16-18 HWDFLCTRLK	2
64	308231	SCREW, 1/4-20X1.25 HHWATAP	1
70	320576	IDLER ARM ASSEMBLY	1
70-1	322116	ARM IDLER 40/43"DECK	1
70-2	41601	RIVET, OVSET .187DIA X .50LG ST	2
70-3	306973	BRAKE PAD - HARD - 232AF	1
71	35410	SPRING .071 X .62 X 4.37	1
72	304420	BOLT, 500X2.15 HSSH	1
74	996307	WASHER, FLAT .391X1.00X.209	1
78	45905	NUT, 3/8-16 HWDFLLK MACK	1
105	302714	ROD, BRAKE	1
106	1502	NUT, 1/4-20 REGHEXCTRLK	1
107	321828	BLADE BRAKE ASSY	1
107-1	135624	RIVET, TRSET .185DIA X .41LG ST	2
107-2	304119	BRAKE ARM	1
107-3	306973	BRAKE PAD - HARD - 232AF	1
108	180077	SCREW, 5/16-18X .75 HHC	1
109	120393	WASHER, FLAT .344X .69X.065	1
110	1498	NUT, 5/16-18 REGHEXCTRLK	1
151	303072	ROD, CLUTCH	1
152	305284	CLEVIS, EURO	1
153	120376	NUT, 5/16-18 REGHEX	2
154	120393	WASHER, FLAT .344X .69X.065	2
155	1498	NUT, 5/16-18 REGHEXCTRLK	1
156	57444	TIE, CABLE BLACK NYLON 5.62L	1

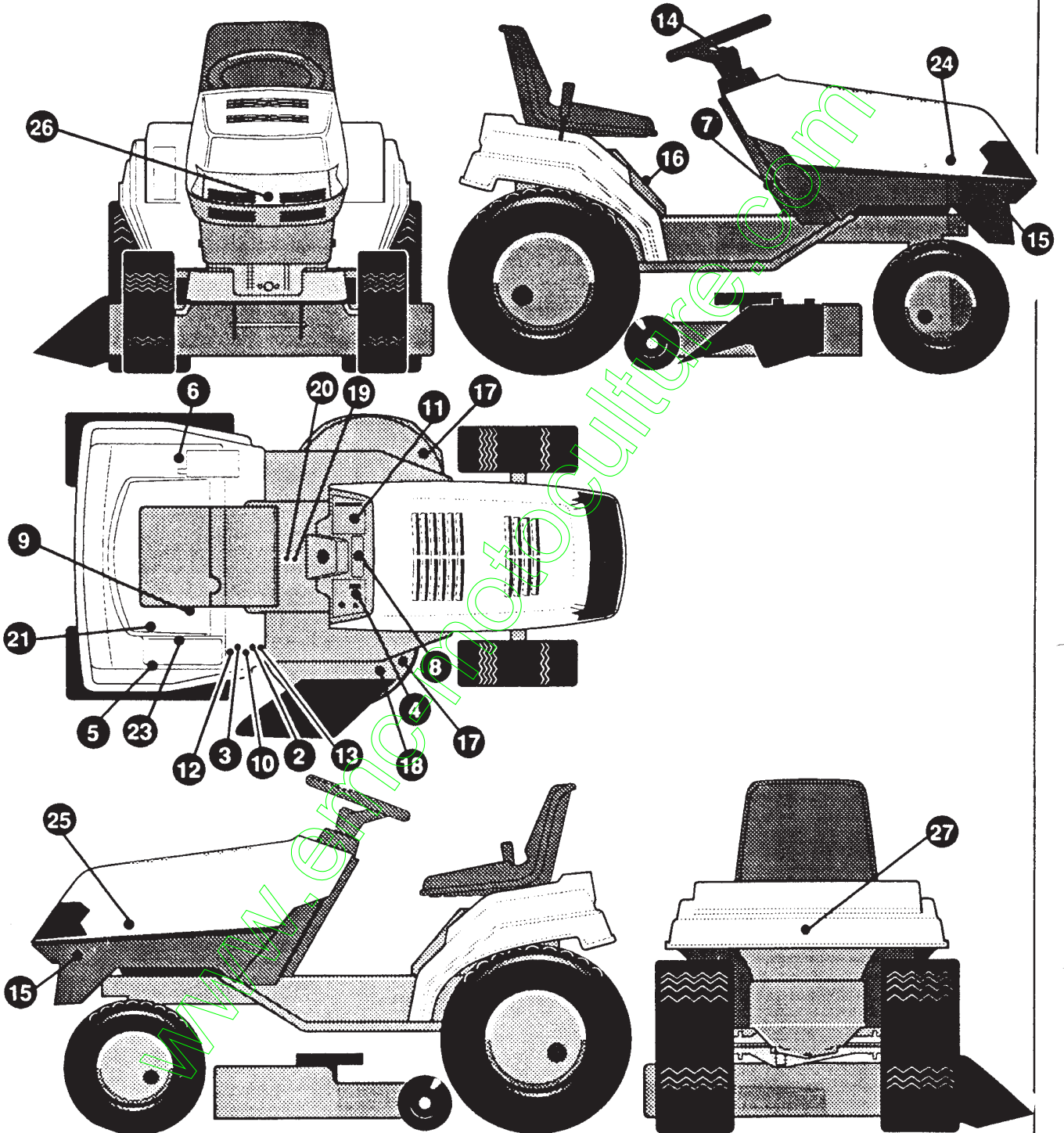


KEY #	PART #	DESCRIPTION	QTY.
1		MOWER DECK 40"	1
2	302963	ROD DRAWBAR	1
3	56180	PIN, HAIR .091 DIA X 1.62LG	1
6	327615 888	PULLEY, ENG	1
9	327616 888	SCREW, ENGINE PULLEY	1
11	120383	WASHER, REGSPTLK.459X.78X.12	1
24	300440	GUIDE, BELT, RIDER	2
25	138538	WASHER, REGINTLK.320X.61X.03	2
26	1498	NUT, 5/16-18 REGHEXCTRLK	2
31	310326	PULLEY, IDLER BFF 4.00 WIDE FL	1
32	48044	BELT, V 5L 82.00 DECK DR	1
33	1346	RETAINER, BELT	1
34	446363	WASHER, FLAT .375X .88X.082	1
35	57325	BOLT, 3/8-16X2.00 CARR	1
36	120377	NUT, 3/8-16 REGHEX	1
37	120382	WASHER, REGSPTLK.393X.68X.10	1
50	319868	CLIP, 40/46 HANGER	1
51	1498	NUT, 5/16-18 REGHEXCTRLK	1
52	309615	ROD, 40" REAR DECK LIFT	1
53	304443	CLEVIS	1
54	109527	NUT, 1/2-13 458 SQ	1
55	120238	NUT, 1/2-13 HEXJAM	1
56	300317	PIN, CLEVIS .375DIA X .81 LG	1
57	120394	WASHER, FLAT .406X .81X.065	1
58	56180	PIN, HAIR .091 DIA X 1.62LG	1
60	319868	CLIP, 40/46 HANGER	1
61	57101	BOLT, 5/16-18X .75 CARR	1
62	1498	NUT, 5/16-18 REGHEXCTRLK	1
63	312302	ROD, 40" REAR DECK LIFT	1
64	304443	CLEVIS	1
65	109527	NUT, 1/2-13 458 SQ	1
66	120238	NUT, 1/2-13 HEXJAM	1
67	300317	PIN, CLEVIS .375DIA X .81 LG	1
68	120394	WASHER, FLAT .406X .81X.065	1
69	56180	PIN, HAIR .091 DIA X 1.62LG	1
71	319868	CLIP, 40/46 HANGER	1
72	180077	SCREW, 5/16-18X .75 HHC	1
73	1498	NUT, 5/16-18 REGHEXCTRLK	1
74	309615	ROD, 40" REAR DECK LIFT	1
75	305283	CLEVIS, SLOT EURO	1
76	109527	NUT, 1/2-13 458 SQ	1
77	120238	NUT, 1/2-13 HEXJAM	1
78	300317	PIN, CLEVIS .375DIA X .81 LG	1
79	120394	WASHER, FLAT .406X .81X.065	1
80	56180	PIN, HAIR .091 DIA X 1.62LG	1
86	302611	GAUGE WHEEL, EURO 6.00ODX1.38WD	2
87	23763	BOLT, 500X1.390 HSSH 3/8-16	2
88	1499	NUT, 3/8-16 REGHXCTRLK	2
91	304422	CHUTE DEFLECTOR 40", 42" & 43"	1
92	314975	SPRING, TORSION CHUTE DEFLECTOR	1
93	304424	ROD, PIVOT DECK .312DX7.25	1
94	3535	NUT, PUSH ON CAP .312 OD	1
101	49332	PIN, CLEVIS .375DX.81LG	1
102	56180	PIN, HAIR .091 DIA X 1.62LG	1
151	328257	GUARD, BELT LH PLASTIC	1
152	180077	SCREW, 5/16-18X .75 HHC	1
154	120393	WASHER, FLAT .344X .69X.065	3
156	1498	NUT, 5/16-18 REGHEXCTRLK	3
157	57072	BOLT, 5/16-18X .63 CARR	2



KEY #	PART #	DESCRIPTION	QTY.
1	331930	HARN.WRNG EURO BS VTWN M/C AMP	1
2	57444	TIE, CABLE BLACK NYLON 5.62L	5
3	41482	PRESS CLIP,1.380LG .255ID	2
4	57220	SCREW, #12 X .50 PHPNHTAP BLK	2
5	57476	SWITCH,SCR MNT DP NC NO BLK	1
9	52572	BULB, HEADLAMP	2
10	300334	LIGHT SWITCH ON/OFF PANEL MNT	1
12	303064	ASSY,LIGHT WIRE-1/4 TURN	1
13	57444	TIE, CABLE BLACK NYLON 5.62L	3
17	327352	NUT, 5/8-8ACME DELTA FOR BOOT	1
18	300194	BOOT, IGN SWITCH	1
19	327350	KEY,IGNITION	2
20	327355	SWITCH-IGN.(AFTER FIRE) 3 POSN	1
24	302257	BATTERY,12V	1
25	57551	ROD, BATTERY	1
26	302912	ROD, BATTERY TOP .209DIA	1
27	325232	NUT, WING 1/4-20 NYLON	1
28	180020	SCREW, 1/4-20X .75 HHC	2
29	271172	NUT, 1/4-20 REGHEXKEPS	2
30	55511	WIRE, GROUND, 12.5"	1
31	271184	NUT, 5/16-18 HEXKEPS	1
32	57547	SWITCH, SEAT	1
33	160505	SCREW, 1/4-20X .38PHPNHMA	2
34	326654	SWITCH, SNAP MNT NC .140 BLUE	1
35	326653	SWITCH,SNAPMNT NO .055/ .116GRY	1
36	57444	TIE, CABLE BLACK NYLON 5.62	2
40	53716	SOLENOID	1
41	187745	SCREW, 1/4-20X .75 HXSEMMA	2
42	120368	NUT, 5/16-24 REGHEX	2
43	138485	WASHER, EXLK .320X.61X.03	2
44	271172	NUT, 1/4-20 REGHEXKEPS	1
45	1502	NUT, 1/4-20 REGHEXCTRLK	2
50	307113	CHOKE CONT BS TWIN ERO LONG	1
51	314522	CLIP,CHOKE CONTROL	1
56	304739	MINIATURE HOUR METER 4-40V DC	1
57	320554	SCREW, #6-32X .50 PHPNMA CRSS	2
58	271482	NUT, #6-32 HEXKEPS	2
61	57769	BULB, INDICATOR	3
76		BATTERY ACID PACK, 80 OZ	1
80	315902	AMMETER ASSY->309373,121685,	1

BATTERY ACID MAY BE PURCHASED AT YOUR LOCAL HARDWARE STORES.



KEY #	PART #	DESCRIPTION	QTY.
1		REFERENCE ONLY	1
2	305770	DECAL, CAUTION TRIANGLE EUROPE	1
3	306852	DECAL, DANGER FRENCH	1
4	331817	DECAL DASH RH ISO CH, HR, LS, IS	1
5	307817	DECAL SHIFT INDICATOR EXPORT	1
6	316851	DECAL, EXPORT BL. CL. @ DECK HT.	1
7	307820	DECAL PARK BRAKE EXPORT	1
8	332096	DECAL, DASH OIL, FUEL, ASG, NO CHG	1
9	332359	DECAL, CERT. DE CONFORMITE 1994	1
10	310553	DECAL, DANGER ENGLISH	1
11	331807	DECAL DASH LH ISO, AMM, M/CL, M/CH	1
12	311066	DECAL, DANGER GERMAN	1
13	322859	DECAL, DANGER CONS SIDE SWEDISH	1
14	332058	DECAL, GUNSIGHT CENT. 3 SPOKE	1
15	311730	DECAL, WHEEL 4 STEER HUSQ. BUM	2
16	311731	DECAL, LAWN TRACTOR SEAT SUPP.	1
17	320842	DECAL, WARN 11/LANG HANDS/FEET	2
18	320843	DECAL, WARN DEF SHLD 11 LANG	1
19	320844	DECAL, START INST CONS 11LANG	1
20	320845	DECAL, ENTER & EXIT 11/LANG	1
21	313039	DECAL, 4WS PATENT NO. 5048853	1
22		REFERENCE ONLY	1
23	316886	DECAL GEAR SHIFT 6 SPEED ERO	1
24	322172	DECAL, HOOD HUSQVARNA RH	1
25	322173	DECAL, HOOD HUSQVARNA LH	1
26	322174	DECAL, GRILLE HUSQVARNA	1
27	322175	DECAL, REAR FENDER HUSQVARNA	1
28	318010	DECAL, TUV GS	1
30	311811	DECAL, ENGINE 14BS V-TWIN 2YR	1

www.emc-motoculture.com