

IPL, LTH 130, 2001-09, 106 27 62-61

HELTH130B

LTH130

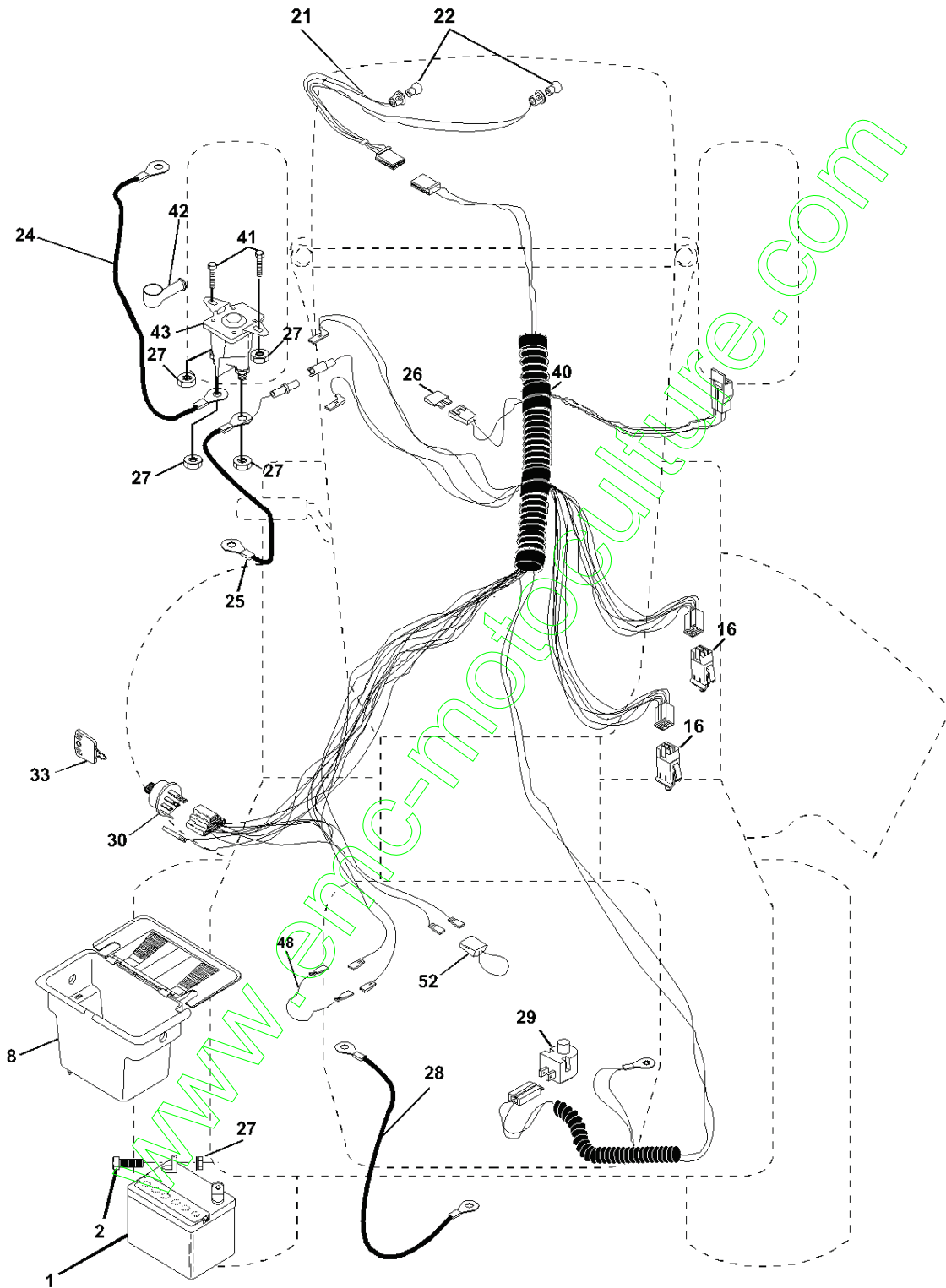
Spare parts
Ersatzteile
Pièces détachées
Reserve onderdelen
Repuestos
Reservdelar

www.emc-motoculture.com

106 27 62-61

REPAIR PARTS

TRACTOR - MODEL NO. LTH130 (HELTH130B), PRODUCT NO. 954 17 00-36
ELECTRICAL



REPAIR PARTS

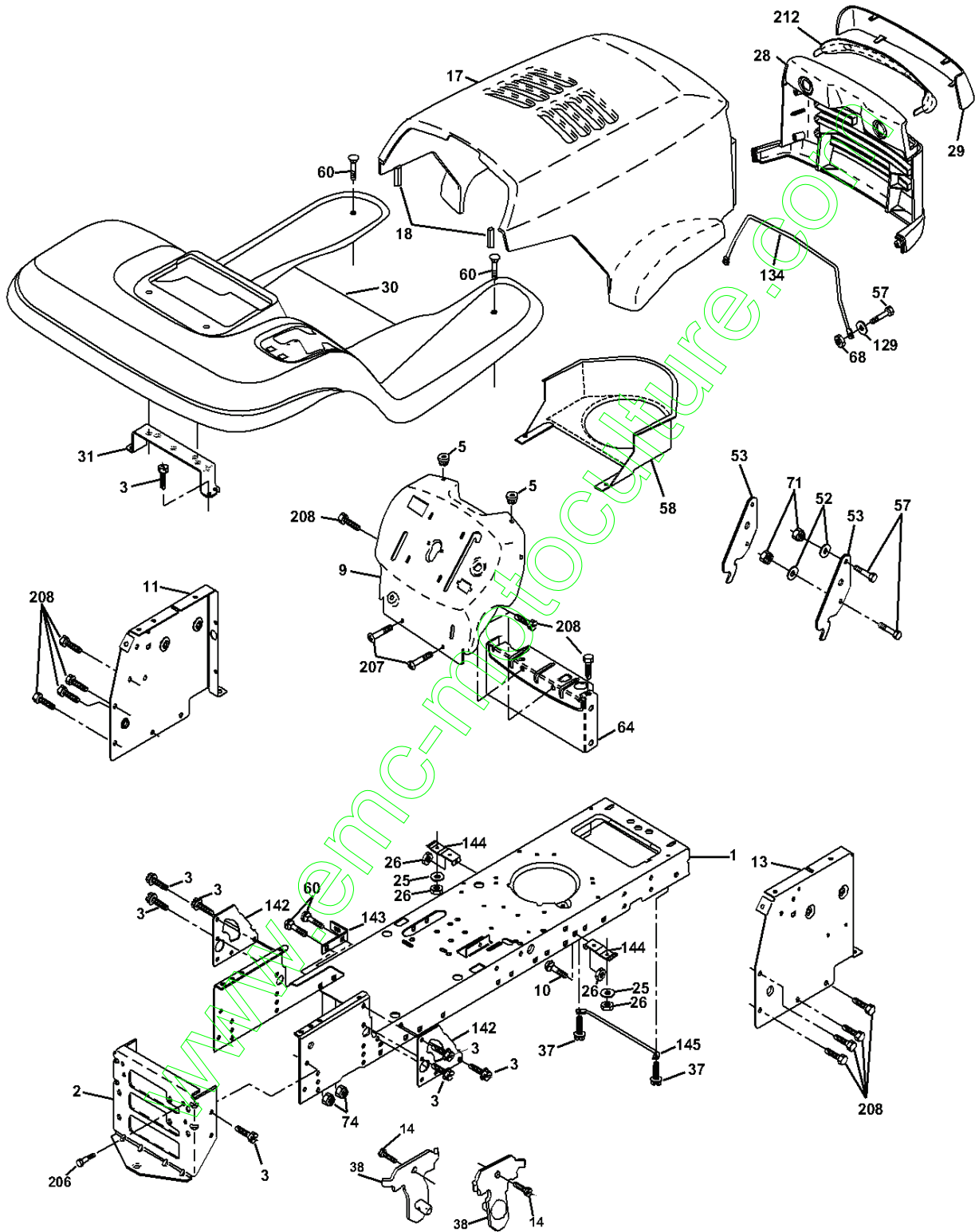
TRACTOR - MODEL NO. LTH130 (HELTH130B), PRODUCT NO. 954 17 00-36
ELECTRICAL

| KEY NO. | PART NO. | DESCRIPTION |
|---------|-----------|--------------------------------------|
| 1 | 532144925 | Battery 12 Volt 25 AMP |
| 2 | 874760412 | Bolt Hex Hd 1/4-20unc X 3/4 |
| 8 | 532156417 | Case Battery Mech Hinge |
| 16 | 532153664 | Switch Interlock Push-In |
| 21 | 532166181 | Harness Asm Light W/4152j |
| 22 | 532004152 | Bulb Light#1156 |
| 24 | 532124780 | Cable Battery 6 Ga 11" red |
| 25 | 532146147 | Cable Battery 6 Ga 44" red w/16 wire |
| 26 | 532175158 | Fuse 20 AMP |
| 27 | 873510400 | Nut Keps Hex 1/4-20 UNC |
| 28 | 532124773 | Cable Ground 6 Ga 12" black |
| 29 | 532121305 | Switch Plunger Nc Gray |
| 30 | 532175566 | Switch Ign |
| 33 | 532140401 | Key Ign Molded Generic |
| 40 | 532170217 | Harness Ign. |
| 41 | 871110408 | Bolt Blk Fin Hex 1/4 - 20 x 1/2 |
| 42 | 532131563 | Cover Terminal Red |
| 43 | 532175141 | Solenoid |
| 48 | 532140844 | Adapter Ammeter Rectangular |
| 52 | 532141940 | Protection Wire Loop |

NOTE: All component dimensions given in U.S. inches.
1 inch = 25.4 mm.

REPAIR PARTS

TRACTOR - MODEL NO. LTH130 (HELTH130B), PRODUCT NO. 954 17 00-36
CHASSIS AND ENCLOSURES



REPAIR PARTS

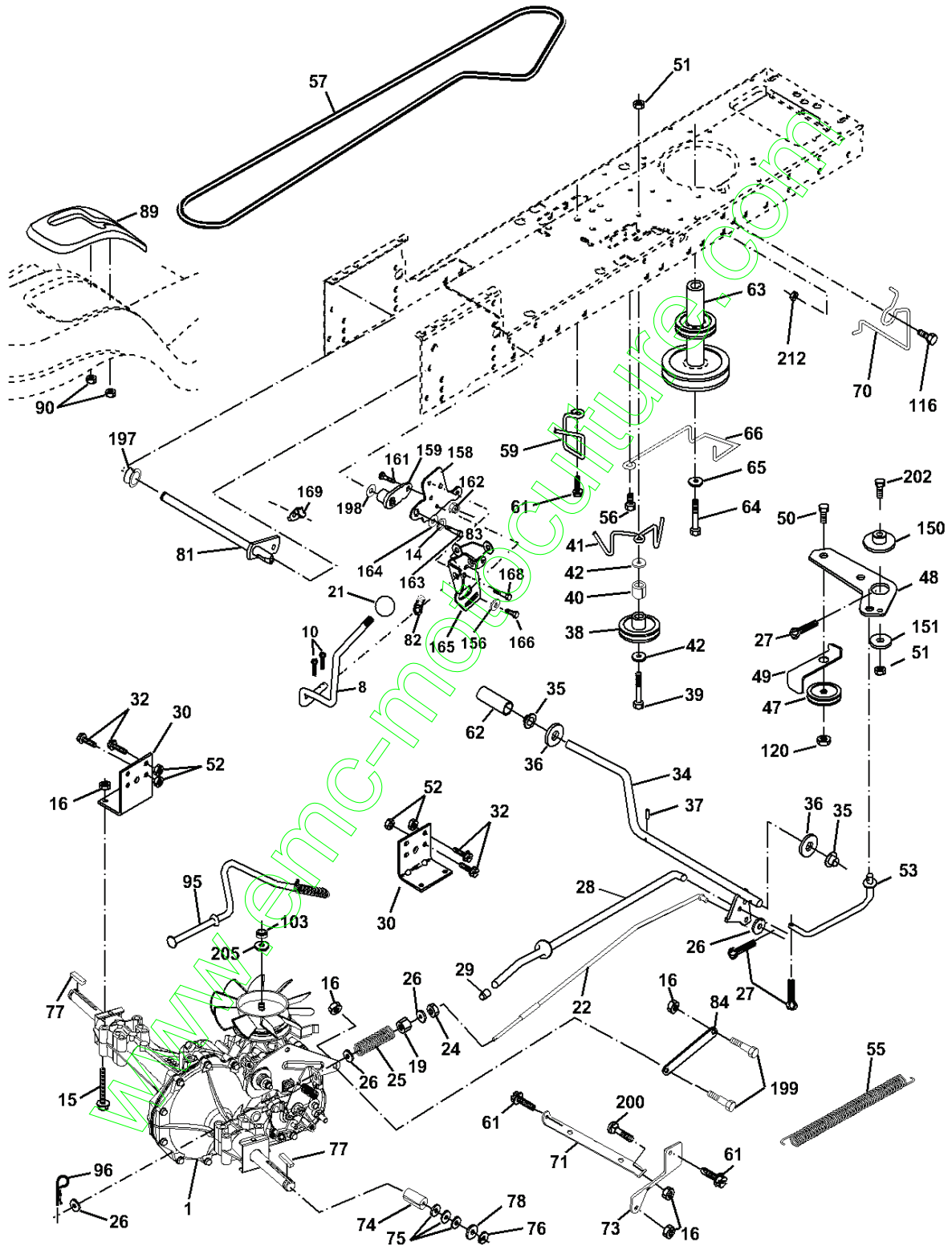
TRACTOR - MODEL NO. LTH130 (HELTH130B), PRODUCT NO. 954 17 00-36
CHASSIS AND ENCLOSURES

| KEY NO. | PART NO. | DESCRIPTION |
|---------|-----------|---------------------------------------|
| 1 | 532174619 | Chassis Stamping |
| 2 | 532176554 | Drawbar |
| 3 | 817060612 | Screw 3/8-16x3/4 |
| 5 | 532155272 | Bumper Hood/Dash |
| 9 | 532171853 | Dash P/L M |
| 10 | 872140608 | Bolt Carriage 3/8-16 x 1 |
| 11 | 532155927 | Panel Dash Lh |
| 13 | 532173025 | Panel Dash Rh |
| 14 | 817490608 | Screw Thdrol 3/8-16 x 1/2 |
| 17 | 532165378 | Hood LT/PL Husqvarna |
| 18 | 532126938 | Bumper Hood |
| 25 | 819131312 | Washer 13/32 X 13/16 X 12 Ga |
| 26 | 873800600 | Nut Lock Hex W/Ins 3/8-16 Unc |
| 28 | 532165379 | Grille LT/PL Husqvarna |
| 29 | 532165380 | Lens LT/PL Husqvarna |
| 30 | 532171854 | Fender Footrest STLT Pnt |
| 31 | 532139976 | Bracket Support Fender |
| 37 | 817490508 | Screw Thdrol 5/16-18 x 1/2 TYT |
| 38 | 532175710 | Bracket Asm Pivot Mower Rear |
| 52 | 819091416 | Washer 9/32 x 7/8 x 16 Ga. |
| 53 | 532150067 | Bracket Pnt. Pick off LT/PL Husqvarna |
| 57 | 874780412 | Bolt Hex 1/4-20 x 3/4 |
| 58 | 532150127 | Air Duct Engine P/L |
| 60 | 872140606 | Bolt Rdhd Sqnk 3/8-16unc x 3/4 |
| 64 | 532154798 | Dash Lower STLT |
| 68 | 873510400 | Nut Keps Hex 1/4-20 Unc |
| 71 | 873680400 | Nut Crownlock 1/4-20 Unc |
| 74 | 873680600 | Nut Crownlock 3/8-16 UNC |
| 129 | 819091016 | Washer 9/32 x 5/8 x 16 Ga. |
| 134 | 532160219 | Rod Support Hood LT/PL Husq. |
| 142 | 532165867 | Plate Reinforcement STLT |
| 143 | 532154966 | Bracket Swaybar Chassis |
| 144 | 532154207 | Bracket Pnt Footrest STLT |
| 145 | 532156524 | Rod Pivot Chassis/Hood |
| 206 | 532170165 | Bolt Shoulder 5/16-18 TT |
| 207 | 817670508 | Screw Thdrol 5/16-18 x 1/2 TYTT |
| 208 | 817670608 | Screw Thdrol 3/8-16 x 1/2 TYT BI |
| 212 | 532156195 | Insert Lens Reflect |
| - | 532005479 | Plug Button |

NOTE: All component dimensions given in U.S. inches
1 inch = 25.4 mm

REPAIR PARTS

TRACTOR - MODEL NO. LTH130 (HELTH130B), PRODUCT NO. 954 17 00-36 DRIVE



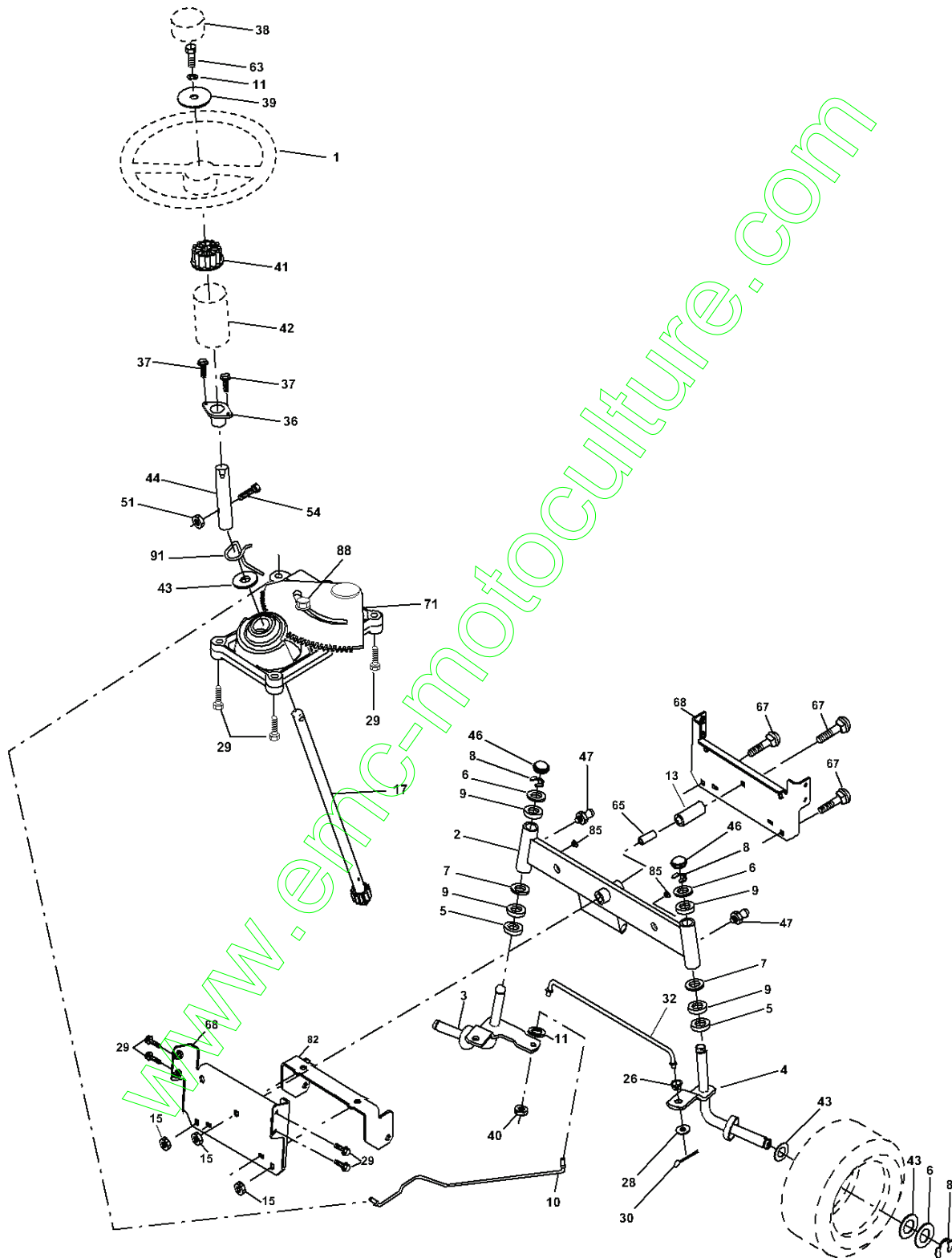
REPAIR PARTS**TRACTOR - MODEL NO. LTH130 (HELTH130B), PRODUCT NO. 954 17 00-36
DRIVE**

| KEY NO. | PART NO. | DESCRIPTION | KEY NO. | PART NO. | DESCRIPTION |
|---------|------------------|--|---------|------------------|---|
| 1 | ----- | Transaxle Hydro Gr 322-0510 (Order parts from transaxle manufacturer) | 66 | 532154778 | Keeper Belt Engine |
| 8 | 532165866 | Rod Shift Fender STLT | 70 | 532134683 | Guide Belt Mower Drive RH |
| 10 | 876020416 | Pin Cotter 1/8 x 1 CAD | 71 | 532169183 | Strap Torque Lh Hydro |
| 14 | 810040400 | Washer Lock Hvy Helical 1/4 | 73 | 532169182 | Strap Torque Rh Hydro |
| 15 | 874490544 | Bolt Hex Flg Hd 5/16-18 X Gr.5 | 74 | 532137057 | Spacer, Axle |
| 16 | 873800500 | Nut Lock Hex W/Ins. 5/16-18 Unc P | 75 | 532121749 | Washer 25/32 x 1-1/4 x 16 Gauge |
| 19 | 873800600 | Nut Lock Hex W/Wsh 3/8-16 Unc | 76 | 812000001 | E-Ring |
| 21 | 532121274 | Knob, Duckhead | 77 | 532123583 | Key, Square |
| 22 | 532169498 | Rod, Brake Hydro | 78 | 532121748 | Washer 25/32 x 1-5/8 x 16 Gauge |
| 24 | 873350600 | Nut | 81 | 532165596 | Shaft Asm. Cross Hydro |
| 25 | 532106888 | Spring, Brake Rod | 82 | 532165711 | Spring Torsion T/A |
| 26 | 819131316 | Washer | 83 | 819171216 | Washer 17/32 x 3/4 x 16 Ga. |
| 27 | 876020412 | Pin Cotter 1/8 x 3/4 CAD. | 84 | 532169843 | Link Transaxle |
| 28 | 532175765 | Rod, Parking Brake | 89 | 532166510 | Console, Shift |
| 29 | 532071673 | Cap, Parking Brake | 90 | 532124346 | Nut Self-Thd wsh-Hd 1/4 Zinc |
| 30 | 532174973 | Bracket, Transaxle | 95 | 532170201 | Control Asm Bypass Hydro |
| 32 | 874760512 | Bolt Hex Hd 5/16-18 Unc x 3/4 | 96 | 532124788 | Retainer Spring 1" Zinc/Cad |
| 34 | 532175578 | Shaft, Foot Pedal | 103 | 873940800 | Nut Hex Jam Toplock 1/2-20 |
| 35 | 532120183 | Bearing, Nylon | 116 | 872140608 | Bolt 3/8-16 x 1 |
| 36 | 819211616 | Washer | 120 | 873900600 | Nut Lock Flg 3/8-16 |
| 37 | 532124963 | Pin, Roll | 150 | 532175456 | Spacer Retainer |
| 38 | 532165936 | Pulley, Composite, Flat | 151 | 819133210 | Washer 13/32 x 2 x 10 Ga. |
| 39 | 874760648 | Bolt Fin Hex 3/8-16unc x 3 | 156 | 532166002 | Washer Srrtd 5/16 ID x 1.0 x .125 Tk |
| 40 | 532175461 | Spacer, Split | 158 | 532165589 | Bracket Shift Mount |
| 41 | 532175556 | Keeper, Belt Idler | 159 | 532165494 | Hub Tapered Flange Shift LT |
| 42 | 819131312 | Washer 13/32 x 13/16 x 12 Gauge | 161 | 872140406 | Bolt Rdhd Sqnk 1/4-20 x 3/4 Gr. 5 |
| 47 | 532127783 | Pulley, Idler, V-Groove | 162 | 873680400 | Nut Crownlock 1/4-20 Unc |
| 48 | 532154407 | Bellcrank Clutch Grnd Dry Stl | 163 | 874780416 | Bolt Hex Fin 1/4-20 unc x 1 Gr. 5 |
| 49 | 532123205 | Retainer, Belt | 164 | 819091010 | Washer 5/8 x .281 x 10 Ga |
| 50 | 874760624 | Bolt | 165 | 532165623 | Bracket Pivot Lever |
| 51 | 873680600 | Nut | 166 | 532166880 | Screw 5/16-18 x 5/8 TT Yellow |
| 52 | 873680500 | Nut Crownlock 5/16-18 | 168 | 532165492 | Bolt Shoulder 5/16-18 x .561 TT |
| 53 | 532105710 | Link, Clutch | 169 | 532165580 | Plate Fastening Cross Shf. STLT/ CRD |
| 55 | 532105709 | Spring, Return, Clutch | 197 | 532169613 | Nyliner Snap-In 5/8" ID |
| 56 | 817060616 | Screw 3/8-16 x 1.0 | 198 | 532169593 | Washer Nyl 7/8 ID x .105 HYD CRD |
| 57 | 532140294 | V-Belt, Ground Drive | 199 | 532169612 | Bolt Shoulder 5/16-18 Unc |
| 59 | 532169691 | Keeper, Center Span | 200 | 872140508 | Bolt Rdhd Sqnk 5/16-18unc x 1 |
| 61 | 817060612 | Screw 3/8-16 x 3/4 | 202 | 872110614 | Bolt Carr Sh 3/8-16 x 1-3/4 Gr. 5 |
| 62 | 532124872 | Cover, Pedal | 205 | 819171616 | Washer 17/32 x 1 x 16 |
| 63 | 532175410 | Pulley, Clutch Eng | 212 | 532145212 | Nut Hex Flange Lock |
| 64 | 871170764 | Bolt Hex 7/16-20 x 4 Ga. 5 | | | |
| 65 | 810040700 | Washer | | | |

NOTE: All component dimensions given in U.S. inches
1 inch = 25.4 mm

REPAIR PARTS

TRACTOR - MODEL NO. LTH130 (HELTH130B), PRODUCT NO. 954 17 00-36 STEERING ASSEMBLY



www.emc-motoculture.com

REPAIR PARTS

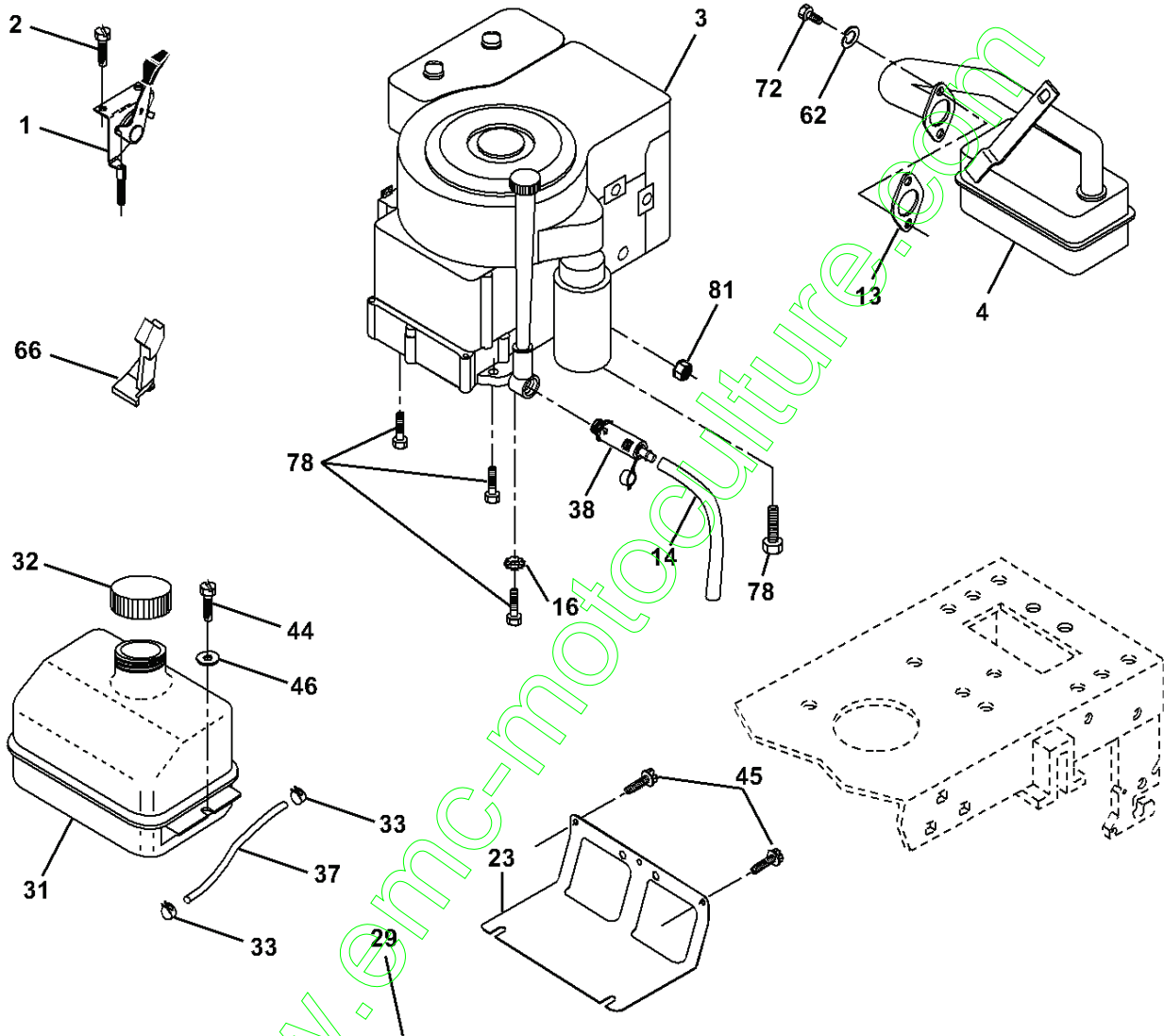
TRACTOR - MODEL NO. LTH130 (HELTH130B), PRODUCT NO. 954 17 00-36
STEERING ASSEMBLY

| KEY NO. | PART NO. | DESCRIPTION |
|---------|------------------|----------------------------------|
| 1 | 532166627 | Wheel Steering |
| 2 | 532154427 | Axle Asm STMP Dropped STL |
| 3 | 532169840 | Spindle Asm LH |
| 4 | 532169839 | Spindle Asm RH |
| 5 | 532124931 | Bearing Race Thrust Harden |
| 6 | 532121748 | Washer 25/32 X 1-5/8 X 16 Ga |
| 7 | 819272016 | Washer 27/32 X 1-1/4 X 16 Ga |
| 8 | 812000029 | Ring Klip#t5304-75 |
| 9 | 532124937 | Bearing Col Strg Blk |
| 10 | 532175121 | Link Drag |
| 11 | 810040600 | Washer Lock Hvy Hlcl Spr 3/8 |
| 13 | 532136518 | Spacer Brg Axle Front |
| 15 | 532145212 | Nut Hexflange Lock |
| 17 | 532177876 | Shaft Asm Strg |
| 26 | 532126847 | Bushing Link Drag Blk LR |
| 28 | 819131416 | Washer 13/32 X 7/8 X 16 Ga |
| 29 | 817060612 | Screw 3/8-16x3/4 |
| 30 | 876020412 | Pin Cotter 1/8 X 3/4 Cad |
| 32 | 532130465 | Rod Tie Wire Form 19 75 Mech |
| 36 | 532155099 | Bushing Strg |
| 37 | 532152927 | Screw |
| 38 | 532166626 | Insert Cap Strg Wh |
| 39 | 819132411 | Washer 13/32 X 1-1/20 x 11 Ga |
| 40 | 532124701 | Lock nut |
| 41 | 532159945 | Adaptor Wheel Strg |
| 42 | 532169634 | Boot Steering Shaft |
| 43 | 532121749 | Washer 25/32 X 1 1/4 X 16 Ga |
| 44 | 532153720 | Extension Steering Shaft LR/LT |
| 46 | 532121232 | Cap Spindle Fr Top Blk |
| 47 | 532124836 | Fitting Grease |
| 51 | 873800500 | Nut Lock Hex w/Ins 5/16-18 |
| 54 | 874780520 | Bolt Fin Hex 5/16-18 Unc x 1-1/4 |
| 63 | 874780616 | Bolt Fin Hex 3/8-16unc x 1 Gr. 5 |
| 65 | 532160367 | Spacer Brace Axle |
| 67 | 872140618 | Bolt Rdhd Sqnk 3/8-16 x 2-1/4 |
| 68 | 532169827 | Axle, Brace |
| 71 | 532175146 | Steering Asm |
| 82 | 532169835 | Bracket Susp Chassis Front |
| 85 | 532133835 | Fastner Christmas Tree |
| 88 | 532175118 | Bolt Shoulder 7/16-20 |
| 91 | 532175553 | Clip Steering |

NOTE: All component dimensions given in U.S. inches.
1 inch = 25.4 mm.

REPAIR PARTS

TRACTOR - MODEL NO. LTH130 (HELTH130B), PRODUCT NO. 954 17 00-36
ENGINE



OPTIONAL EQUIPMENT
Spark Arrester

REPAIR PARTS

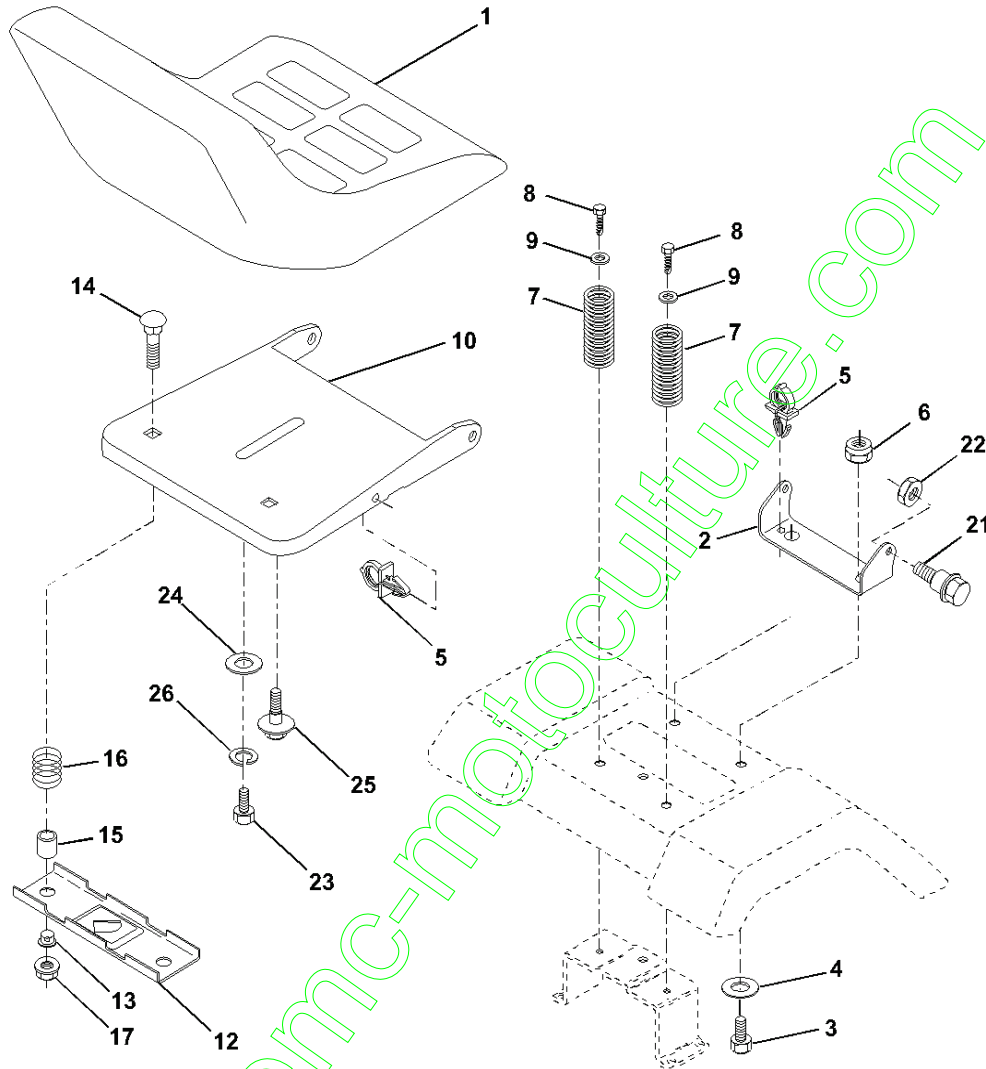
**TRACTOR - MODEL NO. LTH130 (HELTH130B), PRODUCT NO. 954 17 00-36
ENGINE**

| KEY NO. | PART NO. | DESCRIPTION |
|---------|-----------|---|
| 1 | 532170865 | Control Th/ch Flag |
| 2 | 817720410 | Screw Hex Thd Cut 1/4-20x5/8 T |
| 3 | ----- | Engine B&S Model No. 28R707 (Order Parts From Engine Manufacturer) |
| 4 | 532137348 | Muffler LT B&S 12/12.5/13HP |
| 13 | 532165291 | Gasket Eng 1 313 Id Tin Plated |
| 14 | 532148456 | Tube Drain Oil Easy |
| 16 | 811050600 | Washer Lock Ext Tooth 3/8 |
| 23 | 532169837 | Shield Browning/Debris Guard |
| 29 | 532137180 | Kit Spark Arrestor (Flat Scrn) |
| 31 | 532109202 | Tank Fuel |
| 32 | 532140527 | Cap Asm Fuel W/sym Vented |
| 33 | 532123487 | Clamp Hose Black |
| 37 | 532137040 | Line Fuel 20" |
| 38 | 532148315 | Plug Drain Oil Easy |
| 40 | 532124028 | Bushing Snap Nyl Blk Fuel Line |
| 44 | 817670412 | Screw Hex wsh Thdrol 1/4-20x3/4 |
| 45 | 817000612 | Screw Hex wsh Thdr 3/8-16 x 3/4 |
| 46 | 819091416 | Washer 9/32 X 7/8 X 16 Ga |
| 62 | 810040500 | Washer Lock Hvy Hlcl Spr 5/16 |
| 66 | 532127951 | Stop Throttle 3000 RPM |
| 72 | 871070512 | Screw Hexhd Cap 5/16-18x 3/4 |
| 78 | 817060620 | Screw 3/8-16x1-1/4 Smgml Tap/R |
| 81 | 873510400 | Nut Keps Hex 1/4-20 |

NOTE: All component dimensions given in U.S. inches
1 inch = 25.4 mm

REPAIR PARTS

TRACTOR - MODEL NO. LTH130 (HELTH130B), PRODUCT NO. 954 17 00-36
SEAT ASSEMBLY



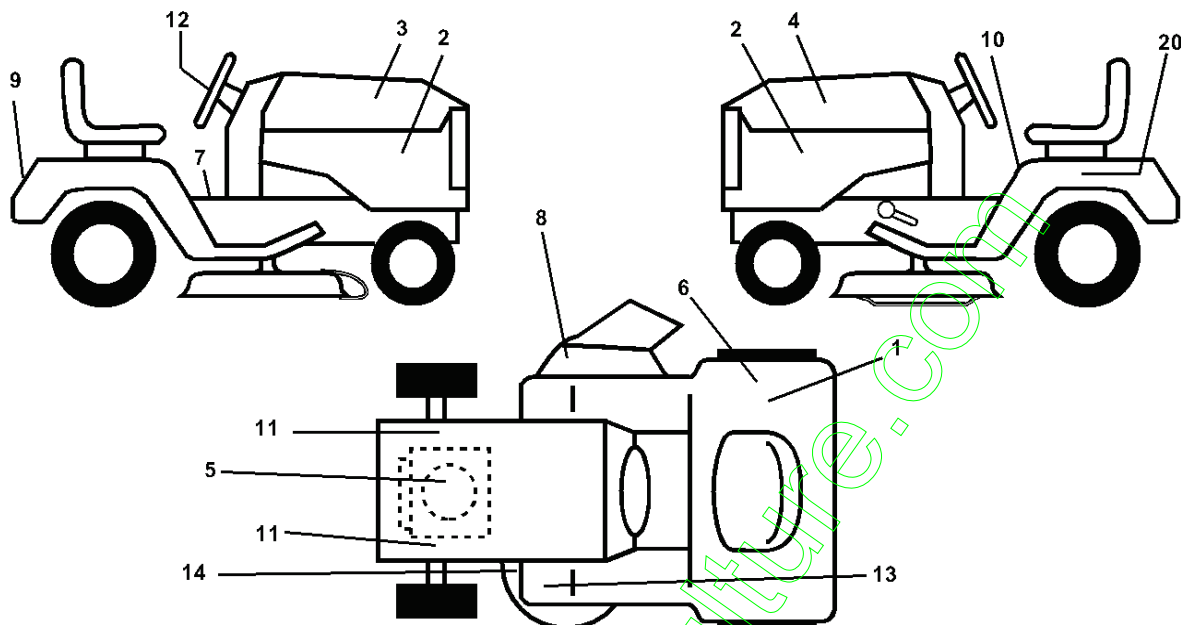
| KEY NO. | PART NO. | DESCRIPTION |
|---------|-----------|------------------------------------|
| 1 | 532140839 | Seat |
| 2 | 532140551 | Bracket Pivot Seat 8 720 |
| 3 | 871110616 | Bolt Fin Hex 3/8-16unc X 1 |
| 4 | 819131610 | Washer 13/32 X 1 X 10 Ga |
| 5 | 532145006 | Clip Push-In |
| 6 | 873800600 | Nut Hex w/Ins. 3/8-16 Unc |
| 7 | 532124181 | Spring Seat Cprsn 2 250 Blk Zi |
| 8 | 817000616 | Screw 3/8-16 X 1-1/2 Smgml Tap/R Z |
| 9 | 819131614 | Washer 13/32 X 1 X 14 Ga. |
| 10 | 532174894 | Pan Seat |
| 12 | 532121246 | Bracket Mounting Switch |
| 13 | 532121248 | Bushing Snap Blk Nyl 50 Id |

| KEY NO. | PART NO. | DESCRIPTION |
|---------|-----------|--|
| 14 | 872050412 | Bolt Rdhd Sqnk 1/4-20x1-1/2 |
| 15 | 532134300 | Spacer Split 28x 96 Yel Zinc |
| 16 | 532121250 | Spring Cprsn 1 27 Blk Pnt |
| 17 | 532123976 | Nut Lock 1/4 Lge Flg Gr 5 Zinc |
| 21 | 532171852 | Bolt Shoulder 5/16-18 Unc-2a Blk DA |
| 22 | 873800500 | Nut Hex Lock W/Ins 5/16-18 |
| 23 | 871110814 | Bolt Hex |
| 24 | 819171612 | Washer 17/32 X 1 X 12 Ga. |
| 25 | 532127018 | Bolt Shoulder 5/16-18 X 62 |
| 26 | 810040800 | Washer Lock HVY HLCL Spr 1/2 |

NOTE: All component dimensions given in U.S. inches.
1 inch = 25.4 mm

REPAIR PARTS

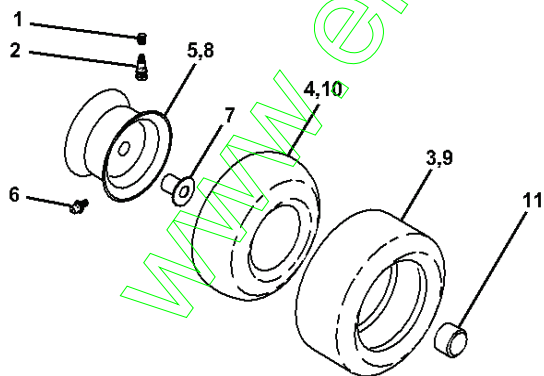
TRACTOR - MODEL NO. LTH130 (HELTH130B), PRODUCT NO. 954 17 00-36 DECALS



| KEY NO. | PART NO. | DESCRIPTION |
|---------|-----------|---------------------------------|
| 1 | 532126187 | Decal 100 DBA |
| 2 | 532159713 | Decal Panel Side B&S Logo |
| 3 | 532150725 | Decal Hood RH |
| 4 | 532150726 | Decal Hood LH |
| 5 | 532170848 | Decal HP Engine |
| 6 | 532145437 | Decal Euro Stand CE |
| 7 | 532140837 | Decal Saddle Brake |
| 8 | 532145494 | Decal Mower Cutfinger Symbol |
| 9 | 532150617 | Decal Fender Husq |
| 10 | 532145498 | Decal Read Owner's Manual Syms. |
| 11 | 532159736 | Decal Chassis Hot Muffler |
| 12 | 532170564 | Decal Wheel Steering |

| KEY NO. | PART NO. | DESCRIPTION |
|---------|-----------|--------------------------------|
| 13 | 532159737 | Decal Brake/Clutch Symbol LT |
| 14 | 532136832 | Decal V-Belt Schematic |
| 20 | 532145005 | Decal Bat Dan/Psn |
| -- | 532162598 | Decal Drawbar Load Limit |
| -- | 532169210 | Decal By-Pass Lt Hydro |
| -- | 532171284 | Pad Footrest LH STL |
| -- | 532171285 | Pad Footrest RH STL |
| -- | 532138311 | Decal Handle Lft Height Adjust |
| -- | 532176335 | Manual Operator's (Euro.) |
| -- | 532176336 | Manual Operator's (Scan.) |

WHEELS & TIRES

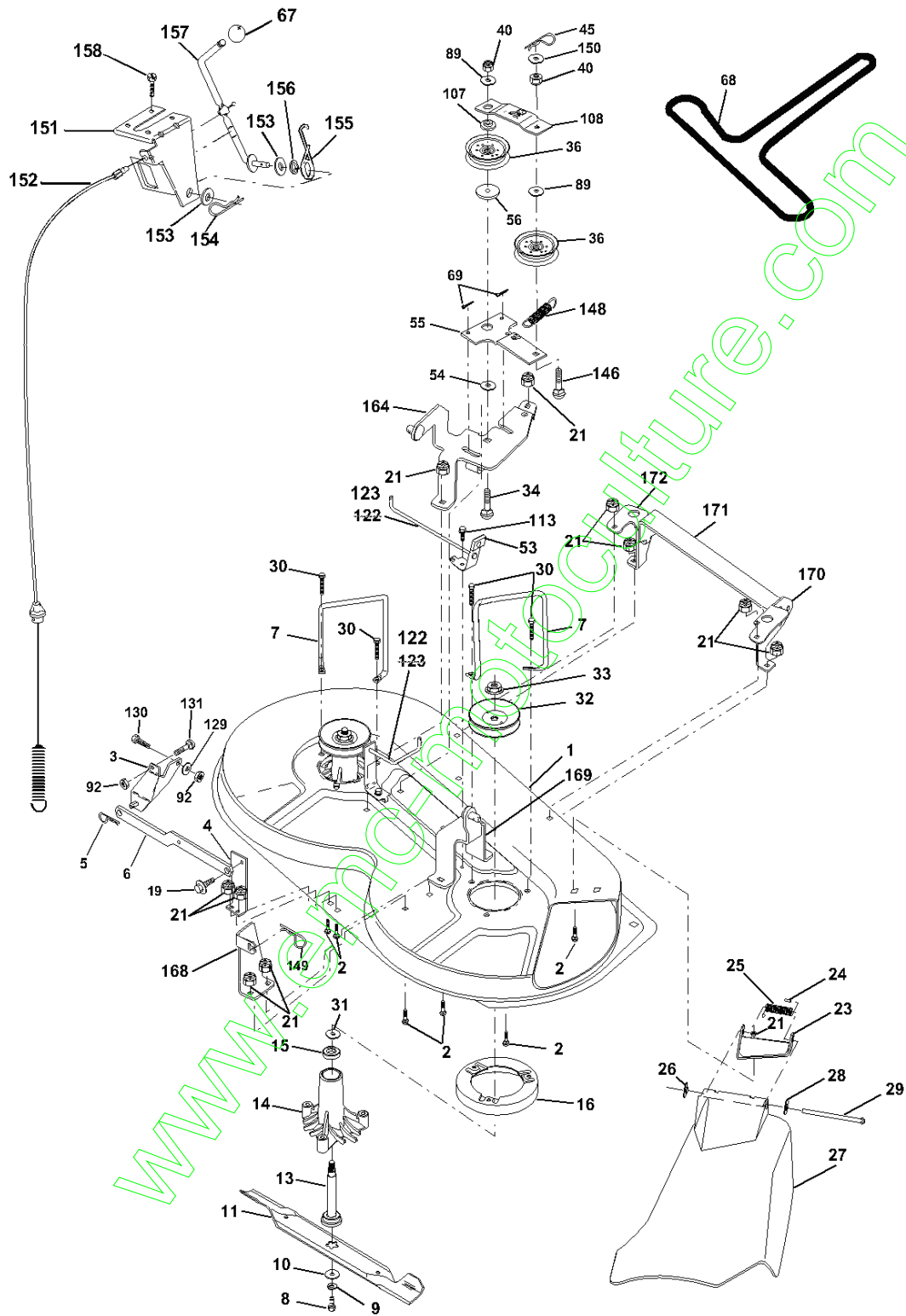


| KEY NO. | PART NO. | DESCRIPTION |
|---------|-----------|-----------------------------------|
| 1 | 532059192 | Cap Valve Tire |
| 2 | 532065139 | Stem Valve |
| 3 | 532106222 | Tire F Ts 15 X 6 0 - 6 Service |
| 4 | 532059904 | Tube Front (Service Item Only) |
| 5 | 532138336 | Rim Asm 6"front Silver Service |
| 6 | 532124957 | Fitting Grease (Front Wheel Only) |
| 7 | 532124959 | Bearing Flange (Front Wheel Only) |
| 8 | 532138337 | Rim Asm 8"rear Silver Service |
| 9 | 532124635 | Tire R Ts 18x8.5-8 Service |
| 10 | 532124926 | Tube Rear (Service Item Only) |
| 11 | 532175039 | Cap Axle Blk 1 50 X 1 00 |
| -- | 532144334 | Sealant, Tire (10 oz. Tube) |

NOTE: All component dimensions given in U.S. inches
1 inch = 25.4 mm

REPAIR PARTS

TRACTOR - MODEL NO. LTH130 (HELTH130B), PRODUCT NO. 954 17 00-36
MOWER DECK



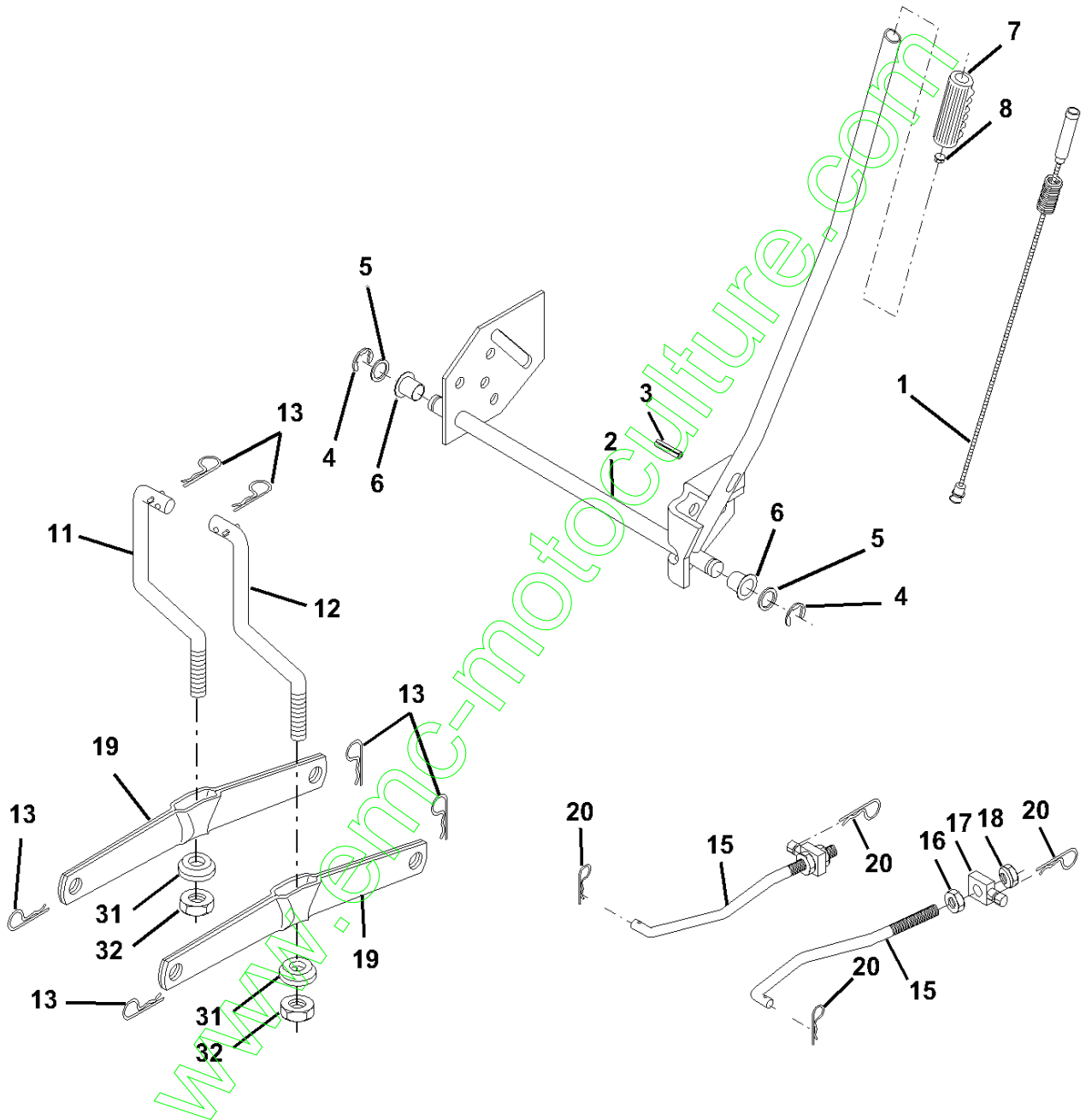
REPAIR PARTS**TRACTOR - MODEL NO. LTH130 (HELTH130B), PRODUCT NO. 954 17 00-36
MOWER DECK**

| KEY NO. | PART NO. | DESCRIPTION | KEY NO. | PART NO. | DESCRIPTION |
|---------|-----------|---------------------------------|---------|-----------|---|
| 1 | 532174595 | Mower Deck Assembly | 67 | 532106932 | Knob RD 3/8-16 Plstc Thd |
| 2 | 872140506 | Bolt | 68 | 532174978 | Belt |
| 3 | 532138017 | Bracket Assembly,Sway Bar | 69 | 876020312 | Pin, Cotter 3/32 x 3/4 |
| 4 | 532175654 | Bracket Sway Bar | 89 | 819131612 | Washer 13/32 x 1 x 12 Ga |
| 5 | 532124670 | Retainer Spring | 92 | 873800600 | Nut Lock Hex W/Ins 3/8-16 |
| 6 | 532130832 | Arm, Suspension, Rear | 107 | 532133502 | Spacer, Retainer |
| 7 | 532140608 | Keeper Belt | 108 | 532133503 | Stiffener, Idler Arm |
| 8 | 532850857 | Bolt, Hex 3/8-24 x 1.25 Gr. 8 | 113 | 817490508 | Screw Thdrol 5/16-18 x 1/2 |
| 9 | 810030600 | Washer, Lock Hvy Hlcl 3/8 | 122 | 532174505 | Rod, Brake, LH |
| 10 | 532140296 | Washer, Hardened | 123 | 532174504 | Rod, Brake, RH |
| 11 | 532138496 | Blade, Mower | 129 | 819131312 | Washer 13/32 x 13/16 x 12 |
| 13 | 532137645 | Shaft Assembly, Mandrel, Vented | 130 | 874780616 | Bolt Fin Hex 3/8-16unc x 1 |
| 14 | 532128774 | Housing, Mandrel, Vented | 131 | 872140608 | Bolt RDHD SQNK 3/8-16unc x 1 |
| 15 | 532110485 | Bearing, Ball, Mandrel | 146 | 532165891 | Bolt Carriage Idler |
| 16 | 532174493 | Stripper, Mower Deck | 148 | 532169022 | Spring Return Idler |
| 19 | 532132827 | Bolt, Shoulder | 149 | 532165898 | Retainer Spring Yellow Zinc |
| 21 | 873680500 | Nut Crownlock 5/16-18 | 150 | 819091216 | Washer 9/32 x 3/4 x 16 Ga. |
| 23 | 532136631 | Bracket, Mower Deflector | 151 | 532169670 | Bracket Clutch |
| 24 | 532105304 | Cap, Sleeve | 152 | 532176079 | Cable Clutch |
| 25 | 532123713 | Spring, Torsion, Deflector | 153 | 532169674 | Washer Flat 3/8" Type B |
| 26 | 532110452 | Nut, Push | 154 | 532169675 | Spring Retainer |
| 27 | 532176162 | Shield, Deflector | 155 | 532169671 | Spring Retention Lever |
| 28 | 819111016 | Washer 11/32 x 5/8 x 16 Ga. | 156 | 532169672 | Spacer |
| 29 | 532121980 | Rod, Hinge | 157 | 532169669 | Rod Clutch |
| 30 | 532157722 | Screw Thdrol Washer Head | 158 | 817720410 | Screw Hex Thd Cut 1/4-20x5/8 |
| 31 | 532129963 | Washer, Spacer | 164 | 532174976 | Bracket Asm Idler Support |
| 32 | 532153531 | Pulley, Mandrel | 168 | 532172377 | Bracket Deck Cable |
| 33 | 532137266 | Nut, Toplock, Flanged | 169 | 532174977 | Bracket Suspension |
| 34 | 872110614 | Bolt Rdhd 3/8-16 x 1-3/4 | 170 | 532172359 | Bracket Suspension RF |
| 36 | 532131494 | Pulley, Idler, Flat | 171 | 532165237 | Brace Support Susp Frt |
| 40 | 873680600 | Nut Crownlock 3/8-16 | 172 | 532172355 | Bracket Suspension LF |
| 45 | 532124788 | Retainer, Spring | -- | 532130794 | Mandrel Assembly (Includes Key Numbers 13-15, 16-19, 31 and 33) |
| 53 | 532130840 | Brake Assembly | -- | 532175254 | Mower Deck, Complete |
| 54 | 532133943 | Washer, Hardened | | | |
| 55 | 532133840 | Idler Arm Assembly | | | |
| 56 | 532165723 | Spacer, Retainer | | | |

NOTE: All component dimensions given in U.S. inches
1 inch = 25.4 mm

REPAIR PARTS

TRACTOR - MODEL NO. LTH130 (HELTH130B), PRODUCT NO. 954 17 00-36
MOWER LIFT



REPAIR PARTS

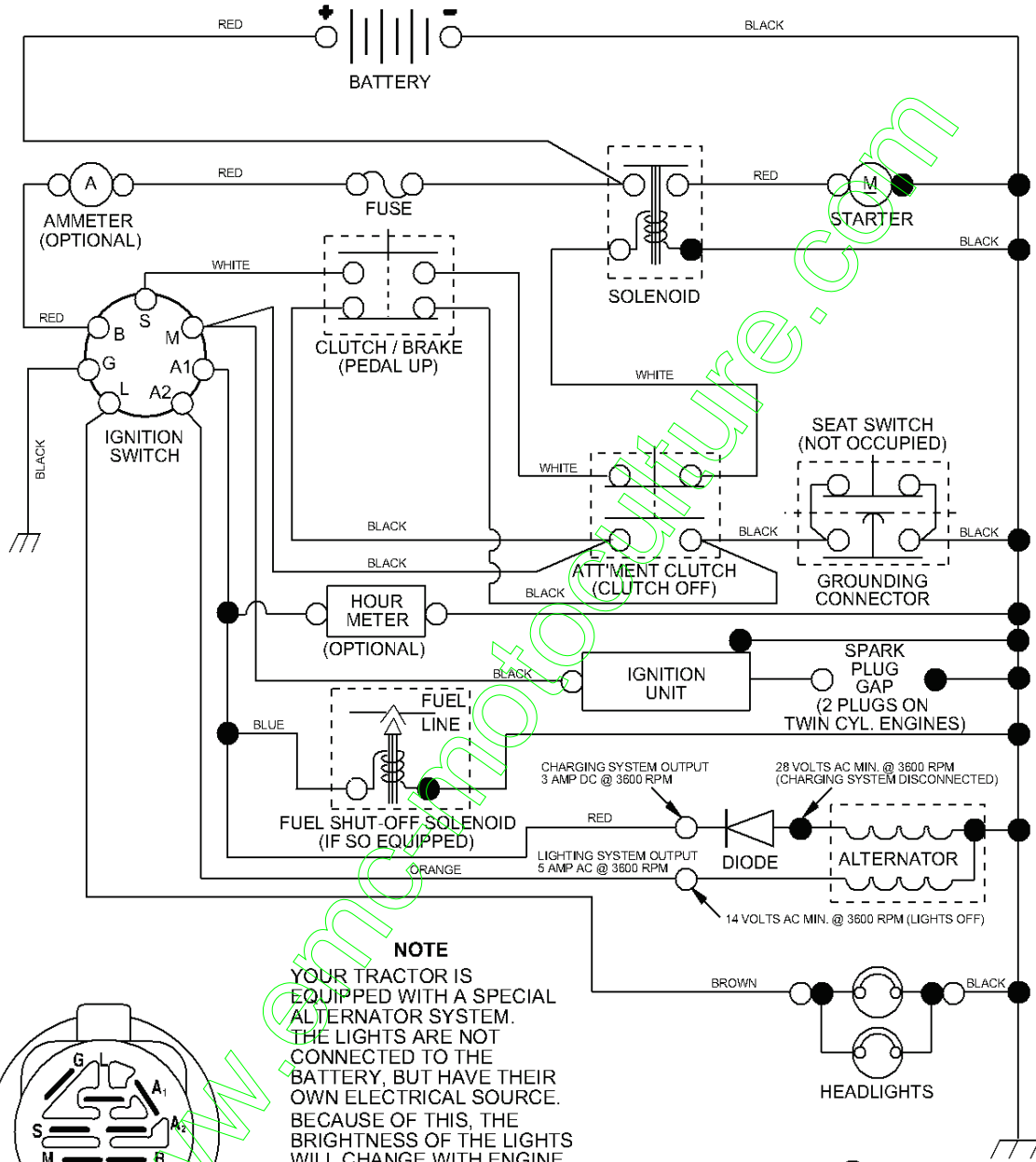
TRACTOR - MODEL NO. LTH130 (HELTH130B), PRODUCT NO. 954 17 00-36
MOWER LIFT

| KEY NO. | PART NO. | DESCRIPTION |
|---------|-----------|----------------------------------|
| 1 | 532159460 | Wire Asm Inner Sprg w/Plunger LT |
| 2 | 532159471 | Shaft Asm Lift |
| 3 | 532105767 | Pin Groove |
| 4 | 812000002 | E Ring #5133-62 |
| 5 | 819211621 | Washer PLTD 21/32 X 1 X 21ga |
| 6 | 532120183 | Bearing Nylon Blk 629 Id |
| 7 | 532109413 | Grip Handle |
| 8 | 532124526 | Button Plunger Black |
| 11 | 532139865 | Link Lift LH |
| 12 | 532139866 | Link Lift RH |
| 13 | 532124670 | Retainer Spring |
| 15 | 532173288 | Link Front |
| 16 | 873350800 | Nut Jam Hex 1/2-13 Unc |
| 17 | 532130171 | Trunnion Blk Zinc |
| 18 | 873800800 | Nut Lock w/wsh 1/2-13 Unc |
| 19 | 532139868 | Arm Suspension Rear |
| 20 | 532163552 | Spring, Retainer |
| 31 | 532169865 | Bearing Pvt. Lift |
| 32 | 873540600 | Nut Crownlock 3/8-24 |

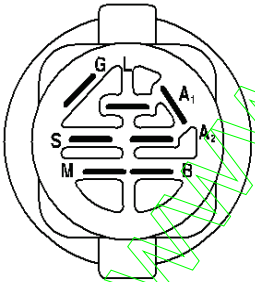
NOTE: All component dimensions given in U.S. inches
1 inch = 25.4 mm

REPAIR PARTS

TRACTOR - MODEL NO. LTH130 (HELTH130B), PRODUCT NO. 954 17 00-36 SCHEMATIC



NOTE
YOUR TRACTOR IS EQUIPPED WITH A SPECIAL ALTERNATOR SYSTEM. THE LIGHTS ARE NOT CONNECTED TO THE BATTERY, BUT HAVE THEIR OWN ELECTRICAL SOURCE. BECAUSE OF THIS, THE BRIGHTNESS OF THE LIGHTS WILL CHANGE WITH ENGINE SPEED. AT IDLE THE LIGHTS WILL DIM. AS THE ENGINE IS SPEEDED UP, THE LIGHTS WILL BECOME THEIR BRIGHTEST.



IGNITION SWITCH

| POSITION | CIRCUIT | "MAKE" |
|-----------|---------|--------|
| OFF | M+G+A1 | NONE |
| RUN/LIGHT | B+A1 | A2+L |
| RUN | B+A1 | NONE |
| START | B+S+A1 | NONE |

WIRING INSULATED CLIPS

NOTE: IF WIRING INSULATED CLIPS WERE REMOVED FOR SERVICING OF UNIT, THEY SHOULD BE REPLACED TO PROPERLY SECURE YOUR WIRING.

NON-REMOVABLE CONNECTIONS

REMOVABLE CONNECTIONS