

**ILLUSTRATED PARTS BREAKDOWN**

**HUSQVARNA**

**13 HP LAWN RIDER**

**MODEL NO. LTH130 (HFLTH130B)**

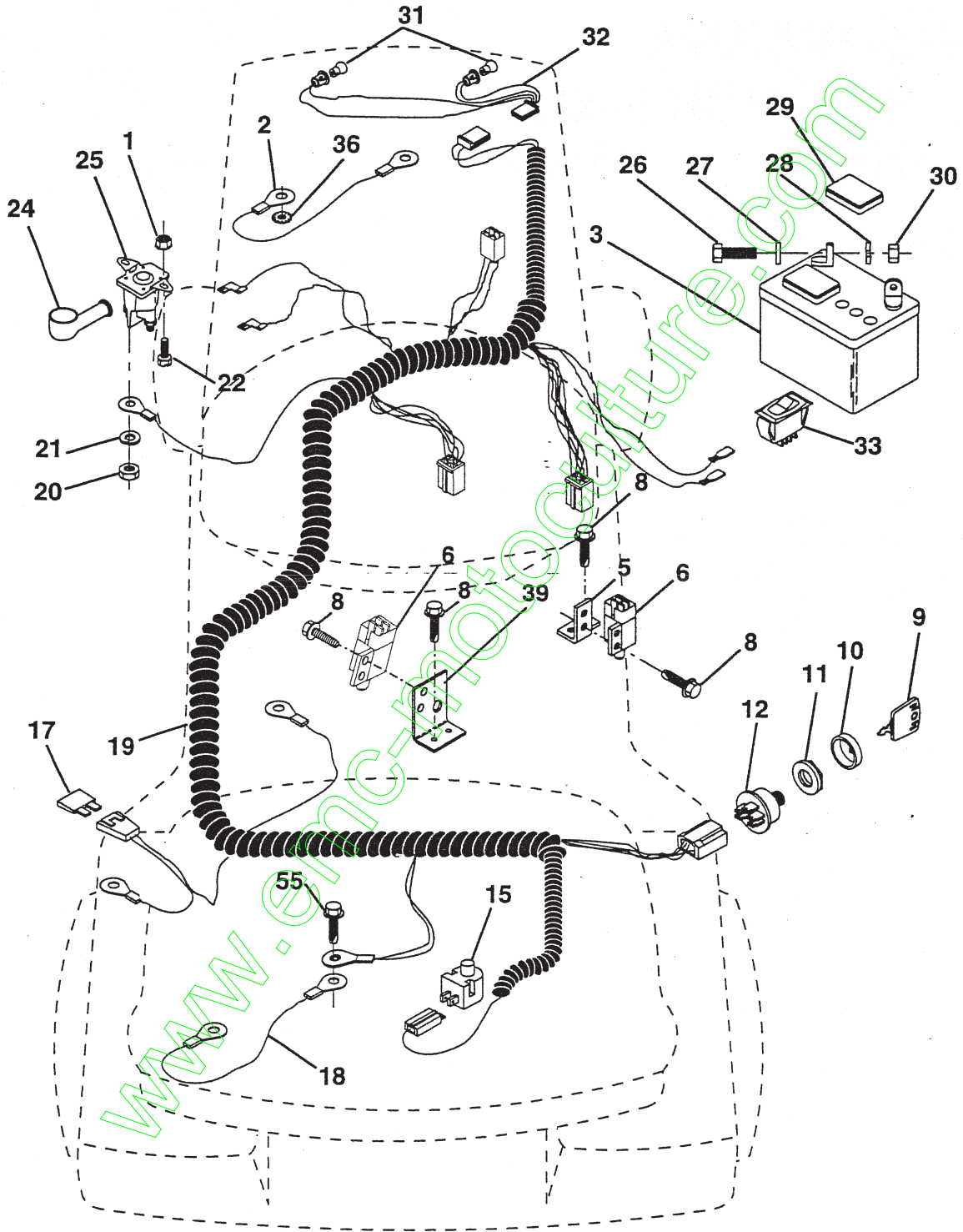
**954 00 16-02**

[www.emc-motoculture.com](http://www.emc-motoculture.com)

# REPAIR PARTS

TRACTOR -- MODEL NO. LTH130 (HFLTH130B), PRODUCT NO. 954 00 016-02

## ELECTRICAL



# REPAIR PARTS

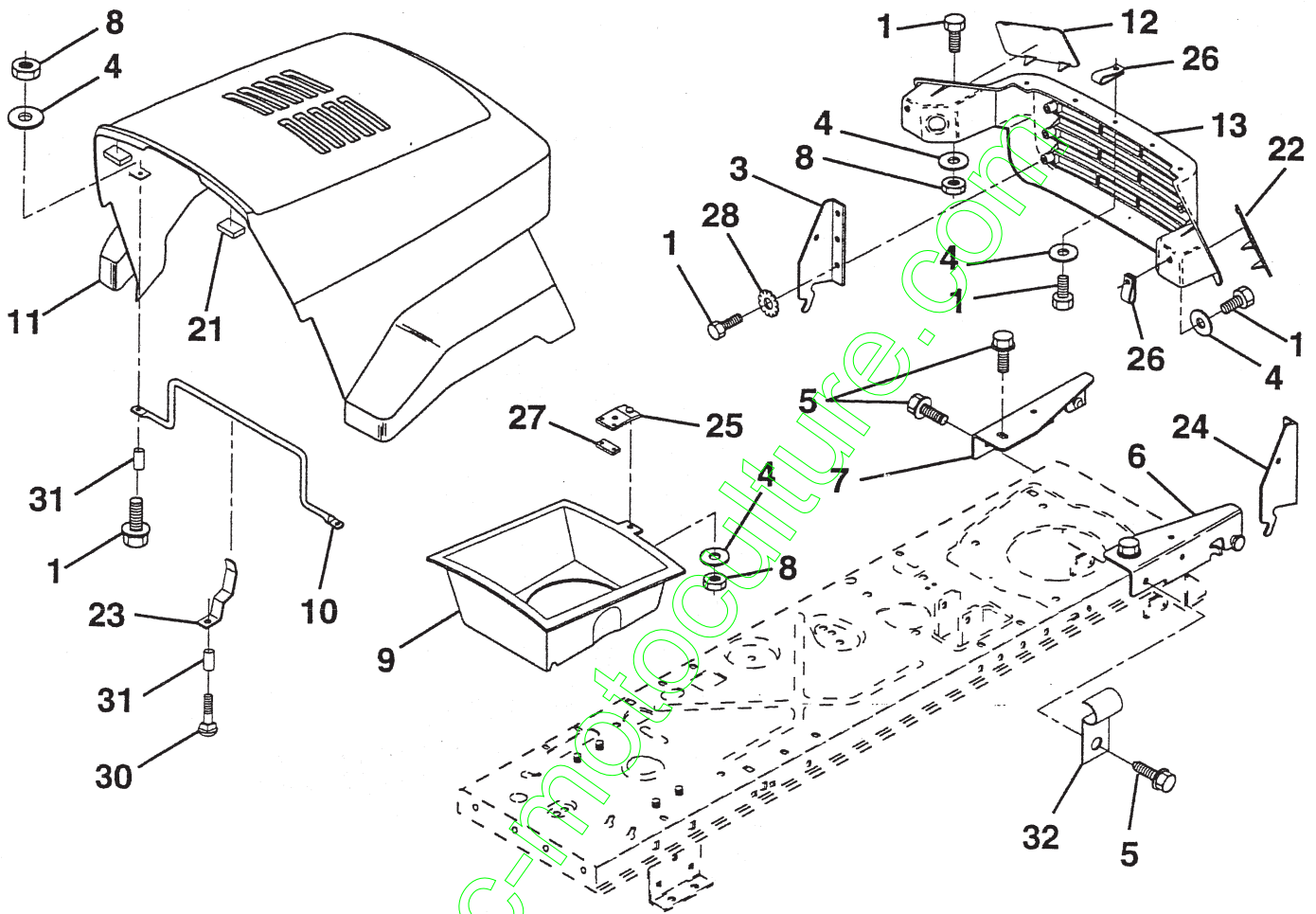
TRACTOR - - MODEL NO. LTH130 (HFLTH130B), PRODUCT NO. 954 00 016-02  
ELECTRICAL

KEY NO.	PART NO.	DESCRIPTION
1	873640400	Nut, Hex, Keps 1/4-20
2	532108423	Assembly, Cable
3	532133909	Battery
5	532108236	Bracket, Switch
6	532109553	Switch, Interlock, 4 Terminal
8	817021008	Screw, Hex Head, Self-Tapping #10-24 x 1/2
9	532140401	Key, Molded
10	532141226	Cover, Ignition Key
11	532140400	Nut, Ignition
12	532144921	Switch, Ignition
15	532121305	Switch, Plunger
17	532108824	Fuse
18	532128353	Assembly, Cable
19	532146064	Harness, Ignition
20	873350400	Nut, Hex, Jam 1/4-20
21	810090400	Washer, Lock 1/4
22	871110408	Bolt, Hex, Fin. 1/4-20 UNC x 1/2 Grade 5
24	532131563	Cover, Terminal
25	532145673	Solenoid
26	874760412	Bolt, Hex Head 1/4-20 UNC x 3/4
27	819091016	Washer 9/32 x 5/8 x 16 Gauge
28	810040400	Washer, Lock 1/4
29	532121264	Cap, Battery
30	873220400	Nut, Hex, Fin. 1/4-20 UNC
31	532004152	Bulb, Light
32	532142881	Harness, Headlight
33	532110712	Switch, Light
35	811050500	Washer, Lock, Ext. Tooth 5/16
36	811150400	Washer, Lock, Internal Tooth 1/4
39	532141735	Bracket, Switch Clutch
55	817490508	Screw, Thdrol 5/16-18 x 1/2

HARDWARE SHOWN LARGER FOR EASIER IDENTIFICATION

# REPAIR PARTS

TRACTOR -- MODEL NO. LTH130 (HFLTH130B), PRODUCT NO. 954 00 16-02  
HOOD

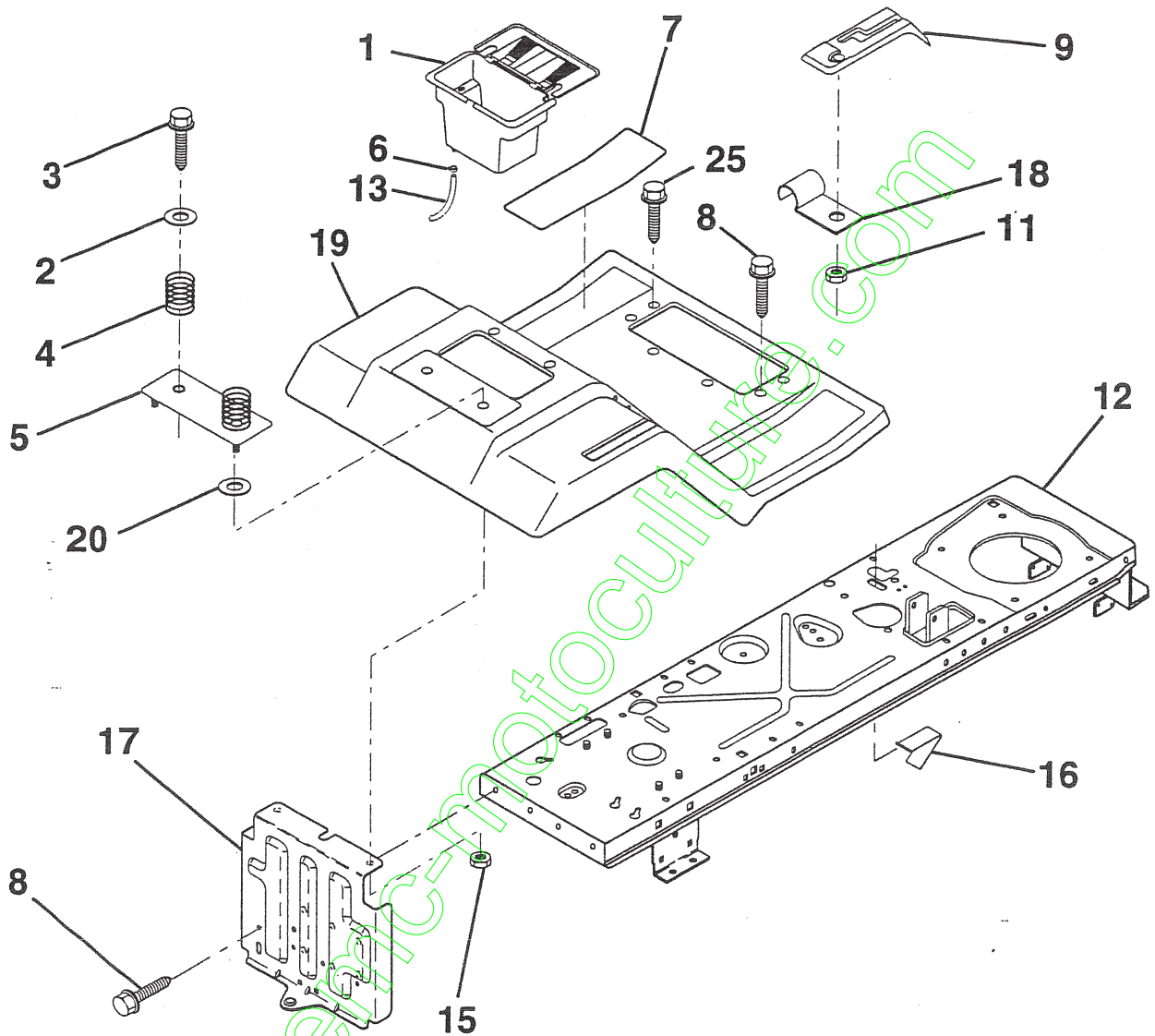


KEY NO.	PART NO.	DESCRIPTION	KEY NO.	PART NO.	DESCRIPTION
1	874780410	Bolt Fin Hex 1/4-20 x 5/8	13	532130984	Grille
3	532128445	Bracket Pivot Hood LH	21	532126938	Bumper Hood
4	819091016	Washer, Flat 1/4	22	532130985	Lens RH
5	817490512	Screw Thdrol 5/16-28 x 3/4	23	532139969	Latch Hood
6	532140051	Bracket Asm. Pivot Hood RH	24	532142873	Bracket Pivot Hood RH
7	532140050	Bracket Asm. Pivot Hood LH	25	532138740	Clip Asm. Duct Air
8	873680400	Nut Crownlock 1/4-20	26	532052921	Clip Tinnerman
9	532123840	Duct Air Hood	27	532131028	Clip Tinnerman
10	532130850	Brace Hood	28	811050400	Washer Lock Ext. Tooth
11	532140142	Hood	30	874780424	Bolt Hex Fin 1/4-20 x 1-1/2
12	532130986	Lens LH	31	532147831	Spacer
			32	532124996	Clip Line Fuel

HARDWARE SHOWN LARGER FOR EASIER IDENTIFICATION

# REPAIR PARTS

TRACTOR -- MODEL NO. LTH130 (HFLTH130B), PRODUCT NO. 954 00 16-02  
FENDER/CHASSIS



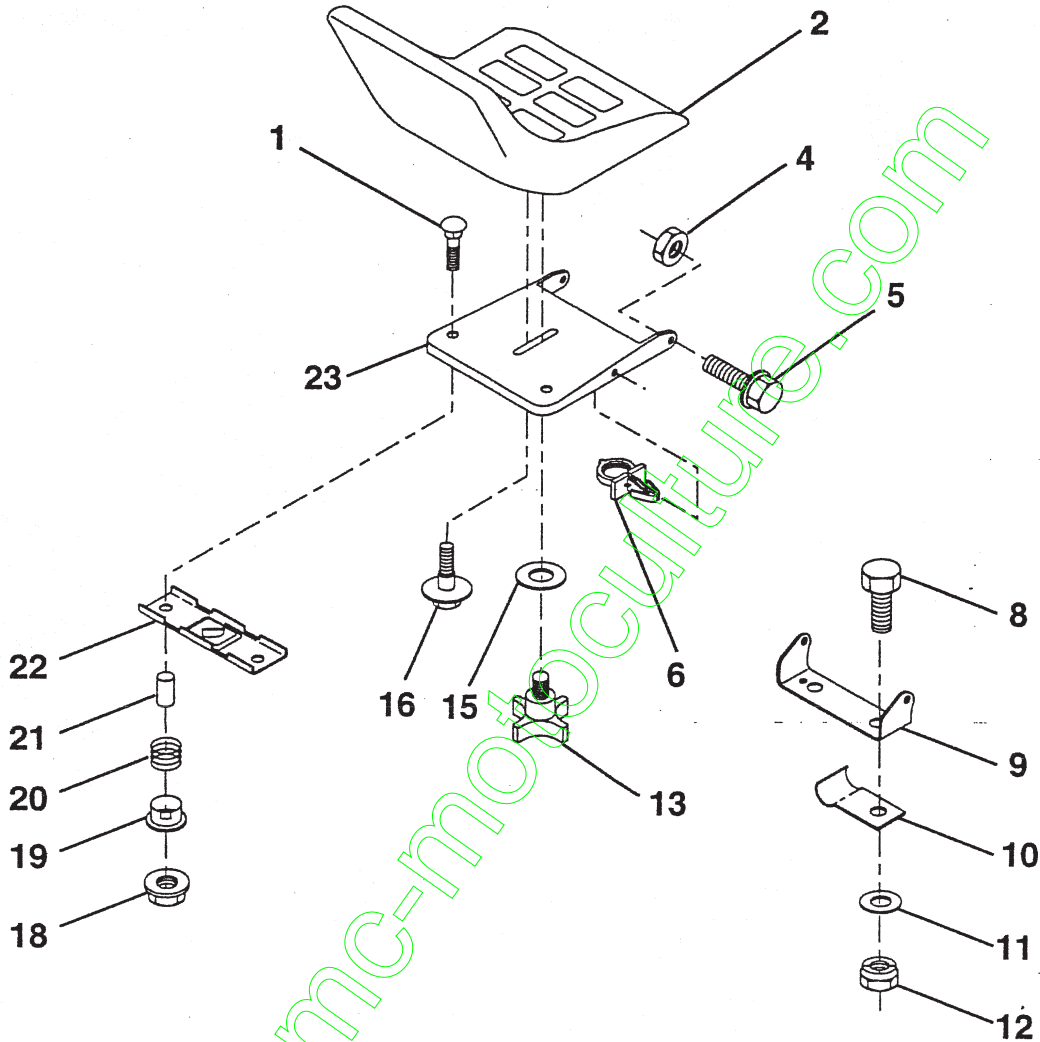
KEY NO.	PART NO.	DESCRIPTION	KEY NO.	PART NO.	DESCRIPTION
1	532129965	Case, Battery	11	532124346	Nut, Self-Threading, Wsher Hd 3/16
2	819132012	Washer 13/32 x 1-1/4 x 12 Ga.	12	532145190	Chassis Asm, Weldment
3	817490612	Screw, Hex Wsh. Thrdrol 3/8-16 x 3/4	13	532109238	Tube, Battery Drain
4	532124181	Spring, Compression, Seat	15	873640400	Nut, Keps 1/4-20 UNC
5	532125142	Plate, Asm. Battery	16	532141736	Switch Actuator
6	532109596	Clamp, Hose	17	532140782	Drawbar
7	532126700	Pad, Footrest	18	532126470	Clip, Insulated
8	817490512	Screw Thdrol 5/16-18 x 3/4	19	532141393	Fender/Footrest
9	532140919	Console, Shift Control	20	819091413	Washer 9/32 x 7/8 x 13 Ga.
			25	817490516	Scr-Hx Wsh Thd Rol 5/16-18 x 1

HARDWARE SHOWN LARGER FOR EASIER IDENTIFICATION

# REPAIR PARTS

TRACTOR -- MODEL NO. LTH130 (HFLTH130B), PRODUCT NO. 954 00 16-02

## SEAT



KEY NO.	PART NO.	DESCRIPTION
1	872050411	Bolt, Carriage 1/4-20 x 1-3/8
2	532141525	Seat
4	873800500	Nut, Crownlock 5/16-18
5	532139888	Bolt, Shoulder 5/16-18 UNC
6	532145006	Clip, Push In
8	874760616	Bolt, Fin Hex 3/8-16 UNC x 1
9	532140551	Bracket, Pivot Seat
10	532126471	Clip, Insulated
11	819133210	Washer 12/32 x 2 x 10 Ga.
12	873800600	Nut, Lock Hex w/Wsh 3/8-16 UNC

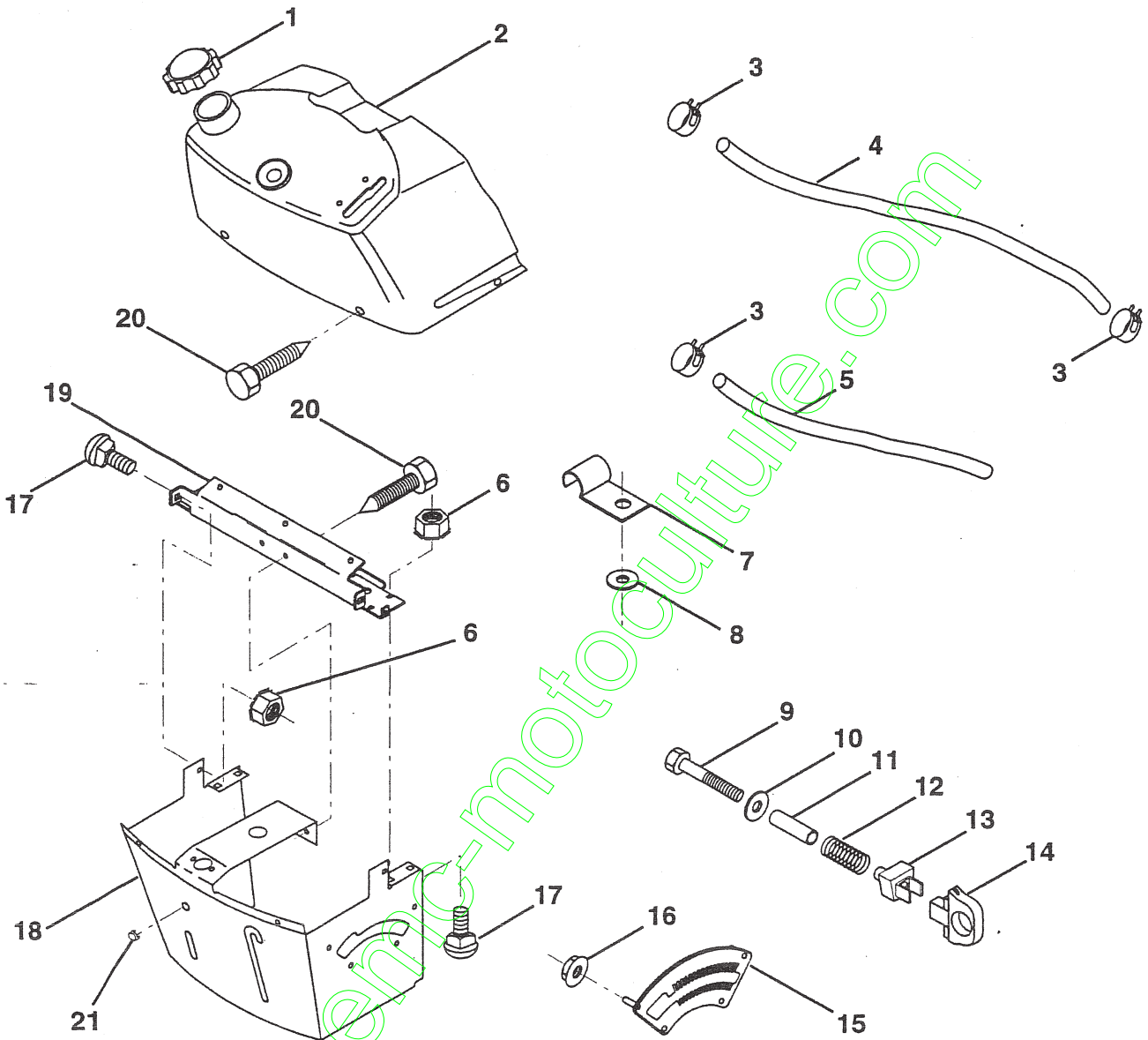
KEY NO.	PART NO.	DESCRIPTION
13	532120068	Knob
15	819171912	Washer, 17/32 x 1-3/16 x 12 Ga.
16	532127018	Bolt, Shoulder
18	532123976	Nut, Hex Large Flange Lock
19	532121248	Bushing, Snap
20	532121250	Spring, Compression
21	532134300	Spacer, Split 28 Id. x .88 Lg.
22	532121246	Bracket, Switch, Mounting
23	532140552	Pan, Seat

HARDWARE SHOWN LARGER FOR EASIER IDENTIFICATION

# REPAIR PARTS

TRACTOR - - MODEL NO. LTH130 (HFLTH130B), PRODUCT NO. 954 00 16-02

DASH



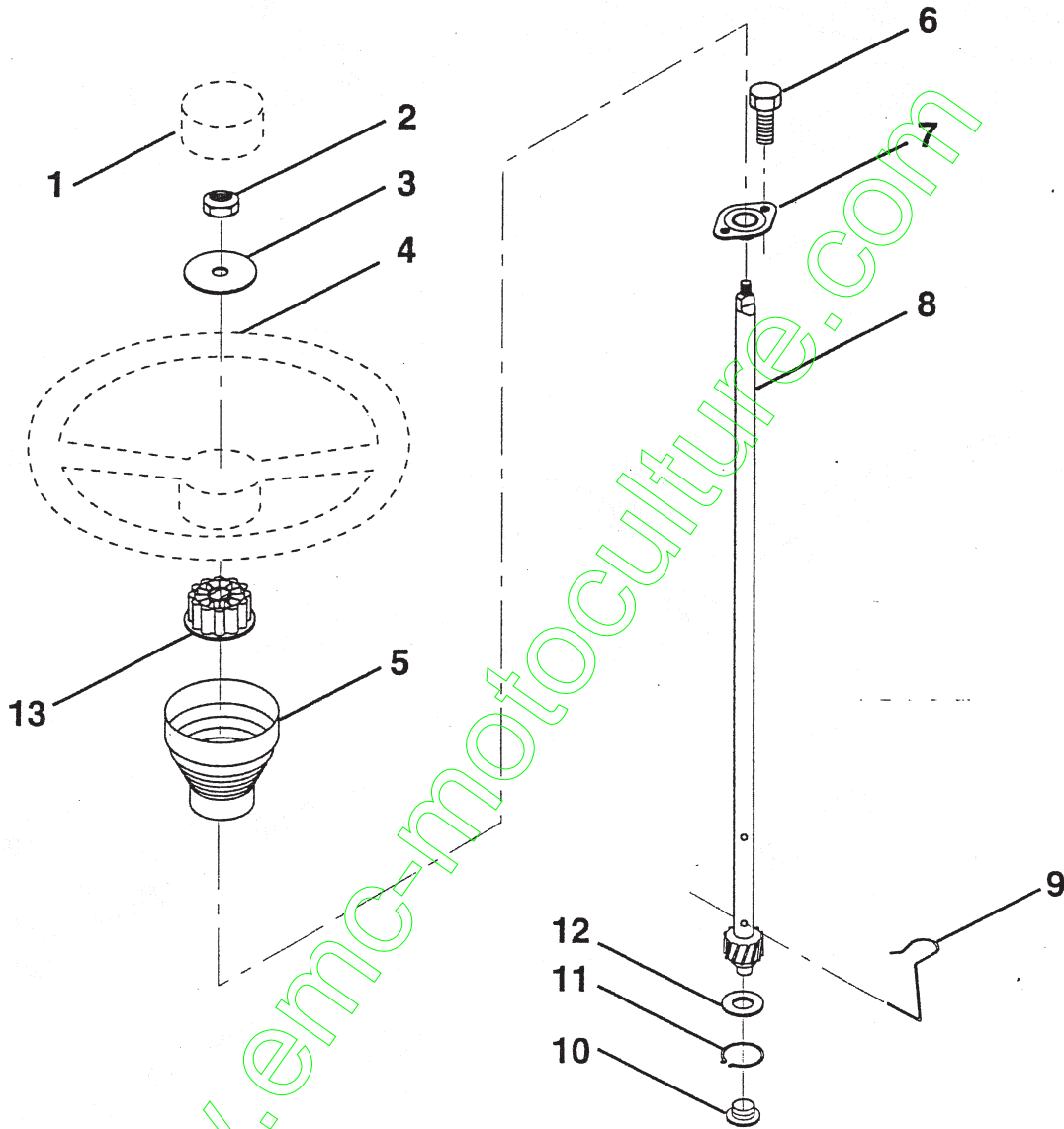
KEY NO.	PART NO.	DESCRIPTION	KEY NO.	PART NO.	DESCRIPTION
1	532142187	Cap, Fuel	12	532003720	Spring
2	532138395	Assembly, Dash & Fuel Tank	13	532126450	Clip, Height Adjustment
3	532123487	Clamp, Hose	14	532126115	Knob, Height Stop
4	532008544	Line, Fuel	15	532122023	Adjustment, Quadrant Height
5	532008548	Line, Fuel	16	532124346	Nut, Self-Threading 3/16-18
6	873640400	Nut, Hex, Keps 1/4-20	17	872110404	Bolt, Carriage 1/4-20 x 1/2 Gr. 5
7	532124996	Clip, Fuel Line	18	532130745	Support Assembly, Dash
8	819091216	Washer 9/32 x 3/4 x 16 Ga.	19	532134744	Brace, Cross
9	874760428	Bolt, Hex, Fin 1/4-20 x 1-3/4	20	817060408	Screw, Self-Tapping 1/4-20 x 1/2
10	819091413	Washer 11/32 x 11/16 x 16 Ga.	21	532134014	Plug Dome Black
11	532121249	Spacer, Split			

HARDWARE SHOWN LARGER FOR EASIER IDENTIFICATION

# REPAIR PARTS

TRACTOR -- MODEL NO. LTH130 (HFLTH130B), PRODUCT NO. 954 00 16-02

## STEERING WHEEL



KEY NO.	PART NO.	DESCRIPTION
1	532124416	Insert, Wheel, Steering
2	532124701	Nut, Lock 3/8-24 UNF
3	819133808	Washer 12/32 x 2-3/8 x 8 Ga.
4	532124415	Wheel, Steering
5	532127396	Sleeve, Steering
6	817431008	Screw, Hex #10-16 x 1/2 TY-B
7	532102803	Bushing, Steering

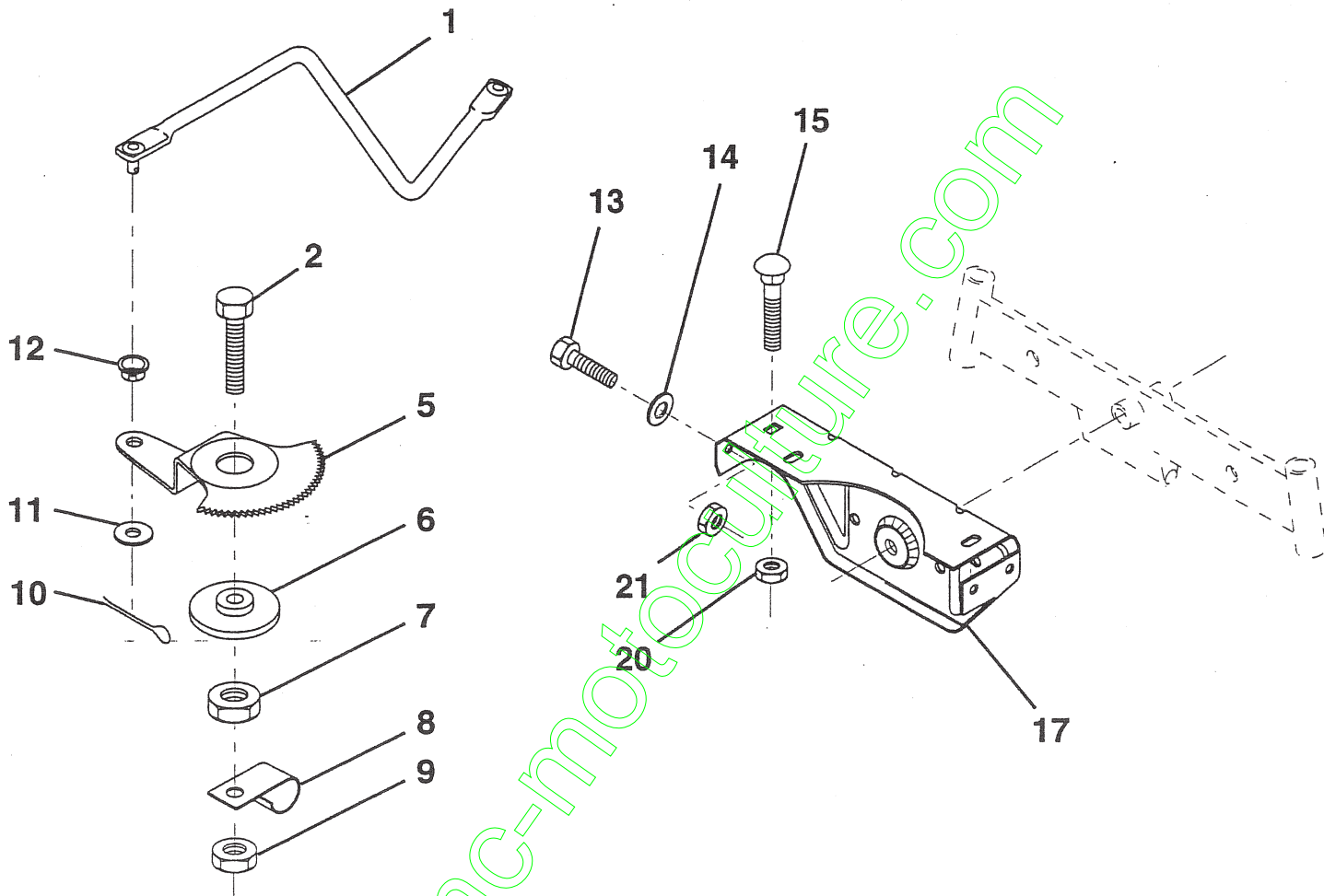
KEY NO.	PART NO.	DESCRIPTION
8	532123651	Shaft, Steering
9	532124210	Clip, Steering
10	532123438	Bushing, Lower, Steering
11	812000045	Ring, Retaining
12	819211616	Washer 21/32 x 1 x 16 Ga.
13	532104820	Adaptor, Wheel, Steering

HARDWARE SHOWN LARGER FOR EASIER IDENTIFICATION



# REPAIR PARTS

TRACTOR -- MODEL NO. LTH130 (HFLTH130B), PRODUCT NO. 954 00 16-02  
SECTOR GEAR/AXLE SUPPORT

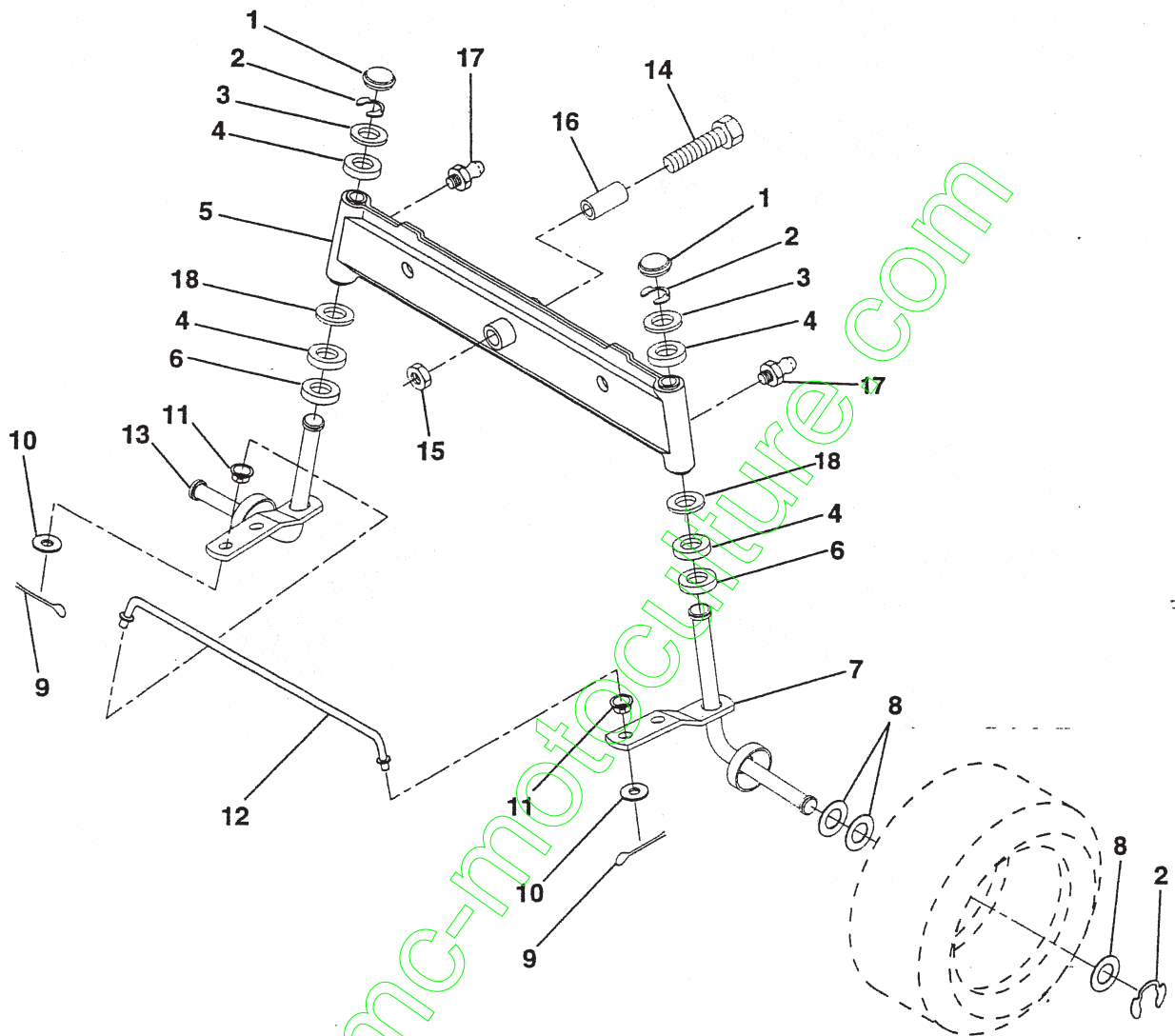


KEY NO.	PART NO.	DESCRIPTION	KEY NO.	PART NO.	DESCRIPTION
1	532132566	Link, Drag	11	819131316	Washer, 13/32 x 13/16 x 16 Ga.
2	874780828	Bolt, Fin Hex 1/2-13 x 1-3/4	12	532126847	Bushing
5	532121926	Gear, Sector	13	874760512	Bolt, Hex Hd. 5/16-18 UNC x 3/4
6	532121927	Bushing	14	819111416	Washer 11/32 x 7/8 x 16 Ga.
7	873030800	Nut, Heavy Hex Top Lock 1/2-13 UNC	15	872110606	Bolt, Carriage 3/8-16 UNC x 3/4
8	532126472	Clip, Insulated	17	532137096	Support, Front Axle
9	873680800	Nut, Crownlock 3/8-16	20	873680600	Nut, Crownlock 3/8-16 UNC
10	876020412	Pin, Cotter 1/8 x 3/4	21	873680500	Nut, Crownlock 5/16-18

HARDWARE SHOWN LARGER FOR EASIER IDENTIFICATION

# REPAIR PARTS

TRACTOR -- MODEL NO. LTH130 (HFLTH130B), PRODUCT NO. 954 00 16-02  
FRONT AXLE



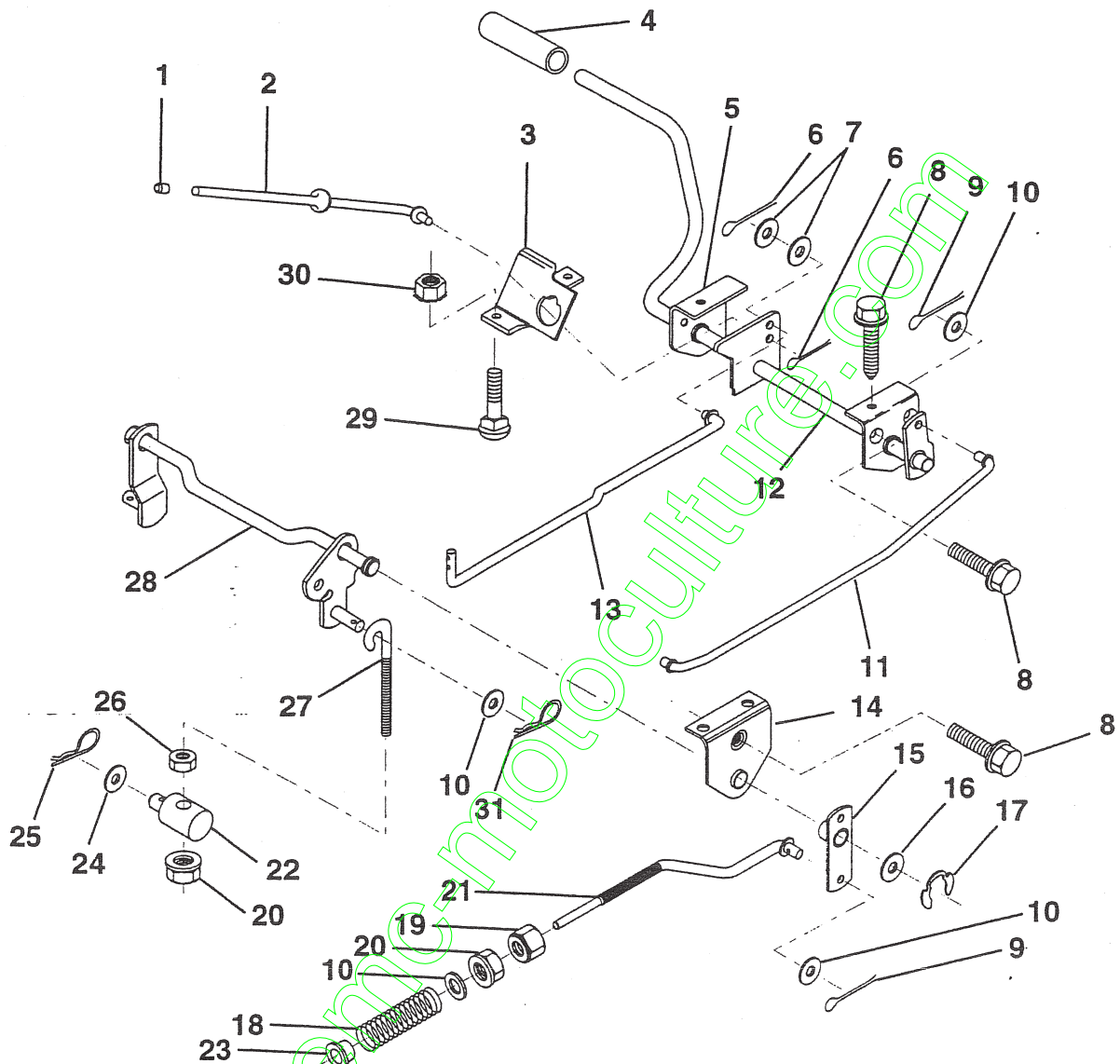
KEY NO.	PART NO.	DESCRIPTION	KEY NO.	PART NO.	DESCRIPTION
1	532121232	Cap, Spindle	10	819131316	Washer 13/32 x 13/16 x 16 Ga.
2	812000029	Ring, Clip	11	532126847	Bushing
3	532121748	Washer 25/32 x 1-5/8 x 16 Ga.	12	532130465	Rod, Tie
4	532124937	Nyliner	13	532137061	Spindle, L.H. Asm.
5	532142033	Axle, Front	14	874011056	Bolt Hex 5/1-11 x 3-1/2
6	532124931	Bearing, Thrust	15	873901000	Nut, Lock Flange 5/8-11
7	532137062	Spindle, R.H. Asm.	16	532110438	Spacer Bearing Axle
8	532121749	Washer 25/32 x 1-1/4 x 16 Ga.	17	532124836	Fitting Grease
9	876020412	Pin, Cotter 1/8 x 3/4	18	819272016	Washer 27/32 x 1-1/4 x 16 Ga.

HARDWARE SHOWN LARGER FOR EASIER IDENTIFICATION

# REPAIR PARTS

TRACTOR -- MODEL NO. LTH130 (HFLTH130B), PRODUCT NO. 954 00 16-02

## BRAKE / REAR MOWER LIFT ASSEMBLY

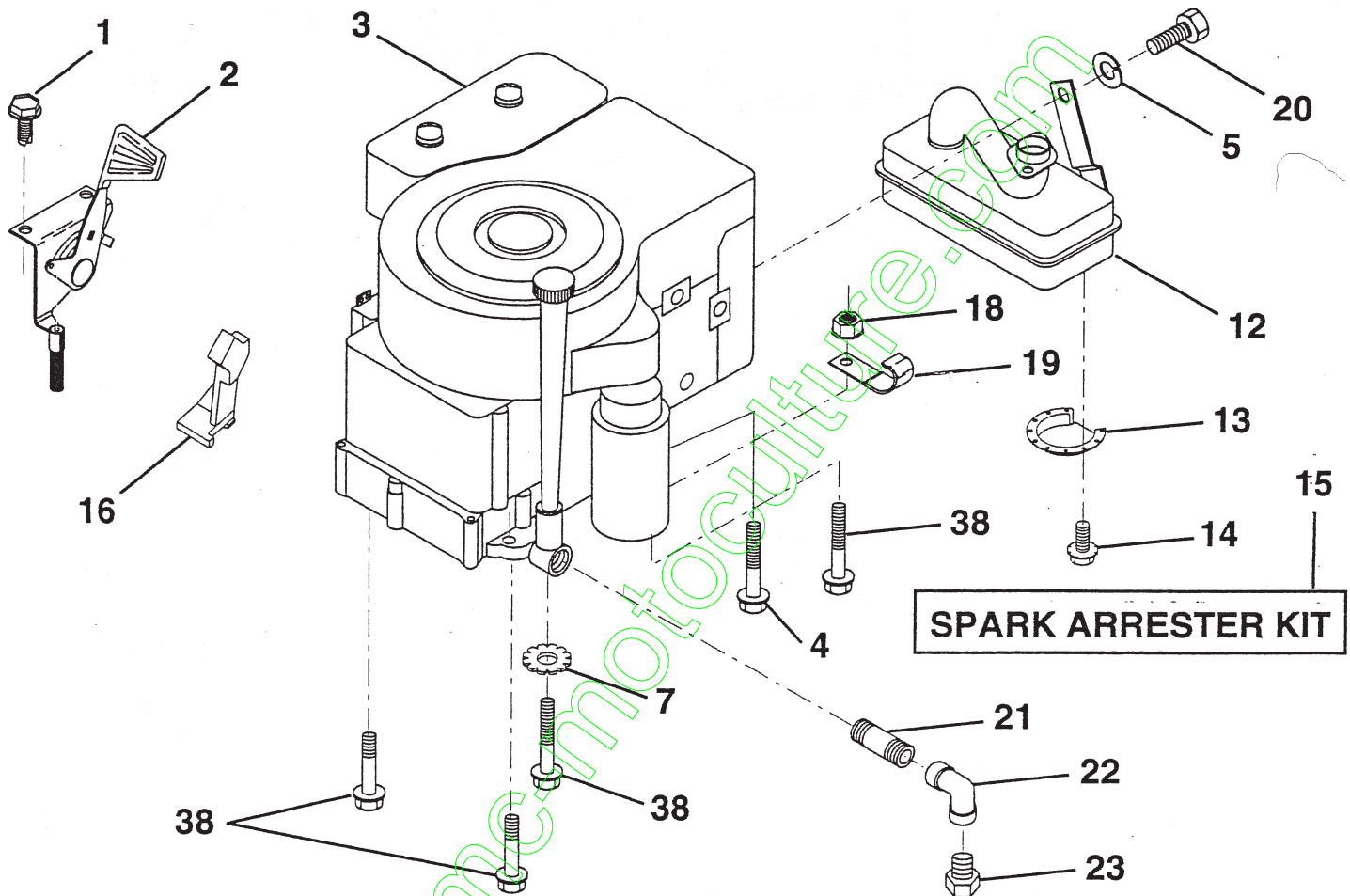


KEY NO.	PART NO.	DESCRIPTION	KEY NO.	PART NO.	DESCRIPTION
1	532071673	Cap, Plunger	16	819251816	Washer 25/32 x 1-1/8 x 16 Ga.
2	532123436	Rod, Parking Brake	17	812000034	Ring, Klip
3	532123437	Bracket, Parking Brake	18	532106888	Spring, Brake Rod
4	532008156	Cover, Pedal	19	873350600	Nut, Hex, Jam 3/8-16 UNC
5	532122504	Bracket, Clutch/Brake Pedal, L.H.	20	873680600	Nut, Crownlock 3/8-16
6	876020312	Pin, Cotter 3/32 x 3/4	21	532144413	Rod, Brake
7	819131016	Washer 13/32 x 5/8 x 16 Ga.	22	532144585	Trunnion, Lift
8	817490508	Screw, Hex, Thd. Roll. 5/16-18 x 1/2	23	532126847	Bushing, Link, Drag
9	876020412	Pin, Cotter 1/8 x 3/4	24	819132012	Washer 13/32 x 1-1/4 x 12 Ga.
10	819131316	Washer 13/32 x 13/16 x 16 Ga.	25	532124961	Spring, Retainer
11	532123543	Rod, Brake Front	26	873930600	Nut, Centerlock 3/8-16 UNC
12	532139933	Assembly, Clutch/Brake	27	532127369	Link, Threaded
13	532123394	Rod, Clutch	28	532140776	Assembly, Rear Mower Lift
14	532121978	Bracket, Lift, Shaft	29	872110506	Bolt, Carriage 5/16-18 UNC x 3/4
15	532133332	Assembly, Brake, Pivot, Arm	30	873510500	Nut, Keps 5/16-16 UNC
			31	532124660	Retainer, Spring, Zinc

HARDWARE SHOWN LARGER FOR EASIER IDENTIFICATION

# REPAIR PARTS

TRACTOR -- MODEL NO. LTH130 (HFLTH130B), PRODUCT NO. 954 00 16-02  
ENGINE



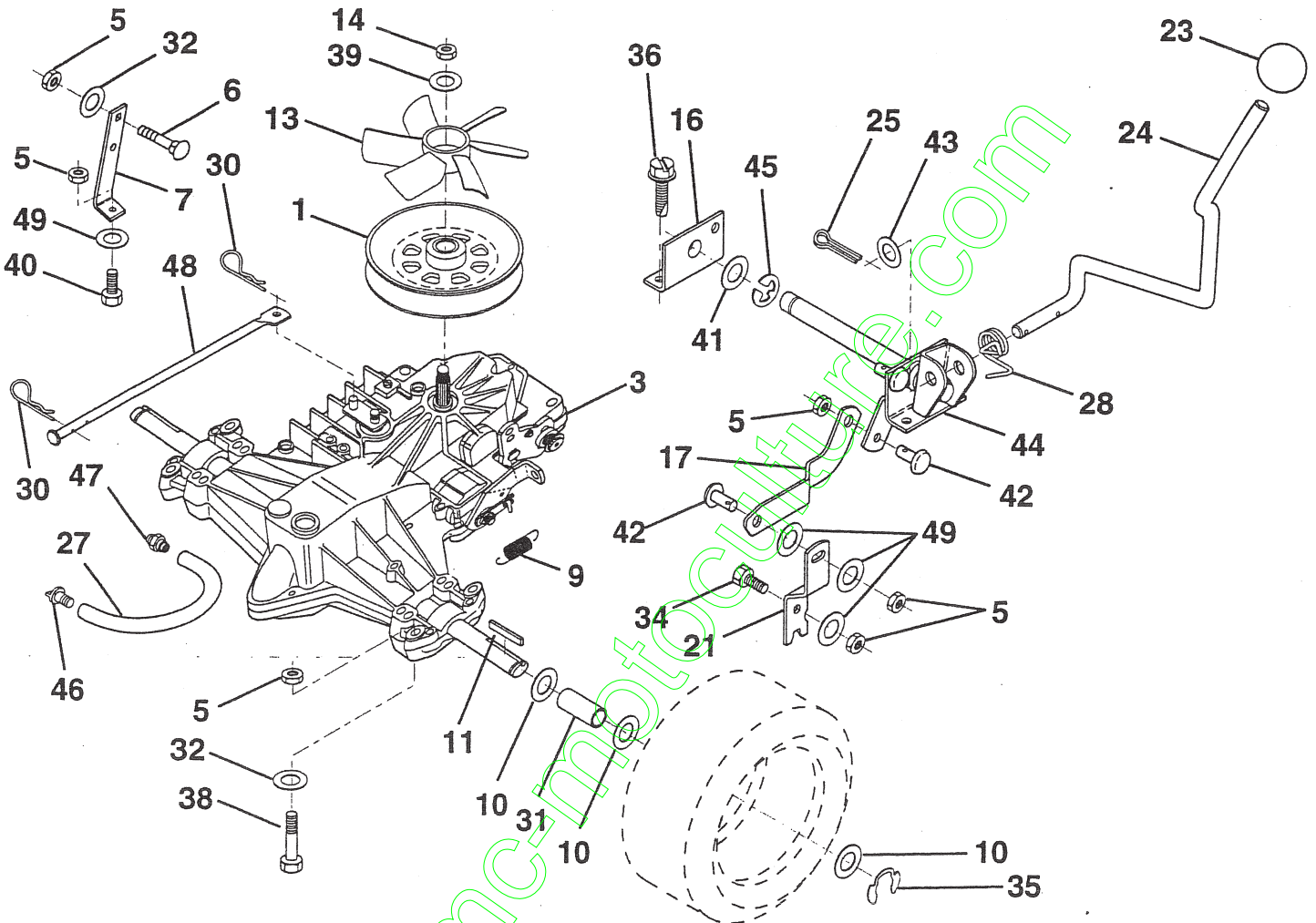
KEY NO.	PART NO.	DESCRIPTION	KEY NO.	PART NO.	DESCRIPTION
1	817060408	Screw, Hex, Thd. Cut 1/4-20 x 1/2	15	532137180	Arrester, Spark (Optional equipment)
2	532132751	Control, Throttle	16	532135502	Stop, Throttle
3	532139106	Engine, Kohler Model CV14	18	873510600	Nut, Lock, Hex 3/8-16
4	873510400	Nut, Keps, Hex 1/4-20	19	532124996	Clip, Insulated
5	810040500	Washer, Lock, Heavy Helical Spring 5/16	20	874760508	Bolt, Hex, Fin. 5/16-18 x 1/2
7	811050600	Washer, Lock Ext. Tooth 3/8	21	813280328	Nipple, Pipe
12	532138149	Muffler	22	813200300	Elbow
13	532101326	Deflector, Muffler	23	-----	Plug, Oil Drain (Order from Engine Mfg.)
14	817030808	Screw, Spiderlock, Hex	38	532125398	Bolt, Hex

HARDWARE SHOWN LARGER FOR EASIER IDENTIFICATION

# REPAIR PARTS

TRACTOR -- MODEL NO. LTH130 (HFLTH130B), PRODUCT NO. 954 00 016-02

## TRANSAXLE



KEY NO.	PART NO.	DESCRIPTION
1	532140779	Pulley, V-Groove
3	532140607	Transaxle, Hydro 0310-0500
5	873800500	Nut
6	872140506	Bolt, Carriage
7	532140774	Strap, Torque
9	532110422	Spring, Brake
10	532121749	Washer 25/32 x 1-1/4 x 16 Gauge
11	532123583	Key, Square
13	532140778	Fan, Transaxle, Hydro
14	532009204	Nut
16	532140763	Support, Shift Handle
17	532140767	Link, Shift
21	532140773	Lever, Shift
23	532140845	Knob, Shifter
24	532140765	Rod, Shifter
25	876020416	Pin, Cotter
27	532142564	Hose, Vent
28	532140772	Spring, Torsion

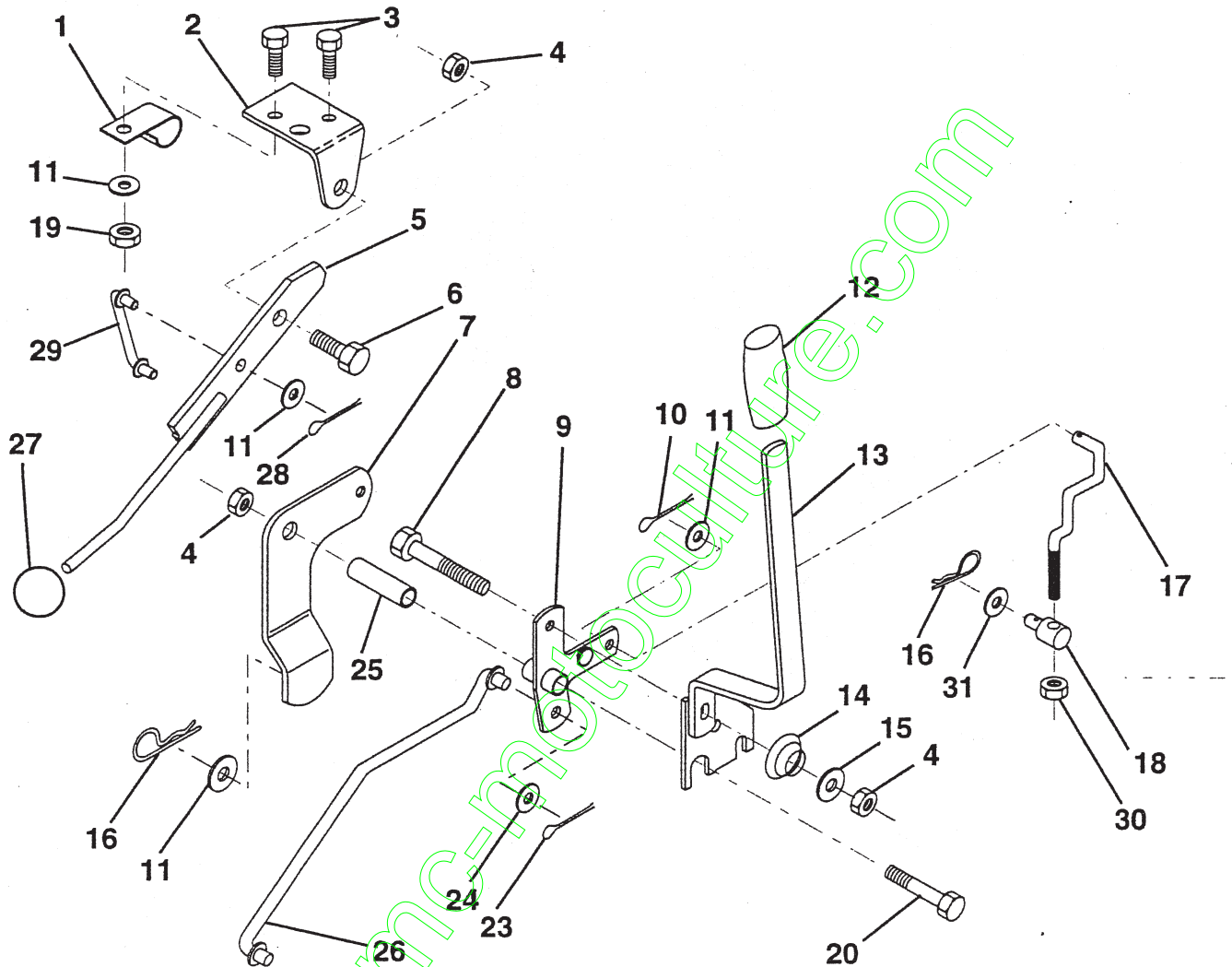
KEY NO.	PART NO.	DESCRIPTION
30	532124788	Retainer, Spring
31	532121199	Spacer
32	819111116	Washer
34	874760516	Bolt, Hex Head 5/16-18 x 1
35	812000001	E-Ring
36	817720408	Screw, Thd. Cut 1/4-20 x 1/2
38	874760540	Bolt, Hex Head
39	819171912	Washer
40	874760524	Bolt
41	819212013	Washer
42	532140769	Pin, Pivot
43	819171216	Washer
44	532140764	Pivot Shaft Assembly
45	812000002	E-Ring
46	-----	Cap, Vent Hose
47	-----	Nipple, Vent Hose
48	532140912	Actuator, Bypass, Hydro
49	819111216	Washer

HARDWARE SHOWN LARGER FOR EASIER IDENTIFICATION

# REPAIR PARTS

TRACTOR -- MODEL NO. LTH130 (HFLTH130B), PRODUCT NO. 954 00 016-02

## MOWER LIFT LEVER

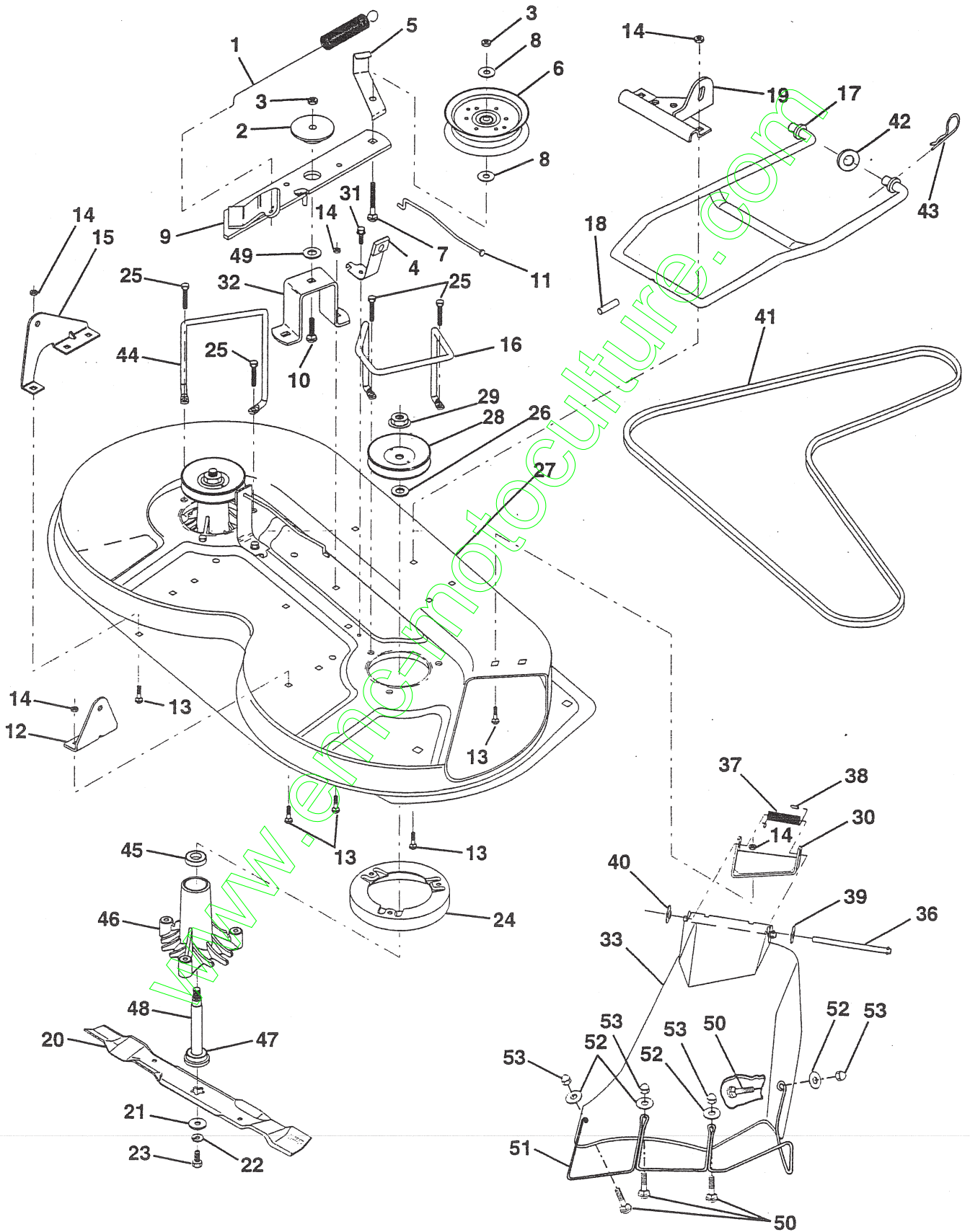


KEY NO.	PART NO.	DESCRIPTION	KEY NO.	PART NO.	DESCRIPTION
1	532126470	Clip, Insulated	15	819131212	Washer 13/32 x 3/4 x 12 Ga.
2	532122018	Bracket, Mower Clutch	16	532124961	Retainer, Spring
3	871110408	Bolt, Fin. Hex 1/4-20 UNC x 1/2 Gr. 5	17	532127359	Link, Front Lift
4	873680600	Nut, Crownlock 3/8-16	18	532142028	Trunnion, Adj.
5	532145187	Assembly, Clutch Lever	19	873680400	Nut, Crownlock 1/4-20
6	532106451	Bolt, Shoulder	20	874760644	Bolt, Fin. Hex 3/8-16 UNC x 2-3/4
7	532135371	Assembly, Mower Clutch Arm	23	876020416	Pin, Cotter 1/8 x 1
8	874760636	Bolt, Hex 3/8-16 UNC x 2-1/4	24	819171612	Washer 17/32 x 1 x 16 Ga.
9	532121930	Assembly, Bellcrank Lift	25	532121933	Tube, Spacer
10	876020412	Pin, Cotter 1/8 x 3/4	26	532141470	Rod, Mower Lift
11	819131316	Washer 13/32 x 13/16 x 16 Ga.	27	532121466	Knob
12	532122027	Grip, Handle	28	876020312	Pin, Cotter 3/32 x 3/4
13	532139352	Assembly, Lift Handle	29	532131655	Link, Mower Clutch
14	532123496	Spring, Compression	30	873350600	Nut, Hex Jam 3/8-16 x 1.30
			31	819132012	Washer 13/32 x 1-1/4 x 12 Ga.

HARDWARE SHOWN LARGER FOR EASIER IDENTIFICATION

# REPAIR PARTS

TRACTOR -- MODEL NO. LTH130 (HFLTH130B), PRODUCT NO. 954 00 016-02  
MOWER DECK



# REPAIR PARTS

TRACTOR -- MODEL NO. LTH130 (HFLTH130B), PRODUCT NO. 954 00 016-02  
MOWER DECK

KEY NO.	PART NO.	DESCRIPTION	KEY NO.	PART NO.	DESCRIPTION
1	532140064	Spring, Mower Clutch	29	532137266	Nut, Flangelock 9/16
2	532122052	Spacer, Retainer	30	532136631	Bracket, Asm. Deflector
3	873680600	Nut, Crownlock 3/8-16	31	817490508	Screw, Hex Wsh. Thdrol. 5/16-18 x 1/2
4	532130840	Brake Asm.	32	532122051	Arm, Support Idler Mower
5	532131251	Guide, Belt Idler	33	532139083	Deflector
6	532121316	Pulley, Flat Idler	36	532121980	Rod, Hinge
7	872110616	Bolt, Carr. 3/8-16 x 1-3/4 Gr. 5	37	532123713	Spring, Torsion Deflector
8	819131410	Washer 13/21 x 7/8 x 10 Ga.	38	532105304	Cap, Sleeve
9	532127744	Arm Asm., Idler Mower	39	819111016	Washer 11/32 x 5/8 x 16 Ga.
10	872140610	Bolt, Carriage 3/8-16 x 1-1/4	40	532110452	Pushnut
11	532130841	Rod, Brake	41	532131264	V-Belt
12	532127356	Bracket, Lift R. H. Rear	42	819171616	Washer 11/32 x 5/8 16 Ga.
13	872140506	Bolt, Carriage 5/16-18 x 5/8	43	532124660	Retainer, Spring
14	873680500	Nut, Crownlock 5/16-18	44	532140608	Keeper, L. H.
15	532127357	Bracket, Lift L. H. Rear	45	532110485	Bearing
16	532140093	Keeper, R. H.	46	532128774	Housing Mandrel Vented
17	532128508	Link, Asm. Mower Stabilizer	47	532129895	Bearing
18	532128511	Pin, Drive	48	532137645	Shaft, Mandrel (Includes Key # 47)
19	532127380	Bracket, Asm. Front	49	532133943	Washer Hardened
20	532138496	Blade, Mwr. 36" High Lift	50	532145989	Bolt, Rd. Hd. Sqnk M5 x 0.8 x 16
21	532140296	Washer, Hard	51	532136383	Guard, Dftr. Mwr. 36 Tuv
22	810030600	Washer, Lock 3/8	52	819070718	Washer 7/32 x 7/16 x 18
23	532850857	Bolt 3/8-24 x 1-1/4 Gr. 8	53	532145990	Nut, Acorn M5 x 0.8
24	532140329	Stripper	--	532130794	Mandrel Asm. (Includes Key No.'s 22-23, 26, 29 and 45-48)
25	532138776	Screw Thdrol Hex Hd	--	532144973	Deck, Mower Complete
26	532129963	Washer .150 Thk.			
27	532129983	Deck Assembly			
28	532129207	Pulley, Mandrel			

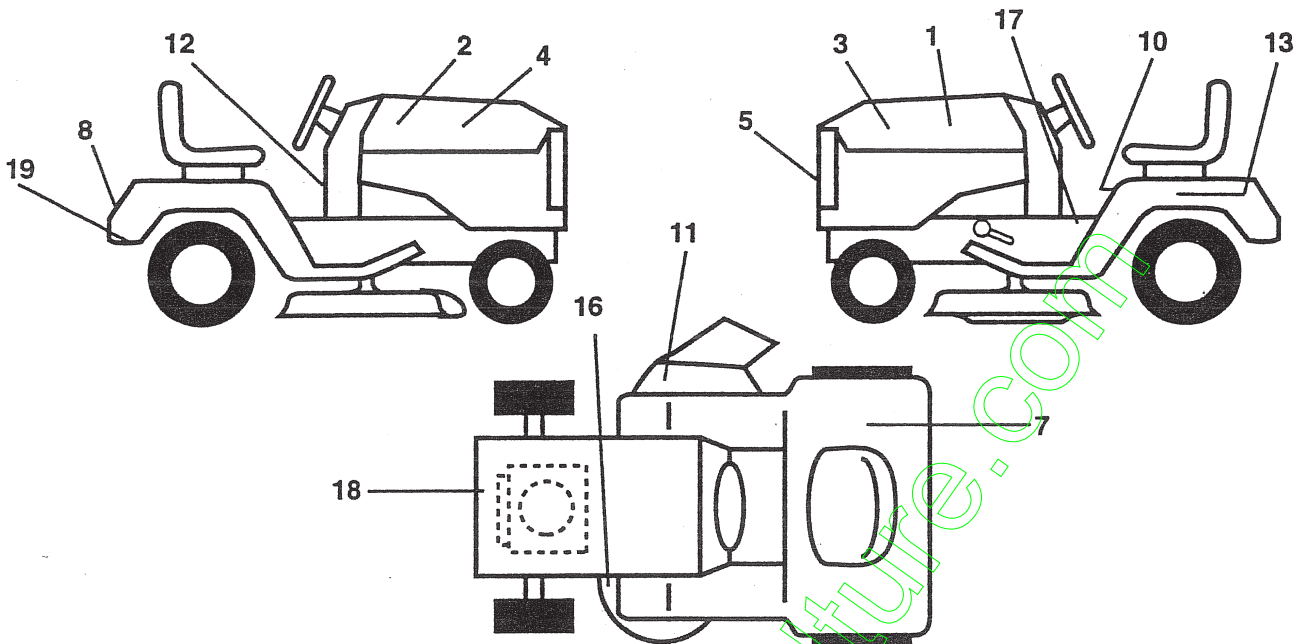
HARDWARE SHOWN LARGER FOR EASIER IDENTIFICATION



# REPAIR PARTS

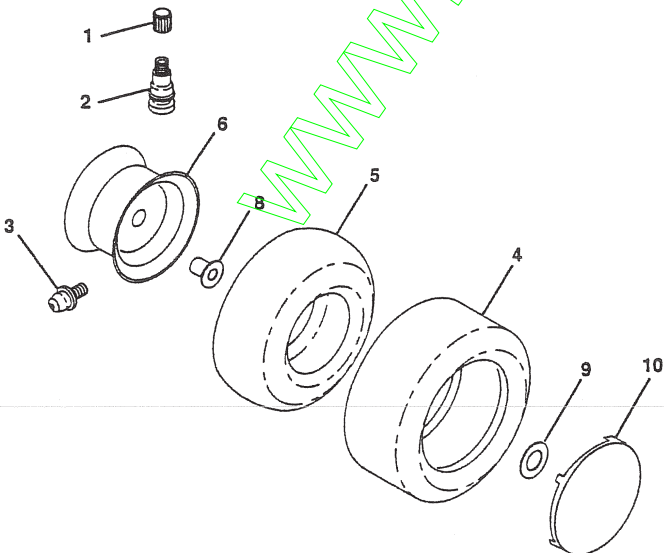
TRACTOR -- MODEL NO. LTH130 (HFLTH130B), PRODUCT NO. 954 00 16-02

## DECALS



KEY NO.	PART NO.	DESCRIPTION	KEY NO.	PART NO.	DESCRIPTION
1	532140206	Decal, Hood, L. H., Husqv.	13	532121549	Decal, Caution, Battery
2	532140205	Decal, Hood, R. H., Husqv.	16	532136830	Decal, V-Belt Sch.
3	532141281	Decal, Hood, L. H.	17	532145545	Decal, Operating, Inst. Syms.
4	532141280	Decal, Hood, R. H.	18	532141875	Decal, Engine
5	532140213	Decal, Logo, Grill	19	532141484	Decal, Drawbar
7	532125690	Decal, 100 DBA	--	532146054	Manual, Operator's
8	532131582	Decal, Logo, Fender	Accessories not included with tractor:		
10	532145498	Decal, Read, Owners, Manual	--	CE36	Rear Bagger
11	532145494	Decal, Cut Finger, International	--	MK360	Mucher Kit
12	532145437	Decal, Europ, Stand, Ce, Tractors			

## WHEELS & TIRES



KEY NO.	PART NO.	DESCRIPTION
1	532059192	Cap, Valve
2	532065139	Stem, Valve
3	532124957	Fitting, Grease (Front Wheels Only)
4	532137422	Tire, Front
4	532132703	Tire, Rear
5	532059904	Tube, Front (Optional Service Items Only)
5	532008134	Tube, Rear (Optional Service Items Only)
6	532142537	Rim, Front
6	532140453	Rim, Rear
8	532124959	Bearing Flange
9	532121748	Washer 25/32 x 1-5/8 x 16 Ga.
10	532142577	Cover, Wheel 6" White
	532124578	Cover, Wheel 8" White

