

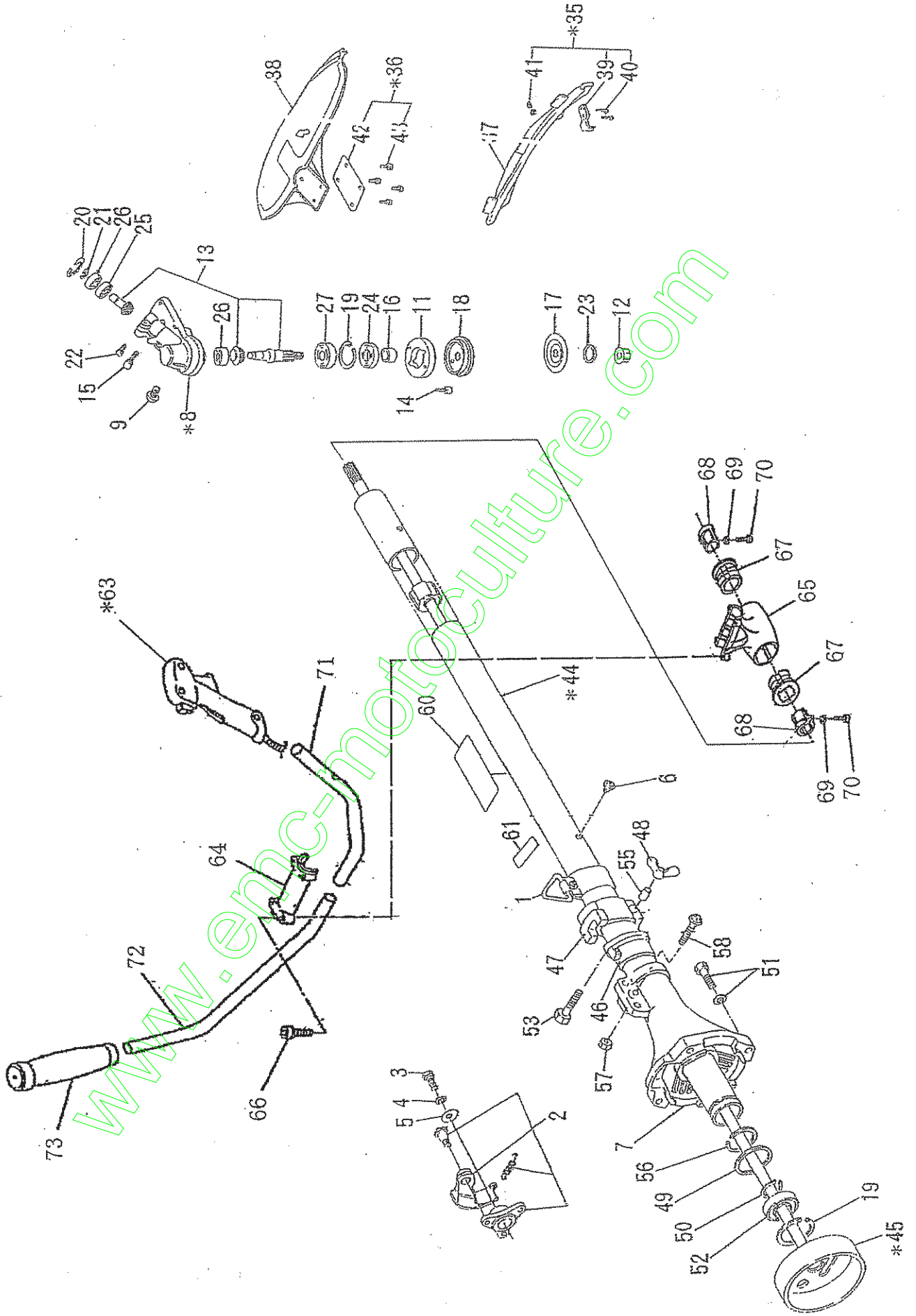


# PARTS CATALOG

**Model NB500E(CE SPEC.)**

**MACHINE BODY**

[www.emc-motoculture.com](http://www.emc-motoculture.com)



## NB500E PARTS LIST

CE SPEC.

KEY NO.	PART NO.	QTY.	DESCRIPTION	REMARKS
1	6407006001	1	BAND ASSY	
2	6452002000	1	CLUTCH	
3	6202500400	1	BOLT	
4	0032006000	1	SPRING WASHER (M6)	
5	6202500600	1	WASHER	
6	6301500700	1	BOLT OIL	
7	6351500000	1	CASE CLUTCH	
*8	6453011000-1	1	CASE GEAR ASSY (INCL.9~27)	
9	6453011110	1	BOLT OIL	
11	6453011050	1	GUARD	
12	6453011060	1	NUT	
13	6453012000	1	SHAFT CUTTER SET	
14	6453011120	2	SOCKET HEAD BOLT (M5×10 SW)	
15	6453011130	1	SOCKET HEAD BOLT (M5×15 SW)	
16	6453011020	1	SPACER	
17	6453011040	1	WASHER CLAMP	
18	6453011030	1	WASHER RECEIVE	
19	0031435000	2	SNAPRING INNER	
20	0031428000	1	SNAPRING INNER	
21	0031512000	1	SNAPRING OUTER	
22	0119069880	1	SOCKET HEAD BOLT (M6×20)	
23	0203109990	1	SPRING WASHER (M10)	
24	0440209910	1	OIL SEAL	
25	0600129920	1	BALL BEARING (#6001C3)	
26	0600129980	2	BALL BEARING (#6001ZZ)	
27	0600159880	1	BALL BEARING (#6202C3)	
28	6454500300	1	HANDLE	
*35	6458007000	1	BLADE SET (INCL.39-41)	
*36	6458006000	1	BOLT AND NUT SET (INCL.42 43)	
37	6458005030	1	COVER	
38	6458005010	1	SAFTY GUARD	
39	6458005040	1	BLADE	
40	0043505140	2	SCREW ASSY	
41	0021705000	2	NUT	
42	6458005020	1	FUXING PLATE	
43	6453011130	4	SOCKET HEAD BOLT (M5×15 SW)	
*44	6401008020	1	PIPE SHAFT COMPL. (INCL.56)	
*45	6401033000	1	SHAFT ASSY (INCL.19 50 52)	
46	6411502101	1	STOPPER	
47	6401503002	1	STOPPER	
48	6411501300	1	WING NUT	
49	6301501600	1	WASHER	

NB500E PARTS LIST

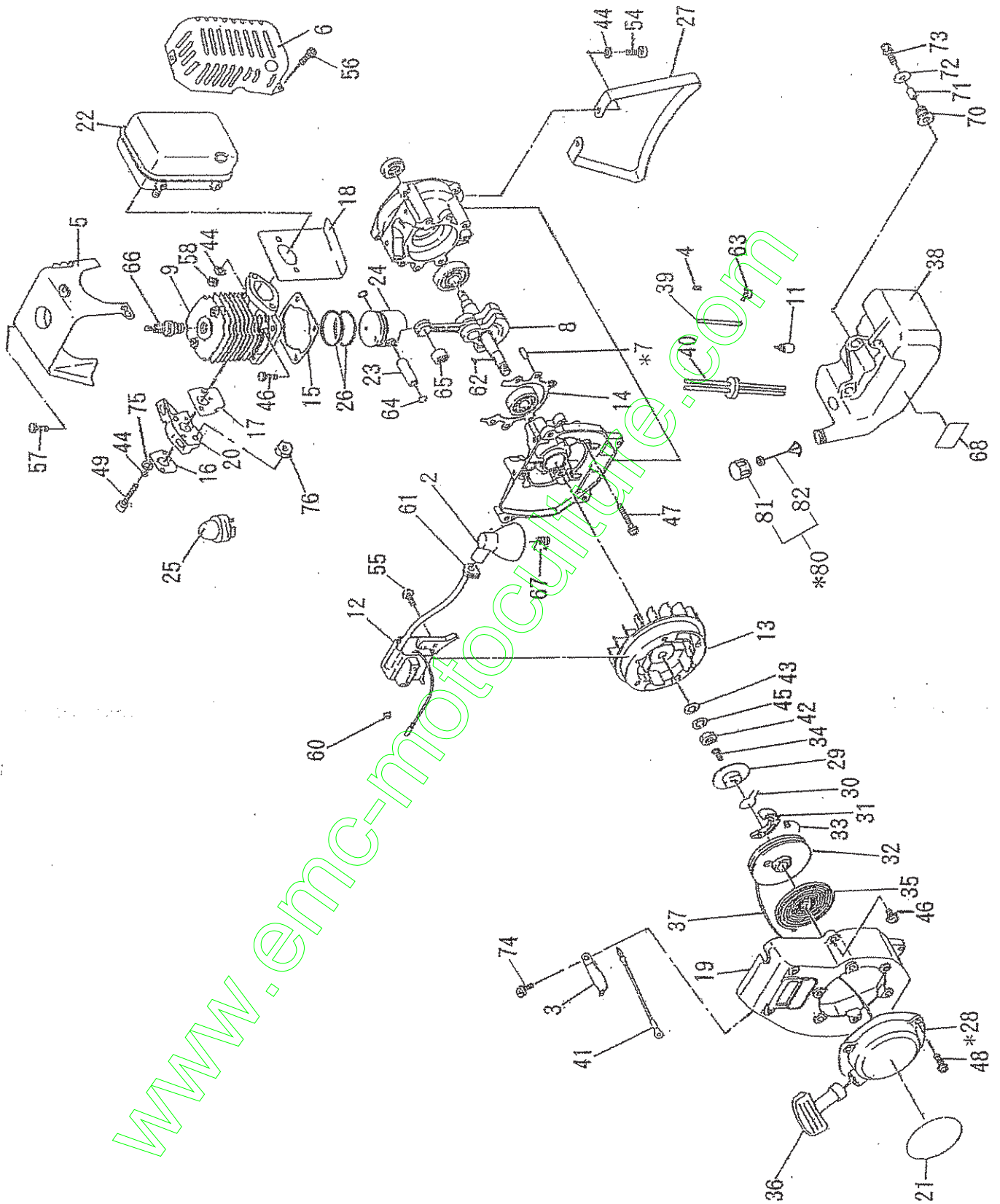
CE SPEC.

MACHINE BODY

KEY NO.	PART NO.	QTY.	DESCRIPTION	REMARKS
51	0119069910	1	SOCKET HEAD BOLT (M6×18 SW)	
52	0600179850	1	BALL BEARING (#6003DD)	
53	0016706500	1	BOLT	
55	6401032010	1	BUSH	
56	6301501500	1	SNAPRING OUTER	
57	0022706000	1	NUT	
58	0043406350	1	SCREW ASSY	
60	6219519501	1	LABEL CAUTION	
61	6259514700	1	LABEL CAUTION	
*63	6455007000	1	CONTROL LEVER	
64	6254503802	1	HANDLE HOLDER	
65	6414507201	1	HANDLE HOLDER	
66	0119059840	4	SOCKET HEAD BOLT	
67	6404506600	2	BUSH	
68	6404506200	2	STOPPER	
69	0032006000	2	SPRING WASHER	
70	0119069930	2	SOCKET HEAD BOLT	
71	6414507300	1	HANDLE	
72	6414507400	1	HANDLE	
73	6274501000	1	GRIP	

NB500E PARTS LIST

CE SPEC.



## NB500E PARTS LIST

CE SPEC.

KEY NO.	PART NO.	Q'TY	DESCRIPTION	REMARKS
2	5237503100	1	CAP PLUG	
3	0566059980	2	CLAMP	
4	5806113050	2	CLIP	
5	5505007000	1	COVER,CYLINDER COMPL.	
6	5503503900	1	COVER,MUFFLER	
*7	5501003001	1	CRANKCASE ASSY (INCL.14)	
8	5502005000	1	CRANKSHAFT COMPL.	
9	5501502500	1	CYLINDER	
11	5236503900	1	FILTER	
12	5507002010	1	COIL	
13	5507001010	1	FLYWHEEL	
14	5501500200	1	GASKET,CRANKCASE	
15	5501500400	1	GASKET,CYLINDER	
16	5503500501	1	GASKET,INSULATOR	
17	5503504000	1	GASKET,INSULATOR	
18	5503504200	1	GASKET,MUFFLER	
19	5505500001	1	HOUSHING,BLOWER	
20	5503504101	1	INSULATOR	
21	6459503200	1	LABEL,MODEL	
22	5503016001	1	MUFFLER EXHAUST	
23	5602501100	1	PIN,PISTON	
24	5502500400	1	PISTON	
25	5236504300	1	PUMP	
26	5602500900	2	RING,PISTON	
27	6455500100	1	STAND	
*28	5505001000	1	STARTER,REWIND(INCL.29~37)	
29	5505001030	1	FRICITION PLATE	
30	5105015050	1	FRICITION SPRING	
31	5105015020	1	RATCHET	
32	5505001010	1	REEL	
33	5105015060	1	RETURN SPRING	
34	5105015110	1	SET SCREW (M5×12)	
35	5505001020	1	SPIRAL SPRING	
36	5305002110	1	STARTER KNOB	
37	5505001050	1	STARTER ROPE	
38	5506501603	1	TANK,FUEL	
39	5506501700	1	TUBE	
40	5506010000	1	TUBE ASSY	
41	6828011000	1	WIRE COMPL.	
42	0022810000	1	NUT	
43	0031010000	1	WASHER (M10)	
44	0032006000	6	SPRING WASHER (M6)	
45	0032010000	1	SPRING WASHER (M10)	

ENGINE BODY

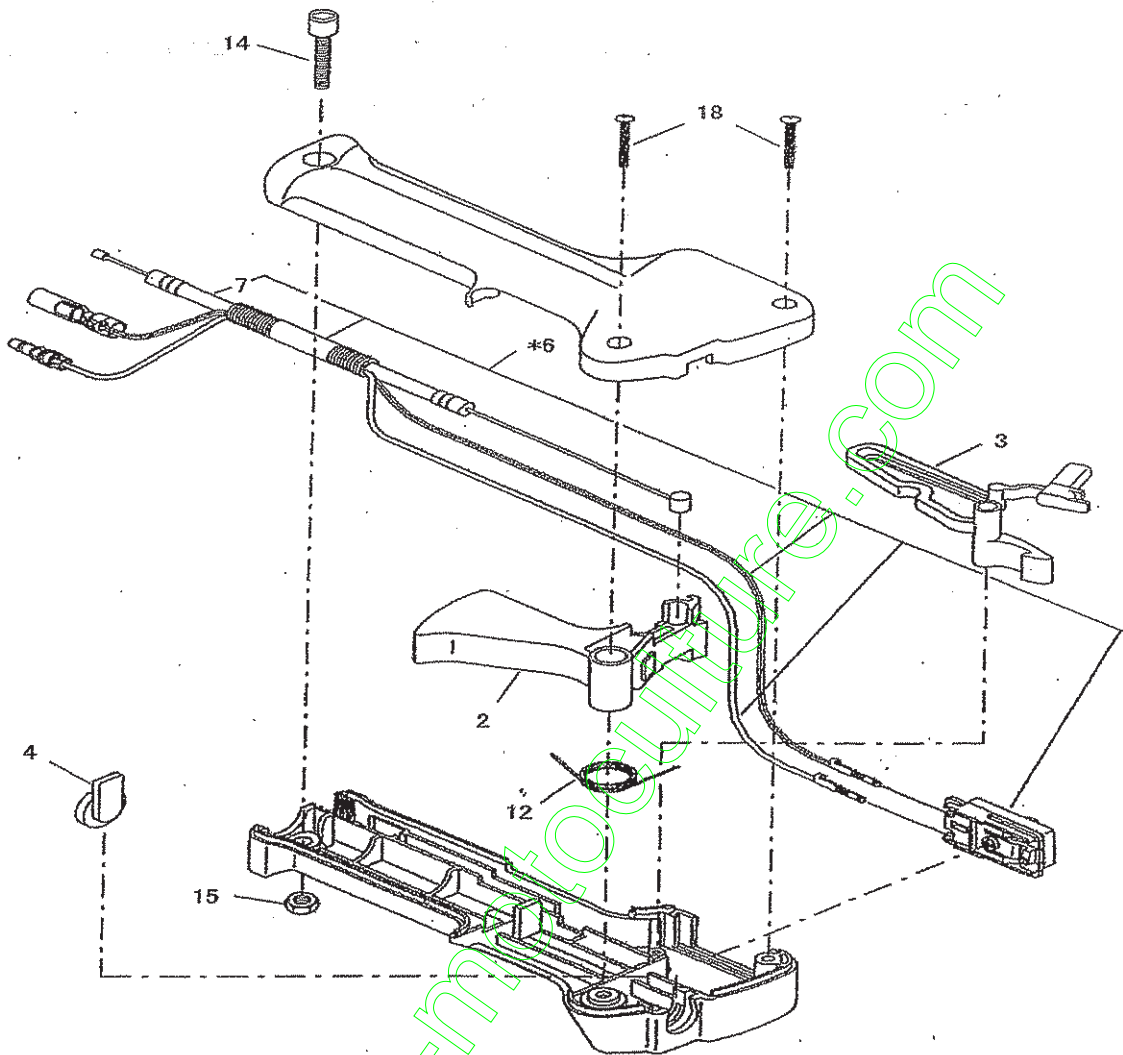
NB500E PARTS LIST

CE SPEC.

KEY NO.	PART NO.	Q'TY	DESCRIPTION	REMARKS
46	0043506200	8	SCREW ASSY	
47	0043506400	4	SCREW ASSY	
48	0043706140	1	SCREW ASSY	
49	0119069850	2	SOCKET HEAD BOLT	
54	0119069970	2	SOCKET HEAD BOLT (M6×12)	
55	0119059870	2	SOCKET HEAD BOLT (M5×18 W SW)	
56	0043705140	5	SCREW ASSY	
57	0043705200	1	SCREW ASSY	
58	0170069960	2	NUT	
60	0241029990	1	GROMMET	
61	0241059970	1	GROMMET	
62	0323049950	1	WOODRUFF KEY	
63	0561059990	1	HOSE CLAMP	
64	0565119990	2	CLIP	
65	0610129961	1	NEEDLE ROLLER BEARING	
66	0650149721	1	PLUG, SPARK (CE SPEC.)	
66	0650149810	1	PLUG, SPARK (U.S SPEC.)	
67	0654009931	1	SPRING, PLUG CAP	
68	0736409600	1	LABEL	
70	5506500200	3	DAMPER	
71	0230069760	3	SPACER	
72	0031206000	3	WASHER	
73	0043506250	3	SCREW ASSY	
74	0043604100	1	SCREW ASSY	
75	0031006000	2	WASHER (M6)	
76	0022705000	2	NUT	
*80	5256059000	1	CAP FUEL TANK ASSY (INCL.81,82)	
81	5256058000	1	CAP FUEL TANK ASSY	
82	5256067000	1	STRAP ASSY	

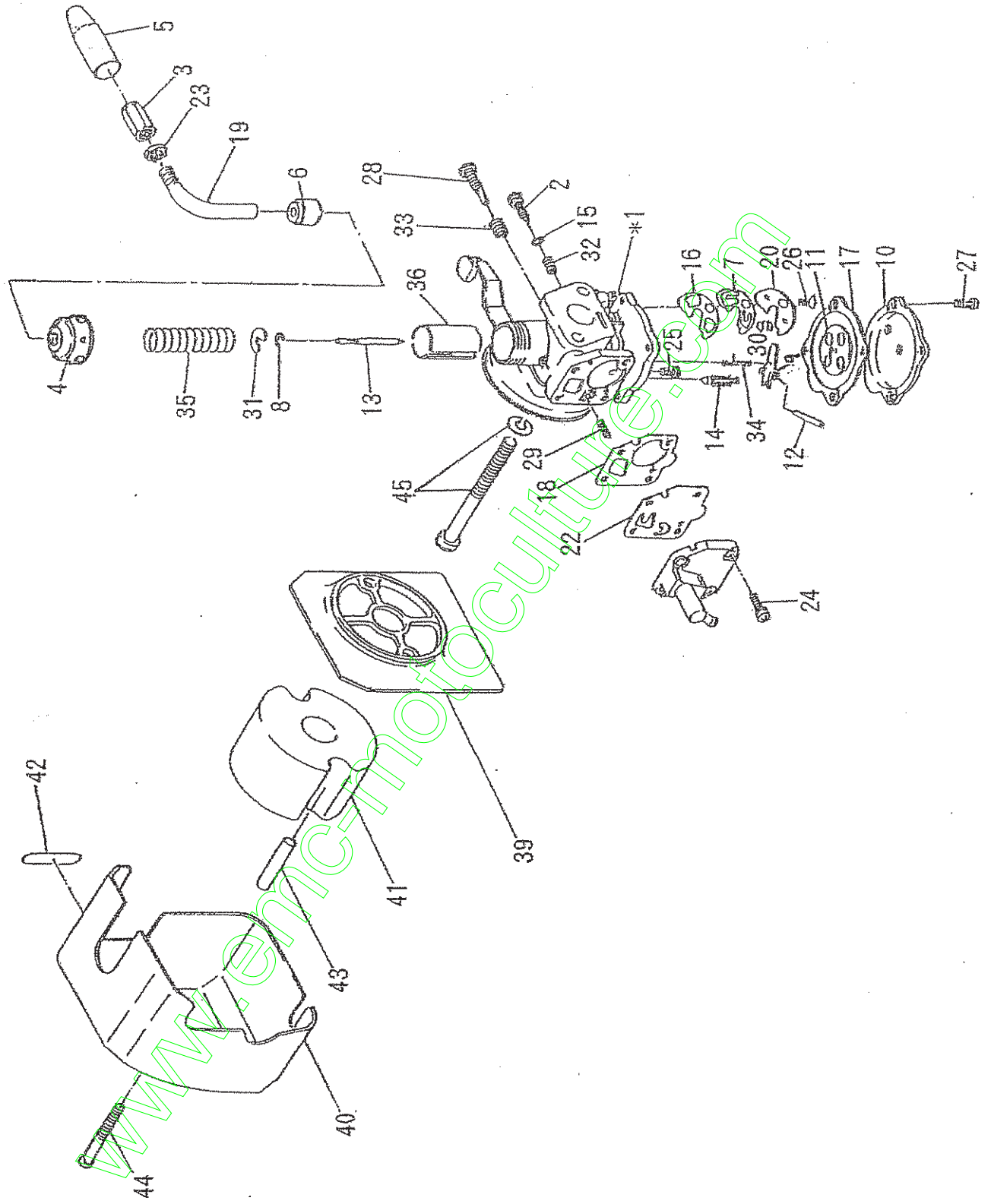
~~CAUTION FOR AIR CLEANER~~

CONTROL LEVER ASSY



KEY NO.	PART NO.	QTY	DESCRIPTION	REMARKS
*63	6455007000	1	Control lever ass'y(incl.2to18)	
2	6215022030	1	Lever	
3	6195013010	1	Lever	
4	6195006150	1	Top	
*6	6455007010	1	Wire set(incl.7)	
7	6455007020	1	Wire compl.	
12	6195006050	1	Spring	
14	0119059980	1	Socket head bolt(M5x30)	
15	6215022040	1	Nut	





## NB500E PARTS LIST

CE SPEC.

KEY NO.	PART NO.	QTY.	DESCRIPTION	REMARKS
1	5506009000	1	CARBURETOR (INCL.2~36)	
2	5506009040	1	MAIN ADJUST SCREW	
3	5426003030	1	ADJUSTER	
4	5426003010	1	BODY CAP	
5	5246004150	1	CAP	
6	5246004010	1	CAP,RUBBER	
7	5426003130	1	CHECK VALVE	
8	5106048050	1	E-RING	
9	5106043150	1	CONTROL LEVER	
10	5506001120	1	DIAPHRAGM COVER	
11	5426003050	1	DIAPHRAGM ASSY	
12	5106043130	1	HINGE PIN	
13	5506009010	1	JET NEEDLE	
14	5426003220	1	NEEDLE VALVE	
15	5106042060	1	O-RING	
16	5246005222	1	PACKING	
17	5506001040	1	DIAPHRAGM PACKING	
18	5106042310	1	PACKING PUMP	
19	5246004320	1	ADJUSTER PIPE	
20	5426003140	1	PLATE	
22	5426003060	1	PUMP DIAPHRAGM	
23	5426003020	1	ROCK NUT	
24	5106041220	4	SCREW (M3×10)	
25	5106043360	1	SCREW (M3×6)	
26	5426003150	1	SCREW	
27	5426003160	1	SCREW	
28	5106048230	1	SLOW STOP SCREW	
29	5106042150	1	NEEDLE VALVE SPRING	
30	5426003210	1	SPRING	
31	5506001060	1	SPRING RECEIVE	
32	5106042120	1	ADJUST SPRING	
33	5106048240	1	ADJUST SCREW SPRING	
34	5426003230	1	SPRING NEEDLE VALVE	
35	5506009020	1	SPRING THROTTLE	
36	5506001050	1	THROTTLE VALVE	
39	5503500400	1	HOLDER LEAD	
40	5503500300	1	COVER AIR CLEANER	
41	5103502700	1	ELEMENT AIR CLEANER	
42	6419504300	1	LABEL CHOKE	
43	0230049980	2	SPACER	
44	0043104300	2	SCREW PAN HEAD	
45	0043505450	2	SCREW ASSY	