

GENUINE SPARE PARTS

P 442 S
Model Year 2010

- Use GLOBAL GARDEN PRODUCT Genuine Spare Parts specified in the parts list for repair and/or replacement.
- The contents described in the parts list may change due to improvement.
- The drawings of the spare parts are only indicative and might not represent the part in question exactly.
- The indications "right" - "left" - "front" - "rear" refer to the position of the operator when using the machine.
- When placing orders of parts for repair and/or replacement, make sure that the illustrated parts list is the one applying to the machine's year of manufacture, as shown on the identification plate attached to the machine.

COPYRIGHT by GLOBAL GARDEN PRODUCTS

All rights reserved. No part of this material may be reproduced or transmitted, in any form or by any means, electronic or mechanical, including photocopying, recording or by any information storage and retrieval system, without permission in writing from GLOBAL GARDEN PRODUCTS.

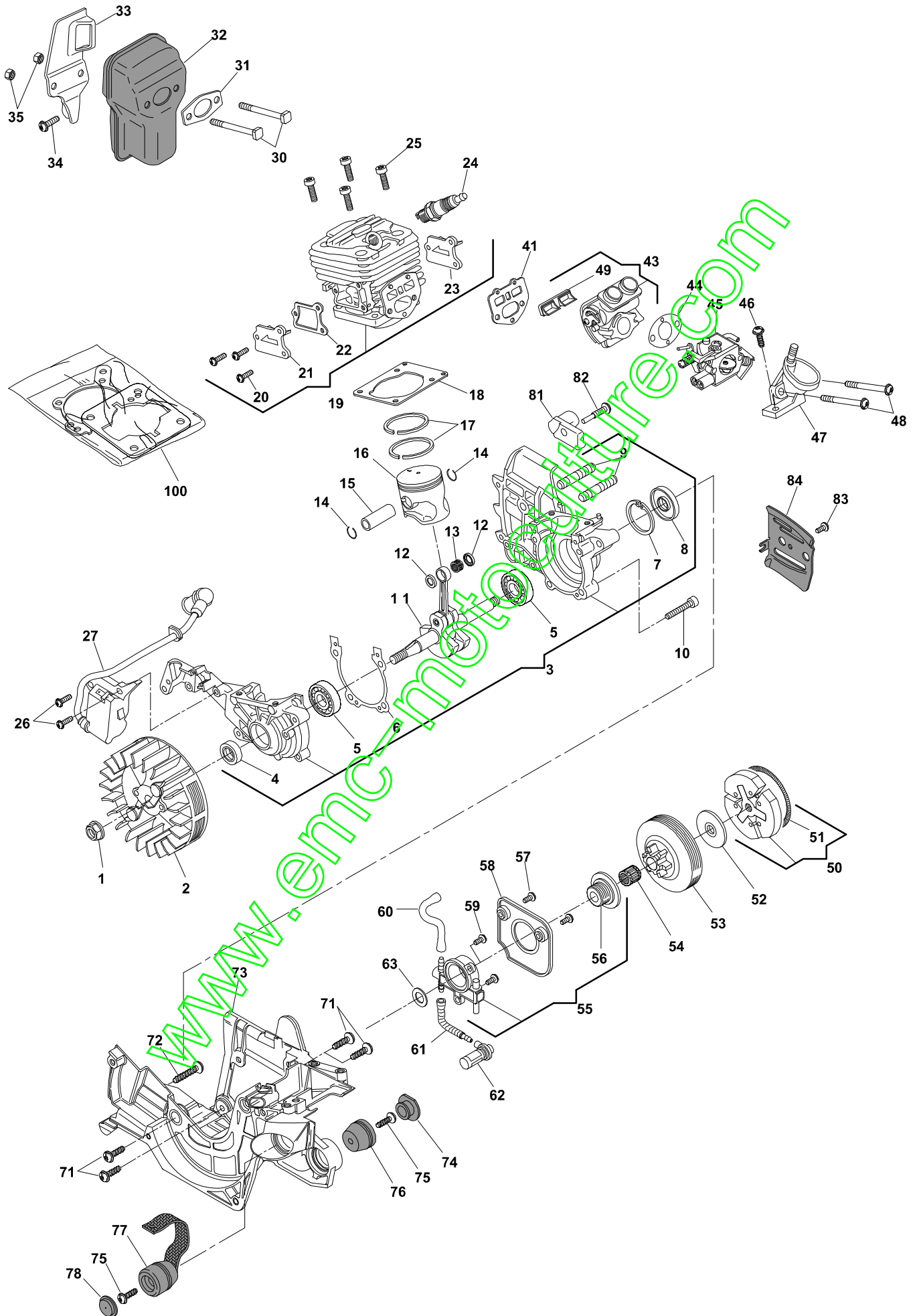
...THINKING GREEN





P 442 S - Model Year 2010

Engine





P 442 S - Model Year 2010

Engine

Pos.	Part no.	Q.ty	Description	Remarks
1	123120004/0	1	Nut	
2	383880002/0	1	Flywheel Assy	
3	6995281	1	Crankase Ass.Y	
4	6995278	1	Seal Ring	
5	6995277	2	Bearing	
6	6995283	1	Gasket Set	
7	6995255	1	Elastic Ring	
8	6995257	1	Seal Ring	
9	6995028	2	Pin	
10	6995276	4	Screw	
11	6995314	1	Crankshaft	
12	6995265	2	Washer	
13	6995304	1	Bearing	
14	6995256	2	Washer, Piston Pin	
15	6995313	1	Piston Pin	
16	6995287	1	Piston	
17	6995258	2	Piston Ring	
18	6995283	1	Gasket Set	
19	6995284	1	Cylinder Assy	
20	123878020/0	6	Screw	
21	6995320	1	Cover	
22	6995322	2	Gasket	
23	6995321	1	Cover	
24	23051000/0	1	Spark Plug	
25	6995319	4	Screw	
26	123878021/0	2	Screw	
27	383044000/0	1	Electronic Coil	
30	123878028/0	2	Screw	
31	123280012/0	1	Gasket	
32	183740000/0	1	Muffler Assy	
33	323140055/0	1	Deflector	
34	123878022/0	1	Screw	
35	2432040	2	Nut	
41	123280015/0	1	Gasket	
43	383073500/0	1	Intake Manifold	
44	123280011/0	1	Gasket	
45	123054015/0	1	Carburettor	
45	123054016/0	1	Carburettor	
46	123878024/0	1	Screw	
47	323073503/0	1	Air Manifold	
48	123878019/0	2	Screw	
49	323275015/0	1	Gasket	
50	383215001/0	1	Clutch Ass.Y	
51	123430566/0	1	Spring	
52	323657006/0	1	Sprocket Washer	
53	323050003/0	1	Drum Ass'Y, Clutch	
54	123235000/0	1	Needle Bearing	
55	383594502/0	1	Oil Pump Assy	
55	383594503/0	1	Oil Pump Assy	
56	323878026/0	1	Female Screw	
57	123878021/0	4	Screw	
58	323109524/0	1	Cover Pump	
60	323867005/0	1	Tube	
61	323867004/0	1	Pickup Oil	
62	323220002/0	1	Oil Filter Ass.Y	
63	323652503/0	1	Washer	
71	123878022/0	4	Screw	
72	123878024/0	1	Screw	
73	323057003/0	1	Crankase Ass.Y	
74	323790010/0	1	Cap	
75	123878024/0	2	Screw	
76	323275008/0	1	Shock Absorber	



P 442 S - Model Year 2010

Engine

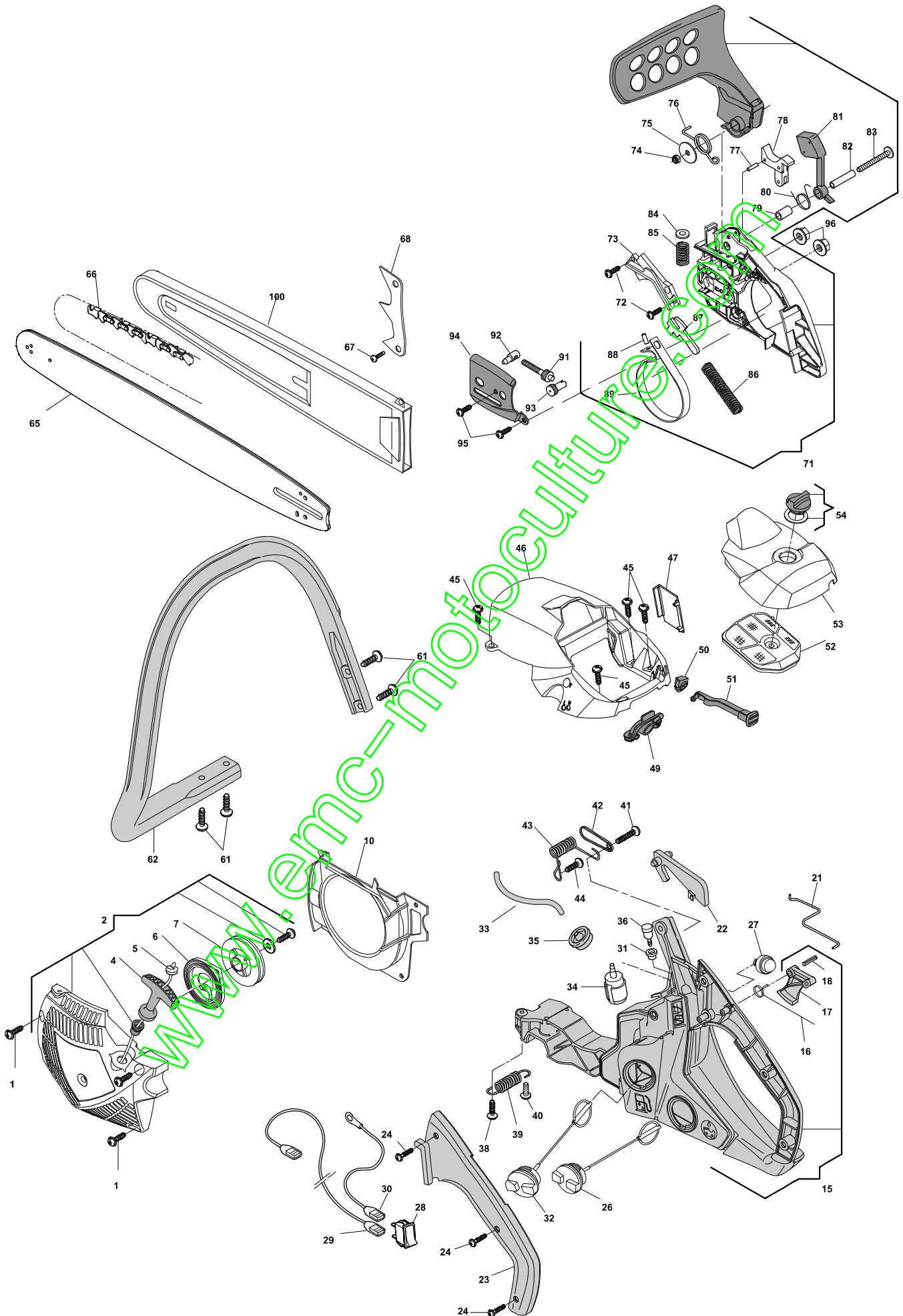
Pos.	Part no.	Q.ty	Description	Remarks
77	323275009/0	1	Shock Absorber	
78	323790011/0	1	Cap	
81	323202000/0	1	Chain Guard	
82	123878018/0	1	Screw	
83	123878020/0	1	Screw	
84	323311005/0	1	Plate	
100	6995283	1	Gasket Set	.

www.emc-motoculture.com



P 442 S - Model Year 2010

Housing





P 442 S - Model Year 2010

Housing

Pos.	Part no.	Q.ty	Description	Remarks
1	123878024/0	3	Screw	
2	383058018/0	1	Starter Assy Yellow	
3	323044211/0	1	Grommet	
4	323300004/0	1	Starter Handle	
5	123234002/0	1	Starter Cord	
6	123430577/0	1	Starter Spring	
7	323604003/0	1	Starter Pulley	
8	3613420	1	Washer	
9	123878024/0	1	Screw	
10	323107503/0	1	Air Conveyor	
15	383300015/0	1	Handle Assy	
16	123430567/0	1	Spring	
17	323315063/0	1	Throttle Lever	
21	123835001/0	1	Throttle Rod	
22	323315064/0	1	Safety Lever	
23	323109520/0	1	Handle, Upper Part	
24	123878025/0	1	Screw	
26	383790003/0	1	Cap Oil Tank	
27	23018000/0	1	Air Purge	
28	3210970	1	Stop Switch	
29	123065018/0	1	Stop Wire	
30	123065017/0	1	Earth Cable	
31	323275013/0	1	Grommet	
32	383790002/0	1	Fuel Tank-Cap Ass.Y	
33	323867003/0	1	Fuel Line	
34	183520000/0	1	Intake Filter Assy	
35	323275012/0	1	Grommet	
36	183875001/0	1	Breather Valve Ass.Y	
38	123878024/0	1	Screw	
39	123430568/0	1	Spring	
40	123878022/0	1	Screw	
41	123878024/0	1	Screw	
42	323208402/0	1	Plate	
43	123430569/0	1	Spring	
45	123878024/0	4	Screw	
46	323087005/1	1	Cylinder Cover Yellow	
47	323653500/0	1	Cap	
49	323796006/0	1	Grommet	
50	323796007/0	1	Grommet	
51	323315065/0	1	Choke Lever	
52	383220000/0	1	Air Filter	
53	323090019/0	1	Filter Cover Yellow	
54	383593501/0	1	Knob Ass'Y	
61	123878025/0	4	Screw	
62	323105001/0	1	Handle	
65	4113713	1	Chain 18"	18" 325" .050" (1.3 mm) - 72E
66	23900101/0	1	"Guide Bar 18""	18" 325" .050" (1.3 mm)
67	123878022/0	1	Screw	
68	323026001/0	1	Spike	
71	383059013/0	1	Clutch Ho. W/Br. Assy Yellow	
72	123878023/0	2	Screw	
73	323109525/0	1	Brake Cover	
74	112154320/0	1	Nut	
75	123657007/0	1	Washer	
76	123430573/0	1	Spring	
77	123753001/0	1	Roller	
78	383315051/0	1	Chain Brake Lever	
79	123044213/0	1	Bushing	
80	123430572/0	1	Spring	
81	323080001/0	1	Balance Weigth	
82	123044213/0	1	Bushing	
83	123878017/0	1	Screw	



P 442 S - Model Year 2010

Housing

Pos.	Part no.	Q.ty	Description	Remarks
84	323670001/0	1	Plate	
85	123430573/0	1	Spring	
86	123430565/0	1	Spring	
87	323315067/0	1	Lever	
88	123753000/0	1	Needle	
89	323448003/0	1	Brake Band	
91	123878027/0	1	Screw	
92	123510096/0	1	Bar Adjusting Block	
93	123796005/0	1	Pin	
94	323311006/0	1	Plate	
95	123878023/0	2	Screw	
96	2670270	2	Nut	
100	4181307	1	Chain Cover	

www.emc-motoculture.com