



**PARTS LIST**

**ROBIN POWER ROTER**

MODELS PR07B · 10 · 13



**FUJI ROBIN INDUSTRIES LTD.**

[www.emc-motorsculture.com](http://www.emc-motorsculture.com)

**MOTOCULTEUR ROBIN**

**MOTOCULTEURS FUJI-ROBIN  
DISTRIBUES EN FRANCE PAR**

**MATELST**

ROUTE DE MULHOUSE

B.P. 5-68170 RIXHEIM

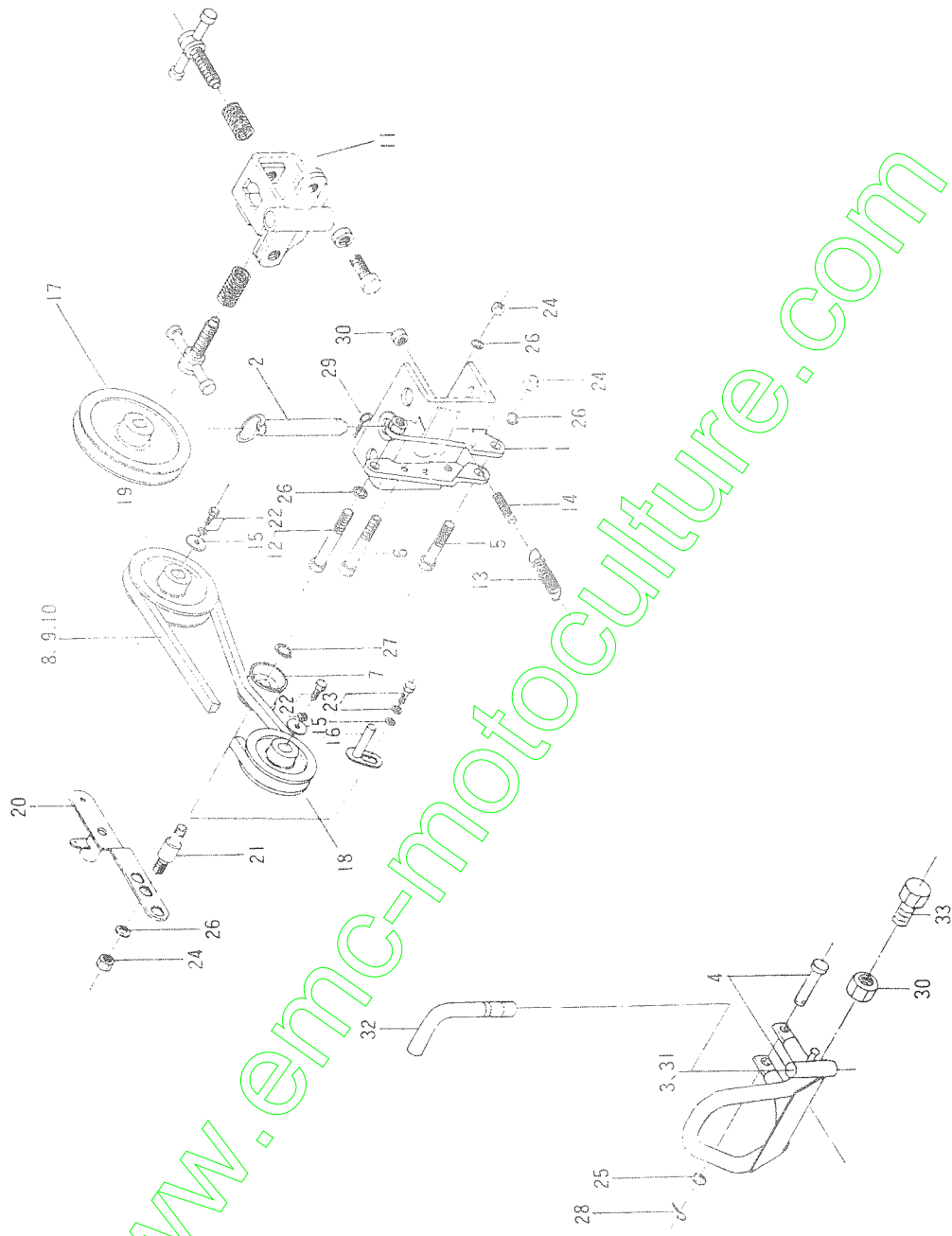
TÉL. (89). 44.21.60

TÉLEX 88.618F

[www.motoculture.com](http://www.motoculture.com)

## CONTENTS

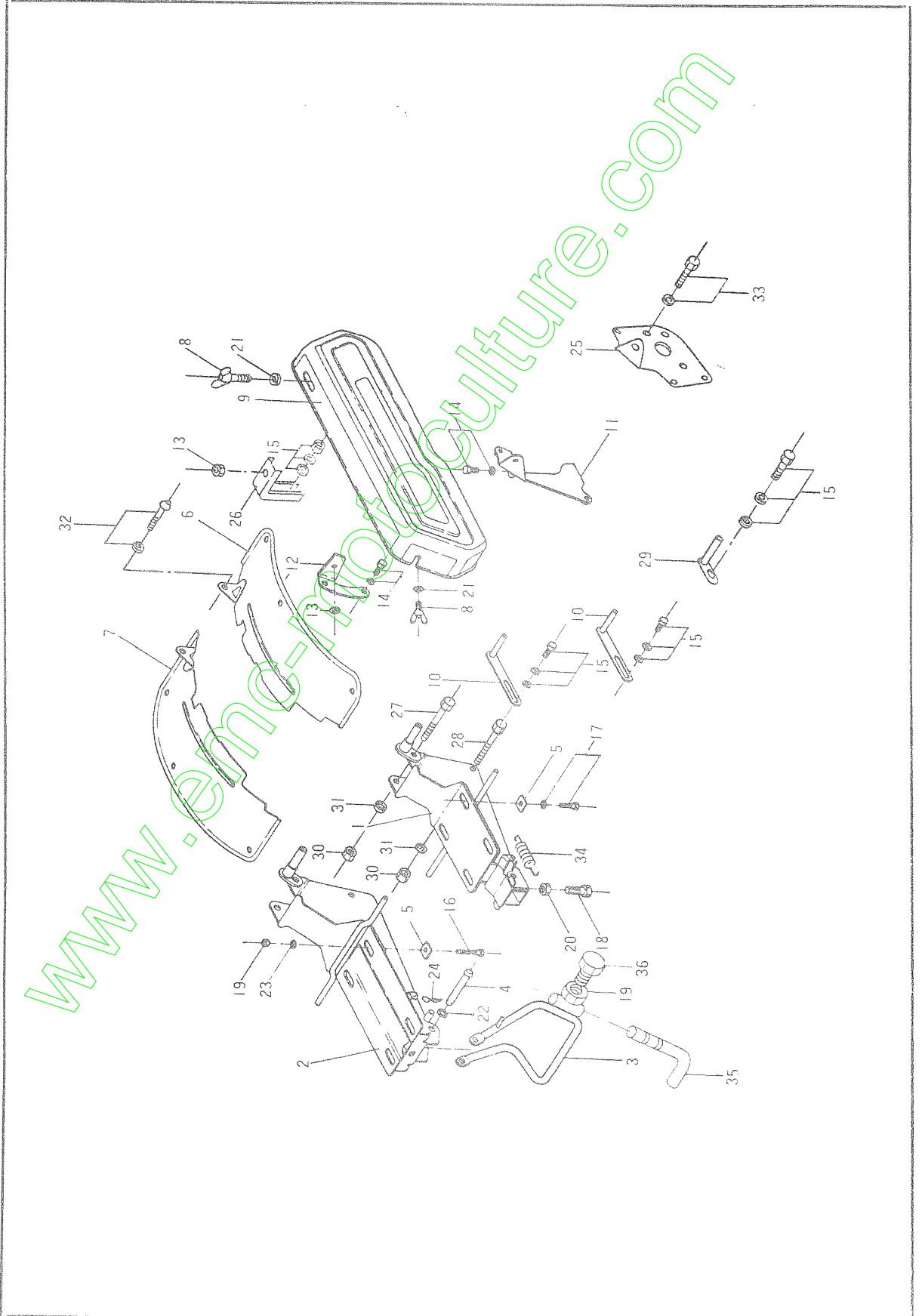
Body equipment (A) 201 - 01 .....	1
(B) 201 - 02 .....	3
(C) 201 - 03 .....	5
Fuel tank 201 - 04 .....	7
Disassembly tools and accessories 201 - 05 .....	9
Transmission 201 - 06 .....	11
Crankcase & Cylinder (E C 07 - 2 B T) 201 - 07 .....	15
Crankshaft, Piston (E C 07 - 2 B T) 201 - 08 .....	17
Governor (E C 07 - 2 B T) 201 - 09 .....	19
Blower housing, Muffler & Starting pulley (E C 07 - 2 B T) 201 - 10 .....	21
Carburetor & Air cleaner (E C 07 - 2 B T) 201 - 11 .....	23
Magneto (E C 07 - 2 B T) 201 - 12 .....	25
Recoil starter (E C 07 - 2 B T) 201 - 13 .....	27
Crank case, Cylinder (E C 10 - B T) 201 - 14 .....	29
Crank shaft, Piston (E C 10 - B T) 201 - 15 .....	33
Governor (E C 10 - B T) 201 - 16 .....	33
Fan cover, Muffler (E C 10 - B T) 201 - 17 .....	35
Carburetor (E C 10 - B T) 201 - 18 .....	35
Magneto (E C 10 - B T) 201 - 19 .....	37
Recoil starter (E C 10 - B T) 201 - 20 .....	37
Crankcase and Cylinder head (E Y 13 - 2 B T) 201 - 21 .....	39
Crankshaft Camshaft and Piston (E Y 13 - 2 B T) 201 - 22 .....	41
Governor (E Y 13 - 2 B T) 201 - 23 .....	43
Blower housing Starting pully and Muffler (E Y 13 - 2 B T) 201 - 24 .....	45
Carburetor (E Y 13 - 2 B T) 201 - 25 .....	47
Magnet (E Y 13 - 2 B T) 201 - 26 .....	49
Recoil starter (E Y 13 - 2 B T) 201 - 27 .....	51



Body equipment (A) 201 - 01

No.	Part No.	Name of part	Q'ty			Remarks
			P R 07 B-1	P R 10 -1-2	P R 13 -1-2	
1	P R 10-1011cU	Rear hitch assembly	1	1	1	
2	P R 7-1012a	Connecting pin assembly	1	1	1	
3	1082aWA	Stand assembly	1	1	1	
4	1102a	Pin (stand)	1	1	1	
5	1103a	Bolt (under hitch, under frame)	1/2	1/2	1/2	
6	1106	Bolt (under hitch, upper frame)	1/2	1/2	1/2	
7	1091a	Tension pulley assembly	1	1	1	
8	P R 10-1120	V belt (B)	1	1	1	LB 36 inch or SB 36 inch
9	P R 13-4113	V belt (A)	1	1	1	LB 35 inch or SB 35 inch
10	4112	∅	1	1	1	LB 34 inch or SB 34 inch
11	P R 7-8011	Universal hitch H type	1	1	1	
12	2119a	Bolt (handle)	1/3	1/3	1/3	
13	P R 10-4113	Spring (tension)	1	1	1	
14	4115b	Adjusting screw	1	1	1	
15	4159	Wather (for pulley)	2	2	2	
16	4092a	Belt retainer unit (rear)	1	1	1	
17	4803	V pulley (120)	1	1	1	
18	4801	∅ (90)	1	1	1	
19	4802	∅ (108)	1	1	1	
20	4011bU	Tension arm	1	1	1	
21	4103b	Shaft (tension pulley)	1	1	1	
22	00165061402	Bolt (sems) M 6 × 14	2	2	2	
23	00165061403	∅ M 6 × 14	1	1	1	
24	0021710000	Nut M10	3	3	3	
25	0031010000	Washer M10	1	1	1	

No.	Part No.	Name of part	Q'ty			Remarks
			P R 07 B-1	P R 10 -1-2	P R 13 -1-2	
26	0032010000	Spring washer M10	4	4	4	
27	0031512000	Snap ring (outer)	1	1	1	
28	00511110011	Snap pin	1	1	1	RT40-310 snap pin may be substitute
29	P R 10-4127	Snap pin	1	1	1	
30	0021708000	Nut M 8	1	2	1	
31	P R 10-9017WA	Stand assembly (For France)	1	1	1	
32	P R 10-9125WA	Auxiliary Stand	1	1	1	
33	0016508200	Bolt M 8 × 20	1	1	1	

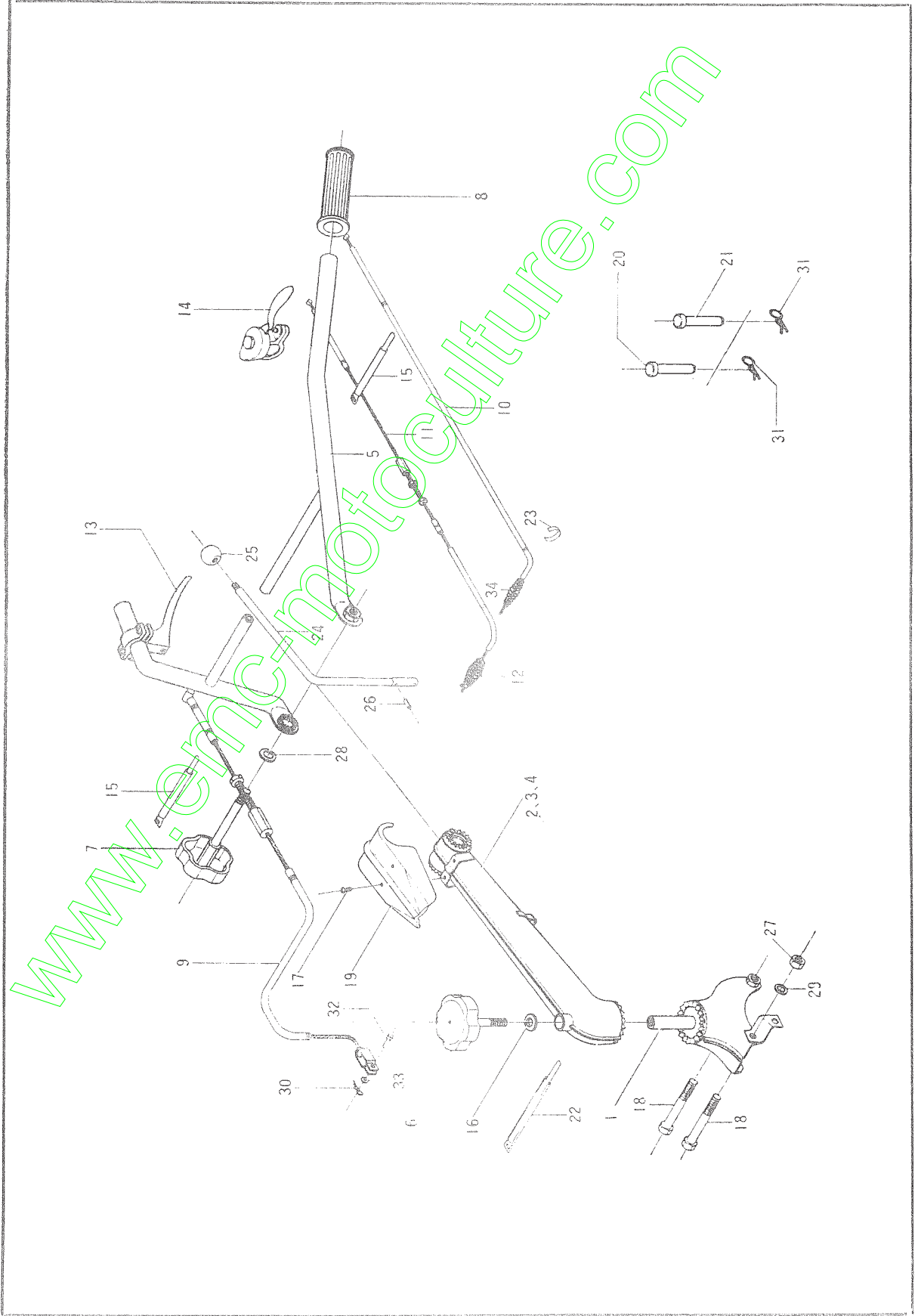


Body equipment (B) 201 - 02

No.	Part No.	Name of part	Q'ty	Remarks
			PR07 PR10 PR13 B-1 -1-2 -1-2	
1	PR10-1080bU	Frame assembly	1	
2	PR13-1080aU	Frame assembly	1	
3	9017WA	Stand assembly (For France)	1	
4	PR7-44024	Pin (stand)	1	
5	PR10-1102	Washer	4	
6	3096U	Fender unit (left)	1	
7	3098U	Fender assembly (right)	1	
8	401F	Wing bolt assembly	2	
9	4085aU	Pulley cover assembly	1	
10	4018	Belt retainer unit	2	
11	4014aU	Fitting plate assembly	1	
12	PR13-4014a	Pulley cover fitting plate assembly (front)	2	
13	R35-5102	Rubber washer	2	
14	00165081602	Bolt (sems) M 8 x 16	2	
15	00165081603	Bolt (sems) M 8 x 16	4	
16	0016508400	Bolt M 8 x 40	4	
17	00165082502	Bolt (sems) M 8 x 25	4	
18	0016512300	Bolt M12 x 30	1	
19	0021708000	Nut M 8	1	
20	0022712000	Nut M12	1	
21	0031108000	Washer M 8	2	
22	0031010000	Washer M10	2	
23	0032008000	Spring washer M 8	1	
24	0051110011	Snap pin	4	
25	PR71B-4014	Pully cover fitting plate assembly	1	

No.	Part No.	Name of part	Q'ty	Remarks
			PR07 PR10 PR13 B-1 -1-2 -1-2	
26	PR7-4013a	Pulley cover supporter assembly	1	
27	1106	Bolt (upper hitch upper frame)	1/2	
28	1105a	Bolt (under hitch under frame)	1/2	
29	PR71B-4018	Belt retainer	1	
30	0021710000	Nut M10	2	
31	0032010000	Spring washer M10	2	
32	00165081402	Bolt (sems) M 8 x 14	2	
33	00165061402	Bolt (sems) M 6 x 14	3	
34	R31-4109	Spring (main clutch)	1	
35	PR10-9125WA	Auxiliary Stand	1	
36	0016508200	Bolt M 8 x 20	1	

Body equipment (C) 201 - 03



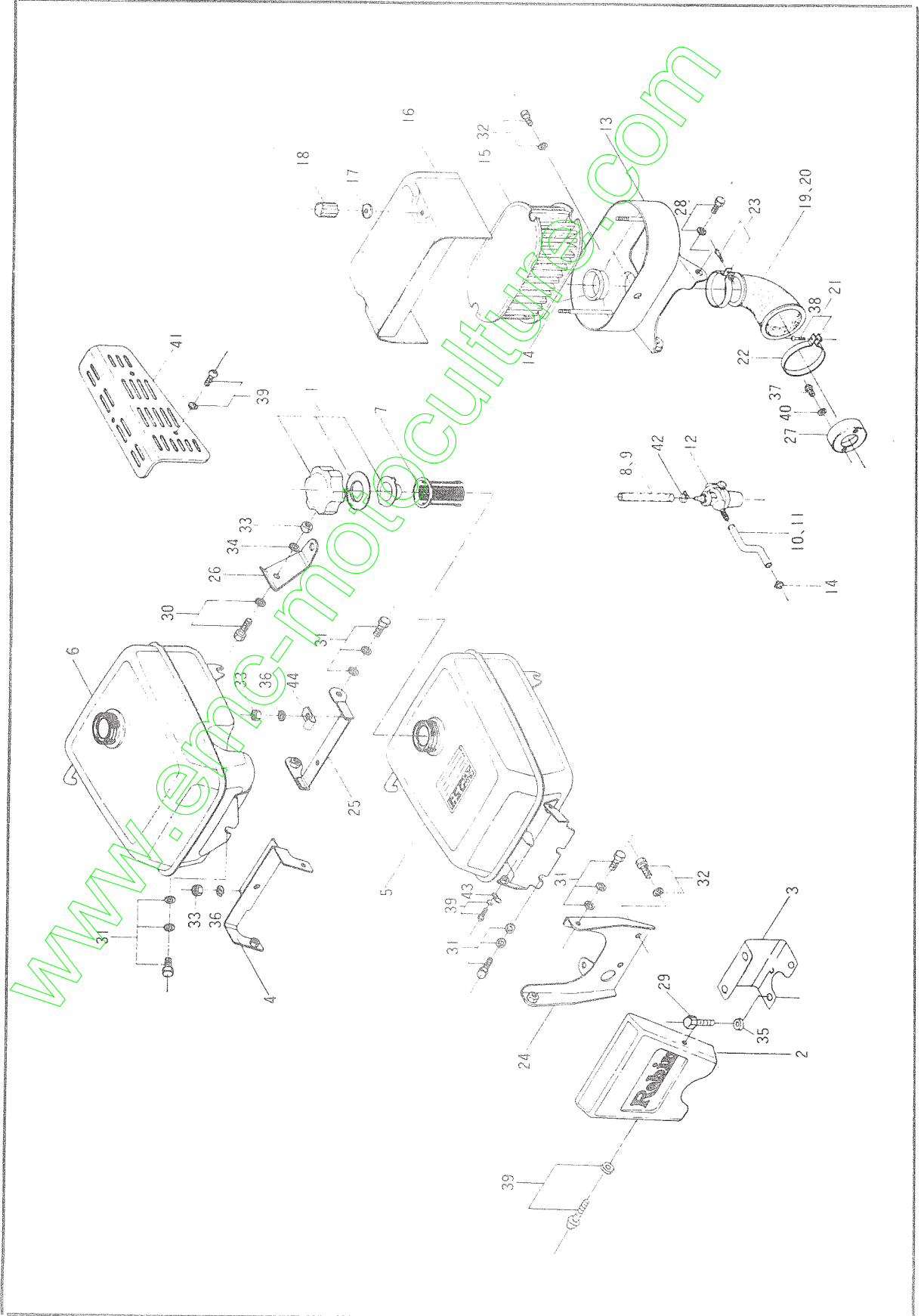


Body equipment (C) 201 - 03

No.	Part No.	Name of part	Qty		Remarks
			P R 07 B-1	P R 10 -1-2	
1	P R 10-2011aG	Handle fitting base unit	1	1	
2	P R 71B-2082	Handle frame assembly	1		
3	P R 10-2082a	∅		1	
4	P R 13-2082a	∅		1	
5	P R 7-2088/2G	Handle assembly	1	1	
6	0637109960	Knob	1	1	
7	0637129960	Knob	1	1	
8	C 522-3014	Grip assembly	2	2	
9	P R 10-2091	Main clutch wire assembly	1	1	
10	∅ 2096b	Throttle wire assembly	1	1	
11	P R 13-2096/1	Throttle wire assembly		1	
12	∅ 4116	Return spring		1	
13	P R 7-2018a	Clutch lever assembly	1	1	
14	R 21-2016a	Throttle lever assembly	1	1	
15	C 551-2039	Clip unit	2	2	
16	P R 7-2110	Washer (for clamping screw)	1	1	
17	∅ 2116	Handle cover	1	1	
18	∅ 2119a	Bolt (handle)	∅	∅	
19	0150039990	Tapping screw	2	2	
20	P R 7-3101/1a	Axle pine	2	2	
21	0307109970	Pin	2	2	
22	P R 10-2022	Clip assembly	1	1	
23	0566109980	Clamp	1	1	
24	P R 10-1025d	Change lever unit (main)	1	1	
25	0637109970	Knob	1	1	

No.	Part No.	Name of part	Qty		Remarks
			P R 07 B-1	P R 10 -1-2	
26	0051904200	Spring pin	1	1	
27	0021710000	Nut M10	1	1	
28	0031112000	Washer M12	1	1	
29	0032010000	Spring washer M10	2	2	
30	0051020150	Cotter pin	1	1	
31	0051110011	Snap pin	4	4	
32	0052106160	Pin	1	1	
33	0031106000	Washer M 6	1	1	
34	P R 10-4114	Return spring	1	1	

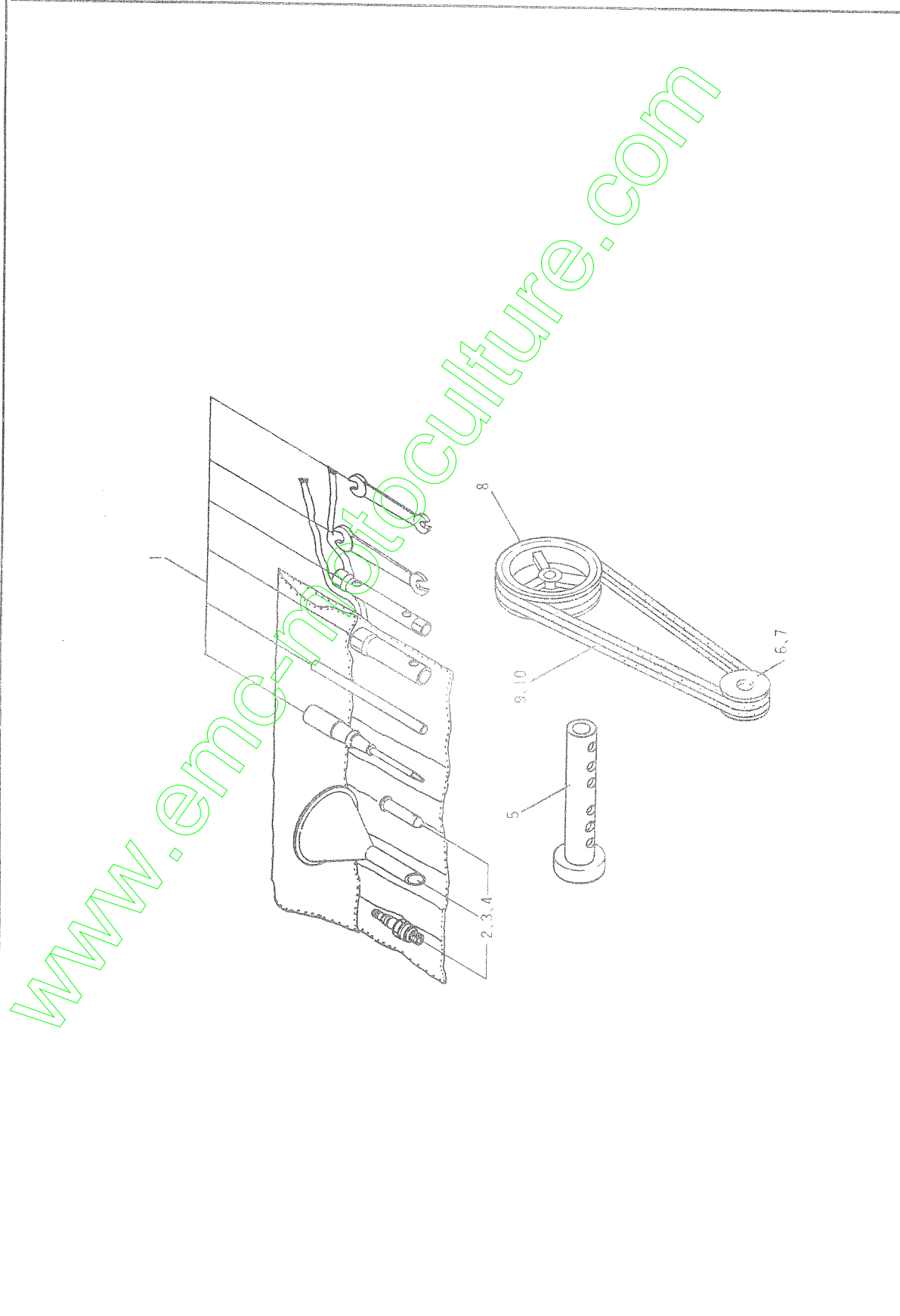
Fuel tank 201 - 04



Fuel tank 201 - 04

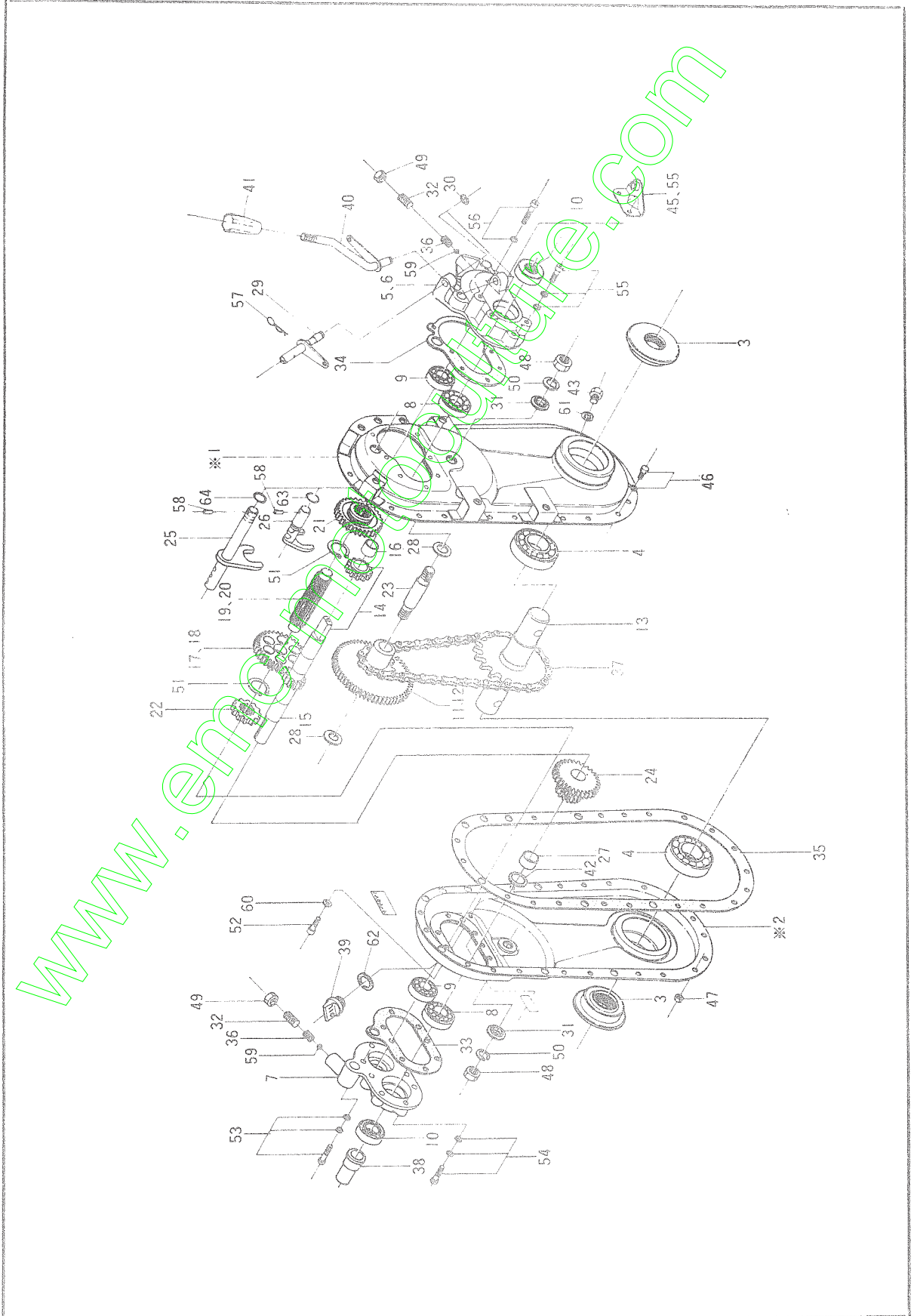
No.	Part No.	Name of part	Q'ty		Remarks
			P R 07 B-1	P R 10 -1-2	
1	T G 07-409	Packing (tank cap)	1	1	Complete
	N F 11-129a	Fuel separator	1	1	
	043045990	Fuel tank cap	1	1	
2	P R 10-5014a	Front cover assembly	1	1	
3	P R 71 B-5020	Fuel tank fitting plate assembly (front)	1	1	
4	P R 13-5017	Tank fitting plate assembly (front)	1	1	
5	P R 10-9014	Fuel tank assembly	1	1	
6	P R 13-5011/1	Fuel tank assembly	1	1	
7	0641310010	Fuel filler	1	1	
8	P R 10-5101	Fuel pipe (A)	1	1	
9	R T 50-5025a	Fuel pipe	1	1	
10	P R 10-5102a	Fuel pipe (B)	1	1	
11	P R 13-5102a	Fuel pipe	1	1	
12	0642009960	Fuel strainer	1	1	
13	T G 07-030/2a	Cleaner fitting plate unit	1	1	
14	R T 35-5117	Wire clamp (B)	2	2	
15	0841889982	Element	1	1	
16	T G 07-027/1	Cleaner cover unit	1	1	
17	∅ 412	Rubber washer	2	2	
18	∅ 413b	Thumb screw	2	2	
19	∅ 414	Rubber duct	1	1	
20	P R 13-4110	Rubber duct	1	1	
21	0561559990	Hose cramp (big)	1	1	
22	P R 13-4016	Fitting band (big) assembly	1	1	
23	0561389990	Hose cramp (small)	1	1	

No.	Part No.	Name of part	Q'ty		Remarks
			P R 07 B-1	P R 10 -1-2	
24	P R 10-5019U	Fitting plate assembly (fuel tank)	1	1	Complete
25	P R 13-5020/1G	Tank fitting plate assembly (rear)	1	1	
26	∅ 5107G	Fitting plate (strainer)	1	1	
27	T G 07-129	Air cleaner connecting pipe	1	1	
28	00165061202	Bolt (sems) M 6 × 12	3	3	
29	001660160	Bolt M 6 × 16	3	3	
30	00165081402	Bolt (sems) M 8 × 14	1	1	
31	00165081603	Bolt (sems) M 8 × 16	4	4	
32	00165081802	Bolt (sems) M 8 × 18	2	2	
33	0021708000	Nut M 8	5	5	
34	0031008000	Washer M 8	1	1	
35	0032006000	Spring washer M 6	3	4	
36	0032008000	Spring washer M 8	2	2	
37	0043105100	Screw (pan head) M 5 × 10	2	2	
38	043104200	Screw (pan head) M 4 × 20	1	1	
39	0421061002	Screw (pan head) M 6 × 10	2	2	
40	0328008000	Spring washer M 5	2	2	
41	P R 13-4012	Muffler cover assembly	1	1	
42	R T 35-5116	Wire clamp (A)	1	1	
43	N F 11-311	Drain pipe clamp	1	1	
44	P R 13-4117	Clamp	1	2	



Disassembly tools and accessories 201 - 05

No.	Part No.	Name of part	Q'ty			Remarks
			P R 07 B-1	P R 10 -1-2	P R 13 -1-2	
1	P R 7 -8001a	Accessory tools unit	1	1	1	
2	P R 71 B -8002a	Accessory unit	1			
3	P R 10 -8002r	"		1		
4	P R 13 -8002z	"			1	
5	R 31 -3011a	4 extension axle tube assembly	2	2	2	outer diameter 65φ old type
6	P R 10 -9128 G	V pulley (65φ)	1	1		F-17084-1001 outer diameter
7	P R 13 -9112 G	V pulley (47P.D)			1	56φ
8	P R 10 -9127 G	V pulley (154φ)	1	1	1	old type F-17084-1002
9	P R 10 -9124	V belt	2	2		LA35 inch or SA35 inch
10	P R 13 -9113	V belt			2	LA34 inch or SA34 inch



Transmission 201 - 06

No.	Part No.	Name of part	Q'ty		ITCA	Remarks
			MP 12B	MP 11B		
**1	PR72-4029	Transmission case assembly (left)	1	1		Incl. 3, 4
**2	PR7-4030	Transmission case assembly (right)	1	1		"
3	4160A	Oil seal (axle)	2	2	○	
4	S-BB-6206	Bearing	2	2		
5	MP12-4124/1a	Main shaft case (left)	1	1	○	
6	MP11-4124/1a	Main shaft case (left)	1	1	○	
7	PR7-4225c	Main shaft case (right)	1	1	○	
8	S-BB-6203N	Bearing	2	2		#6203
9	6202	Bearing	2	2		#6202
10	S-O-S-T-C 17358	Oil seal	2	2		#17358
11	MP12-4027/1a	Sprocket wheel (9 T) unit	1	1	○	
12	MP12B-4163	Washer (Shaft A)	2	2	×	
13	PR7-4028b	Axle assembly	1	1	○	
14	MP12B-4072	Shaft A assembly	1	1	×	Incl. 15
15	MP12B-4123	Shaft A	1	1	×	
16	PR71-4141a	Color	1	1	○	
17	MP12B-4135	Gear B	1	1	×	
18	MP11B-4135	Gear B	1	1	×	
19	MP12B-4136	Shaft B	1	1	×	
20	MP11B-4136	Shaft B	1	1	×	
21	MP12B-4137	Gear B1	1	1	×	
22	4138	Gear C	1	1	×	
23	PR72-4138c	Shaft C	1	1	○	
24	MP12B-4128	Gear D, F	1	1	×	
25	4031	Shifter unit (main)	1	1	×	

No.	Part No.	Name of part	Q'ty		ITCA	Remarks
			MP 12B	MP 11B		
26	MP12B-4070	Shifter unit (sub)	1	1	×	
27	4141	Color (shaft A)	1	1	×	
28	PR7-4145b	Washer (shaft C)	2	2	○	
29	MP12-4044b	Shifter arm unit	1	1	○	
30	4414a	F-type clip	2	2	○	
31	PR7-4162a	Seal washer	2	2	○	
32	4148a	Push screw	2	2	○	
33	4249b	Packing (main shaft case right)	1	1	○	
34	PR72-4149a	Main shaft case packing (left)	1	1	○	
35	PR7-4150c	Packing (transmission case)	1	1	○	
36	4151b	Spring (shifter set)	2	2	○	
37	MP12-4152a	Roller chain	1	1	○	
38	PR7-4155a	Cap (P.T.O shaft)	1	1	○	
39	4157a	Oil plug	1	1	○	
40	MP12-4413a	Change lever (sub)	1	1	○	
41	461-2102	Grip	1	1		
42	MP12B-4161	Washer (shaft A)	1	1	×	
43	4461-5230	Bolt M 8	1	1		
45	PR10-4916d	Wire receiver plate unit	1	1	○	
46	0016606202	Bolt (seems) M 6 × 20	20	20		
47	0021706000	Nut M 6	20	20		
48	0021712000	Nut M12	2	2		
49	0022710000	Nut M10	2	2		
50	0032012000	Spring washer M12	2	2		
51	0031519000	Snap ring (outer)	2	2	×	

Transmission 201 - 06

No.	Part No.	Name of part	Qty		ITCA	Remarks
			MP12	11B		
52	0013106080	Screw (pan head)	1	1		M 6 X 8
53	0011106200	"	3	3		M 6 X 20
54	0011106250	"	5	5		M 6 M25
55	0011106300	"	5	5		M 6 X 30
56	0011106450	"	2	2		M 6 X 15
57	0051116001	Soap pin	1	1		
58	0051904200	Spring pin	2	1		
59	0069051600	Steel ball	2	1		
60	6-2610	Flat type fiber packing	1	1		
61	8-2610	"	1	1		
62	16-2610	"	1	1		
63	S-O-R-P-9	O-ring for movement	1			
64	S-O-R-P12	"	1	1		

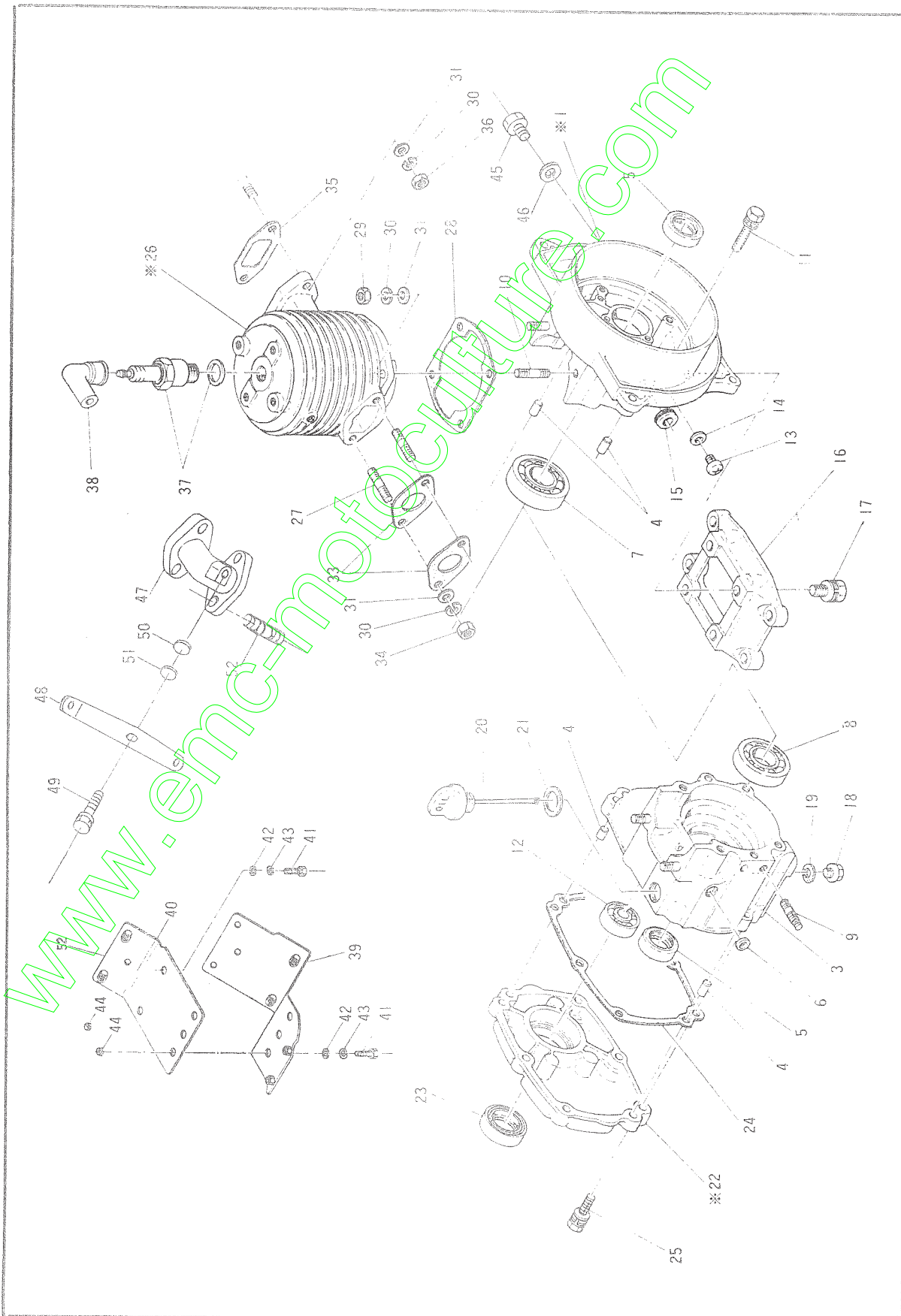
www.enr-motoculture.com



**MEMO**

[www.emc-motoculture.com](http://www.emc-motoculture.com)

Crankcase & Cylinder ( E C 07 - 2 B 1 ) 201 - 07

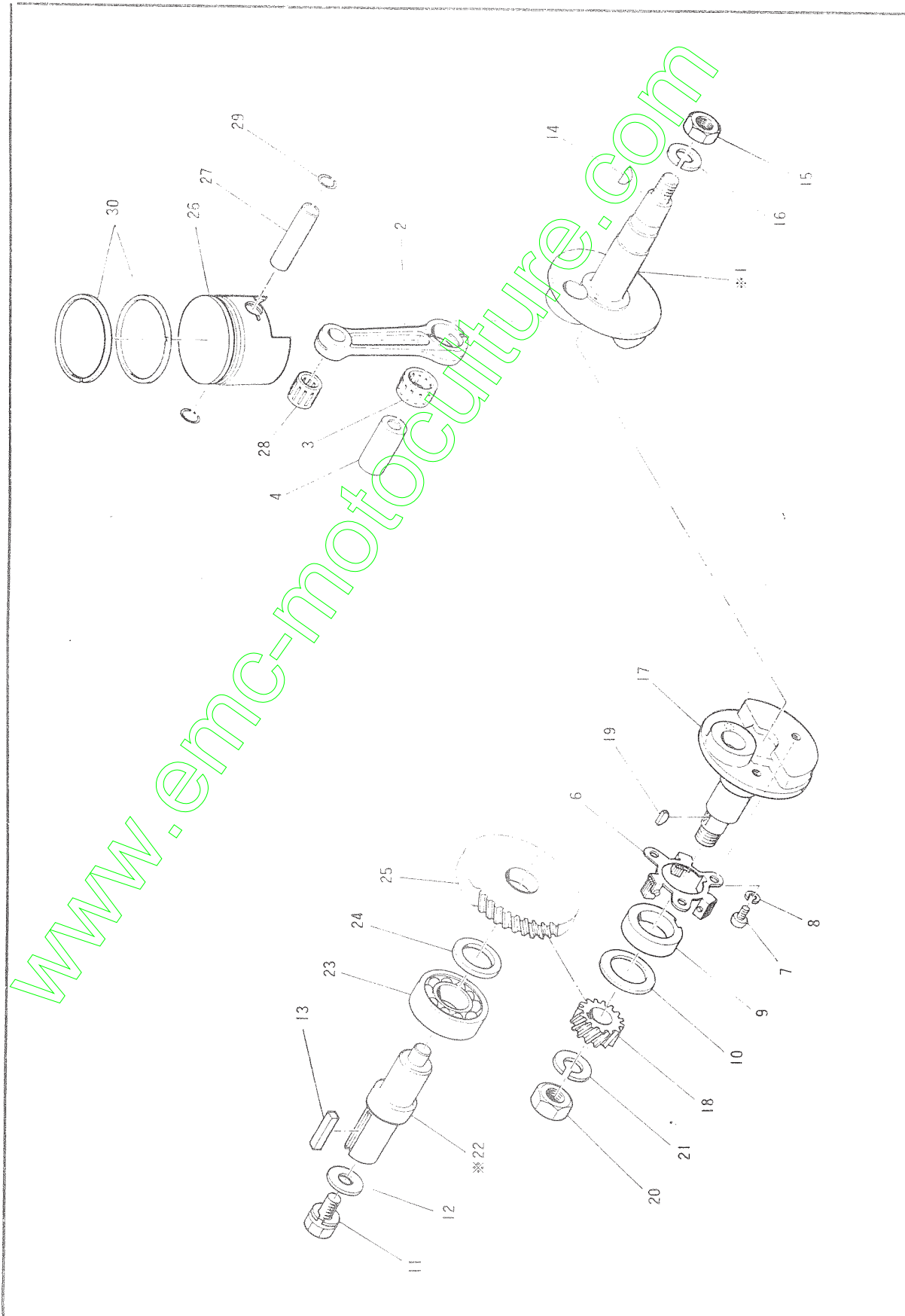


Crankcase & Cylinder (E C 07 - 2 B T) 201 - 07

No.	Part Number	Name of Part	Q'ty	Old Part No.	Remarks
※1	1291030411	Crankcase compl	1		Incl. 3~12
5	0440200020	Oil seal	2		20×30×7
6	0440060010	Oil seal	1		6×10×2.5
7	0600200020	Ball bearing	1	S-B B-6204 C3	
8	0600200010	Ball bearing	1	S-B B-6004 C3	
9	0105060050	Stud	1		
★10	0013206280	Stud	4		
★11	0011406350	Bolt and washer assy	4		
12	0600120020	Ball bearing	1	S-B B-6201 C3	
★13	0043106080	Screw	1		
★14	0037106000	Gasket	1	6-2610	
15	0241060020	Grommet	1	E C 07 D-710 2	
16	1291340103	Base	1	K M 61-112	
★17	0011408200	Bolt and washer assy	4		
18	0101080010	Plug	1	E C 53 E-115 0	
19	0210080010	Gasket	1	E C 51 A-102 13	
20	1066360501	Oil gauge compl.	1		
21	0210160010	Gasket	1	K D 43 T-962 3	
※22	1298060211	Reduction cover compl.	1		Incl. 23
23	0140250051	Oil seal	1	No. 70 S-O S-T B 25347	
24	1298500103	Gasket (cover)	1		
★25	0011406250	Bolt and washer assy	6		
※26	1291240101	Cylinder compl.	1		Incl. 27
★27	0013106281	Stud	2		
28	1291500103	Gasket (cylinder)	1		

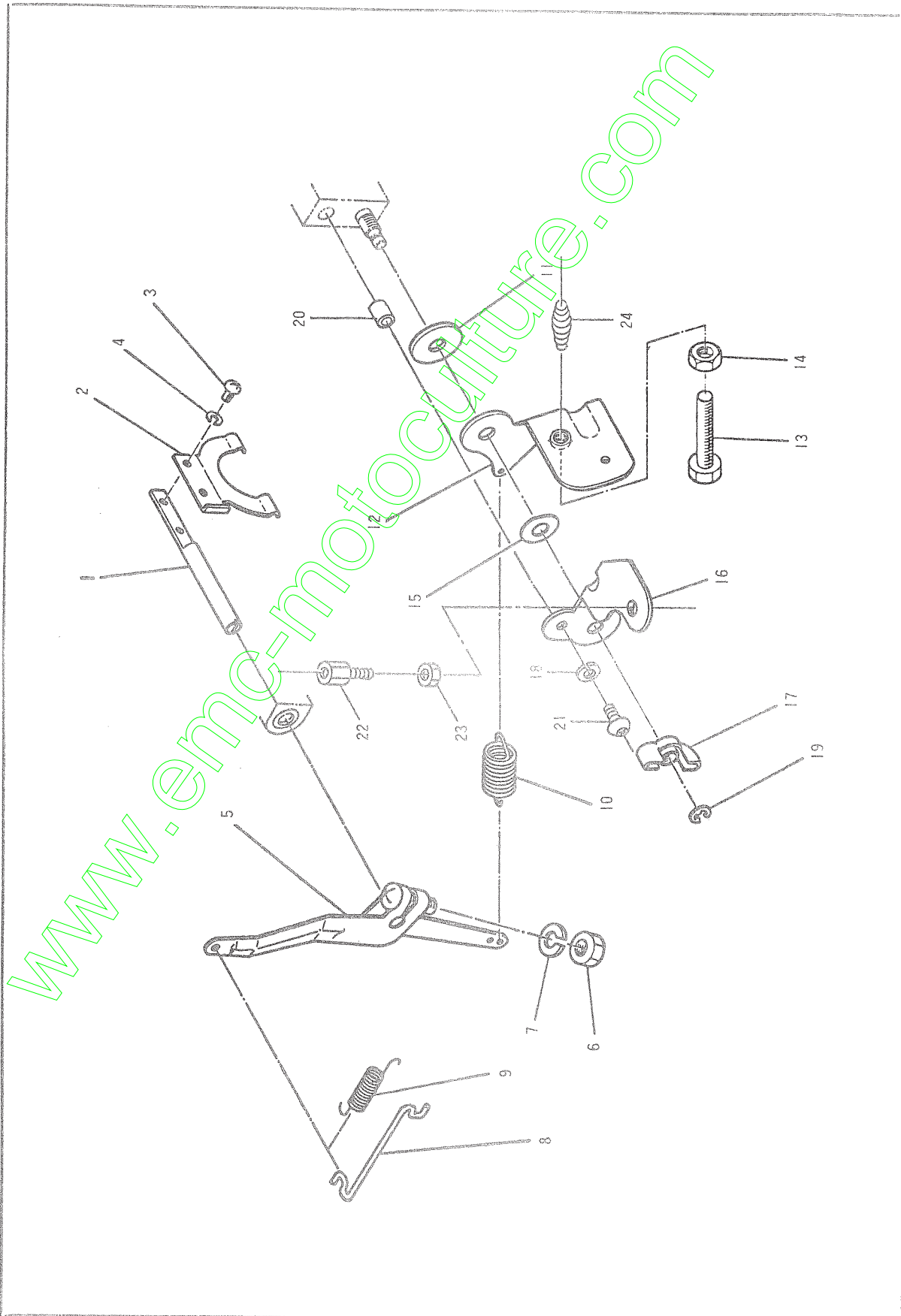
No.	Part Number	Name of Part	Q'ty	Old Part No.	Remarks
★29	0021806000	Nut	4		
★30	0032006000	Spring washer	8		
★31	0031006000	Washer	8		
33	1063500103	Gasket (insulator)	2	E C 51 A-601 12	
★34	0022706000	Nut	2		
35	1293500203	Gasket (muffler)	1		
★36	0021906000	Nut	2		
37	0650140031	Spark plug	1	T G 37 E-710 1/1	NGK B-6H S
38	0655000010	Spark plug cap	1	E C 10 D-701 3	
39	1291360101	Base 1 compl	1		
40	1291360201	Base 2 compl	1		
41	0016608300	Bolt	4		
42	0031008000	Washer	4		
43	0032008000	Spring washer	4		
44	0021808000	Nut	4		
45	0402100010	Plug	1		
46	0037110000	Gasket	1		
47	1293300103	Intake pipe	1		
48	1064540101	Lever	1		
49	0011006120	Bolt and washer assy	1		
50	0230060020	Spacer	1		
51	0200060020	Washer	1		
52	0013106251	Stud	2		

Crankshaft, Piston (E C 07 - 2 B T) 201 - 08



Crankshaft, Piston (E C07 -2BT) 201 - 08

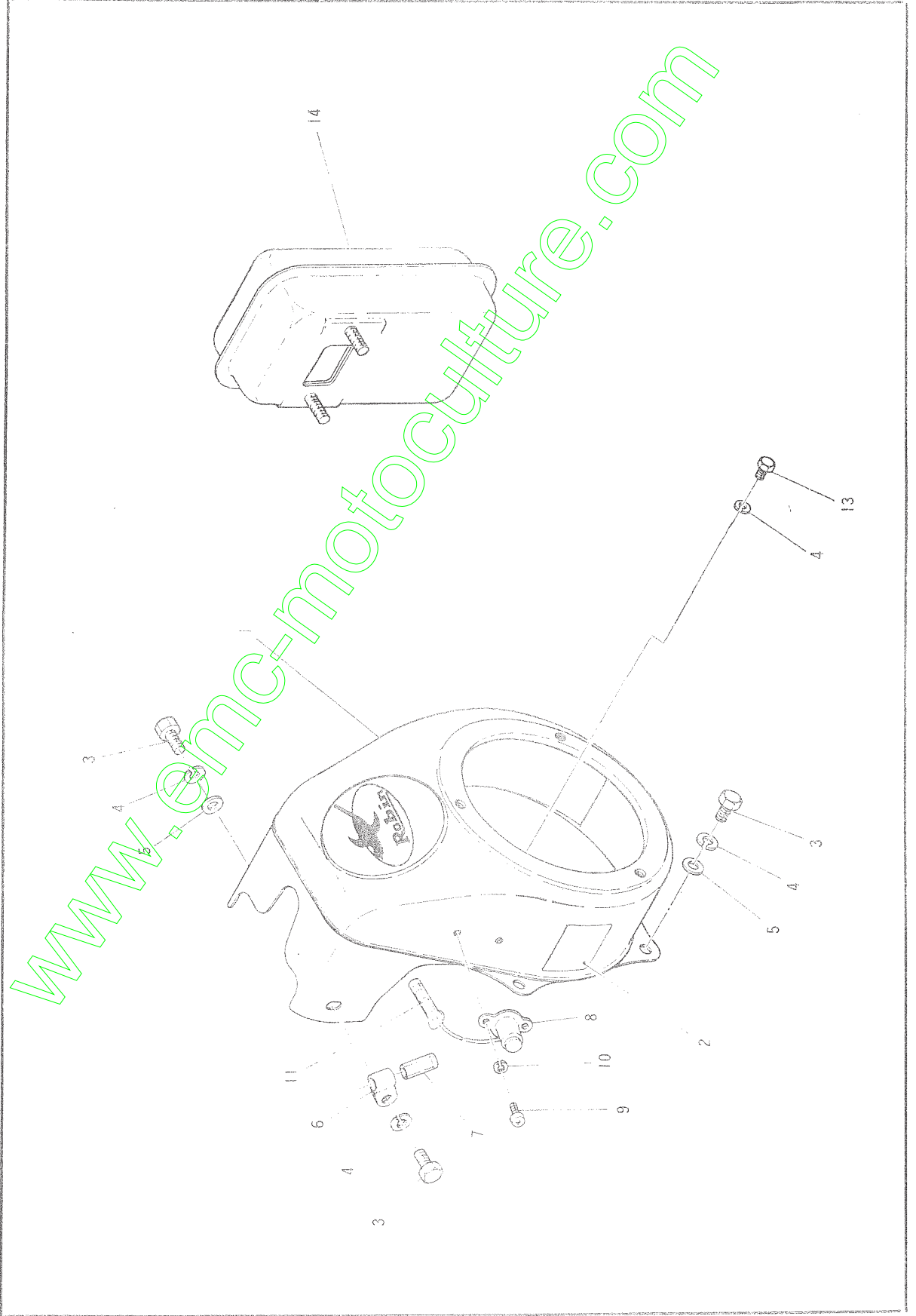
No.	Part Number	Name of Part	Qty	Old Part No.	Remarks
1	1292030300	Crankshaft assy	1	No. 69	Incl. 2~4, 17
6	1291170201	Governor plate ep	1	No. 58	
7	0043105000	Screw	3		
8	0032003000	Spring washer	3		
9	1291190103	Governor sleeve	1		
10	0230230020	Spacer	1		
14	0323040020	Woodruff key	1	4 × 5 -3337	
15	0170100010	Nut	1	E C10D-210	
16	0032010000	Spring washer	1	5	
18	1298220103	Reduction pinion	1		
19	0053203100	Woodruff key	1	3.7-3336	
20	0022312000	Lock nut	1		
21	0032012000	Spring washer	1		
22	1298130101	Driving shaft compl.	1		Incl. 23~25
22	1298130103	Driving shaft	1		
23	0600200010	Ball bearing	1	S-B-B-6004	
24	0230200010	Spacer	1	C3	
25	1298210103	Reduction gear	1	E C07-2 × 2	
26	1292310301	Piston compl.	1	-8106	
27	1062330113	Piston pin	1	No. 69	
28	0610120010	Needle bearing	1	No. 69	KM21-233
29	0565120010	Clip	2	No. 69	KM11-207a
30	1292350107	Piston ring set	1	No. 69	



Governor (EC07 - 2BT) 201 - 09

No.	Part Number	Name of Part	Qty	Old Part No.	Remarks
1	1294220103	Governor shaft	1		
2	1294210113	Governor yoke	1		
★3	0043103050	Screw	2		
★4	0032003000	Spring washer	2		
5	1294230201	Governor lever compl	1	No. 23ニテ	
★6	0021706000	Nut	1		
★7	0032006000	Spring washer	1		
8	1054270111	Governor rod	2	EC07D-411 1/1	
9	1061280111	Rod spring	2	EC51C-411 3a	
10	1294250111	Governor spring	1	No. 49ニテ	
11	0217060020	Friction washer	1	EY21A-419 0	
12	1294330101	Speed control	1		
★13	0016506100	Bolt	1		
★14	0022706000	Nut	1		
15	0200070010	Washer	1		
16	1294350111	Stop plate	1	No. 22ニテ	
★17	0178060010	Wing nut	1	No. 44ニテ	
★18	0032006000	Spring washer	1	No. 22ニテ	
19	1294500103	Clip	1		
20	0230060090	Spacer	1	No. 22	
21	0043106140	Screw	1	No. 22	
22	0149060011	Adjusting screw	1	No. 42	
23	0022706000	Nut	1	No. 42	
24	0830000010	Coil spring	1		

Blower housing, Muffler & Ssartir pulley (E C 07 - 2 B T) 201 - 10



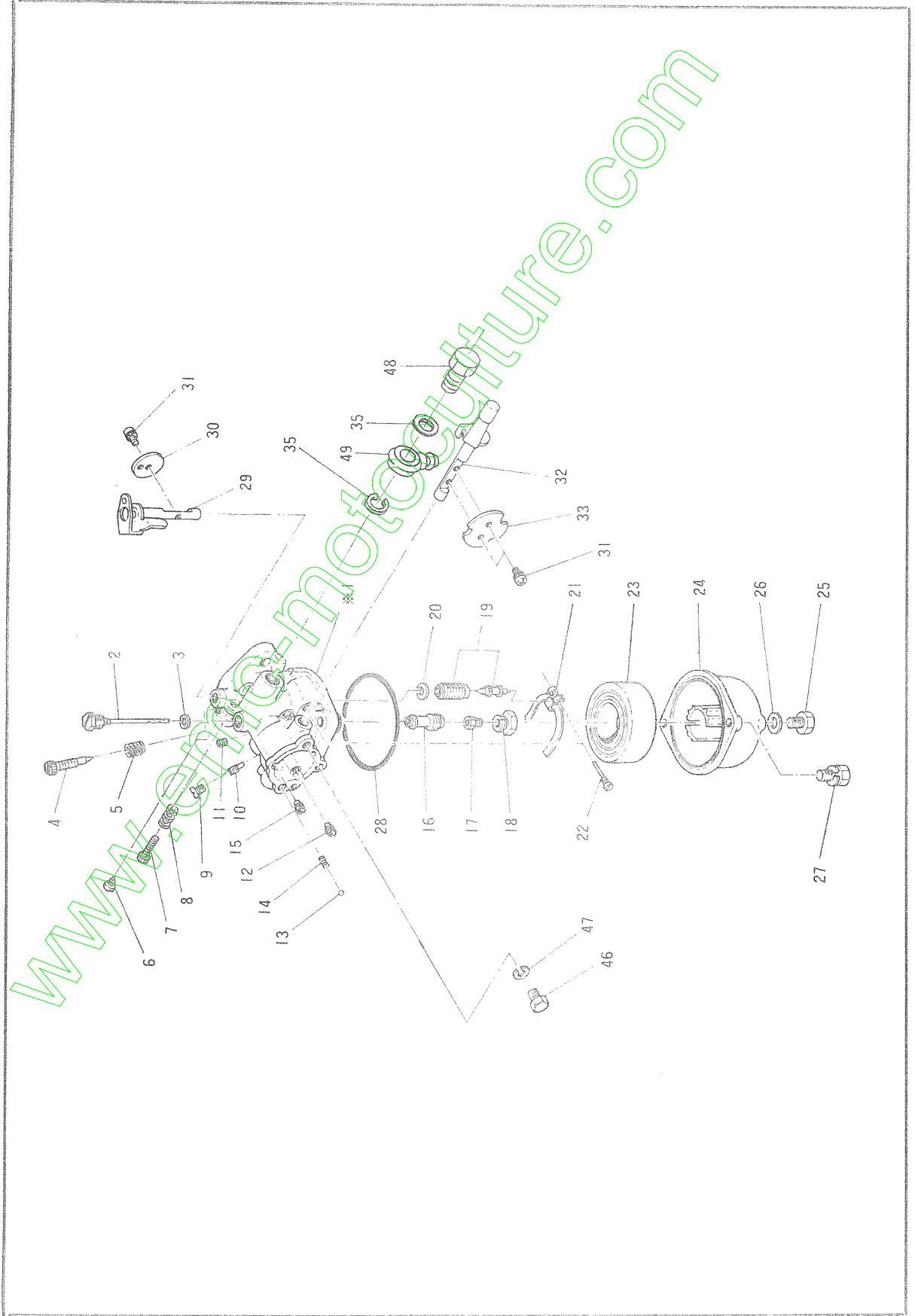


Blower housing, Muffler & Starting pulley (E C 51 - 2B T) 201 -- 10

No.	Part Number	Part of Name	Q'ty	Old Part No.	Remarks
※1	1295J11001u	Blower housing compl.	1	Incl. 2	
2	1299180203	Label (engine name)	1		
★3	0016506129	Bolt	6		
★4	0032006000	Spring washer	8		
★5	0031006000	Washer	5		
6	0566100030	Clamp	1	E C 53 E - 710	
7	0850060010	Vinyl pipe	1	E C 10 G - 610	
8	0662000010	Stop button	1	E C 53 E - 705	
★9	0043101080	Screw	2		
★10	0032001000	Spring washer	2		
11	2067310101	Wire compl.	1	4053	
★13	0016606120	Bolt	2		
14	1293011401TA	Muffler compl.	1		

www.emc-motoculture.com

Carburetor & Air cleaner (E C 07 - B T) 201 - 11

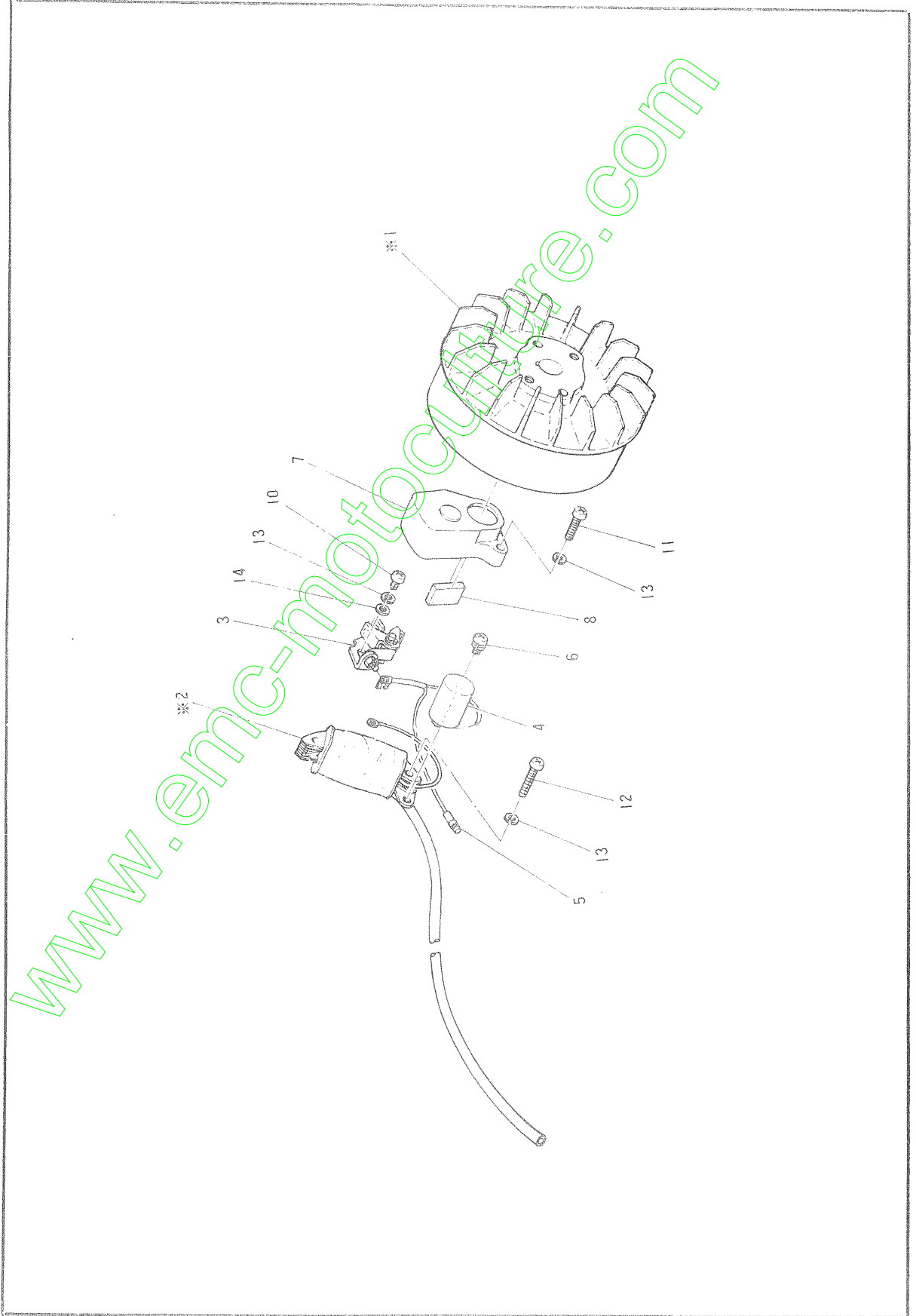


Carburetor & Air cleaner (E C 07 - 2B T) 201 - ..

No.	Part Number	Name of Part	Q'ty	Old Part No.	Remarks
*1	1296240400	Carburetor assy	1		Incl. 2~34
2	1066235508	Breed pipe compl.	1	B V18/08a	
3	1066235408	Packing (rubber)	1	B V18/16a	
4	1066243508	Pilot screw	1	B V18/145	
5	2096244508	Throttle stop spring	1	B34/11a	
6	1066235708	Guide screw	1	B V16/06a	
7	1066235808	Screw	1	S 3=0414	
8	1066244508	Throttle stop spring	1	B D28/48	
9	1066236008	Pilot plug	1	N107, 045	
10	1066242008	Pilot jet	1	M28/1001	# 30
11	1066235908	Venturi set screw	1	B V21/35	
12	1066241008	Air jet	1	B S 30/97	# 1, 2φ
13	2096235308	Steel ball	1	B 21/28	# 1, 5
14	2096244608	Choke spring	1	B 21/29	
15	1066241108	Air jet	1	B S 30/97	
16	1066244008	Main nozzle	1	B V18/22	
17	1296240108	Main jet	1	N102/221	# 77.5
18	1056242508	Main jet holder	1	B V18/52	
19	1296250008	Needle valve assy	1	B V18/180	# 1.5
20	1066254508	Packing	1	B V18/39	
21	1066251008	Float arm	1	V M16/24	
22	1296251608	Pin (float arm)	1	B V18/202	
23	1296250508	Float	1	B V18/178	
25	1066235008	Bolt	1	B V18/18	
26	1066234508	Banjo bolt washer	1	F 12T1/04	

No.	Part Number	Name of Part	Q'ty	Old Part No.	Remarks
27	1066235208	Bolt and washer assy	2	BW2=0512	
28	1066254008	Float chamber packing	1	V F14T1/47	
29	1066253008	Throttle shaft assy	1	B V18A/101	
30	1066253508	Throttle valve	1	B V18/07	# 17.5
31	2096235108	Screw and washer assy	3	CW2=0305	
32	1296252008	Choke shaft assy	1	B V18/147	
33	1066252508	Choke valve	1	B V18/20	
35	2096231108	Insert washer	2	F B20/13	
★46	0016505080	Bolt	2		
★47	0032005000	Spring washer	2		
48	1066233508	Banjo bolt	1		
49	0521100011	Banjo	1		

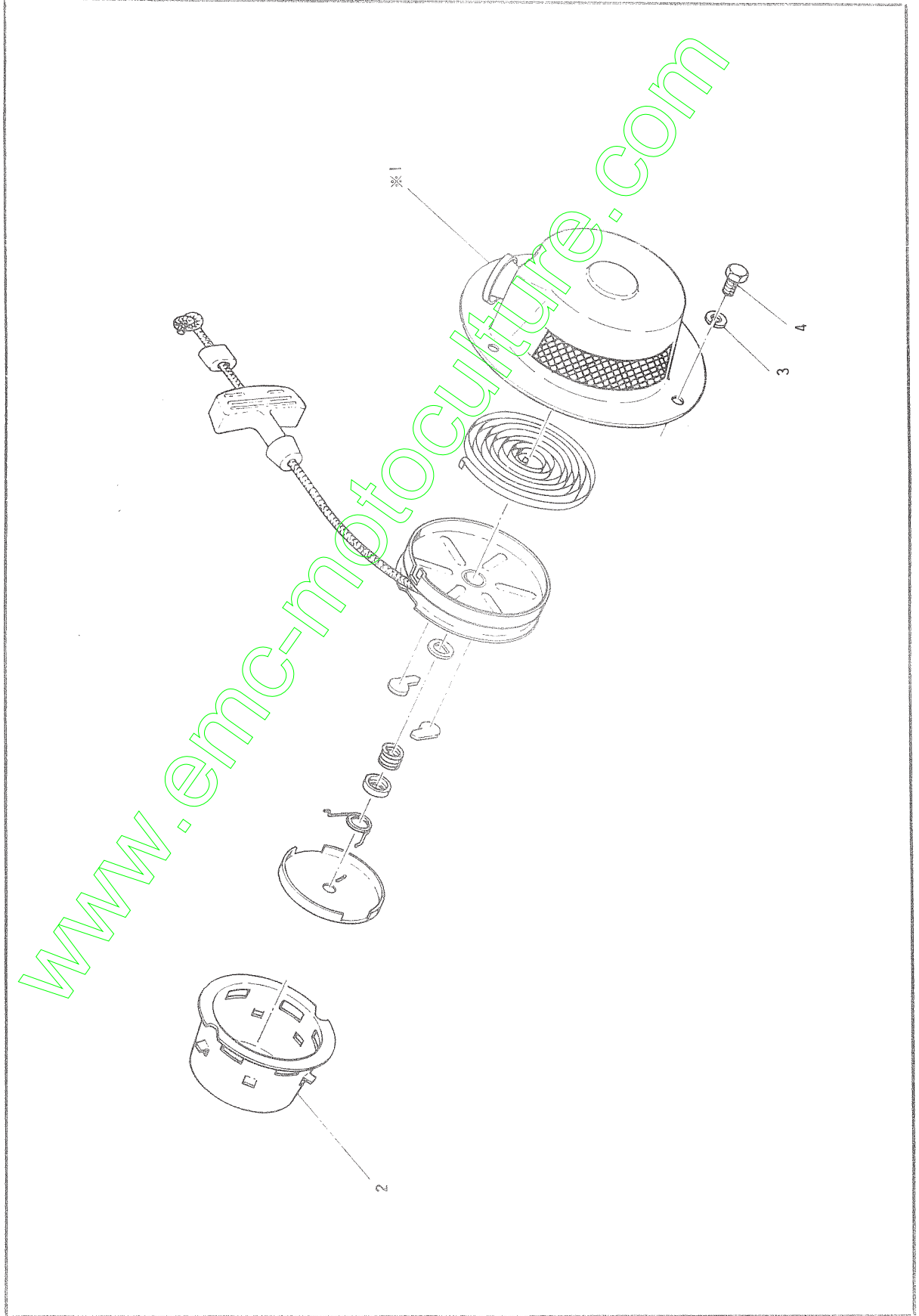
Magneto (E C 07 - 2 B T) 201 - 12



Magneto (E C 07 - 2 B T) 201 - 12

No.	Part Number	Name of Part	Q'ty	Old Part No.	Remarks
※1	1297010120	Magneto assy	1	No. 68	Incl. 2~8
1	1297012108	Flywheel	1	NK2-531 No. 68	
※2	1297010008	Generating assy	1	NH-531	Incl. 3~7
2	1297013008	Ignition coil	1	NH4Q-566	
3	1297021508	Breaker	1	ND2G-97	
4	1297021008	Condenser	1	H5-48	
5	1297023508	Cord compl.	1	H6K-501	
6	1077015208	Screw assy	1	SCK-S S4 08	
7	1297022108	Point cover	1	D4-54 No.62	Incl. 8
8	1297022508	Oil felt	1	Z802-30	
★10	0043104080	Screw	1		
★11	0043104160	Screw	2		
★12	0043104250	Screw	2		
★13	0032004000	Spring washer	5		
★14	0031140000	Washer	1		

Recoil starter (E C 07 - 2 B T) 201 -

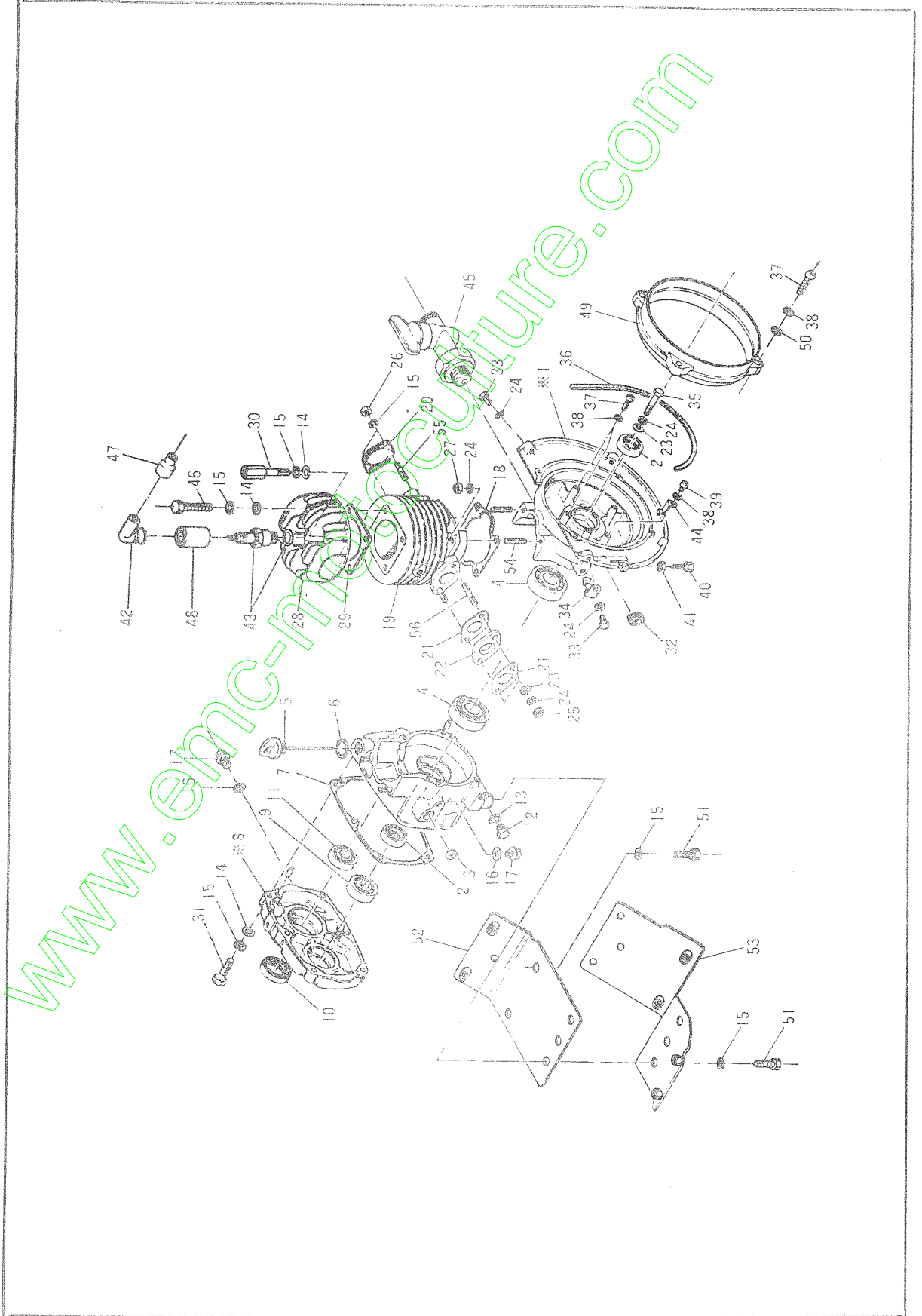


Recoil starter (E C 07 - 2 B T) 201 - 13

No.	Part Number	Name of Part	Qty	Old Part No.	Remarks
※1	1295031100U	Recoil starter assy	1		Incl. 2
2	1295014708	Starter pulley	1	A7000522091 0	
★3	0016606120	Bolt	3		
★4	0032006000	Spring washer	3		

www.emc-motoculture.com

Crank case, Cylinder (E C10 - B T) 201 - 14





Crank case, Cylinder (E C 10 B - T) 201 - 14

No.	Part No.	Name of part	Q'ty	Old part No.	Remarks
1	1061020221	Crank case complete	1		Incl. 2-5, 11, 23, 24, 35
2	0440200010	Oil seal #20328	2		
3	0440080010	Oil seal #74144	1		
4	0600200020	Ball bearing #6201C3	2		
5	1066360401	Oil sledge complete	1		
6	0210160010	Gasket	1		
7	1038500123	Gasket (cover)	1		
8	1038060301	Reduction cover (screw)	1		Incl. 9, 10
9	0600120010	Ball bearing #6301C3	1		
10	0440250010	Oil seal #25387	1		
11	0600150010	Ball bearing #6202C3	1		
12	0100100010	Plug	1		
13	0037110000	Gasket	1		
14	0031008000	Washer M 8	10		
15	0032008000	Spring washer M 8	16		
16	0210080010	Gasket	2		
17	0401080010	Plug	2		
18	1061500113	Gasket (cylinder)	1		
19	1061240111	Cylinder complete	1		
20	1063510111	Gasket complete (exhaust)	1		
21	1063500103	Gasket (insulator)	2		
22	1063290103	Insulator	1		
23	0031006000	Washer M 6	6		
24	0032006000	Spring washer M 6	14		
25	0022706000	Nut M 6	2		

No.	Part No.	Name of part	Q'ty	Old part No.	Remarks
26	0021908000	Nut M 8	2		
27	0021806000	Nut M 6	4		
28	1061300103	Cylinder head	1		
29	1061510101	Gasket complete (head)	1		
30	0160080020	Bolt	2		
31	0016668300	Bolt M 8 x 30	6		
32	0241060020	Grommet	1		
33	0016506120	Bolt M 6 x 12	4		
34	0566600022	Clamp	1		
35	0016666350	Bolt M 6 x 35	6		
36	1067500113	Dust felt	1		
37	0043104200	Screw M 4 x 20	6		
38	0032004000	Spring washer M 4	7		
39	0013104080	Screw M 4 x 8	1		
40	0149060011	Adjusting screw	1		
41	0022706000	Nut M 8	1		
42	0055000010	Spark plug cap	1		
43	0054040010	Spark plug	1		
44	0566600047	Clamp	1		NGK B-4
45	0613600100	Drain screw	1		
46	0103080010	Bolt	2		
47	0422000060	Cap (rubber)	1		
48	0422000063	Cap (rubber)	1		
49	1067180103	Dust ring	1		
50	0031004000	Washer M 4	4		

Crank case, Cylinder (E C10B - T) 201 - 14

No.	Part No.	Name of part	Q'ty	Old part No.	Remarks
51	0016608200	Bolt M 8 × 20	4		
52	1061360101	Base 2 complete	1		
53	1061350101	Base 1 complete	1		
54	0013206280	Stud bolt	4		
55	0013108301	✓	2		
56	0013106351	✓	2		

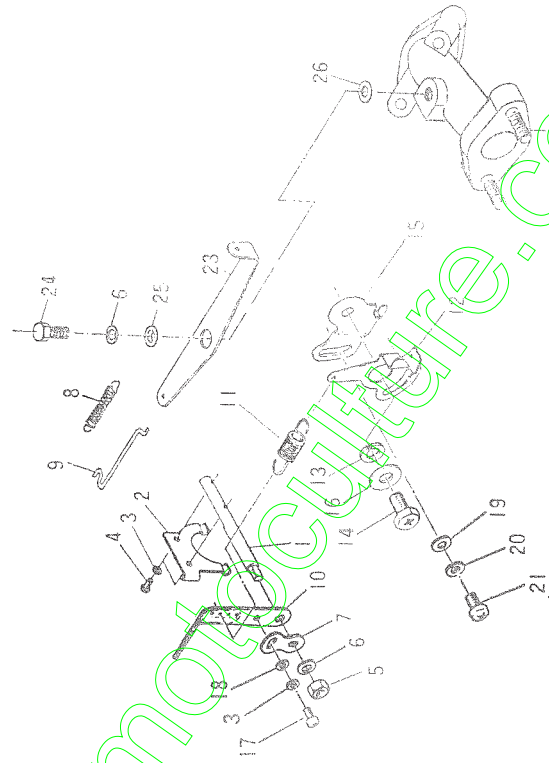
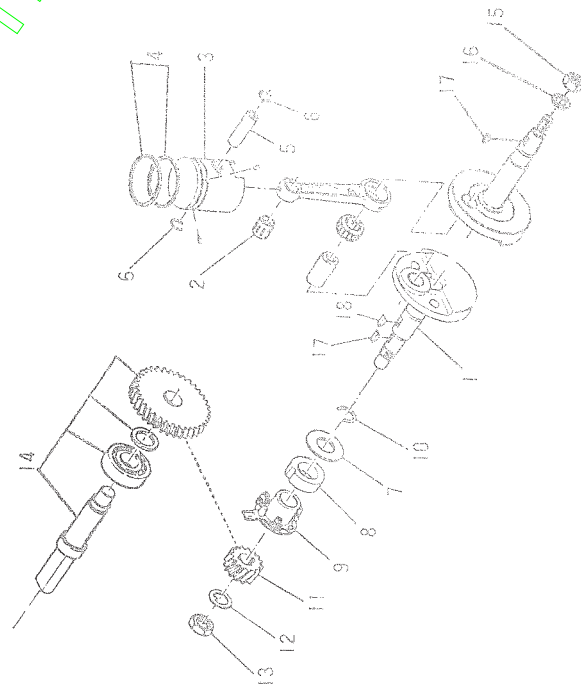
www.emc-motoculture.com

MEMO

[www.emc-motoculture.com](http://www.emc-motoculture.com)

Crank shaft, Piston (E C 10 B T) 201 - 15

Governor (E C 10 B T) 201 - 16



Crank shaft, Piston (E C 10 - B T) 201 - 15

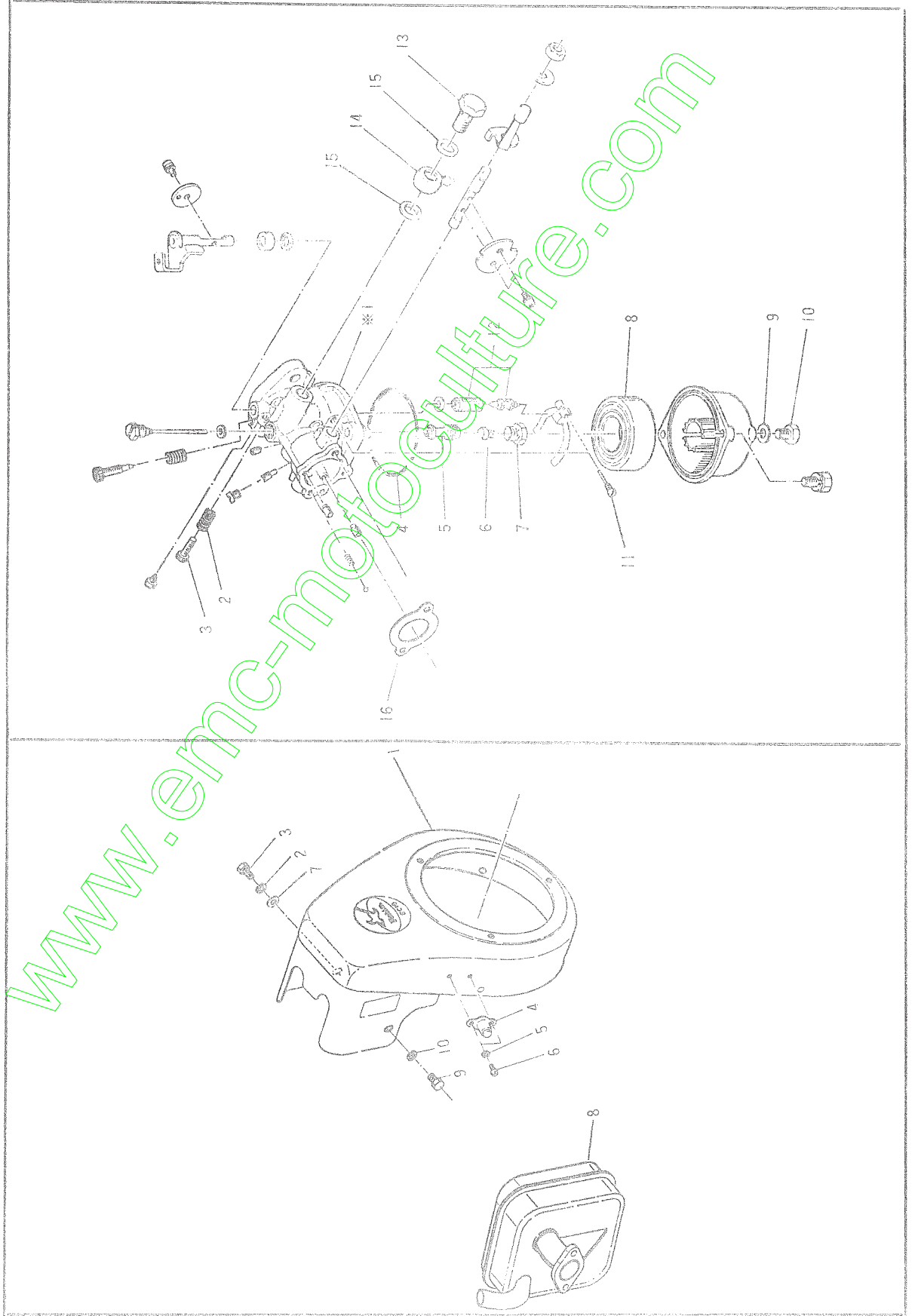
Governor (E C 10 - B ) 201 - 16

No.	Part No.	Name of part	Q'ty	Old part No.	Remarks
1	1062010100	Crank shaft assembly	1		
2	0610120010	Needle bearing	1		
3	1062310101	Piston complete	1		} Complete
4	1062360103	Top ring	1		
	1062370103	Scraper ring	1		
5	1062330103	Piston pin	1		
6	0565120010	Clip	1		
7	0330250010	Spacer	2		
8	1061190113	Governor sleeve	1		
9	1061170101	Governor plate complete	1		
10	0565200020	Clip	1		
11	1058220103	Reduction pinion	1		
12	0203160010	Rock washer	1		
13	0022316000	Rock nut	1		
14	1068110201	Driving shaft complete	1		
15	0170100010	Nut	1		
16	0032010000	Spring washer	1		
17	0323010020	Woodruff key	1		
18	0323010010	Woodruff key	2		

No.	Part No.	Name of part	Q'ty	Old part No.	Remarks
1	1064220103	Governor shaft	1		
2	1064210103	Governor yoke	1		
3	0032004000	Spring washer M 4	3		
4	0043104060	Screw M 4 x 6	2		
5	0022706000	Nut M 6	1		
6	0032006000	Spring washer M 6	2		
7	1064240101	Adjusting plate	1		
8	1064280111	Rod spring	1		
9	1054270111	Governor rod	1		
10	1064230301	Governor lever	1		
11	1064250101	Governor spring	1		
12	1054350121	Stop plate	1		
13	0032008000	Spring washer M 8	1		
14	0017008160	Bolt M 8 x 16	1		
15	1054330109	Governor control	1		
16	0021103090	Washer M 8	1		
17	0043104080	Screw M 4 x 8	1		
18	0043004000	Washer M 4	1		
19	0031166000	Washer M 6	1		
20	0032006000	Spring washer M 6	1		
21	0043106100	Screw M 4 x 10	1		
22	1063300101	Intake valve control	1		
23	1064510101	Lever	1		
24	0016506120	Bolt M 6 x 12	1		
25	0230060020	Spacer	1		
26	0200060020	Washer	1		

Fan cover, Muffler (E C10 - B T) 201 - 17

Carburetor (E C10 - B T) 201 - 18



Fan cover, Muffler (E C10 - B T) 201 - 17

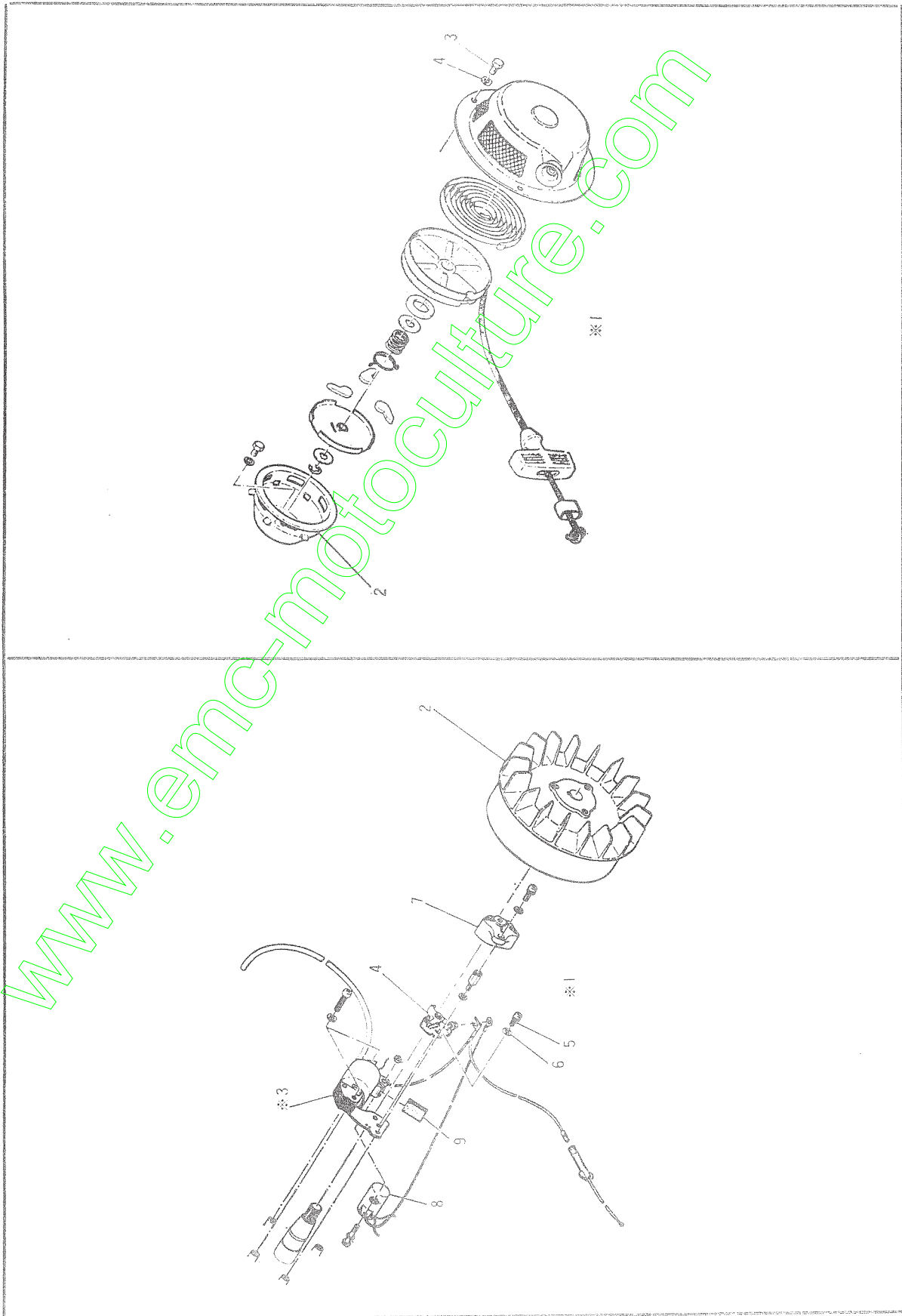
No.	Part No.	Name of part	Q'ty	Old part No.	Remarks
1	0165121501U	Blower housing complete	1		
2	0032006000	Spring washer M 6	4		
3	0016506120	Bolt M 6 × 12	4		
4	0662000010	Stop buttn	1		
5	0032004000	Spring washer M 4	2		
6	0043104080	Screw M 4 × 8	2		
7	0031006000	Washer M 6	1		
8	1063081001YA	Muffler complete	1		
9	0016608120	Bolt M 8 × 12	1		
10	0032008000	Spring washer M 8	1		

Carburetor (E C10 - B T) 201 - 18

No.	Part No.	Name of part	Q'ty	Old part No.	Remarks
1*	1066230800	Carburetor assembly	1		Incl. 2~20, 22~42
2		Throttle stop spring	1		
3		Throttle stop screw	1		
4		Float chamber packing	1		
5		Main nozzle	1		
6		Main jet (#85)	1		
7		Main jet holder	1		
8		Float	1		
9		Banjo bolt washer	1		
10		Bolt	1		
11		Float arm pin	1		
12		Needle valve	1		
13		Banjo bolt	1		
14	0521100010	Banjo	1		
15		Insert washer	1		
16	10411-306	Packing for air cleaner fitting	2		
			1		

Magneto (E C 10 - B T) 201 - 19

Recoil starter (E C 10 - B T) 201 - 20





Magneto (E C 10 - B T) 201 - 19

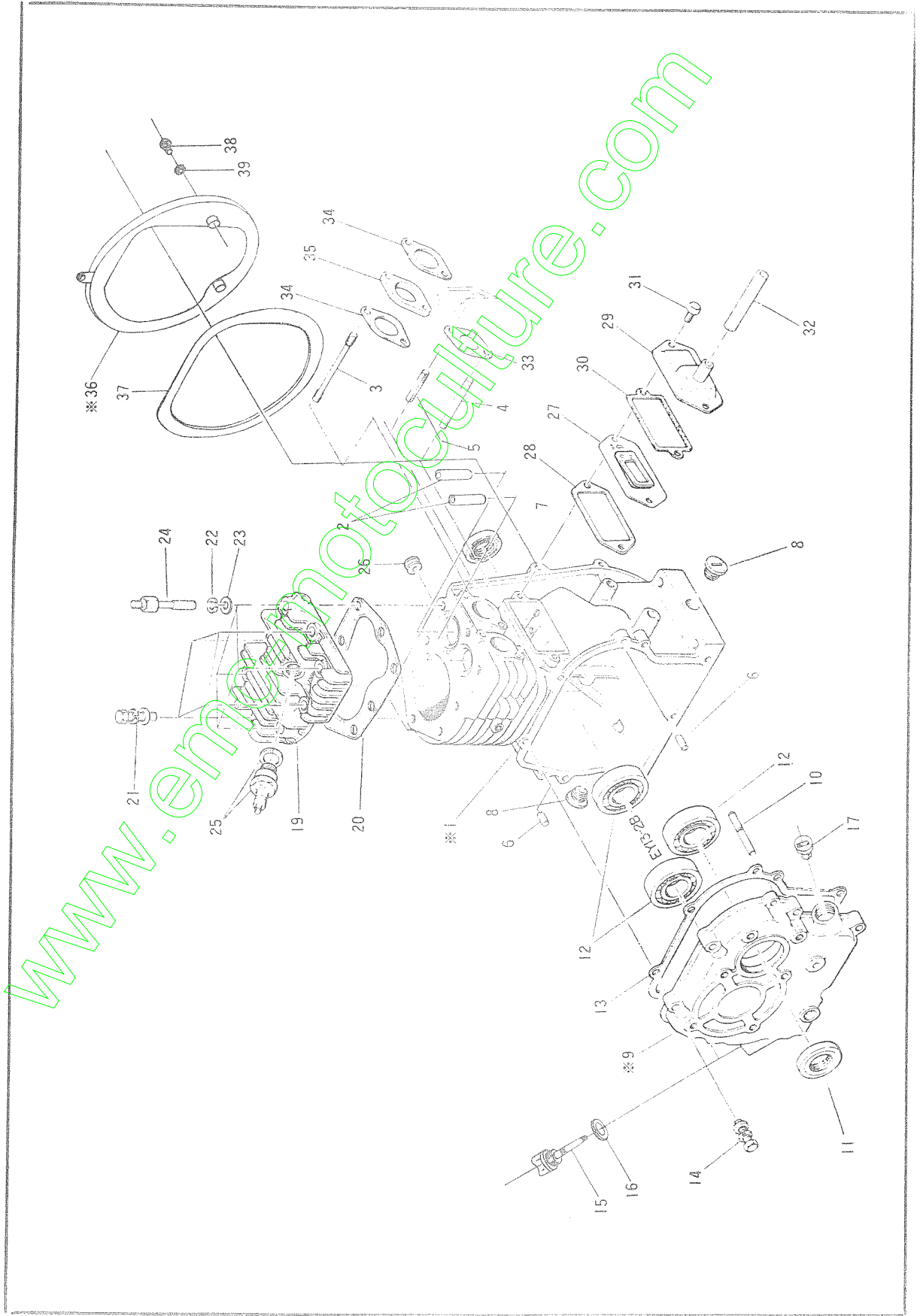
Recoil starter (E C 10 - B T) 201 - 20

No.	Part No.	Name of part	Qty	Old part No.	Remarks
1	1067010110	Magneto assembly	1		Incl. 2, 3, 7, 10
2		Flywheel complete	1		
3		Generating set	1		Incl. 4~6, 8, 9
4		Contact breaker complete	1		
5		Screw and washer assembly	1		
6		Washer	1		
7	1067110101	Breaker cover complete	1		
8		Condenser complete	1		
9		Oil felt	1		

No.	Part No.	Nams of part	Qty	Old part No.	Remarks
1	1065071000U	Recoil starter assembly	1		
2		Starting pulley	1		
3	0016606120	Bolt M 6 x 12	3		
4	0032006000	Spring washer M 6	3		

www.enr-motoculture.com

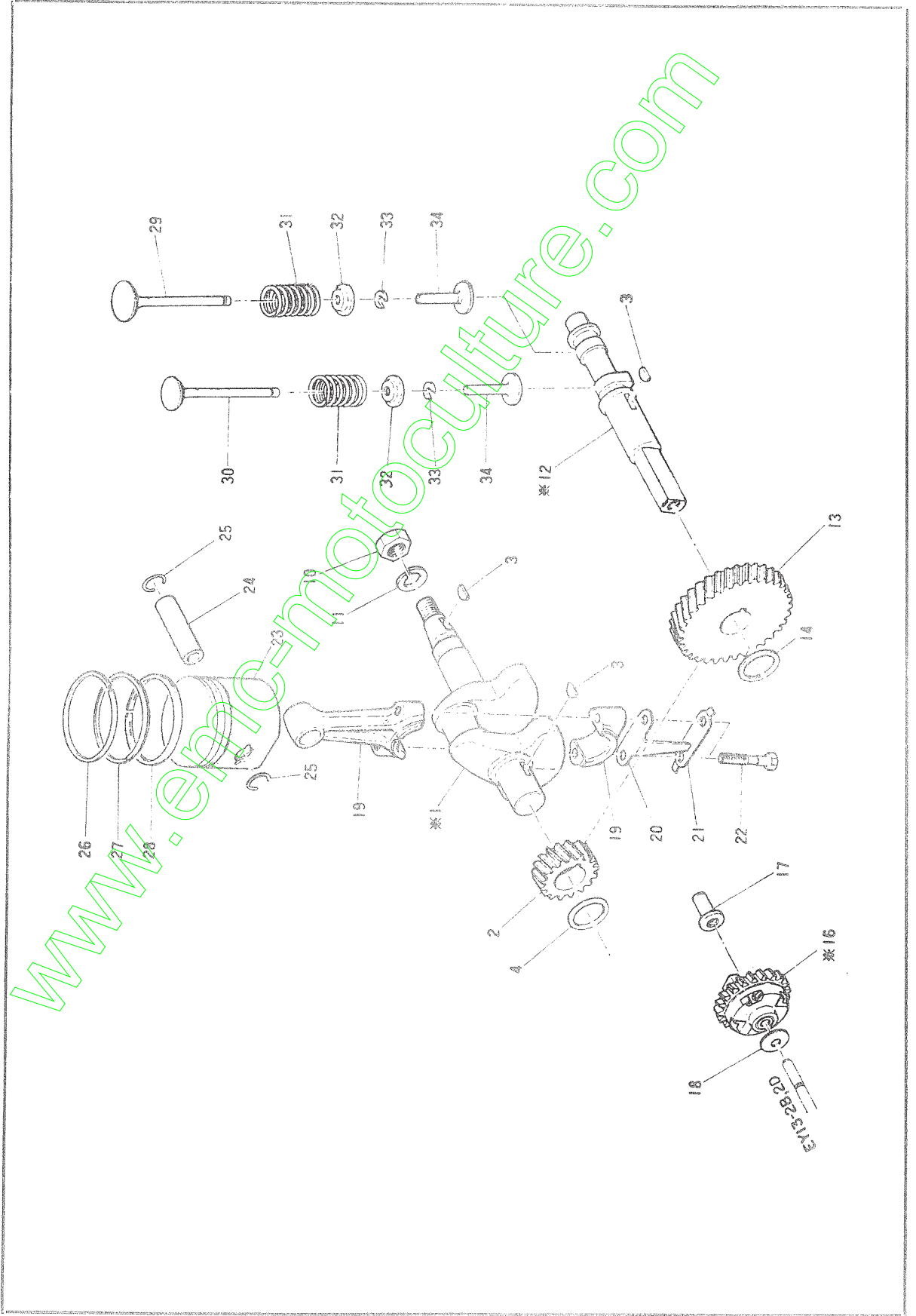
Crankcase and Cylinder head (EY13-2BT) 201-21



Crankcase and Cylinder head (EY13-2BT) Ver. -21

No.	Part No.	Part Name	Q'ty	Old part No.	Description	No.	Part No.	Part Name	Q'ty	Old part No.	Description
※1	2051020321	Crankcase compl.	1		Incl. 2 ~ 7, 12	29	2051440101	Tappet cover compl.	1		
2	2051420203	Valve guide	1			30	2051600603	Gasket (tappet cover)	1		
3	0105060010	Stud	2			★31	0016506120	Bolt	2		
5	0013206251	Stud	2			32	0851080060	Rubber pipe	1		
6	0310060010	Dowelpin	2	EC53E-1107		33	2053600103	Gasket (exhaust)	1		
7	0440220020	Oil seal	2		TB22, 35, 7	34	2053601303	Gasket (air cleaner)	2		
8	0420140011	Plug (rubber)	1	EY18B-1115 /1		35	2053290103	Insulator	1		
※9	2051090301	Main bearing cover compl.	2		Incl.10~12	※	2059900107	Gasket set	1		Incl.13, 20, 28, 30, 33, 36
11	0440220010	Oil seal	1		TB22, 41, 25, 7	※36	2055500211	Dust plate compl	1		
12	0600220010	Ball bearing	3		S-BB-62/22C3	37	2055600113	Gasket (Dust plate)	1		
13	2051600103	Gasket (bearing cover)	1			38	0043106100	Screw M6 × 10	3		
★14	0011506280	Bolt and washer assy.	1			39	0032006000	Spring washer	3		
15	2056360101	Oil gauge compl.	7								
16	0213160010	Gasket	1								
17	0420180010	Plug (rubber)	1								
19	2051300113	Cylinder head	1								
20	2051500111	Gasket compl. (head)	1								
★21	0011308350	Bolt and washer assy.	1								
★22	0032008000	Spring washer	4								
★23	0031108000	Washer	1								
24	0100080031	Bolt	4								
25	0650140031	Spark plug	4	TG37E-7101	NGK B-6 HS						
26	0214470040	Grommet	1	/1							
27	2051450111	Breather plate compl.	1								
28	2051600703	Gasket (breather plate)	1								

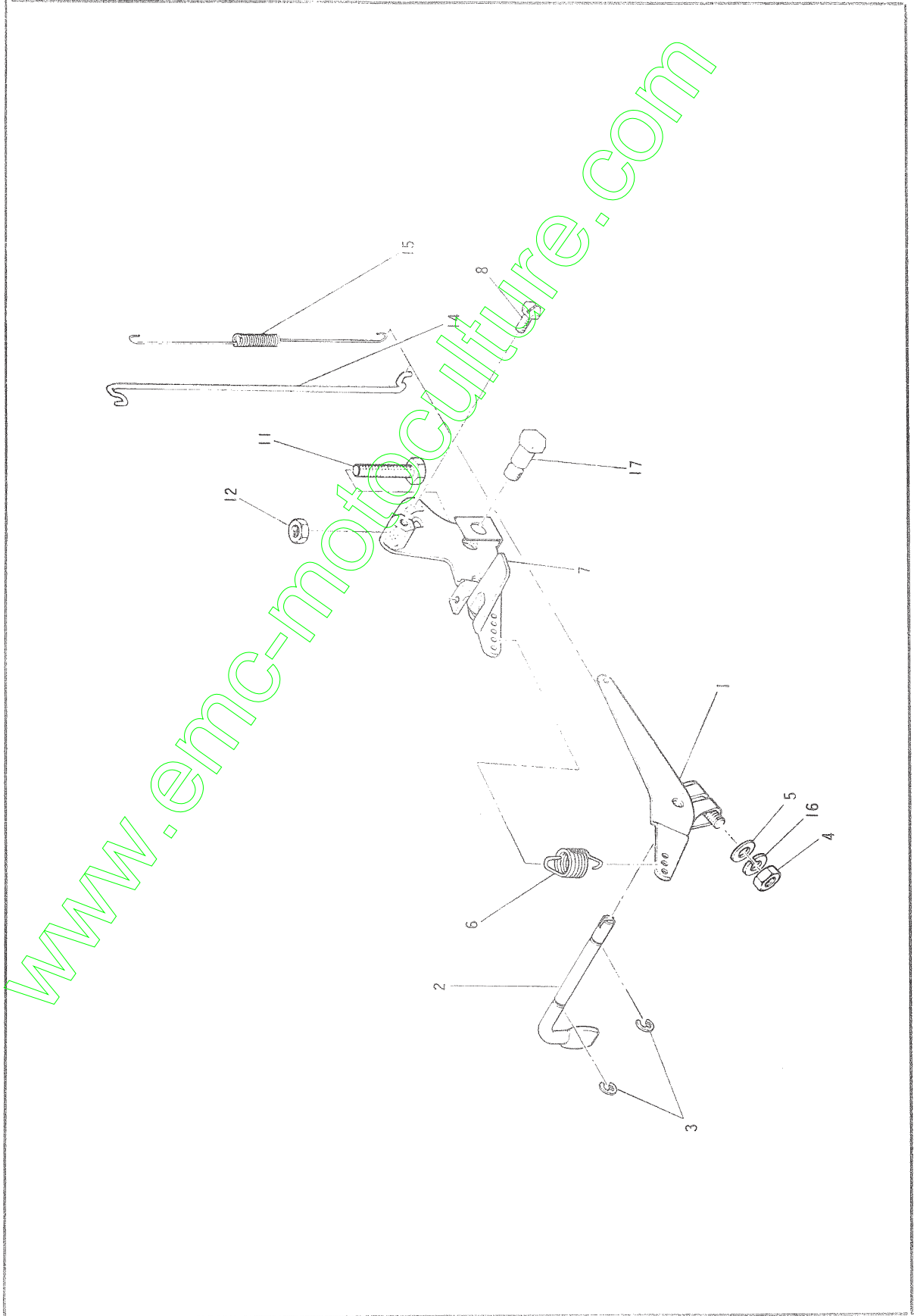
Crankschaft Camshaft and Piston ( C Y 13 - 2BT ) 201 - 22



Crankshaft Camshaft and Piston (EY13 - 2B T, 201 - 22

No.	Part No.	Part Name	Q'ty	Old part No.	Description
※1	2052010301	Crankshaft compl.	1		for B type Incl. 2, 3
1	2052010303	Crankshaft	1		
2	2052230113	Crankshaft gear	1		
★3	0053201201	Woodruff key	3		
4	0230200020	Spacer	1		(select one / piece only)
4	0230200030	Spacer	1		
4	0230200010	Spacer	1		
★7	0016608160	Bolt	1		
★8	0032000300	Spring washer	1		
9	0200080050	Washer	1	KD31-2117	
10	0170120020	Nut	1		
★11	0032012000	Spring washer	1		
※12	2053160101	Camshaft compl.	1		Incl. 8, 13
12	2053160103	Camshaft	1		for B type
13	2053320113	Camshaft gear	1		
11	0230200020	Spacer	1		(select one / piece only)
11	0230200030	Spacer	1		
11	0230200010	Spacer	1		
※16	2051500201	Governor gear compl.	1		
17	2051190103	Governor sleeve	1		
18	0230060010	Spacer	1		
19	2052230100	Connecting rod assy.	1		Incl. 21~23
20	2052310103	Oil scraper	1		
21	2052320103	Rod lock washer	1		
22	2052300113	Connecting rod bolt	2		

No.	Part No.	Part Name	Q'ty	Old part No.	Description
23	2052340103	Piston	1		
24	2052330103	Piston pin	1		
25	0565140010	Clip	2	EY18B-2113	
※	2052350107	Piston ring set	1		Incl. 26~28
29	2053340113	Intake valve	1		
30	2053350113	Exhaust valve	1		
31	2053360113	Valve spring	2		
32	2053370113	Spring retainer	2		
33	2053380103	Retainer lock	2		
34	2053330203	Tappet	2		

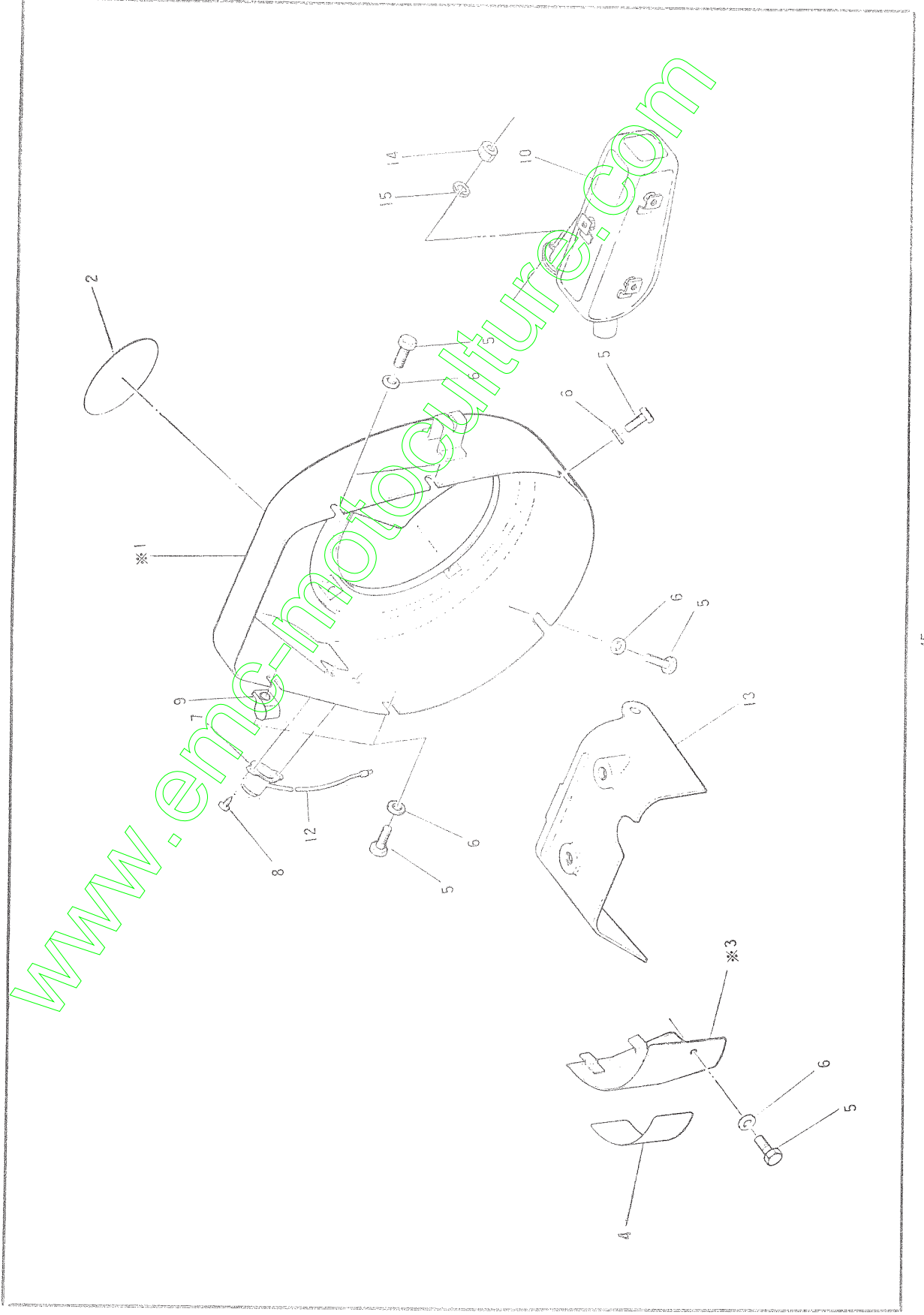


Governor (E Y 13 - 2 B T) 201 - 23

No.	Part No.	Part Name	Q'ty	Old part No.	Description
1	2054230101	Governor lever compl.	1		
2	2054220103	Governor shaft	1		
★ 3	0031305000	Clip	2		
★ 4	0021706000	Nut	1		
★ 5	0031006000	Washer	1		
6	2054250301	Governor spring	1		
7	2054330501	Speed control compl.	1		
8	0116040010	Bolt	1		
11	0016506250	Bolt	1		
★ 12	0022706000	Nut	1		
14	2054270101	Governor rod	1		
15	2054280123	Rod spring	1		
★ 16	0032006000	Spring washer	1		
17	2054600801	Pivot bolt	1		

www.mmc-motoculture.com

Blower housing Starting pulley and Muffler (E Y13 - 2BT) 201 - 24

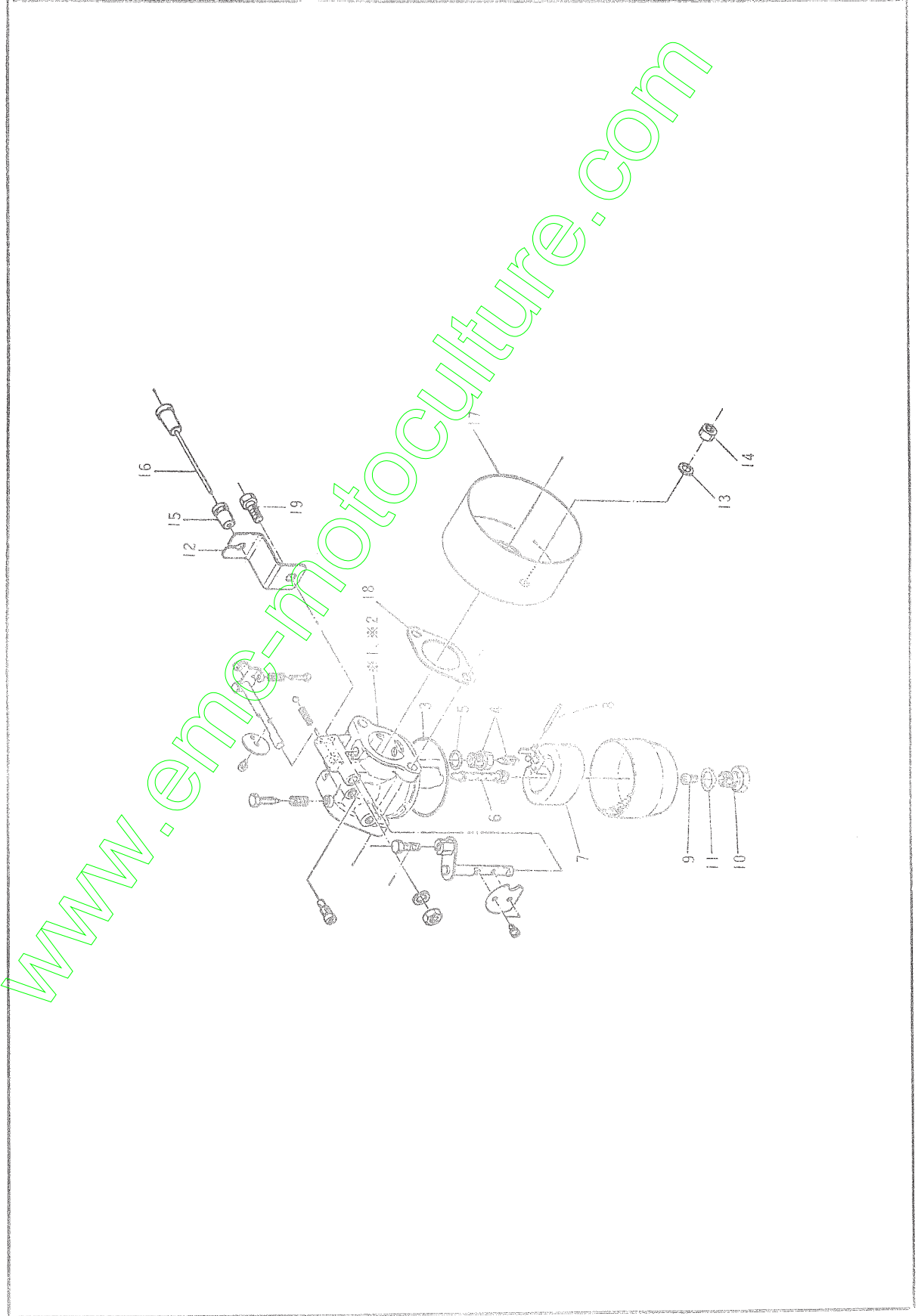




Blower housing Starting pulley and Muffler (EY13-2BT) 201-24

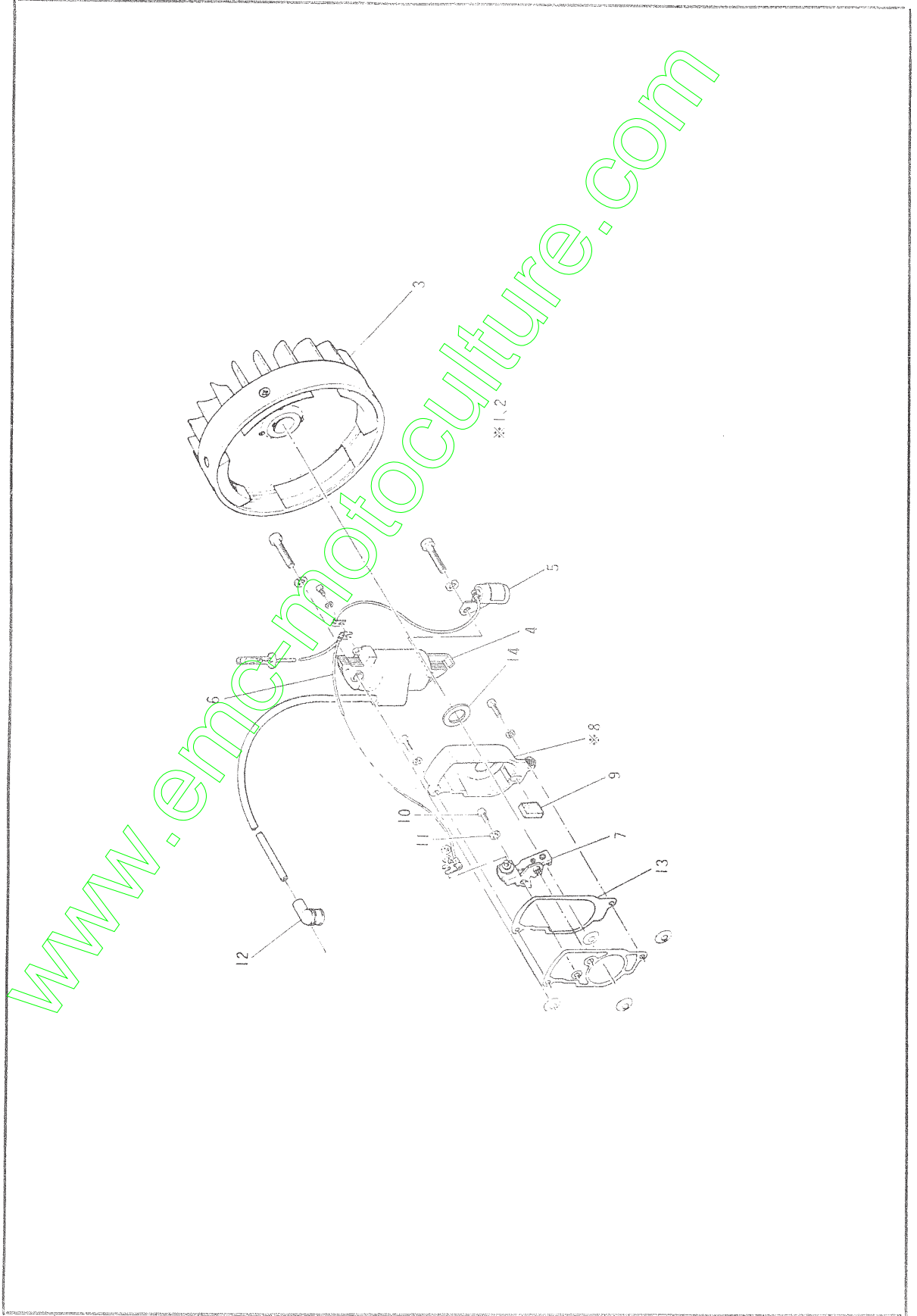
No.	Part No.	Part Name	Qty	Old part No.	Description
1	2055141001U	Blower housing compl.	1		Incl. 2
2	2059170103	Label (trade mark)	1		
3	2055271011U	Cylinder baffle compl.	1		Incl. 4
4	2059181043	Label (engine name)	1		
5	0016506120	Ball	7		
6	0031106000	Washer	7		
7	0662000010	Stop button	1	EC33E-7051	
8	0150040010	Tapping screw	2	EY18W-7103	
9	0566100021	Clamp	1		
10	2053020122	Muffler unit	1		
12	2067310101	Wire (1) compl.	1	EY18B-7011	
13	2055281001U	Head cover compl.	1		
14	0021906000	Nut	2		
15	0032006000	Spring washer	2		

Carburetor (E Y 13 - 2 B T) 201 - 25



Carburetor (EY13-2BT) 201-25

No.	Part No.	Part Name	Q'ty	Old part No.	Description
1	2056230400	Carburetor assy.	1		Incl. 2, 15, 16
2	2056230220	Carburetor assy.	1		Incl. 3 ~ 14, 17, 18
3	2066254000	Float chamber packing	1		
4	2096230300	Needle valve	1		#2.0
5	2096231200	Plunger	1		
6	2056214000	Nozzle (#14)	1		
7	2056250300	Float assy.	1		
8	2066251500	Float pin	1		
9	2056240000	Main jet (#87.5)	1		
10	2056235000	Bolt	1		
11	2056243000	Washer	1		
12	2056236200	Lever	1		
13	0032006000	Spring washer M6	2		
14	0022006000	Nut	2		
15	0241020010	Gromet	1		
16	2064390101	Nov compl.	1		
17	2053520101	Intake connector	1		
18	2053600503	Gasket (air cleaner)	1		
19	2056236100	Bolt	1		

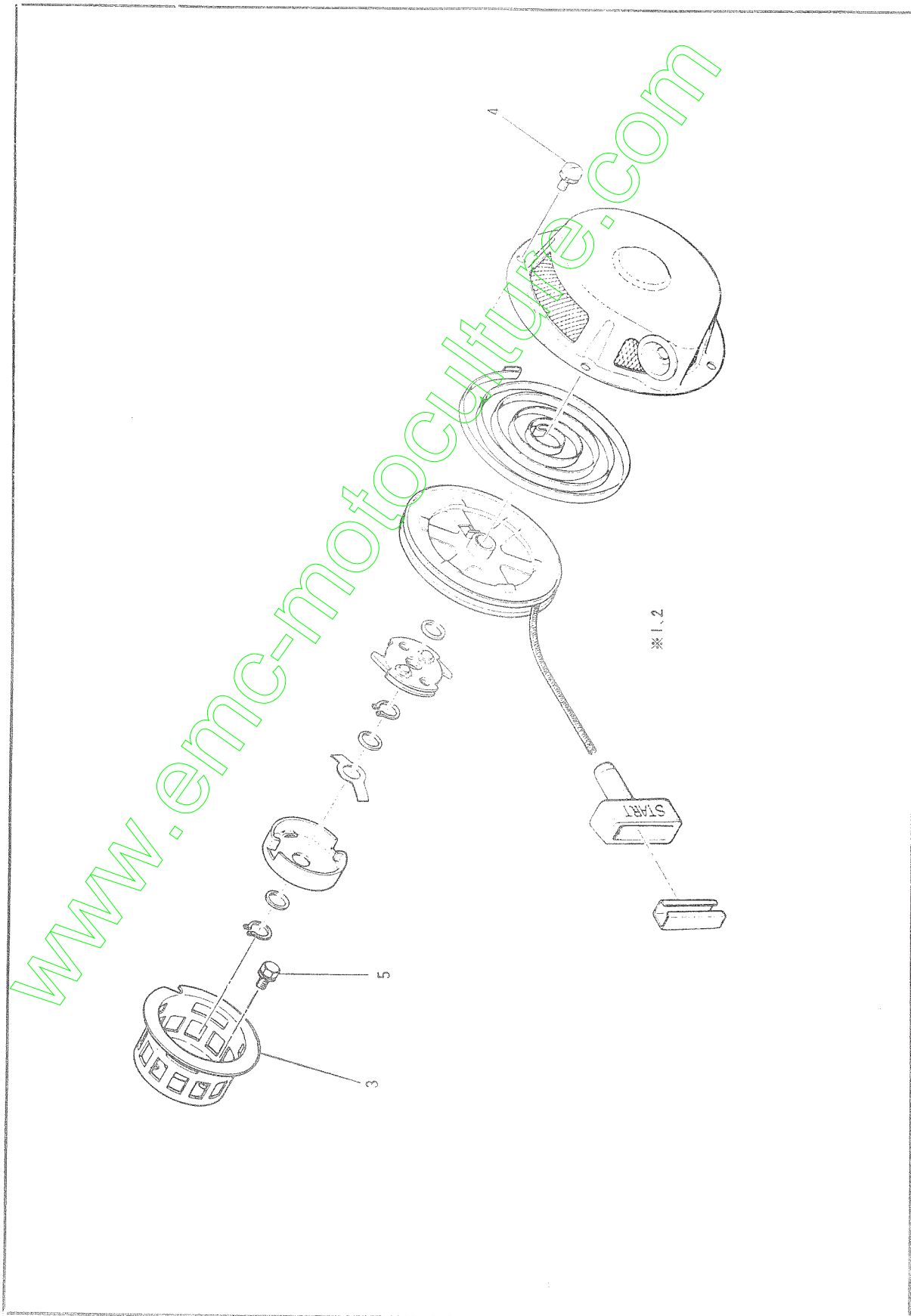


Magnet (EY13-2BT) 201-26

No.	Part No.	Part Name	Qty	Old part No.	Description
1	2057010410	Magnet (4) assy.	1		Incl.2, 13, 14
2	2057010310	Magnet (8) assy.	1		Incl.3 ~ 9
		Flywheel compl.	1		
4		Ignition coil	1		
5		Condenser compl.	1		
6		Cord compl.	1		
7		Contact-breaker	1		
8		Breaker cover	1		Incl.9
9		Oil felt	1		
10	0043604080	Screw	1		
11	0032004000	Spring washer M4	3		
12	0655000010	Spark plug cap	1		
13	2057500103	Gasket (point cover)	1		
14	2057600103	Gasket (point cover)	1		

www.emc-motoculture.com

Récoil starter (E Y 13 - 2 B T) 201 - /



Recoil starter (EY13-2BT) 201-27

No.	Part No.	Part Name	Q'ty	Old part No.	Description
※1	2055011000	Recoil starter assy.	1		Incl.※1, 3
※2	2055011001U	Recoil starter compl.	1		Incl. 3 ~ 6
3	2055420101	Starting pulley	1		
4	0043506100	Screw & washer assy.	4		
5	0011006120	Ball & washer assy.	3		

www.emc-motoculture.com

