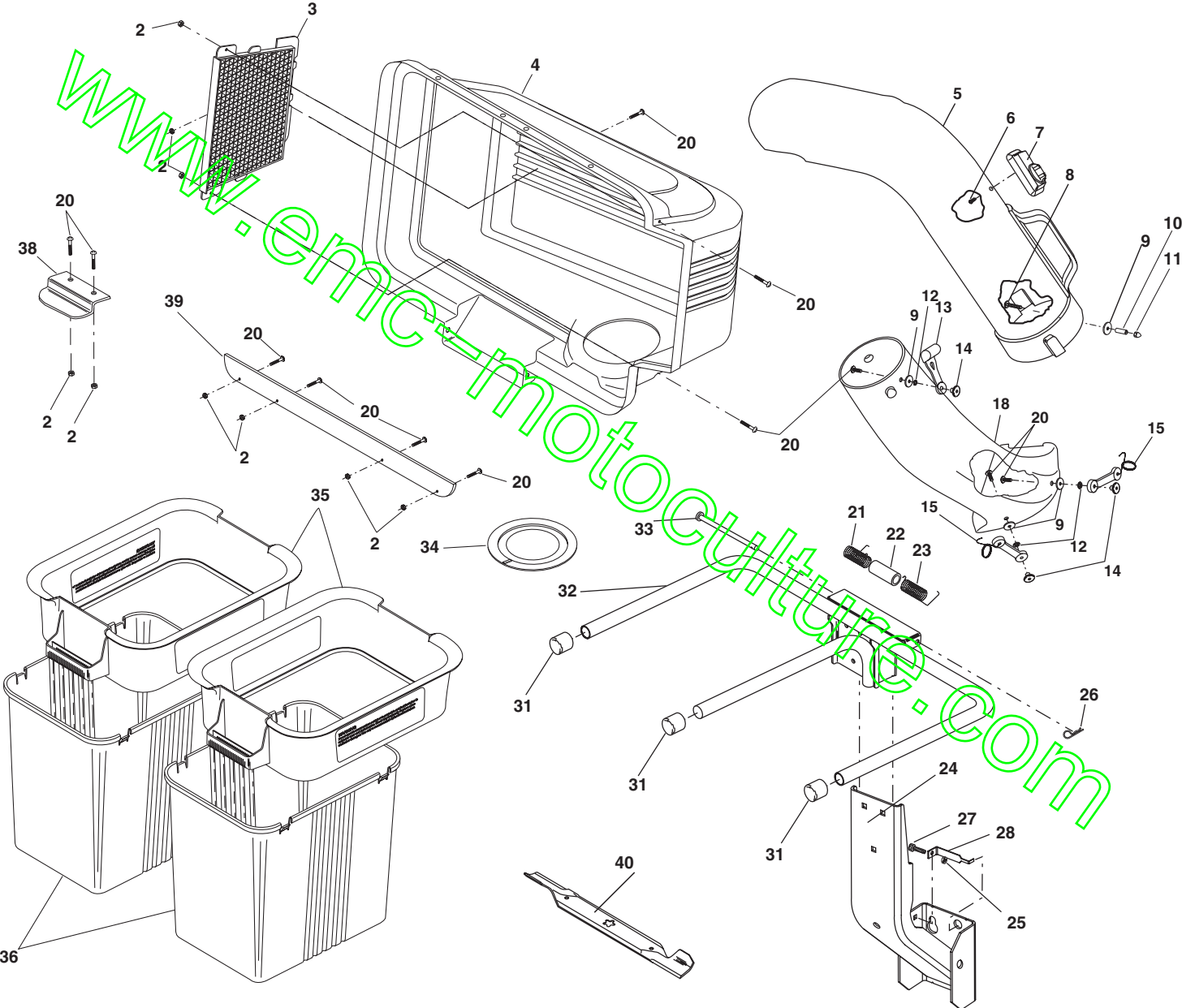


REPAIR PARTS / PIÈCES DE RECHANGE

GRASS CATCHER - NUMBER QCT97 (96072000100)

RAMASSE-HERBE - NUMÉRO QCT97 (96072000100)



REPAIR PARTS / PIÈCES DE RECHANGE

GRASS CATCHER - NUMBER QCT97 (96072000100)

RAMASSE-HERBE - NUMÉRO QCT97 (96072000100)

| KEY NO. | PART NO. | DESCRIPTION | DESCRIPTION | KEY NO. | PART NO. | DESCRIPTION | DESCRIPTION |
|---------|----------|-------------|---------------------------|---------|-----------|----------------------------|---------------------------------|
| | 2 | 532069180 | Nut, Crownlock #10-24 | 21 | 532132796 | Spring, Cover L.H. (black) | Ressort de couvercle C.G. |
| | 3 | 532127533 | Screen, Cover | 22 | 532133235 | Spacer, Cover | Entretoise de couvercle |
| | 4 | 532171061 | Cover Asm.(Incl. 3,38,39) | 23 | 532132983 | Spring, Cover R.H. (gray) | Ressort de couvercle C.D. |
| | 5 | 532126840 | Chute, Upper | 24 | 532180923 | Support Assembly | Ensemble du support |
| | 6 | 818021008 | Screw, Special | 25 | 873800400 | Locknut 1/4-20 | Écrou frein |
| | 7 | 532130933 | Full Bag Indicator | 26 | 532124670 | Spring, Retainer | Ressort de retenue |
| | 8 | 532087175 | Screw, #10-24 x 1-1/8 | 27 | 872140405 | Bolt | Boulon |
| | 9 | 819061216 | Washer 3/16x3/4x16 Ga. | 28 | 532179745 | Bracket, Stop | Support |
| 11 | 10 | 532007206 | Spacer, Split | 31 | 532174083 | Plug, Tubing End | Chapeau de l'extrémité de tuyau |
| | 11 | 532060867 | Nut, Acorn #10-24 | 32 | 532179746 | Bagger, Frame | Cadre de ramasse-herbe |
| | 12 | 810071000 | Washer, lock | 33 | 532192786 | Pin, Hinge | Goupille de charnière |
| | 13 | 532109808 | Latch, Chute | 34 | 532127534 | Gasket, Cover | Garniture de couvercle |
| | 14 | 532125004 | Nut, Weld | 35 | 532183286 | Container, Top | Conteneur supérieur |
| | 15 | 532160793 | Latch Assembly, Hook | 36 | 532129586 | Container, Bottom | Conteneur inférieur |
| | 18 | 532192574 | Chute, Lower | 38 | 532130895 | Latch Handle, Cover | Poignée de loquet de couvercle |
| | 20 | 871081010 | Screw #10-24 x 5/8 | 39 | 532155042 | Strip, Reinforcement | Bande |
| | | | | 40 | 532138497 | Blade, High Lift | Lame |
| | | | | — | 532194234 | Owner's Manual | Manuel du propriétaire |