

**SPARE PARTS CATALOGUE**

**RIDERS: HUSQVARNA 214C**

[www.emc-motoculture.com](http://www.emc-motoculture.com)

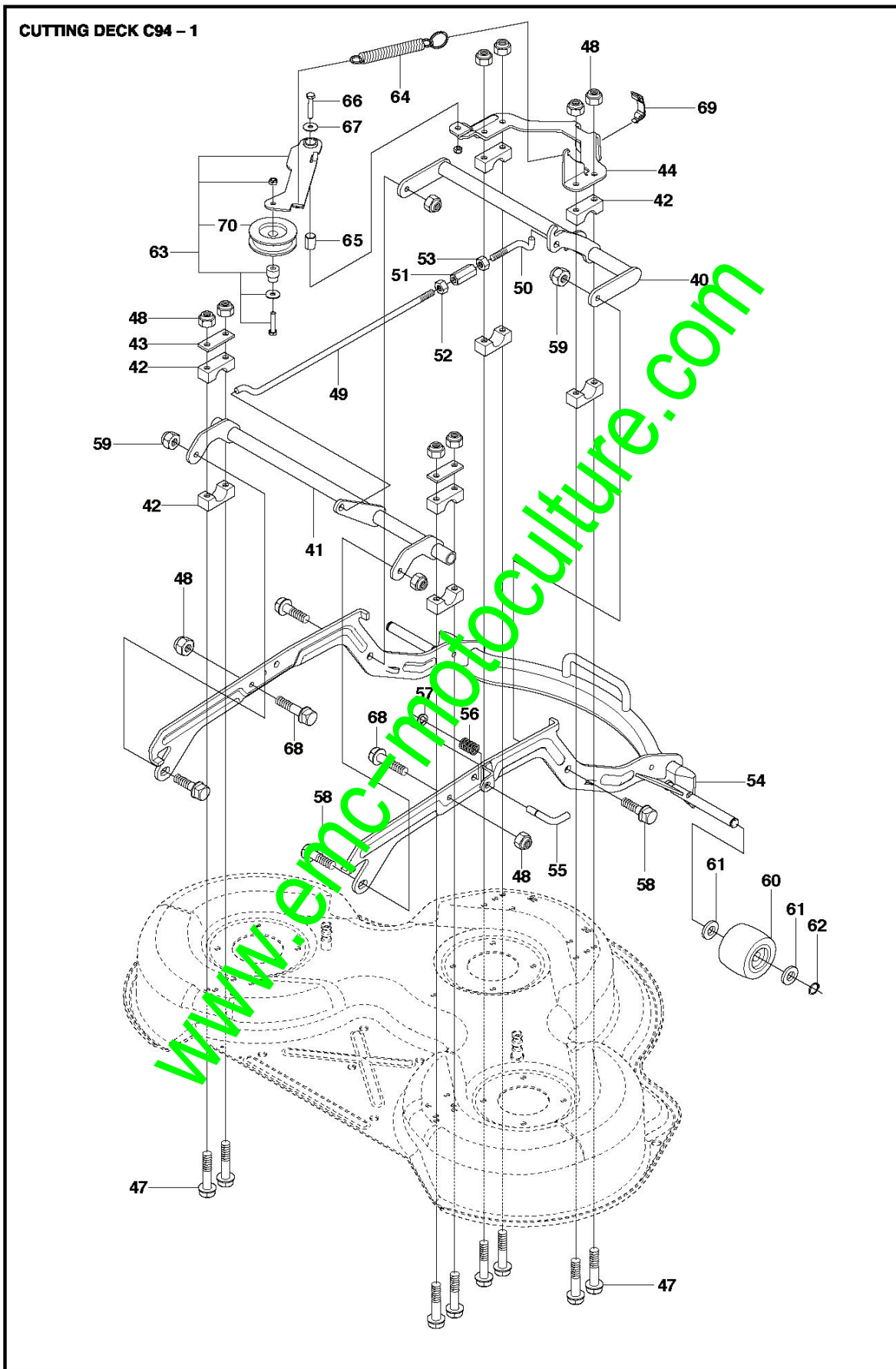
Spare Parts List

# SPARE PARTS LIST

RIDERS

HUSQVARNA 214C

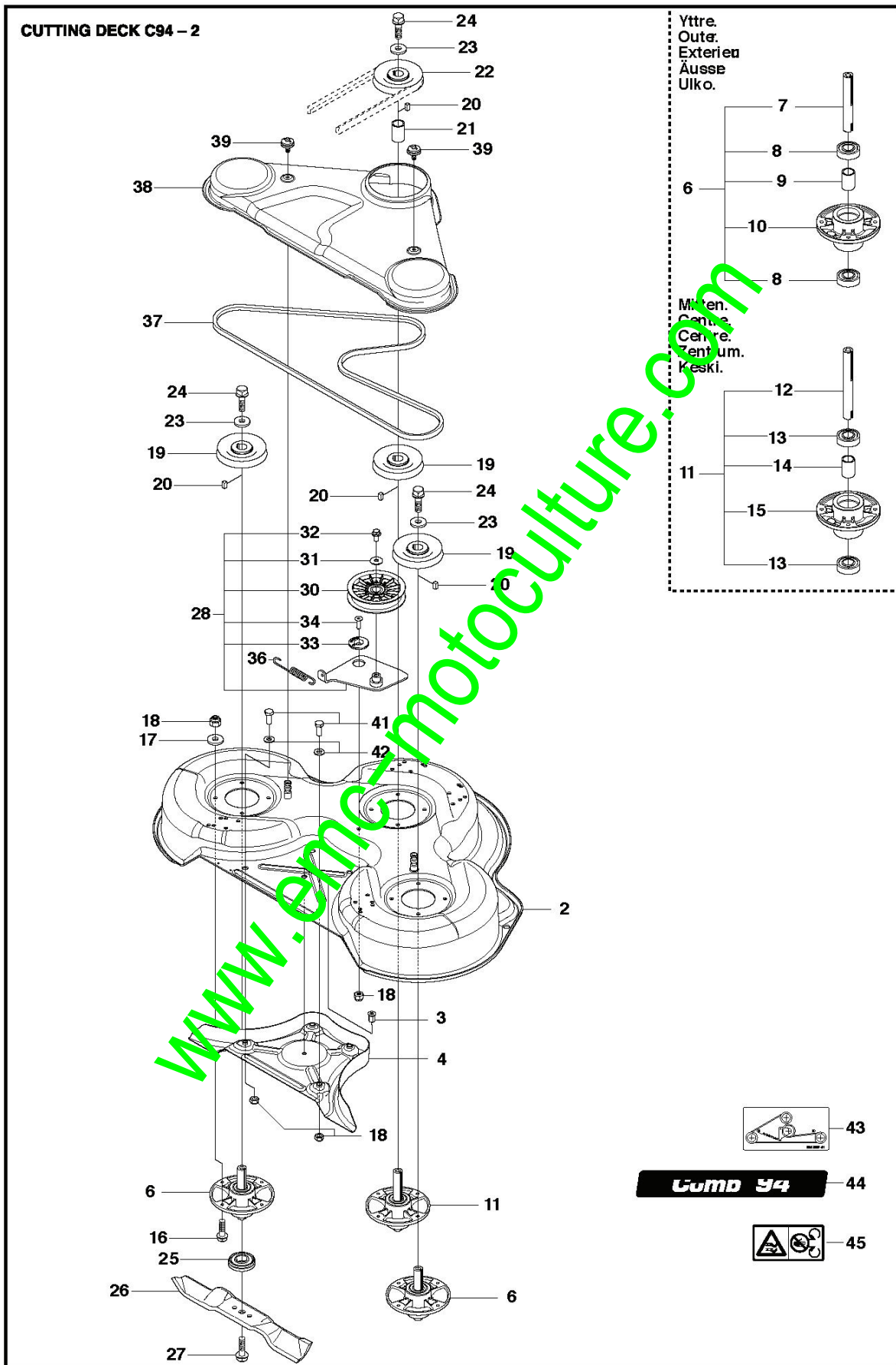
[www.emc-motoculture.com](http://www.emc-motoculture.com)



RIDERS

PXM_REF	PXM_PARTNO	DESCRIPTION	PXM_REMARK	QTY.
40	544220701	CROSS BAR		1
41	584952001	CROSSBAR		1
42	506869601	BEARING		8
43	506813801	REINFORCING PLATE		2
44	578856101	BRACKET		1
47	725246151	SCREW EHHM		8
48	732211801	LOCK NUT		1
49	544226901	PARALLEL ROD		2
50	544451401	PARALLEL ROD		1
51	544451501	ADJUSTMENT ROD		1
52	506897601	NUT		1
53	731232001	HEXAGON NUT		1
54	578177801	DECK ATTACHMENT		2
55	544213901	LOCKING PIN		1
56	544214101	SPRING		1
57	735311320	E-CLIP		12
58	506597401	SCREW EHHFM		4
59	732211801	LOCK NUT		12
60	506963001	WHEEL ASSY		3
61	535464101	WASHER		4
62	735311700	CIRCLIP		1
63	587415201	BELT TENSIONER ASSY		1
64	506976801	SPRING		3
65	506992001	PIPE		3
66	725246051	SCREW EHHM		3
67	734116441	WASHER		3
68	544362401	SCREW		3
69	588462803	SNAP LOCKING		1
70	588234701	PULLEY		1

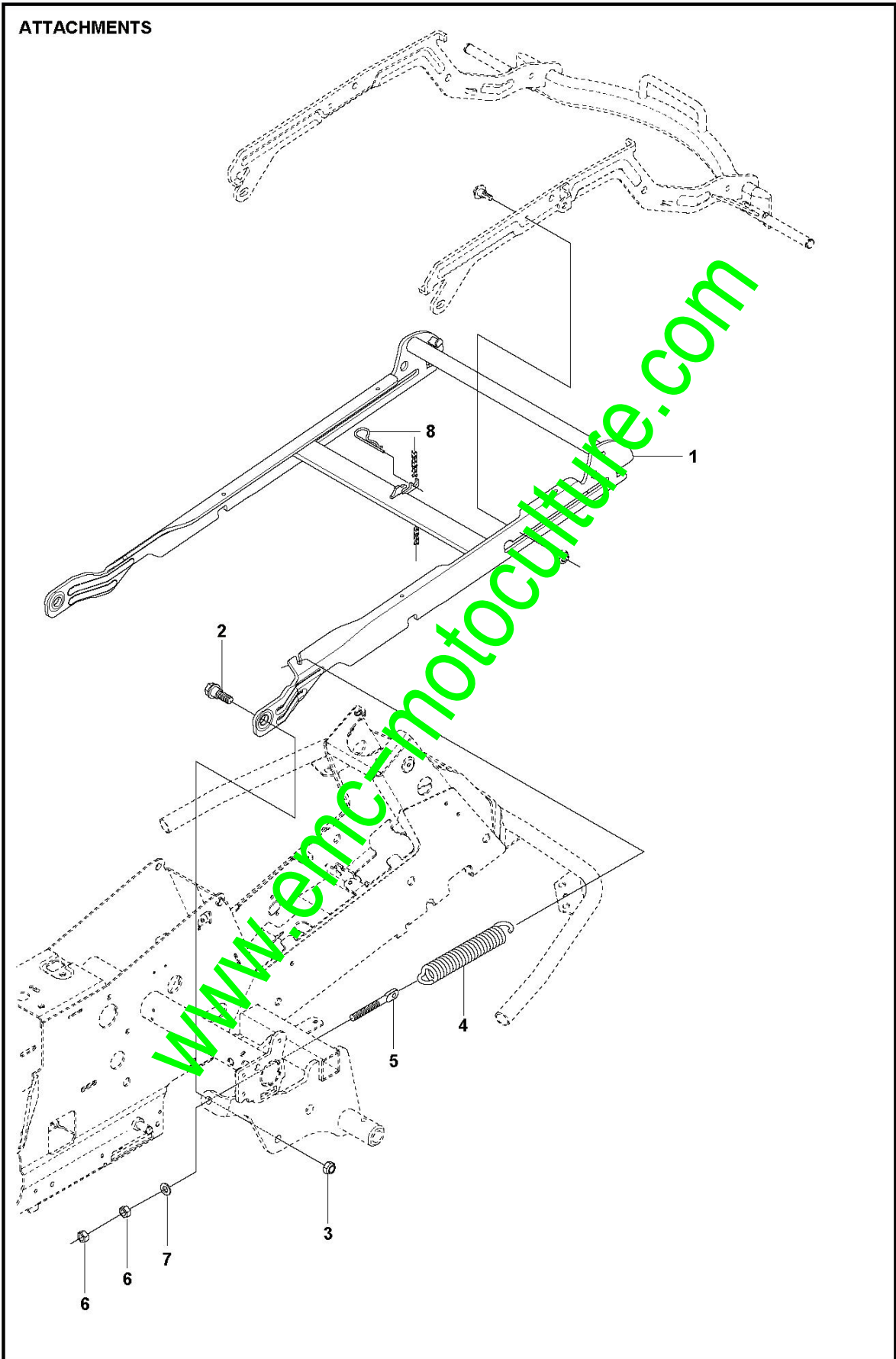
www.emc-motoculture.com



RIDERS

PXM_REF	PXM_PARTNO	DESCRIPTION	PXM_REMARK	QTY.	
2	581237407	DECK SHELL ASSY		1	1
3	506916201	NUT		1	1
4	544065801	PLUG		1	1
6	576384102	BLADE HOUSING ASSY		2	
7	576384302	SHAFT		1	6
8	738230434	BALL BEARING		2	6
9	576384401	SPACING SLEEVE		1	6
10	576384201	BEARING HOUSING		1	6
11	576384103	BLADE HOUSING ASSY		1	
12	576384303	SHAFT		1	11
13	738230434	BALL BEARING		2	11
14	576384401	SPACING SLEEVE		1	11
15	576384201	BEARING HOUSING		1	11
16	535423801	SCREW RSQM		12	
17	734116401	WASHER		12	
18	732211801	LOCK NUT		15	1
19	506922101	PULLEY		3	
20	506533501	PARALLEL KEY		4	
21	544068003	SPACING SLEEVE		1	
22	506778601	PULLEY		1	
23	734117441	WASHER		3	
24	506675402	SCREW EHHFM		3	
25	544064901	BLADE HOLDER		3	
26	579652510	BLADE		3	
27	506675402	SCREW EHHFM		3	
28	580794101	BELT TENSIONER ASSY		1	
30	581864601	BELT TENSIONER WHEEL		1	28
31	734116441	WASHER		1	28
32	506558302	SCREW EHHFT		1	28
33	586496701	WASHER		1	
34	725645301	SCREW IHCSFM		1	
36	506533101	SPRING		1	
37	589530701	BELT		1	
38	522821903	BELT COVER		1	
39	544400501	SCREW		2	
41	725245171	SCREW EHHM		3	1
42	734116401	WASHER		3	1
43	506789701	LABEL		1	
44	544238101	LABEL		1	
45	574510001	DECAL		1	

www.emc-motoculture.com



## RIDERS

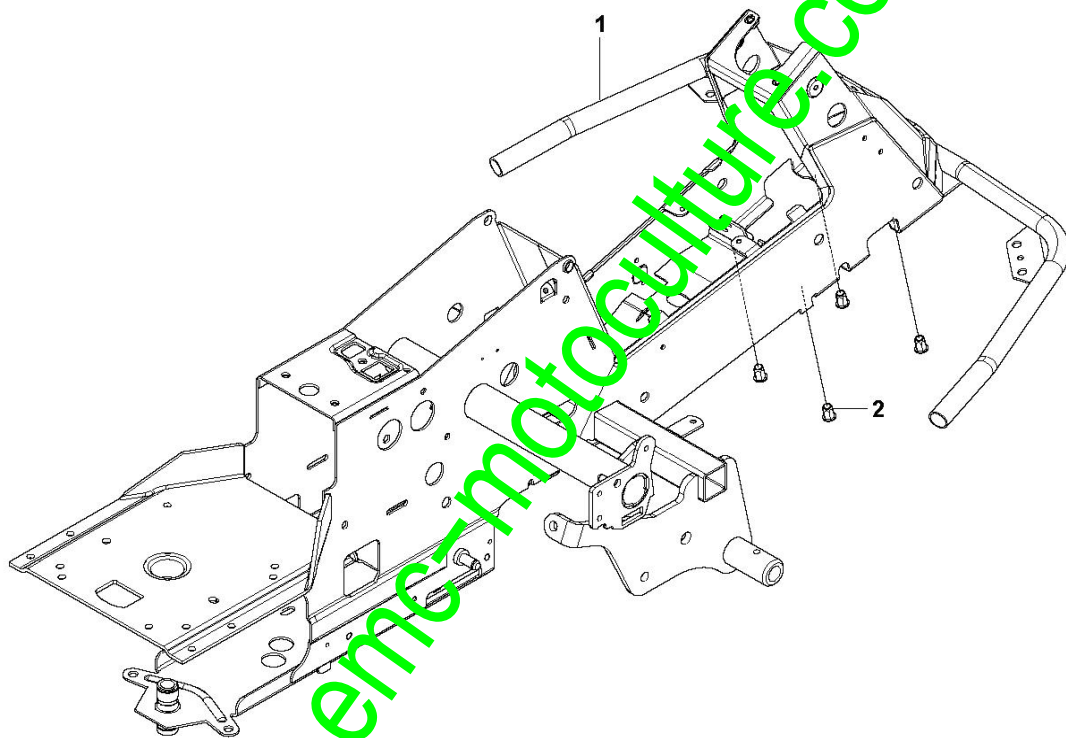
---

PXM_REF	PXM_PARTNO	DESCRIPTION	PXM_REMARK	QTY.
1	578177401	EQUIPMENT FRAME		1
2	506895801	COLLAR SCREW		2
3	732252201	HEXAGON LOCKING NUT		2
4	506837601	SPRING		2
5	506837701	RING BOLT		2
6	731232051	HEXAGON NUT		4
7	734117201	WASHER		2
8	721680251	SPRING COTTER		1

[www.emc-motoculture.com](http://www.emc-motoculture.com)



CHASSIS



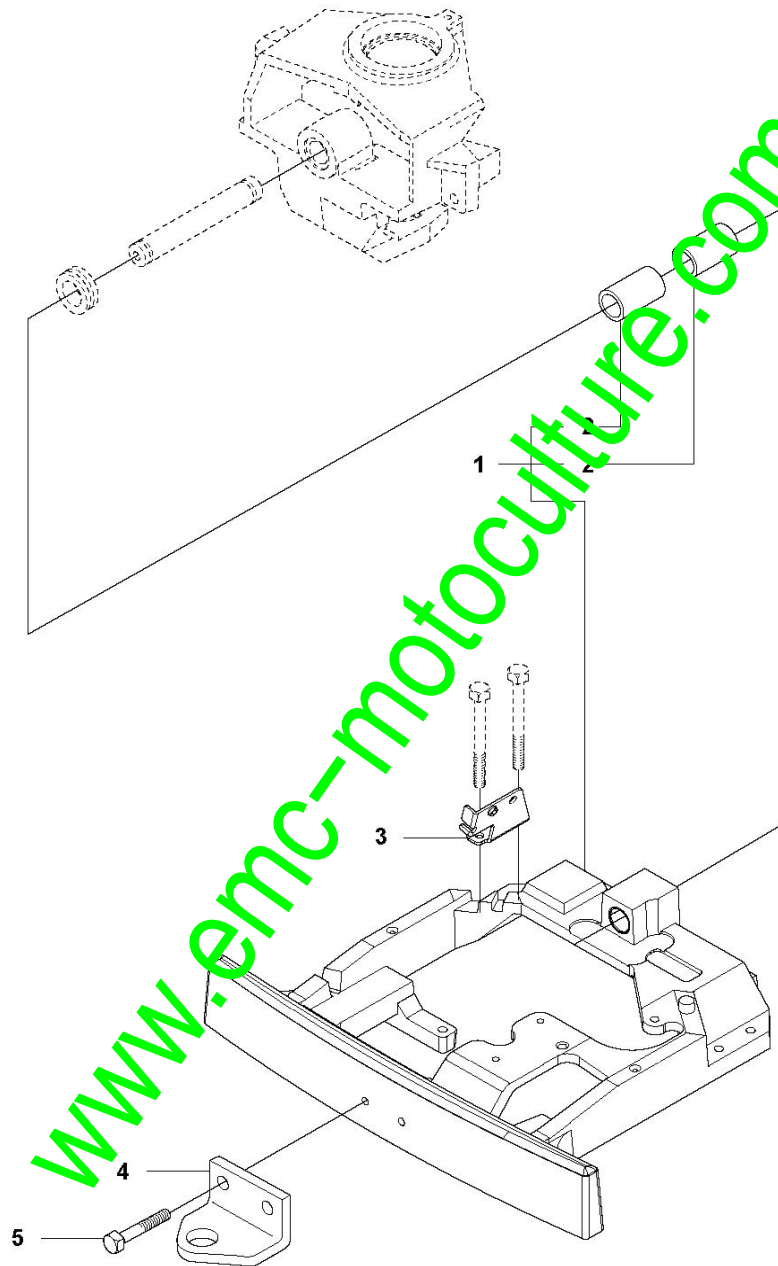
RIDERS

---

PXM_REF	PXM_PARTNO	DESCRIPTION	PXM_REMARK	QTY.
1	594921402	CHASSIS		1
2	506916201	NUT		4

[www.emc-motoculture.com](http://www.emc-motoculture.com)

CHASSIS, REAR - 1



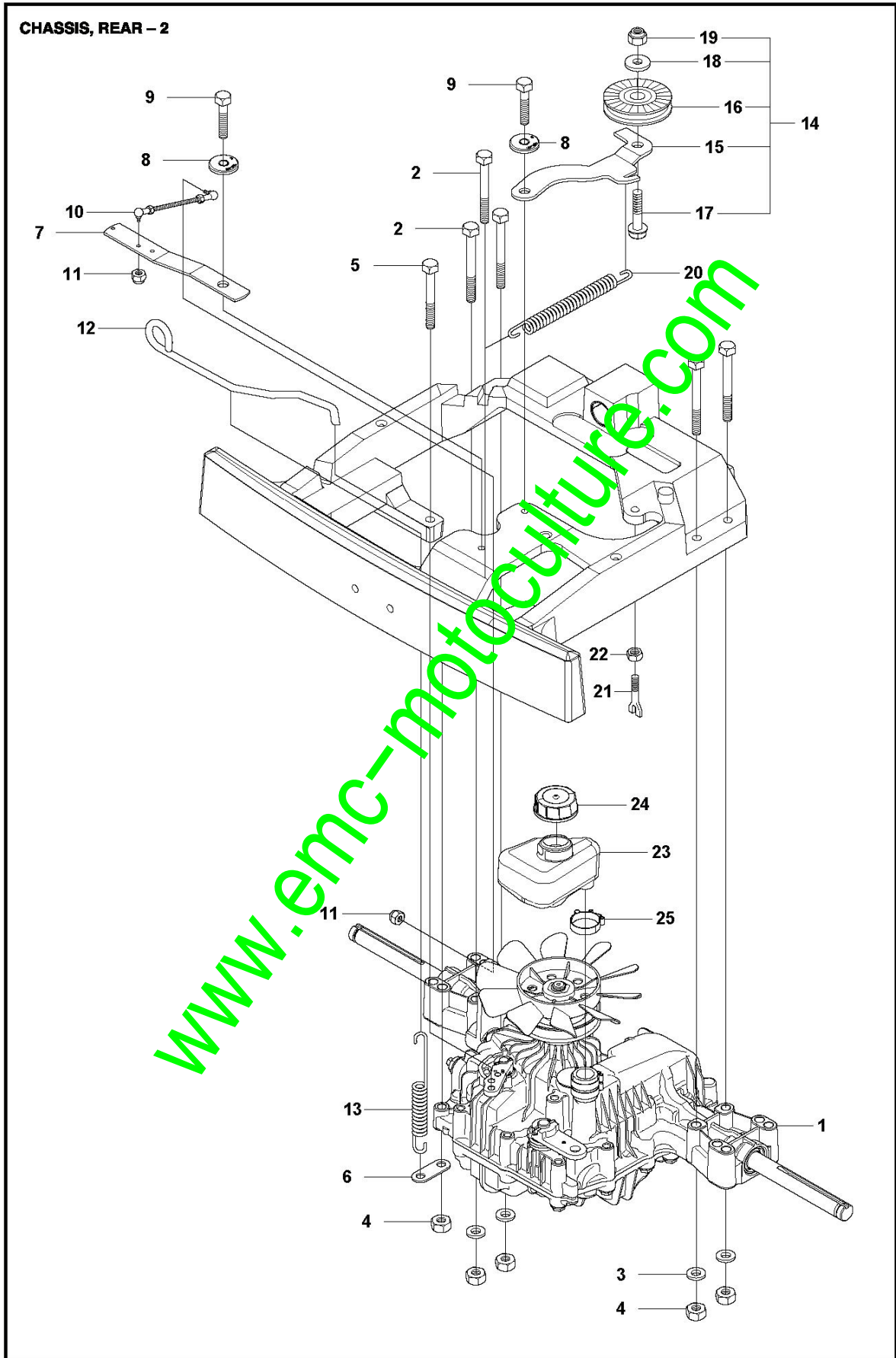
RIDERS

---

PXM_REF	PXM_PARTNO	DESCRIPTION	PXM_REMARK	QTY.
1	582244601	BRACKET		1
2	506986102	GLIDLAGER		2 1
3	506987701	BRACKET		1
4	506889901	HITCH		1
5	725249371	SCREW EHHM		2

[www.emc-motoculture.com](http://www.emc-motoculture.com)

CHASSIS, REAR - 2

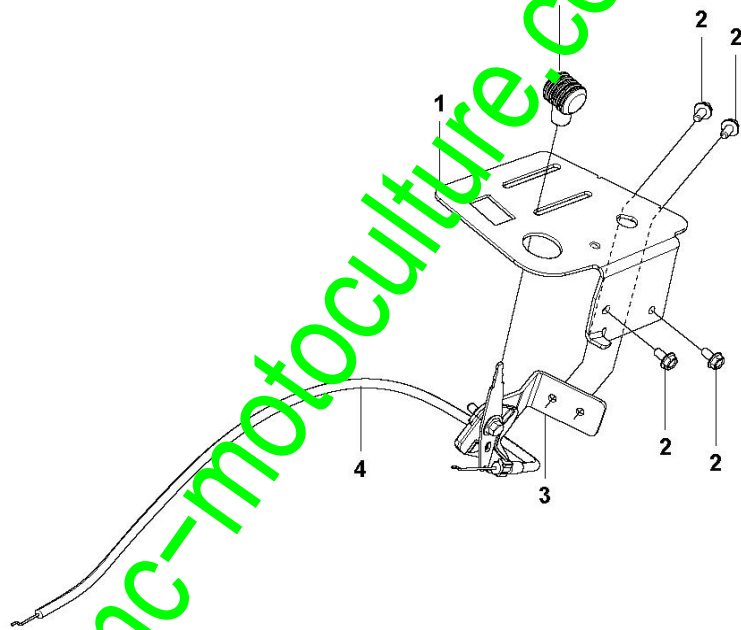


RIDERS

PXM_REF	PXM_PARTNO	DESCRIPTION	PXM_REMARK	QTY.
1	506986301	TRANSMISSION		1
2	725246751	SCREW EHHM		5
3	734116401	WASHER		4
4	731231801	HEXAGON NUT		5
5	725246251	SCREW EHHM		1
6	506599301	LINK		1
7	579596801	LEVER		1
8	584288604	WASHER		2
9	725245171	SCREW EHHM		2
10	506987501	ADJUSTMENT ROD		1
11	732211401	LOCK NUT		2
12	506988201	FRIKOPPLINGSSTÅNG		1
13	506834301	SPRING		1
14	506988401	BELT TENSIONER ASSY		1
15	588740401	BELT TENSIONER		1 14
16	506946901	PULLEY		1 14
17	725245571	SCREW EHHM		1 14
18	734116441	WASHER		1 14
19	732211801	LOCK NUT		1 14
20	506988601	SPRING		1
21	506988801	PENDULUM		1
22	731232001	HEXAGON NUT		1
23	506989001	EXPANSION TANK		1
24	590324701	TANK CAP ASSY		1
25	505131102	HOSE CLAMP		1

[www.emc-motoculture.com](http://www.emc-motoculture.com)

CONTROL UNIT



## RIDERS

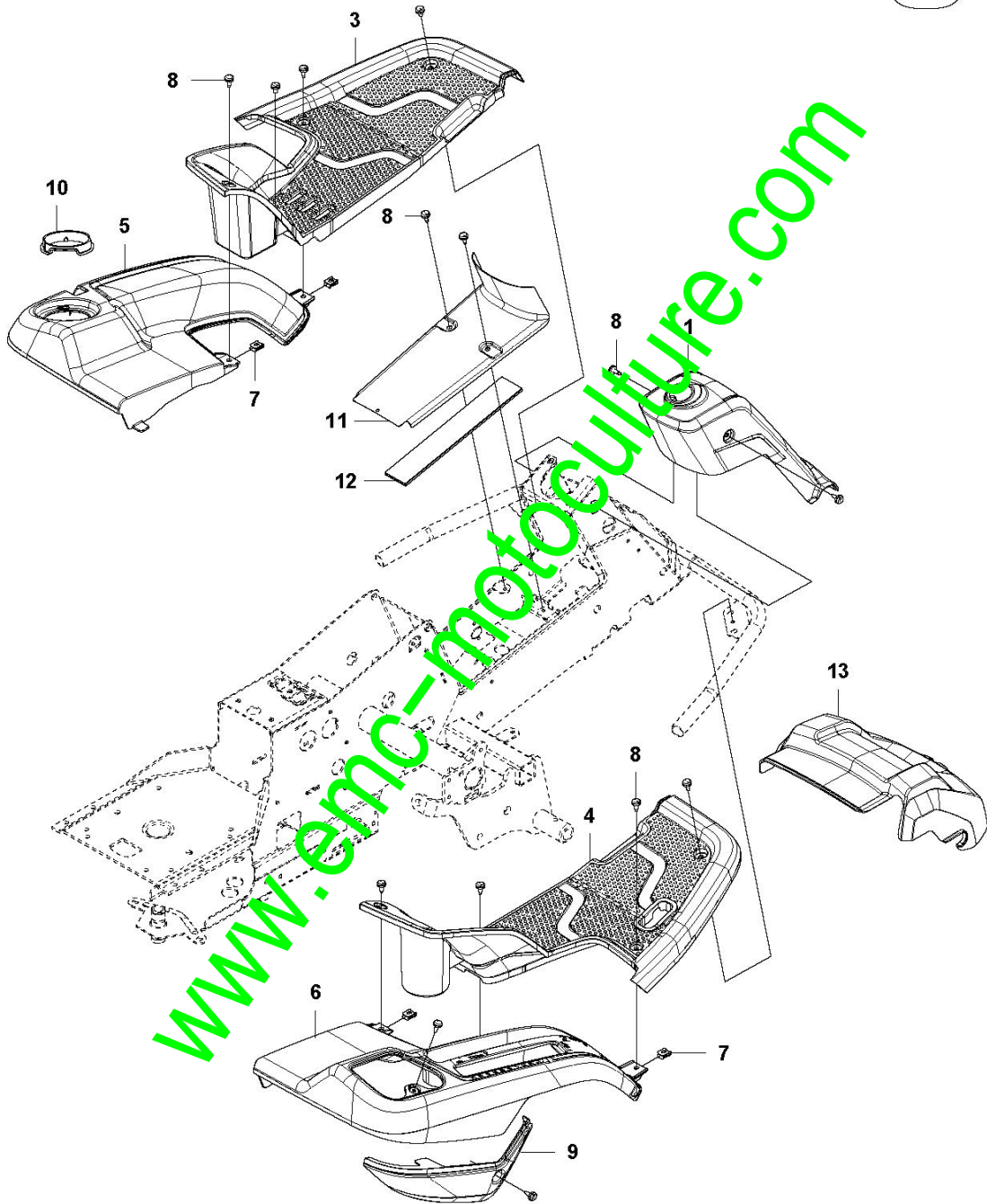
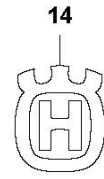
---

PXM_REF	PXM_PARTNO	DESCRIPTION	PXM_REMARK	QTY.
1	578033101	SUPPORT		1
2	535475212	SCREW EHHFM		4
3	578023501	THROTTLE CONTROL		1
4	544301701	WIRE		1
5	506889101	KNOB		1

[www.emc-motoculture.com](http://www.emc-motoculture.com)



COVER - 2



RIDERS

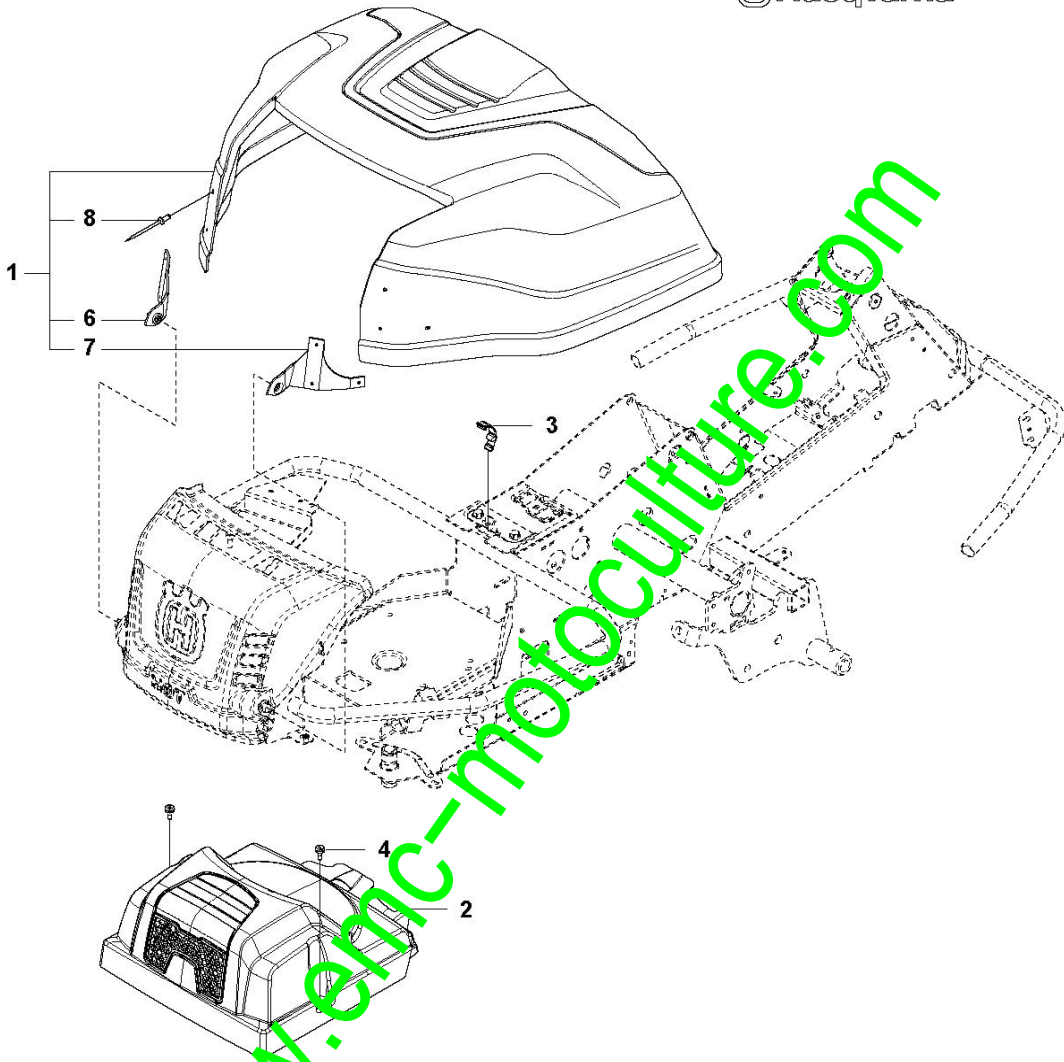
---

PXM_REF	PXM_PARTNO	DESCRIPTION	PXM_REMARK	QTY.
1	577615801	COVER		1
3	577729301	FOOT PLATE		1
4	577729401	FOOT PLATE		1
5	577729501	FENDER		1
6	577729601	FENDER		1
7	535429101	SPRING NUT		4
8	544400501	SCREW		14
9	577737501	CONTROL COVER		1
10	577764501	LOCK NUT		1
11	544239201	COVER		1
12	584260101	MAT		1
13	578776301	UNIT COVER		1
14	576973401	DECAL		1

[www.emc-motoculture.com](http://www.emc-motoculture.com)

COVER - 1

5  
Husqvarna



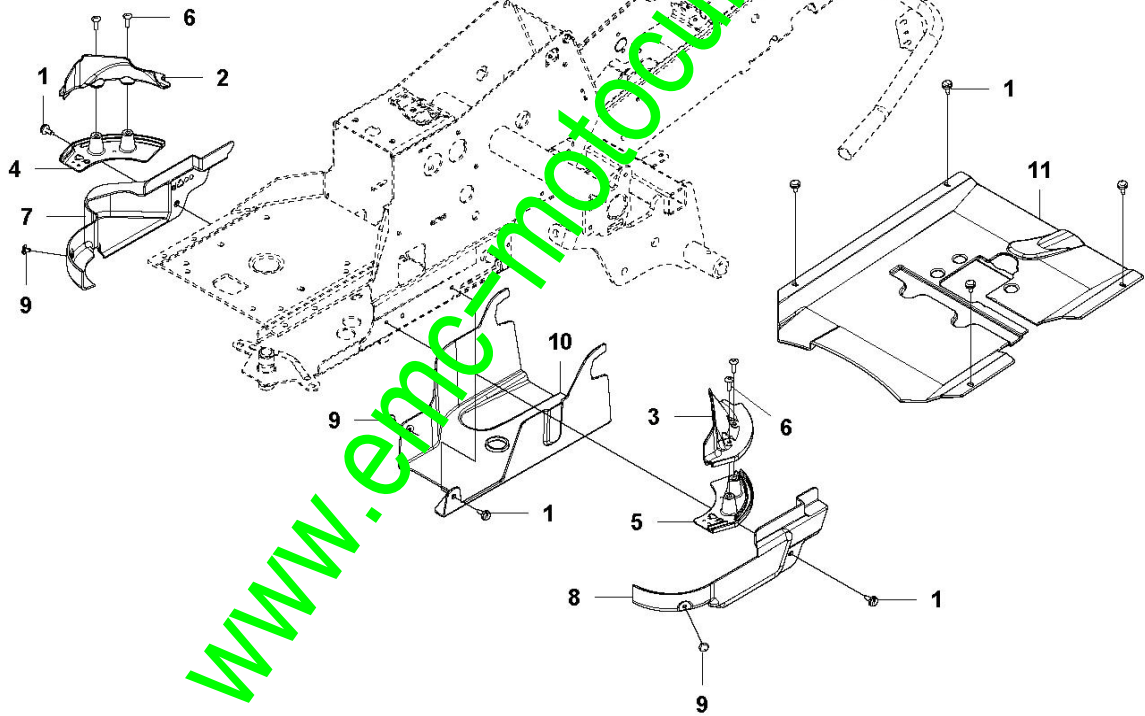
# RIDERS

---

PXM_REF	PXM_PARTNO	DESCRIPTION	PXM_REMARK	QTY.
1	577614902	ENGINE HOOD ASSY		1
2	578261304	TRANSMISSION COVER		1
3	588462803	SNAP LOCKING		1
4	574856201	SCREW		2
5	577062001	DECAL		2 1
6	578116501	HINGE		1
7	578116502	HINGE		1
8	722795402	RIVET		6

[www.emc-motoculture.com](http://www.emc-motoculture.com)

COVER - 3



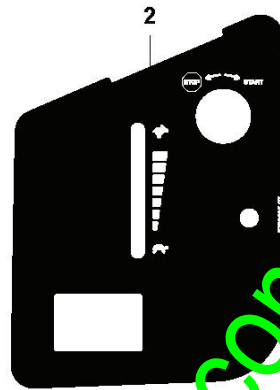
RIDERS

---

PXM_REF	PXM_PARTNO	DESCRIPTION	PXM_REMARK	QTY.
1	544400501	SCREW		7
2	510222501	BELT COVER		1
3	510222502	BELT COVER		1
4	510222701	BELT COVER		1
5	510222702	BELT COVER		1
6	535425802	SCREW IHANM		4
7	510222303	BELT COVER		1
8	510222401	BELT COVER		1
9	522557301	SCREW		3
10	510442001	BELT COVER		1
11	510436203	BELT COVER		1

[www.emc-motoculture.com](http://www.emc-motoculture.com)

DECALS



www.emc-motoculture.com

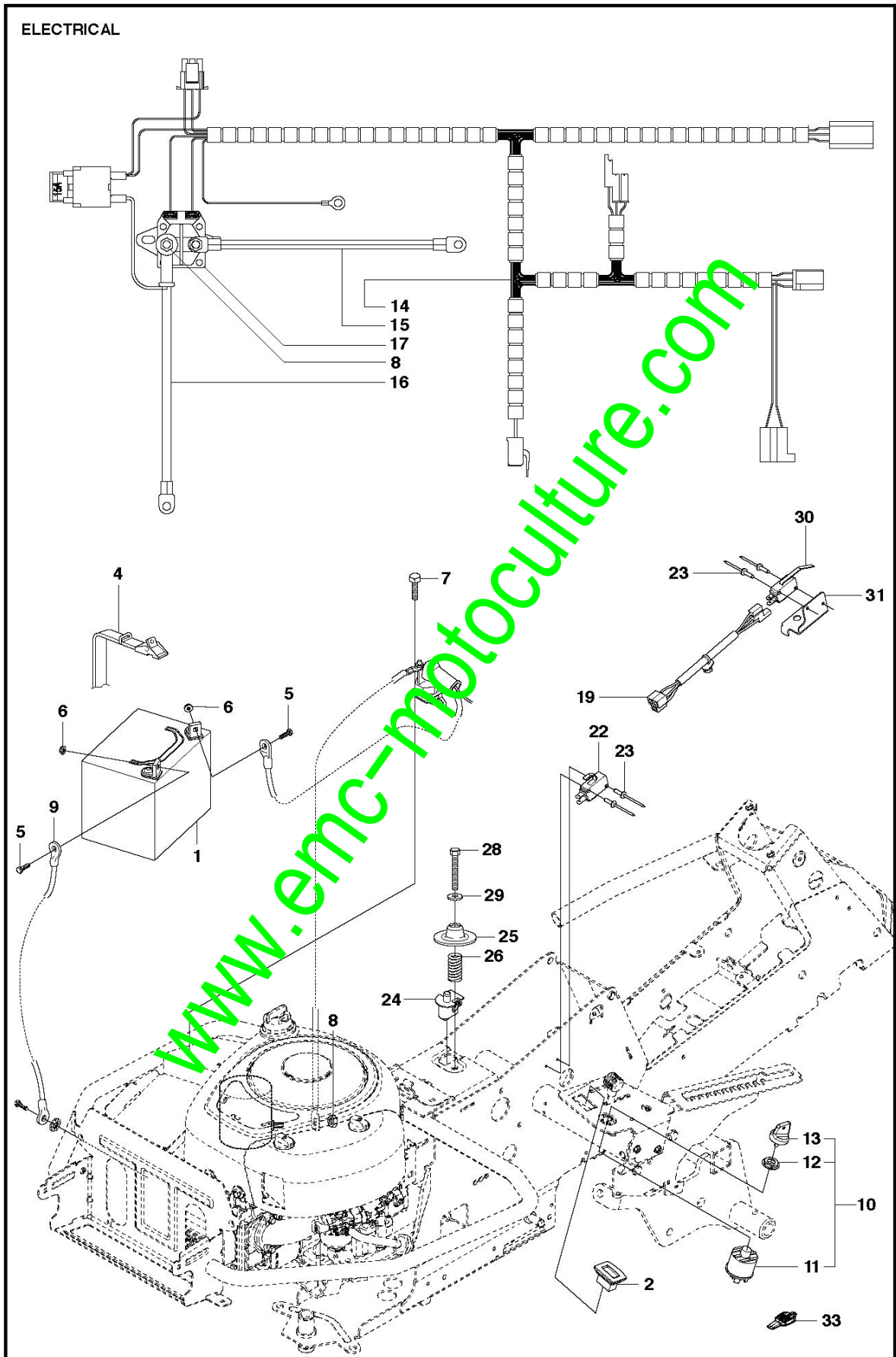
# RIDERS

---

PXM_REF	PXM_PARTNO	DESCRIPTION	PXM_REMARK	QTY.
1	578364519	DECAL		2
2	578392507	DECAL		1
3	544211401	LABEL		2
4	582570001	LABEL		1
5	579556501	DECAL		1
6	581784006	LABEL		1
7	577062001	DECAL		2
8	576973401	DECAL		1

[www.emc-motoculture.com](http://www.emc-motoculture.com)



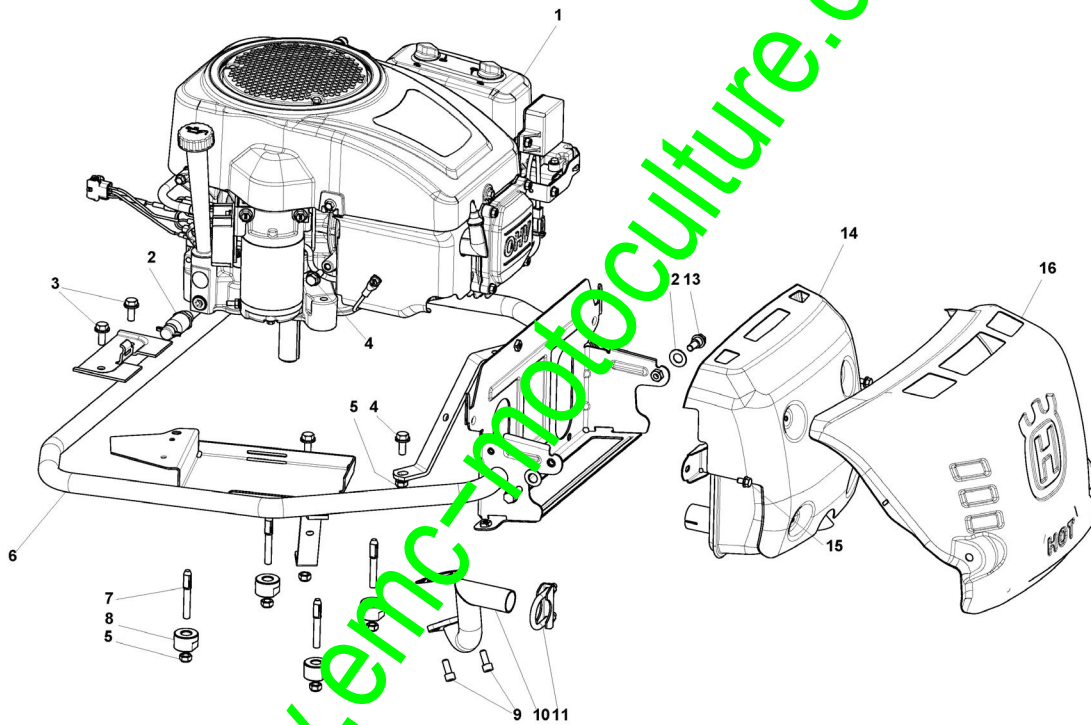


RIDERS

PXM_REF	PXM_PARTNO	DESCRIPTION	PXM_REMARK	QTY.
1	577041601	BATTERY		1
2	587764301	HOUR METER		1
4	506836802	BELT		1
5	522622101	SCREW EHHM		2
6	522624301	NUT		2
7	725236461	SCREW EHHFT		1
8	506899801	NUT		3
9	576183801	CABLE		1
10	544442101	IGNITION SWITCH		1
11	544442201	IGNITION SWITCH		1 10
12	544442301	NUT		1 10
13	544442401	IGNITION KEY		1 10
14	578338301	WIRING		1
15	576183901	CABLE		1
16	586223901	WIRE		1
17	544439801	RELAY		1
19	576185401	WIRING		1
22	574316101	SWITCH		1
23	544440701	RIVET		4
24	506909601	SWITCH		1
25	506909701	SPRING WASHER		1
26	544441201	SPRING		1
28	725246451	SCREW EHHM		1
29	734116401	WASHER		1
30	574316101	SWITCH		1
31	544415701	BRACKET		1
33	586379401	LEVER		1

[www.emc-motoculture.com](http://www.emc-motoculture.com)

R 214C  
ENGINE



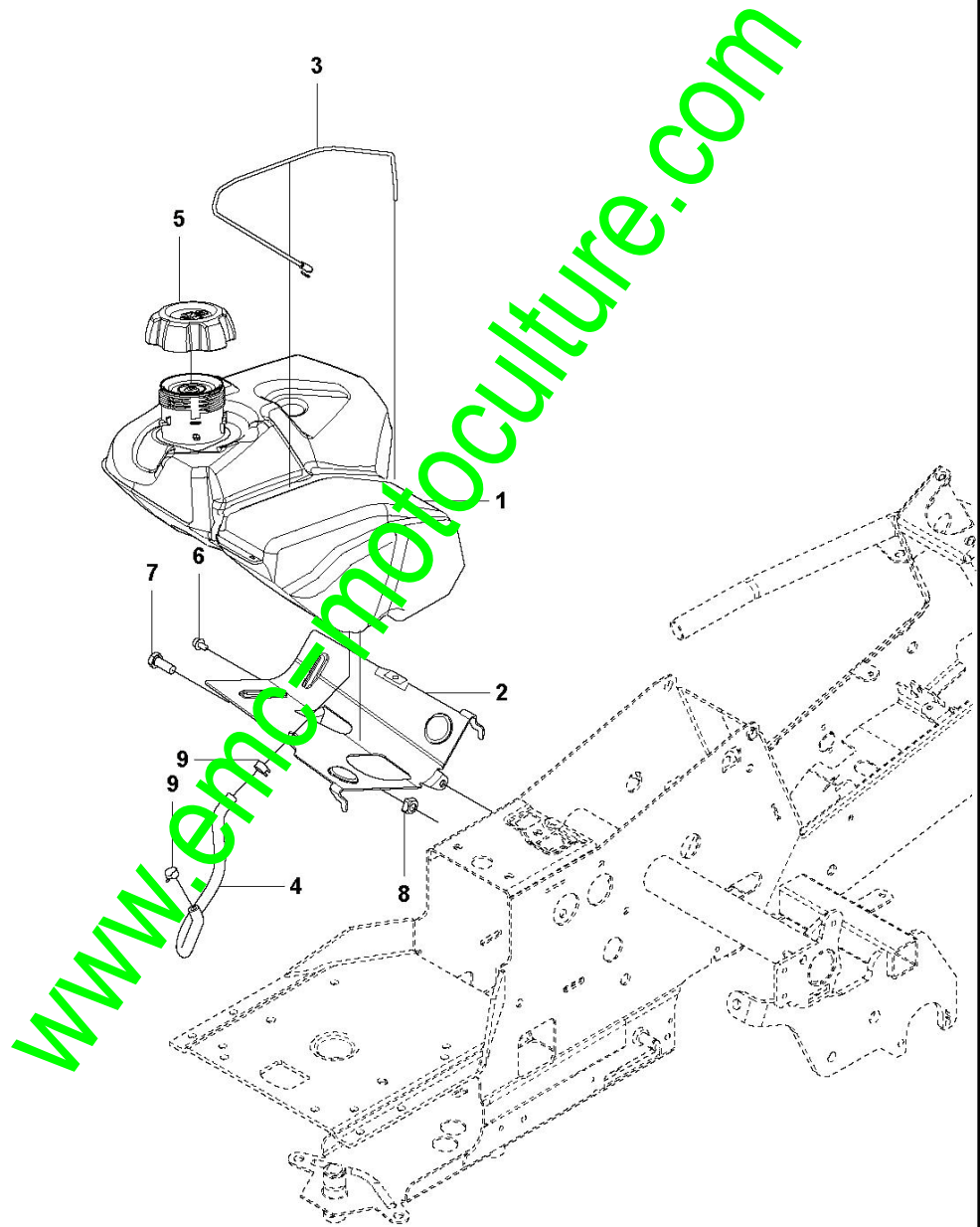
# RIDERS

---

PXM_REF	PXM_PARTNO	DESCRIPTION	PXM_REMARK	QTY.
1	529666002	ENGINE	HS 413AE	1
2	532428287	PLUG		1
3	506570104	SCREW EHHFM		5
4	732211801	LOCK NUT		6
5	577972603	ENGINE FRAME		1
6	578207502	STUD SCREW		4
7	529344601	SPACER		4
8	599349045	GASKET		1
9	506556301	SCREW UNC		2
10	529361601	EXHAUST PIPE		1
11	501152201	CLAMP ASSY		1
12	506839401	SPRING WASHER		2
13	506597401	SCREW EHHFM		2
14	577813601	MUFFLER		1
15	725236461	SCREW EHHFT		2
16	577818502	HEAT SHIELD		1

[www.emc-motoculture.com](http://www.emc-motoculture.com)

FUEL SYSTEM



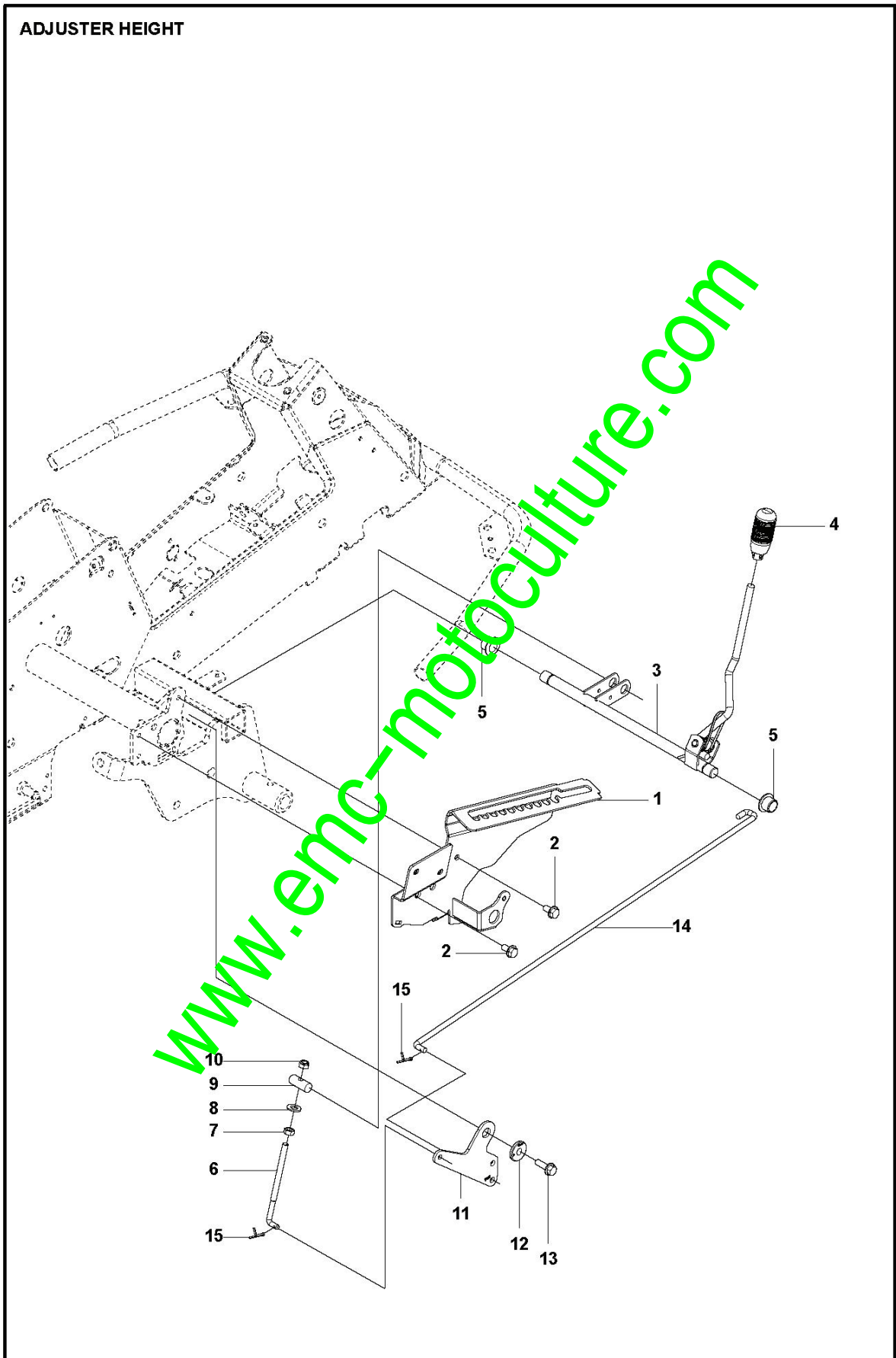
## RIDERS

---

PXM_REF	PXM_PARTNO	DESCRIPTION	PXM_REMARK	QTY.
1	577915001	FUEL TANK		1
2	578053801	BRACKET		1
3	578261501	WIRE		1
4	504800010	FUEL HOSE		1
5	584248702	FUEL CAP		1
6	725236461	SCREW EHHFT		1
7	725249371	SCREW EHHM		1
8	732211601	LOCK NUT		1
9	535469701	HOSE BRACE		2

[www.emc-motoculture.com](http://www.emc-motoculture.com)

ADJUSTER HEIGHT



# RIDERS

---

PXM_REF	PXM_PARTNO	DESCRIPTION	PXM_REMARK	QTY.
1	594701302	BRACKET		1
2	506570103	SCREW EHHFM		2
3	577999901	ADJUSTER		1
4	588164101	HANDLE		1
5	584871302	BEARING		2
6	506908201	HEIGHT ROD		1
7	731231801	HEXAGON NUT		1
8	734117201	WASHER		1
9	506784601	PEN		1
10	732211801	LOCK NUT		1
11	578040701	LINK		1
12	584288604	WASHER		1
13	506570105	SCREW EHHFM		1
14	544227001	CONNECTION ROD		1
15	721618301	SPLIT PIN		2

[www.emc-motoculture.com](http://www.emc-motoculture.com)

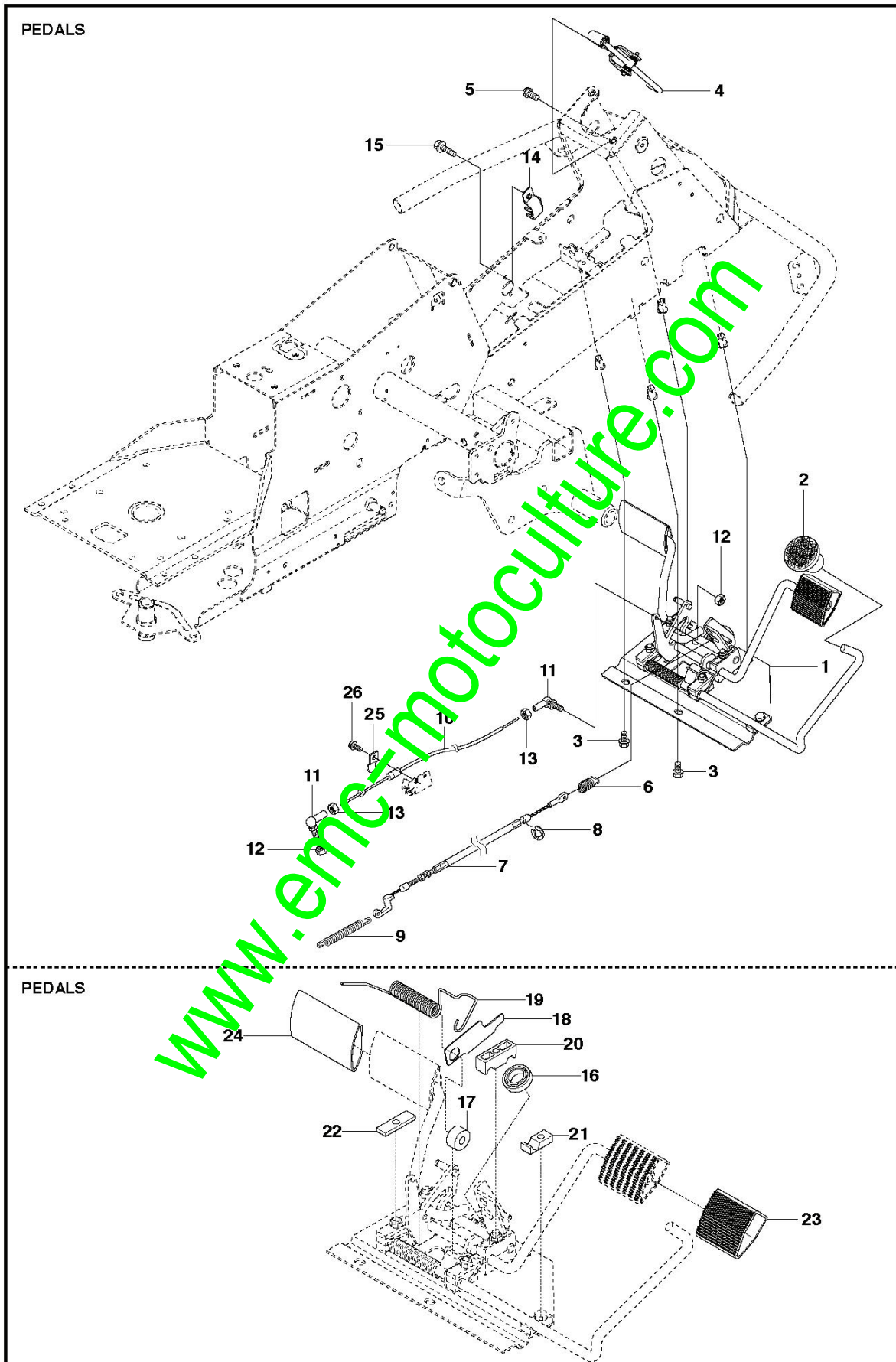




RIDERS

PXM_REF	PXM_PARTNO	DESCRIPTION	PXM_REMARK	QTY.
1	590880601	LIFTING LEVER ASSY		1
2	588926901	BEARING		1
3	525406601	PEN		1
4	588927101	ANVIL		1
5	721618301	SPLIT PIN		4
6	588927001	LIFTING ARM		1
7	725249751	SCREW		1
8	731232001	HEXAGON NUT		1
9	588927401	ROD		1
10	588927301	ANVIL		1
12	588927501	SPRING		1
13	506905601	OFFSET PULLEY		2
14	582871901	SHAFT		1
15	582871902	SHAFT		1
16	735311820	E-CLIP		2
17	506554609	CHAIN		1
18	506554701	LINKAGE		1
21	544456901	CONNECTION ROD		1
23	544378601	LINK		1
24	735311420	E-CLIP		1
25	544448801	CONNECTION ROD		1
26	734116441	WASHER		1

[www.emc-motoculture.com](http://www.emc-motoculture.com)

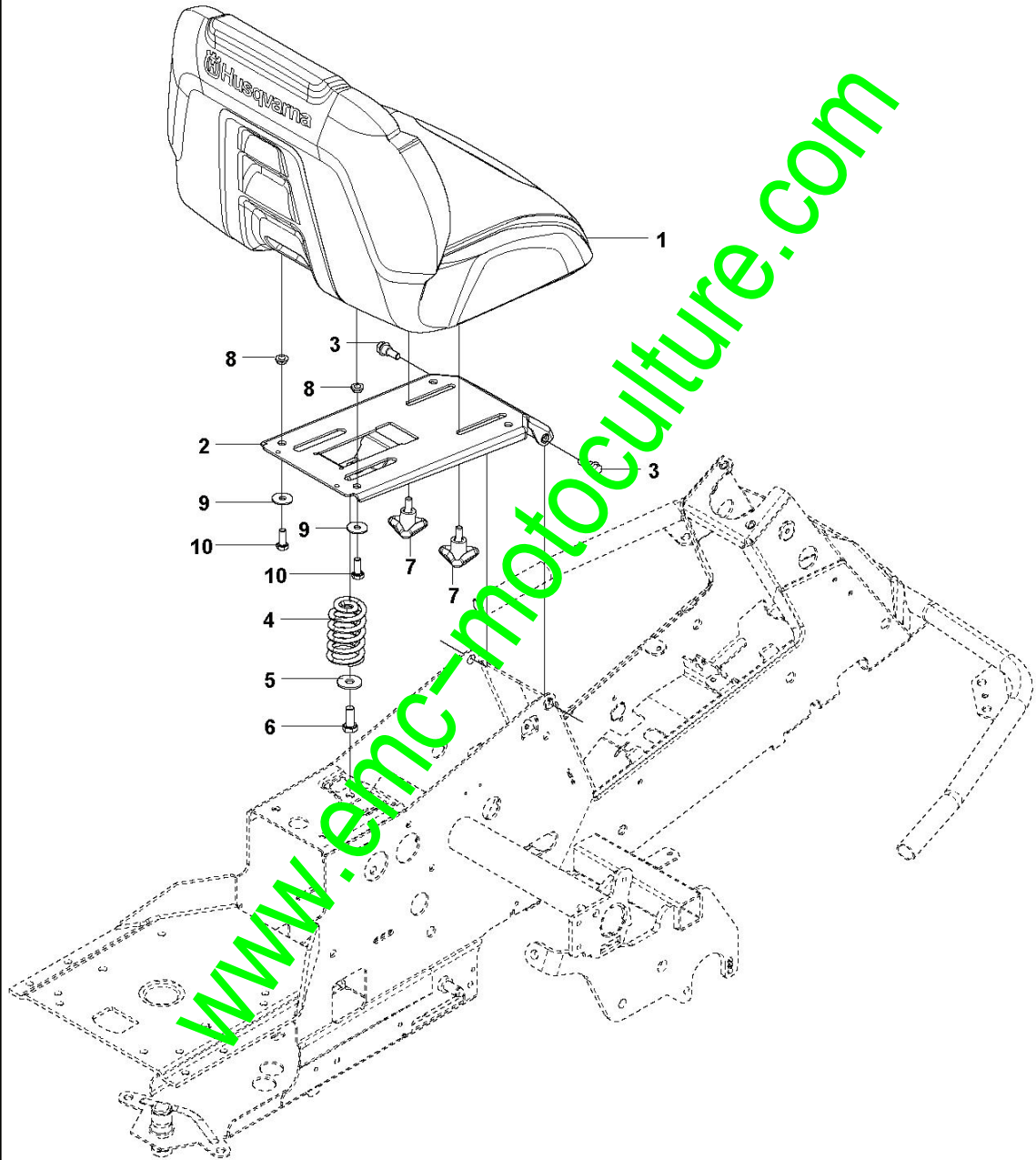


RIDERS

PXM_REF	PXM_PARTNO	DESCRIPTION	PXM_REMARK	QTY.
1	586969301	PEDAL PLATE ASSY		1
2	586727401	KNOB		1
3	506570104	SCREW EHHFM		4
4	544403101	BRAKE LEVER ASSY		1
5	725236461	SCREW EHHFT		2
6	506946301	BRAKE SPRING		1
7	506992701	BRAKE WIRE		1
8	735310920	E-CLIP		1
9	506535603	DRAW SPRING		1
10	574411101	CONTROL CABLE		1
11	578776801	BALL JOINT		2
12	732211601	LOCK NUT		2
13	731231401	HEXAGON NUT		2
14	522430801	BRACKET		1
15	725236461	SCREW EHHFT		1
16	738210204	BALL BEARING		1
17	535480201	ROLLER		1
18	535480601	PROTECTIVE PLATE		1
19	535480701	SPRING		1
20	535480801	BEARING SUPPORT		4
21	535480901	BEARING SUPPORT		1
22	535481001	REINFORCEMENT PLATE		1
23	586966401	PEDAL		1
24	586966402	PEDAL		1
25	506566501	CLIP		1
26	725236461	SCREW EHHFT		1

[www.emc-motoculture.com](http://www.emc-motoculture.com)

SEAT



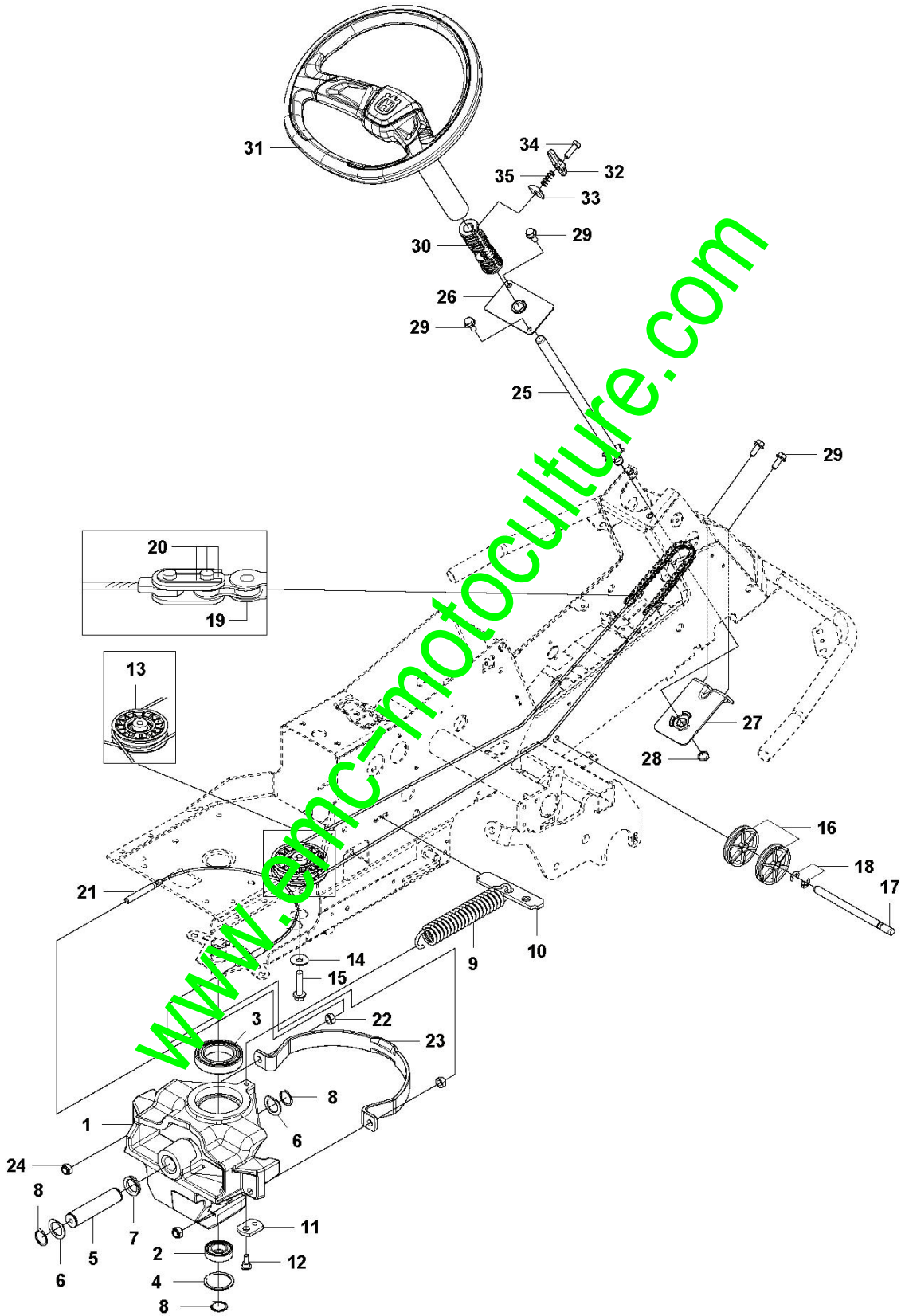
# RIDERS

---

PXM_REF	PXM_PARTNO	DESCRIPTION	PXM_REMARK	QTY.
1	589345701	SEAT		1
2	501131501	SEAT BRACKET ASSY		1
3	506597401	SCREW EHHFM		2
4	506915301	COMPRESSION SPRING		1
5	734117441	WASHER		1
6	725249371	SCREW EHHM		1
7	585065202	KNOB		2
8	506565301	BUSHING		2
9	734116441	WASHER		2
10	725245171	SCREW EHHM		2

[www.emc-motoculture.com](http://www.emc-motoculture.com)

STEERING



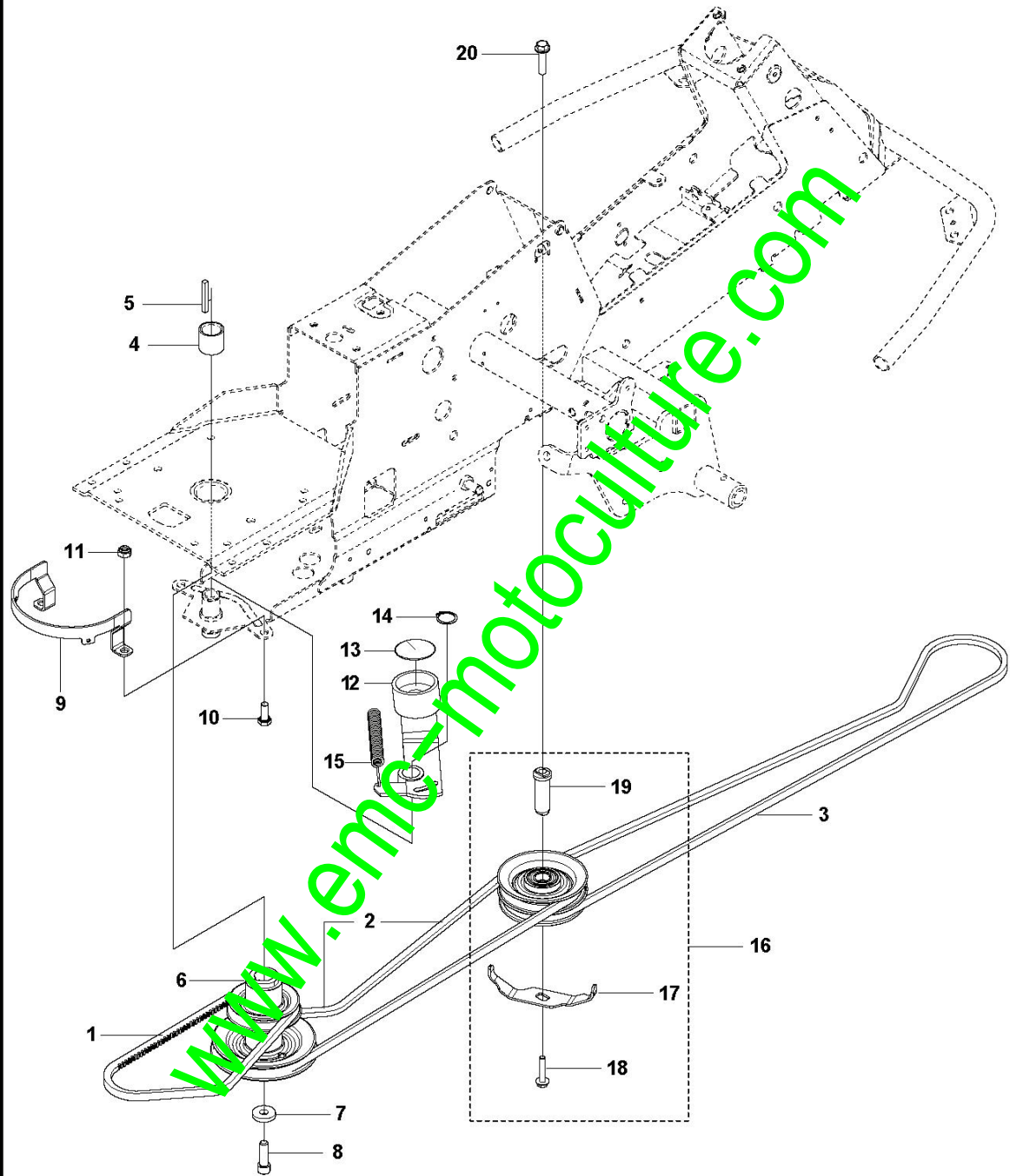
RIDERS

PXM_REF	PXM_PARTNO	DESCRIPTION	PXM_REMARK	QTY.
1	577659301	SPINDLE		1
2	738210504	BALL BEARING		1
3	738211004	BALL BEARING		1
4	735314010	CIRCLIP		1
5	506985901	SWING AXLE		1
6	506773401	WASHER		2
7	740681421	V-RING		1
8	735312600	CIRCLIP		3
9	506671901	SPRING		1
10	590735401	SPRING RETAINER		1
11	506670801	LINK		1
12	506597401	SCREW EHHFM		1
13	576492501	PULLEY		1
14	734117441	WASHER		1
15	506675403	SCREW EHHFM		1
16	506522401	STARTER PULLEY		2
17	506539404	SHAFT		1
18	735311420	E-CLIP		2
19	506554601	CHAIN		1
20	506554701	LINKAGE		2
21	501604804	CABLE ASSY		2
22	731232001	HEXAGON NUT		2
23	544427301	WIRE GUIDE		1
24	732212051	NUT		2
25	593947201	STEERING ROD		1
26	584155601	BRACKET		1
27	583899701	BRACKET		1
28	735311700	CIRCLIP		1
29	506570104	SCREW EHHFM		4
30	587080901	DRIVER		1
31	593166104	STEERING WHEEL		1
32	593149501	HANDLE		1
33	593605201	FIXING PLATE		1
34	593149401	PIN		1
35	593868801	SPRING		1

www.emc-motoculture.com



TRANSMISSION



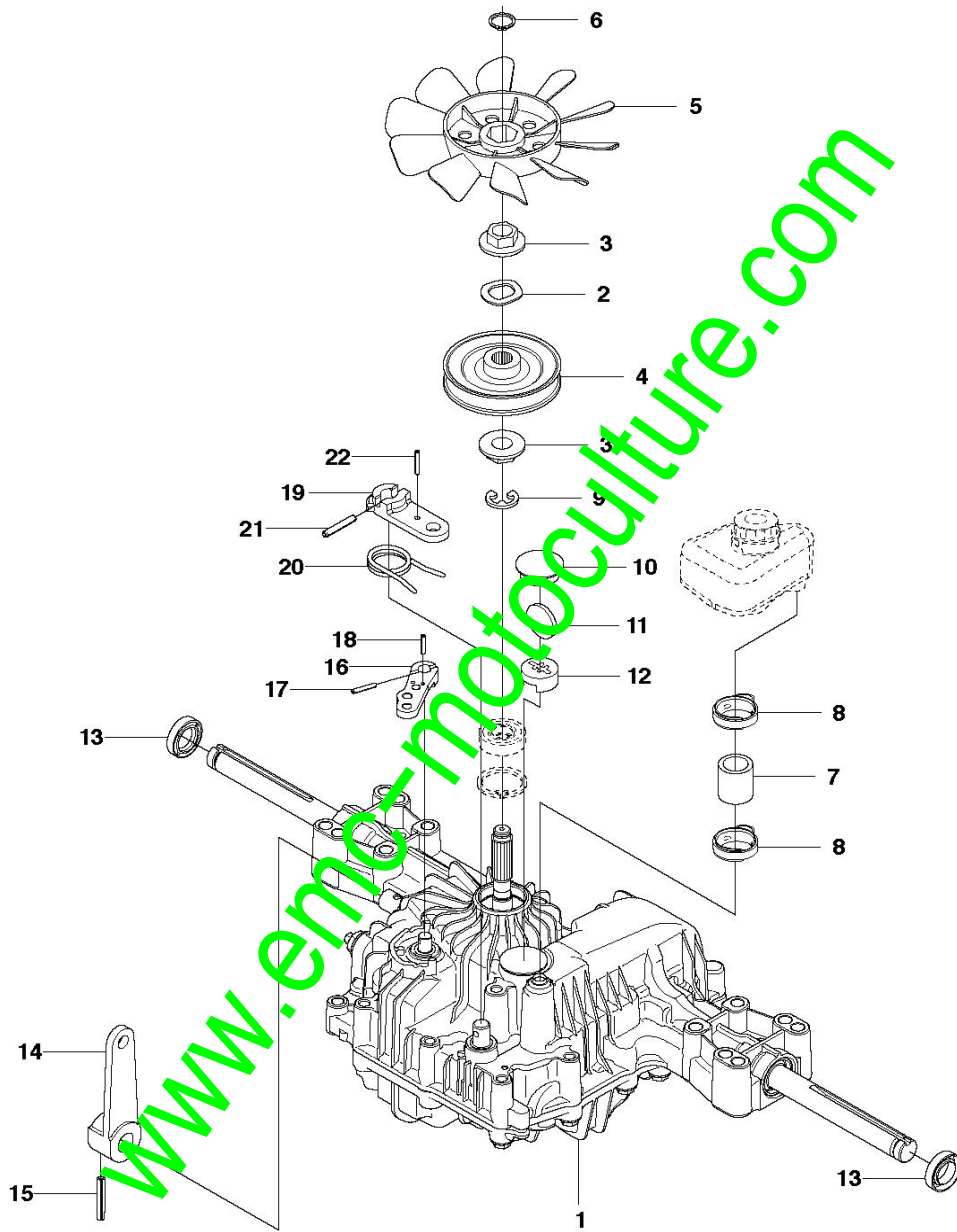
RIDERS

---

PXM_REF	PXM_PARTNO	DESCRIPTION	PXM_REMARK	QTY.
1	589531201	BELT		1
2	589530401	BELT		1
3	594977801	BELT		1
4	506509203	SPACING SLEEVE		1
5	506555901	WEDGE		1
6	535482401	PULLEY		1
7	506597501	WASHER		1
8	506556002	SCREW UNC		1
9	587425201	BELT GUIDE		1
10	725249371	SCREW EHHM		2
11	732212051	NUT		2
12	535484401	BELT TENSIONER ASSY		1
13	535485001	SEALING		1
14	735312600	CIRCLIP		1
15	506665601	SPRING		1
16	581916301	PULLEY		1
17	544405301	BELT GUIDE		1 16
18	586320401	SCREW		1 16
19	581916401	SHAFT		1 16
20	506675402	SCREW EHHFM		1

[www.emc-motoculture.com](http://www.emc-motoculture.com)

HYDROSTAT K46 EU

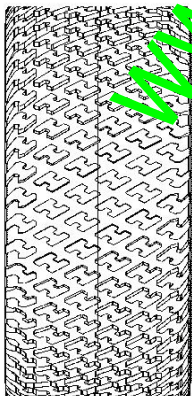
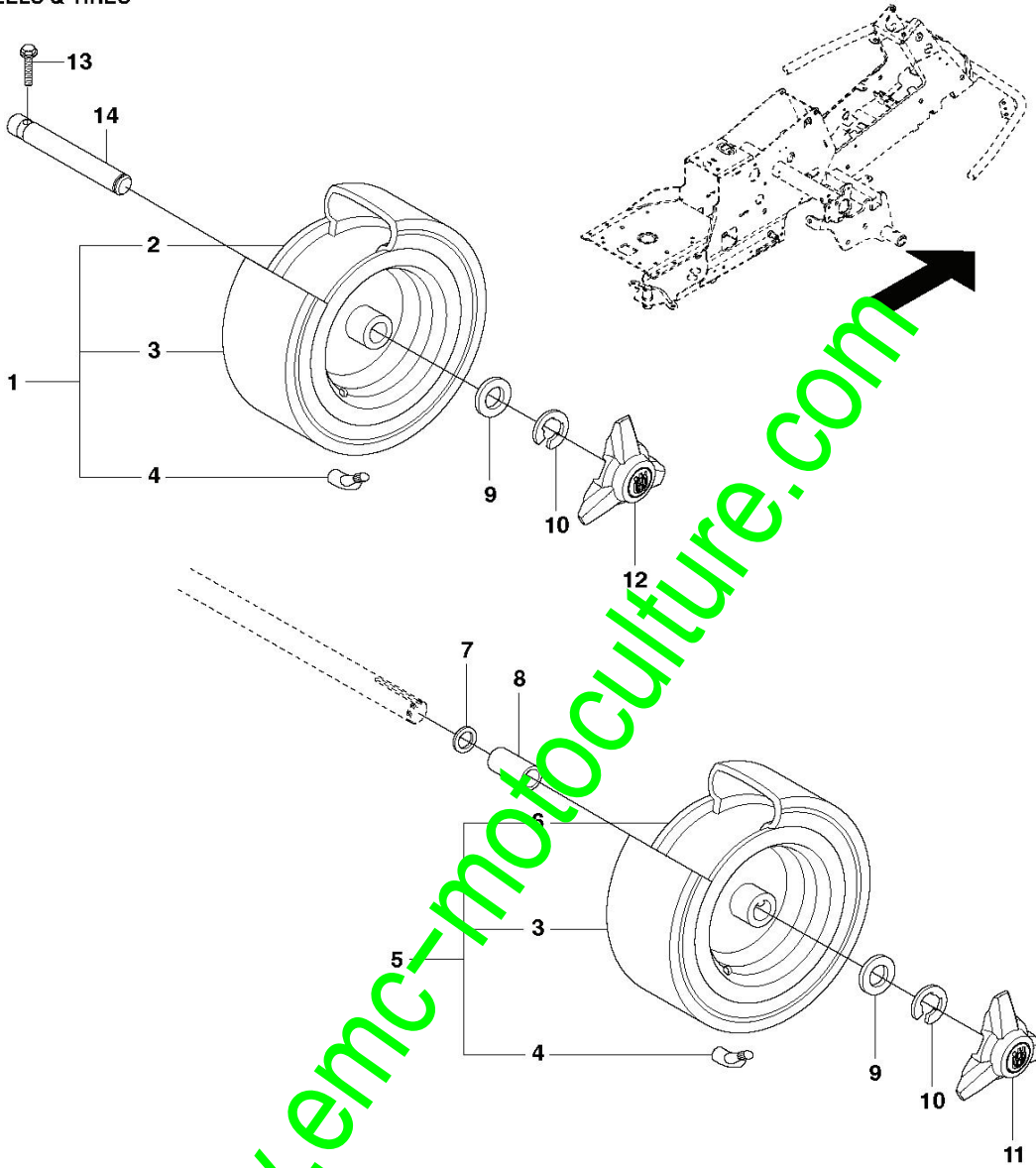


RIDERS

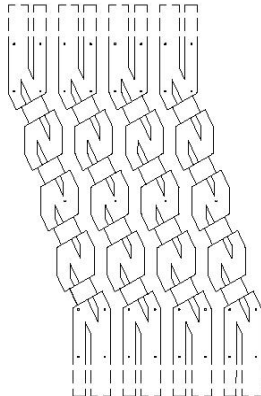
PXM_REF	PXM_PARTNO	DESCRIPTION	PXM_REMARK	QTY.
1	506986301	TRANSMISSION		1
2	506986501	SPRING WASHER		1
3	506986601	DISTANCE		2
4	502451901	PULLEY		1
5	506986801	FAN		1
6	735311500	CIRCLIP		1
7	502451601	TUBE		1
8	505131102	HOSE CLAMP		2
9	535402807	CLIP		1 1
10	535402832	PLUG		1 1
11	505563901	MAGNET		1 1
12	502452001	MAGNET HOLDER		1 1
13	535402837	SEALING		2 1
14	502453201	CONTROL LEVER		1 1
15	586904601	PEN		1 1
16	535402817	LEVER		1 1
17	586904501	SPRING PIN		1 1
18	535402833	PIN RETAINING SCREW		1 1
19	535402838	LEVER		1 1
20	535402839	SPRING		1 1
21	535402840	PIN RETAINING SCREW		1 1
22	535402841	PIN RETAINING SCREW		1 1

[www.emc-motoculture.com](http://www.emc-motoculture.com)

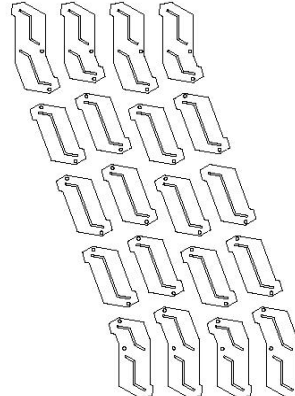
WHEELS & TIRES



TURF GRIP PRO  
Husqvarna Original tyre



TURF TRAC



TURF MASTER

## RIDERS

---

PXM_REF	PXM_PARTNO	DESCRIPTION	PXM_REMARK	QTY.
1	523012202	WHEEL	Turf Grip Pro	2
2	523034501	RIM		1
3	523034602	TIRE	Turf Grip Pro	4
3	531339501	TIRE	Turf Trac	4
3	531339502	TIRE	Turf Master	4
4	523034701	VALVE		1
5	523012602	WHEEL	Turf Grip Pro	2
6	523034801	RIM		1
7	506504805	WASHER		4
8	506596203	SPACING SLEEVE		2
9	506504803	WASHER		2
10	506899001	E-CLIP		4
11	544353501	HUB CAP		2
12	544353502	HUB CAP		2
13	725245961	SCREW EHHFT		2
14	535470801	WHEEL AXLE		2

[www.emc-motoculture.com](http://www.emc-motoculture.com)

[www.emc-motoculture.com](http://www.emc-motoculture.com)