

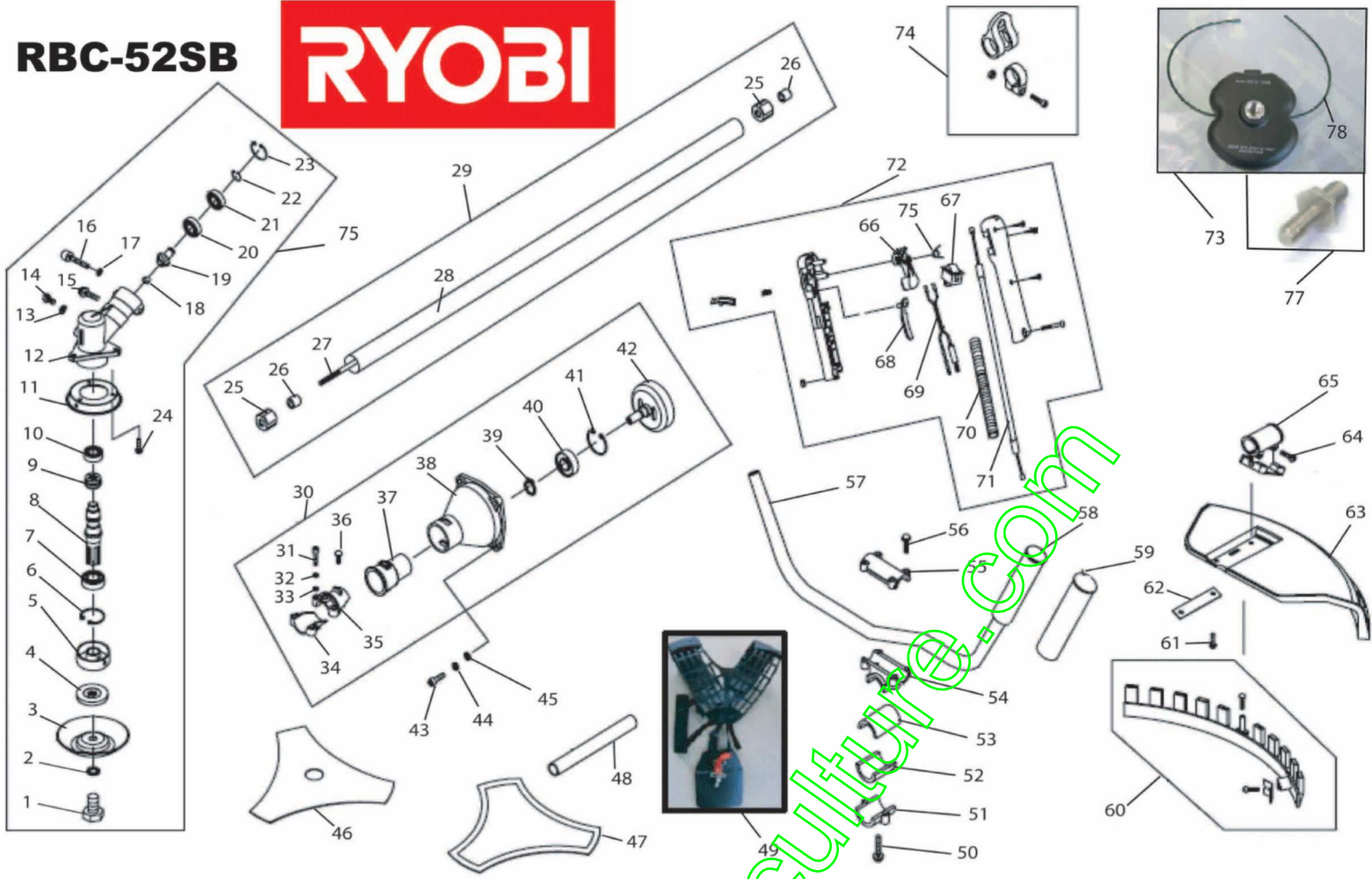
RBC52SB DEBROUS. 52CC

5133000038 - RBC52SB - RBC52SB#1

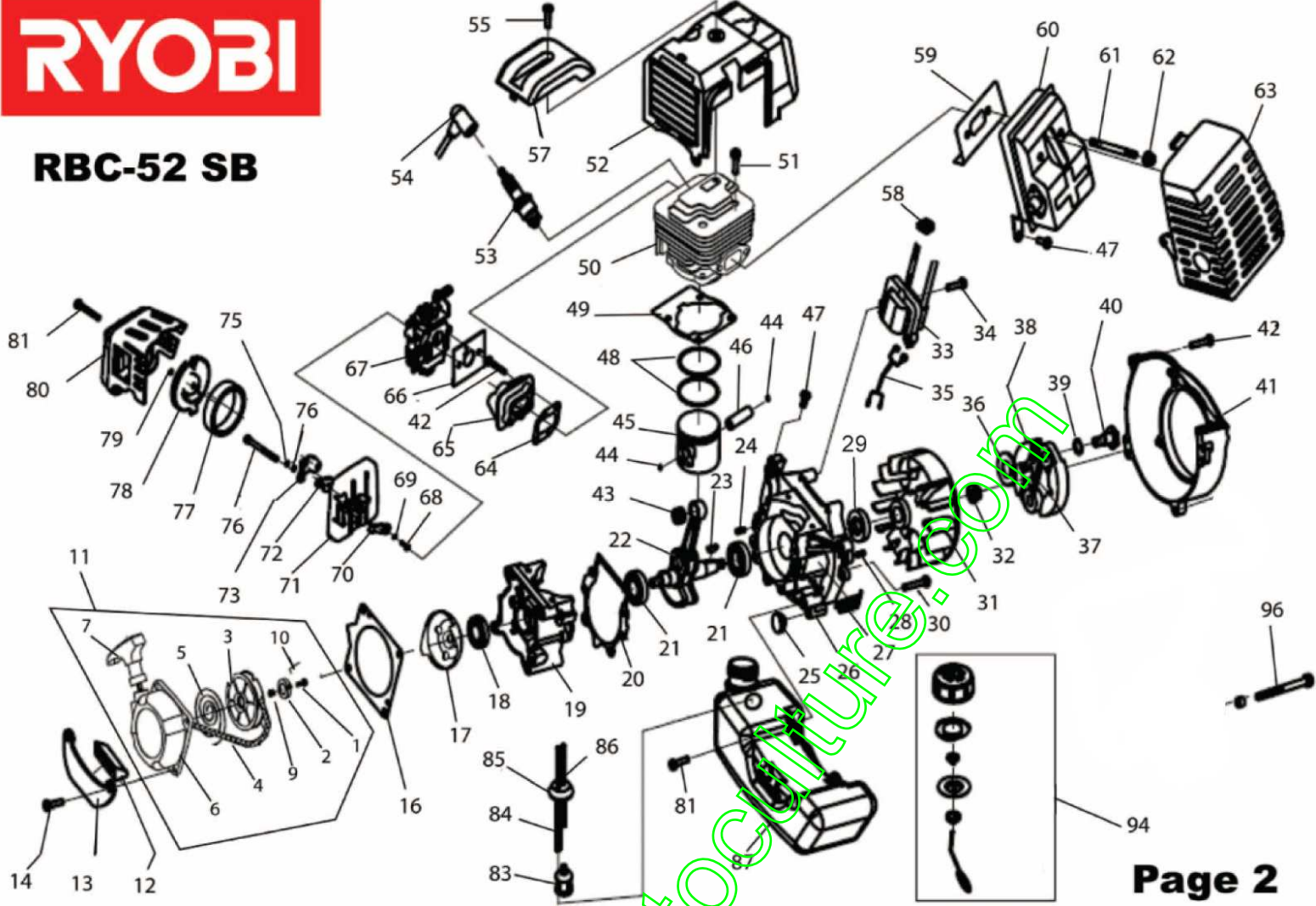


RBC-52SB

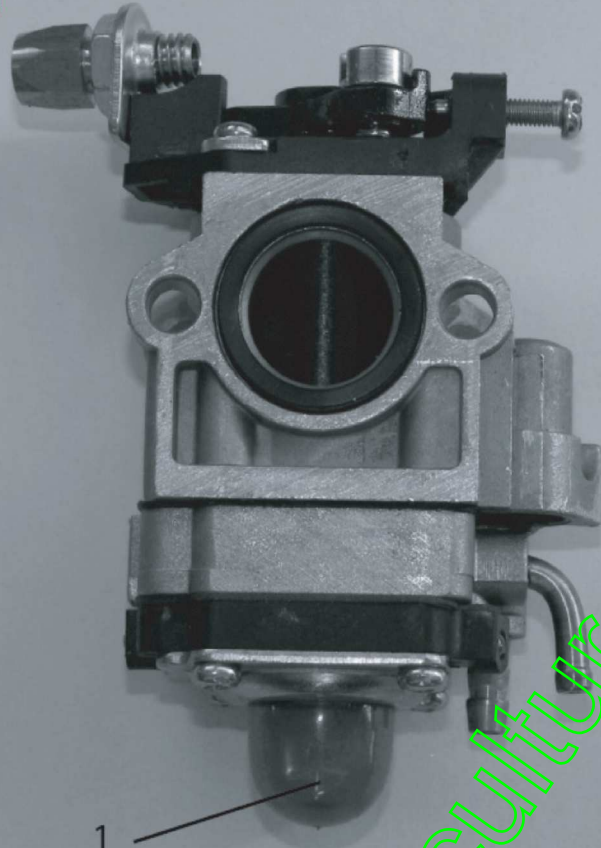
RYOBI



RBC-52 SB



www.emc-motoculture.com



1

www.emc-motoculture.com

Position	Quantité	Désignation	Référence	EAN
1_001	1	VIS	5131001498	
1_002	1	RONDELLE	5131001497	
1_003	1	BRIDE	5131000402	4002395880058
1_004	1	COUVERCLE	5131001496	
1_005	1	BRIDE	5131001495	
1_006	1	CIRCLIP INTERIEUR	5131001494	
1_007	1	ROULEMENT A BILLES	5131005175	
1_008	1	AXE D'ENTRAINEMENT	5131005174	
1_009	1	PIGNON	5131000000	
1_010	1	ROULEMENT A BILLES	5131005172	
1_011	1	BAGUE	5131005171	
1_012	1	CARTER D'ENGRENAGE	5131005170	
1_013	5	RONDELLE	5131000000	
1_014	1	BOULON	5131005168	
1_015	4	VIS	5131000000	
1_016	5	ECROU	5131005165	
1_017	5	RONDELLE	5131000000	
1_018	1	BOUCHON	5131005164	
1_019	1	PIGNON	5131005163	
1_020	1	ROULEMENT A BILLES	5131005172	
1_021	2	ROULEMENT A BILLES	5131005162	
1_022	1	CLIP	5131000000	
1_023	1	CLIP	5131005160	
1_024	4	VIS	5131000000	
1_025	6	BAGUE CAOUTCHOUC RHBC	5131000000	
1_026	6	ROULEMENT A BILLES	5131005177	
1_027	1	ARBRE TRANSMISSION	5131000000	
1_028	1	AXE	5131000000	
1_029	1	AXE	5131001512	
1_030	1	ACCOUPLLEMENT	5131000415	
1_031	2	VIS	5131001503	
1_032	2	RONDELLE	5131005181	
1_034	1	COLLIER	5131000405	
1_035	1	COLLIER	5131000406	
1_036	1	VIS	5131000000	
1_037	1	GUIDAGE	5131000404	
1_038	1	CARTER D'ACC. EMBRAYAGE	5131005180	
1_039	1	CIRCLIP INTERIEUR	5131001502	
1_040	1	ROULEMENT A BILLES	5131001501	
1_041	1	CIRCLIP INTERIEUR	5131000000	
1_042	1	ACCOUPLLEMENT	5131001499	
1_044	2	RONDELLE	5131000000	
1_047	1	PROTECTION	5131005213	
1_048	1	TAMPON E.CAOUTCHOUC	5131005183	
1_049	1	DRAGONNE	5131001518	
1_050	2	GOUPILLE	5131001504	
1_051	1	SUPPORT	5131001505	
1_052	1	RONDELLE	5131001506	
1_053	1	RONDELLE	5131001506	
1_054	1	ETRIER	5131001507	

Position	Quantité	Désignation	Référence	EAN
1_055	1	SUPPORT	5131001508	
1_056	4	GOUPILLE	5131001509	
1_057	1	GUIDON	5131005212	
1_058	1	POIGNEE	5131005185	
1_059	2	COUVERCLE	5131001510	
1_060	1	CARTER PROTECTION	5131000417	
1_061	4	VIS RHBC	5131000411	
1_062	1	PLAQUE	5131005200	
1_063	1	CARTER PROTECTION	5131000410	
1_064	1	VIS	5131000409	
1_065	1	SUPPORT	5131000000	
1_066	1	GACHETTE	5131005187	
1_067	1	INTERRUPTEUR	5131000407	
1_068	1	GACHETTE	5131005192	
1_069	1	FIL	5131005188	
1_070	1	GAINE RHBC	5131000000	
1_071	1	CABLE	5131005190	
1_072	1	MANCHE	5131000416	
1_074	1	CEINTURE	5131001513	
1_075	1	CARTER D'ENGRENAGE	5131000414	
1_077	1	ADAPTATEUR	5131001516	
1_079	1	RESSORT	5131005196	
1_080	1	BOBINE ALLUMAGE	5131005197	
1_081	1	COUVERCLE	5131005198	
1_082	1	ECROU	5131000000	
1_083	1	RESSORT GACHETTE RHBC	5131000000	
1_084	2	OEILLET	5131000000	
2_001	1	VIS	5131005126	
2_002	1	RONDELLE	5131005127	
2_003	1	RONDELLE	5131000383	
2_004	1	CABLE	5131000384	
2_005	1	RESSORT	5131000385	
2_006	1	PIECE NON DETAILLEE	1000063920	
2_007	1	MONTAG.STATIONNAIRE	5131000712	
2_009	1	RESSORT	5131005129	
2_010	1	GOUPILLE	5131005130	
2_011	1	STARTER PACKAGE	5131000412	
2_012	1	TAMP.EN CAOUTCHOUC	5131001461	
2_013	1	SUPPORT	5131005131	
2_014	2	VIS	5131005132	
2_016	1	JOINT	5131001462	
2_017	1	COIL	5131000386	
2_018	1	JOINT	5131001463	
2_019	1	CARTER	5131001464	
2_020	1	JOINT	5131001465	
2_021	2	ROULEMENT A BILLES	5131001466	
2_022	1	ARBRE-MANIVELLE	5131000387	
2_023	1	CLAVETTE	5131001467	
2_024	2	GOUPILLE	5131000000	
2_025	2	RONDELLE	5131001469	

Position	Quantité	Désignation	Référence	EAN
2_026	1	CARTER	5131001470	
2_027	1	GUIDE COVER RHBC	5131000000	
2_028	2	GOUPILLE	5131005135	
2_029	1	JOINT	5131001471	
2_030	4	VIS	5131005136	
2_031	1	ROTOR	5131000388	
2_032	1	ECROU	5131000000	
2_033	1	COIL	5131000389	
2_034	2	BOULON	5131005137	
2_035	1	CABLE	5131005138	
2_036	1	RONDELLE	5131005139	
2_037	1	RESSORT	5131001473	
2_038	2	ACCOUPEMENT	5131000390	
2_039	2	RONDELLE	5131005140	
2_040	2	BOULON	5131005141	
2_041	1	COUVERCLE	5131005142	
2_042	4	VIS	5131005143	
2_043	1	GOUPILLE	5131000000	
2_044	2	CIRCLIP INTERIEUR	5131001475	
2_045	1	PISTON	5131036840	4002395168958
2_046	1	AXE	5131000392	
2_047	3	BOULON	5131005144	
2_048	2	PISTON RONDELLE	5131000393	
2_049	1	JOINT	5131001476	
2_050	1	CYLINDRE	5131000394	
2_051	4	VIS	5131005145	
2_052	1	CYLINDRE BOITIERE	5131005208	
2_053	1	BOUGIE	5131000395	
2_054	1	ANTIPARASITE RHBC	5131001477	
2_055	1	VIS	5131005147	
2_057	1	CARTER	5131000396	
2_058	1	PASSANT	5131000000	
2_059	1	JOINT	5131000397	
2_060	1	SILENCIEUX	5131001478	
2_061	2	GOUPILLE	5131001479	
2_062	2	ECROU	5131001480	
2_063	1	COUVERCLE	5131001481	
2_064	1	JOINT	5131001482	
2_065	1	PIPE ADMISSION	5131000398	
2_066	1	JOINT	5131000399	
2_067	1	CARBURATEUR	5131000400	
2_068	1	VIS	5131005150	
2_069	1	RONDELLE	5131005151	
2_070	1	JEU REPARATION	5131001483	
2_071	1	FILTRE	5131001484	
2_072	1	TIRETTE DE STARTER	5131005152	
2_073	1	LEVIER	5131001485	
2_075	2	RONDELLE RESSORT	5131005154	
2_076	1	VIS	5131005155	
2_076A	2	RONDELLE	5131005153	

Position	Quantité	Désignation	Référence	EAN
2_077	1	FILTRE	5131001486	
2_078	1	COUVERCLE	5131001487	
2_079	1	RONDELLE	5131005156	
2_080	1	COUVERCLE	5131001488	
2_081	1	VIS	5131005157	
2_083	1	FILTRE	5131001489	
2_084	1	TUYAU FLEXIBLE	5131001490	
2_085	1	GUIDAGE	5131001491	
2_086	1	TUYAU FLEXIBLE	5131001492	
2_087	1	RESERVOIR	5131036886	4002395169023
2_094	1	COUVERCLE	5131000413	
2_095	1	PATTE RESERVOIR RHBC	5131000000	
2_096	2	VIS	5131005159	
3_001	1	AMPOULE	5131019816	
1_046	1	LAME D.255MM X 25,4 3DTS	5131000000	
1_073	1	TETE	5132000028	4892210805072
1_078	1	PAQUET 20 BRINS RBC40/52SB	5132000087	4892210805775

www.emc-motoculture.com