



**REPAIR
PARTS MANUAL
MODEL NO. RE1338B
Lawn Tractor**

For Parts and Service, contact our authorized distributor: call 1-800-849-1297
For Technical Assistance: call 1-800-829-5886

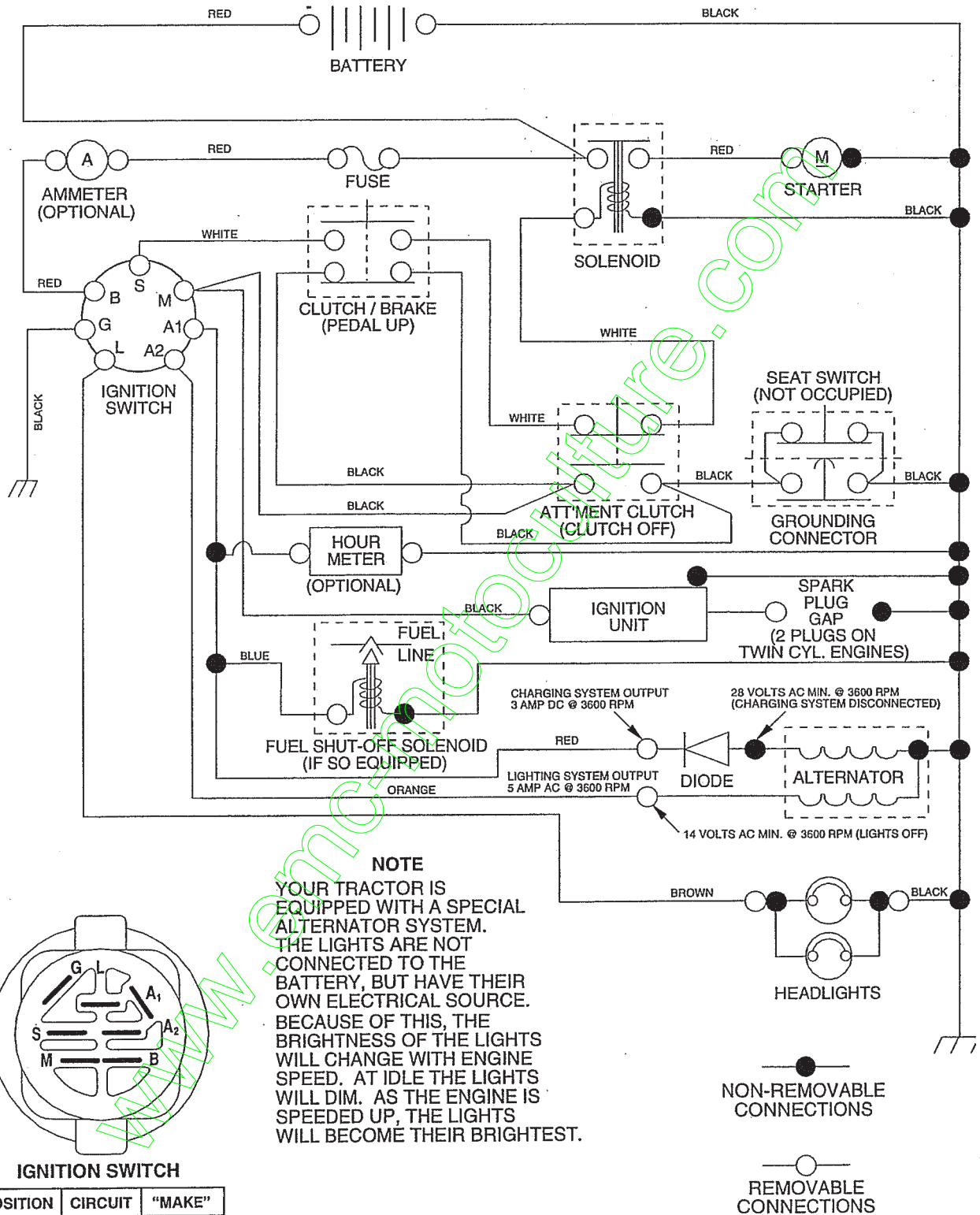
Rally

172165 11.16.99 RD
PRINTED IN U.S.A.

1B

TRACTOR - - MODEL NUMBER RE1338B

SCHEMATIC



REPAIR PARTS

TRACTOR -- MODEL NUMBER RE1338B

ELECTRICAL

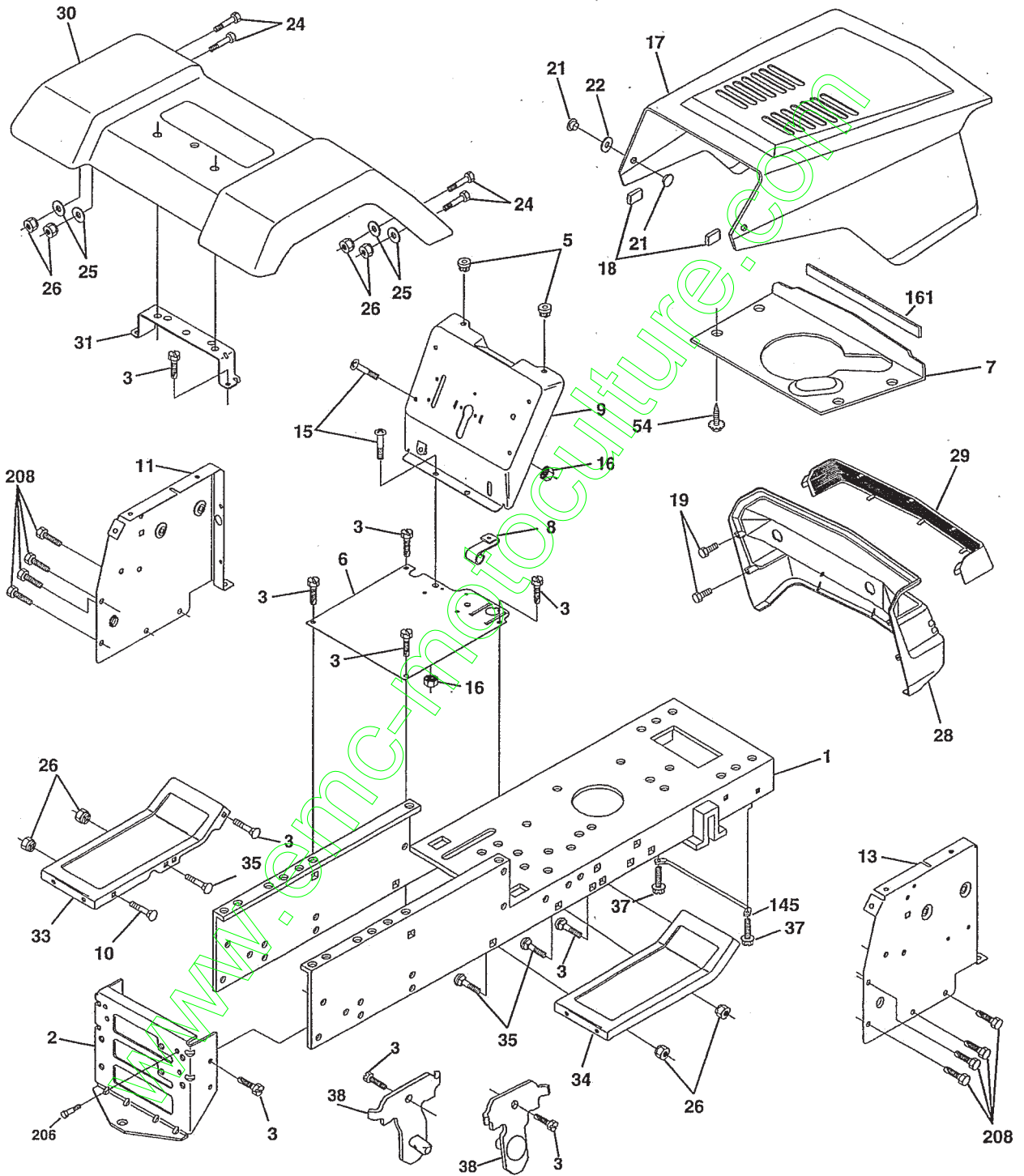
KEY NO.	PART NO.	DESCRIPTION
1	144925	Battery 12 Volt 25 Amp
2	74760412	Bolt Hex Hd 1/4-20unc X 3/4
8	156417	Case Battery
16	153664	Switch Interlock Push-In
21	166181	Harness Asm Light W/4152J
22	4152J	Bulb Light #1156
24	108423X	Cable Battery 6 Ga 16" red
25	146147	Cable Battery 6 Ga red W/ 16" Wire
26	108824X	Fuse 30 AMP Auto Green
27	73510400	Nut, Keps Hex 1/4-20 UNC
28	4207J	Cable Ground 6 Ga 12" black
29	121305X	Switch Plunger No Gray
30	163968	Switch, Ignition
33	140401	Key Ign
40	170217	Harness Ign
41	71110408	Bolt Blk Fin Hex 1/4-20 x 1/2
42	131563	Cover Terminal Red
43	145673	Solenoid
48	140844	Adapter Ammeter Rectangular
52	141940	Protection Wire Loop

NOTE: All component dimensions give in U.S. inches
1 inch = 25.4 mm.

REPAIR PARTS

TRACTOR - - MODEL NUMBER RE1338B

CHASSIS AND ENCLOSURES



5

REPAIR PARTS

TRACTOR - - MODEL NUMBER RE1338B

CHASSIS AND ENCLOSURES

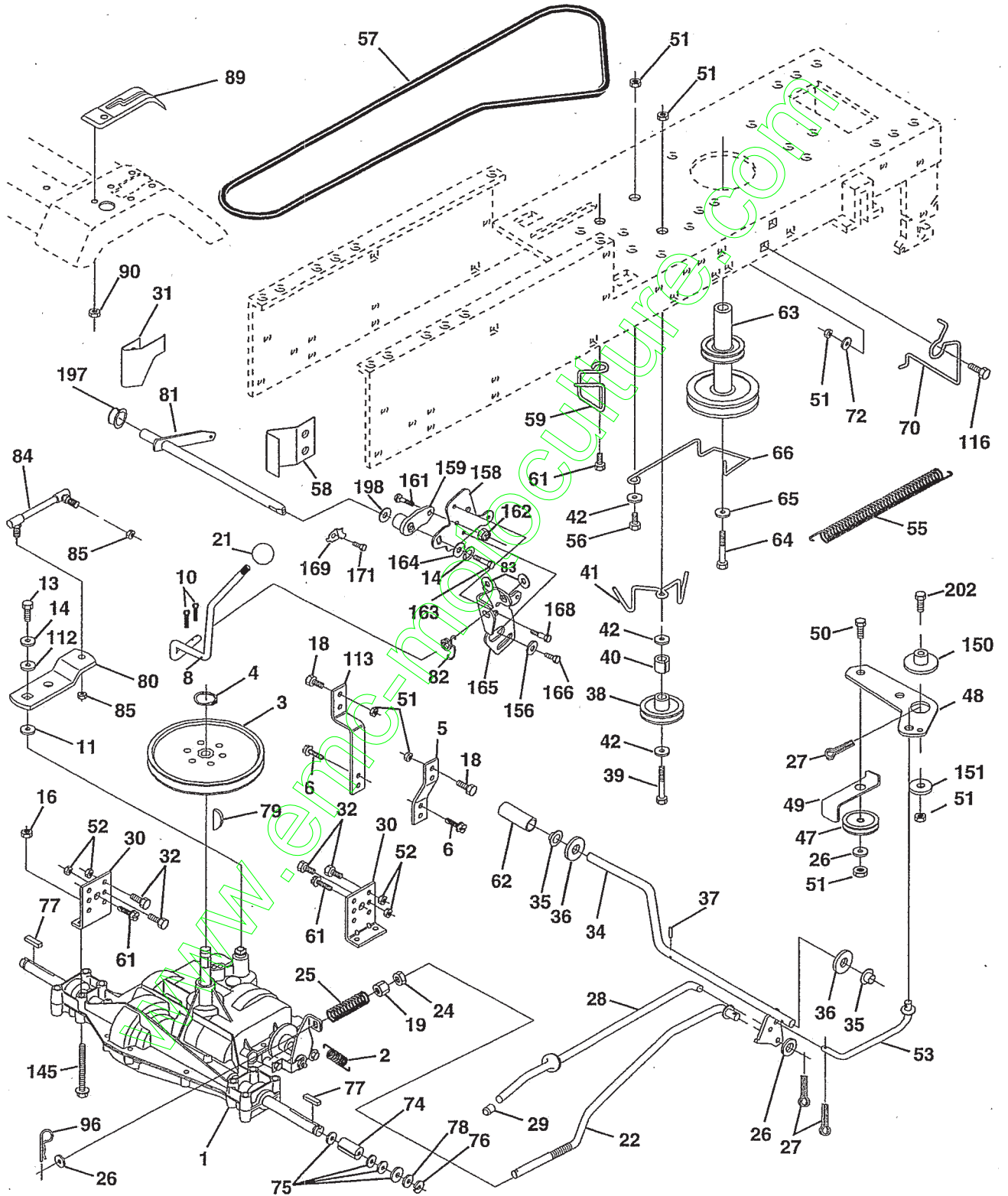
KEY NO.	PART NO.	DESCRIPTION
1	169831	Chassis
2	169061	Drawbar
3	17060612	Screw, 3/8-16 x 3/4
5	155272	Bumper Hood/Dash
6	155923	Saddle
7	126842X	Shield Heat Hood LT
8	155138	Clip, Retainer Slide-On
9	168655x010	Dash
10	72140608	Bolt, Carriage 3/8-16 x 1
11	155927	Dashboard, panel LH
13	172107x010	Dashboard, panel RH
15	74180512	Machine screw 5/16-18 unc x 3/4
16	73510500	Nut, Keps 5/16-18 Unc
17	154988X505	Hood Asm Pnt Weld Slope MS-505
18	126938X	Bumper Hood
19	164863	Screw Hwhd Hi-Lo #13-16 x 3/4
21	122933X	Rivet Ratchet Nylon
22	124479X	Washer, Nylon Blk .28 x .75 x .19
24	74780616	Bolt, Hex Head, Fin. 3/8-16 x 1 Grade 5
25	19131312	Washer 13/32 x 13/16 x 12 Gauge
26	73800600	Nut Lock Hex w/Ins. 3/8-16 Unc
28	140135X505	Grille
29	124029X599	Lens Grille
30	169467X505	Fender
31	136619	Fender Bracket
33	105476X505	Footrest, LH
34	105475X505	Footrest, RH
35	72110606	Bolt 3/8-16 X 3/4
37	17490508	Screw Thdrol 5/16-18 x 1/2
38	169834	Bracket Asm Pivot Mower Rear
54	161464	Screw Hex WsHd 8-18 x 7/8
145	156524	Rod Pivot Chassis/Hood
161	161547	Extrusion Hood
206	170165	Bolt Shoulder 5/16-18 Unc
208	17670608	Screw Thdrol 3/8-16 x 1/2
--	5479J	Button Plug

NOTE: All component dimensions given in U.S. inches
1 inch = 25.4 mm

REPAIR PARTS

TRACTOR - - MODEL NUMBER RE1338B

DRIVE



REPAIR PARTS

TRACTOR - - MODEL NUMBER RE1338B

DRIVE

KEY NO.	PART NO.	DESCRIPTION	KEY NO.	PART NO.	DESCRIPTION
1	-----	Transaxle Peerless 205-544C (Order parts from transaxle manufacturer)	61	17060612	Screw, 3/8-16 x 3/4
2	146682	Spring, Brake Return	62	8883R	Cover, Foot Pedal
3	123666X	Pulley, Transaxle	63	140186	Pulley, Engine
4	12000028	Ring, Retainer	64	71170764	Bolt, Hex 7/16-20 x 4 Gr. 5
5	121520X	Strap, Torque	65	10040700	Washer, Lock Hvy Hlcl Spr 7/16
6	17060512	Screw, 5/16-18 x 3/4	66	154778	Keeper, Belt Engine F-Proof
8	165619	Rod Shift Fender Adjust LT	70	134683	Guide Belt Mower Drive RH
10	76020416	Pin, Cotter 1/8 x 1	72	19132012	Washer 13/32 x 1-1/4 x 12 Ga.
11	105701X	Washer, Shift Plate	74	137057	Spacer, Axle
13	74550412	Bolt 1/4-28 UNF Gr. 8 w/Patch	75	121749X	Washer 25/32 x 1-1/4 x 16 Ga.
14	10040400	Washer Lock	76	12000001	E-Ring
16	73800500	Nut Lock Hex w/Ins 5/16-18 Unc	77	123583X	Key Square
18	74780616	Bolt, Fin Hex 3/8-16 Unc x 1 Gr. 5	78	121748X	Washer 25/32 x 1-5/8 x 16 Ga.
19	73800600	Locknut 3/8-16	79	2228M	Key Woodruff #9 3/16 x 3/4
21	106933X	Knob	80	131486	Shift Arm
22	130804	Rod, Brake	81	165594	Shaft Asm Cross Tapered DA/PR 18
24	73350600	Nut, Hex Jam 3/8-16	82	123782X	Spring, Torsion
25	106888X	Spring, Rod, Brake	83	19171216	Washer 17/32 x 3/4 x 16 Gauge
26	19131316	Washer 13/32 x 13/16 x 16 Gauge	84	166228	Link, Transaxle PMST/18" Zinc
27	76020412	Pin, Cotter 1/8 x 3/4	85	150360	Nut 1/4-28
28	145204	Rod, Brake, Park	89	169370X428	Console Shift
29	71673	Cap, Plunger	90	124346X	Nut, Washer Head, Self-Thread 1/4
30	130807	Bracket, Transaxle, L.H.	96	4497H	Retainer Spring 1" Ziinc/Cad
31	127175X	Keeper Belt Lh Lt	112	19091210	Washer 9/32 x 3/4 x 10 Ga.
32	74760512	Bolt Hex Hd 5/16-18 UNC x 3/4	113	127285X	Strap Torque L.H. Lt
34	155071	Shaft, Foot Pedal	116	72110610	Bolt, RdHd Sq Neck 3/8-16 x 1.25
35	120183X	Bearing Nylon	145	74490540	Bolt, Hex Flghd 5/16-18 Gr. 5
36	19211616	Washer 21/32 x 1 x 16 Gauge	150	165850	Bushing, Bellcrank Grd Drive
37	1572H	Pin, Roll 3/16 x 1	151	19133210	Washer 13/32 x 2 x 10 Ga.
38	131494	Idler, Flat	156	166002	Washer Srtded 5/16ID x 1 x .125
39	72110622	Bolt Rdhd 3/8-16 Unc x 2-3/4 Gr.5	158	165589	Bracket, Shift Mount
40	4470J	Spacer	159	165494	Hub, Tapered Flange Shift LT
41	165838	Keeper, Belt	161	72140406	Bolt Rdhd Sqnk 1/4-20 x 3/4 Gr 5
42	19131312	Washer 13/32 x 13/16 x 12 Gauge	162	73680400	Nut, Crownlock 1/4-20 UNC
47	127783	Pulley, Idler	163	74780416	Bolt, Hex Fin 1/4-20 UNC x 1 Gr 5
48	154407	Bellcrank Clutch Grnf Drv Stl	164	19091010	Washer 5/8 x .281 x 10 Ga
49	123205X	Retainer, Belt	165	165623	Bracket Pivot Lever
50	74760624	Bolt, Hex 3/8-16 x 1-1/2	166	166880	Screw 5/16-18 x 5/8
51	73680600	Nut, Crownlock 3/8-16	168	165492	Bolt Shoulder 5/16-18 x .561
52	73680500	Nut, Crownlock 5/16-18	169	165581	Plate, Fastening LT
53	105710X	Link, Clutch	171	17490608	Screw Thdrol 3/8-16 x 1/2 TY-TT
55	105709X	Spring, Return, Clutch	197	169613	Nyliner Snap-In 5/8" ID
56	74760620	Bolt, Fin, Hex 3/8-16unc x 1-1/2	198	169593	Washer Nyl 7/8 Id x .105"
57	130801	V-Belt, Drive	202	72110612	Bolt Carr Sh 3/8-16 x 1-1/2 Gr 5
58	127174X	Keeper Belt Rh Lt			
59	169691	Keeper Belt Center Span			

NOTE: All component dimensions given in U.S. inches
1 inch = 25.4 mm

REPAIR PARTS

TRACTOR - - MODEL NUMBER RE1338B

STEERING

KEY NO.	PART NO.	DESCRIPTION
1	133741	Wheel, Steering
2	154427	Asm. Axle, Rear
3	169840	Asm., Spindle, Lh
4	169839	Asm., Spindle, Rh
5	6266H	Bearing, Thrust, Hardened
6	121748X	Washer 25/32 x 1-5/8 x 16 Ga.
7	19272016	Washer 27/32 x 1-1/4 x 16 Ga.
8	12000029	Ring, Clip
9	3366R	Bearing
10	169832	Link, Drag
11	10040600	Washer, Lock
13	136518	Spacer Brg Axle Front
15	145212	Nut Hex Flange Lock
17	156545	Asm. Shaft, Steering
18	57079	Washer, Thrust .515 x .750 x .033
19	160395	Support, Shaft
22	165857	Screw, Hex Wshhd Torx
23	165851	Shaft, Asm Pittman
25	154406	Bracket, Steering
26	126847X	Bushing, Link, Drag
27	136874	Gear, Sector
28	19131416	Washer 13/32 x 7/8 x 16 Ga.
29	17060612	Screw, 3/8-16 x 3/4
30	76020412	Pin, Cotter
32	130465	Rod, Tie
36	155099	Bushing, Steering
37	152927	Screw
38	133742	Insert, Steering
39	19133812	Washer 13/32 x 2-3/8 x 12 Ga.
40	7810H	Nut
41	104820X	Adapter, Steering
42	124418X	Boot, Shaft Steering Blk
43	121749X	Washer 25/32 x 1-1/4 x 16 Ga.
46	121232X	Cap, Spindle
47	6855M	Fitting, Grease
62	167903	Kit, Steering Asm, Service
65	160367	Spacer Brace Axle
66	154404	Bearing Arm Pittman
67	72140618	Bolt Rdhd Sq 3/8-16 Unc x 2-1/4
68	169827	Axle, Brace
79	19132012	Washer 13/32 x 1-1/4 x 12 Ga.
80	74950612	Bolt, Hex Nylon 3/8-16 x 3/4
82	169835	Bracket Susp Chassis Front
85	133835	Fastner Christmas Tree

NOTE: All component dimensions given in U.S. inches
1 inch = 25.4 mm

REPAIR PARTS

TRACTOR - - MODEL NUMBER RE1338B

ENGINE

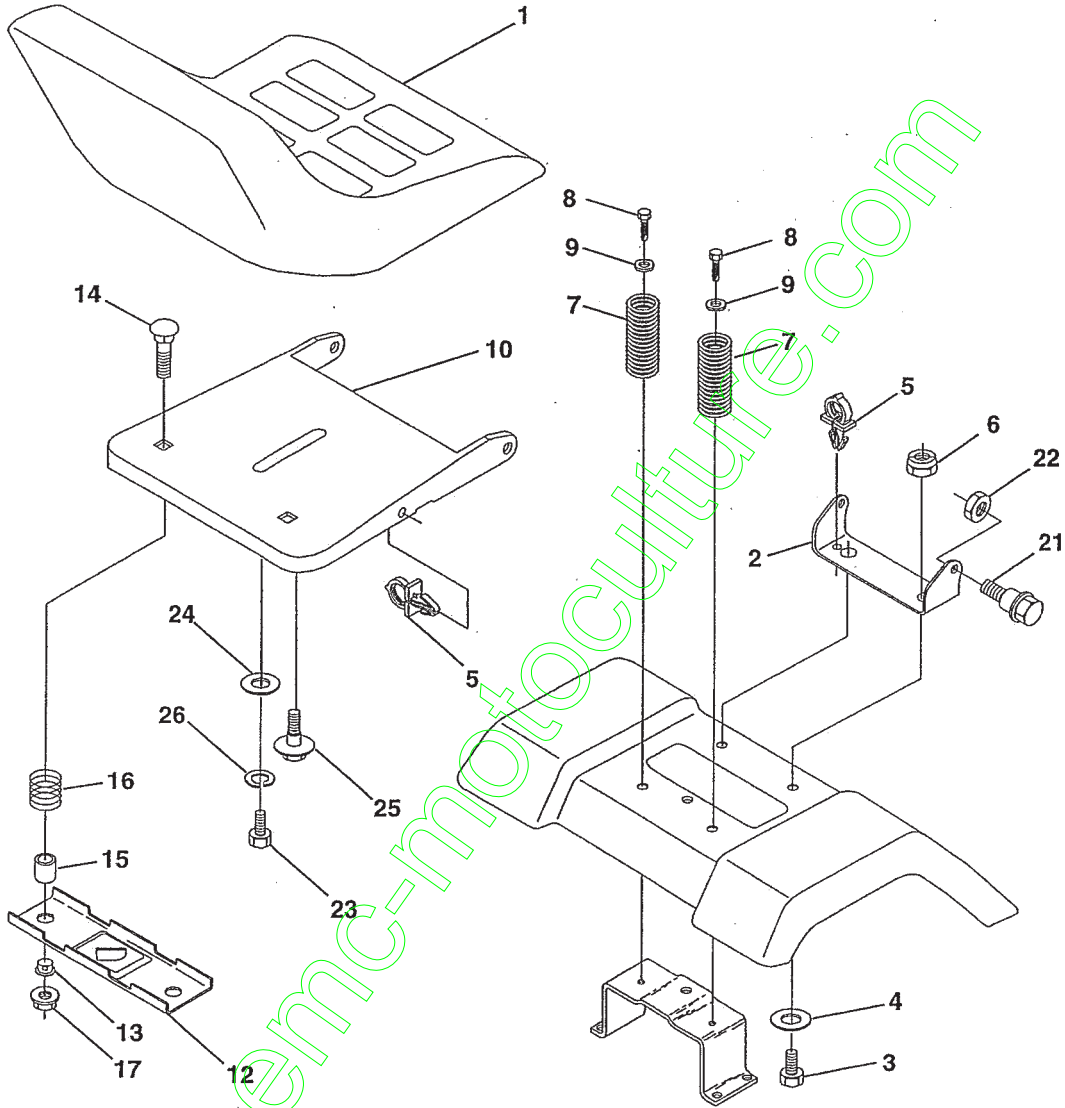
KEY NO.	PART NO.	DESCRIPTION
1	152141	Control Th/ch Flag EEC 15.1
2	17720410	Screw Hex Thd Cut 1/4-20x5/8 T
3	-----	Engine Tecumseh Model OHV130 (Order parts from engine manufacturer)
4	156700	Muffler Tec 11/13.0 HP LT
13	165291	Gasket Eng 1 313 Id Tin Plated
14	13280336	Nipple Pipe 4-1/2"
15	13200300	Elbow Std 90 Degree 3/8-18 Npt
16	11050600	Washer Lock Ext Tooth 3/8
23	169837	Shield Brn/Dbr Guard
29	137180	Kit Spark Arrestor (Flat Scrn)
31	109202X	Tank Fuel Front 2 00
32	140527	Cap Asm Fuel
33	123487X	Clamp Hose Blk
37	137040	Line Fuel
38	-----	Plug Oil Drain (Order From Engine Manufacturer)
40	124028X	Bushing Snap Nyl Blk Fuel Line
44	17490412	Screw Hexwsh Thdrol 1/4-20x3/4
46	19091416	Washer 9/32 X 7/8 X 16 Ga
62	10040500	Washer 5/16
78	17060620	Screw 3/8-16x1-1/4
81	73510400	Nut Keps Hex 1/4-20 Unc
85	123528X	Bolt Hex Hd Phillips

NOTE: All component dimensions given in U.S. inches.
1 inch = 25.4 mm.

REPAIR PARTS

TRACTOR - - MODEL NUMBER RE1338B

SEAT



KEY NO.	PART NO.	DESCRIPTION
1	127426X	Seat
2	140551	Bracket, Pivot, Seat
3	71110616	Bolt
4	19131610	Washer 13/32 x 1 x 10 Ga.
5	145006	Clip, Push-in
6	73800600	Nut
7	124181X	Spring, Seat
8	17000616	Screw, Thdrol 3/8-16 x 1-1/2
9	19131614	Washer 13/32 x 1 x 14 Ga.
10	155925	Pan, Seat
12	121246X	Bracket, Mounting, Switch, Seat
13	121248X	Bushing, Nylon

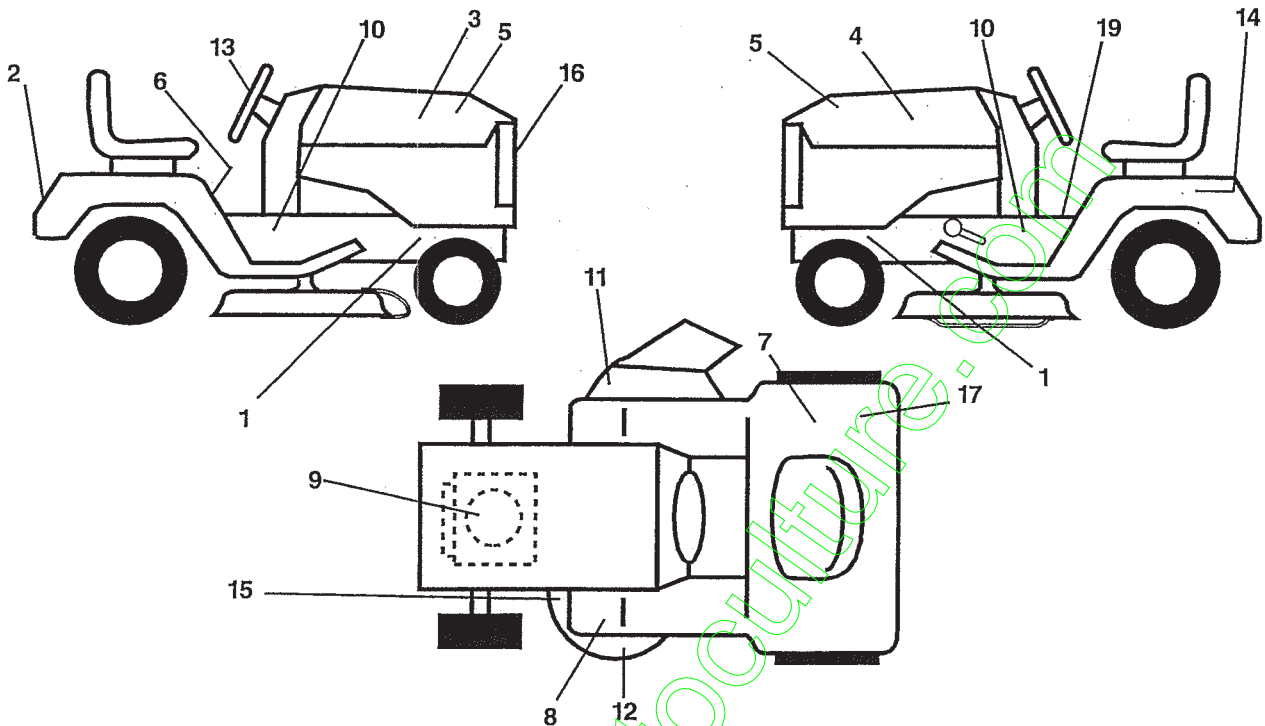
KEY NO.	PART NO.	DESCRIPTION
14	72050412	Nut, Crownlock 1/4-20 x 1-1/2
15	134300	Spacer, Split
16	121250X	Spring
17	123976X	Nut, Lock, Flange 1/4 Gr. 5
21	171852	Bolt, Shoulder 5/16-18 UNC
22	73800500	Nut
23	74780814	Bolt Fin Hex 1/2 - 13 x 7/8 Gr. 5
24	19171912	Washer 17/32 x 1-3/16 x 12 Ga.
25	127018X	Bolt Shoulder 5/16-18 x .62
26	10040800	Washer Lock Hvy Hclc Spr 1/2

NOTE: All component dimensions given in U.S. inches
1 inch = 25.4 mm

REPAIR PARTS

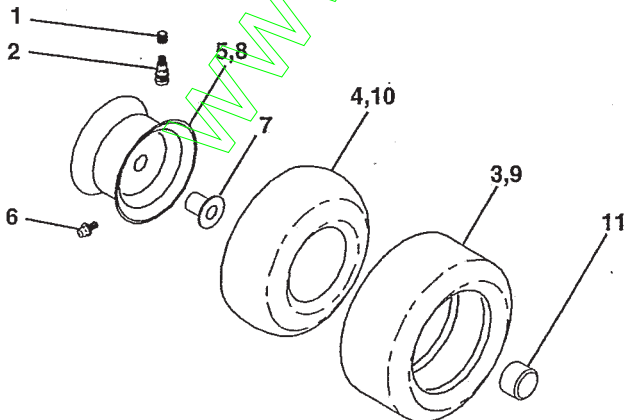
TRACTOR - - MODEL NUMBER RE1338B

DECALS



KEY NO.	PART NO.	DESCRIPTION	KEY NO.	PART NO.	DESCRIPTION
1	159736	Decal, Chassis Hot Muffler	13	127075	Decal Wheel Steering
2	170752	Decal, Fender Logo	14	145005	Decal, Battery Dan/Poi P/L Symbols
3	142308	Decal, Hood Rh	15	136832	Decal, V-Belt
4	142309	Decal, Hood Lh	16	131265	Decal Lightbox Grille Sloped
5	167611	Decal, HP Hood	17	126187X	Decal, 100 DBA
6	145498	Decal, Read Owner's Manual Syms	19	140837	Decal, Parking Brake
7	145437	Decal, Europe Stand CE	--	138311	Decal, Handle, Lift, Height Adjust (Lift Handle)
8	159737	Decal, Brake/Clutch Symbol/LT	--	162598	Decal, Drawbar Load Limit
9	64-1726-29	Decal, HP Engine	--	172163	Manual, Operator's (European)
10	127900	Decal Chassis 38"	--	172164	Manual, Operator's (Scand)
11	145494	Decal, Mower Cutting Symbol	--	172165	Manual, Repair Parts
12	135013	Decal, Enviro Deck Yellow			

TIRES AND WHEELS



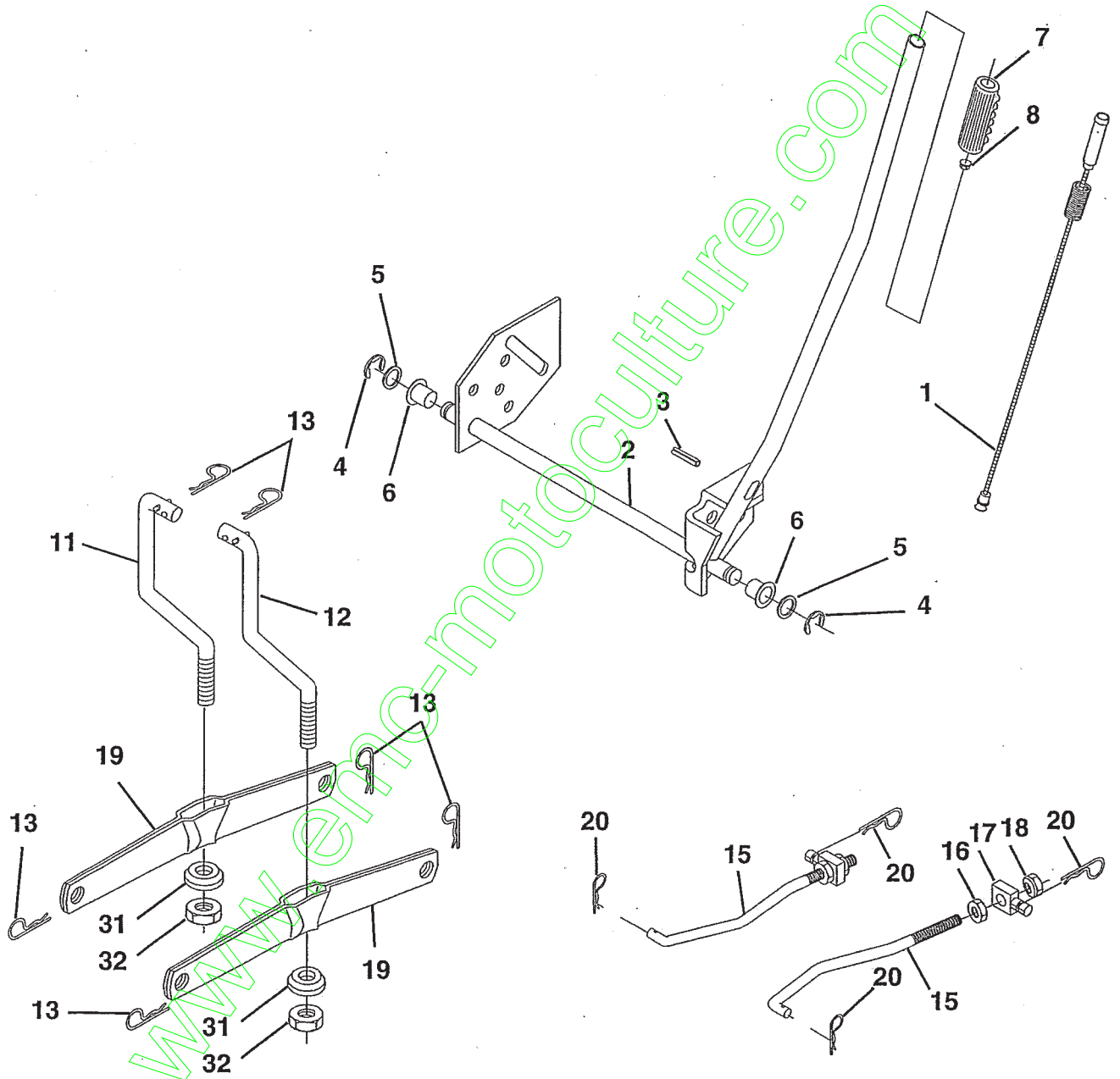
KEY NO.	PART NO.	DESCRIPTION
1	59192	Cap, Valve
2	65139	Stem, Valve
3	106222X	Tire Front
4	59904	Tube, Front (not furnished)
5	106732X427	Rim, Asm. Front
6	278H	Grease Fitting (rear tire only)
7	9040H	Bearing, Flange (front tire only)
8	106108X427	Rim, Asm. Rear
9	124635X	Tire, Rear
10	7152J	Tube, Rear (not furnished)
11	104757X	Cap, Axle
--	144334	Sealant, Tire (10 oz. Tube)

NOTE: All component dimensions given in U.S. inches
1 inch = 25.4 mm

REPAIR PARTS

TRACTOR - - MODEL NUMBER RE1338B

MOWER LIFT



REPAIR PARTS

TRACTOR - - MODEL NUMBER RE1338B

MOWER LIFT

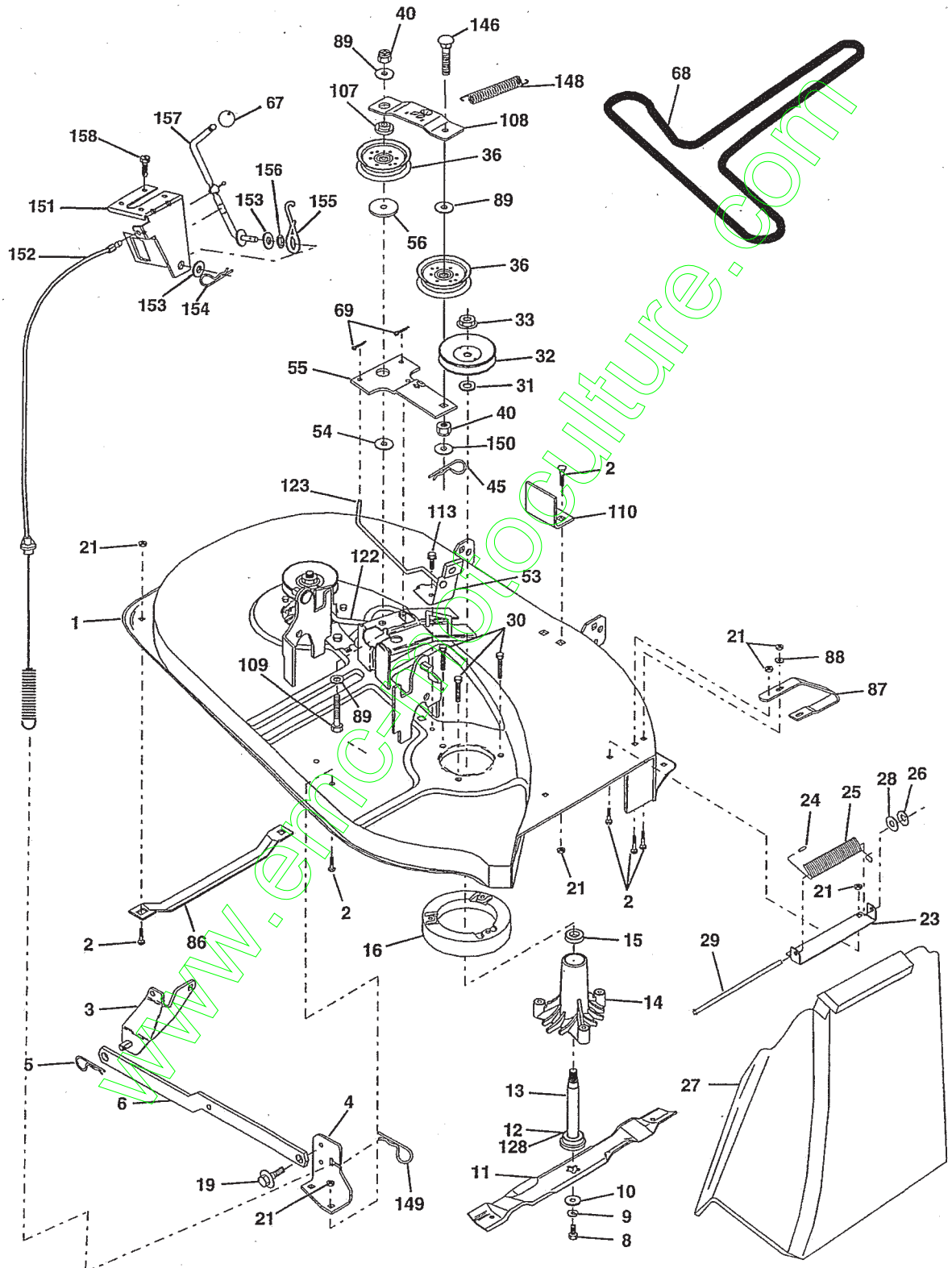
KEY NO.	PART NO.	DESCRIPTION
1	159460	Asm. Inner Wire w/Plunger
2	159474	Asm., Shaft, Lift
3	105767X	Pin, Groove
4	12000002	Ring, E #5133-62
5	19211621	Washer 21/32 x 1 x 21 Ga.
6	120183X	Bearing, Nylon
7	109413X	Grip Handle Bicycle Matte Blk
8	124526X	Button, Plunger
11	139865	Link, Lift, Lh
12	139866	Link, Lift, Rh
13	4939M	Spring, Retainer
15	167253	Link, Front
16	73350800	Nut, Jam, Hex 1/2-13 Unc
17	130171	Trunnion
18	73800800	Nut Lock w/wsh 1/2-13 Unc
19	139868	Arm, Suspension, Rear
20	163552	Spring, Retainer
31	140302	Bearing, Pvt Lift
32	73540600	Nut Crownlock 3/8-24

NOTE: All component dimensions given in U.S. inches
1 inch = 25.4 mm

REPAIR PARTS

TRACTOR - - MODEL NUMBER RE1338B

MOWER DECK



REPAIR PARTS

TRACTOR - - MODEL NUMBER RE1338B

MOWER DECK

KEY NO.	PART NO.	DESCRIPTION	KEY NO.	PART NO.	DESCRIPTION
1	170280	Deck Asm Weldment	55	133840	Arm, Idler Assembly
2	72140506	Bolt	56	165723	Spacer, Retainer
3	138017	Asm., Bar, Anti-Sway	67	106932X	Knob Rd 3/8-16 Plstc Thds Blk
4	169970	Bracket Sway Bar Deck 38/42"	68	144200	V-Belt, Mower
5	4939M	Spring, Retainer	69	76020312	Pin, Cotter 3/32 x 3/4
6	130832	Arm, Suspension, Rear	86	7631J	Runner, LH
8	850857	Bolt 3/8-24 x 1.25 Gr. 8	87	128772	Runner, RH
9	10030600	Washer, Lock	88	19111216	Washer 11/32 x 3/4 x 16 Ga.
10	140296	Washer, Hardened	89	19131612	Washer 13/32 x 1 x 12 Ga.
11	138497	Blade, Mower, Hi Lift	107	133502	Spacer, Retainer
12	129895	Bearing, Ball	108	133503	Stiffener, Idler Arm
13	137645	Asm., Shaft, Mandrel, Vented (Includes key no. 12)	109	74760640	Bolt, hex Head 3/8-16 x 2-1/2
14	128774	Housing, Mandrel, Vented	110	142587	Upstop Deck Front 38"
15	110485X	Bearing, Ball, Mandrel	113	17060512	Screw, 5/16-18 x 3/4
16	140329	Stripper, Mower	122	131289	Rod, Brake, LH
19	132827	Bolt, Shoulder	123	169971	Rod, Brake, RH
21	73680500	Nut, Crownlock 5/16 - 18 UNC	128	153390	Washer Felt
23	137607	Bracket, Deflector	146	165891	Bolt Carriage Idler
24	105304X	Cap, Sleeve	148	169022	Spring Return Idler
25	123713X	Spring, Torsion, Deflector	149	165898	Retainer Spring Yellow Zinc
26	110452X	Washer, Lock	150	19091216	Washer 9/32 x 3/4 x 16 Ga.
27	106736X428	Deflector, Shield	151	169670	Bracket Clutch Cable
28	19111016	Washer 11/32 x 5/8 x 16 Ga.	152	172758	Clutch Cable 38"/42"
29	106735X	Rod, Hinge	153	169674	Washer Flat 3/8" Type B
30	157722	Screw Hex Thdrol	154	169675	Spring Retainer
31	129963	Washer, Spacer	155	169671	Spring Retention Lvr Cltch Cab.
32	153532	Pulley, Mandrel	156	169672	Spacer Clutch Cable 3/8"
33	137266	Nut Lock 9/16	157	169669	Rod Clutch Cable 3/8"
36	131494	Pulley, Idler, Flat	158	17720410	Screw Hex Thd Cut 1/4-20 x 5/8
40	73680600	Nut, Crownlock 3/8 - 16 UNC	--	130794	Asm. Mandrel (includes key nos. 8-10, 12-15, 31 and 33)
45	4497H	Retainer Spring 1: Zinc/Cad	--	170317	Mower Deck, Complete
53	130840	Brake Assembly			
54	133943	Washer, Hardened			

NOTE: All component dimensions given in U.S. inches
1 inch = 25.4 mm