



REPAIR PARTS MANUAL
MODEL NO. RL12536TA
Lawn Tractor

Rally

HOW TO USE THIS MANUAL

This manual is designed to provide the customer with a means to identify the parts on his/her tractor when ordering repair parts. The illustrations may or may not represent the actual assemblies; therefore, it is not recommended to use this manual as a guide to assemble or disassemble the tractor. Some hardware and parts are drawn larger in order to more readily identify them.

Each tractor has its own model number.

The model number for your tractor can be found on the fender under the seat.

When ordering parts, always give the following information:

- Product - "Tractor"
- Model Number - "RL12536TA"
- Part Number
- Part Description

SPECIFICATIONS

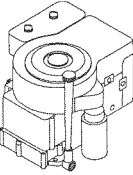
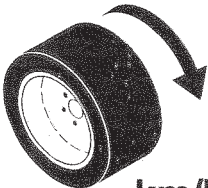
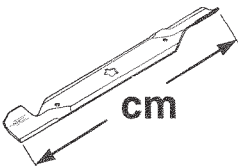
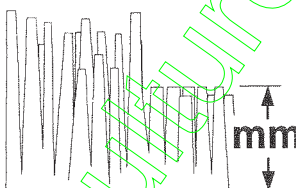

 hp/kw	 km/h	 cm	 mm	 KG	dB (A)
12,5/9,3	0-6	91	25-89	205	100

TABLE OF CONTENTS

DASH	9
DECALS	22
ENGINE/THROTTLE	14
ELECTRICAL	4-5
FENDER/CHASSIS	7
FRONT AXLE	12
GROUND DRIVE	15
HOOD	6
MOWER LIFT LEVER	17
MOWER DECK	18-19
BRAKE/REAR MOWER LIFT ASSEMBLY	13
SEAT	8
SECTOR GEAR/AXLE SUPPORT	11
STEERING WHEEL	10
TRANSAXLE	16, 20-21

LIMITED WARRANTY
DANA CORPORATION
Spicer-Off-Highway Axle Division
Fredericktown, OH 43019

Dana Corporation, Spicer-Off-Highway Axle Division, will at its option, replace or repair without charge to the original purchaser for materials or labor, any part or parts manufactured by it and found upon examination to be DEFECTIVE IN MATERIAL AND OR WORKMANSHIP, if received for examination within TWO YEARS* from the date of original purchase.

All transportation charges on and damage or loss incurred in connection with the transportation of parts submitted for replacement or repair under this LIMITED WARRANTY shall be borne by the purchaser.

The EXPRESSED WARRANTY contained herein shall not apply to any damage resulting from accident, abuse, or neglect. Nor will this LIMITED WARRANTY apply to damage resulting from failure to follow the manufacturer's instructions for operation and maintenance nor from improper selection of a particular application.

The foregoing EXPRESSED WARRANTY IS IN LIEU OF ALL OTHER EXPRESSED WARRANTIES. Dana Corporation, Spicer-Off-Highway Axle Division, neither assumes nor authorizes any other persons, natural or corporate, to assume for it any obligations or liability in connection with or with respect to any parts covered hereunder.

DANA CORPORATION, SPICER-OFF-HIGHWAY AXLE DIVISION, HEREBY DISCLAIMS ANY AND ALL IMPLIED WARRANTIES, INCLUDING, BUT NOT LIMITED TO WARRANTIES OF MERCHANTABILITY AND FITNESS FOR ANY PARTICULAR PURPOSE, TO THE EXTENT THAT SUCH DISCLAIMER IS NOT FORBIDDEN BY ANY APPLICABLE LAW. ANY IMPLIED WARRANTIES, INCLUDING BUT NOT LIMITED TO WARRANTIES OF MERCHANTABILITY AND FITNESS FOR ANY PARTICULAR PURPOSE WHICH DANA CORPORATION, SPICER-OFF-HIGHWAY AXLE DIVISION, IS SO FORBIDDEN TO DISCLAIM BY ANY APPLICABLE LAW, ARE LIMITED TO THE PERIODS OF THE EXPRESSED WARRANTY. DANA CORPORATION, SPICER-OFF-HIGHWAY AXLE DIVISION, SHALL IN NO EVENT BE LIABLE FOR ANY CONSEQUENTIAL, INCIDENTAL OR SPECIAL DAMAGES AND OR EXPENSES.

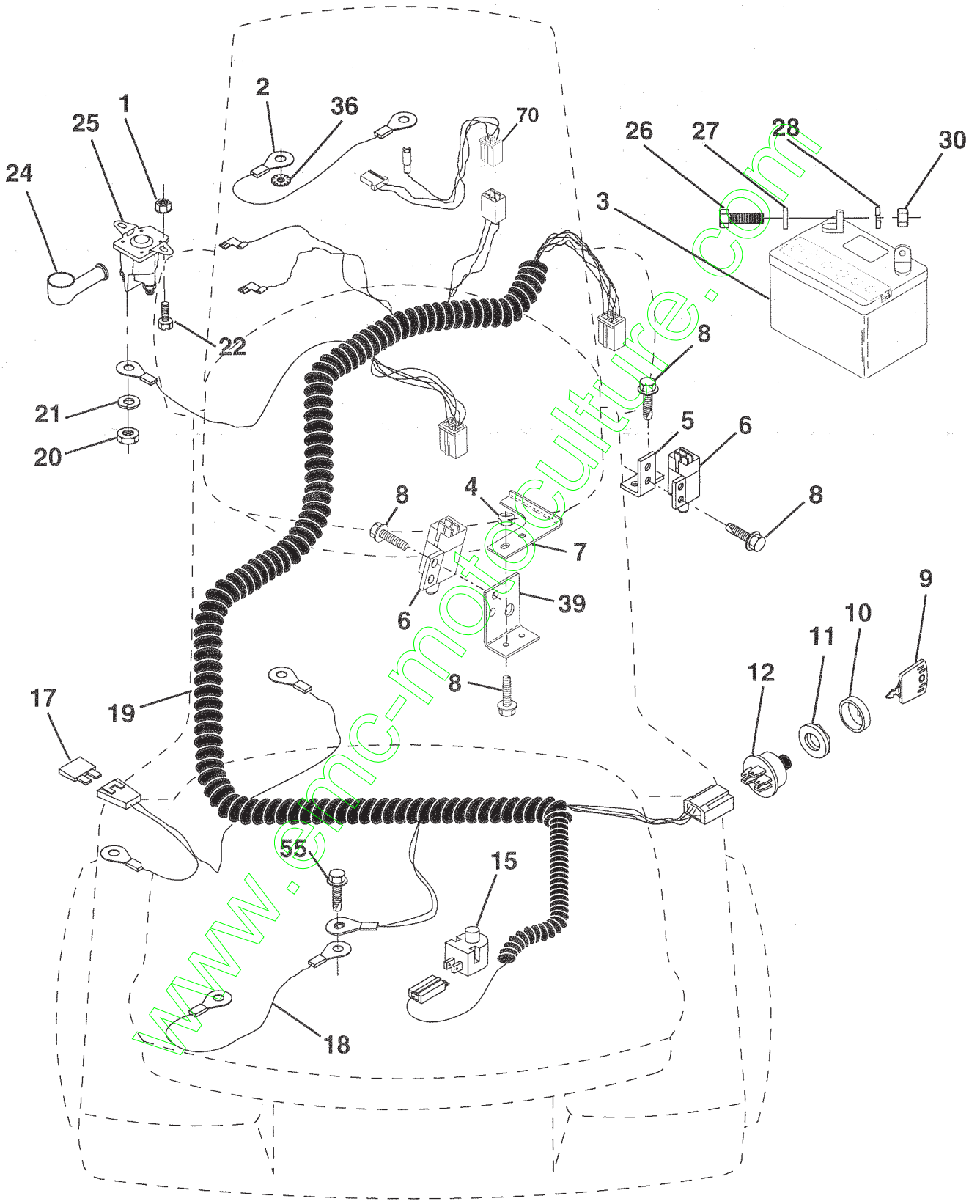
Some states do not allow limitations on warranties so the above limitation may not apply to you. This Warranty gives you specific legal rights, and you may also have other rights which vary from state to state.

This warranty does not cover transmission units used for commercial purposes.

REPAIR PARTS

TRACTOR -- MODEL NUMBER RL12536TA

ELECTRICAL



REPAIR PARTS

TRACTOR -- MODEL NUMBER RL12536TA

ELECTRICAL

KEY NO.	PART NO.	DESCRIPTION
1	73640400	Nut, Hex, Keps 1/4-20
2	4560J	Assembly, Cable
3	146138	Battery
4	69180	Nut Lock #10-24 UNC
5	108236X	Bracket, Switch
6	109553X	Switch, Interlock, 4 Terminal
7	141736	Switch Actuator
8	17021008	Screw, Hex Head, Self-Tapping #10-24 x 1/2
9	140401	Key, Steel
10	141226	Cover, Ignition Key
11	140400	Nut, Ignition
12	144921	Switch, Ignition
15	121305X	Switch, Plunger
17	108824X	Fuse
18	128353	Assembly, Cable
19	146063	Harness, Ignition
20	73350400	Nut, Hex, Jam 1/4-20
21	10090400	Washer, Lock 1/4
22	71110408	Bolt, Hex, Fin. 1/4-20 UNC x 1/2 Grade 5
24	131563	Cover, Terminal
25	145673	Solenoid
26	74760412	Bolt, Hex Head 1/4-20 UNC x 3/4
27	19091016	Washer 9/32 x 5/8 x 16 Gauge
28	10040400	Washer, Lock 1/4
30	73220400	Nut, Hex, Fin. 1/4-20 UNC
36	11150400	Washer, Lock, Internal Tooth 1/4
39	141735	Bracket Switch Clutch
55	17490508	Screw, Thdrol
70	140413	Harness Engine

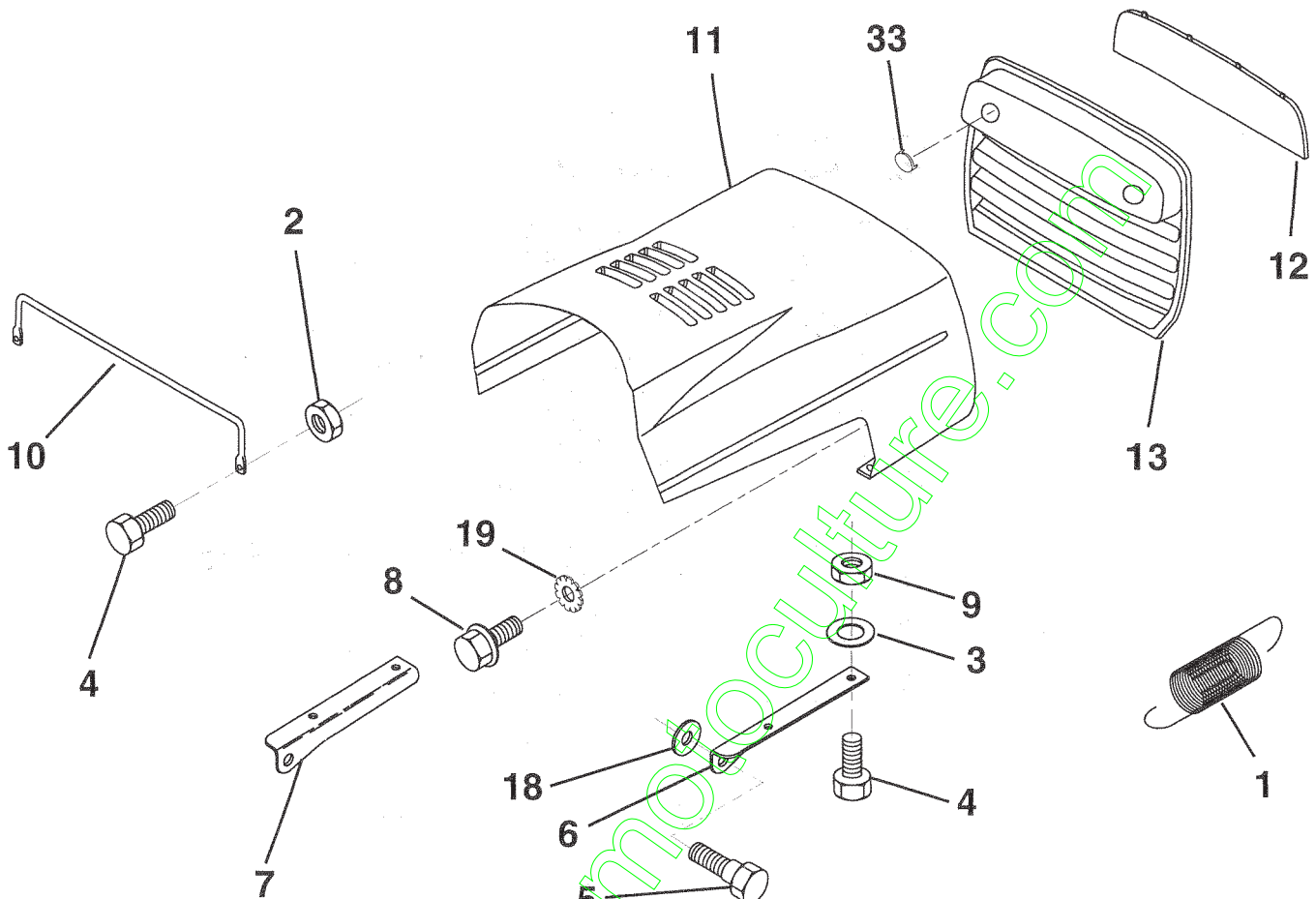
NOTE: All component dimensions given in U.S. inches
1 inch = 25.4 mm

HARDWARE SHOWN LARGER FOR EASIER IDENTIFICATION

REPAIR PARTS

TRACTOR -- MODEL NUMBER RL12536TA

HOOD



KEY NO.	PART NO.	DESCRIPTION
1	124657X	Spring, Extension
2	73640400	Nut, Hex, Keps 1/4-20 UNC
3	19091416	Washer 9/32 x 7/8 x 16 Ga.
4	74780412	Bolt, Hex, Fin 1/4-20 x 3/4 Grade 5
5	139888	Bolt, Shoulder
6	122549X	Bracket, Hood, R.H.
7	122548X	Bracket, Hood, L.H.
8	17521310	Screw, Sltd. Hex Hd. W/Pl. Washer
9	73800400	Nut, Lock W/Insert 1/4-20

KEY NO.	PART NO.	DESCRIPTION
10	123693X	Brace, Hood
11	132918X505	Hood
12	122035X	Lens
13	127029X	Grill
18	19111116	Washer 11/32 x 11/16 x 16 Ga.
19	11030400	Washer, Lock Ext/Int Tooth 1/4
33	131319	Plug socket

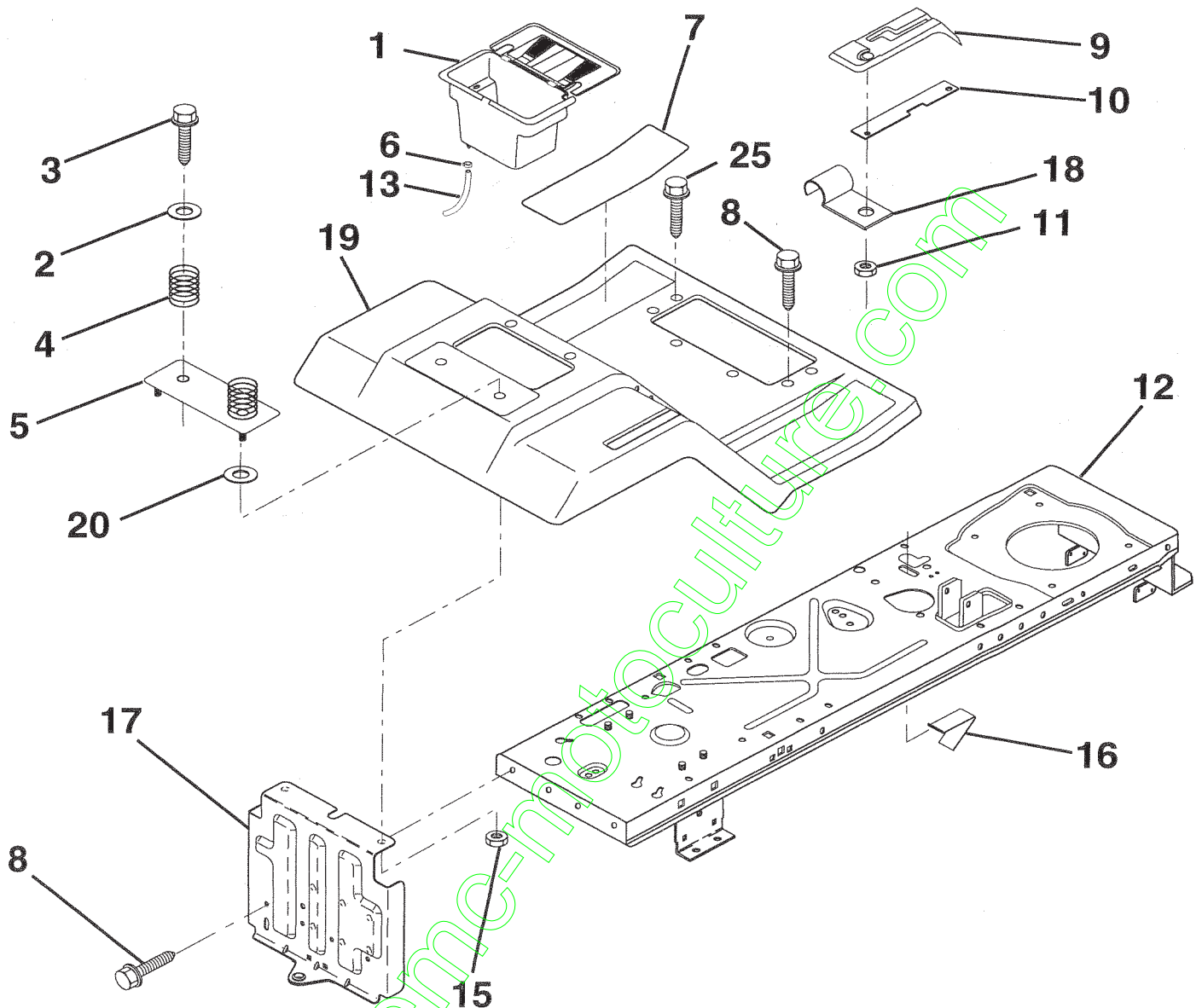
NOTE: All component dimensions given in U.S. inches.
1 inch = 25.4 mm.

HARDWARE SHOWN LARGER FOR EASIER IDENTIFICATION

REPAIR PARTS

TRACTOR -- MODEL NUMBER RL12536TA

FENDER / CHASSIS



KEY NO.	PART NO.	DESCRIPTION
1	144940	Case, Battery
2	19132012	Washer 13/32 x 1-1/4 x 12 Gauge
3	17490612	Screw, Hex Washer Head, Thd. Roll. 3/8-16 x 3/4
4	124181X	Spring, Compression, Seat
5	127115X505	Plate, Battery
6	109596X	Clamp, Hose
7	124144X	Pad, Footrest
8	17490512	Screw, Hex Washer Head, Thd. Roll. 5/16-18 x 3/4
9	126994X	Console, Shift Control
10	139783	Bar, Shift Lock

KEY NO.	PART NO.	DESCRIPTION
11	124346X	Nut, Self-Threading 3/16
12	145190	Chassis Assembly, Weldment
13	109238X	Tube, Battery Drain
15	73640400	Nut, Hex, Keps 1/4-20
16	141736	Switch, Actuator
17	140782	Drawbar
18	126470X	Clip, Insulated
19	140955X505	Fender/Footrest
20	19091413	Washer 9/32 x 7/8 x 13 Gauge
25	17190516	Scr.-Hx Wsh Thd Rol 5/16 - 18 x 1T

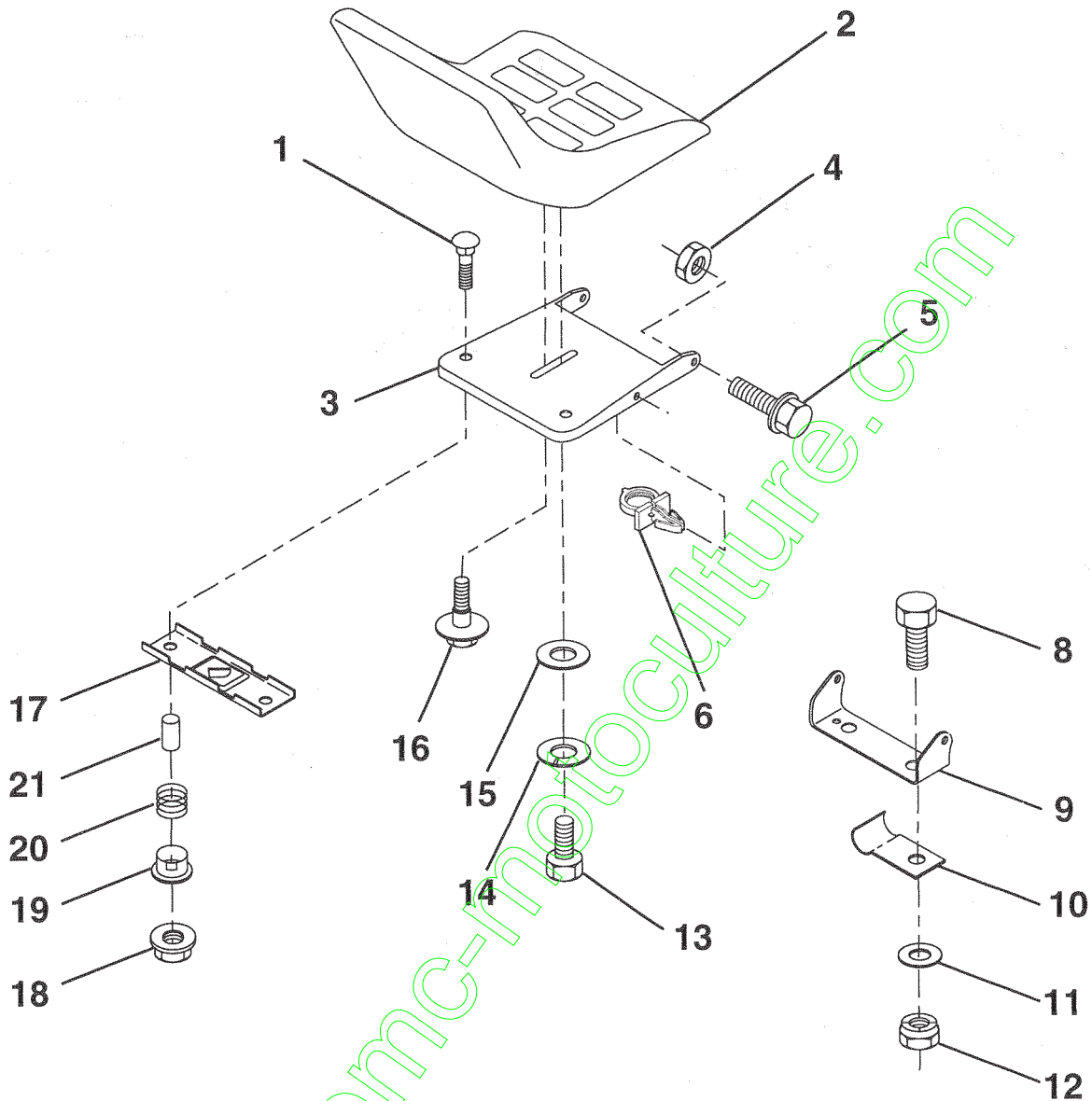
NOTE: All component dimensions given in U.S. inches.
1 inch = 25.4 mm.

HARDWARE SHOWN LARGER FOR EASIER IDENTIFICATION

REPAIR PARTS

TRACTOR - - MODEL NUMBER RL12536TA

SEAT



KEY NO.	PART NO.	DESCRIPTION
1	72050411	Bolt, Carriage 1/4-20 x 1-3/8
2	134647	Seat
3	140552	Pan, Seat
4	73800500	Nut, Lock Hex W/Ins. 5/16-18
5	139888	Bolt, Shld. 5/16-18
6	145006	Clip, Push-In
8	74760616	Bolt, Hex, Fin 3/8-16 UNC x 3/4
9	140551	Bracket, Pivot, Seat
10	126471X	Clip, Insulated
11	19133210	Washer 13/32 x 2 x 10 Gauge

KEY NO.	PART NO.	DESCRIPTION
12	73800600	Nut, Lock Hex W/Wsh 3/8-16
13	74780814	Bolt, Fin Hex 1/2 - 13 x 7/8 Gr. 5
14	10040800	Washer Lock Hvy HLCL Spr. 1/2
15	19171912	Washer 17/32 x 13/16 x 12 Gauge
16	127018X	Bolt, Shoulder
17	121246X	Bracket, Switch, Mounting
18	123976X	Locknut, Hex, Large, Flange
19	121248X	Bushing, Snap
20	121250X	Spring, Compression
21	134300	Spacer, Split, Large .28 Id. x .96

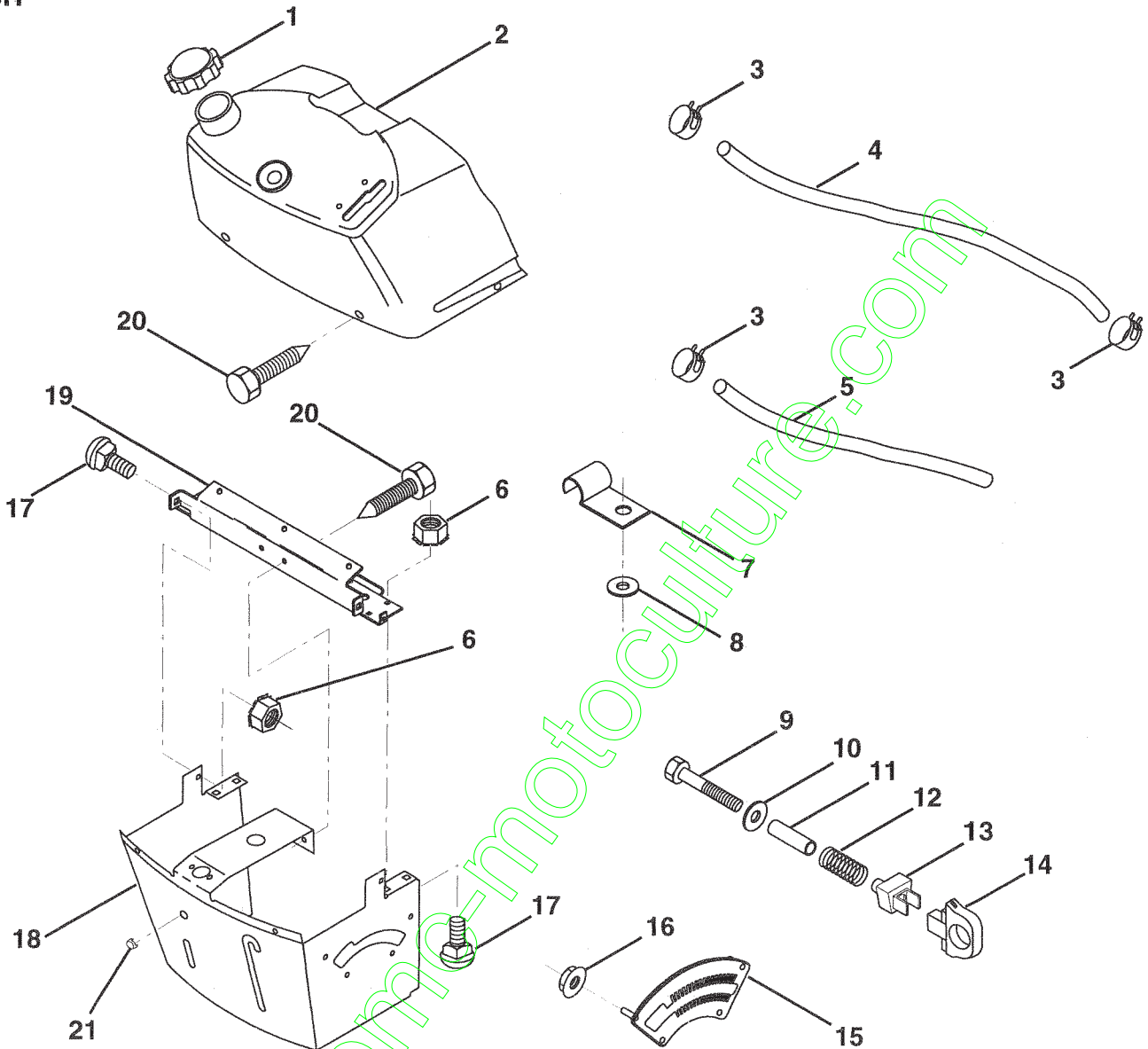
NOTE: All component dimensions given in U.S. inches.
1 inch = 25.4 mm.

HARDWARE SHOWN LARGER FOR EASIER IDENTIFICATION

REPAIR PARTS

TRACTOR -- MODEL NUMBER RL12536TA

DASH



KEY NO.	PART NO.	DESCRIPTION
1	141523	Cap, Fuel
2	138393	Assembly, Dash & Fuel Tank
3	123487X	Clamp, Hose
4	8544R	Line, Fuel
5	8548R	Line, Fuel
6	73640400	Nut, Hex, Keps 1/4-20
7	2751R	Clip, Fuel Line
8	19091216	Washer 9/32 x 3/4 x 16 Gauge
9	74760428	Bolt, Hex, Fin. 1/4-20 x 1-3/4
10	19091413	Washer 11/32 x 11/16 x 16 Gauge
11	121249X	Spacer, Split

KEY NO.	PART NO.	DESCRIPTION
12	3720R	Spring
13	126450X	Clip, Height Adjustment
14	126115X	Knob, Height Stop
15	122023X	Adjustment, Quadrant Height
16	124346X	Nut, Self-Threading 3/16-18
17	72110404	Bolt, Carriage 1/4-20 x 1/2 Grade 5
18	130745	Support Assembly, Dash
19	134744	Brace, Cross
20	17060408	Screw, Tap 1/4-20 x 1/2
21	134014	Plug, Dome

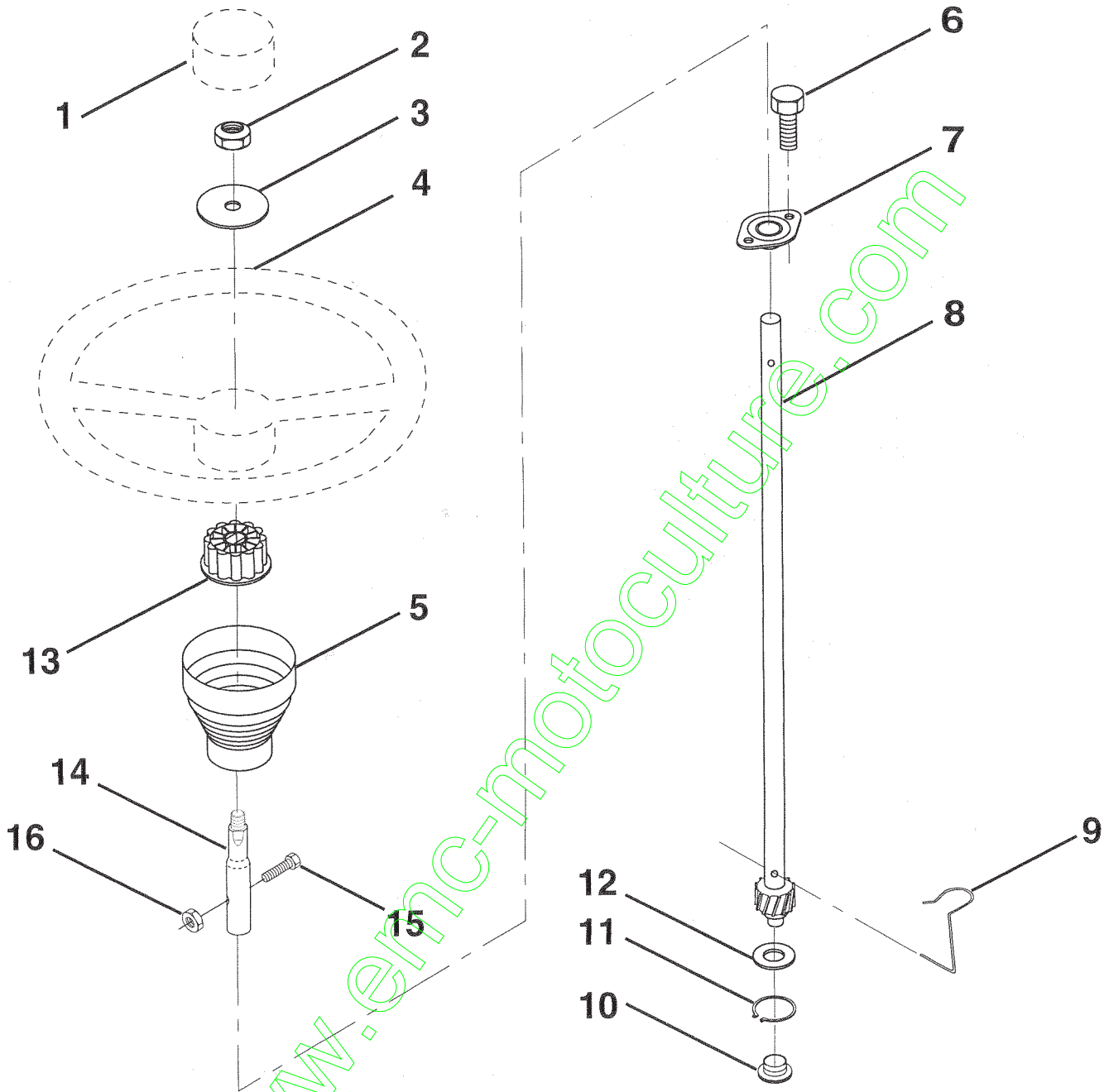
NOTE: All component dimensions given in U.S. inches.
1 inch = 25.4 mm.

HARDWARE SHOWN LARGER FOR EASIER IDENTIFICATION

REPAIR PARTS

TRACTOR -- MODEL NUMBER RL12536TA

STEERING WHEEL



KEY NO.	PART NO.	DESCRIPTION
1	133742	Insert, Steering Wheel
2	7810H	Locknut 3/8-24 UNF
3	19133808	Washer 13/32 x 2-3/8 x 8 Ga.
4	133741	Wheel, Steering
5	121897X	Sleeve, Steering
6	17431008	Screw, Hex Self-Tapping #10-16 x 1/2
7	102803X	Bushing, Steering
8	147391	Shaft, Steering

KEY NO.	PART NO.	DESCRIPTION
9	124210X	Clip, Steering
10	123438X	Bushing, Lower, Steering
11	12000045	Ring, Retaining
12	19211616	Washer 21/32 x 1 x 16 Ga.
13	104820X	Adaptor, Steering Wheel
14	147392	Extension Shaft Steering
15	74780520	Bolt Fin Hex 5/16-18unc x 1-1/4
16	73800500	Nut Lock Hex W/Ins 5/16-18unc

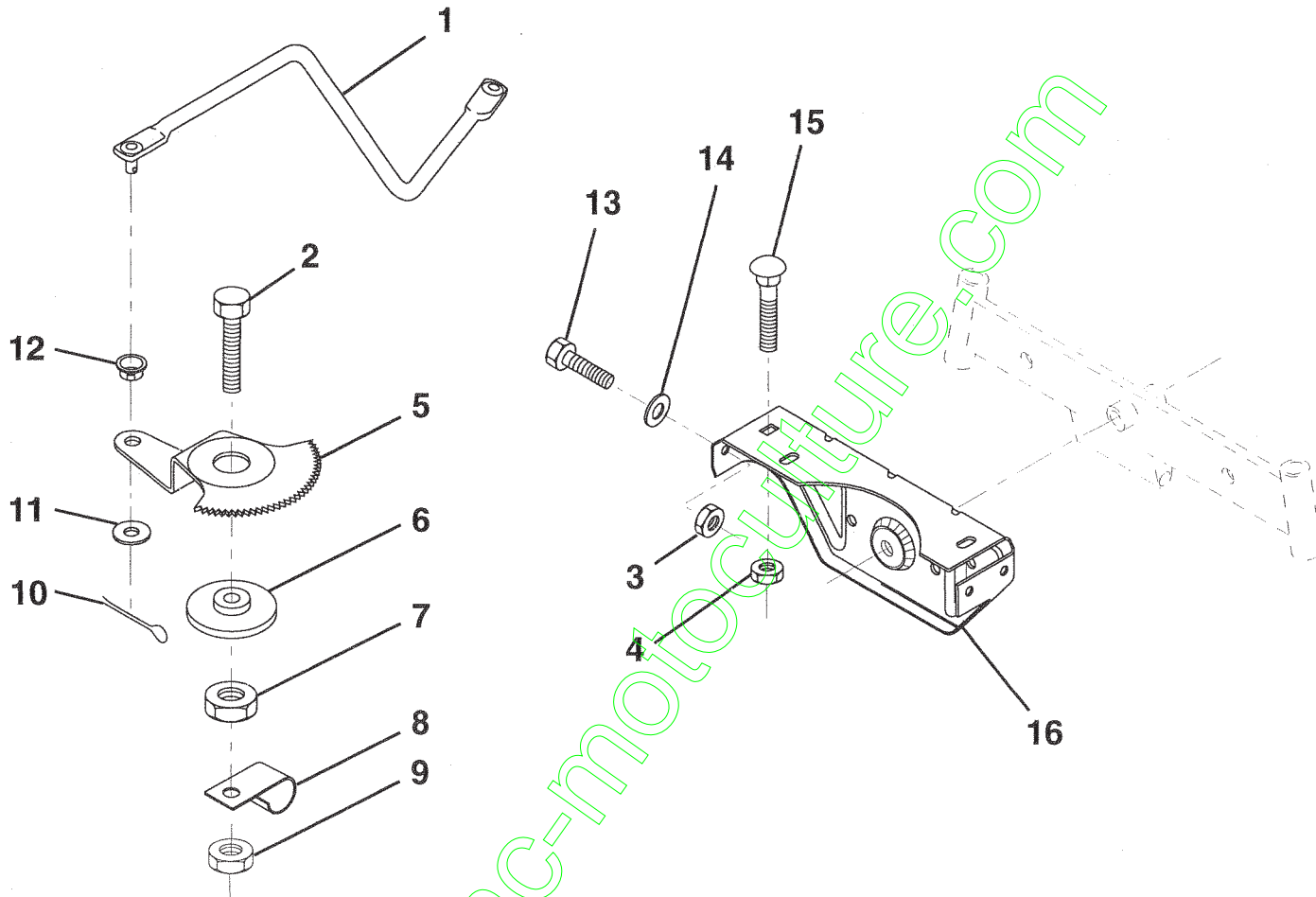
NOTE: All component dimensions given in U.S. inches.
1 inch = 25.4 mm.

HARDWARE SHOWN LARGER FOR EASIER IDENTIFICATION

REPAIR PARTS

TRACTOR -- MODEL NUMBER RL12536TA

SECTOR GEAR / AXLE SUPPORT



KEY NO.	PART NO.	DESCRIPTION
1	132566	Link, Drag
2	74780828	Bolt, Hex, Fin 1/2-13 x 1-3/4
3	73680500	Nut, Crownlock 5/16-18
4	73680600	Nut, Crownlock 3/8-16 UNC
5	121926X	Gear, Sector
6	121927X	Bushing
7	73030800	Nut, Heavy, Hex, Top Lock 1/2-13 UNC
8	126472X	Clip, Wire

KEY NO.	PART NO.	DESCRIPTION
9	73680800	Nut, Crownlock 1/2-13
10	76020412	Pin, Cotter 1/8 x 3/4
11	19131316	Washer 13/32 x 13/16 x 16 Ga.
12	126847X	Bushing
13	74760512	Bolt, Hex 5/16-18 x 3/4
14	19111416	Washer 11/32 x 7/8 x 16 Ga.
15	72110606	Bolt, Carriage 3/8-16 UNC x 3/4
16	137096	Support, Front Axle

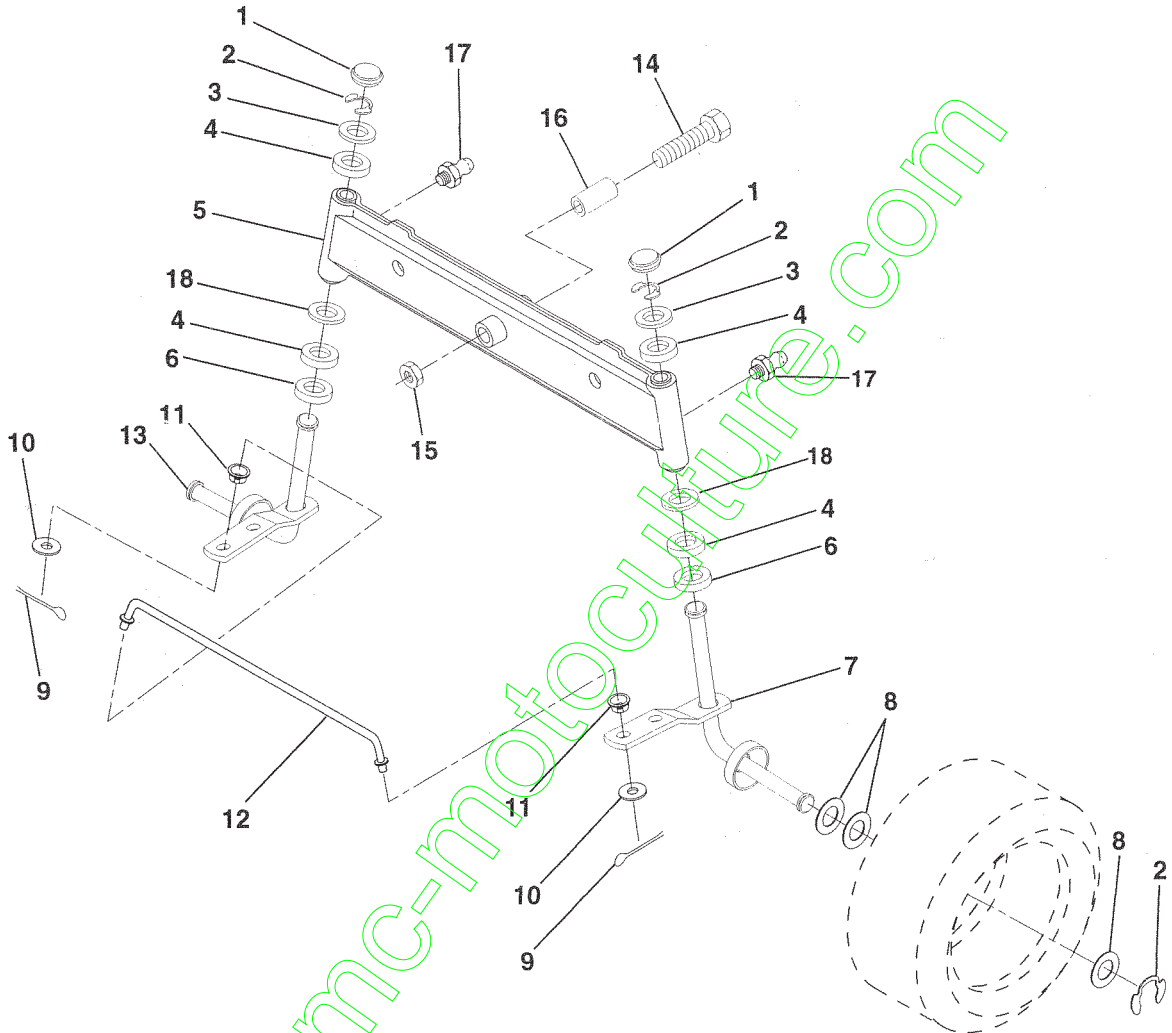
NOTE: All component dimensions given in U.S. inches.
1 inch = 25.4 mm.

HARDWARE SHOWN LARGER FOR EASIER IDENTIFICATION

REPAIR PARTS

TRACTOR -- MODEL NUMBER RL12536TA

FRONT AXLE



KEY NO.	PART NO.	DESCRIPTION
1	121232X	Cap, Spindle
2	12000029	Ring, Klip
3	121748X	Washer 25/32 x 1-5/8 x 16 Gauge
4	3366R	Bearing
5	142033	Axle, Front
6	6266H	Bearing, Thrust
7	137062	Spindle Assembly, R.H.
8	121749X	Washer 25/32 x 1-1/4 x 16 Gauge
9	76020412	Pin, Cotter 1/8 x 3/4
10	19131316	Washer 13/32 x 13/16 x 16 Gauge

KEY NO.	PART NO.	DESCRIPTION
11	126847X	Bushing
12	130465	Rod, Tie
13	137061	Spindle Assembly, L.H.
14	74011056	Bolt, Hex 5/8-11 x 3-1/2
15	73901000	Nut, Lock Flange 5/8-11
16	110438X	Spacer
17	6855M	Fitting, Grease
18	19272016	Washer 27/32 x 1-1/4 x 16 Ga.

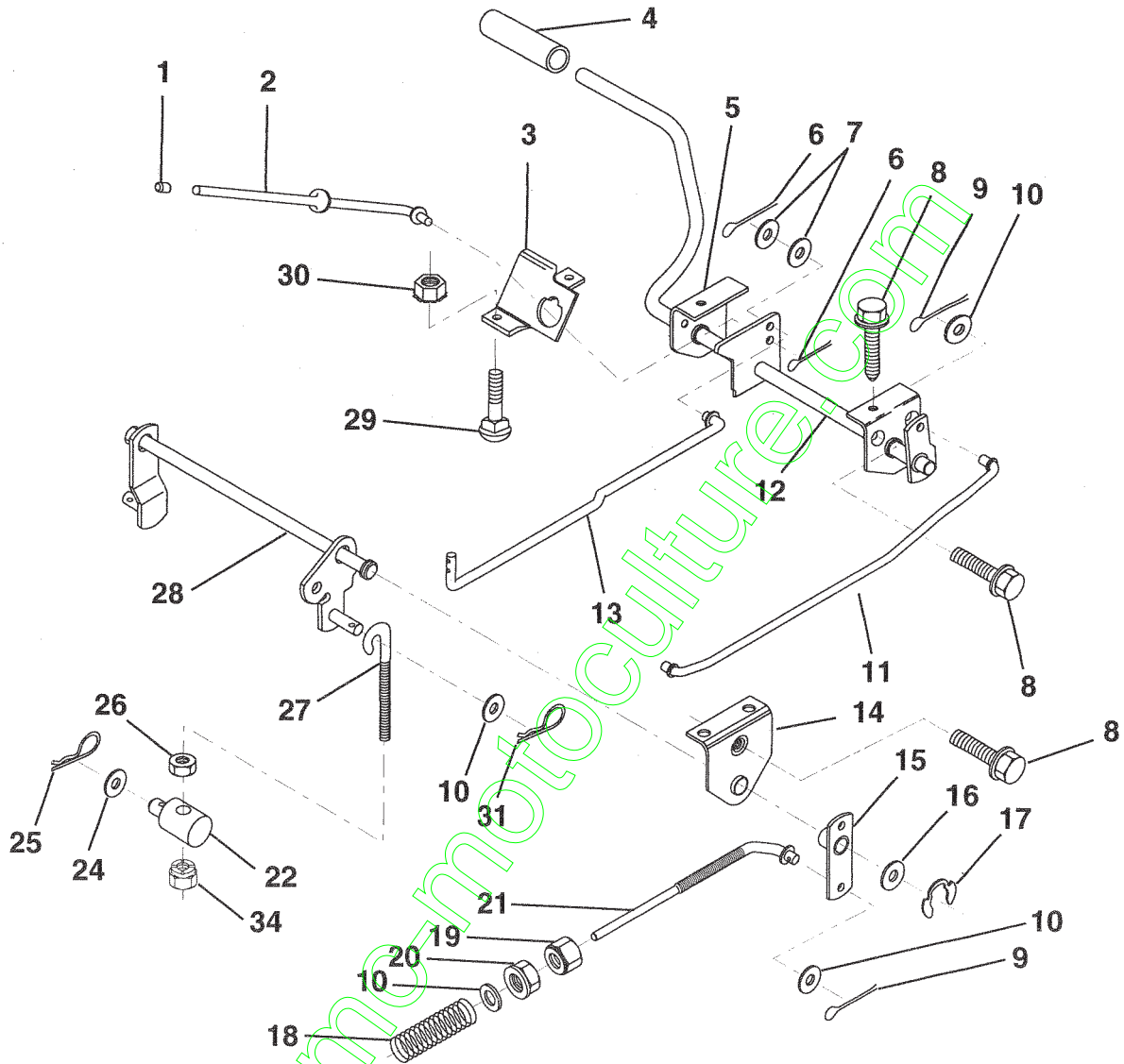
NOTE: All component dimensions given in U.S. inches.
1 inch = 25.4 mm.

HARDWARE SHOWN LARGER FOR EASIER IDENTIFICATION

REPAIR PARTS

TRACTOR -- MODEL NUMBER RL12536TA

BRAKE/REAR MOWER LIFT ASSEMBLY



KEY NO.	PART NO.	DESCRIPTION	KEY NO.	PART NO.	DESCRIPTION
1	71673	Cap, Parking Brake	17	12000034	Ring, Klip
2	123436X	Rod, Parking Brake	18	151332	Spring, Brake Rod
3	123437X	Bracket, Parking Brake	19	73350600	Nut, Hex, Jam 3/8-16 UNC
4	8156H	Cover, Pedal	20	73800600	Nut Lock Hex W/Ins 3/8-16 UNC
5	122504X	Bracket, Pedal, Clutch LH	21	131460	Rod, Rear Brake
6	76020312	Pin, Cotter 3/32 x 3/4	22	144585	Trunnion, Lift
7	19131016	Washer 13/32 x 5/8 x 16 Gauge	24	19132012	Washer 13/32 x 1-1/4 x 12 Gauge
8	17490508	Screw, Hex, Thd. Roll. 5/16-18 x 1/2	25	4921H	Spring, Retainer
9	76020412	Pin, Cotter 1/8 x 3/4	26	73930600	Nut, Centerlock 3/8-16 UNC
10	19131316	Washer 13/32 x 13/16 x 16 Gauge	27	127369	Link, Threaded
11	123543X	Rod, Front Brake	28	140776	Assembly, Rear Mower Lift
12	139933	Assembly, Clutch/Brake Pedal	29	72110506	Bolt, Carriage 5/16-18 UNC x 3/4
13	123394X	Rod, Clutch	30	73510500	Nut, Keps 5/16-18 UNC
14	121978X	Bracket, Lift, Shaft	31	3146R	Retainer spring
15	133332	Assembly, Brake, Pivot, Arm	34	73680600	Crownlock, Nut 3/8-16
16	19251816	Washer 25/32 x 1-1/8 x 16 Gauge			

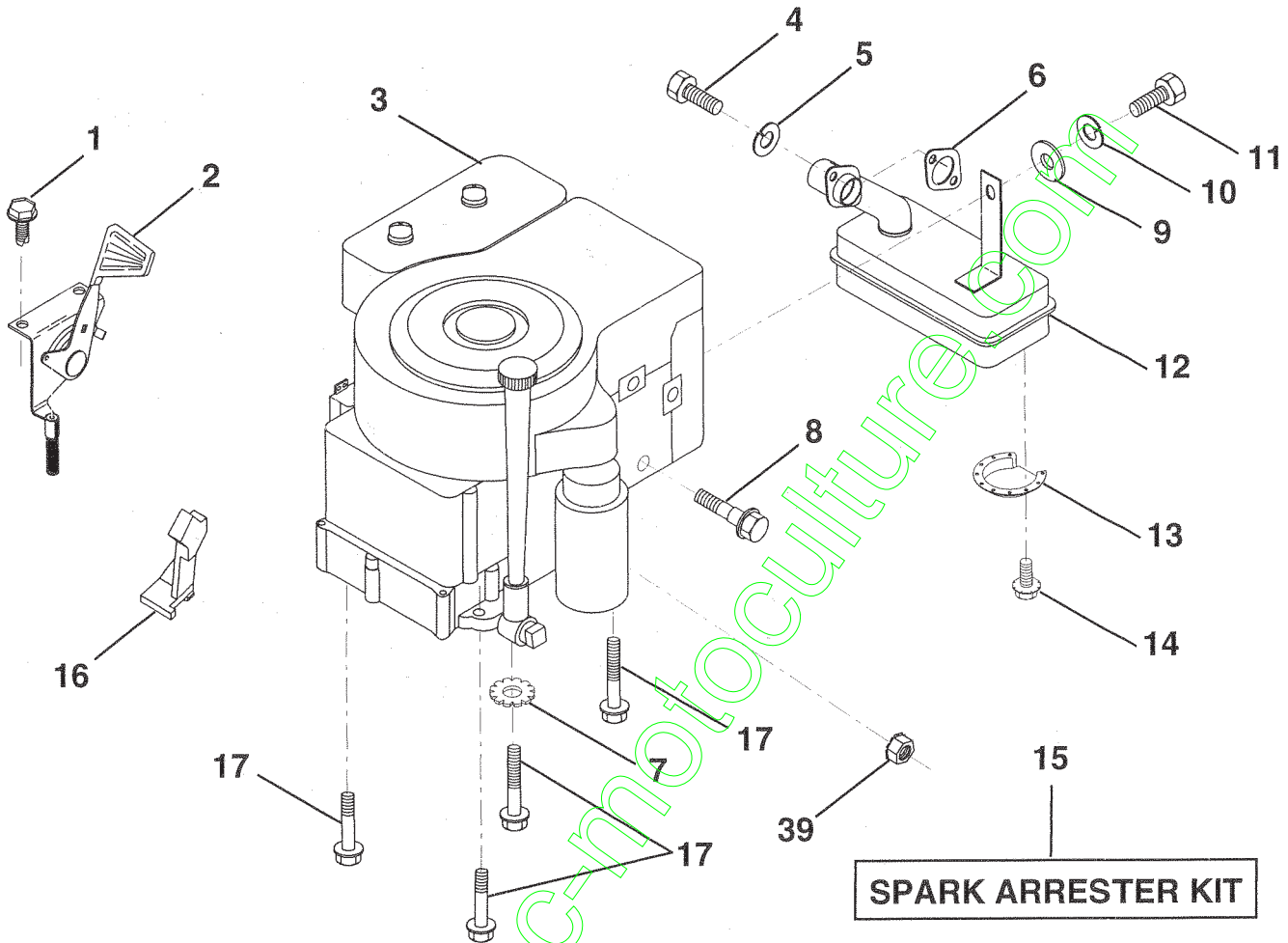
NOTE: All component dimensions given in U.S. inches.
1 inch = 25.4 mm.

HARDWARE SHOWN LARGER FOR EASIER IDENTIFICATION

REPAIR PARTS

TRACTOR - - MODEL NUMBER RL12536TA

ENGINE / THROTTLE



KEY NO.	PART NO.	DESCRIPTION	KEY NO.	PART NO.	DESCRIPTION
1	17060408	Screw, Hex, Thread Cutting 1/4-20 x 1/2	10	10040400	Washer, Lock, Heavy Helical Spring 1/4
2	133025	Control, Throttle	11	74760412	Bolt, Hex, Fin 1/4-20 x 3/4
3	136099	Engine, Tec 12.5 HP, Model #OHV125	12	138032	Muffler
4	71070512	Screw, Hex Hd	13	101326L	Deflector Muffler
5	10040500	Washer, Lock, Heavy Helical Spring 5/16	14	17030808	Screw Spiderlock
6	272293	Gasket, Exhaust	15	137180	Kit, Spark Arrester (Optional)
7	11050600	Washer lock ext tooth	16	136382	Stop, Choke
8	81328	Bolt, Shoulder 1/4-20 UNC	17	17490624	Screw, Hex Washer Head, Thd. Roll. 3/8-16 x 1-1/2
9	19101216	Washer 5/16 x 3/4 x 16 Gauge	39	128861	Nut, Flange 1/4-20

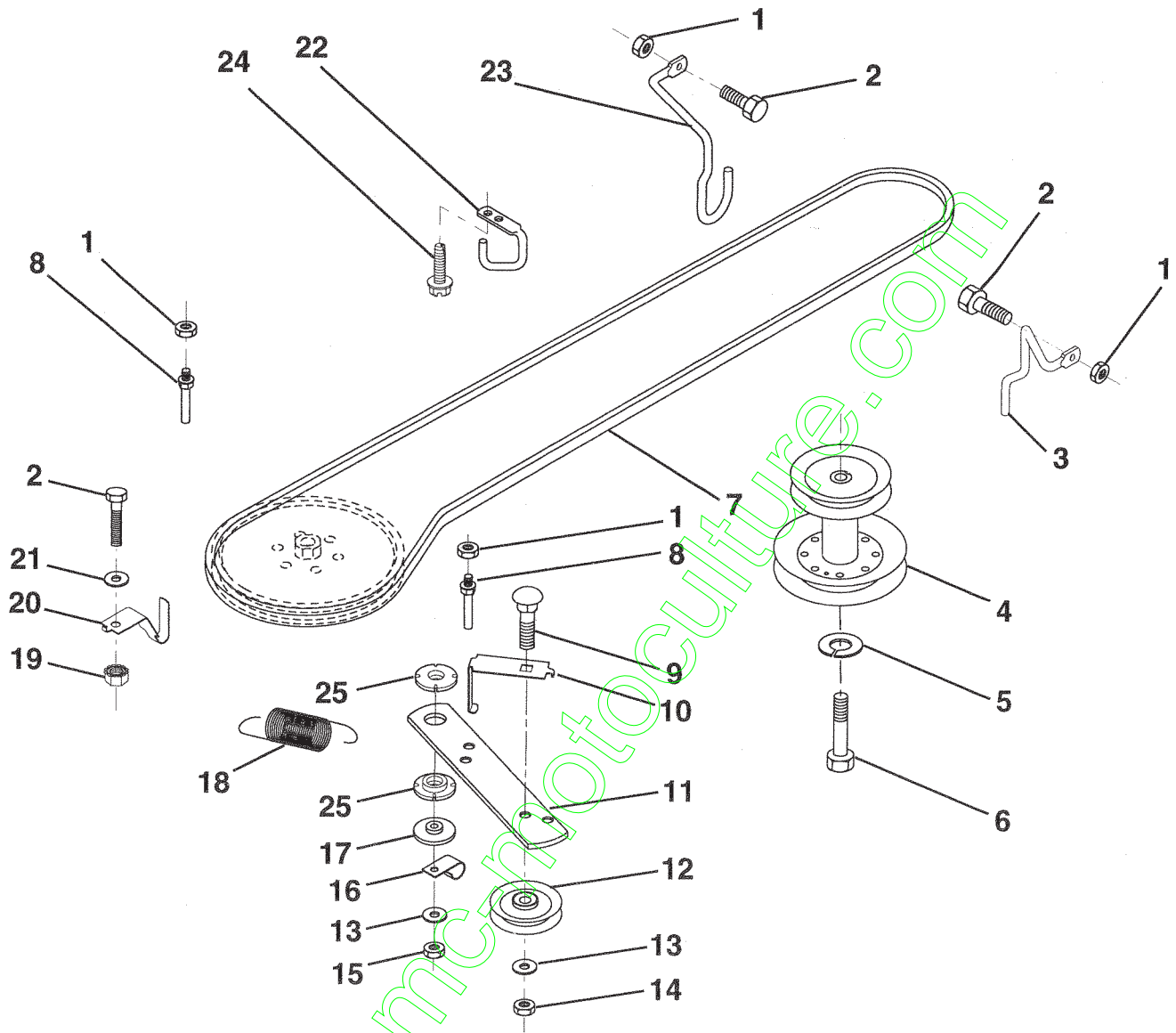
NOTE: All component dimensions given in U.S. inches.
1 inch = 25.4 mm

HARDWARE SHOWN LARGER FOR EASIER IDENTIFICATION

REPAIR PARTS

TRACTOR - - MODEL NUMBER RL12536TA

GROUND DRIVE



KEY NO.	PART NO.	DESCRIPTION	KEY NO.	PART NO.	DESCRIPTION
1	73680500	Nut, Lock Hex W/Ins 5/16-18	13	19131316	Washer 13/32 x 13/16 x 16 Gauge
2	74760512	Bolt, Hex 5/16-18 UNC x 3/4	14	73930600	Nut, Centerlock 3/8-16 UNC
3	141342	Keeper, Mower Drive Belt, Engine, R.H.	15	73680600	Crownlock, Nut 3/8-16
4	138029	Pulley, Engine	16	126471X	Clip, Insulated
5	10040700	Washer, Lock, Heavy Helical Spring 7/16	17	150932	Spacer, Retainer
6	71170744	Bolt, Hex, 7/16-20 x 2-3/4 Grade 5	18	131459	Spring, Extension
7	124525X	Traction, V-Belt Drive	19	73510500	Nut, Keps 5/16-18 UNC
8	123405X	Keeper, T/A Ground Drive Belt	20	139919	Keeper, T/A Ground Drive Belt
9	72140612	Bolt, Carriage 3/8-16 UNC x 1-1/2	21	19111016	Washer 11/32 x 5/8 x 16 Gauge
10	123396X	Keeper, Ground Drive Belt, Idler	22	123404X	Keeper, Ground Drive Belt, Frame
11	150926	Arm, Ground Drive Clutch	23	140916	Keeper, Mower Drive Belt, L.H.
12	123674X	Idler, Flat	24	17720408	Screw, Thd, Cut, 1/4-20 X 1/2.
			25	150935	Bushing Nylon

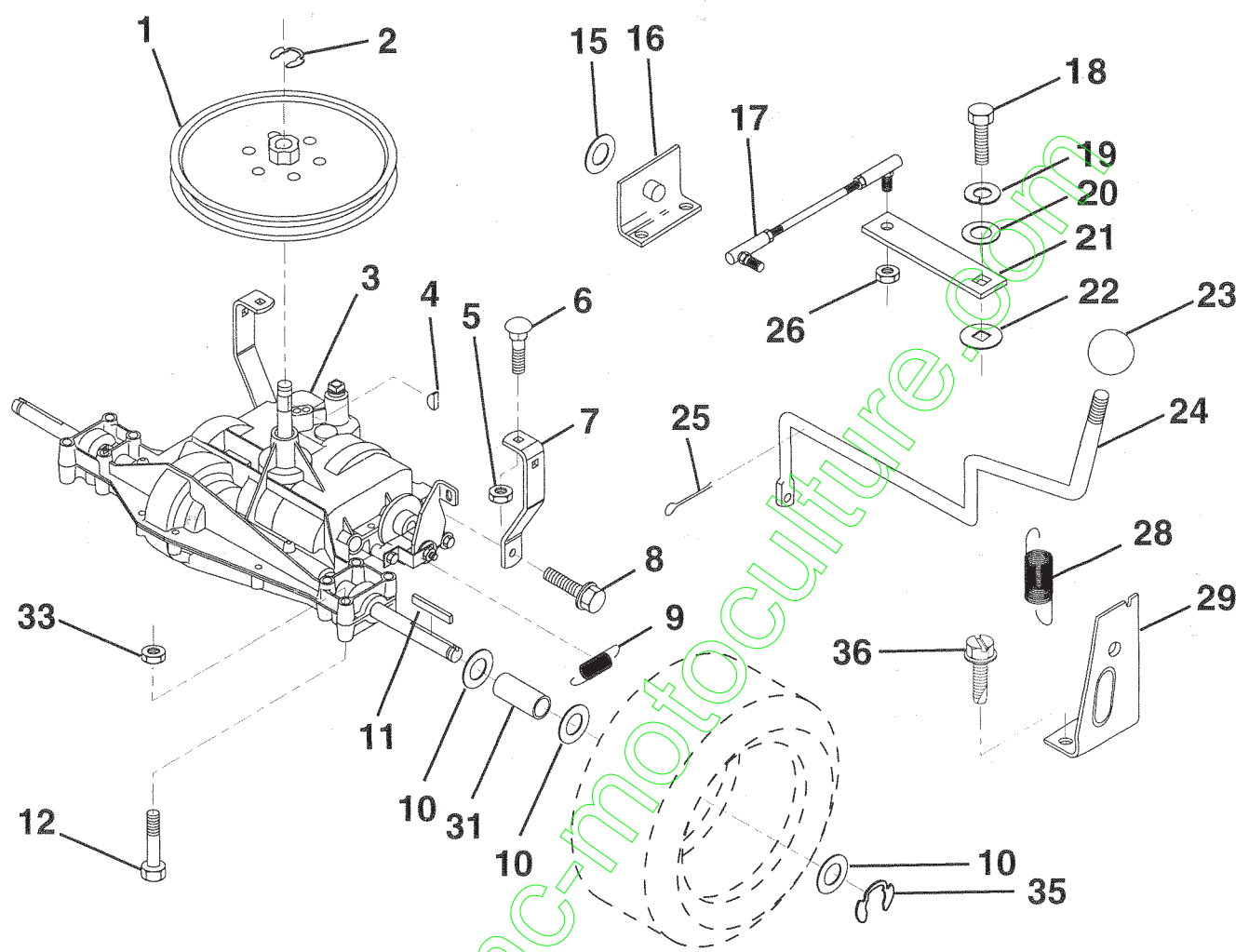
NOTE: All component dimensions given in U.S. inches.
1 inch = 25.4 mm

HARDWARE SHOWN LARGER FOR EASIER IDENTIFICATION

REPAIR PARTS

TRACTOR -- MODEL NUMBER RL12536TA

TRANSAXLE



KEY NO.	PART NO.	DESCRIPTION
1	123385X	Pulley
2	12000028	Ring, Retainer
3	142602	Transaxle Model Number 4360-78
4	2228M	Key, Woodruff #9
5	73680500	Nut, Lock Hex 5/16-18
6	72140506	Bolt, Carriage 5/16-18 UNC x 3/4
7	123378X	Strap, Torque
8	17490512	Screw 5/16-18 x 3/4
9	146682	Spring, Brake
10	121749X	Washer 25/32 x 1-1/4 x 16 Gauge
11	123583X	Key, Square
12	74760644	Bolt Fin Hex 5/16-18 x 2-1/2
15	19171616	Washer 17/32 x 16 Ga.
16	124600X	Support, Handle Shift
17	123632X	Link, Shift
18	74550412	Bolt, Hex, Fin. 1/4-28 UNF x 3/4 Grade 8

KEY NO.	PART NO.	DESCRIPTION
19	10040400	Washer, Lock 1/4
20	19091210	Washer 9/32 x 3/4 x 10 Gauge
21	123484X	Arm, Shift
22	105701X	Washer, Shift Plate
23	106933X	Knob, Deluxe
24	128215	Rod, Shift
25	76020416	Pin, Cotter 1/8 x 1
26	73810500	Nut, Hex, Nylon 5/16-24 UNF
28	128085	Spring, Extension
29	128084	Support, Handle, Shift, R.H.
31	109502X	Spacer, Split
33	73680600	Nut, Crownlock 3/8-16
35	12000001	E-Ring
36	17720408	Screw, Thd. Cut. 1/4-20 X 1/2

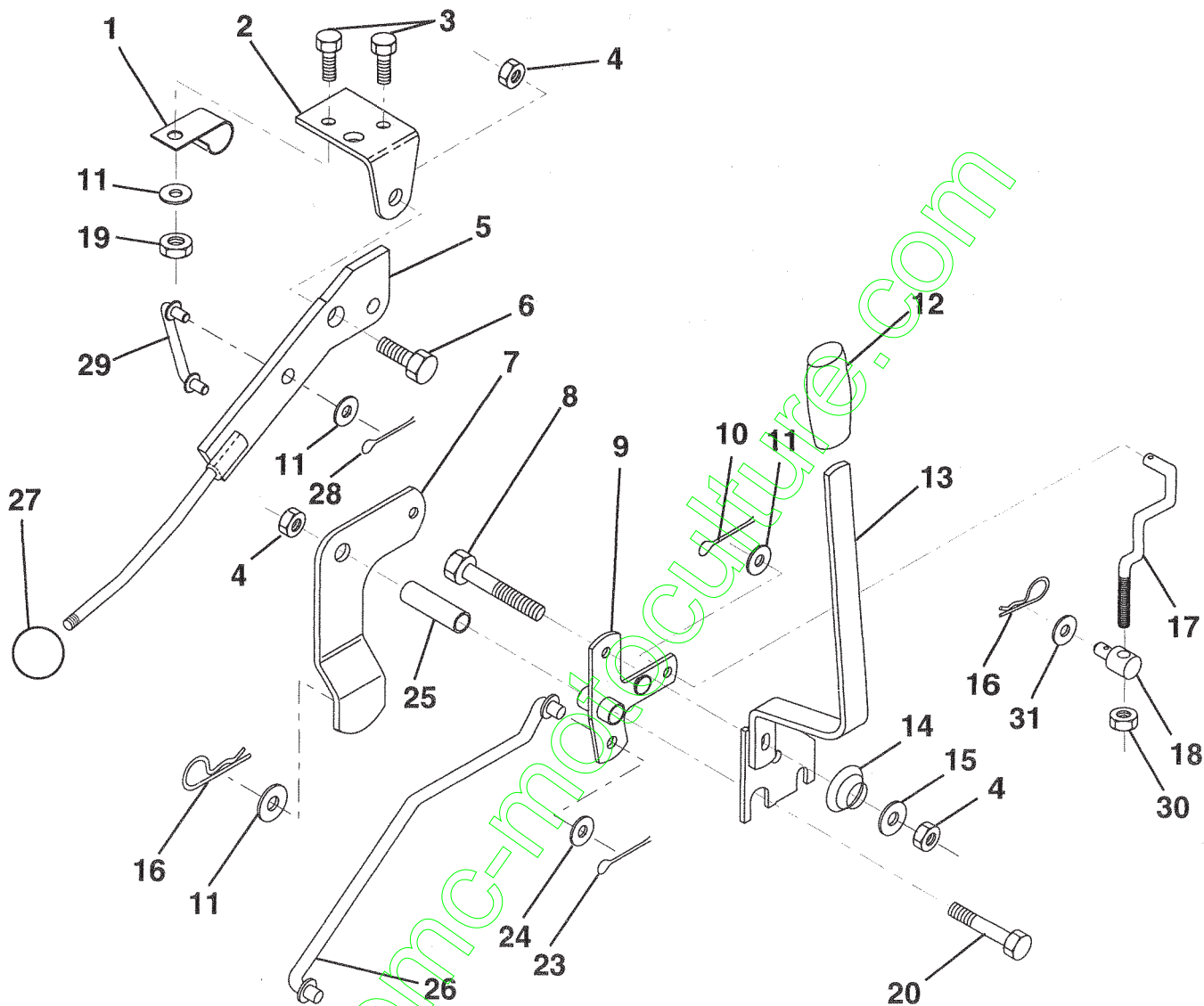
NOTE: All component dimensions given in U.S. inches.
1 inch = 25.4 mm.

HARDWARE SHOWN LARGER FOR EASIER IDENTIFICATION

REPAIR PARTS

TRACTOR -- MODEL NUMBER RL12536TA

MOWER LIFT LEVER



KEY NO.	PART NO.	DESCRIPTION
1	126470X	Clip, Insulated
2	122018X	Bracket, Mower Clutch
3	71110408	Bolt, Hex, Fin 1/4-20 UNC x 1/2 Grade 5
4	73680600	Nut, Lock Hex W/Wsh 3/8-16
5	145187	Assembly, Clutch Lever
6	106451X	Bolt, Shoulder
7	135371	Assembly, Mower Clutch Arm
8	74760636	Bolt, Hex 3/8-16 UNC x 2-1/4
9	121930X	Assembly, Bellcrank, Lift
10	76020412	Pin, Cotter 1/8 x 3/4
11	19131316	Washer 13/32 x 13/16 x 16 Gauge
12	131861	Sleeve, Handle
13	139352	Assembly, Lift Handle
14	123496X	Spring, Compression
15	19131212	Washer 13/32 x 3/4 x 12 Gauge

KEY NO.	PART NO.	DESCRIPTION
16	4921H	Retainer, Spring
17	127359	Link, Front Lift
18	142028	Trunnion, Threaded 3/8-16
19	73680400	Nut, Crownlock 1/4-20
20	74760644	Bolt, Hex, Fin. 3/8-16 UNC x 2-3/4
23	76020416	Pin, Cotter 1/8 x 1
24	19171616	Washer 17/32 x 1 x 16 Gauge
25	121933X	Tube, Spacer
26	141470	Rod, Mower Lift
27	106932X	Knob, Rd
28	76020312	Pin, Cotter 3/32 x 3/4
29	131655	Link, Mower Clutch
30	73350600	Nut, Hex Jam 3/8-16
31	19132012	Washer 13/32 x 1-1/4 x 12 Ga.

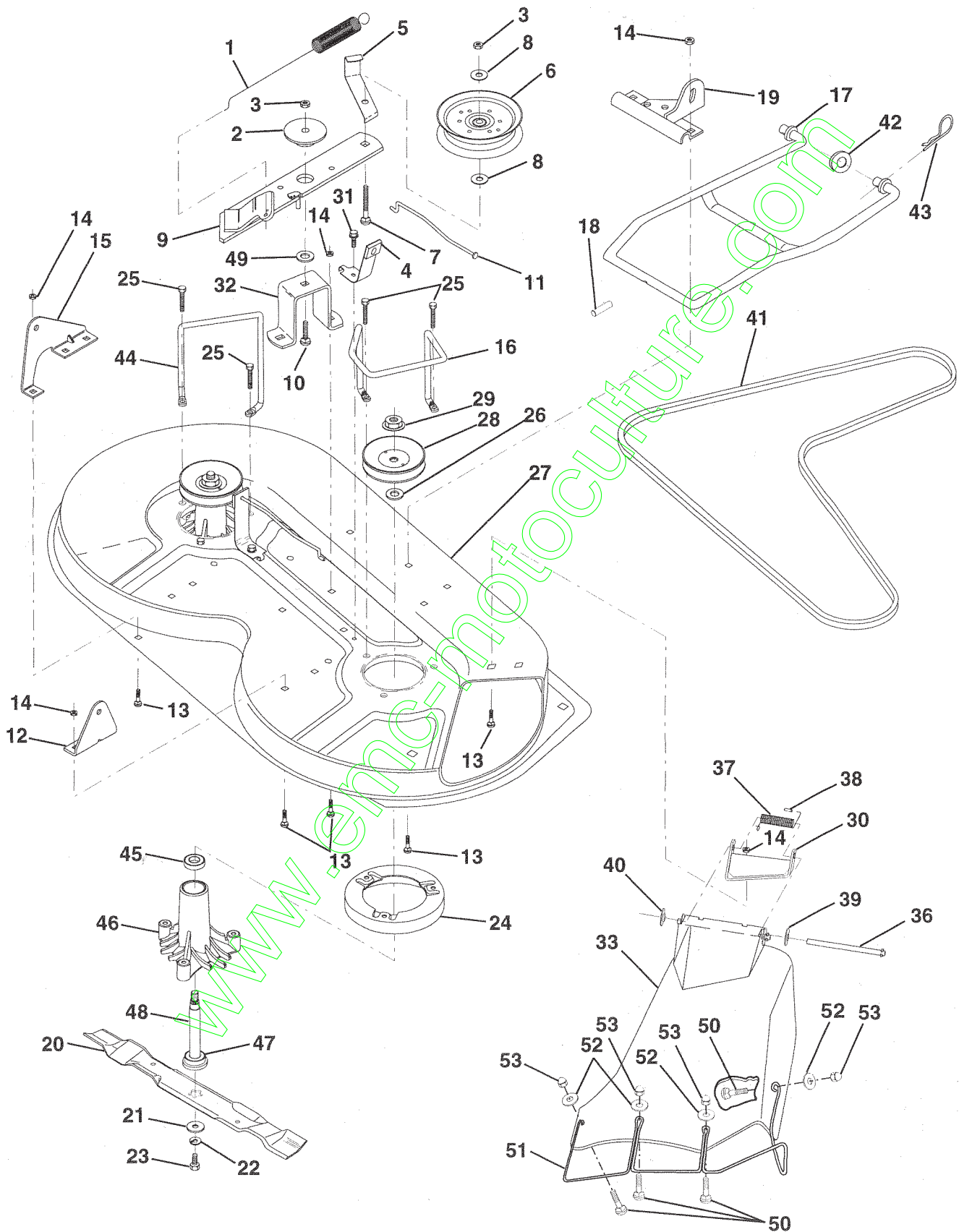
NOTE: All component dimensions given in U.S. inches.
1 inch = 25.4 mm.

HARDWARE SHOWN LARGER FOR EASIER IDENTIFICATION

REPAIR PARTS

TRACTOR -- MODEL NUMBER RL12536TA

MOWER DECK



REPAIR PARTS

TRACTOR - - MODEL NUMBER RL12536TA

MOWER DECK

KEY NO.	PART NO.	DESCRIPTION	KEY NO.	PART NO.	DESCRIPTION
1	140064	Spring, Mower Clutch	30	136631	Bracket, Deflector
2	122052X	Spacer, Retainer	31	17490508	Screw, Hex Washer Head, Thd. Roll. 5/16-18 x 1/2
3	73680600	Nut, Lock Hex W/Wsh 3/8-16	32	122051X	Arm, Support Idler, Mower
4	130840	Assembly, Brake	33	139083	Shield, Deflector
5	131251	Guide, Belt Idler	36	121980X	Rod, Hinge
6	121316X	Idler, Flat	37	123713X	Spring, Torsion Deflector
7	72110616	Bolt, Carriage 3/8-16 x 2 Grade 5	38	105304X	Cap, Sleeve
8	19131410	Washer 13/32 x 7/8 x 10 Gauge	39	19111016	Washer 11/32 x 5/8 x 16 Gauge
9	127744	Assembly, Mower Idler Arm	40	110452X	Nut, Push
10	72140610	Bolt, Carriage 3/8-16 x 1-1/4	41	131264	V-Belt
11	130841	Rod, Brake	42	19171616	Washer 11/32 x 5/8 x 16 Gauge
12	127356	Bracket, Rear Lift, R.H.	43	3146R	Clip, Hairpin
13	72140506	Bolt, Carriage 5/16-18 UNC x 5/8	44	140608	Keeper, L.H.
14	73680500	Nut, Lock Hex W/Ins 5/16-18	45	110485X	Bearing
15	127357	Bracket, Rear Lift, L.H.	46	128774	Housing, Mandrel, Vented
16	140609	Keeper, R.H.	47	129895	Bearing
17	128508	Stabilizer, Mower Link	48	137645	Shaft, Mandrel (Includes Key Number 47)
18	128511	Pin, Drive	49	133943	Washer, Hardened
19	127380	Bracket, Stabilizer Link	50	71161010	Screw Truss Hd Phil 10-24 x 5/8
20	138496	Blade, Mwr. 36" High Lift	51	136383	Guard, DFTR, MWR, 36" TUV
21	140296	Washer, Hard Blade Mower Vented	52	19070718	Washer
22	10030600	Washer, Lock, Heavy 3/8	53	60867	Nut, Acorn Hex #10-24
23	850857	Bolt 3/8-24 x 1-1/4 Grade 8	--	130794	Mandrel Assembly (Includes Key Numbers 21-23, 26, 29 and 45-48)
24	140329	Stripper	--	144973	Deck 36 HP. LR
25	138776	Screw, Thdrol. Hex Hd.			
26	129963	Washer .150 Thick			
27	129983	Housing, Mower			
28	129207	Pulley, Mandrel			
29	137266	Nut, Flangelock 9/16			

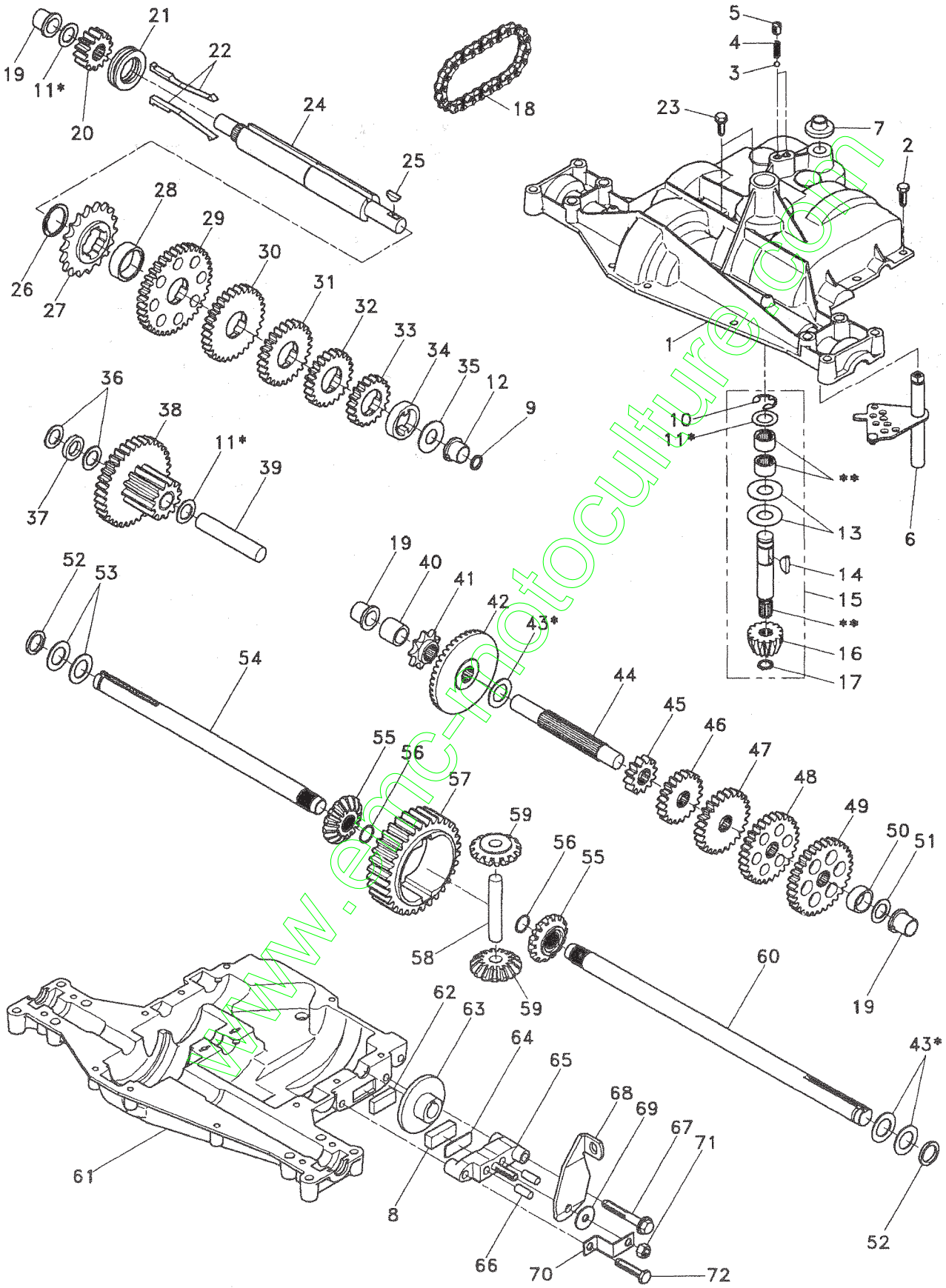
NOTE: All component dimensions given in U.S. inches.
1 inch = 25.4 mm.

HARDWARE SHOWN LARGER FOR EASIER IDENTIFICATION

REPAIR PARTS

TRACTOR - - MODEL NUMBER RL12536TA

DANA TRANSAXLE - MODEL NUMBER 4360-78



REPAIR PARTS

TRACTOR - - MODEL NUMBER RL12536TA

DANA TRANSAXLE - MODEL NUMBER 4360-78

NO. DE RÉF.	NO. DE PIÈCE	DESCRIPTION	NO. DE RÉF.	NO. DE PIÈCE	DESCRIPTION
1	142671	Boîtier supérieur	40	120472X	Entretoise 0,635 x 0,875 x 0,755
2	2274J	Vis taraudée 1/4-20 x 0,734	41	105928X	Pignon à 9 dents
3	134400	Bille de détente	42	110084X	Engrenage en biseau à 42 dents
4	105904X	Ressort de détente	43	134394	* Ensemble du jeu d'arbre de cale 0,750
5	105905X	Vis de pression	44	120473X	Arbre d'entraînement
6	138235	Jeu de l'ensemble de changement de vitesse	45	142678	Engrenage droit à 12 dents
7	134399	Manchon de changement de vitesse	46	120407X	Engrenage droit à 20 dents
8	120951X	Palet de friction	47	106589X	Engrenage droit à 25 dents
9	143045	Bague d'étanchéité	48	120408X	Engrenage droit à 28 dents
10	142672	Bague de fermeture	49	105937X	Engrenage droit à 31 dents
11	134793	* Ensemble du jeu d'arbre de cale 0,625	50	105936X	Entretoise 0,781 x 1,00 x 0,375
12	143051	Palier à bride	51	2226J	Rondelle plate 0,632 x 1,00 x 0,060
13	120415X	Rondelle plate 0,632 x 1,38 x 0,046	52	134401	Rondelle de Neoprene
14	142674	Clavette-disque no. 9	53	2264J	Rondelle plate 0,758 x 1,25 x 0,031
15	138234	Ensemble du jeu d'arbre d'entrée	54	120474X	Essieu C.G.
16	110078X	Pignon en biseau à 14 dents	55	110081X	Engrenage à onglet à 15 dents
17	105909X	Bague de fermeture	56	105941X	Bague de fermeture
18	105910X	Chaîne de pas de 24	57	110071X	Engrenage droit à 32 dents
19	105911X	Palier à bride	58	120952X	Arbre transversal
20	142675	Engrenage droit à 14 dents	59	110082X	Engrenage à onglet à 15 dents
21	138246	Collet d'embrayage	60	120475X	Essieu C.D.
22	138236	Ensemble du jeu des clés d'embrayage	61	142680	Boîtier inférieur
23	134791	Vis taraudée avec le matériau d'étanchéité	62	120961X	Palet de friction
24	142676	Arbre intermédiaire	63	7294J	Disque à frein
25	2244J	Clavette-disque no. 61	64	108989X	Entretoise
26	105916X	Bague de fermeture	65	120953X	Mâchoire de frein
27	120470X	Pignon à 18 dents	66	120954X	Cheville
28	110070X	Entretoise	67	134799	Vis taraudée 5/16-18 x 2,25
29	142677	Engrenage droit à 37 dents	68	138244	Levier de commande
30	120405X	Engrenage droit à 30 dents	69	108996X	Rondelle plate 0,321 x 1,00 x 0,055
31	108980X	Engrenage droit à 25 dents	70	120956X	Support d'antirotation
32	120406X	Engrenage droit à 22 dents	71	73810500	Écrou frein 5/16-24
33	134796	Engrenage droit à 19 dents	72	106596X	Vis taraudée 5/16-18 x 1,44
34	134797	Entretoise 1,133 x 1,50 x 0,375	73	120416X	Graisse
35	105925X	Rondelle plate 0,640 x 1,37 x 0,061			
36	2232J	Rondelle plate 0,632 x 1,00 x 0,026			
37	108978X	Entretoise 0,630 x 1,00 x 0,169			
38	110079X	Ensemble d'engrenage			
39	124639X	Combinaison des 12 dents et 35 dents			
		Arbre du galet tendeur			

* Utiliser dans les différentes combinaisons pour maintenir des écartements appropriés.

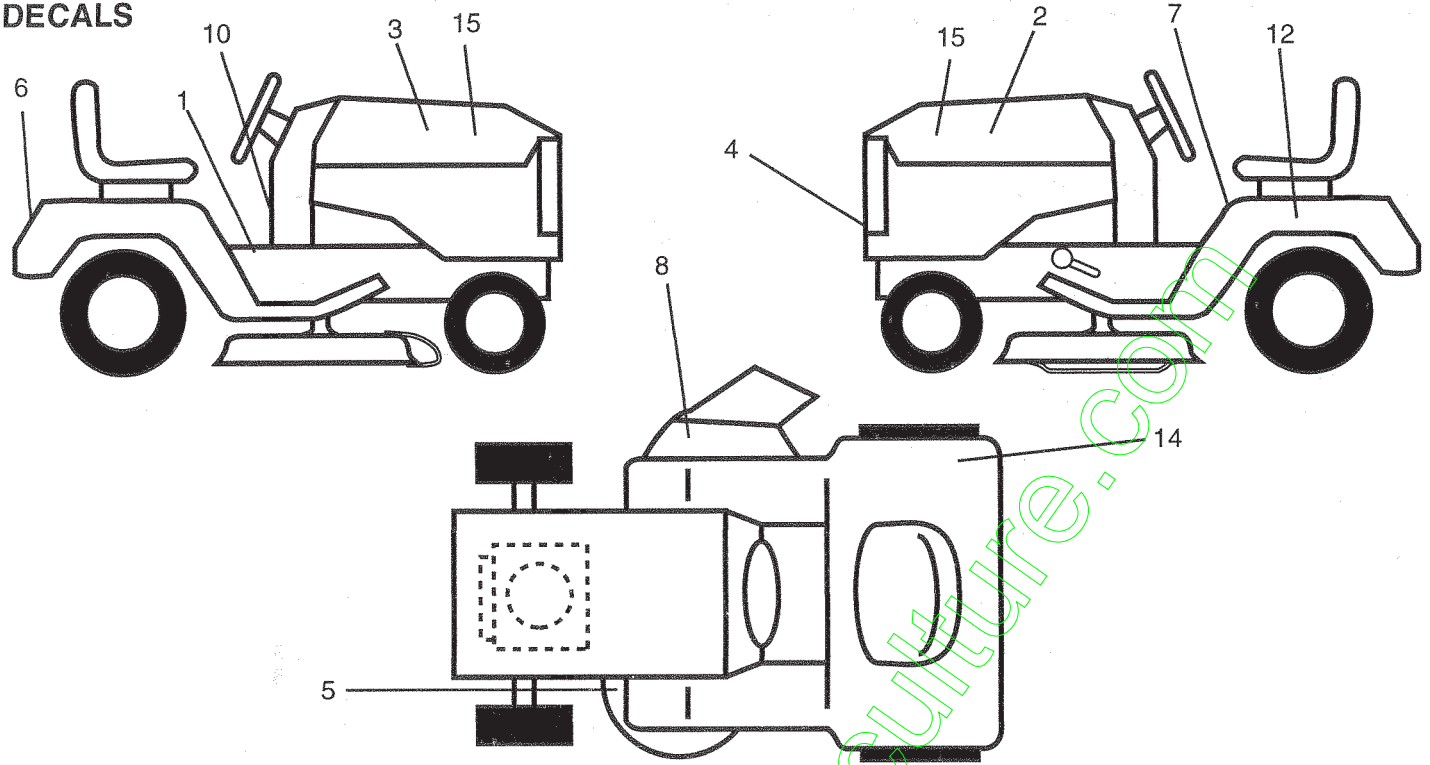
** Commander le no. de réf. 15.

REMARQUE: Toutes les dimensions de composant sont données en pouces É.-U. 1 pouce = 25,4 mm.

REPAIR PARTS

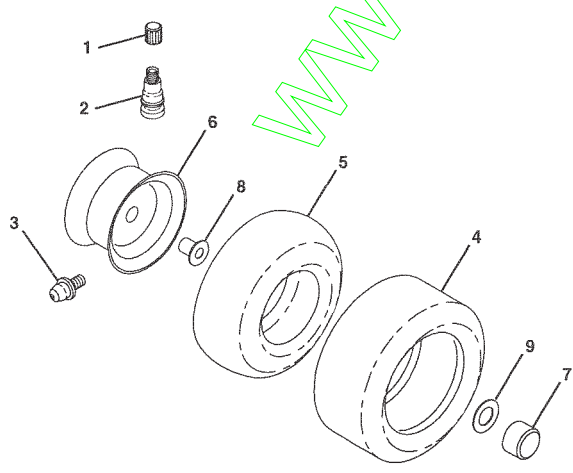
TRACTOR -- MODEL NUMBER RL12536TA

DECALS



KEY NO.	PART NO.	DESCRIPTION	KEY NO.	PART NO.	DESCRIPTION
1	145545	Decal, Inst. Oper. Symblos E/F	10	145437	Deca. Europe. Stand. CE
2	141744	Decal, Stripe, Hood, L.H.	12	146451	Decal, Battery, Dan
3	141743	Decal, Stripe, Hood, R.H.	14	125690X	Decal 100 DbA
4	132627	Decal, Grill	15	152786	Decal, Hood Insert
5	136830	Decal, V-Belt Sch.	--	152625	Manual, Operator's (English)
6	132628	Decal, Fender	--	152626	Manual, Operator's (French)
7	145498	Decal, Read Owner's Manual Symbol	--	152798	Manual, Repair Parts
8	145494	Decal, Mower Cut Finger Symbol	Available accessories are not included with your tractor:		
			--	C36	Rear Bagger
			--	MK36	Mulcher Kit

TIRES & WHEELS



KEY NO.	PART NO.	DESCRIPTION
1	59192	Cap, Valve
2	65139	Stem, Valve
3	278H	Fitting, Grease (Front Only)
4	124142X	Tire, Front
	124243X	Tire, Rear
5	59904	Tube, Tire, Front
	8134H	(Optional, Service Item Only)
		Tube, Tire, Rear
		(Optional, Service Item Only)
6	137237X427	Rim Assembly, Front
	140325X427	Rim Assembly, Rear
7	104757X	Axle Cover
8	9040H	Bearing, Flange (Front Only)
9	121748X	Washer, Axle Cap
--	144334	Sealant, Tire (10 oz. Tube)