



PIÈCES DÉTACHÉES

**Plateaux de coupe
Bac de ramassage**

SXG122

(SCMA48-SXG22E4)

SXG137

(SCMA54-SXG22E4)

SXG550H

(SBC550X-HE4)

SXG550S

(SBC550X-LE4)

(Avant 2006)



Yvan Béal - 21, av. de l'Agriculture - B.P. 16
Z.I. du Brézet - 63014 Clermont-Ferrand Cedex 2
Tél : 04 73 91 93 51 - Télécopie : 04 73 90 23 11
www.yvanbeal.fr - E-mail : info@yvanbeal.fr
R.C.S. Clermont-Fd B 304 973 886 S.A.S. au capital de 612 000 €

03-000676-060217

Directions for use of Parts Catalogue

1. Applicable model of machines

All component and option parts used for SCMA48, SCMA54 Mower and SBC550X Collector are listed in this parts catalogue.

NOTES: SCMA48-SXG22E4... FOR SXG19,22
 SCMA54-SXG22E4... FOR SXG22
 SBC550X-HE4..... FOR SXG19,22
 SBC550X-LE4..... FOR SXG19,22

2. Explanation for head paragraph

KEY	PART CODE	DESCRIPTION	SPC	TYPE OF MODEL						I T C	C O L	G R P	REMARKS
				SSM48M	SSM48F	SSM48G	SRM48M	SRM48F	SRM48G				
1	8595-211-001-20	CASE/UPPER	*	1									
1A	8657-201-081-00	CASE/UPPER	*	1									
2	8595-211-002-10	CASE/LOWER	*	1									
3	V523-100-801-80	PIN	*	1									
4	V211-260-803-00	BOLT, SEMS	*	1									

- ① KEY shows the location of parts diagramed in the illustration.
- ② Parts numbers begin with `V` and `W` are standard parts of the market.
- ③ `LH` and `RH` on the parts name are described against the moving direction of the machine or are described on the condition how to install parts on the machines.
- ④ SPC : The following symbol classifies parts to be used for machines.
 - `*` means standard parts.
 - `T` shows that the parts can be installed as optional parts.
 - `R` shows that the parts can be used as applicable parts to replace originally equipped parts.

- ⑤ Upper column : QTY shows the number of parts to be used for one unit of machine.

`M` is indicated for parts supplied by a meter long.

`l` is indicated for parts supplied by liter.

`AR` is indicated for parts need to be adjusted or regulated.

Lower column : serial number

—229 means serial number up to 229.

230— means serial number 230 and after.

- ⑥ ITC : Interchangeability

`1`...OLD ← NEW

New parts can be used in place of the old parts.

`2`...OLD → NEW

Old parts can be used in place of the new parts.

`3`...OLD →← NEW

Old parts and new parts can not be replaced each other.

- ⑦ COL : Color code

Color is signified with color code number for colored parts.

Please see the color list shown in the next page.

- ⑧ GRP : Parts shown in this column can be replaced by SET parts.

Example : Parts marked Ⓐ can be replaced by parts marked Ⓑ, and Ⓓ for Ⓒ, so the rest follow in the same alphabetical order.

- ⑨ Remarks

* Other maker's part code number is shown in this column.

* When Fig. No. is shown in the Remark column of SET parts or ASSY parts, each of their component parts are listed in said Fig. No.

3. Color :

The following colors are used color parts.

COLOR CODE	COLOR	SPRAY TYPE CODE NUMBER	PAINTS 4K DRUM	PAINTS 16K DRUM
7 F	MIRROR BLACK	1300-954-001-10	1300-954-003-00	1300-954-004-00

NOTE : Color code is signified only for the parts assigned by the maker as color parts.

4. Serial Numbers :

For chassies serial number is shown on the LABEL.

Please see



5. Parts Order

- 1) Parts numbers listed in the parts catalogue are all registered in “ISEKI on-line computer”.
- 2) When you order parts, please make sure of correct numbers.
- 3) When substitute parts is available, the part number ordered will be automatically turned to a new part number.
- 4) Please be sure to use “ISEKI GENUINE PARTS”.

Any other similar parts other than ISEKI parts when used may cause a trouble that makes us unable to repair or guarantee the warrant.

*** Structure Table of Model ***

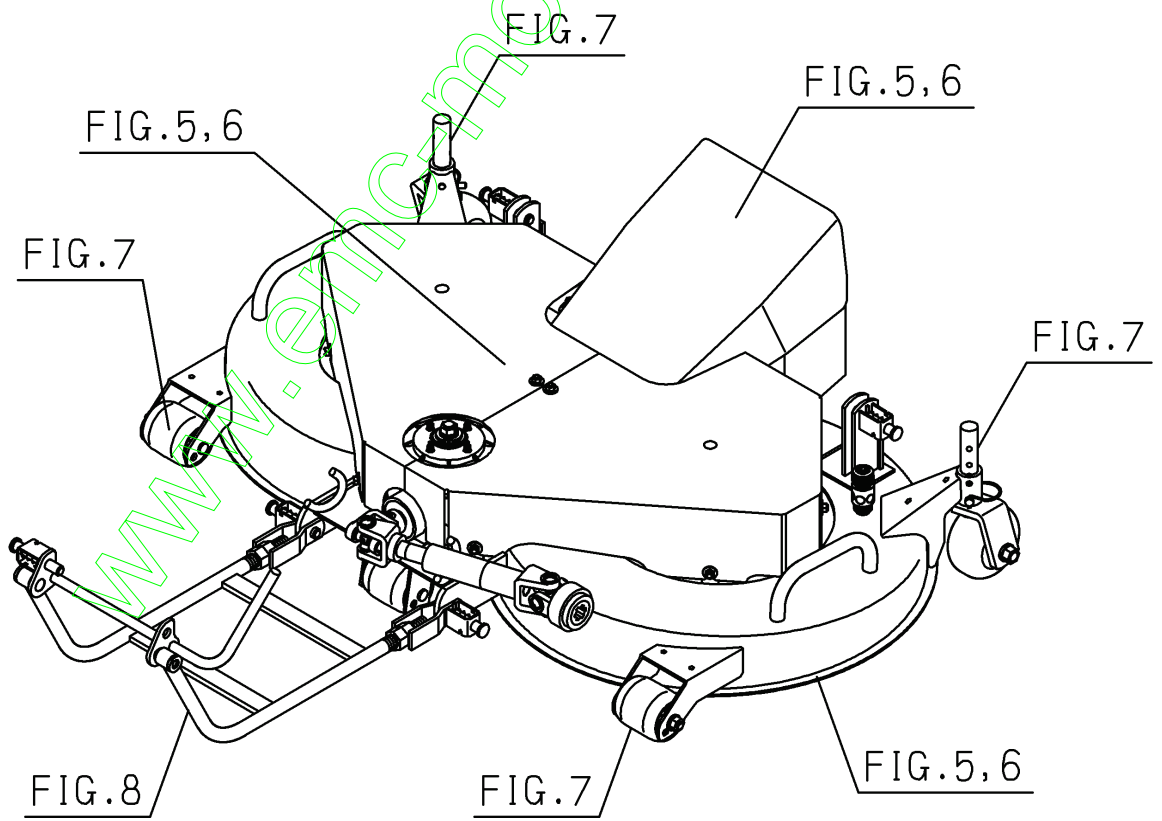
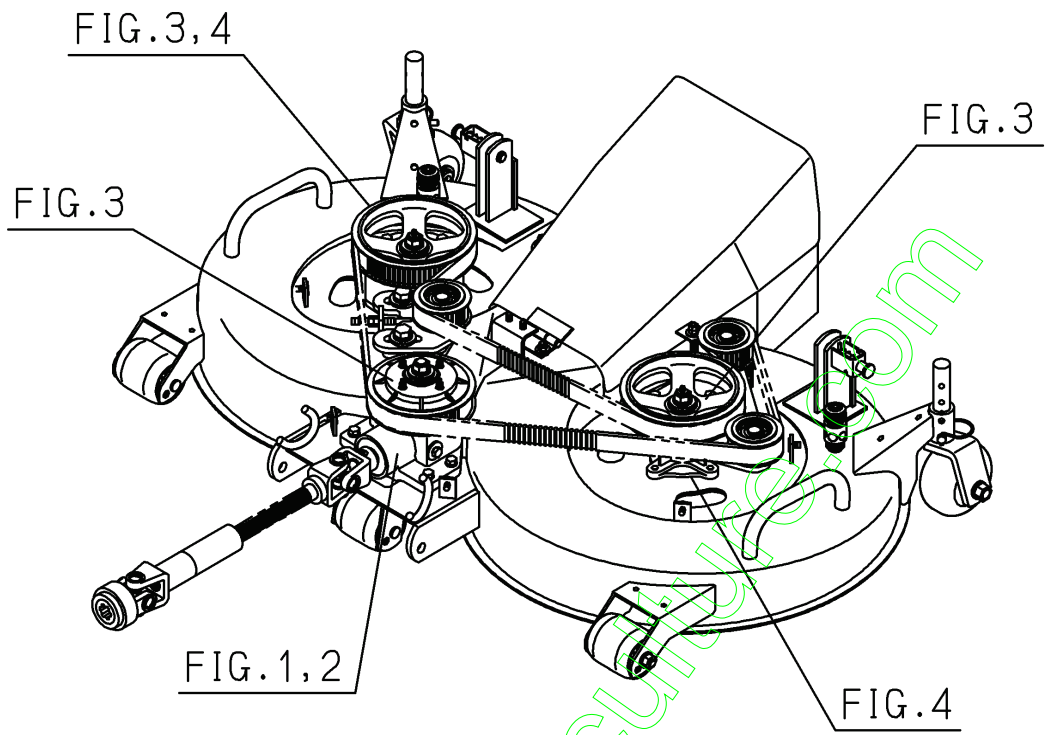
MODEL FIG.	S S C C M S M S A X A X O 4 G 5 G D 8 2 4 2 E 2 2 E E L 4 4										
	1	*									
	2	*									
	3	*	*								
	4	*	*								
	5	*									
	6	*	*								
	7	*	*								
	8	*	*								
	9	*	*								
	10	*	*								
11	*										

www.emc-motoculture.com

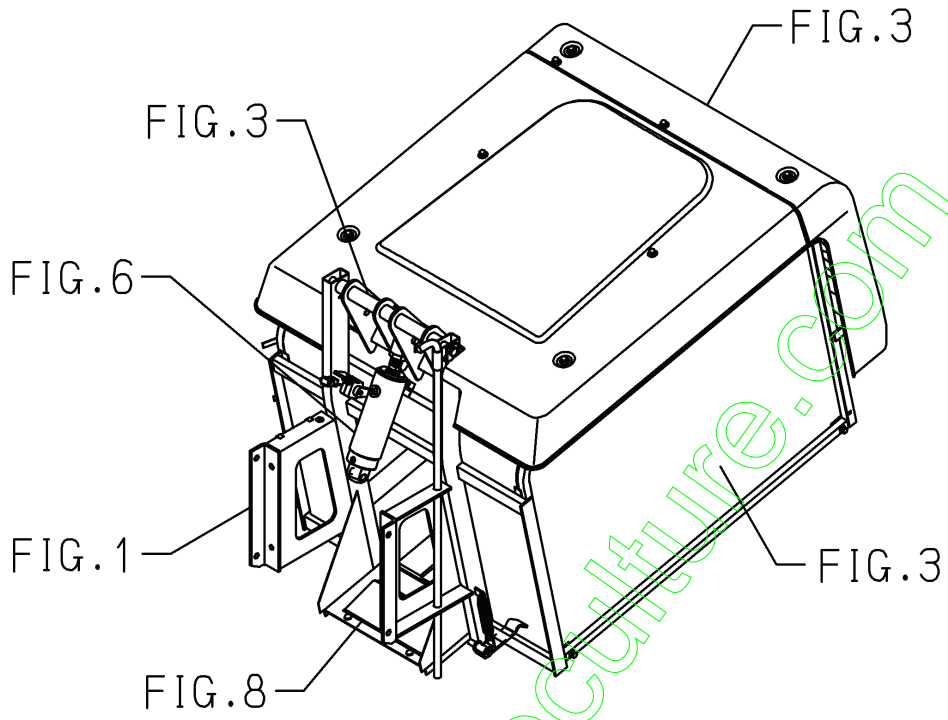
***** Structure Table of Model *****

<p>M O D E L</p> <p>FIG.</p>	<p>S B C H L 5 E E 5 4 4 0 X</p>										
<p>1</p>	<p>*</p>										
<p>2</p>	<p>*</p>										
<p>3</p>	<p>*</p>										
<p>4</p>	<p>*</p>										
<p>5</p>	<p>*</p>										
<p>6</p>	<p>*</p>										
<p>7</p>	<p>*</p>										
<p>8</p>	<p>*</p>										
<p>9</p>	<p>*</p>										
<p>10</p>	<p>*</p>										
<p>11</p>	<p>*</p>										
<p>12</p>	<p>*</p>										
<p>13</p>	<p>*</p>										
<p>14</p>	<p>*</p>										

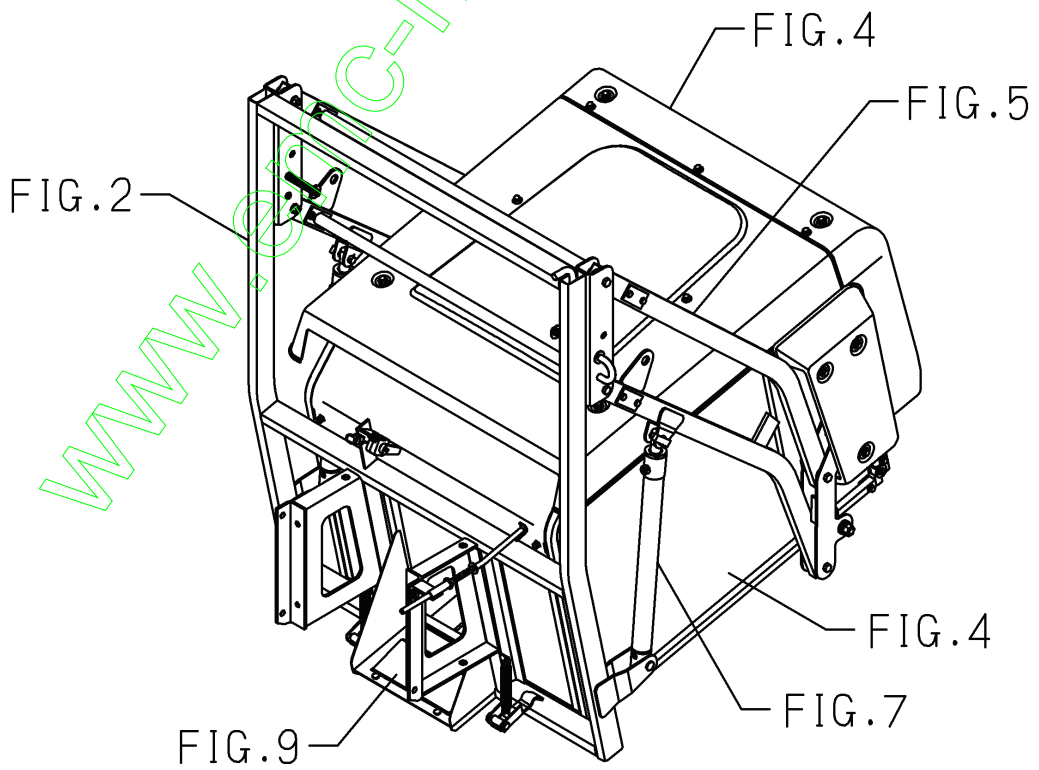
www.emc-motoculture.com



(L TYPE)



(H TYPE)



C o n t e n t s

SCMA48,54

UNIVERSAL JOINT, BEVEL CASE SYSTEM (SCMA54).....	Fig. 1
UNIVERSAL JOINT, BEVEL CASE SYSTEM (SCMA48).....	Fig. 2
PULLEY,BELT SYSTEM.....	Fig. 3
METAL,BLADE SYSTEM.....	Fig. 4
MOWER DECK,COVER SYSTEM (SCMA48).....	Fig. 5
MOWER DECK,COVER SYSTEM (SCMA54).....	Fig. 6
GAUGE WHEEL SYSTEM.....	Fig. 7
LINK SYSTEM.....	Fig. 8
LABEL.....	Fig. 9

COMPONENT PARTS

COMPONENT PARTS FOR 8659-101-210-00 ON Fig.1.....	Fig. 10
COMPONENT PARTS FOR 8662-101-210-00 ON Fig.1.....	Fig. 11

Contents

SBC550X

FRAME SYSTEM (L TYPE).....	Fig. 1
FRAME SYSTEM (H TYPE).....	Fig. 2
CONTAINER SYSTEM (L TYPE).....	Fig. 3
CONTAINER SYSTEM (H TYPE).....	Fig. 4
LINK SYSTEM (H TYPE).....	Fig. 5
CYLINDER SYSTEM (L TYPE).....	Fig. 6
CYLINDER SYSTEM (H TYPE).....	Fig. 7
SENSOR SYSTEM (L TYPE).....	Fig. 8
SENSOR SYSTEM (H TYPE).....	Fig. 9
LABEL (L TYPE).....	Fig. 10
LABEL (H TYPE).....	Fig. 11

COMPONENT PARTS

COMPONENT PARTS

FOR K185-021-000-00 ON Fig.6.....	Fig. 12
-----------------------------------	---------

COMPONENT PARTS

FOR K185-077-000-00 ON Fig.7.....	Fig. 13
-----------------------------------	---------

COMPONENT PARTS

FOR K185-078-000-00 ON Fig.7.....	Fig. 14
-----------------------------------	---------

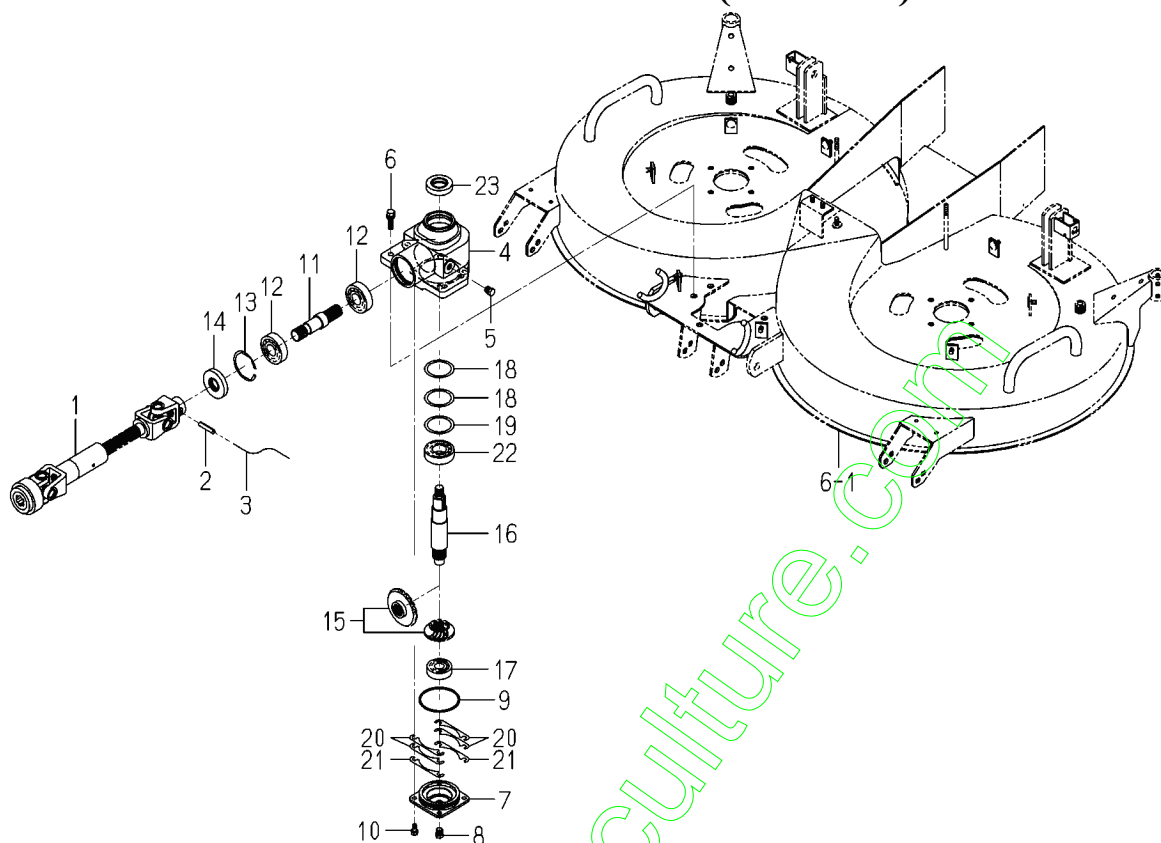
MOWER

SCMA48

SCMA54

www.emc-motoculture.com

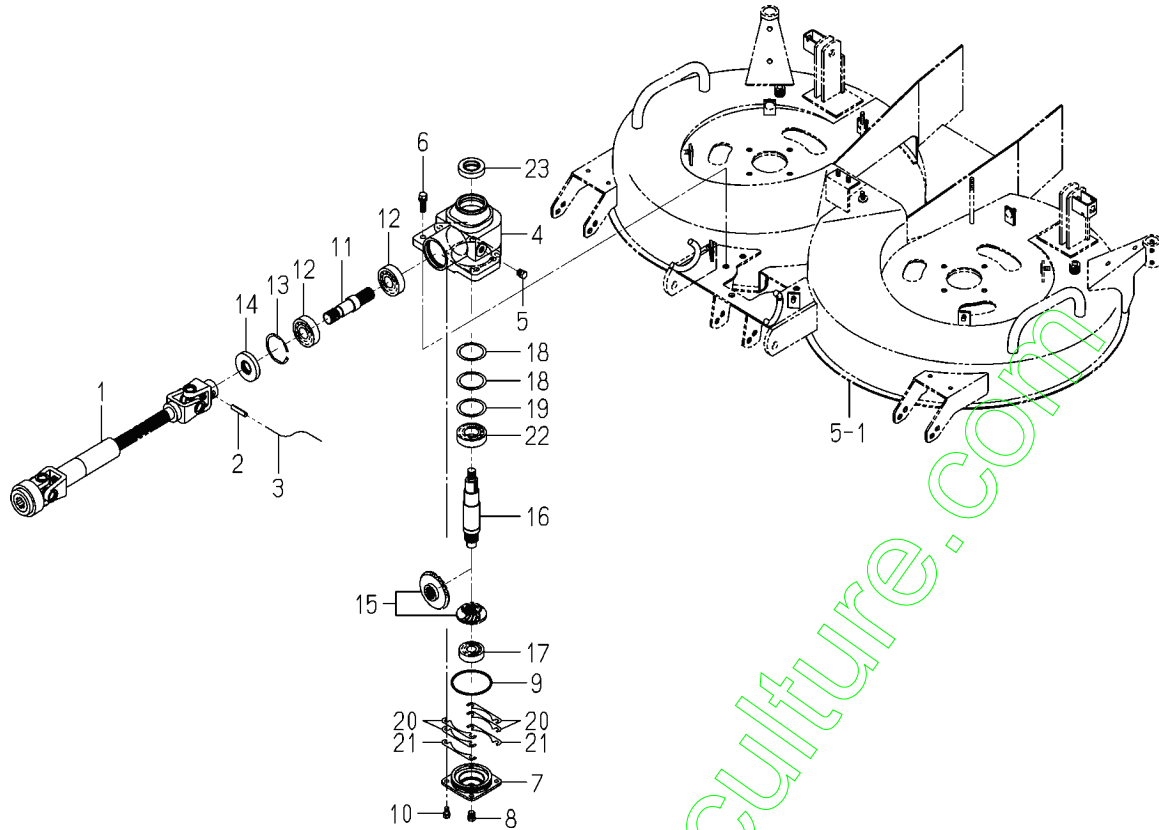
FIG. 1 UNIVERSAL JOINT, BEVEL CASE SYSTEM (SCMA54)



8659-101 -0100,8665-201 -0100

KEY	PART CODE	DESCRIPTION	S P C	TYPE OF MODEL		I T C	C O L	G R P	REMARKS
				SCMA48	SCMA54				
1	8659-101-210-00	JOINT/UNIVERSAL SET	*		1				FIG 010
2	V580-140-804-00	PIN,SPRING/8 X40 W	*		1				
3		WIRE	*		1				
4	8663-201-001-10	CASE/BEVEL	*		1				
5	7955-201-026-00	PLUG,DRAIN (1/4)	*		1				
6	V211-261-003-50	BOLT,SEMS	*		4				
7	8663-201-002-00	COVER/CASE	*		1				
8	7955-201-026-00	PLUG,DRAIN (1/4)	*		1				
9	V721-103-108-00	O-RING/G80	*		1				
10	V211-260-801-60	BOLT,SEMS (S) M8X16	*		4				
11	8595-201-013-00	SHAFT/INPUT	*		1				
12	1594-218-001-00	BEARING/BALL 6305SH2	*		2				
13	V707-140-062-00	RING/SNAP	*		1				
14	8595-201-025-00	SEAL/OIL	*		1				
15	8654-201-410-10	GEAR/BEVEL/25-2 SET	*		1				
16	8665-201-001-00	SHAFT/OUTPUT	*		1				
17	V600-110-630-40	BEARING,RB/6304	*		1				
18	8663-201-004-00	SHIM/0.1	*		2				
19	8663-201-005-00	SHIM/0.2	*		1				
20	8595-201-021-00	SHIM/0.1	*		4				
21	8595-201-022-00	SHIM/0.2	*		2				
22	V600-110-620-60	BEARING,RB/6206	*		1				
23	V744-130-551-20	SEAL,OIL/TC305512	*		1				

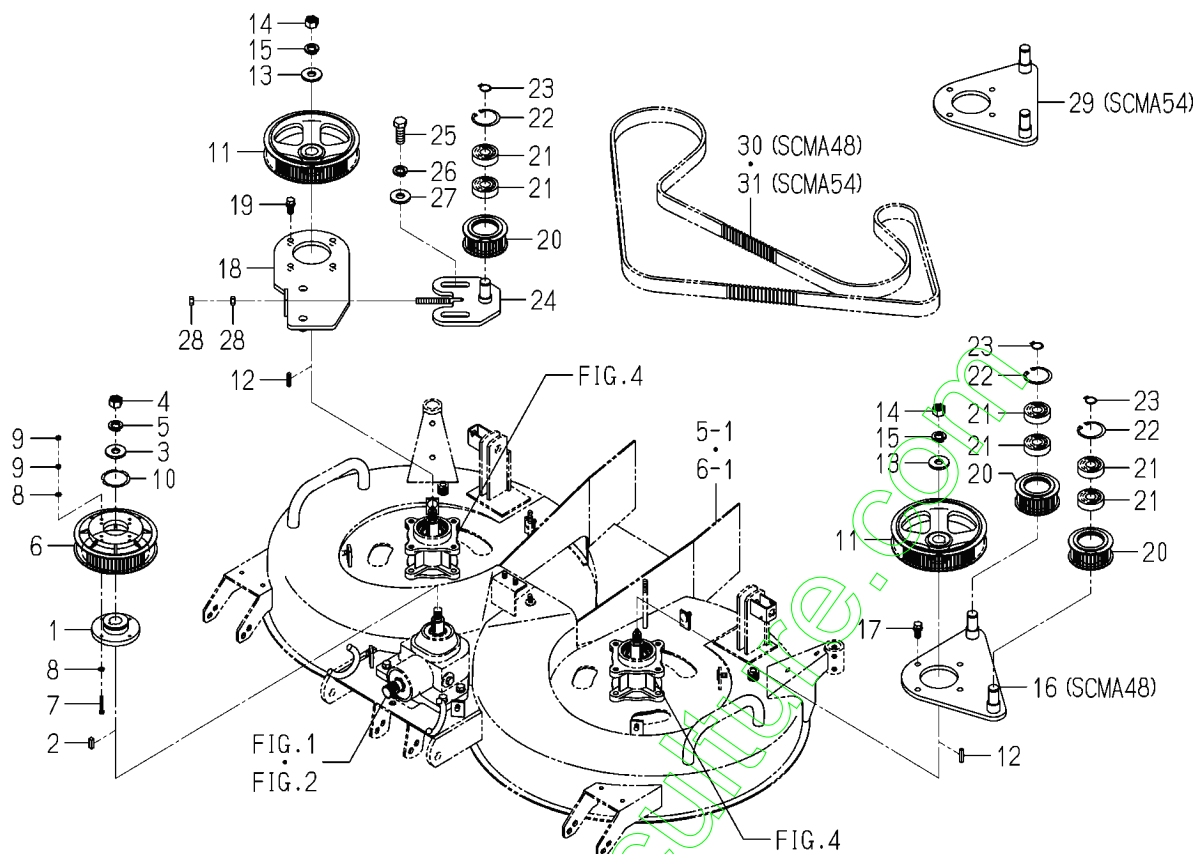
**FIG. 2 UNIVERSAL JOINT,
BEVEL CASE SYSTEM (SCMA48)**



8662-101 -0100,8663-201 -0100

KEY	PART CODE	DESCRIPTION	S P C	TYPE OF MODEL		I T C	C O L	G R P	REMARKS
				SCMA48	SCMA54				
1	8662-101-210-00	JOINT/UNIVERSAL SET	*	1					FIG 011
2	V580-140-804-00	PIN,SPRING/8 X40 W	*	1					
3		WIRE	*	1					
4	8663-201-001-10	CASE/BEVEL	*	1					
5	7955-201-026-00	PLUG,DRAIN (1/4)	*	1					
6	V211-261-003-50	BOLT,SEMS	*	4					
7	8663-201-002-00	COVER/CASE	*	1					
8	7955-201-026-00	PLUG,DRAIN (1/4)	*	1					
9	V721-103-108-00	O-RING/G80	*	1					
10	V211-260-801-60	BOLT,SEMS (S) M8X16	*	4					
11	8595-201-013-00	SHAFT/INPUT	*	1					
12	1594-218-001-00	BEARING/BALL 6305SH2	*	2					
13	V707-140-062-00	RING/SNAP	*	1					
14	8595-201-025-00	SEAL/OIL	*	1					
15	8657-201-210-10	GEAR/BEVEL/25-1 SET	*	1					
16	8663-201-003-00	SHAFT/OUTPUT	*	1					
17	V600-110-630-40	BEARING,RB/6304	*	1					
18	8663-201-004-00	SHIM/0.1	*	2					
19	8663-201-005-00	SHIM/0.2	*	1					
20	8595-201-021-00	SHIM/0.1	*	4					
21	8595-201-022-00	SHIM/0.2	*	2					
22	V600-110-620-60	BEARING,RB/6206	*	1					
23	V744-130-551-20	SEAL,OIL/TC305512	*	1					

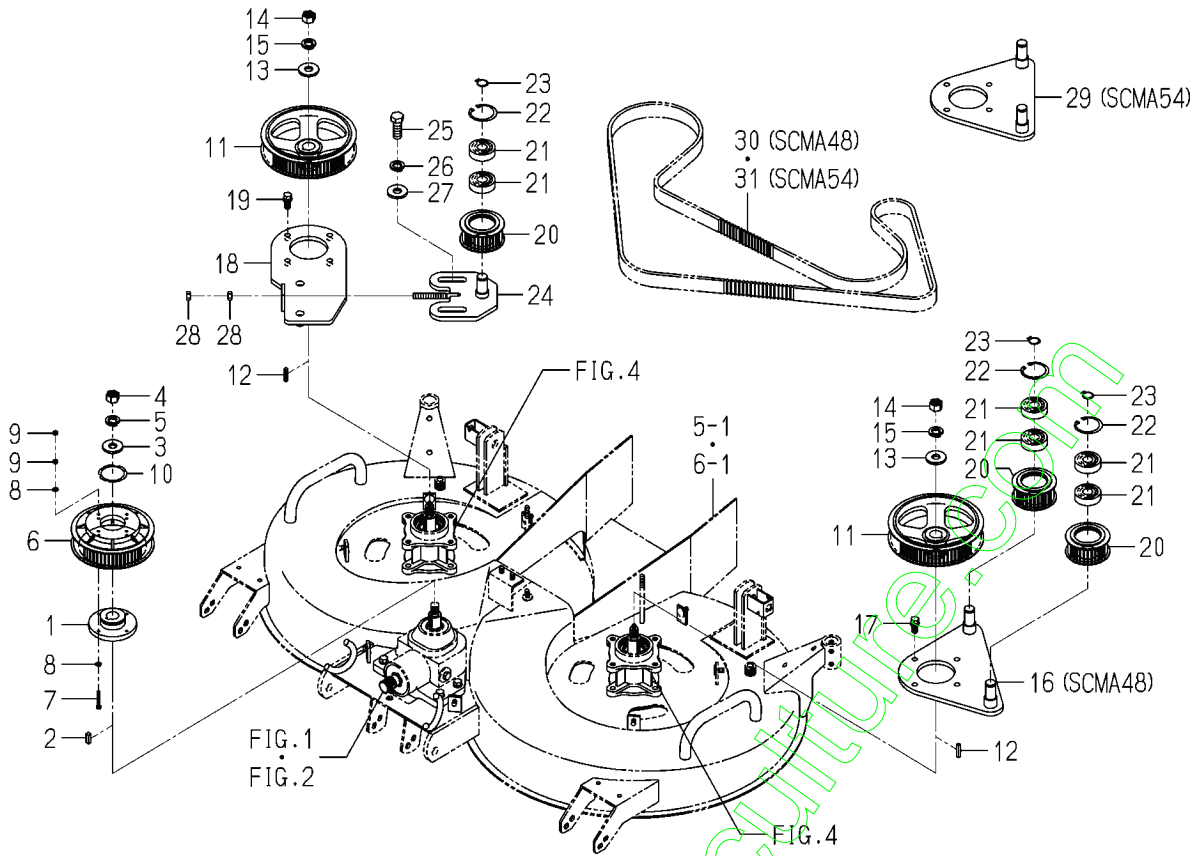
FIG. 3 PULLEY,BELT SYSTEM



8663-202 -0100,8665-202 -0100,8663-203 -0100,8665-203 -0100

KEY	PART CODE	DESCRIPTION	S P C	TYPE OF MODEL		I T C	C O L	G R P	REMARKS
				SCMA48	SCMA54				
1	8663-202-002-10	FLANGE/PULLEY	*	1	1				
2	3670-520-001-00	KEY/08X07X20	*	1	1				
3	3746-111-011-00	WASHER	*	1	1				
4	V304-460-016-00	NUT/M16	*	1	1				
5	V401-160-016-00	WASHER,SP/M16	*	1	1				
6	8663-202-210-00	PULLEY/STS/62 COMP	*	1	1				
7	8663-202-003-00	BOLT/M05X35	*	4	4				
8	V401-160-005-00	WASHER,SP/M 5	*	8	8				
9	V301-260-005-00	NUT/M5	*	8	8				
10	V706-140-050-00	RING/SNAP	*	1	1				
11	8663-202-220-10	PULLEY/STS/72 COMP	*	2	2				
12	8654-202-016-00	KEY/06X06X28	*	2	2				
13	3746-111-011-00	WASHER	*	2	2				
14	V304-460-016-00	NUT/M16	*	2	2				
15	V401-160-016-00	WASHER,SP/M16	*	2	2				
16	8663-202-250-00	BASE/LH COMP	*	1					
17	V211-261-002-50	BOLT(S) M10X25	*	4	4				
18	8663-202-260-10	BASE/RH COMP	*	1	1				
19	V211-261-002-50	BOLT(S) M10X25	*	4	4				
20	8663-202-230-00	PULLEY/STS/32 COMP	*	3	3				
21	V600-150-630-40	BEARING,RB/6304SS	*	6	6				
22	V705-140-052-00	RING,SNAP/52 C	*	3	3				
23	V704-140-020-00	RING,SNAP/20C	*	3	3				
24	8663-202-270-20	PLATE/TENSION COMP	*	1	1				
25	V201-261-604-00	BOLT/M16X40	*	2	2				
26	V401-160-016-00	WASHER,SP/M16	*	2	2				
27	3746-111-011-00	WASHER	*	2	2				
28	V304-260-010-00	NUT	*	2	2				
29	8665-202-210-00	BASE/LH COMP	*		1				
30	8663-203-001-00	BELT/D/STS/2800	*	1					

FIG. 3 PULLEY,BELT SYSTEM



8663-202 -0100,8665-202 -0100,8663-203 -0100,8665-203 -0100

KEY	PART CODE	DESCRIPTION	S P C	TYPE OF MODEL		I T C	C O L	G R P	REMARKS
				SCMA48	SCMA54				
31	8665-203-001-00	BELT/D/STS/2880	*		1				

www.emc-motors.com

COLLECTOR

SBC550X

www.emc-motoculture.com

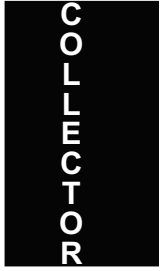
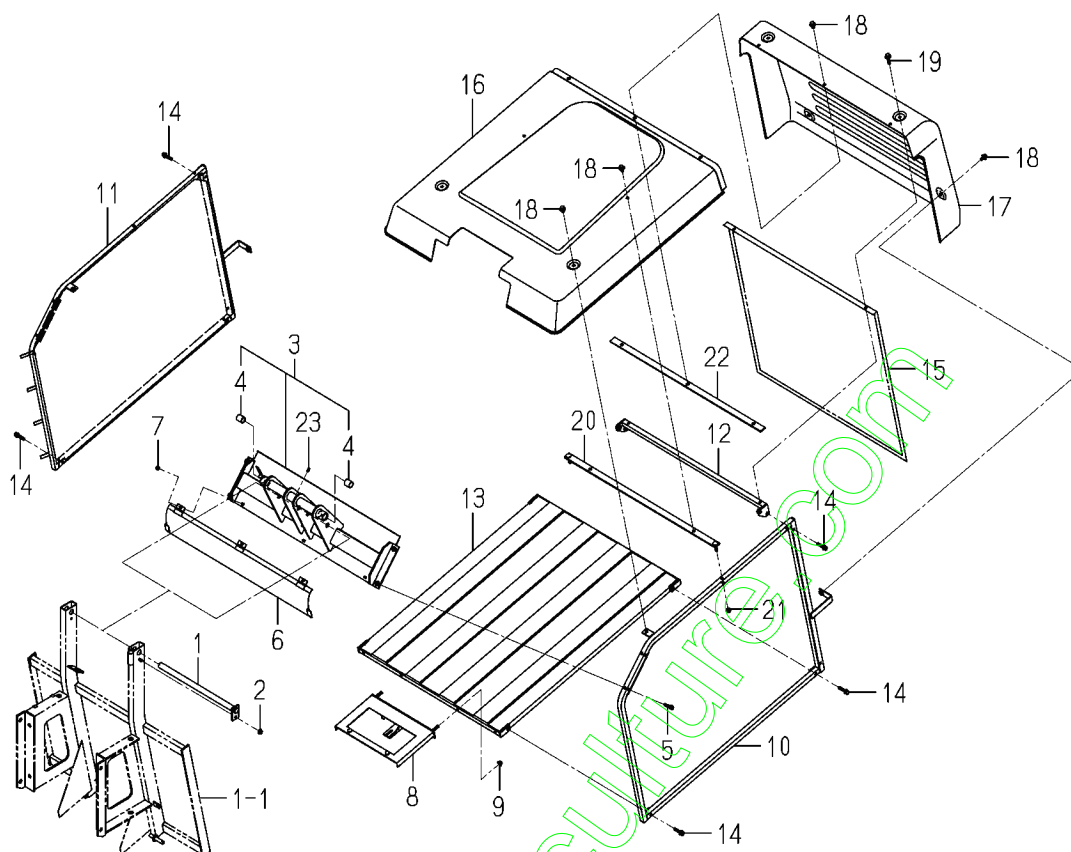
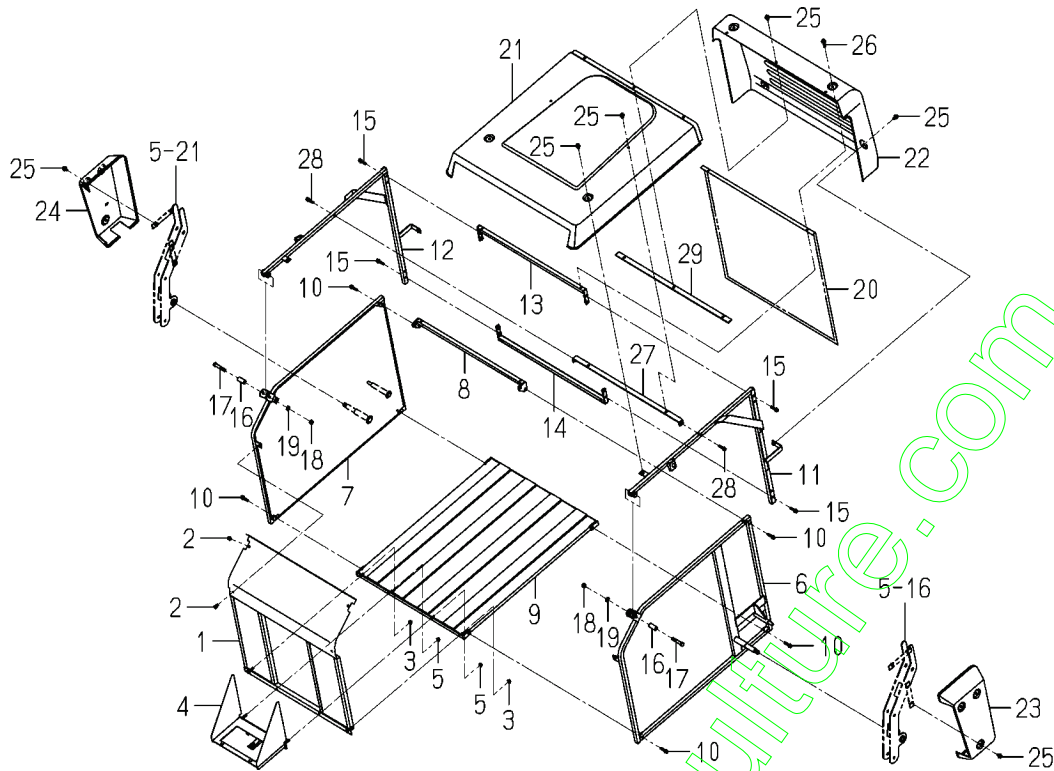


FIG. 3 CONTAINER SYSTEM (L TYPE)



8664-305 -0100

KEY	PART CODE	DESCRIPTION	S P C	TYPE OF MODEL		I T C	C O L	G R P	REMARKS
				SBC550X					
1	8664-305-210-00	PIN/20X405 COMP	*	1					
2	V362-260-008-00	NUT/WASHER	*	1					
3	8664-305-200-10	FRAME/UPPER ASSY	*	1			7F		
4	8664-305-201-00	BUSH/20X23X25	*	2					
5	V211-560-804-50	BOLT,SEMS/M8X45 7T	*	4					
6	8664-305-310-00	COVER/UPPER/SUB COMP	*	1			7F		
7	V360-260-006-00	NUT/M6	*	3					
8	8664-305-280-00	PLATE/LOWER/FRONT	*	1					
9	V362-260-008-00	NUT/WASHER	*	2					
10	8664-305-240-10	FRAME/SIDE/LH COMP	*	1			7F		
11	8664-305-250-10	FRAME/SIDE/RH COMP	*	1			7F		
12	8664-305-230-00	FRAME/REAR COMP	*	1					
13	8664-305-260-00	FRAME/LOWER COMP	*	1			7F		
14	V211-660-804-00	BOLT/SP	*	8					
15	8664-305-001-00	NET/REAR	*	1			7F		
16	8664-305-002-00	COVER/CONTAINER/FRON	*	1					
17	8664-305-003-00	COVER/CONTAINER/REAR	*	1					
18	8664-305-004-00	BOLT/SP/M08X20	*	9					
19	8664-305-005-00	BOLT/SP/M08X40	*	2					
20	8664-305-320-00	PLATE/COVER/FRONT	*	1					
21	V362-260-008-00	NUT/WASHER	*	2					
22	8664-305-330-00	PLATE/COVER/REA COMP	*	1					
23	V760-150-000-00	NIPPLE,GREASE	*	1					

FIG. 4 CONTAINER SYSTEM (H TYPE)

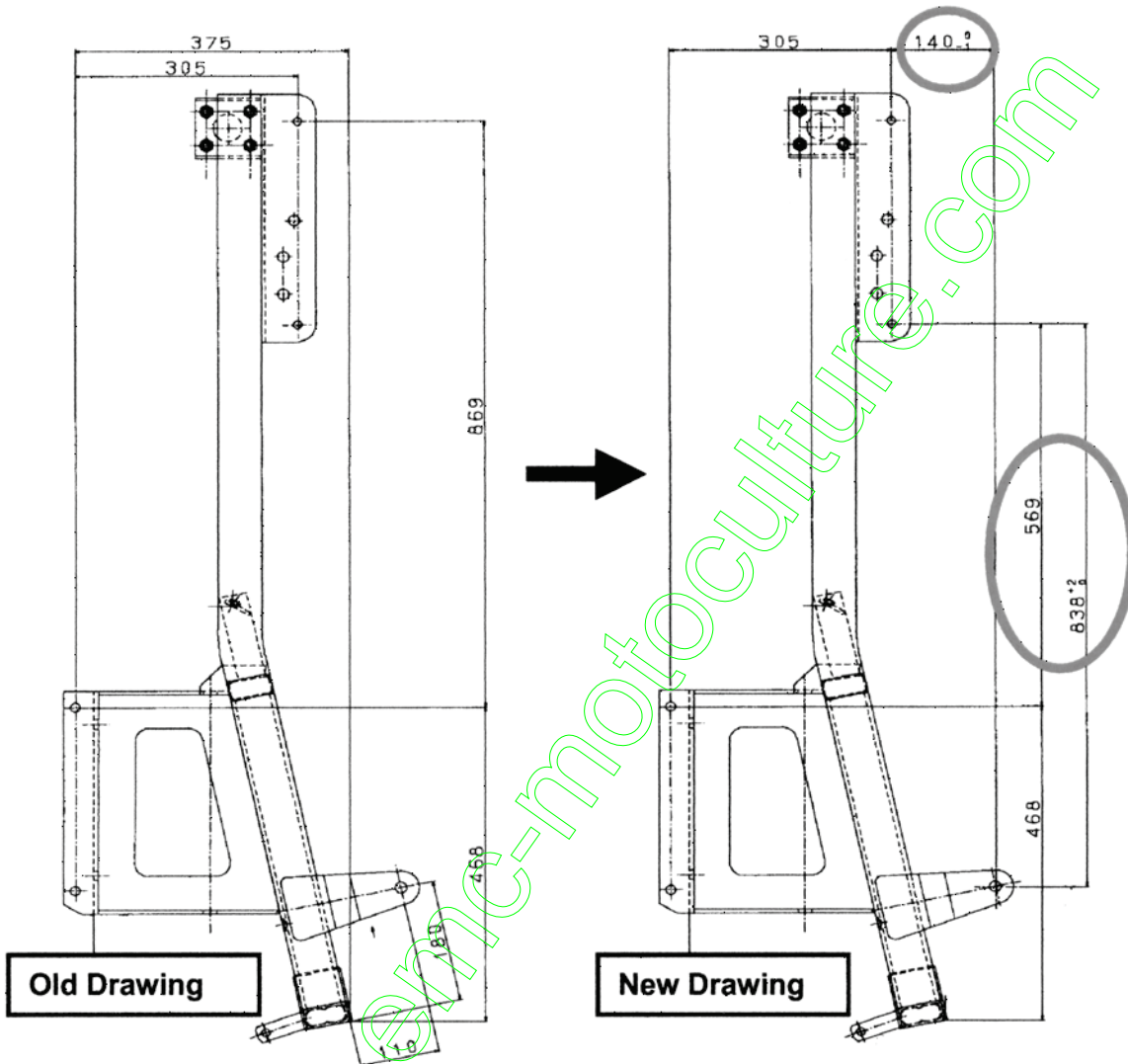
8664-355 -0100

KEY	PART CODE	DESCRIPTION	S P C	TYPE OF MODEL		I T C	C O L	G R P	REMARKS
				SBC550X					
1	8664-355-210-00	CONTAINER/FRONT COMP	*	1			7F		
2	V211-360-801-60	BOLT,SEMS (SP)	*	4					
3	V362-260-008-00	NUT/WASHER	*	2					
4	8664-355-310-10	PLATE/LOWER/FRONT	*	1					
5	V362-260-008-00	NUT/WASHER	*	2					
6	8664-355-220-10	FRAME/SIDE/LH COMP	*	1			7F		
7	8664-355-230-10	FRAME/SIDE/RH COMP	*	1			7F		
8	8664-305-230-00	FRAME/REAR COMP	*	1					
9	8664-355-240-00	FRAME/LOWER COMP	*	1			7F		
10	V211-660-804-00	BOLT/SP	*	8					
11	8664-355-250-10	FRAME/COVER/LH COMP	*	1					
12	8664-355-260-10	FRAME/COVER/RH COMP	*	1					
13	8664-355-270-00	FRAME/REAR/UPPE COMP	*	1					
14	8664-355-280-00	FRAME/REAR/LOWE COMP	*	1					
15	V211-660-804-00	BOLT/SP	*	8					
16	8664-455-001-00	COLLAR/12X20X41	*	2					
17	V201-361-206-50	BOLT	*	2					
18	V304-260-012-00	NUT/M12	*	2					
19	V401-160-012-00	WASHER,SP/M12	*	2					
20	8664-305-001-00	NET/REAR	*	1			7F		
21	8664-355-002-00	COVER/CONTAINER/FRON	*	1					
22	8664-305-003-00	COVER/CONTAINER/REAR	*	1					
23	8664-355-003-00	COVER/CONTAINER/SIDE	*	1					
24	8664-355-004-00	COVER/CONTAINER/SIDE	*	1					
25	8664-305-004-00	BOLT/SP/M08X20	*	15					
26	8664-305-005-00	BOLT/SP/M08X40	*	2					
27	8664-355-320-00	PLATE/U/749X25 COMP	*	1					
28	V211-360-804-00	BOLT	*	2					
29	8664-305-330-00	PLATE/COVER/REA COMP	*	1					

PRODUCT: SBC550XH
SUBJECT: Change of frame tolerance
Date: 21/10/2004
O.I.T.I.N. AT0410140

INF. NO. PI 2004-41

1. DESCRIPTION



2. PART NUMBERS

N°	Old description	Old part number	Qty.	New description	New part number	Qty.
1	Frame/Collector/Comp	8664-155-210-5F	1	Frame/Collector/Comp	8664-155-210-6G	1

3. CUT-IN

These changes has been affected on production machines from serial numbers:
 SBC550XHE4: 2004 October production

4. CHANGES

By changing the tolerance of the frame, regular size, the assembly of the collector will be easier.

Note: This bulletin is technical information only, therefore it is not an object for warranty claims.

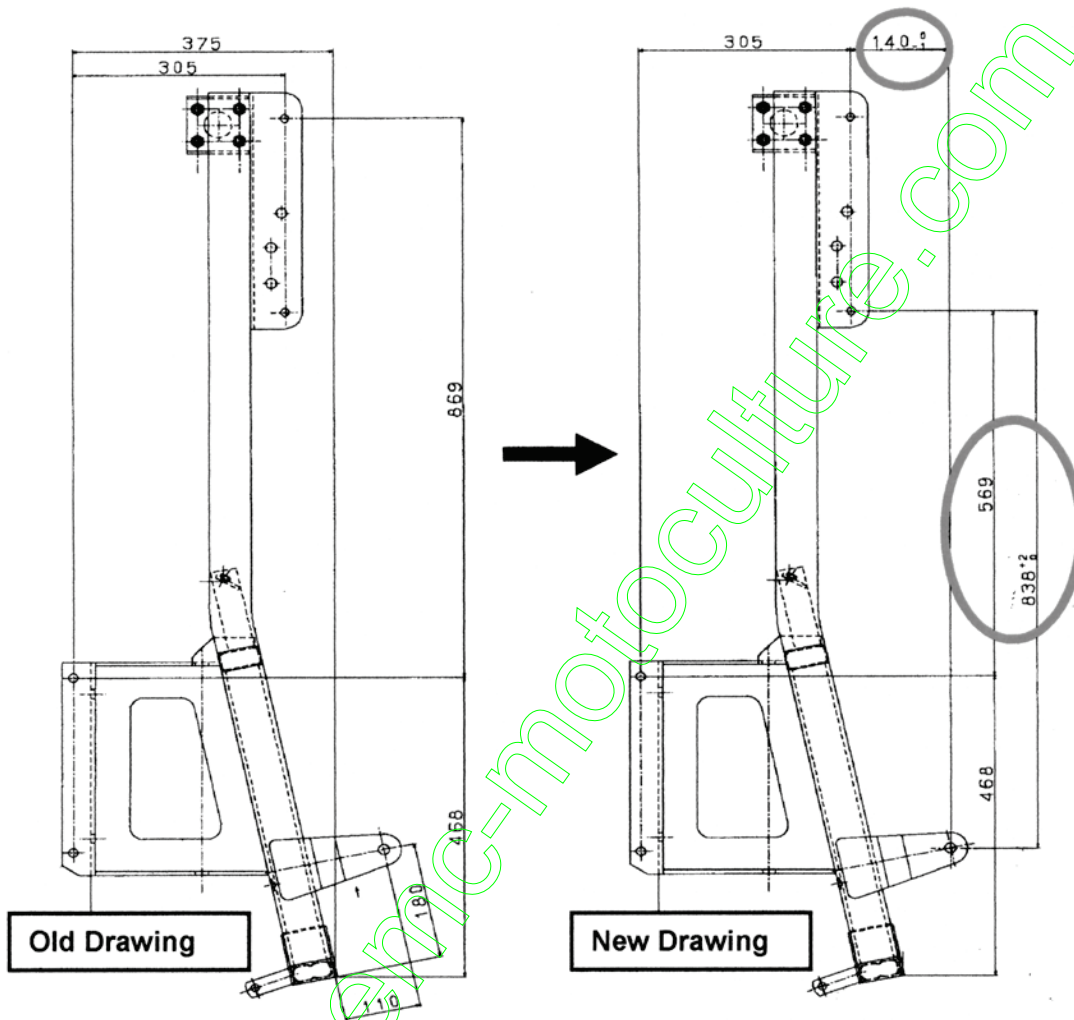
C:\My Documents\PDF MANUALS\Product Informations 2004\PI04-41 SBC550XH Frame tolerance.doc

Dirk Croes

PRODUCT: SBC550XH
SUBJECT: Change of frame tolerance
Date: 21/10/2004
O.IT.I.N. AT0410140

INF. NO. PI 2004-41bis

1. DESCRIPTION



2. PART NUMBERS

N°	Old description	Old part number	Qty.	New description	New part number	Qty.
1	Frame/Collector/Comp	8664-155-210-5F	1	Frame/Collector/Comp	8664-155-210-6G	1

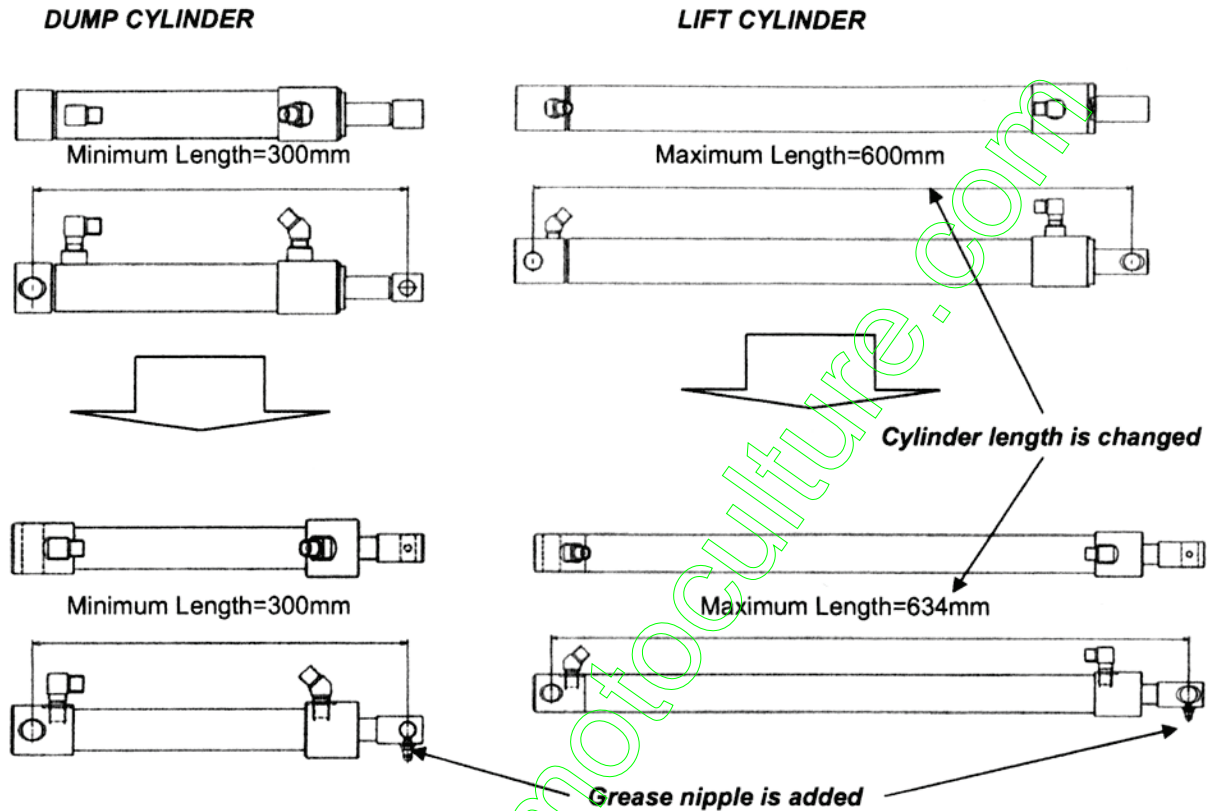
3. CUT-IN

These changes has been affected on production machines from serial numbers:
 SBC550XHE4: 001180~

4. CHANGES

By changing the tolerance of the frame, regular size, the assembly of the collector will be easier.

MODIFICATION OF THE HYDRAULIC CYLINDERS (N°2-4)



2. PART NUMBERS

N°	Old Parts Name	Old Parts Code	Qty	New Parts Name	New Parts Code	Qty
1	Frame/Collector Comp	8664-155-210-60	1	Frame Collector Comp	8664-155-210-80	1
2	Cylinder Assy	K185-077-000-00	2	Cylinder Assy	K185-077-000-10	2
5	Hose/Hydro/750Assy	8664-555-330-00	2	Hose/Hydro/800Assy	3807-352-230-00	2
6	Cylinder Assy	K185-078-000-00	2	Cylinder Assy	K185-078-000-10	2
3				Washer/Lock	V401-160-006-00	4
4				Nipple/Grease	V760-150-000-00	4

3. CUT-IN

SBC550XHE4 : 001180~

4. CHANGES

The plate added, is for the reinforcement of the frame.
We changed the cylinders, because the location of the plate is changed.

Note: This bulletin is technical information only, therefore it is not an object for warranty claims.

C:\Documents and Settings\Marc Van Boven\Desktop\PI05-02 SBC550XHE4 Modification of collector frame and cylinders.doc

Dirk Croes

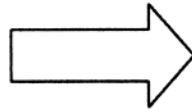
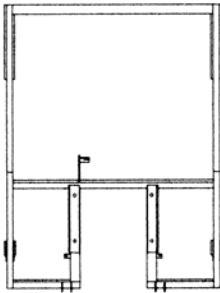
PRODUCT: SBC550XHE4
SUBJECT: Replacement and reinforcement of the collector frame
Date: 26/04/2005
O.I.T.I.N. AT0319160

INF. NO. PI 2005-17

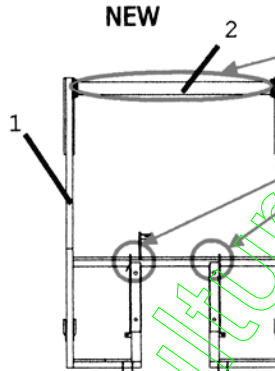
1) Description

Difference between old and new frame

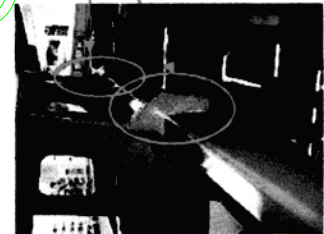
OLD



NEW



Tube can be separated
Reinforced Plate



NO	OLD PARTS NAME	OLD PARTS CODE	QTY	NEW PARTS NAME	NEW PARTS CODE	QTY
1	FRAME/COLLECTOR COMP	8664-155-210-30	1	FRAME/COLLECTOR COMP	8664-155-210-40	1
			2	TUBE/927 COMP	8664-155-250-00	1

2) Cut-in serial number
SBC550XHE4 : 00787-

3) Changes

The tube can now be separated from the main collector frame.
The frame is reinforced by an extra plate.

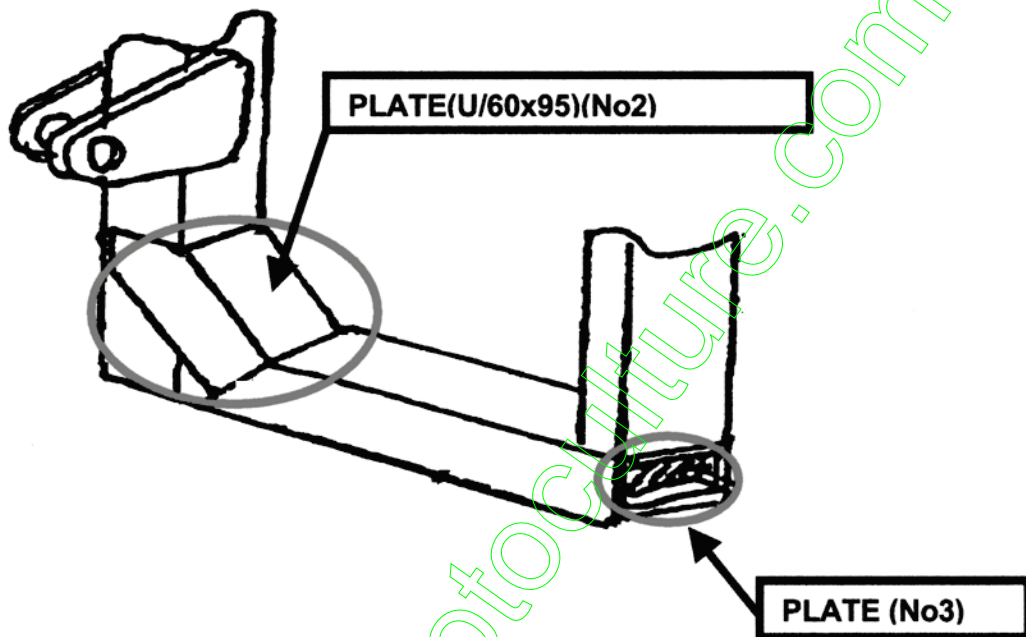
Note: This bulletin is technical information only; therefore it is not an object for warranty claims.

Jonas Vleugels

PRODUCT: SBC550XHE4
SUBJECT: Reinforcement plate to the SBC550XHE4 HIGH-DUMP
Date: 18/10/2004
O.I.T.I.N. AT0408680

INF. NO. PI 2004-37

1. DESCRIPTION



2. PART NUMBERS

N°	Old description	Old part number	Qty.	New description	New part number	Qty.
1	Frame(collector) Comp	8664-155-210-4E	1	Frame (collector) Comp	8664-155-210-5F	1
				Plate (U/60X95)	8664-155-225-0	2
				Plate	8664-155-224-0	2

3. CUT-IN

These changes has been affected on production machines from serial numbers:

SCMA48:

SCMA54:

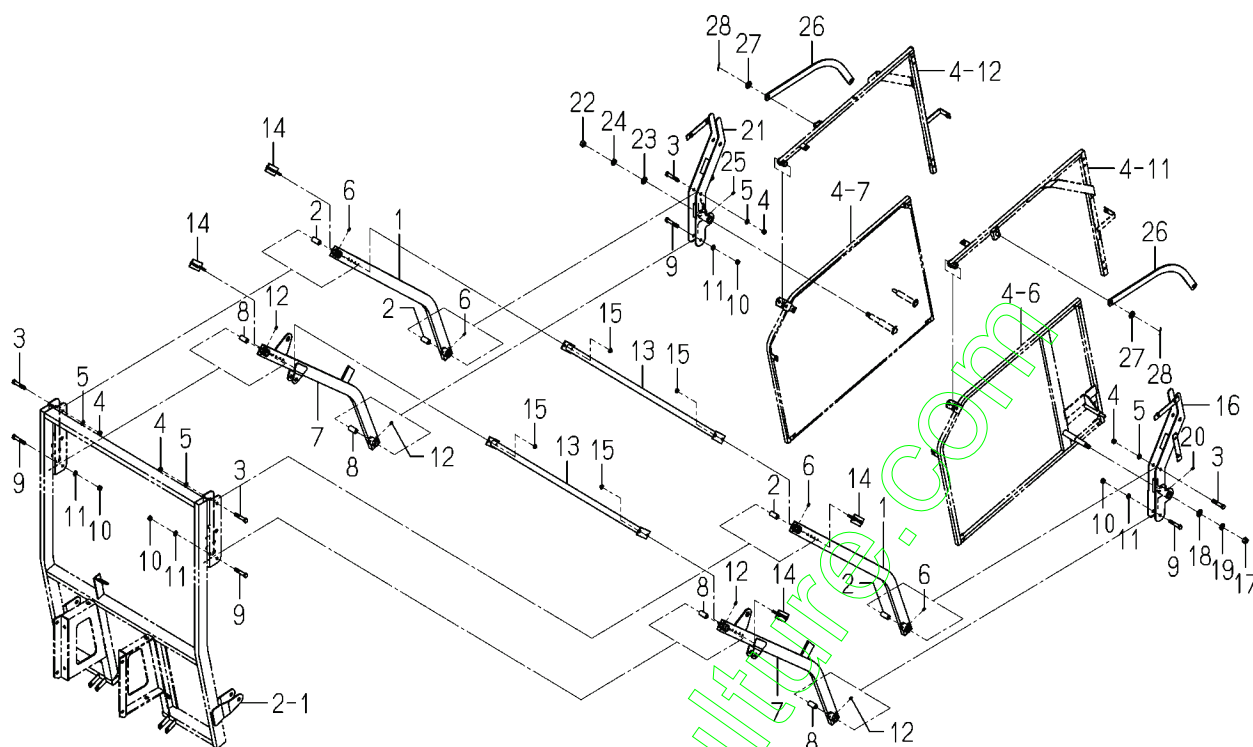
4. CHANGES

Reinforcement plate is added in order to avoid the collector frame of breaking

Note: This bulletin is technical information only, therefore it is not an object for warranty claims.

C:\My Documents\PDF MANUALS\Product Informations 2004\PI04-37 SBC550XHE4 reinforcement
 frame.doc
 Dirk Croes

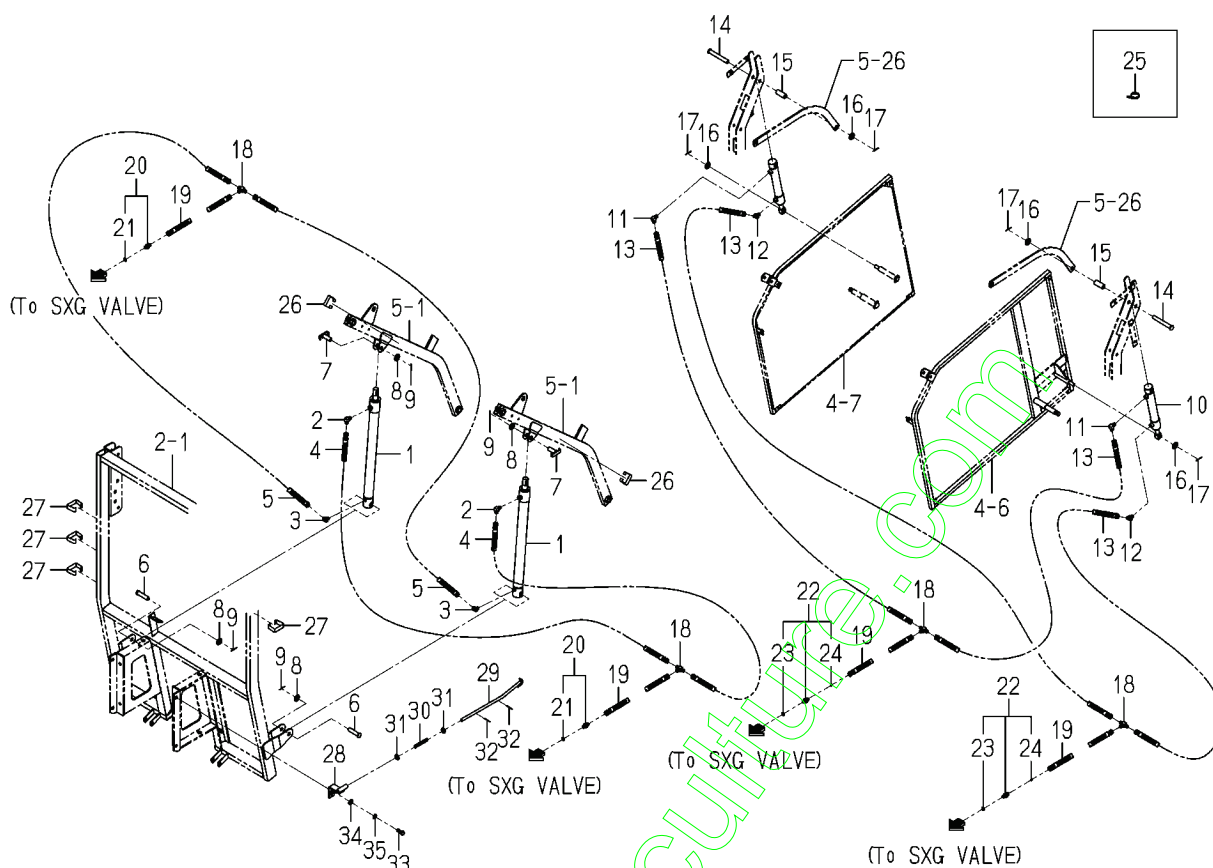
FIG. 5 LINK SYSTEM (H TYPE)



8664-455-0100

KEY	PART CODE	DESCRIPTION	S P C	TYPE OF MODEL		I T C	C O L	G R P	REMARKS
				SBC550X					
1	8664-455-210-00	LINK/A COMP	*	2					
2	8664-455-001-00	COLLAR/12X20X41	*	4					
3	V201-361-206-50	BOLT	*	4					
4	V304-260-012-00	NUT/M12	*	4					
5	V401-160-012-00	WASHER,SP/M12	*	4					
6	V760-150-000-00	NIPPLE,GREASE	*	4					
7	8664-455-220-00	LINK/B COMP	*	2					
8	8664-455-001-00	COLLAR/12X20X41	*	4					
9	V201-361-206-50	BOLT	*	4					
10	V304-260-012-00	NUT/M12	*	4					
11	V401-160-012-00	WASHER,SP/M12	*	4					
12	V760-150-000-00	NIPPLE,GREASE	*	4					
13	8664-455-230-00	BAR COMP	*	2					
14	8664-455-240-00	PLATE/I/38X80 COMP	*	4					
15	V362-260-008-00	NUT/WASHER	*	8					
16	8664-455-250-10	BRACKET/LINK/LH COMP	*	1					
17	V304-260-016-00	NUT/M16	*	1					
18	V411-260-016-00	WASHER / M16	*	1					
19	V401-160-016-00	WASHER,SP/M16	*	1					
20	V760-150-000-00	NIPPLE,GREASE	*	1					
21	8664-455-260-10	BRACKET/LINK/RH COMP	*	1					
22	V304-260-016-00	NUT/M16	*	1					
23	V411-260-016-00	WASHER / M16	*	1					
24	V401-160-016-00	WASHER,SP/M16	*	1					
25	V760-150-000-00	NIPPLE,GREASE	*	1					
26	8664-455-002-00	LINK/C	*	2					
27	V411-260-016-00	WASHER / M16	*	2					
28	V500-163-003-00	PIN,SPLIT/3X30	*	2					

FIG. 7 CYLINDER SYSTEM (H TYPE)



8664-555-0100

KEY	PART CODE	DESCRIPTION	S P C	TYPE OF MODEL		I T C	C O L	G R P	REMARKS
				SBC550X					
1	K 185-077-000-00	CYLINDER ASSY	*	2					FIG 013
2	3768-185-022-10	ADAPTER(90B/PUMP)	*	2					
3	3631-350-201-10	ADAPTER/45B	*	2					
4	3650-837-240-00	HOSE/HYDRAULIC/1100	*	2					
5	3650-380-230-00	HOSE/HYDRAULIC/750	*	2					
6	8664-555-001-00	PIN/16X66	*	2					
7	8664-555-280-00	PIN/16X46 COMP	*	2					
8	V 411-260-016-00	WASHER / M16	*	4					
9	V 500-163-003-00	PIN,SPLIT/3X30	*	4					
10	K 185-078-000-00	CYLINDER ASSY	*	2					FIG 014
11	3768-185-022-10	ADAPTER(90B/PUMP)	*	2					
12	3631-350-201-10	ADAPTER/45B	*	2					
13	3651-375-200-00	HOSE/HYDRAULIC/2650	*	4					
14	8664-555-005-00	PIN/16X120	*	2					
15	8664-555-002-00	COLLAR/17X22X53	*	2					
16	V 411-260-016-00	WASHER / M16	*	4					
17	V 500-163-003-00	PIN,SPLIT/3X30	*	4					
18	8664-555-003-00	ADAPTER/T	*	4					
19	3664-351-006-00	HOSE ASSY	*	4					
20	8664-555-250-00	ADAPTER/G1/4 ASSY	*	2					
21	V 720-112-401-10	RING/O	*	2					
22	8664-555-270-00	ADAPTER/ORIFICE ASSY	*	2					
23	V 720-112-401-10	RING/O	*	2					
24	K 211-004-014-00	SCREW,ORIFICE	*	2					
25	1342-402-006-00	BAND,WIRE/250	*	10					
26	8664-555-007-10	CLAMP/HOSE/50	*	14					
27	8664-555-008-10	CLAMP/HOSE/60	*	10					
28	8664-555-230-10	GUIDE COMP	*	1					
29	8664-555-240-20	BAR COMP	*	1					
30	3656-480-002-00	SPRING/HC084	*	1					

Numerical Index

8663-097-100-00

Part Code	Fig.Key	Part Code	Fig.Key	Part Code	Fig.Key
1560-601-028-00	5 3	8654-101-233-00	11 7	8663-402-210-20	5 1
	6 3	8654-201-410-10	1 15	8663-406-001-00	5 9
	8 3	8654-202-016-00	3 12		6 9
	8 7	8654-301-004-00	4 6	8663-406-210-00	5 7
1593-901-015-00	9 6	8654-501-283-00	7 5	8663-407-001-00	5 13
1594-218-001-00	1 12	8654-901-002-00	9 5	8663-407-002-00	5 14
	2 12	8657-101-501-00	10 1	8663-501-001-00	7 6
1594-221-001-00	4 8		11 2	8663-501-210-00	7 1
2500-901-014-30	9 4	8657-101-511-00	11 3	8663-501-220-00	7 2
2500-901-027-00	9 1	8657-101-811-00	11 4	8663-501-230-00	7 3
3670-520-001-00	3 2	8657-201-210-10	2 15	8663-608-210-00	8 1
3746-111-011-00	3 3	8657-501-530-00	7 4	8663-901-001-00	9 7
	3 13	8657-608-720-00	8 5	8665-201-001-00	1 16
	3 27	8659-101-210-00	1 1	8665-202-210-00	3 29
7955-201-026-00	1 5	8659-101-231-00	10 6	8665-203-001-00	3 31
	1 8	8662-101-210-00	2 1	8665-306-001-00	4 19
	2 5	8663-201-001-10	1 4	8665-306-002-00	4 20
	2 8		2 4	8665-402-210-20	6 1
8595-201-013-00	1 11	8663-201-002-00	1 7	8665-406-210-00	6 7
	2 11		2 7	8665-407-001-00	6 13
8595-201-021-00	1 20	8663-201-003-00	2 16	8665-407-002-00	6 14
	2 20	8663-201-004-00	1 18	V201-261-604-00	3 25
8595-201-022-00	1 21		2 18	V203-361-203-50	4 17
	2 21	8663-201-005-00	1 19	V211-260-801-60	1 10
8595-201-025-00	1 14		2 19		2 10
	2 14	8663-202-002-10	3 1	V211-261-002-50	3 17
8595-501-001-10	7 10	8663-202-003-00	3 7		3 19
8595-505-051-30	7 11	8663-202-210-00	3 6		4 2
8595-608-082-00	5 2	8663-202-220-10	3 11	V211-261-003-50	1 6
	6 2	8663-202-230-00	3 20		2 6
	8 2	8663-202-250-00	3 16	V301-260-005-00	3 9
	8 6	8663-202-260-10	3 18	V304-260-008-00	5 11
8595-901-006-00	9 2	8663-202-270-20	3 24		6 11
8595-901-007-00	9 3	8663-203-001-00	3 30	V304-260-010-00	3 28
8654-101-212-00	10 2	8663-301-001-00	4 3	V304-460-016-00	3 4
8654-101-221-00	10 7	8663-301-002-00	4 11		3 14
	11 1	8663-301-003-00	4 1		7 8
8654-101-230-00	10 3	8663-306-001-00	4 13	V334-460-022-00	8 9
	10 8	8663-306-002-00	4 14	V360-260-012-00	7 12
	11 5	8663-306-004-00	4 16	V363-260-008-00	5 8
8654-101-232-00	10 4	8663-306-210-00	4 15		5 10
	10 9	8663-402-002-00	5 5		5 15
	11 6		6 5		6 8
8654-101-233-00	10 5	8663-402-003-00	5 6		6 10
	10 10		6 6		6 15

Part Code	Fig.Key	Part Code	Fig.Key	Part Code	Fig.Key
V401-160-005-00	3 8				
V401-160-012-00	4 18				
V401-160-016-00	3 5				
	3 15				
	3 26				
	7 9				
V411-260-008-00	5 12				
	6 12				
V522-100-801-80	4 12				
V580-140-504-00	5 4				
	6 4				
	8 4				
	8 8				
V580-140-804-00	1 2				
	2 2				
V600-110-620-60	1 22				
	2 22				
V600-110-630-40	1 17				
	2 17				
V600-110-690-80	4 5				
V600-150-630-40	3 21				
V704-140-020-00	3 23				
V705-140-052-00	3 22				
	4 10				
V706-140-050-00	3 10				
V707-140-062-00	1 13				
	2 13				
	4 7				
V721-103-108-00	1 9				
	2 9				
V744-130-551-20	1 23				
	2 23				
V744-135-520-80	4 9				
V760-150-000-00	4 4				
	7 7				

Numerical Index

8664-097-100-00

Part Code	Fig.Key	Part Code	Fig.Key	Part Code	Fig.Key
1305-931-003-00	6 15	8664-305-001-00	4 20	8664-505-002-00	6 8
1342-402-006-00	6 14	8664-305-002-00	3 16	8664-505-003-00	6 9
	7 25	8664-305-003-00	3 17	8664-505-210-00	6 1
1518-519-001-00	12 6		4 22	8664-555-001-00	7 6
1593-901-015-00	10 5	8664-305-004-00	3 18	8664-555-002-00	7 15
	11 5		4 25	8664-555-003-00	7 18
1614-129-003-00	8 5	8664-305-005-00	3 19	8664-555-005-00	7 14
	9 5		4 26	8664-555-007-10	7 26
1614-261-300-00	8 3	8664-305-200-10	3 3	8664-555-008-10	7 27
	9 3	8664-305-201-00	3 4	8664-555-230-10	7 28
1716-680-222-00	1 10	8664-305-210-00	3 1	8664-555-240-20	7 29
	2 15	8664-305-230-00	3 12	8664-555-250-00	6 12
1716-680-330-00	1 9		4 8		7 20
	2 14	8664-305-240-10	3 10	8664-555-270-00	7 22
2143-744-001-00	8 6	8664-305-250-10	3 11	8664-555-280-00	7 7
	9 6	8664-305-260-00	3 13	8664-605-001-10	8 7
2500-210-016-00	1 7	8664-305-280-00	3 8		9 7
	2 8	8664-305-310-00	3 6	8664-605-210-10	8 1
2500-901-027-00	10 1	8664-305-320-00	3 20		9 1
	11 1	8664-305-330-00	3 22	8664-605-220-00	8 12
3631-350-201-10	7 3		4 29	8664-655-210-00	9 12
	7 12	8664-355-002-00	4 21	8664-905-001-00	10 2
3650-380-230-00	7 5	8664-355-003-00	4 23		11 2
3650-837-240-00	7 4	8664-355-004-00	4 24	8664-905-002-00	10 3
3651-375-200-00	7 13	8664-355-210-00	4 1		11 3
3656-480-002-00	7 30	8664-355-220-10	4 6	8664-905-003-00	10 6
3664-276-001-00	8 4	8664-355-230-10	4 7		11 7
	9 4	8664-355-240-00	4 9	8664-905-004-00	10 7
3664-351-006-00	6 6	8664-355-250-10	4 11	8664-955-001-00	11 8
	7 19	8664-355-260-10	4 12	8664-955-002-00	11 9
3768-185-022-10	6 5	8664-355-270-00	4 13	8664-955-003-00	11 10
	7 2	8664-355-280-00	4 14	K182-034-002-00	13 9
	7 11	8664-355-310-10	4 4	K182-034-003-00	13 10
8595-901-005-00	10 4	8664-355-320-00	4 27	K185-003-005-00	13 2
	11 4	8664-455-001-00	4 16	K185-021-000-00	6 4
8595-901-007-00	11 6		5 2	K185-021-001-00	12 1
8664-105-001-00	1 8		5 8	K185-021-002-00	12 2
	2 13	8664-455-002-00	5 26	K185-021-003-00	12 3
8664-105-210-10	1 1	8664-455-210-00	5 1	K185-021-004-00	12 4
8664-105-230-00	1 4	8664-455-220-00	5 7	K185-021-200-00	12 7
8664-155-001-00	2 5	8664-455-230-00	5 13	K185-021-202-00	12 8
8664-155-210-30	2 1	8664-455-240-00	5 14	K185-021-203-00	12 9
8664-155-230-00	2 4	8664-455-250-10	5 16	K185-031-003-00	13 3
8664-155-240-00	2 9	8664-455-260-10	5 21	K185-032-001-00	13 1
8664-305-001-00	3 15	8664-505-001-00	6 7	K185-032-200-00	13 8

Numerical Index

8664-097-100-00

Part Code	Fig.	Key	Part Code	Fig.	Key	Part Code	Fig.	Key
K185-077-000-00	7	1	V401-160-012-00	1	3	V730-102-802-20	14	4
K185-077-001-00	13	7		2	3	V730-103-202-60	14	12
K185-078-000-00	7	10		4	19	V730-103-502-90	13	4
K185-078-001-00	14	1		5	5	V760-150-000-00	3	23
K185-078-200-00	14	7		5	11		5	6
K185-078-300-00	14	8		6	3		5	12
K211-004-014-00	7	24		7	35		5	20
K211-035-009-00	2	12	V401-160-016-00	5	19		5	25
P103-731-285-00	14	2		5	24			
P103-731-302-00	14	10	V411-260-006-00	8	9			
P112-711-253-00	14	3		9	9			
P112-712-360-00	14	9	V411-260-012-00	1	5			
V201-361-202-50	1	2		2	6			
	2	2		7	31			
	6	2		7	34			
V201-361-203-00	7	33	V411-260-016-00	2	10			
V201-361-206-50	4	17		5	18			
	5	3		5	23			
	5	9		5	27			
V210-260-601-60	1	11		6	10			
	2	16		7	8			
V211-360-801-60	4	2		7	16			
V211-360-804-00	4	28	V500-162-002-00	8	10			
V211-560-804-50	3	5		9	10			
V211-660-804-00	3	14	V500-163-003-00	1	6			
	4	10		2	7			
	4	15		2	11			
V304-260-012-00	4	18		5	28			
	5	4		6	11			
	5	10		7	9			
V304-260-016-00	5	17		7	17			
	5	22		7	32			
V360-260-006-00	3	7	V720-112-401-10	6	13			
	8	2		7	21			
	9	2		7	23			
V362-260-008-00	3	2	V720-113-502-20	14	5			
	3	9	V720-113-502-60	14	11			
	3	21	V720-113-502-90	13	5			
	4	3	V720-113-503-40	13	11			
	4	5	V721-113-106-00	12	10			
	5	15	V723-101-500-90	14	6			
V371-160-006-00	8	8	V723-102-003-20	14	13			
	9	8	V723-102-006-70	12	11			
V401-160-006-00	8	11	V723-111-501-20	13	6			
	9	11	V723-111-502-00	12	5			

Alphabetical Index

8663-097-100-00

Description	Fig.Key	Description	Fig.Key	Description	Fig.Key
ARM/FRONT COMP	8 1	FITTINGYOKE	10 7	PIN	4 12
AS YOKE ASSY	10 1	FITTINGYOKE	11 1	PIN,SPRING/5 X40 W	5 4
AS YOKE ASSY	11 2	FLANGE/PULLY	3 1	PIN,SPRING/5 X40 W	6 4
BASE/LH COMP	3 16	FORK/M22 COMP	8 5	PIN,SPRING/5 X40 W	8 4
BASE/LH COMP	3 29	FORK/WHEEL/LH COMP	7 1	PIN,SPRING/5 X40 W	8 8
BASE/RH COMP	3 18	FORK/WHEEL/RH COMP	7 2	PIN,SPRING/8 X40 W	1 2
BEARING	4 5	GEAR/BEVEL/25-1 SET	2 15	PIN,SPRING/8 X40 W	2 2
BEARING, RB/6206	1 22	GEAR/BEVEL/25-2 SET	1 15	PIN/08X56 COMP	7 3
BEARING, RB/6206	2 22	GREASENIPPLE	10 4	PIN/12X117	7 11
BEARING, RB/6304	1 17	GREASENIPPLE	10 9	PIN/16X96	5 2
BEARING, RB/6304	2 17	GREASENIPPLE	11 6	PIN/16X96	6 2
BEARING, RB/6304SS	3 21	JOINT/UNIVERSAL SET	1 1	PIN/16X96	8 2
BEARING/BALL 6205SH2	4 8	JOINT/UNIVERSAL SET	2 1	PIN/16X96	8 6
BEARING/BALL 6305SH2	1 12	JOURNALCROSSE ASSY	10 3	PIN/22X103	7 6
BEARING/BALL 6305SH2	2 12	JOURNALCROSSE ASSY	10 8	PLATE/1/60X110 COMP	4 15
BELT/D/STS/2800	3 30	JOURNALCROSSE ASSY	11 5	PLATE/TENSION COMP	3 24
BELT/D/STS/2880	3 31	KEY/06X06X28	3 12	PLUG, DRAIN (1/4)	1 5
BLADE/60X640/A	4 13	KEY/08X07X20	3 2	PLUG, DRAIN (1/4)	1 8
BLADE/60X640/B	4 14	LABEL/CE	9 1	PLUG, DRAIN (1/4)	2 5
BLADE/60X716/A	4 19	LABEL/DANGER	9 4	PLUG, DRAIN (1/4)	2 8
BLADE/60X716/B	4 20	LABEL/GAUGEWHEEL	9 7	PLUG/HOSE/A	5 5
BOLT	4 17	LABEL/MAINTENANCE	9 6	PLUG/HOSE/A	6 5
BOLT(S) M10X25	3 17	LABEL/PTO	9 5	PLUG/HOSE/B	5 6
BOLT(S) M10X25	3 19	LABEL/WARNING/BELT	9 2	PLUG/HOSE/B	6 6
BOLT(S) M10X25	4 2	LABEL/WARNING/HOT	9 3	PULLY/STS/32 COMP	3 20
BOLT, SEMS	1 6	METAL/BLADE	4 1	PULLY/STS/62 COMP	3 6
BOLT, SEMS	2 6	NIPPLE, GREASE	4 4	PULLY/STS/72 COMP	3 11
BOLT, SEMS (S) M8X16	1 10	NIPPLE, GREASE	7 7	RING, SNAP/20C	3 23
BOLT, SEMS (S) M8X16	2 10	NUT	3 28	RING, SNAP/52 C	3 22
BOLT/M05X35	3 7	NUT	5 11	RING, SNAP/52 C	4 10
BOLT/M16X40	3 25	NUT	6 11	RING/SNAP	1 13
BUSH/22X25X25	7 5	NUT	8 9	RING/SNAP	2 13
CASE/BEVEL	1 4	NUT/M16	3 4	RING/SNAP	3 10
CASE/BEVEL	2 4	NUT/M16	3 14	RING/SNAP	4 7
COLLAR/BLADE	4 11	NUT/M16	7 8	SEAL, OIL/TC305512	1 23
COVER/BELT/LH	5 13	NUT/M5	3 9	SEAL, OIL/TC305512	2 23
COVER/BELT/LH	6 13	NUT/WASHER	5 8	SEAL, OIL/TC35528	4 9
COVER/BELT/RH	5 14	NUT/WASHER	5 10	SEAL/OIL	1 14
COVER/BELT/RH	6 14	NUT/WASHER	5 15	SEAL/OIL	2 14
COVER/CASE	1 7	NUT/WASHER	6 8	SEAL/OIL	4 6
COVER/CASE	2 7	NUT/WASHER	6 10	SHAFT YOKE ASSY	11 3
COVER/DISCHARGE COMP	5 7	NUT/WASHER	6 15	SHAFT/BLADE	4 3
COVER/DISCHARGE COMP	6 7	NUT/WASHER	7 12	SHAFT/INPUT	1 11
DECK/MOWER/48 COMP	5 1	O-RING/G80	1 9	SHAFT/INPUT	2 11
DECK/MOWER/54 COMP	6 1	O-RING/G80	2 9	SHAFT/OUTPUT	1 16

Alphabetical Index

8663-097-100-00

Description	Fig.Key	Description	Fig.Key	Description	Fig.Key
SHAFT/OUTPUT	2	16			
SHAFTYOKE ASSY	10	6			
SHIM/0.1	1	18			
SHIM/0.1	1	20			
SHIM/0.1	2	18			
SHIM/0.1	2	20			
SHIM/0.2	1	19			
SHIM/0.2	1	21			
SHIM/0.2	2	19			
SHIM/0.2	2	21			
SHIM/1.2	4	16			
SLEEVEYOKE ASSY	10	2			
SLEEVEYORK	11	4			
SPRING/HC042	5	3			
SPRING/HC042	6	3			
SPRING/HC042	8	3			
SPRING/HC042	8	7			
SPRING/HC110	5	9			
SPRING/HC110	6	9			
SURCLIP/HOLE	10	5			
SURCLIP/HOLE	10	10			
SURCLIP/HOLE	11	7			
WASHER	3	3			
WASHER	3	13			
WASHER	3	27			
WASHER, PL/M 8	5	12			
WASHER, PL/M 8	6	12			
WASHER, SP/M 5	3	8			
WASHER, SP/M12	4	18			
WASHER, SP/M16	3	5			
WASHER, SP/M16	3	15			
WASHER, SP/M16	3	26			
WASHER, SP/M16	7	9			
WHEEL/GAUGE ASSY	7	4			
WHEEL/GAUGE/FRONT	7	10			

www.emic-motoculture.com

Alphabetical Index

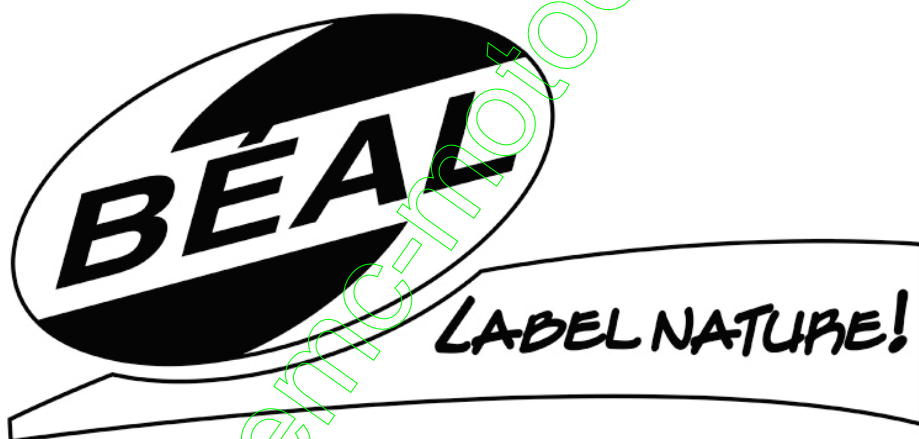
8664-097-100-00

Description	Fig.Key	Description	Fig.Key	Description	Fig.Key
ADAPTER (90° /PUMP)	6 5	CONTAINER/FRONT COMP	4 1	LABEL/CE	11 1
ADAPTER (90° /PUMP)	7 2	COVER/CONTAINER/FRON	3 16	LABEL/DANGER/DISCHAR	10 4
ADAPTER (90° /PUMP)	7 11	COVER/CONTAINER/FRON	4 21	LABEL/DANGER/DISCHAR	11 4
ADAPTER/45°	7 3	COVER/CONTAINER/REAR	3 17	LABEL/LIFT/H	11 10
ADAPTER/45°	7 12	COVER/CONTAINER/REAR	4 22	LABEL/LIFT/L	10 7
ADAPTER/G1/4 ASSY	6 12	COVER/CONTAINER/SIDE	4 23	LABEL/MAINTENANCE	10 5
ADAPTER/G1/4 ASSY	7 20	COVER/CONTAINER/SIDE	4 24	LABEL/MAINTENANCE	11 5
ADAPTER/ORIFICE ASSY	7 22	COVER/ROD SET	12 7	LABEL/WARNING/HOT	11 6
ADAPTER/T	7 18	COVER/ROD SET	13 8	LINK/A COMP	5 1
ARM	1 10	COVER/ROD SET	14 8	LINK/B COMP	5 7
ARM	2 15	COVER/UPPER/SUB COMP	3 6	LINK/C	5 26
BAND, WIRE/250	6 14	CYLINDER ASSY	6 4	NET/REAR	3 15
BAND, WIRE/250	7 25	CYLINDER ASSY	7 1	NET/REAR	4 20
BAR	1 8	CYLINDER ASSY	7 10	NIPPLE, GREASE	3 23
BAR	2 13	DUST SEAL	13 10	NIPPLE, GREASE	5 6
BAR COMP	5 13	FRAME/COLLECTOR COMP	1 1	NIPPLE, GREASE	5 12
BAR COMP	7 29	FRAME/COLLECTOR COMP	2 1	NIPPLE, GREASE	5 20
BOLT	4 17	FRAME/COVER/LH COMP	4 11	NIPPLE, GREASE	5 25
BOLT	4 28	FRAME/COVER/RH COMP	4 12	NUT, U	12 6
BOLT	5 3	FRAME/LOWER COMP	3 13	NUT, WING/M 6	8 8
BOLT	5 9	FRAME/LOWER COMP	4 9	NUT, WING/M 6	9 8
BOLT, SEMS (S)	1 11	FRAME/REAR COMP	3 12	NUT/CYLINDER	6 7
BOLT, SEMS (S)	2 16	FRAME/REAR COMP	4 8	NUT/M12	4 18
BOLT, SEMS (SP)	4 2	FRAME/REAR/LOWE COMP	4 14	NUT/M12	5 4
BOLT, SEMS/M8X45 7T	3 5	FRAME/REAR/UPPE COMP	4 13	NUT/M12	5 10
BOLT/M12X25	1 2	FRAME/SIDE/LH COMP	3 10	NUT/M16	5 17
BOLT/M12X25	2 2	FRAME/SIDE/LH COMP	4 6	NUT/M16	5 22
BOLT/M12X25	6 2	FRAME/SIDE/RH COMP	3 11	NUT/M27X2	6 8
BOLT/M12X30	7 33	FRAME/SIDE/RH COMP	4 7	NUT/M6	3 7
BOLT/SP	3 14	FRAME/UPPER ASSY	3 3	NUT/M6	8 2
BOLT/SP	4 10	GUIDE COMP	7 28	NUT/M6	9 2
BOLT/SP	4 15	HARNES/COLLECTOR/H	9 12	NUT/WASHER	3 2
BOLT/SP/M08X20	3 18	HARNES/COLLECTOR/L	8 12	NUT/WASHER	3 9
BOLT/SP/M08X20	4 25	HOOK COMP	1 4	NUT/WASHER	3 21
BOLT/SP/M08X40	3 19	HOOK COMP	2 4	NUT/WASHER	4 3
BOLT/SP/M08X40	4 26	HOSE ASSY	6 6	NUT/WASHER	4 5
BRACKET/LINK/LH COMP	5 16	HOSE ASSY	7 19	NUT/WASHER	5 15
BRACKET/LINK/RH COMP	5 21	HOSE/HYDRAULIC/1100	7 4	O-RING	13 6
BUSH/20X23X25	3 4	HOSE/HYDRAULIC/2650	7 13	O-RING G60	12 10
CLAMP/HOSE/50	7 26	HOSE/HYDRAULIC/750	7 5	O-RING/P26 HS90	14 11
CLAMP/HOSE/60	7 27	LABEL/CAUTION	10 6	ORNAMENT/SBC550/LH	10 2
COLLAR/12X20X41	4 16	LABEL/CAUTION	11 7	ORNAMENT/SBC550/LH	11 2
COLLAR/12X20X41	5 2	LABEL/CAUTION/D	11 8	ORNAMENT/SBC550/RH	10 3
COLLAR/12X20X41	5 8	LABEL/CAUTION/L	11 9	ORNAMENT/SBC550/RH	11 3
COLLAR/17X22X53	7 15	LABEL/CE	10 1	PACKING/PISTON	12 3

Alphabetical Index

8664-097-100-00

Description	Fig.Key	Description	Fig.Key	Description	Fig.Key
PACKING/ROD	12 8	RING/O	14 6	WASHER /M12	7 31
PACKING/ROD SET	14 9	RING/O	14 13	WASHER, SP/M12	4 19
PIN COMP	2 9	RING/WEAR	12 4	WASHER, SP/M12	5 5
PIN, HAIR	6 15	RING/WEAR	14 3	WASHER, SP/M12	5 11
PIN, SPLIT/2 X20	8 10	ROD PACKING	13 9	WASHER, SP/M16	5 19
PIN, SPLIT/2 X20	9 10	ROD/M6X80	8 7	WASHER, SP/M16	5 24
PIN, SPLIT/3X30	1 6	ROD/M6X80	9 7	WASHER/M12	7 34
PIN, SPLIT/3X30	2 7	ROD/PISTON	12 1	WEAR RING	13 3
PIN, SPLIT/3X30	2 11	ROD/PISTON	13 7		
PIN, SPLIT/3X30	5 28	ROD/PISTON COMP	14 7		
PIN, SPLIT/3X30	6 11	S. W	1 3		
PIN, SPLIT/3X30	7 9	S. W	2 3		
PIN, SPLIT/3X30	7 17	S. W	6 3		
PIN, SPLIT/3X30	7 32	S. W	7 35		
PIN/12X56	2 5	S. W	8 11		
PIN/16X120	7 14	S. W	9 11		
PIN/16X46 COMP	7 7	SCREW, ORIFICE	7 24		
PIN/16X65	6 9	SCREW/M03X20	8 5		
PIN/16X66	7 6	SCREW/M03X20	9 5		
PIN/20X405 COMP	3 1	SEAL/DUST	12 9		
PISTON	12 2	SEAL/DUST	14 10		
PISTON	13 1	SPRING/HC084	7 30		
PISTON	14 1	SPRING/HE060	8 6		
PLATE/COVER/FRONT	3 20	SPRING/HE060	9 6		
PLATE/COVER/REA COMP	3 22	SPRING/HE108	1 7		
PLATE/COVER/REA COMP	4 29	SPRING/HE108	2 8		
PLATE/I/38X80 COMP	5 14	SPRING/MAIN	2 12		
PLATE/IRX13X35	8 4	STAY/CYLINDER COMP	6 1		
PLATE/IRX13X35	9 4	SWITCH ASSY	8 3		
PLATE/LOWER/FRONT	3 8	SWITCH ASSY	9 3		
PLATE/LOWER/FRONT	4 4	SWITCH/LEVER ASSY	1 9		
PLATE/SENSOR COMP	8 1	SWITCH/LEVER ASSY	2 14		
PLATE/SENSOR COMP	9 1	U-NUT	13 2		
PLATE/U/749X25 COMP	4 27	U-NUT	14 2		
RING/BACKUP	13 4	WASHER / M16	2 10		
RING/BACKUP	14 4	WASHER / M16	5 18		
RING/BACKUP	14 12	WASHER / M16	5 23		
RING/O	6 13	WASHER / M16	5 27		
RING/O	7 21	WASHER / M16	6 10		
RING/O	7 23	WASHER / M16	7 8		
RING/O	12 5	WASHER / M16	7 16		
RING/O	12 11	WASHER / M6	8 9		
RING/O	13 5	WASHER / M6	9 9		
RING/O	13 11	WASHER /M12	1 5		
RING/O	14 5	WASHER /M12	2 6		



**Yvan Béal - 21, av. de l'Agriculture - B.P 16
Z.I. du Brézet - 63014 Clermont-Ferrand Cedex 2
Tél : 04 73 91 93 51 - Télécopie : 04 73 90 23 11
www.yvanbeal.fr - E-mail : info@yvanbeal.fr
R.C.S. B 304 973 886 - S.A.S. au capital de 612 000 €**