

ILLUSTRATED PARTS LIST

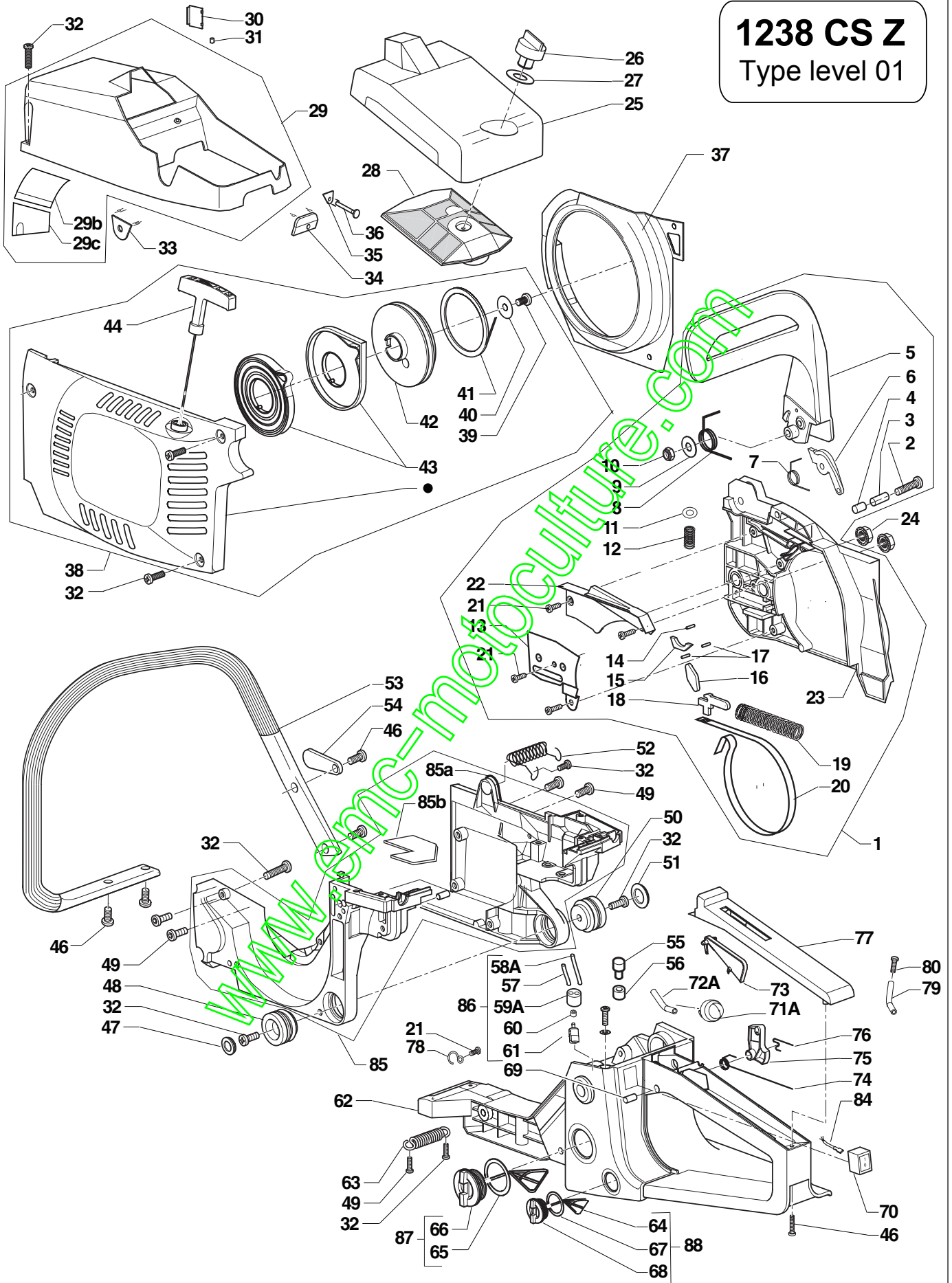
SG38/40CS

1238 CS Z

www.emc-motoculture.com

1238 CS Z

Type level 01



POS. CODICE Q.TA

1 SG2083750 1
2 SG2047041 1
3 SG2047042 1
4 SG2047043 1
5 SG2047044 1
6 SG2047045 1
7 SG2047046 1
8 SG2047047 1
9 SG2047048 1
10 SG2047049 1
11 SG2047050 1
12 SG2047051 1
13 SG2047052 1
14 SG2047053 1
15 SG2047054 1
16 SG2047055 1
17 SG2047056 3
18 SG2047057 1
19 SG2047058 1
20 SG2047059 1
21 SG2047063 4
22 SG2047061 1
23 SG2083751 1
24 SG2047064 2
25 SG2083752 1
26 SG2047066 1
27 SG2047067 1
28 SG2047068 1
29 SG2083753 1
29b SG2083770 1
29c SG2083771 1
30 SG2047070 1
31 SG2047071 1
32 SG2047072 12
33 SG2047073 1
34 SG2047074 1
35 SG2047075 1
36 SG2047076 1
37 SG2047078 1
38 SG2083754 1
39 SG2047079 1
40 SG2047080 1
41 SG2047081 1
42 SG2047082 1
43 SG2041320 1
44 SG2047085 1
46 SG2047087 6
47 SG2047088 1
48 SG2047090 1
49 SG2047091 5
50 SG2047092 1
51 SG2047093 1
52 SG2047094 1
53 SG2047095 1
54 SG2047096 1
55 SG2047097 1
56 SG2047100 1
57 SG2078980 1
58A SG2078990 1
59A SG2079000 1

POS. CODICE Q.TA

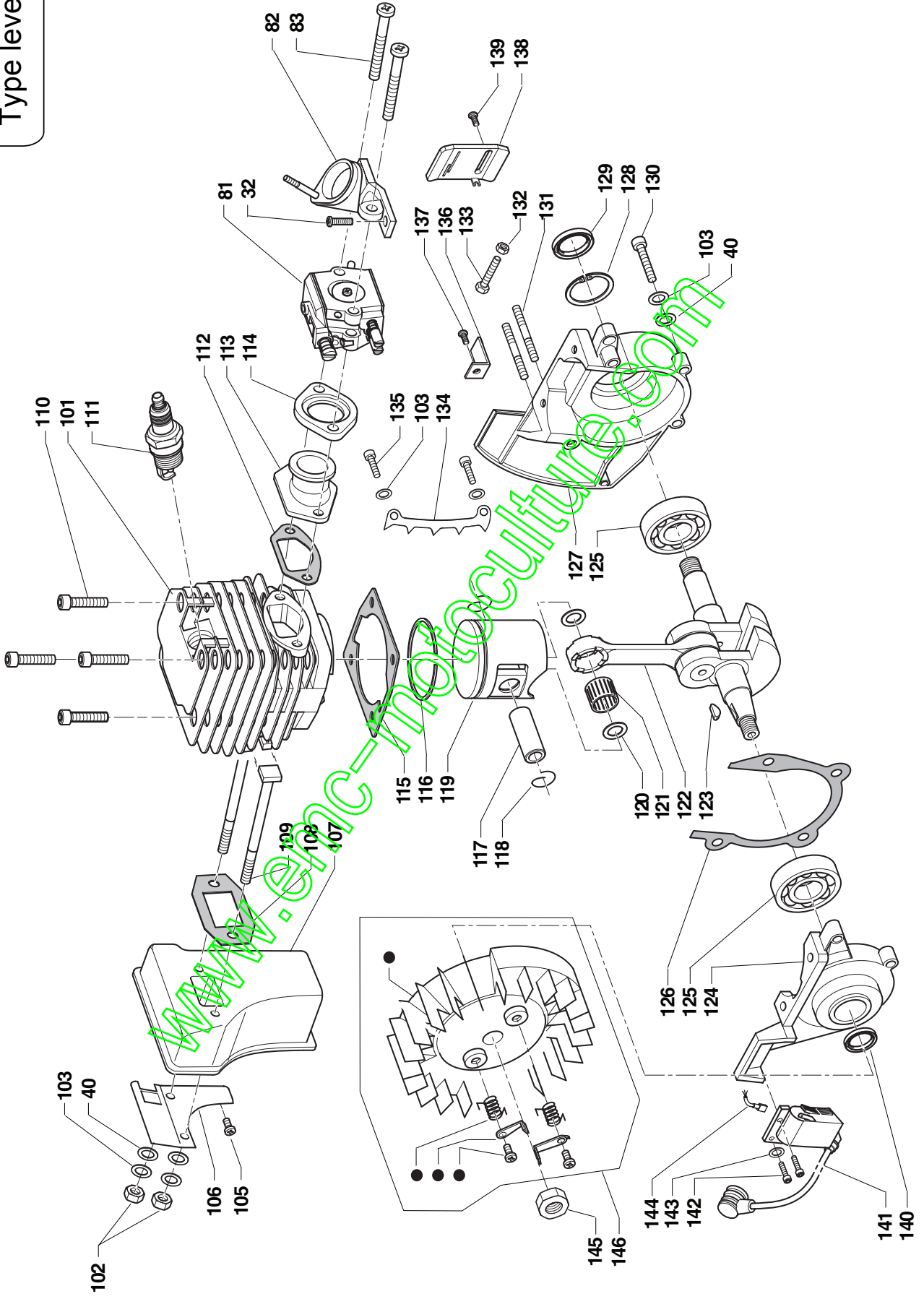
60 SG2081712 1
61 SG2047103 1
62 SG2083755 1
63 SG2047105 1
64 SG2047106 2
65 SG2047107 1
66 SG2047108 1
67 SG2047109 1
68 SG2047110 1
69 SG2047111 1
70 SG2047112 1
71A SG2056273 1
72A SG2083756 1
73 SG2047114 1
74 SG2047115 1
75 SG2047116 1
76 SG2047117 1
77 SG2047118 1
78 SG2081706 1
79 SG2081754 1
80 SG2081691 1
84 SG2081698 1
85 SG2083758 1
85a SG2083772 1
85b SG2083773 1
86 SG2083759 1
87 SG2083760 1
88 SG2083761 1

POS. CODICE Q.TA

1238 CS Z
Type level 01

1238 CS Z

Type level 01



POS. CODICE Q.TA

81 SG2083757 1
82 SG2047120 1
83 SG2047121 2

101 SG2083762 1
102 SG2047132 2
103 SG2056176 2

105 SG2047133 1
106 SG2047134 1
107 SG2083763 1

108 SG2047136 1
109 SG2047137 2
110 SG2047138 4

111 SG2047139 1
112 SG2047140 1
113 SG2047141 1

114 SG2047142 1
115 SG2047143 1
116 SG2047144 1

117 SG2047145 1
118 SG2047146 2
119 SG2047147 1

120 SG2047148 2
121 SG2047149 1
122 SG2047150 1

123 SG2047151 1
124 SG2047152 1
125 SG2047153 2

126 SG2047154 1
127 SG2047155 1
128 SG2047156 1

129 SG2047157 1
130 SG2047158 4
131 SG2047159 2

132 SG2047160 1
133 SG2047161 1

134 SG2040880 1
135 SG1040760 1
136 SG2047162 1

137 SG2037163 1
138 SG2047164 1
139 SG2047165 1

140 SG2047166 1
141 SG2047167 1
142 SG2047168 6

143 SG1039490 2

144 SG2047169 1
145 SG2047170 1
146 SG2047171 1

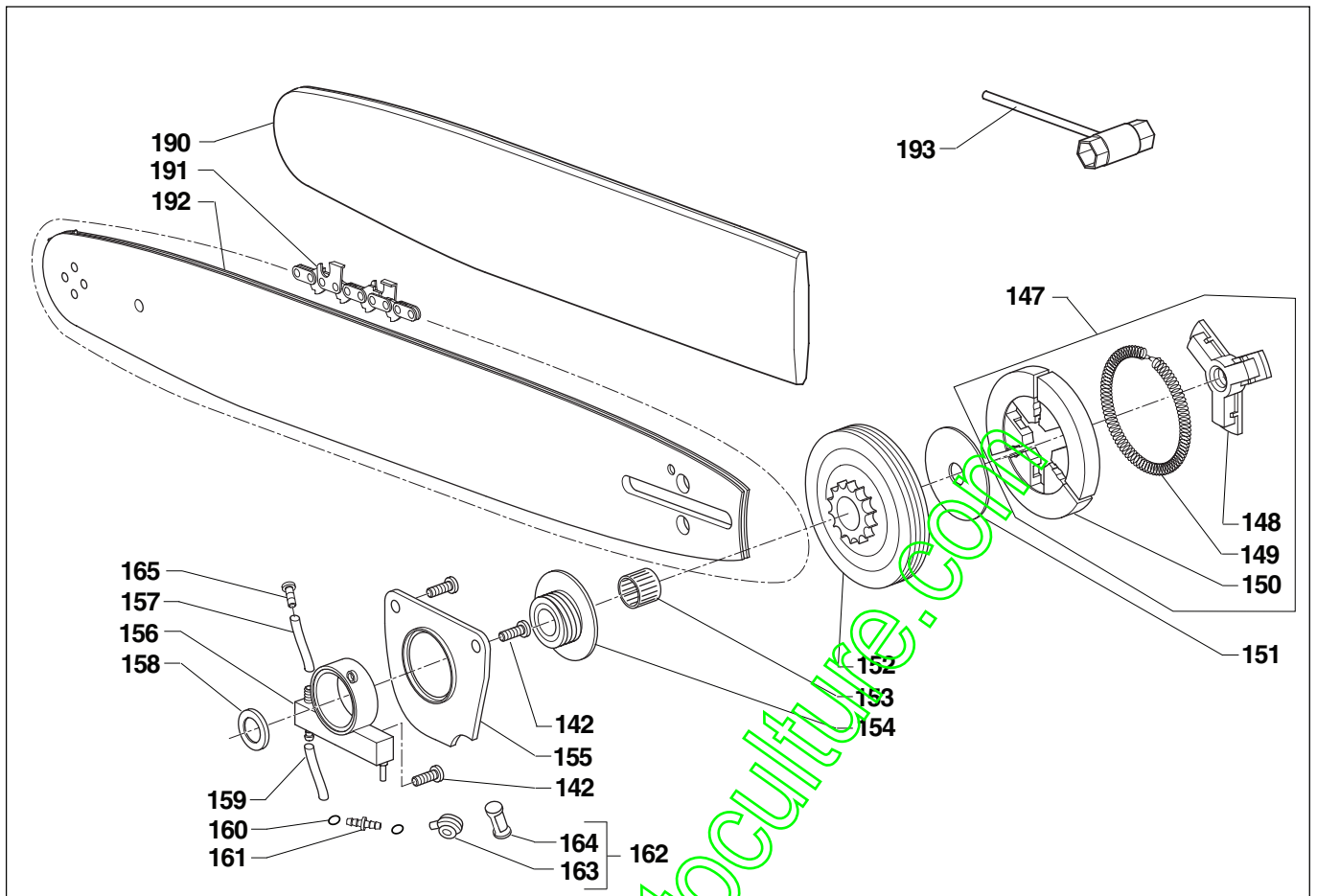
166 SG2056273 1

POS. CODICE Q.TA

POS. CODICE Q.TA

www.emc-motoculture.com

1238 CS Z
Type level 01



POS.	CODICE	Q.TA	POS.	CODICE	Q.TA	POS.	CODICE	Q.TA
147	SG2047176	1						
148	SG2047177	1						
149	SG2047178	1						
150	SG2047179	1						
151	SG2047180	1						
152	SG2047181	1						
153	SG2047182	1						
154	SG2047183	1						
155	SG2047184	1						
156	SG2047185	1						
157	SG2047186	1						
158	SG2047187	1						
159	SG2047188	1						
160	SG2082290	1						
161	SG2056255	1						
162	SG2081730	1						
163	SG2081760	1						
164	SG2047190	1						
165	SG2083722	1						
190	SG2043930	1						
191	SG2079312	1						
192	SG2079311	1						
193	SG6036530	1						

1238 CS Z
Type level 01

www.emc-motoculture.com