



# PIÈCES DÉTACHÉES

Tondeuses à conducteur marchant



**SUCCESS 50**  
(CAL534TR)

**SUCCESS 52**  
(CAL534TR)

**SUCCESS 57**  
(CAL534TR/E)

**(2008)**



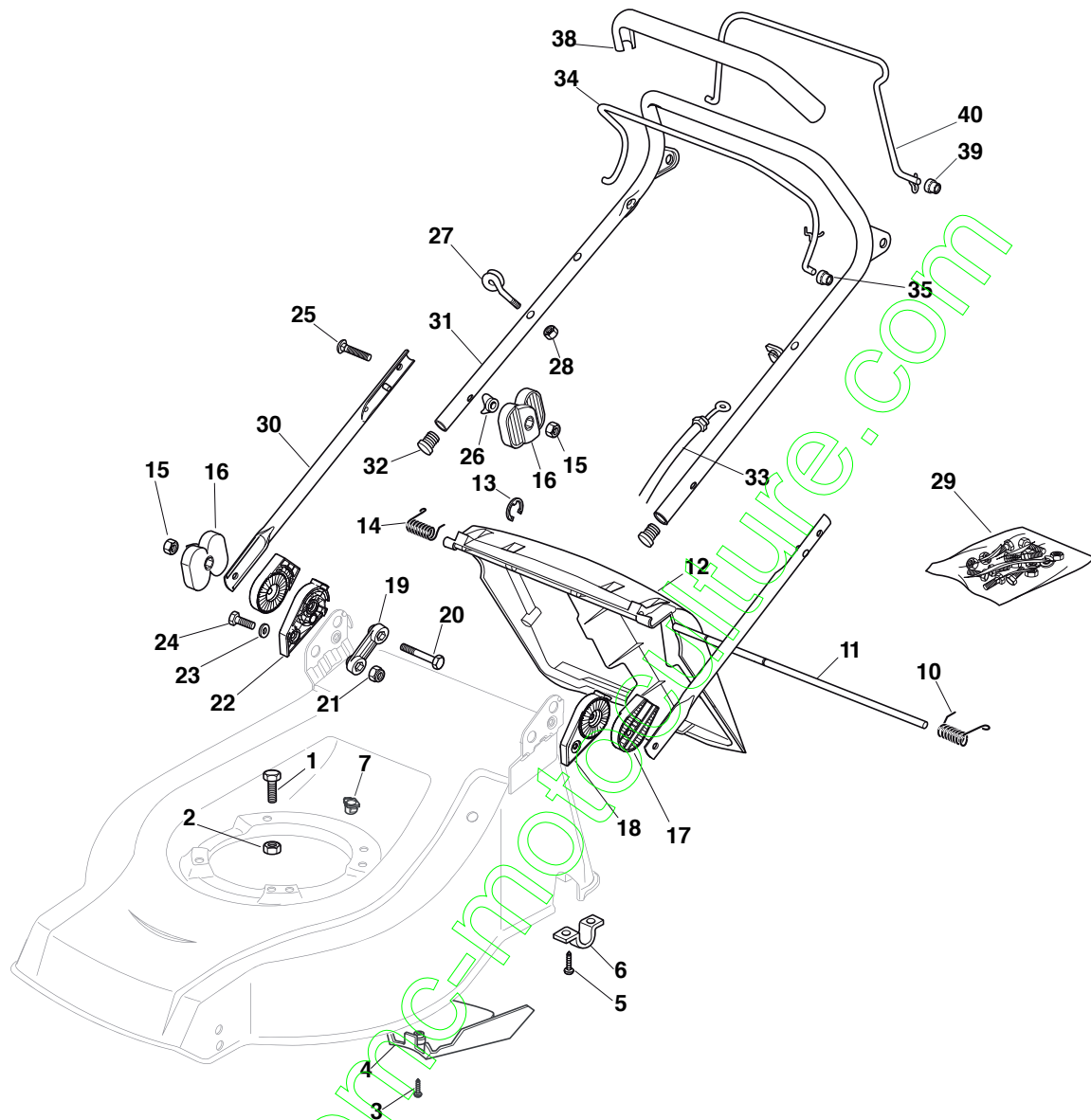
Yvan Béal - 21, av. de l'Agriculture - B.P. 16  
Z.I. du Brézet - 63014 Clermont-Ferrand Cedex 2  
Tél : 04 73 91 93 51 - Télécopie : 04 73 90 23 11  
www.yvanbeal.fr - E-mail : info@yvanbeal.fr  
R.C.S. Clermont-Fd B 304 973 886 S.A.S. au capital de 612 000 €

**03-000944-081117**





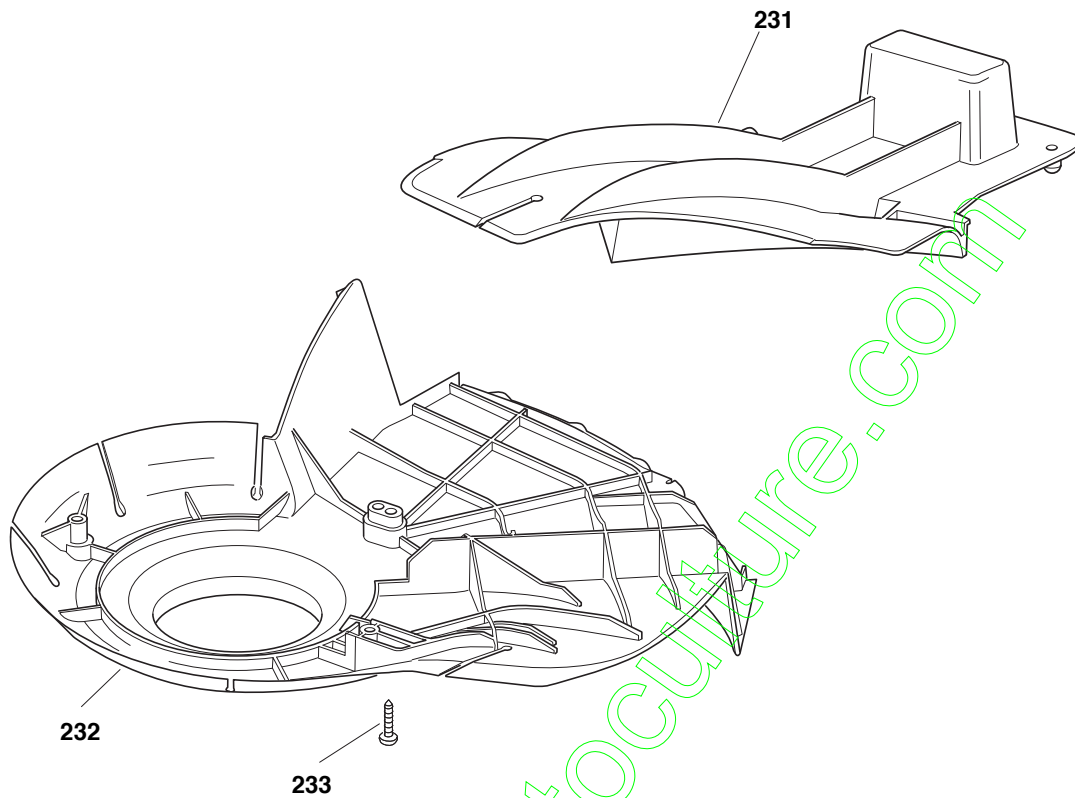
CA		CAL					2008
434	484	534		621.0			
TR	TR/E	WTR	WTR/E	TR 4S	TR/E4S		1 / 3



POS.	CODE	Q.TY	DESCRIZIONE	DESCRIPTION	DESCRIPTION	BESCHREIBUNG	REMARKS
1	12691800/0	0/1	VITE	SCREW	VIS	SCHRAUBE	
-	12793701/0	3/2	VITE	SCREW	VIS	SCHRAUBE	
2	12155000/0	0/1	DADO	NUT	ECROU	MUTTER	
-	12293201/0	3/2	DADO	NUT	ECROU	MUTTER	
3	12728530/0	1	VITE	SCREW	VIS	SCHRAUBE	484 - 534
4	22060196/0	1	CARTER CINGHIA	PROTECTION, BELT	PROTECTION	SCHUTZ, RIEMEN	534
5	12731350/0	4	VITE	SCREW	VIS	SCHRAUBE	
6	22545152/0	2	PIASTRINA	PLATE	PLAQUETTE	PLATTE	
7	22291150/0	1	INSERTO IN GOMMA	RUBBER INSERT	INSERT DE	GUMMI EINSATZ	484 - 534
10	22450420/1	1	MOLLA SX	L SPRING	RESSORT G	LINKE FEDER	
11	22517906/1	1	PERNO	PIN	PIVOT	BOLZEN	

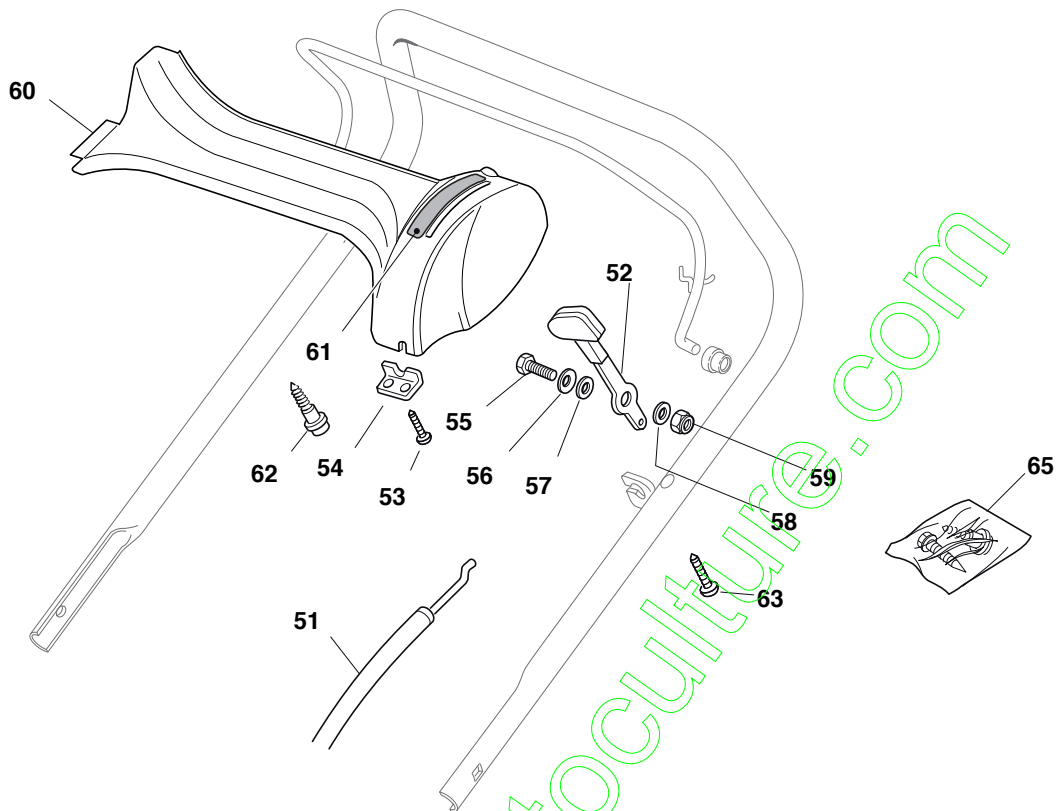
POS.	CODE	Q.TY	DESCRIZIONE	DESCRIPTION	DESCRIPTION	BESCHREIBUNG	REMARKS
12	81008070/0	1	PARASASSI	STONE-GUARD	PARE-PIERRES	PRALLBLECH	
13	12000930/0	1	ANELLO ELASTICO	SNAP RING	ANNEAU RESSORT	SPRENGRING	
14	22450410/1	1	MOLLA DX	R SPRING	RESSORT D	RECHTE FEDER	
15	12293202/0	4	DADO	NUT	ECROU	MUTTER	
16	22399803/0	4	MANOPOLINA	KNOB	POIGNÉE	GRIFF	
17	22785081/1	2	SUPPORTO ESTERNO	SUPPORT, EXTERNAL	SUPPORT EXTERNE	HALTER, AUßERE	
18	22785083/1	1	SUPPORTO INTERNO	SUPPORT, L INTERNAL	SUPPORT INTERNE G	HALTER, INNERE L	
19	22551575/0	2	PIASTRINA INTERNA	PLATE, INSIDE	PLAQUETTE INTERNE	PLATTE, INNERE	
20	12691810/0	2	VITE	SCREW	VIS	SCHRAUBE	
21	12155000/0	2	DADO	NUT	ECROU	MUTTER	
22	22785082/0	1	SUPPORTO INTERNO	SUPPORT, R INTERNAL	SUPPORT INTERNE D	HALTER, INNERE R	
23	12521350/0	2	ROSETTA	WASHER	RONDELLE	SCHLEIBE	
24	12793701/0	2	VITE	SCREW	VIS	SCHRAUBE	
25	12819125/0	2	VITE	SCREW	VIS	SCHRAUBE	
26	22680006/1	2	ROSETTA	WASHER	RONDELLE	SCHLEIBE	
27	22430309/0	1	MOLLA GUIDA	GUIDE SPRING	RESSORT DE GUIDE	FEDER FÜHRER	
28	12154330/0	1	DADO	NUT	ECROU	MUTTER	
29	81008633/0	1	DOTAZIONE VITERIA	OUTFIT, SCREWS	DOTATION VISSERIE	SATZ, SCHRAUBEN	
30	81006531/0	2	MANICO, PARTE INF	HANDLE, LOWER PART	MANCHERON, PARTIE INFERIEURE	HOLM, UNTERTEIL	
31	81006981/0	1	MANICO, PARTE SUP	HANDLE, UPPER PART	MANCHERON, PARTIE SUPERIEURE	HOLM, OBERTEIL	
32	18566112/0	2	PUNTALE	CAP	BOUCHON	GUMMISTOPFEN	
33	81000756/0	1	CAVO FRENO MOTORE	CABLE, THREAD ENGINE	CABLE FREIN MOTEUR	KABEL, MOTORBREMSE	534 (B&S 675 series)
34	81003291/3	1	LEVA FRENO MOTORE	LEVER, ENGINE BRAKE	LEVIER FREIN MOTEUR	HEBEL, MOTORBREMSE	
35	22041966/0	2	BUSSOLA	BUSH	DOUILLE	BUCHSE	
38	22291051/0	1	IMPUGNATURA MANICO ROSSO	HANDGRIP RED	POIGNÉE ROUGE	HANDGRIFF ROT	
39	22041965/1	2	BUSSOLA	BUSH	DOUILLE	BUCHSE	
40	81003288/1	1	LEVA TRAZIONE	LEVER, DRIVING	LEVIER TRACTION	HEBEL, ANTRIEB	

<b>CA</b>				<b>CAL</b>		2008
<b>434</b>		<b>484</b>		<b>534</b>		<b>621b.0</b>
TR	TR/E	WTR	WTR/E	TR 4S	TR/E4S	1 / 1



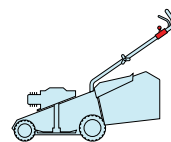
POS.	CODE	Q.TY	DESCRIZIONE	DESCRIPTION	DESCRIPTION	BESCHREIBUNG	REMARKS
231	22140222/0	1	DEFLETTORE	DEFLECTOR	DEFLECTEUR	DEFLEKTOR	534
232	322060197/2	1	CARTER	PROTECTION	PROTECTION	SCHUTZ	534
233	12728530/0	3	VITE	SCREW	VIS	SCHRAUBE	

<b>CA</b>		<b>CAL</b>					2008
<b>434</b>	<b>484</b>			<b>534</b>	<b>622.0</b>		
TR	TR/E	WTR	WTR/E	TR 4S	TR/E4S		1 / 1

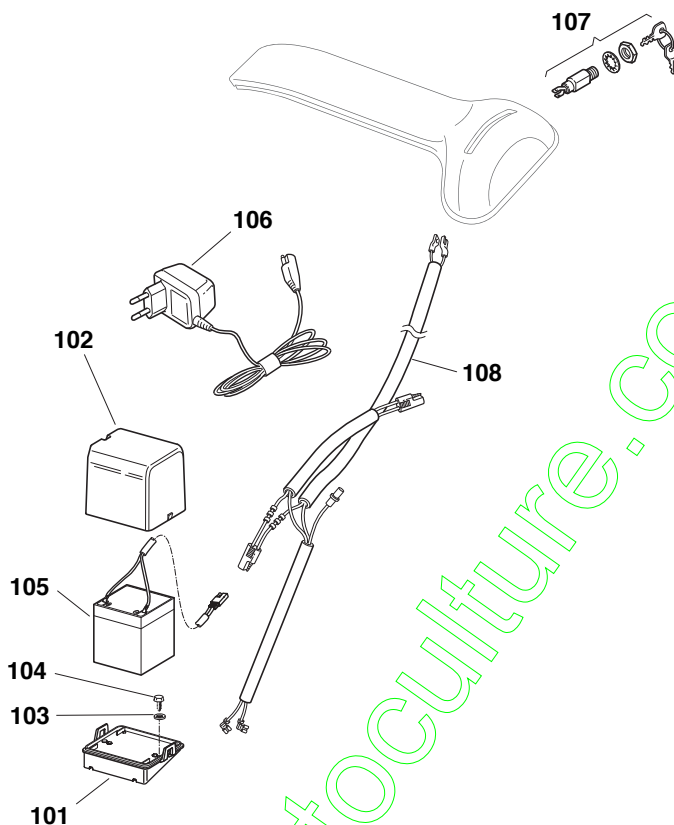


POS.	CODE	Q.TY	DESCRIZIONE	DESCRIPTION	DESCRIPTION	BESCHREIBUNG	REMARKS
51	81007160/0	1	CAVO ACCELERATORE	THROTTLE CABLE	CABLE, ACCELERATEUR	GASHEBEL KABEL	
52	81007280/2	1	LEVA, ACCELERATORE	LEVER, THROTTLE	LEVIER,	HEBEL, BESHLEUNIGER	(B&S 625/650/675 series - HONDA - GGP 160/200 cc)
53	12735105/0	2	VITE	SCREW	VIS	SCHRAUBE	
54	22981467/0	1	PIASTRINA	PLATE	PLAQUETTE	PLATTE	
55	12791500/0	1	VITE	SCREW	VIS	SCHRAUBE	
56	12530060/0	1	ROSETTA ELASTICA	ELASTIC WASHER	RONDELLE ELASTIQUE	ELASTISCHE SCHEIBE	
57	12523040/0	1	ROSETTA	WASHER	RONDELLE	SCHEIBE	
58	12523040/0	1	ROSETTA	WASHER	RONDELLE	SCHEIBE	
59	12154510/0	1	DADO	NUT	ECROU	MUTTER	
60	22120173/0	1	CRUSCOTTO ROSSO	DASH BOARD RED	CONSOLE ROUGE	KONSOLE ROTE	
61	114356744/1	1	ETICHETTA	LABEL	ETIQUETTE	ETIKETTE	(B&S)
62	22943006/0	1	VITE	SCREW	VIS	SCHRAUBE	
63	12728460/0	1	VITE	SCREW	VIS	SCHRAUBE	
65	81008609/0	1	DOTAZIONE VITERIA CRUSCOTTO	OUTFIT, DASH-BOARD SCREWS	DOTATION VISSERIE CONSOLLE	SATZ, KONSOLE SCHRAUBEN	

CA		CAL			
434		484		534	
TR	TR/E	W TR	W TR/E	TR 4S	TR/E4S



2008
<b>622a.0</b>
1 / 1

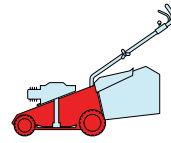


POS.	CODE	Q.TY	DESCRIZIONE	DESCRIPTION	DESCRIPTION	BESCHREIBUNG	REMARKS
101	22785123/0	1	SUPPORTO BATTERIA	SUPPORT, BATTERY	SUPPORT BATTERIE	HALTER, BATTERIE	
102	22109530/0	1	COPERCHIO	COVER	COUVERCLE	DECKEL	
103	12521310/0	2	ROSETTA	WASHER	RONDELLE	SCHEIBE	
104	12731590/0	2	VITE	SCREW	VIS	SCHRAUBE	
105	18120052/0	1	BATTERIA	BATTERY	BATTERIE	BATTERIE	
106	18204120/0	1	CARICA BATTERIA	BATTERY CHARGER	CHARGEUR DE	LADGERÄT	
107	18450050/0	1	INTERRUTTORE	SWITCH	INTERRUPTEUR	SCHALTER	
108	118204192/3	1	CAVO AVVIAMENTO	CABLE, START	CABLE DÉMARRAGE	KABEL, START	(B&S - GGP ENGINE)

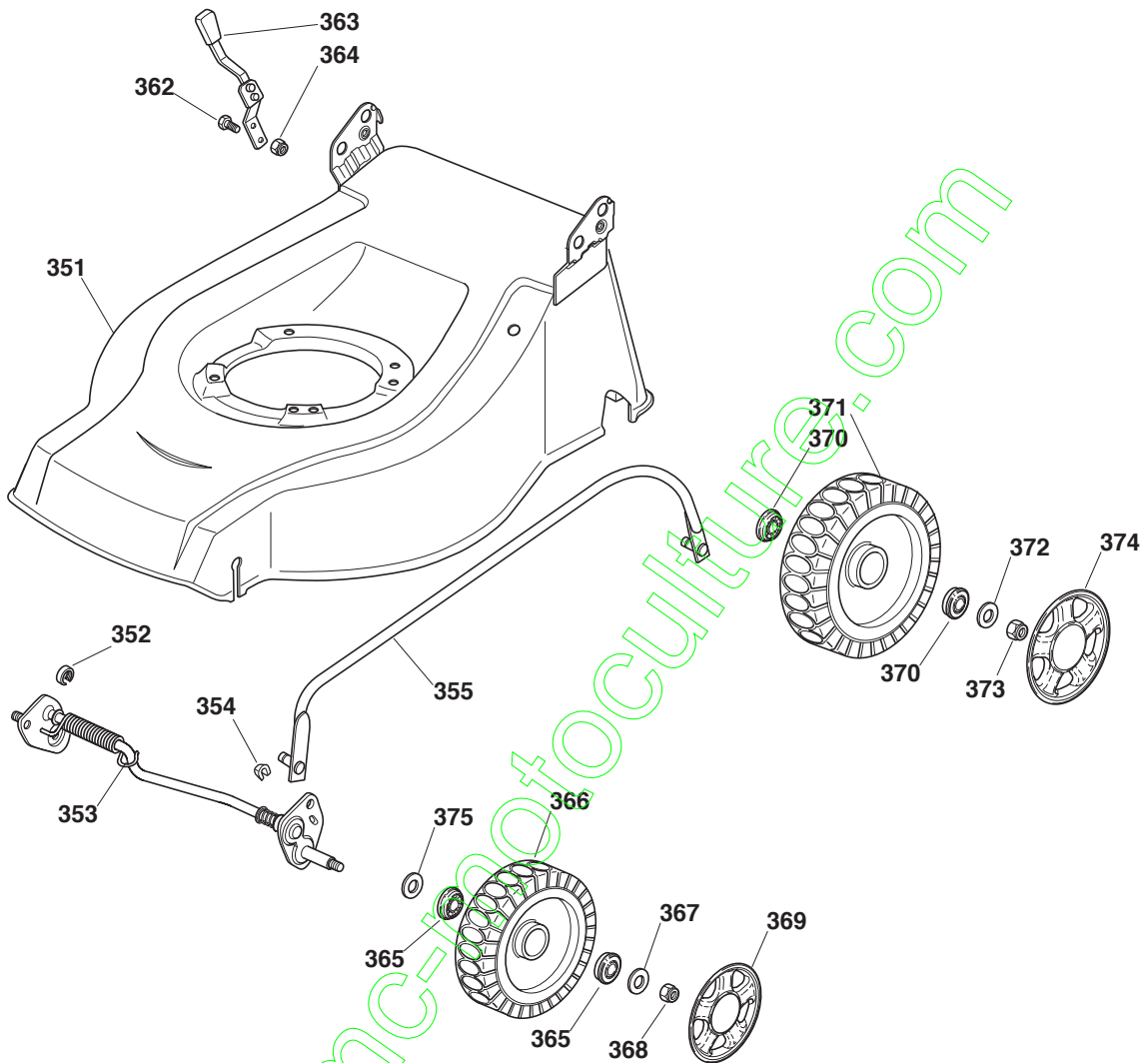




CA		CAL			
434		484		534	
TR	TR/E	WTR	WTR/E	TR 4S	TR/E4S



2008
623b.0
1 / 2

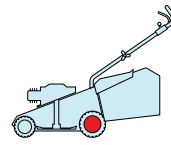


POS.	CODE	Q.TY	DESCRIZIONE	DESCRIPTION	DESCRIPTION	BESCHREIBUNG	REMARKS
351	81003651/0	1	CHASSIS BIANCO	DECK WHITE	CHÂSSIS BLANC	GEHÄUSE WEISS	534
352	22171002/0	1	DISTANZIALE	SPACER	ENTRETOISE	DISTANZRING	
353	81000143/1	1	ASSE RUOTE ANTERIORI	AXLE, FRONT WHEELS	AXE ROUES AVANT	ACHSE, VORDERRAD	534
354	12436050/0	2	PIASTRINA	PLATE	PLAQUETTE	PLÄTTCHEN	
355	81006483/1	1	ASTA COMANDO REGOL. ALTEZZA	ROD, HEIGHT ADJUSTMENT	TIGE COMMANDE REGLAGE HAUTEUR	STANGE, HÖHEVERSTELLUNG	534
362	12789000/0	2	VITE	SCREW	VIS	SCHRAUBE	

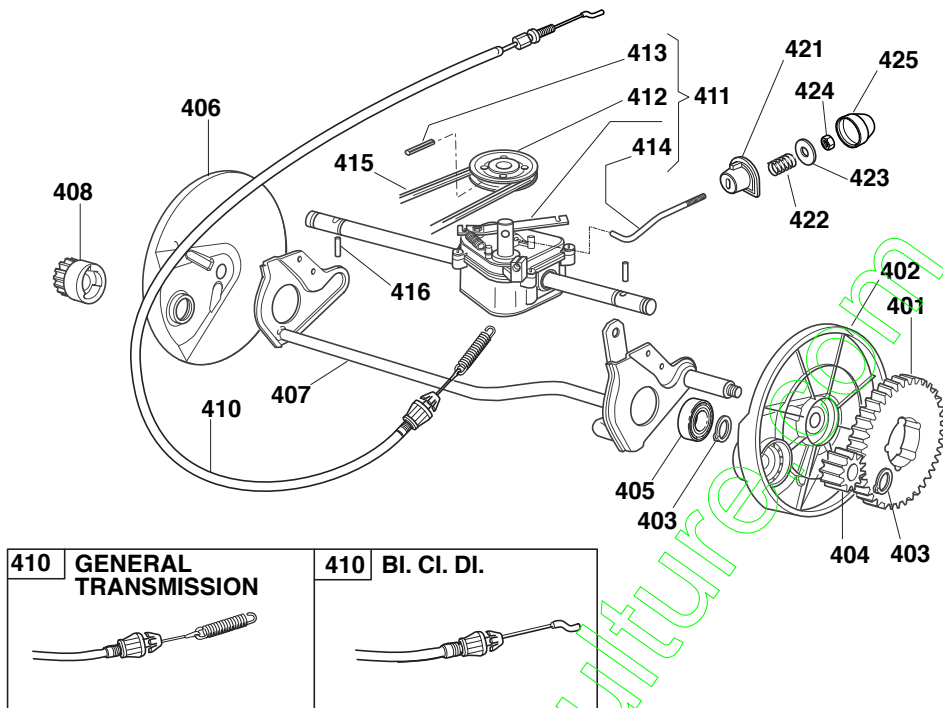
POS.	CODE	Q.Q.TY	DESCRIZIONE	DESCRIPTION	DESCRIPTION	BESCHREIBUNG	REMARKS
363	81003283/1	1	LEVA REGOLAZIONE ALTEZZA	LEVER, HEIGHT ADJUSTMENT	LEVIER, REGLAGE HAUTEUR	HEBEL, HÖHEVERSTELLUNG	
364	12154320/0	2	DADO	NUT	ECROU	MUTTER	
365	22122200/0	4	CUSCINETTO	BEARING	COUSSINET	LAGER	
366	81007336/0	2	RUOTA SCOLPITA Ø 170	WHEEL, KNOBBLY Ø 170	ROUE SCULPTEE Ø 170	RAD M. STOLLENPR. Ø 170	
367	12521350/0	2	ROSETTA	WASHER	RONDELLE	SCHEIBE	
368	12155000/0	2	DADO	NUT	ECROU	MUTTER	
369	22110567/0	2	COPRIMOZZO	HUB CAP	COUVRE-MOYEU	RADKAPPE	
370	22122200/0	4	CUSCINETTO	BEARING	COUSSINET	LAGER	
371	81007337/0	2	RUOTA SCOLPITA Ø 210	WHEEL, KNOBBLY Ø 210	ROUE SCULPTEE Ø 210	RAD M. STOLLENPR. Ø 210	
372	12521350/0	2	ROSETTA	WASHER	RONDELLE	SCHEIBE	
373	12155000/0	2	DADO	NUT	ECROU	MUTTER	
374	22110568/0	2	COPRIMOZZO	HUB CAP	COUVRE-MOYEU	RADKAPPE	
375	12530150/0	2	ROSETTA ELASTICA	ELASTIC WASHER	RONDELLE ELASTIQUE	ELASTISCHE SCHEIBE	

www.emc-motoculture.com

CA		CAL			
434		484		534	
TR	TR/E	WTR	WTR/E	TR 4S	TR/E4S

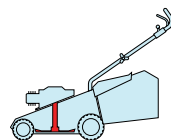


2008
624.0
1 / 1

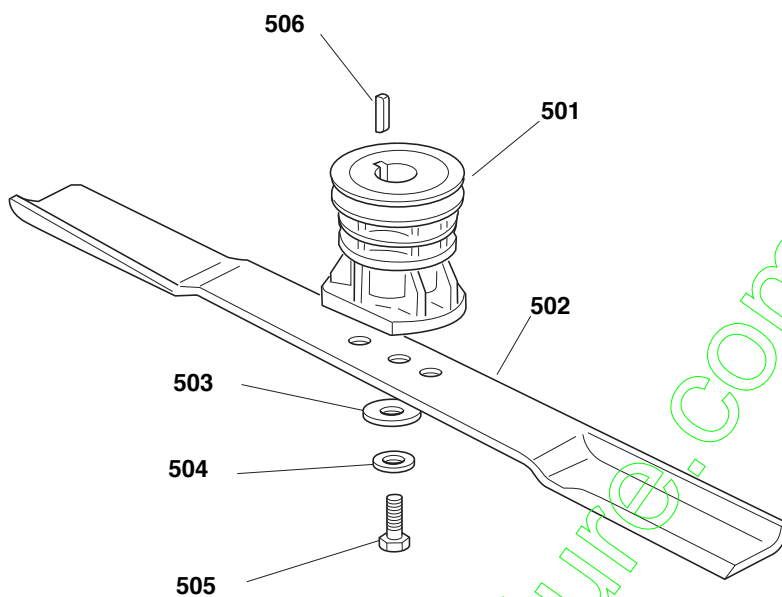


POS.	CODE	Q.TY	DESCRIZIONE	DESCRIPTION	DESCRIPTION	BESCHREIBUNG	REMARKS
401	22120105/1	2	CORONA	RING GEAR	COURONNE	KRANZ	
402	22600093/0	1	PROT. RUOTE SX	PROTECTION, L WHEEL	PROTECTION ROUE G	SCHÜTZ, LINKES	
403	12608600/0	4	SEEGER	SEEGER	SEEGER	SEEGER	
404	22570120/1	1	PIGNONE SX	PINION L	PIGNON G	RITZEL LINKES	
405	19216035/0	2	CUSCINETTO	BEARING	COUSSINET	LAGER	
406	22600092/0	1	PROT. RUOTE DX	PROTECTION, R WHEEL	PROTECTION ROUE D	SCHÜTZ, RECHTES	
407	81000147/0	1	ASSE RUOTE POSTERIORI	AXLE, REAR WHEELS	AXE ROUES ARRIERE	ACHSE, HINTERRAD	
408	22570110/1	1	PIGNONE DX	PINION R	PIGNON D	RITZEL RECHTES	
410	81000672/0	1	CAVO COMANDO TRAZIONE	CABLE, REAR DRIVE	CÂBLE, COMMANDE TRACTION	KABEL, ANTRIEB	(BI. CI. DI.)
-	81000668/1	1	CAVO COMANDO TRAZIONE	CABLE, REAR DRIVE	CÂBLE, COMMANDE TRACTION	KABEL, ANTRIEB	(GENERAL TRANSMISSION)
411	81003081/1	1	GRUPPO TRAZIONE (GRIGIO)	GEAR BOX (GREY)	GROUPE TRACTION	ANTRIEB (GRAU)	(BI. CI. DI.)
-	81003076/0	1	GRUPPO TRAZIONE	GEAR BOX	GROUPE TRACTION	ANTRIEB	(GENERAL TRANSMISSION)
412	22601904/0	1	PULEGGIA	PULLEY	POULIE	RIEMENSCHLEIBE	
413	12645705/0	1	SPINA	PIN	GOUPILLE	STIFT	
414	22033280/0	1	ASTA REGOLAZIONE	ADJUSTMENT ROD	TIGE REGLAGE	VERSTELLUNGSTANGE	(BI. CI. DI.)
-	22033283/0	1	ASTA REGOLAZIONE	ADJUSTMENT ROD	TIGE REGLAGE	VERSTELLUNGSTANGE	(GENERAL TRANSMISSION)
415	35063902/0	1	GINGHIA Z 29.5	BELT Z 29.5	COURROIE Z 29.5	RIEMEN Z 29.5	534
416	22753000/0	2	SPINA	PIN	GOUPILLE	STIFT	
421	22041957/1	1	BUSSOLA	BUSH	DOUILLE	BUCHSE	
422	22450063/0	1	MOLLA	SPRING	RESSORT	FEDER	
423	22680009/0	1	ROSETTA	WASHER	RONDELLE	SCHEIBE	
424	12154510/0	1	DADO	NUT	ECROU	MUTTER	
425	22110230/0	1	TAPPO	CAP	BOUCHON	GUMMISTOPFEN	

CA		CAL			
434		484		534	
TR	TR/E	WTR	WTR/E	TR 4S	TR/E4S



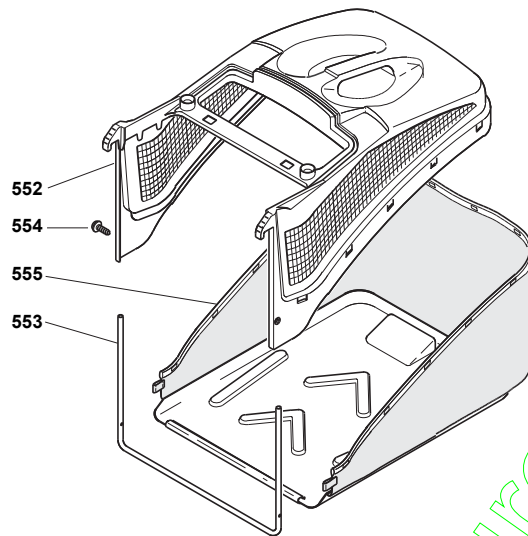
2008
625.0
1 / 1



POS.	CODE	Q.TY	DESCRIZIONE	DESCRIPTION	DESCRIPTION	BESCHREIBUNG	REMARKS
501	22465607/2	1	MOZZO CON PULEGGIA, ALBERO MOTORE Ø 22.2	HUB WITH PULLEY, CRANKSHAFT Ø 22.2	MOYEU AVEC POULIE, ARBRE MOTEUR Ø 22.2	NABE MIT SCHEIBE, MOTORWELLE Ø 22.2	
502	81004381/1	1	COLTELLO STANDARD	BLADE STANDARD	LAME STANDARD	MESSER STANDARD	534
-	81004398/0	1	COLTELLO ALETTATO	BLADE WINGED	LAME AILETTÉE	MESSER FLÜGEL	534
503	22160400/0	1	DISCO ELASTICO	ELASTIC WASHER	RONDELLE ELASTIQUE	ELASTISCHE SCHEIBE	
504	12523080/0	1	ROSETTA	WASHER	RONDELLE	SCHEIBE	
505	12735698/0	1	VITE	SCREW	VIS	SCHRAUBE	
506	12139100/0	1	LINGUETTA, ALBERO MOTORE Ø 22.2	FEATHER, CRANKSHAFT Ø 22.2	CLAVETTE, ARBRE MOTEUR Ø 22.2	KEIL, MOTORWELLE Ø 22.2	

www.emc-motoculture.com

<b>CA</b>		<b>CAL</b>					2008
<b>434</b>	<b>484</b>	<b>534</b>		<b>626.0</b>			
TR	TR/E	WTR	WTR/E	TR 4S	TR/E4S		1 / 1



POS.	CODE	Q.TY	DESCRIZIONE	DESCRIPTION	DESCRIPTION	BESCHREIBUNG	REMARKS
552	22486227/0	1	SACCO, PARTE SUP	GRASS-BOX, UPPER	SAC, PARTIE	KORB, OBERTEIL	
553	22608523/0	1	RINFORZO INF	STIFFENING LOWER	RÉNFORCEMENT INF	VERSTÄRKUNG	
554	12728445/0	2	VITE	SCREW	VIS	SCHRAUBE	
555	81002283/0	1	SACCO, TELA	BOX, FABRIC	SAC, TOILE	SACK, TUCK	



# 12H800

## Illustrated Parts List Model Series 12H800

TYPE NUMBERS  
0652 through 6699.

### TABLE OF CONTENTS

Alternator .....	7
Air Cleaner .....	4
Blower Housing/Shrouds .....	6
Camshaft .....	2
Carburetor .....	3
Controls .....	5
Crankshaft .....	2
Cylinder .....	2
Electric Starter .....	7
Electrical .....	7
Engine Sump .....	2
Exhaust System .....	4
Flywheel .....	7
Flywheel Brake .....	7
Fuel Supply .....	5
Governor Spring .....	5
Ignition .....	7
Kits/Gaskets .....	2 & 3
Lubrication .....	2
Piston Group .....	2
Rewind Starter .....	7
Valves .....	2

www.emotoculture.com

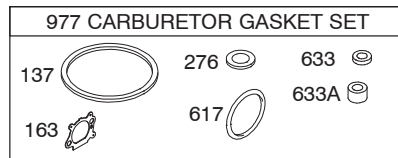
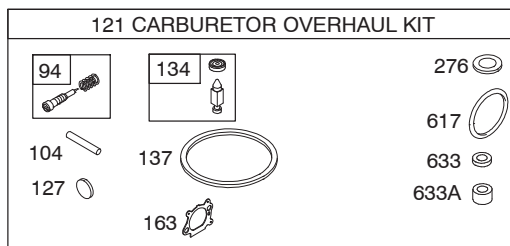
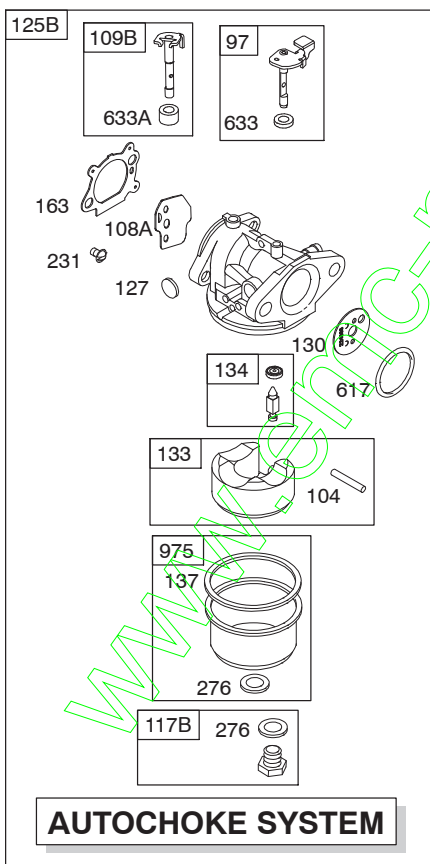
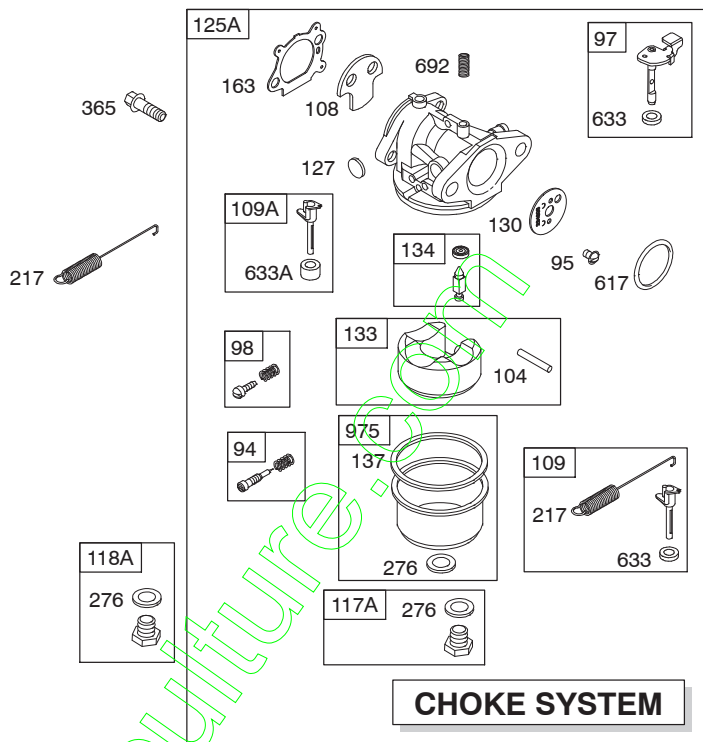
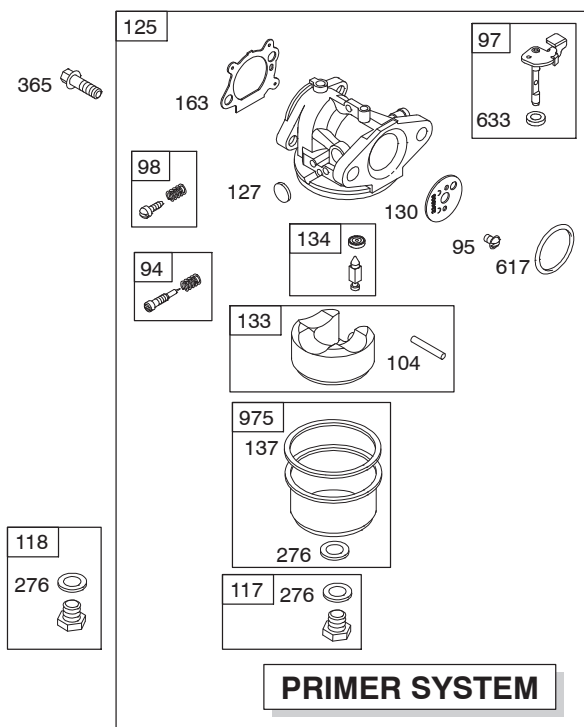


PRINTED IN U.S.A.

COPYRIGHT by BRIGGS & STRATTON CORPORATION  
All rights reserved. No part of this material may be reproduced or transmitted,  
in any form or by any means, electronic or mechanical, including photocopying,  
recording or by any information storage and retrieval system, without permission  
in writing from Briggs & Stratton Corporation.

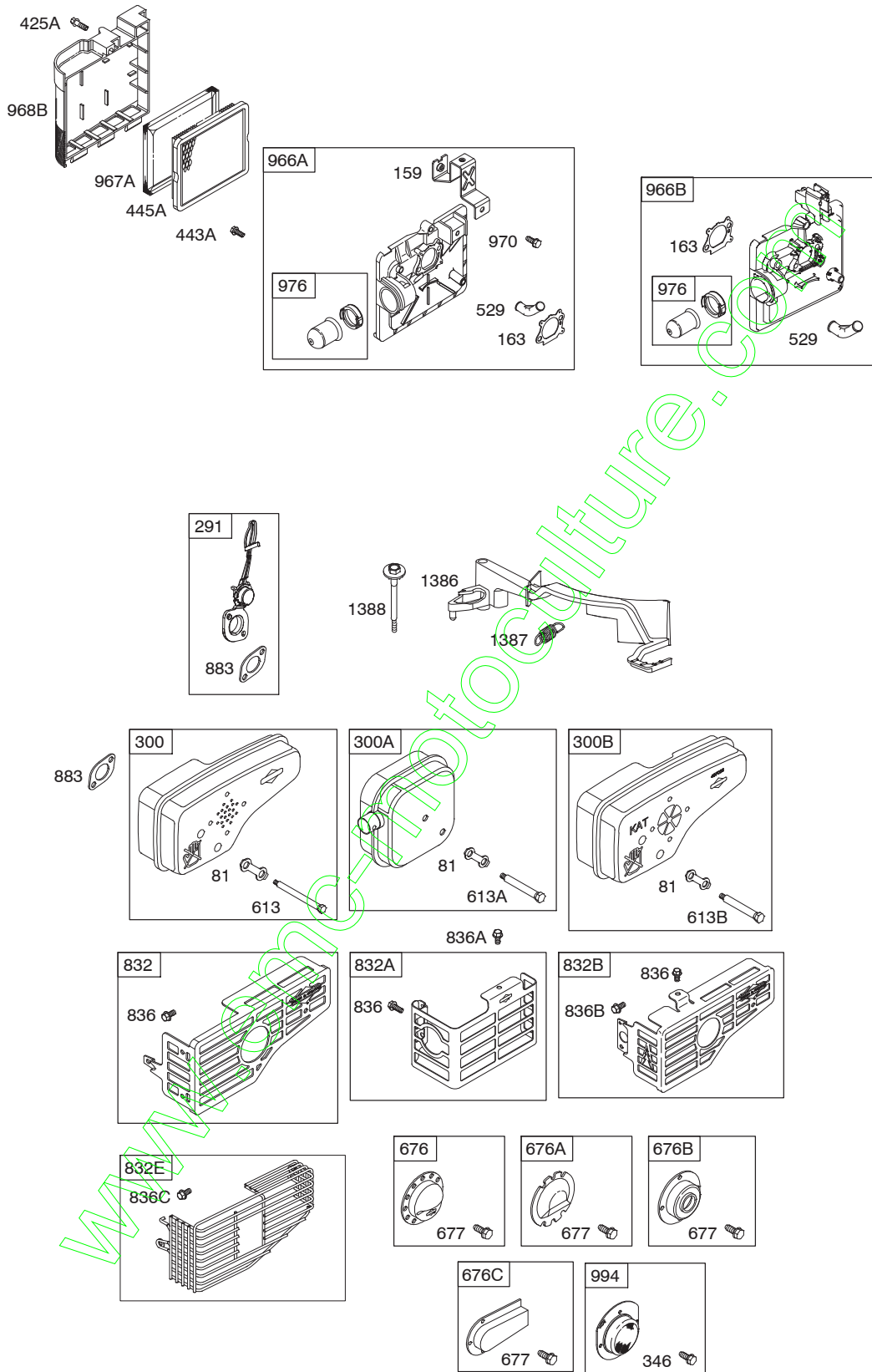




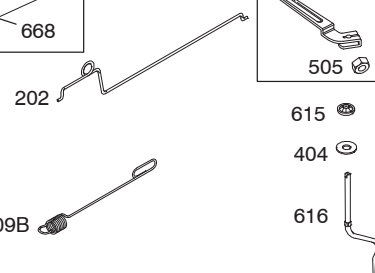
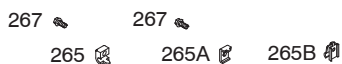
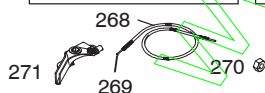
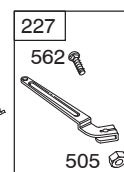
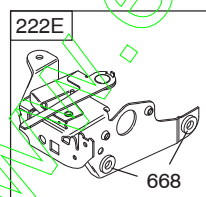
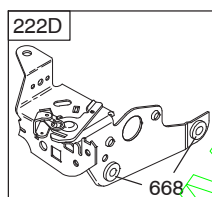
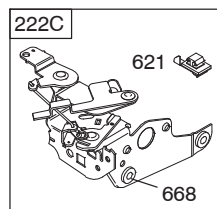
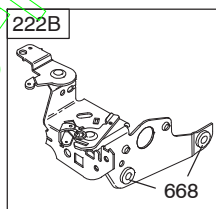
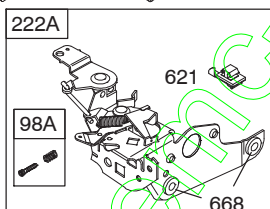
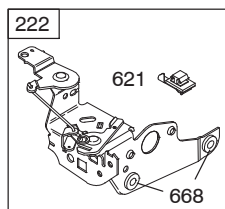
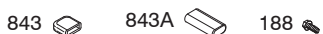
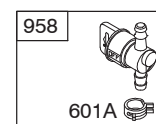
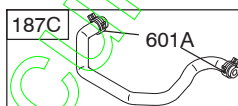
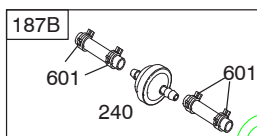
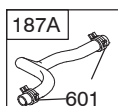
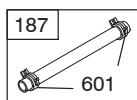
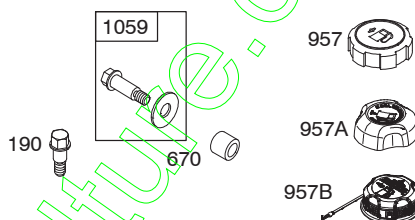
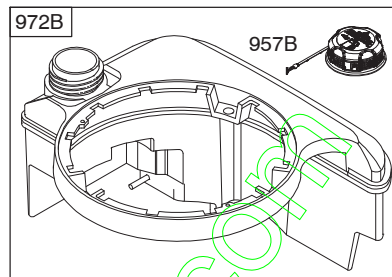
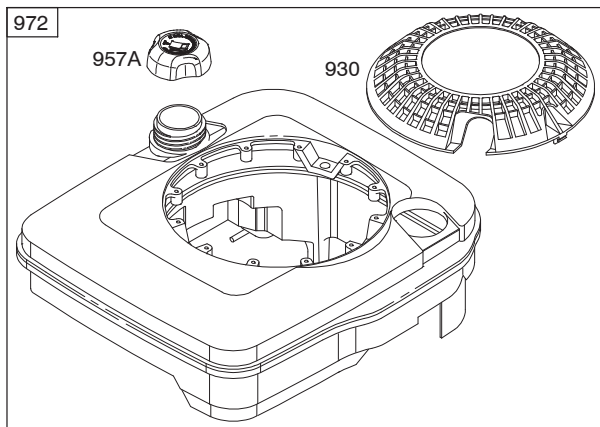


Illustrations cover a range of engines. Parts shown without corresponding text may not be used on your specific engine.

# 12H800

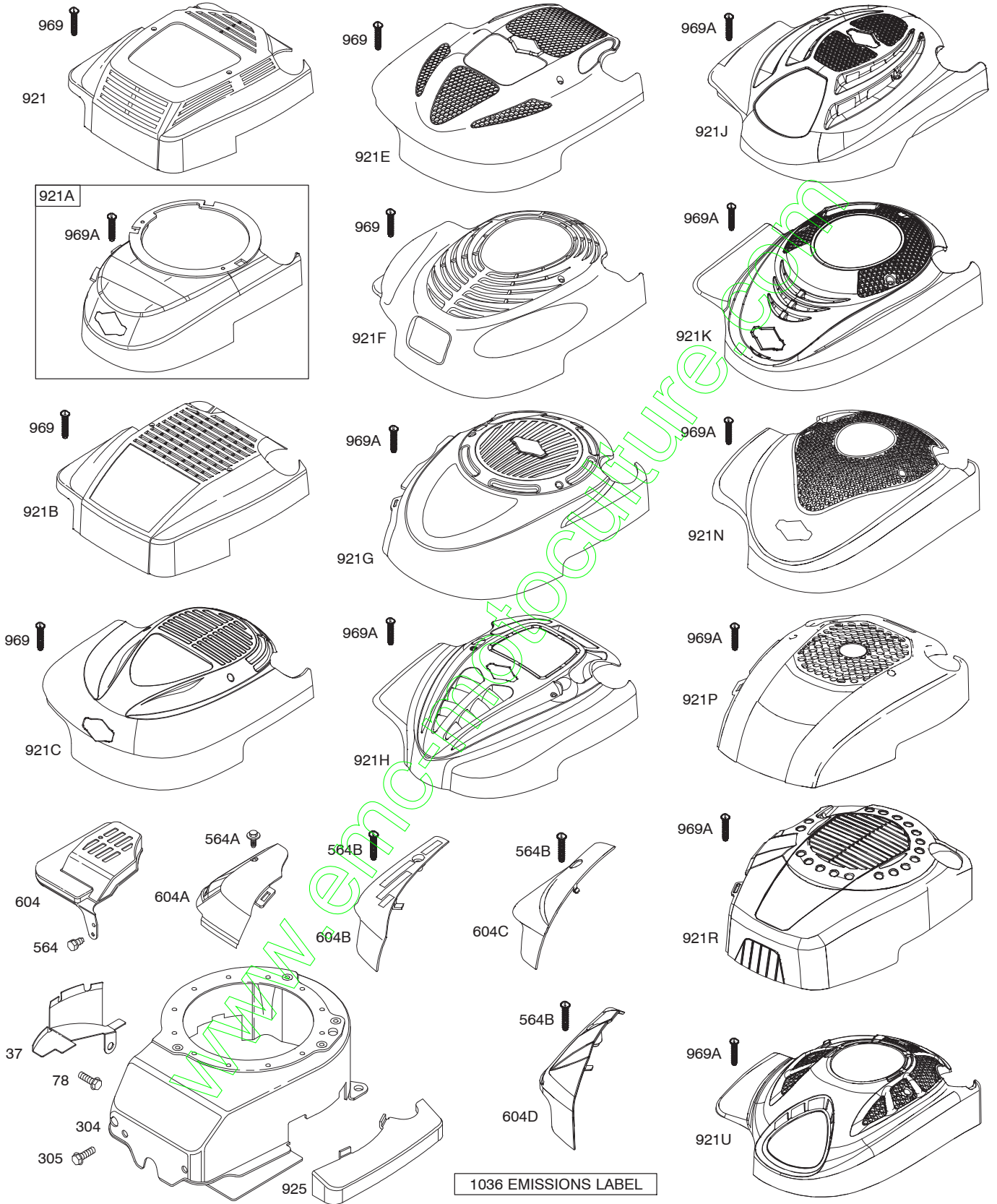


Illustrations cover a range of engines. Parts shown without corresponding text may not be used on your specific engine.  
 0990-4 Assemblies include all parts shown in frames. 07/01/2008



Illustrations cover a range of engines. Parts shown without corresponding text may not be used on your specific engine.

# 12H800

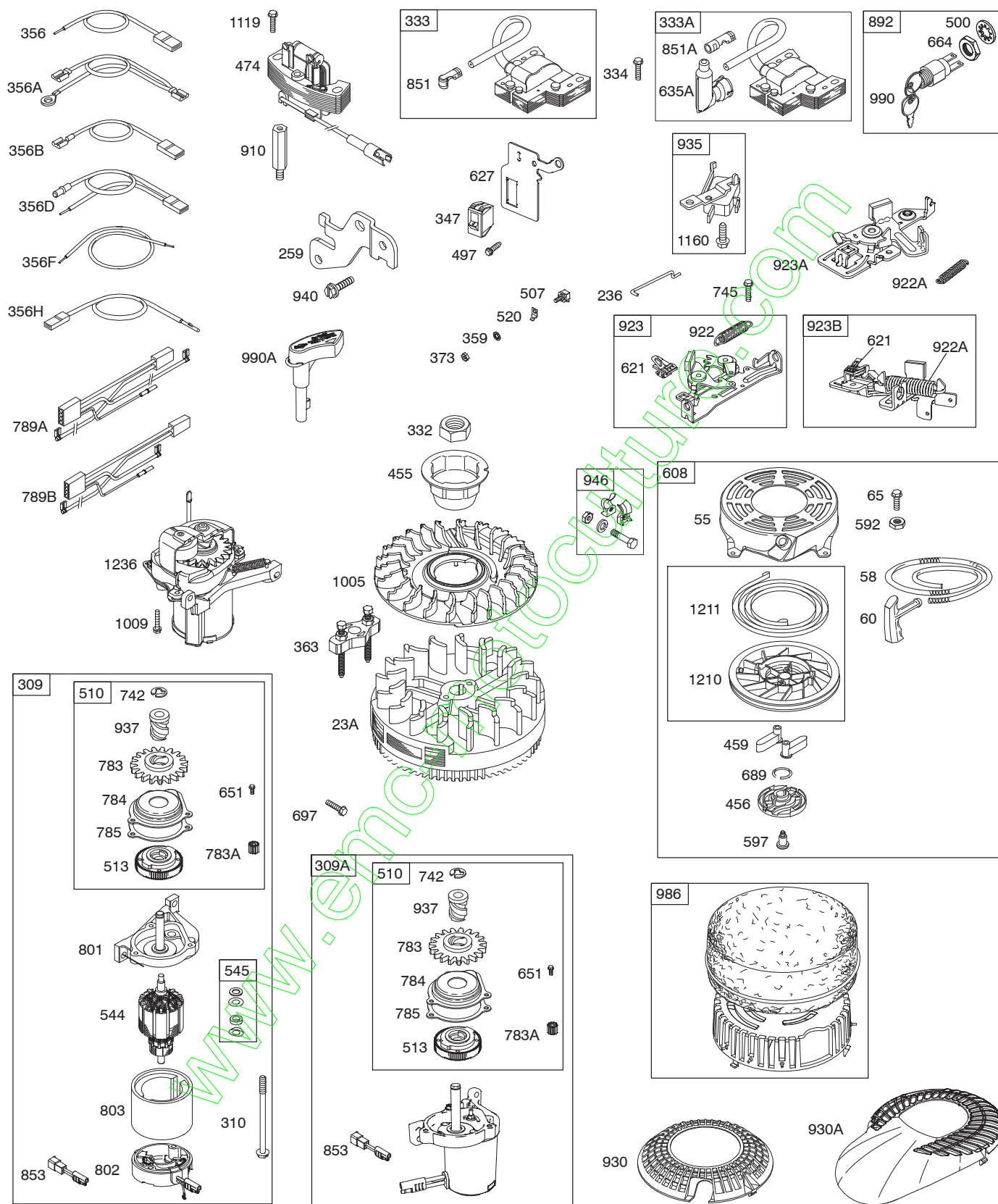


**Illustrations cover a range of engines. Parts shown without corresponding text may not be used on your specific engine.**

0990-6

Assemblies include all parts shown in frames.

07/01/2008



Illustrations cover a range of engines. Parts shown without corresponding text may not be used on your specific engine.

# 12H800

REF. NO.	PART NO.	DESCRIPTION	REF. NO.	PART NO.	DESCRIPTION	REF. NO.	PART NO.	DESCRIPTION
1	697322	Cylinder Assembly	5	691160	Head-Cylinder	12	★692232	Gasket-Crankcase
2	399269	Kit-Bushing/Seal (Magneto Side)	7	★∅692249	Gasket-Cylinder Head	13	690912	Screw (Cylinder Head)
3	★299819S	Seal-Oil (Magneto Side)	8	495786	Breather Assembly	15	691680	Plug-Oil Drain (Square Socket)
4	493279	Sump-Engine	9	★∅699833	Gasket-Breather	15A	691093	Plug-Oil Drain (Hex Socket)
		----- <b>Note</b> -----	10	94650	Screw (Breather Assembly)			
		<b>498983</b> Sump-Engine	11	691781	Tube-Breather			
		Used on Type No(s).						
		1167, 1715, 1955,						
		1961, 2320, 2324,						
		2331, 2367, 2673,						
		2681, 3182.						
		<b>696294</b> Sump-Engine						
		Used on Type No(s).						
		1375, 1376, 1379,						
		1717, 1718, 1719,						
		1730, 1731, 1732,						
		1735, 1754, 1781,						
		1792, 1795, 1809,						
		1811, 1959, 1960,						
		1996, 2002, 2042,						
		2043, 2108, 2326,						
		3181, 3187, 3188.						
4A	493365	Sump-Engine (Auxilliary PTO)						

★ Included in Engine Gasket Set-Ref. No.358.

● Included in Carburetor Overhaul Kit-Ref. No. 121.

◆ Included in Carburetor Gasket Set-Ref. No. 977.

∅ Included in Valve Gasket Set-Ref. No 1095.

*Illustrations cover a range of engines. Parts shown without corresponding text may not be used on your specific engine.*

0990-8

Assemblies include all parts shown in frames.

07/01/2008

REF. NO.	PART NO.	DESCRIPTION	REF. NO.	PART NO.	DESCRIPTION	REF. NO.	PART NO.	DESCRIPTION
16	691451	<p>Crankshaft (Used After Code Date 97011200).</p> <p>----- <b>Note</b> -----</p> <p><b>694442</b> Crankshaft (Used Before Code Date 97011300).</p> <p><b>691450</b> Crankshaft (Used After Code Date 97011200). Used on Type No(s). 0823,1520,1530,1531,1532,1533,1567,1705,1718,1746,1747,1751,1769,1782,1850,1851,1905,1906,1907,1910,1911,1912,1913,1915,1916,1918,1923,1939,1940,1950,1951,1952,1972,1975,1979,1980,1987,2018,2019,2024,2029,2150,2313,2375,2376,2379,2380,2609,2610,2611,2612,2630,2631,2649,2667,2677,2678,2679,2686,3120,3123,3138,3140,3167,3176,3184,3187,3188.</p> <p><b>694440</b> Crankshaft (Used Before Code Date 97011300). Used on Type No(s). 0823,1520,1530,1531,1532,1533,1567,2630,2631.</p> <p><b>692980</b> Crankshaft (Used After Code Date 97011200). Used on Type No(s). 0658,0660,1570,1758,1760,1763,2670.</p> <p><b>694443</b> Crankshaft (Used Before Code Date 97011300). Used on Type No(s). 0658,0660,1758.</p>			<p><b>691452</b> Crankshaft (Used After Code Date 97011200). Used on Type No(s). 0664,0665,0666,0670,0671,0672,0680,0840,0866,0868,0873,0877,0878,1150,1166,1170,1171,1320,1326,1332,1366,1368,1370,1371,1372,1374,1375,1376,1377,1378,1379,1544,1559,1569,1723,1727,1730,1731,1733,1734,1736,1737,1738,1739,1740,1748,1749,1770,1771,1784,1785,1786,1790,1794,1795,1801,1803,1804,1805,1810,1811,1814,1816,1818,1821,1823,1825,1826,1827,1829,1830,1831,1832,1835,1837,1839,1844,1845,1846,1847,1849,1852,1914,1917,1919,1920,1926,1932,1935,1936,1941,1942,1943,1947,1948,1958,1959,1962,1964,1965,1966,1967,1970,1973,1976,1977,1983,1985,1988,1991,1992,1993,1994,1995,1996,2001,2002,2006,2008,2009,2010,2012,2014,2015,2017,2023,2027,2028,2035,2042,2043,2108,2148,2149,2350,2644,2669,2676,3130,3132,3137,3166,3169,3170,3181,3185,3186,3189,3313,3314,3315,3320,3322,3323,3325.</p> <p><b>694059</b> Crankshaft (Used Before Code Date 97011300). Used on Type No(s). 0866,0868,0873,0877,1166,1170,1332,1366,1368,1370,1371,1544,1559,1569,1977.</p>			<p><b>691455</b> Crankshaft (Used After Code Date 97011200). Used on Type No(s). 1149,1548,1701,1925,2312,2313,2314,2315,2316,2324,2328,2352,2360,2370,2373,2381,2383,2384,2394,2395,2396,3172,3173,3180,3318,3319.</p> <p><b>691375</b> Crankshaft (Used Before Code Date 97011300). Used on Type No(s). 1149,1548.</p> <p><b>692822</b> Crankshaft Used on Type No(s). 1766.</p> <p><b>691482</b> Crankshaft Used on Type No(s). 1961,2329,2334, 3183.</p> <p><b>694079</b> Crankshaft Used on Type No(s). 1717,1767,1768,1775.</p> <p><b>692717</b> Crankshaft Used on Type No(s). 1955,1986,3178.</p> <p><b>694478</b> Crankshaft Used on Type No(s). 1777.</p> <p><b>694849</b> Crankshaft Used on Type No(s). 1714,1726,2013,2044,2349,2383,2391,2635,2683.</p> <p><b>694850</b> Crankshaft Used on Type No(s). 1836,2331,2333,2681.</p> <p><b>696009</b> Crankshaft Used on Type No(s). 1720,1776,1778,1840,1841,2032,2036,2039,2040.</p> <p><b>696290</b> Crankshaft Used on Type No(s). 2320.</p> <p><b>691454</b> Crankshaft Used on Type No(s). 1706,2151.</p> <p><b>791061</b> Crankshaft Used on Type No(s). 2037,2038.</p>

- ★ Included in Engine Gasket Set–Ref. No.358.
- Included in Carburetor Overhaul Kit–Ref. No. 121.

- ◆ Included in Carburetor Gasket Set–Ref. No. 977.
- ⊗ Included in Valve Gasket Set–Ref. No 1095.

**Illustrations cover a range of engines. Parts shown without corresponding text may not be used on your specific engine.**

# 12H800

REF. NO.	PART NO.	DESCRIPTION	REF. NO.	PART NO.	DESCRIPTION	REF. NO.	PART NO.	DESCRIPTION
20	★399781S	Seal-Oil (PTO Side)	25	795429	Piston Assembly (Standard) (Used After Code Date 07090300).	26	795431	Ring Set (Standard) (Used After Code Date 07090300).
20A	★691952	Seal-Oil (PTO Side) (Auxilliary PTO)			----- <b>Note</b> -----			----- <b>Note</b> -----
22	691092	Screw (Crankcase Cover/ Sump)		791097	Piston Assembly (Standard) (Used After Code Date 04031400 and Before Code Date 07090400).		791098	Ring Set (Standard) (Used After Code Date 04031400 and Before Code Date 07090400).
23A	691987	Flywheel  ----- <b>Note</b> ----- <b>691992</b> Flywheel Used on Type No(s). 0667, 0878, 1149, 1167, 1369, 1548, 1559, 1569, 1701, 1714, 1715, 1726, 1729, 1750, 1786, 1802, 1807, 1817, 1822, 1824, 1836, 1849, 1919, 1932, 1941, 1942, 1948, 1955, 1961, 1967, 2005, 2009, 2013, 2016, 2037, 2038, 2044, 2320, 2324, 2331, 2333, 2349, 2367, 2383, 2391, 2635, 2669, 2673, 2681, 3133, 3178, 3179, 3183, 3324. <b>696291</b> Flywheel Used on Type No(s). 1375, 1376, 1379, 1717, 1718, 1719, 1730, 1731, 1732, 1735, 1754, 1781, 1792, 1795, 1809, 1811, 1959, 1960, 1996, 2001, 2002, 2042, 2043, 2108, 2326, 3181, 3187, 3188.		493262	Piston Assembly (Standard) (Used Before Code Date 97011300).		499425	Ring Set (Standard) (Used After Code Date 97011200 and Before Code Date 04031500).
				795430	Piston Assembly (.020" Oversize) (Used After Code Date 07090300).		493261	Ring Set (Standard) (Used Before Code Date 97011300).
				791326	Piston Assembly (.020" Oversize) (Used After Code Date 04102100 and Before Code Date 07040400).		795432	Ring Set (.020" Oversize) (Used After Code Date 07090300).
				499431	Piston Assembly (.020" Oversize) (Used After Code Date 97011200 and Before Code Date 04102200).		791324	Ring Set (.020" Oversize) (Used After Code Date 04102100 and Before Code Date 07090400).
				493386	Piston Assembly (.020" Oversize) (Used Before Code Date 97011300).		499427	Ring Set (.020" Oversize) (Used After Code Date 97011200 and Before Code Date 04102200).
				493387	Piston Assembly (.030" Oversize) (Used Before Code Date 97011300).		493389	Ring Set (.020" Oversize) (Used Before Code Date 97011300).
						27	691866	Lock-Piston Pin (Used After Code Date 97011200).
24	222698S	Key-Flywheel						----- <b>Note</b> ----- <b>691588</b> Lock- Piston Pin (Used Before Code Date 97011300).

★ Included in Engine Gasket Set-Ref. No.358.  
● Included in Carburetor Overhaul Kit-Ref. No. 121.

◆ Included in Carburetor Gasket Set-Ref. No. 977.  
⊘ Included in Valve Gasket Set-Ref. No 1095.

**Illustrations cover a range of engines. Parts shown without corresponding text may not be used on your specific engine.**  
0990-10 Assemblies include all parts shown in frames. 07/01/2008



REF. NO.	PART NO.	DESCRIPTION	REF. NO.	PART NO.	DESCRIPTION	REF. NO.	PART NO.	DESCRIPTION
28	499423	Pin-Piston (Standard) (Used After Code Date 97011200). ----- <b>Note</b> ----- <b>298909</b> Pin-Piston (Standard) (Used Before Code Date 97011300). <b>298908</b> Pin-Piston (.005" Oversize) (Used Before Code Date 97011300).	46	691449	Camshaft (Used After Code Date 96060200). ----- <b>Note</b> ----- <b>492830</b> Camshaft (Used Before Code Date 96060300).	81	691740	Lock-Muffler Screw
29	499424	Rod-Connecting (Standard) (Used After Code Date 97011200). ----- <b>Note</b> ----- <b>490566</b> Rod- Connecting (Standard) (Used Before Code Date 97011300).	46A	691460	Camshaft (Clockwise) (Used After Code Date 96060200). Used on Type No(s). 0823, 1923. ----- <b>Note</b> ----- <b>493740</b> Camshaft (Clockwise) (Used Before Code Date 96060300). Used on Type No(s). 0823.	83	691778	Shaft-Auxiliary Drive Used on Type No(s). 0679, 0823, 1923, 1947, 1949, 1989. ----- <b>Note</b> ----- <b>690527</b> Shaft-Auxiliary Drive Used on Type No(s). 0662, 1315, 1538, 1762, 2312, 2313, 2314, 2315, 2316, 2351, 2352, 2360, 2378, 2385, 2394, 3115, 3173, 3319.
32	691664	Screw (Connecting Rod)						
32A	695759	Screw (Connecting Rod) (Used After Code Date 00042200).						
33	262651S	Valve-Exhaust						
34	262652S	Valve-Intake						
35	691270	Spring-Valve (Intake)						
36	691270	Spring-Valve (Exhaust)						
37	694086	Guard-Flywheel	50	497465	Manifold-Intake	94	●493765	Kit-Idle Mixture
40	692194	Retainer-Valve	51	★272199S	Gasket-Intake	95	691636	Screw (Throttle Valve)
43	691997	Slinger-Governor/Oil ----- <b>Note</b> ----- <b>691486</b> Slinger- Governor/Oil Used on Type No(s). 1167, 1715, 1961, 2334, 2367, 2673, 3183.	54	691650	Screw (Intake Manifold)	97	493267	Shaft-Throttle (Metal) ----- <b>Note</b> ----- <b>696565</b> Shaft-Throttle (Plastic)
45	690548	Tappet-Valve	55	691421	Housing-Rewind Starter	98	398185	Kit-Idle Speed
			58	280399S	Rope-Starter (Cut To Required Length)	98A	493280	Kit-Idle Speed
			60	281434S	Grip-Starter Rope	101	691623	Pin-Shaft
			65	690837	Screw (Rewind Starter)	104	●691242	Pin-Float Hinge
			78	691108	Screw (Flywheel Guard)	108	691182	Valve-Choke
						108A	795935	Valve-Choke (Used After Code Date 08031200). ----- <b>Note</b> ----- <b>790844</b> Valve-Choke (Used Before Code Date 08031300).
						109	494218	Shaft-Choke
						109A	498593	Shaft-Choke
						109B	795936	Shaft-Choke (Used After Code Date 08031200). ----- <b>Note</b> ----- <b>790843</b> Shaft-Choke (Used Before Code Date 08031300).

★ Included in Engine Gasket Set-Ref. No.358.  
● Included in Carburetor Overhaul Kit-Ref. No. 121.

◆ Included in Carburetor Gasket Set-Ref. No. 977.  
⊘ Included in Valve Gasket Set-Ref. No 1095.

*Illustrations cover a range of engines. Parts shown without corresponding text may not be used on your specific engine.*

0990-11

Assemblies include all parts shown in frames.

07/01/2008

# 12H800

REF. NO.	PART NO.	DESCRIPTION	REF. NO.	PART NO.	DESCRIPTION	REF. NO.	PART NO.	DESCRIPTION
117	494870	Jet–Main (Standard) ----- <b>Note</b> ----- 497466 Jet–Main (Standard) Used on Type No(s). 1538. 498977 Jet–Main (Standard) Used on Type No(s). 0664,0665,0666,0667, 0671,0672,1149,1167, 1170,1368,1369,1370, 1373,1374,1377,1548.	121	498260	Kit–Carburetor Overhaul	127	●694468	Plug–Welch
117A	498978	Jet–Main (Standard) ----- <b>Note</b> ----- 498981 Jet–Main (Standard) Used on Type No(s). 0678,0679,1726,1746, 1777,1801,1802,1803, 1804,1805,1836,1926, 1942,1955,1986,2331, 2349.	125	498170	Carburetor (Primer System) ----- <b>Note</b> ----- 498254 Carburetor (Primer System) Used on Type No(s). 1538. 790821 Carburetor (Primer System) Used on Type No(s). 0680,1749,1837,1850, 1917,2035.	130	●691203	Valve–Throttle ----- <b>Note</b> ----- 696564 Valve–Throttle (Used With Plastic Throttle Shaft)
117B	697355	Jet–Main (Standard)	125A	499059	Carburetor (Choke System) Used on Type No(s). 1701,1714,1715,1786, 1932,1961,2013,2044, 2324,2329,2333,2334, 2349,2367,2383,2391, 2635,2673,2681,3178, 3183. ----- <b>Note</b> ----- 498965 Carburetor (Choke System) Used on Type No(s). 0664,0665,0666,0667, 0671,0672,1149,1167, 1170,1368,1369,1370, 1373,1374,1377,1548, 1747. 790978 Carburetor (Choke System) Used on Type No(s). 0678,0679,1746,1801, 1802,1803,1804,1805. 792253 Carburetor (Choke System) (Used After Code Date 05091800). Used on Type No(s). 1726,1777,1836,1926, 1942,1955,1986,2331, 2349.	133	●398187	Float–Carburetor
118	497315	Jet–Main (High Altitude) ----- <b>Note</b> ----- 496495 Jet–Main (High Altitude) Used on Type No(s). 1538. 498978 Jet–Main (High Altitude) Used on Type No(s). 0664,0665,0666,0667, 0671,0672,1149,1167, 1170,1368,1369,1370, 1373,1374,1377,1548.				134	●398188	Kit–Needle/Seat
118A	498975	Jet–Main (High Altitude) ----- <b>Note</b> ----- 494870 Jet–Main (High Altitude) Used on Type No(s). 0678,0679,1726,1746, 1777,1801,1802,1803, 1804,1805,1836,1926, 1942,1955,1986,2331, 2349.	125B	790845	Carburetor (Autochoke System)	137	●◆693981	Gasket–Float Bowl
118B	692677	Jet–Main (High Altitude)				146	●690979	Key–Timing
						159	●691753	Bracket–Air Cleaner Primer
						163	●◆272653	Gasket–Air Cleaner
						187	●791766	Line–Fuel (Cut to Required Length)
						187A	●791873	Line–Fuel (Molded)
						187B	●791891	Line–Fuel (Includes Filter) (Used After Code Date 05063000). ----- <b>Note</b> ----- 692042 Line–Fuel (Includes Filter) (Used Before Code Date 05070100).
						187C	●791875	Line–Fuel (Molded)
						188	●690877	Screw (Control Bracket)
						190	●690940	Screw (Fuel Tank)
						202	●691829	Link–Mechanical Governor

★ Included in Engine Gasket Set–Ref. No.358.

● Included in Carburetor Overhaul Kit–Ref. No. 121.

◆ Included in Carburetor Gasket Set–Ref. No. 977.

⊗ Included in Valve Gasket Set–Ref. No 1095.

**Illustrations cover a range of engines. Parts shown without corresponding text may not be used on your specific engine.**

0990–12

Assemblies include all parts shown in frames.

07/01/2008

REF. NO.	PART NO.	DESCRIPTION	REF. NO.	PART NO.	DESCRIPTION	REF. NO.	PART NO.	DESCRIPTION
209	691864	Spring-Governor Used on Type No(s). 2329. ----- <b>Note</b> ----- <b>690242</b> Spring-Governor Used on Type No(s). 1932. <b>690241</b> Spring-Governor Used on Type No(s). 1961,3183. <b>790944</b> Spring-Governor Used on Type No(s). 1701.	209B	691851	Spring-Governor ----- <b>Note</b> ----- <b>699056</b> Spring-Governor Used on Type No(s). 0652,0656,0661,0662, 0822,0824,0828,0837, 0838,0839,0877,1148, 1315,1316,1322,1324, 1325,1332,1378,1534, 1540,1544,1547,1569, 1570,1571,1721,1751, 1752,1754,1755,1756, 1761,1762,1764,1770, 1771,1781,1784,1789, 1901,1922,1928,1934, 1937,1938,1947,1949, 1967,1977,1978,1982, 1983,1987,1989,1990, 2009,2312,2314,2316, 2319,2323,2326,2328, 2330,2348,2351,2371, 2372,2378,2381,2384, 2385,2386,2387,2388, 2389,2390,2394,2395, 2396,2632,2634,2641, 2642,2643,2644,2645, 2646,2647,2648,2649, 2670,2671,2672,2675, 2676,2680,2682,2684, 2685,2686,3115,3116, 3122,3124,3127,3128, 3129,3132,3172,3173, 3174,3180,3306,3307, 3308,3309,3312,3318, 3319,3509,6699. <b>693187</b> Spring-Governor Used on Type No(s). 2383,2683. <b>691291</b> Spring-Governor Used on Type No(s). 1715,1777,1786,1836, 1942,1955,1986,2320, 2324,2331,2349,2391, 3178. <b>691290</b> Spring-Governor Used on Type No(s). 1714,1726,2013,2044, 2367,2673,2635,2681.			<b>691292</b> Spring-Governor Used on Type No(s). 0658,0840,0866,0868, 0873,0878,1150,1166, 1171,1320,1365,1366, 1367,1371,1372,1375, 1376,1379,1520,1559, 1717,1718,1719,1723, 1724,1731,1732,1733, 1734,1736,1737,1738, 1750,1758,1760,1763, 1764,1765,1766,1767, 1768,1775,1778,1782, 1785,1790,1791,1792, 1795,1808,1809,1810, 1816,1817,1826,1827, 1829,1837,1839,1845, 1849,1850,1852,1905, 1906,1907,1910,1911, 1912,1913,1915,1916, 1917,1918,1925,1926, 1936,1940,1943,1959, 1962,1963,1964,1965, 1966,1968,1970,1972, 1974,1975,1976,1985, 1991,1992,1993,1995, 1996,1999,2001,2002, 2003,2004,2005,2008, 2011,2012,2014,2017, 2018,2019,2024,2027, 2028,2029,2033,2034, 2041,2148,2149,2151, 2352,3125,3130,3137, 3165,3168,3179,3170, 3181,3185,3186,3314, 3315,3316,3317,3320, 3322,3323,3324,3325. <b>691852</b> Spring-Governor Used on Type No(s). 0670,0680,1706,1720, 1727,1728,1729,1739, 1748,1749,1807,1811, 1814,1818,1820,1821, 1822,1823,1824,1825, 1830,1831,1832,1833, 1835,1840,1841,1844, 1846,1847,1914,1958, 1960,1994,2006,2010, 2015,2016,2021,2023, 2032,2035,2036,2037, 2038,2039,2040,2042, 2043,2108,2379,2380, 3169,3189.
209A	690567	Spring-Governor Used on Type No(s). 1167. ----- <b>Note</b> ----- <b>690568</b> Spring-Governor Used on Type No(s). 1149,1548. <b>691835</b> Spring-Governor Used on Type No(s). 0664,0665,0666,0667, 1170,1368,1369,1370, 1373. <b>262663</b> Spring-Governor Used on Type No(s). 0671,0672. <b>690569</b> Spring-Governor Used on Type No(s). 1374,1377,1747. <b>791157</b> Spring-Governor Used on Type No(s). 1746,1801,1803,1804, 1805. <b>791315</b> Spring-Governor Used on Type No(s). 0678, 0679. <b>792666</b> Spring-Governor Used on Type No(s). 1802.						

★ Included in Engine Gasket Set-Ref. No.358.  
● Included in Carburetor Overhaul Kit-Ref. No. 121.

◆ Included in Carburetor Gasket Set-Ref. No. 977.  
⊗ Included in Valve Gasket Set-Ref. No 1095.

*Illustrations cover a range of engines. Parts shown without corresponding text may not be used on your specific engine.*

# 12H800

REF. NO.	PART NO.	DESCRIPTION	REF. NO.	PART NO.	DESCRIPTION	REF. NO.	PART NO.	DESCRIPTION	
217	690354	Spring-Choke Return	227	690783	Lever-Governor Control	291	790830	Thermostat	
222	790143	Bracket-Control (Remote/Manual Friction)(Primer)	231	691636	Screw (Choke Valve)	300	692038	Muffler (Super Lo Tone)	
222A	692021	Bracket-Control (Remote, Choke A Matic, Non Compliance) ----- <b>Note</b> ----- 690839 Bracket-Control (Manual Friction) (Choke A Matic) Used on Type No(s). 1149, 1167, 1548. 790982 Bracket-Control Used on Type No(s). 0678, 0679, 1746, 1801, 1803, 1804, 1805.	236	691826	Link-Lockout	www.emc-motoculture.com			
222B	693006	Bracket-Control (Fixed Speed Auto Primer Control)	240	298090S	Filter-Fuel				
222C	692150	Bracket-Control (Variable Speed) (5 Position Manual Choke)	259	691223	Bracket-Casing Clamp (Control Wire Casing)				
222D	692467	Bracket-Control (Fixed Speed) ----- <b>Note</b> ----- 791128 Bracket-Control Used on Type No(s). 1379, 1738, 1739, 1781, 1782, 1808, 1809, 1811, 1823, 1825, 1831, 1840, 1841, 1972, 1975, 2015, 2017, 2018, 2019, 2024, 2032, 2036, 2037, 2038, 2039, 2040, 2108, 2151.	265	690798	Clamp-Casing				
222E	692982	Bracket-Control (Manual Friction, 5 Position Manual Choke)	265A	691024	Clamp-Casing				
			265B	692179	Clamp-Casing				
			267	691044	Screw (Casing Clamp)				
			268	691025	Casing-Control Wire (Cut to Required Length)				
			269	691026	Wire-Control (Cut to Required Length)				
			270	691027	Nut (Control Wire Casing)				
			271	691028	Lever-Control				
			276 ♦	271716	Washer-Sealing				
			287	690940	Screw (Dipstick Tube)				
									790828 Muffler Used on Type No(s). 1706, 1738, 1739, 1748, 1750, 1807, 1808, 1816, 1817, 1823, 1824, 1825, 1826, 1827, 1829, 1831, 1835, 1845, 1846, 1847, 1849, 1851, 1963, 1964, 1965, 2011, 2015, 2016, 2017, 2018, 2021, 2022, 2028, 2034, 2041. 792677 Muffler Used on Type No(s). 1844.
									300A
						300B	497681	Muffler (Catalyst)	

★ Included in Engine Gasket Set-Ref. No.358.  
● Included in Carburetor Overhaul Kit-Ref. No. 121.

♦ Included in Carburetor Gasket Set-Ref. No. 977.  
∅ Included in Valve Gasket Set-Ref. No 1095.

**Illustrations cover a range of engines. Parts shown without corresponding text may not be used on your specific engine.**  
0990-14 Assemblies include all parts shown in frames. 07/01/2008

REF. NO.	PART NO.	DESCRIPTION	REF. NO.	PART NO.	DESCRIPTION	REF. NO.	PART NO.	DESCRIPTION
<b>304</b>	<b>493293</b>	Housing-Blower ----- <b>Note</b> ----- <b>493294</b> Housing-Blower Used on Type No(s). 0666, 0667, 0868, 0878, 1149, 1150, 1167, 1171, 1369, 1548, 1559, 1569, 1701, 1705, 1714, 1715, 1726, 1729, 1755, 1766, 1777, 1786, 1802, 1822, 1836, 1839, 1919, 1926, 1932, 1941, 1942, 1948, 1955, 1961, 1967, 1988, 2005, 2009, 2013, 2014, 2027, 2037, 2038, 2044, 2150, 2320, 2324, 2329, 2331, 2333, 2334, 2349, 2350, 2367, 2383, 2391, 2635, 2669, 2673, 2681, 3110, 3120, 3123, 3133, 3138, 3140, 3167, 3176, 3178, 3179, 3183, 3184, 3324. <b>695892</b> Housing-Blower Used on Type No(s). 1721, 1724, 1746, 1747, 1784, 1790, 1830, 1837, 1841, 1850, 1852, 1901, 1906, 1907, 1910, 1911, 1912, 1913, 1915, 1972, 1975, 1989, 2019, 2029, 2033, 2320, 2360, 2370, 2384, 2385, 2386, 2389, 2390, 2394, 2395, 2641, 2643, 2646, 2649, 2684, 2685, 2686, 3129, 3180, 3182, 3308, 3309, 3318, 3319, 3509.			<b>696298</b> Housing-Blower Used on Type No(s). 1375, 1376, 1379, 1717, 1718, 1719, 1730, 1731, 1732, 1735, 1754, 1781, 1792, 1809, 1811, 1959, 1960, 1996, 2001, 2108, 2326, 3181, 3187, 3188. <b>790826</b> Housing-Blower Used on Type No(s). 1706, 1829, 1831, 1835, 1846, 1965, 2018, 2022, 2028. <b>790983</b> Housing-Blower Used on Type No(s). 1738, 1739, 1808, 1823, 1825, 1826, 1964, 2015, 2017. <b>791291</b> Housing-Blower Used on Type No(s). 1750, 1807, 1817, 1824, 1849, 1851, 2016, 2034.		<b>695892</b> Housing-Blower (Used After Code Date 06081300). Used on Type No(s). 0680, 1737, 1749, 1782, 1818, 1820, 1917, 1966, 2012, 2024, 2035, 2148, 2149, 3170, 3185, 3189. <b>493293</b> Housing-Blower (Used Before Code Date 06081400). Used on Type No(s). 0680, 1737, 1749, 1818, 1820, 1917, 1966, 2012, 2148, 2149, 3170, 3185, 3189. <b>790826</b> Housing-Blower (Used After Code Date 06081300). Used on Type No(s). 1748, 1816, 1827, 1844, 1845, 1963, 2011, 2012, 2041. <b>790983</b> Housing-Blower (Used Before Code Date 06081400). Used on Type No(s). 1748, 1816, 1847, 1963, 2011, 2012.	

★ Included in Engine Gasket Set-Ref. No.358.  
 ● Included in Carburetor Overhaul Kit-Ref. No. 121.

◆ Included in Carburetor Gasket Set-Ref. No. 977.  
 ⊗ Included in Valve Gasket Set-Ref. No 1095.

*Illustrations cover a range of engines. Parts shown without corresponding text may not be used on your specific engine.*

# 12H800

REF. NO.	PART NO.	DESCRIPTION	REF. NO.	PART NO.	DESCRIPTION	REF. NO.	PART NO.	DESCRIPTION
305	691108	Screw (Blower Housing)	333A	792640	Armature-Magneto (Screw On Spark Plug Boot)	356	692390	Wire-Stop
306	690450	Shield-Cylinder			----- <b>Note</b> -----	356A	690650	Wire-Stop
306A	790836	Shield-Cylinder			<b>793353</b> Armature-	356B	693010	Wire-Stop
307	690345	Screw (Cylinder Shield)			Magneto	356D	496381	Wire-Stop
309	695550	Motor-Starter (Used Before Code Date 07052900).			(Snap In Spark Plug Boot)	356F	494250	Wire-Stop
309A	795092	Motor-Starter (Used After Code Date 07052800).			<b>792631</b> Armature-	356H	690791	Wire-Stop
310	692327	Bolt (Starter Motor)			Magneto (Screw On Spark Plug Boot)	358	497316	Gasket Set-Engine
332	690662	Nut (Flywheel)			Used on Type No(s). 0680,1706,1739,1748, 1749,1750,1807,1808, 1816,1823,1824,1825, 1829,1831,1835,1837, 1917,1963,1965,2011, 2015,2016,2017,2021, 2028.	359	691077	Washer (Ground Terminal)
333	802574	Armature-Magneto ----- <b>Note</b> ----- <b>790817</b> Armature- Magneto Used on Type No(s). 0680,1738,1739,1748, 1749,1750,1807,1808, 1816,1817,1844,1846, 1847,1917,1963,1964, 1965,2011,2021, 2034.			<b>793354</b> Armature- Magneto (Snap In Spark Plug Boot)	363	19069	Flywheel Puller
					Used on Type No(s). 0680,1706,1739,1748, 1749,1750,1807,1808, 1816,1823,1824,1825, 1826,1827,1829,1831, 1835,1837,1844,1845, 1846,1847,1849,1850, 1917,1963,1965,2011, 2015,2016,2017,2021, 2028,2035,2041.	365	691688	Screw (Carburetor)
						373	691612	Nut (Ground Terminal)
						374	691074	Washer (Camshaft)
						383	89838S	Wrench-Spark Plug
						404	690272	Washer (Governor Crank)
						425A	690670	Screw (Air Cleaner Cover)
						443A	692523	Screw (Air Cleaner Primer Base)
						445A	491588S	Filter-Air Cleaner Cartridge
						455	791960	Cup-Flywheel
						456	692299	Plate-Pawl Friction
						459	281505S	Plate-Ratchet
						474	691991	Alternator
						497	690664	Screw (Stop Switch Bracket)
						500	691086	Washer (Key Switch)
						505	691251	Nut (Governor Control Lever)
						507	691972	Insulator
						510	795093	Drive-Starter
						513	692358	Clutch-Drive
						520	691084	Terminal-Ground
						523	499621	Dipstick
						524	★692296	Seal-Dipstick Tube
						525	495265	Tube-Dipstick
			334	691061	Screw (Magneto Armature)			
			337	802592S	Plug-Spark (Resistor)			
					----- <b>Note</b> -----			
					<b>697451</b> Plug-Spark (EMS)			
			346	690661	Screw (Spark Arrestor)			
			347	691396	Switch-Rocker			

★ Included in Engine Gasket Set-Ref. No.358.  
● Included in Carburetor Overhaul Kit-Ref. No. 121.

◆ Included in Carburetor Gasket Set-Ref. No. 977.  
⊘ Included in Valve Gasket Set-Ref. No 1095.

*Illustrations cover a range of engines. Parts shown without corresponding text may not be used on your specific engine.*

0990-16

Assemblies include all parts shown in frames.

07/01/2008

REF. NO.	PART NO.	DESCRIPTION	REF. NO.	PART NO.	DESCRIPTION	REF. NO.	PART NO.	DESCRIPTION
529	691923	Grommet	613	691340	Screw (Muffler)	664	691087	Nut (Key Switch)
544	690786	Armature-Starter			----- Note -----	668	★493823	Spacer
545	492919	Washer Set (Starter Motor)			790833 Screw (Muffler)	670	692294	Spacer-Fuel Tank
562	92613	Bolt (Governor Control Lever)			Used on Type No(s). 1706, 1738, 1739, 1748, 1750, 1807, 1808, 1816, 1817, 1823, 1824, 1825, 1826, 1827, 1829, 1831, 1835, 1845, 1846, 1847, 1849, 1851, 1963, 1964, 1965, 2011, 2015, 2016, 2017, 2018, 2021, 2022, 2028, 2034, 2041.	676	396548	Deflector-Muffler (Louvered)
564	690664	Screw (Control Cover)				676A	393756	Deflector-Muffler (Side Out)
		----- Note -----				676B	397931	Deflector-Muffler (Direct Out)
		691132 Screw (Control Cover)				676C	493871	Deflector-Muffler (Side Out) (Extended)
564A	691142	Screw (Control Cover)				677	690661	Screw (Muffler Deflector)
564B	698589	Screw (Control Cover)				684	690345	Screw (Breather Passage Cover)
584	697734	Cover-Breather Passage				689	691855	Spring-Friction
585	★691879	Gasket-Breather Passage			792678 Screw (Muffler)	692	690572	Spring-Detent
592	690800	Nut (Rewind Starter)			Used on Type No(s). 1844.	697	691127	Screw (Drive Cap)
597	691696	Screw (Pawl Friction Plate)	613A	691653	Screw (Muffler)	715	691147	Screw (Shaft Stop)
601	791850	Clamp-Hose	613B	691114	Screw (Muffler)	718	690959	Pin-Locating
601A	691038	Clamp-Hose				721	690449	Stop-Shaft
604	691757	Cover-Control	615	690340	Retainer-Governor Shaft	741	795755	Gear-Timing (Plastic)
604A	691344	Cover-Control						----- Note -----
604B	790703	Cover-Control	616	698801	Crank-Governor			794388 Gear-Timing (Use Without Woodruff Key)
604C	792418	Cover-Control	617★◆270344	Seal-O Ring (Intake Manifold)				(Used After Code Date 07093000).
604D	793770	Cover-Control	621	692310	Switch-Stop			790345 Gear-Timing (Use Without Woodruff Key)
608	497680	Starter-Rewind	627	692872	Bracket-Stop Switch			(Used Before Code Date 07100100).
					----- Note -----			691830 Gear-Timing (Uses Woodruff Key)
					792565 Bracket-Stop Switch			
					Used on Type No(s). 1701, 1836, 1961.	742	93941	Retainer-E Ring
			633◆◆691321	Seal-Choke/Throttle Shaft		743	691772	Gear-Drive (Counterclockwise)
			633A◆◆693867	Seal-Choke/Throttle Shaft				----- Note -----
			635	66538S	Boot-Spark Plug			690516 Gear-Drive (Clockwise)
			635A	792597	Boot-Spark Plug (Screw On Style)			Used on Type No(s). 0823.
					----- Note -----	745	691648	Screw (Brake)
					793351 Boot-Spark Plug (Snap On Style)			
			651	691660	Screw (Starter Gear Cover)			

★ Included in Engine Gasket Set-Ref. No.358.

● Included in Carburetor Overhaul Kit-Ref. No. 121.

◆ Included in Carburetor Gasket Set-Ref. No. 977.

⊘ Included in Valve Gasket Set-Ref. No 1095.

*Illustrations cover a range of engines. Parts shown without corresponding text may not be used on your specific engine.*

0990-17

Assemblies include all parts shown in frames.

07/01/2008

# 12H800

REF. NO.	PART NO.	DESCRIPTION	REF. NO.	PART NO.	DESCRIPTION	REF. NO.	PART NO.	DESCRIPTION
783	691918	Gear-Pinion	847	692047	Dipstick/Tube Assembly	923	691994	Brake
783A	691269	Gear-Pinion	851	493880S	Terminal-Spark Plug	923A	695891	Brake
784	795095	Cover-Starter Gear	851A	692424	Terminal-Spark Plug	----- Note -----		
785	692352	Gasket-Starter Cover	853	695268	Adapter-Wire	695891 Brake		
789A	691372	Harness-Wiring (Used Before Code Date 00040700).	868	697338	Seal-Valve	(Used Before Code Date 08050100).		
789B	696547	Harness-Wiring ----- Note ----- 696546 Harness-Wiring Used on Type No(s). 2333, 3138, 3179.	869	691155	Seat-Valve (Intake)	Used on Type No(s). 0680, 1700, 1706, 1721, 1724, 1737, 1746, 1747, 1748, 1749, 1753, 1782, 1816, 1818, 1820, 1827, 1829, 1830, 1831, 1835, 1837, 1841, 1844, 1845, 1846, 1850, 1852, 1906, 1907, 1908, 1910, 1911, 1912, 1913, 1915, 1917, 1930, 1963, 1965, 1966, 1972, 1975, 2011, 2012, 2018, 2019, 2021, 2022, 2024, 2028, 2029, 2033, 2035, 2041, 2148, 2149, 2308, 2639, 3170, 3185, 3189, 3509.		
801	690782	Cap-Drive	870	690380	Seat-Valve (Exhaust)	923B	796136	Brake
802	695267	Cap-End (Used After Code Date 00040600). ----- Note ----- 695975 Cap-End (Used Before Code Date 00040700).	871	262001	Bushing-Valve Guide (Exhaust) ----- Note ----- 63709 Bushing-Valve Guide (Intake)	(Used After Code Date 08043000).		
803	695266	Housing-Starter (Used After Code Date 00040600). ----- Note ----- 695975 Housing-Starter (Used Before Code Date 00040700).	883	691881	Gasket-Exhaust	Used on Type No(s). 0680, 1700, 1706, 1721, 1724, 1737, 1746, 1747, 1748, 1749, 1753, 1782, 1816, 1818, 1820, 1827, 1829, 1830, 1831, 1835, 1837, 1841, 1844, 1845, 1846, 1850, 1852, 1906, 1907, 1908, 1910, 1911, 1912, 1913, 1915, 1917, 1930, 1963, 1965, 1966, 1972, 1975, 2011, 2012, 2018, 2019, 2021, 2022, 2024, 2028, 2029, 2033, 2035, 2041, 2148, 2149, 2308, 2639, 3170, 3185, 3189, 3509.		
832	499034	Guard-Muffler	892	690646	Switch-Key	(Used After Code Date 08043000).		
832A	691424	Guard-Muffler	910	691094	Stud (Alternator)	Used on Type No(s). 0680, 1700, 1706, 1721, 1724, 1737, 1746, 1747, 1748, 1749, 1753, 1782, 1816, 1818, 1820, 1827, 1829, 1830, 1831, 1835, 1837, 1841, 1844, 1845, 1846, 1850, 1852, 1906, 1907, 1908, 1910, 1911, 1912, 1913, 1915, 1917, 1930, 1963, 1965, 1966, 1972, 1975, 2011, 2012, 2018, 2019, 2021, 2022, 2024, 2028, 2029, 2033, 2035, 2041, 2148, 2149, 2308, 2639, 3170, 3185, 3189, 3509.		
832B	497683	Guard-Muffler	921	497233	Cover-Blower Housing	Used on Type No(s). 0680, 1700, 1706, 1721, 1724, 1737, 1746, 1747, 1748, 1749, 1753, 1782, 1816, 1818, 1820, 1827, 1829, 1830, 1831, 1835, 1837, 1841, 1844, 1845, 1846, 1850, 1852, 1906, 1907, 1908, 1910, 1911, 1912, 1913, 1915, 1917, 1930, 1963, 1965, 1966, 1972, 1975, 2011, 2012, 2018, 2019, 2021, 2022, 2024, 2028, 2029, 2033, 2035, 2041, 2148, 2149, 2308, 2639, 3170, 3185, 3189, 3509.		
832E	793568	Guard-Muffler	921A	695886	Cover-Blower Housing	Used on Type No(s). 0680, 1700, 1706, 1721, 1724, 1737, 1746, 1747, 1748, 1749, 1753, 1782, 1816, 1818, 1820, 1827, 1829, 1830, 1831, 1835, 1837, 1841, 1844, 1845, 1846, 1850, 1852, 1906, 1907, 1908, 1910, 1911, 1912, 1913, 1915, 1917, 1930, 1963, 1965, 1966, 1972, 1975, 2011, 2012, 2018, 2019, 2021, 2022, 2024, 2028, 2029, 2033, 2035, 2041, 2148, 2149, 2308, 2639, 3170, 3185, 3189, 3509.		
836	690664	Screw (Muffler Guard)	921B	692931	Cover-Blower Housing Used on Type No(s). 2012, 2320, 2331, 2626, 2391, 2396. ----- Note ----- 692932 Cover-Blower Housing Used on Type No(s). 2333, 2334.	Used on Type No(s). 0680, 1700, 1706, 1721, 1724, 1737, 1746, 1747, 1748, 1749, 1753, 1782, 1816, 1818, 1820, 1827, 1829, 1830, 1831, 1835, 1837, 1841, 1844, 1845, 1846, 1850, 1852, 1906, 1907, 1908, 1910, 1911, 1912, 1913, 1915, 1917, 1930, 1963, 1965, 1966, 1972, 1975, 2011, 2012, 2018, 2019, 2021, 2022, 2024, 2028, 2029, 2033, 2035, 2041, 2148, 2149, 2308, 2639, 3170, 3185, 3189, 3509.		
836A	690661	Screw (Muffler Guard)	921C	695889	Cover-Blower Housing	Used on Type No(s). 0680, 1700, 1706, 1721, 1724, 1737, 1746, 1747, 1748, 1749, 1753, 1782, 1816, 1818, 1820, 1827, 1829, 1830, 1831, 1835, 1837, 1841, 1844, 1845, 1846, 1850, 1852, 1906, 1907, 1908, 1910, 1911, 1912, 1913, 1915, 1917, 1930, 1963, 1965, 1966, 1972, 1975, 2011, 2012, 2018, 2019, 2021, 2022, 2024, 2028, 2029, 2033, 2035, 2041, 2148, 2149, 2308, 2639, 3170, 3185, 3189, 3509.		
836B	691147	Screw (Muffler Guard)	921E	696262	Cover-Blower Housing	Used on Type No(s). 0680, 1700, 1706, 1721, 1724, 1737, 1746, 1747, 1748, 1749, 1753, 1782, 1816, 1818, 1820, 1827, 1829, 1830, 1831, 1835, 1837, 1841, 1844, 1845, 1846, 1850, 1852, 1906, 1907, 1908, 1910, 1911, 1912, 1913, 1915, 1917, 1930, 1963, 1965, 1966, 1972, 1975, 2011, 2012, 2018, 2019, 2021, 2022, 2024, 2028, 2029, 2033, 2035, 2041, 2148, 2149, 2308, 2639, 3170, 3185, 3189, 3509.		
836C	790745	Screw (Muffler Guard)	921F	697343	Cover-Blower Housing	Used on Type No(s). 0680, 1700, 1706, 1721, 1724, 1737, 1746, 1747, 1748, 1749, 1753, 1782, 1816, 1818, 1820, 1827, 1829, 1830, 1831, 1835, 1837, 1841, 1844, 1845, 1846, 1850, 1852, 1906, 1907, 1908, 1910, 1911, 1912, 1913, 1915, 1917, 1930, 1963, 1965, 1966, 1972, 1975, 2011, 2012, 2018, 2019, 2021, 2022, 2024, 2028, 2029, 2033, 2035, 2041, 2148, 2149, 2308, 2639, 3170, 3185, 3189, 3509.		
842	691031	Seal-O Ring (Dipstick Tube)	921G	790701	Cover-Blower Housing	Used on Type No(s). 0680, 1700, 1706, 1721, 1724, 1737, 1746, 1747, 1748, 1749, 1753, 1782, 1816, 1818, 1820, 1827, 1829, 1830, 1831, 1835, 1837, 1841, 1844, 1845, 1846, 1850, 1852, 1906, 1907, 1908, 1910, 1911, 1912, 1913, 1915, 1917, 1930, 1963, 1965, 1966, 1972, 1975, 2011, 2012, 2018, 2019, 2021, 2022, 2024, 2028, 2029, 2033, 2035, 2041, 2148, 2149, 2308, 2639, 3170, 3185, 3189, 3509.		
843	691884	Sleeve-Lever (Speed Control)	921H	790037	Cover-Blower Housing	Used on Type No(s). 0680, 1700, 1706, 1721, 1724, 1737, 1746, 1747, 1748, 1749, 1753, 1782, 1816, 1818, 1820, 1827, 1829, 1830, 1831, 1835, 1837, 1841, 1844, 1845, 1846, 1850, 1852, 1906, 1907, 1908, 1910, 1911, 1912, 1913, 1915, 1917, 1930, 1963, 1965, 1966, 1972, 1975, 2011, 2012, 2018, 2019, 2021, 2022, 2024, 2028, 2029, 2033, 2035, 2041, 2148, 2149, 2308, 2639, 3170, 3185, 3189, 3509.		
843A	691895	Sleeve-Lever (Choke)	921J	790036	Cover-Blower Housing	Used on Type No(s). 0680, 1700, 1706, 1721, 1724, 1737, 1746, 1747, 1748, 1749, 1753, 1782, 1816, 1818, 1820, 1827, 1829, 1830, 1831, 1835, 1837, 1841, 1844, 1845, 1846, 1850, 1852, 1906, 1907, 1908, 1910, 1911, 1912, 1913, 1915, 1917, 1930, 1963, 1965, 1966, 1972, 1975, 2011, 2012, 2018, 2019, 2021, 2022, 2024, 2028, 2029, 2033, 2035, 2041, 2148, 2149, 2308, 2639, 3170, 3185, 3189, 3509.		
			921K	699984	Cover-Blower Housing	Used on Type No(s). 0680, 1700, 1706, 1721, 1724, 1737, 1746, 1747, 1748, 1749, 1753, 1782, 1816, 1818, 1820, 1827, 1829, 1830, 1831, 1835, 1837, 1841, 1844, 1845, 1846, 1850, 1852, 1906, 1907, 1908, 1910, 1911, 1912, 1913, 1915, 1917, 1930, 1963, 1965, 1966, 1972, 1975, 2011, 2012, 2018, 2019, 2021, 2022, 2024, 2028, 2029, 2033, 2035, 2041, 2148, 2149, 2308, 2639, 3170, 3185, 3189, 3509.		
			921N	792675	Cover-Blower Housing	Used on Type No(s). 0680, 1700, 1706, 1721, 1724, 1737, 1746, 1747, 1748, 1749, 1753, 1782, 1816, 1818, 1820, 1827, 1829, 1830, 1831, 1835, 1837, 1841, 1844, 1845, 1846, 1850, 1852, 1906, 1907, 1908, 1910, 1911, 1912, 1913, 1915, 1917, 1930, 1963, 1965, 1966, 1972, 1975, 2011, 2012, 2018, 2019, 2021, 2022, 2024, 2028, 2029, 2033, 2035, 2041, 2148, 2149, 2308, 2639, 3170, 3185, 3189, 3509.		
			921P	792687	Cover-Blower Housing	Used on Type No(s). 0680, 1700, 1706, 1721, 1724, 1737, 1746, 1747, 1748, 1749, 1753, 1782, 1816, 1818, 1820, 1827, 1829, 1830, 1831, 1835, 1837, 1841, 1844, 1845, 1846, 1850, 1852, 1906, 1907, 1908, 1910, 1911, 1912, 1913, 1915, 1917, 1930, 1963, 1965, 1966, 1972, 1975, 2011, 2012, 2018, 2019, 2021, 2022, 2024, 2028, 2029, 2033, 2035, 2041, 2148, 2149, 2308, 2639, 3170, 3185, 3189, 3509.		
			921R	793771	Cover-Blower Housing	Used on Type No(s). 0680, 1700, 1706, 1721, 1724, 1737, 1746, 1747, 1748, 1749, 1753, 1782, 1816, 1818, 1820, 1827, 1829, 1830, 1831, 1835, 1837, 1841, 1844, 1845, 1846, 1850, 1852, 1906, 1907, 1908, 1910, 1911, 1912, 1913, 1915, 1917, 1930, 1963, 1965, 1966, 1972, 1975, 2011, 2012, 2018, 2019, 2021, 2022, 2024, 2028, 2029, 2033, 2035, 2041, 2148, 2149, 2308, 2639, 3170, 3185, 3189, 3509.		
			921U	794355	Cover-Blower Housing	Used on Type No(s). 0680, 1700, 1706, 1721, 1724, 1737, 1746, 1747, 1748, 1749, 1753, 1782, 1816, 1818, 1820, 1827, 1829, 1830, 1831, 1835, 1837, 1841, 1844, 1845, 1846, 1850, 1852, 1906, 1907, 1908, 1910, 1911, 1912, 1913, 1915, 1917, 1930, 1963, 1965, 1966, 1972, 1975, 2011, 2012, 2018, 2019, 2021, 2022, 2024, 2028, 2029, 2033, 2035, 2041, 2148, 2149, 2308, 2639, 3170, 3185, 3189, 3509.		
			922	691831	Spring-Brake	Used on Type No(s). 0680, 1700, 1706, 1721, 1724, 1737, 1746, 1747, 1748, 1749, 1753, 1782, 1816, 1818, 1820, 1827, 1829, 1830, 1831, 1835, 1837, 1841, 1844, 1845, 1846, 1850, 1852, 1906, 1907, 1908, 1910, 1911, 1912, 1913, 1915, 1917, 1930, 1963, 1965, 1966, 1972, 1975, 2011, 2012, 2018, 2019, 2021, 2022, 2024, 2028, 2029, 2033, 2035, 2041, 2148, 2149, 2308, 2639, 3170, 3185, 3189, 3509.		
			922A	692135	Spring-Brake	Used on Type No(s). 0680, 1700, 1706, 1721, 1724, 1737, 1746, 1747, 1748, 1749, 1753, 1782, 1816, 1818, 1820, 1827, 1829, 1830, 1831, 1835, 1837, 1841, 1844, 1845, 1846, 1850, 1852, 1906, 1907, 1908, 1910, 1911, 1912, 1913, 1915, 1917, 1930, 1963, 1965, 1966, 1972, 1975, 2011, 2012, 2018, 2019, 2021, 2022, 2024, 2028, 2029, 2033, 2035, 2041, 2148, 2149, 2308, 2639, 3170, 3185, 3189, 3509.		

★ Included in Engine Gasket Set-Ref. No.358.  
● Included in Carburetor Overhaul Kit-Ref. No. 121.

◆ Included in Carburetor Gasket Set-Ref. No. 977.  
⊘ Included in Valve Gasket Set-Ref. No 1095.

*Illustrations cover a range of engines. Parts shown without corresponding text may not be used on your specific engine.*  
0990-18 Assemblies include all parts shown in frames. 07/01/2008

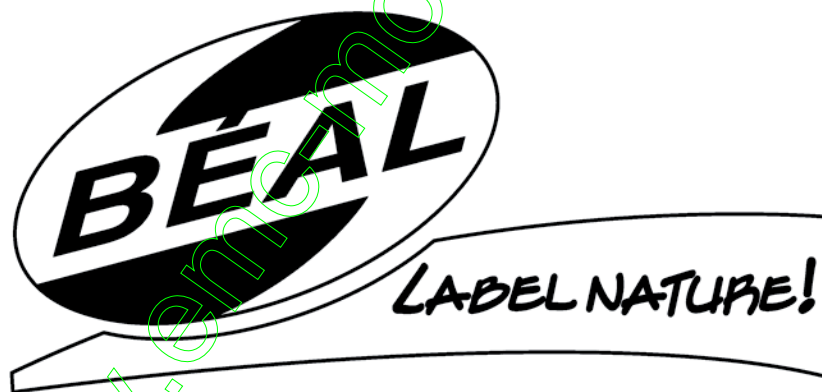


REF. NO.	PART NO.	DESCRIPTION	REF. NO.	PART NO.	DESCRIPTION	REF. NO.	PART NO.	DESCRIPTION
925	795403	Cover-Linkage (Used After Code Date 07072200). ----- <b>Note</b> ----- <b>690595</b> Cover-Linkage (Used Before Code Date 07072300).	972	699392	Tank-Fuel (Plastic)	1095	498528	Gasket Set-Valve
930	691919	Guard-Rewind (Round)	972B	699374	Tank-Fuel (Plastic) ----- <b>Note</b> ----- <b>699387</b> Tank-Fuel (Plastic) Used on Type No(s). 1375, 1376, 1379, 1717, 1718, 1719, 1730, 1731, 1732, 1735, 1754, 1781, 1792, 1795, 1959, 1960, 1996, 2001, 2002, 2042, 2043, 2108, 2326, 3181, 3187, 3188.	1102	691266	Pilot-Guide Used on Type No(s). 1167, 1715, 2367, 2673. ----- <b>Note</b> ----- <b>691255</b> Pilot-Guide Used on Type No(s). 1955, 1961, 2681, 3183.
930A	691345	Guard-Rewind (Teardrop)	975	493640	Bowl-Float	1119	691648	Screw (Alternator)
935	499421	Switch-Interlock	976	694395	Primer-Carburetor	1160	690345	Screw (Interlock Switch)
937	691325	Spline-Starter	977	498261	Gasket Set-Carburetor	1210	498144	Pulley/Spring Assembly (Pulley)
940	690664	Screw (Casing Clamp Bracket)	986	693514	Filter-Debris Foam	1211	498144	Pulley/Spring Assembly (Spring)
946	691738	Stop-Rope	990	691959	Key Set	1236	695959	Starter-Mechanical (Touch N Mow) (Do Not Service Individual Parts, Only As A Whole) ----- <b>Note</b> ----- <b>699914</b> Starter-Me- chanical (Touch N Mow) (Do Not Service Individual Parts, Only As A Whole) Used on Type No(s). 2001.
957	397974S	Cap-Fuel Tank (Plastic) ----- <b>Note</b> ----- <b>692662</b> Cap-Fuel Tank (Plastic) Used on Type No(s). 2384, 3312, 3318, 3319.	990A	695951	Key Set (Touch N Mow)	1319	794467	Label-Warning
957A	692046	Cap-Fuel Tank (Plastic)	994	398067	Arrestor-Spark	1330	270962	Manual-Repair
957B	699985	Cap-Fuel Tank (Plastic)	1005	691346	Fan-Flywheel	1386	790848	Vane-Air (Autochoke System)
958	698183	Valve-Fuel Shut Off (Plastic)	1009	696255	Screw (Starter Motor)	1387	790849	Spring-Air Vane
966A	496116	Base-Air Cleaner Primer	1019	494256	Kit-Label ----- <b>Note</b> ----- <b>790231</b> Kit-Label (Touch N Mow)	1388	790850	Screw (Air Vane) (Autochoke System)
966B	792040	Base-Air Cleaner Primer	1036		Label-Emissions (Available From A Briggs & Statton Authorized Dealer)			
967A	493537S	Filter-Pre Cleaner	1058	277039	Operator's Manual ----- <b>Note</b> ----- <b>277101</b> Operator's Manual (Touch N Mow)			
968B	692298	Cover-Air Cleaner	1059	692311	Kit-Screw/Washer ----- <b>Note</b> ----- <b>696293</b> Kit-Screw/ Washer (Touch N Mow)			
969	690700	Screw (Blower Housing Cover)						
969A	691138	Screw (Blower Housing Cover)						
970	691669	Screw (Air Cleaner Primer Bracket)						

★ Included in Engine Gasket Set-Ref. No.358.  
● Included in Carburetor Overhaul Kit-Ref. No. 121.

◆ Included in Carburetor Gasket Set-Ref. No. 977.  
⊗ Included in Valve Gasket Set-Ref. No 1095.

*Illustrations cover a range of engines. Parts shown without corresponding text may not be used on your specific engine.*



**Yvan Béal - 21, av. de l'Agriculture - B.P 16  
Z.I. du Brézet - 63014 Clermont-Ferrand Cedex 2  
Tél: 04 73 91 93 51 - Télécopie : 04 73 90 23 11  
www.yvanbeal.fr - E-mail : info@yvanbeal.fr  
R.C.S. B 304 973 886 - S.A.S. au capital de 612 000 €**