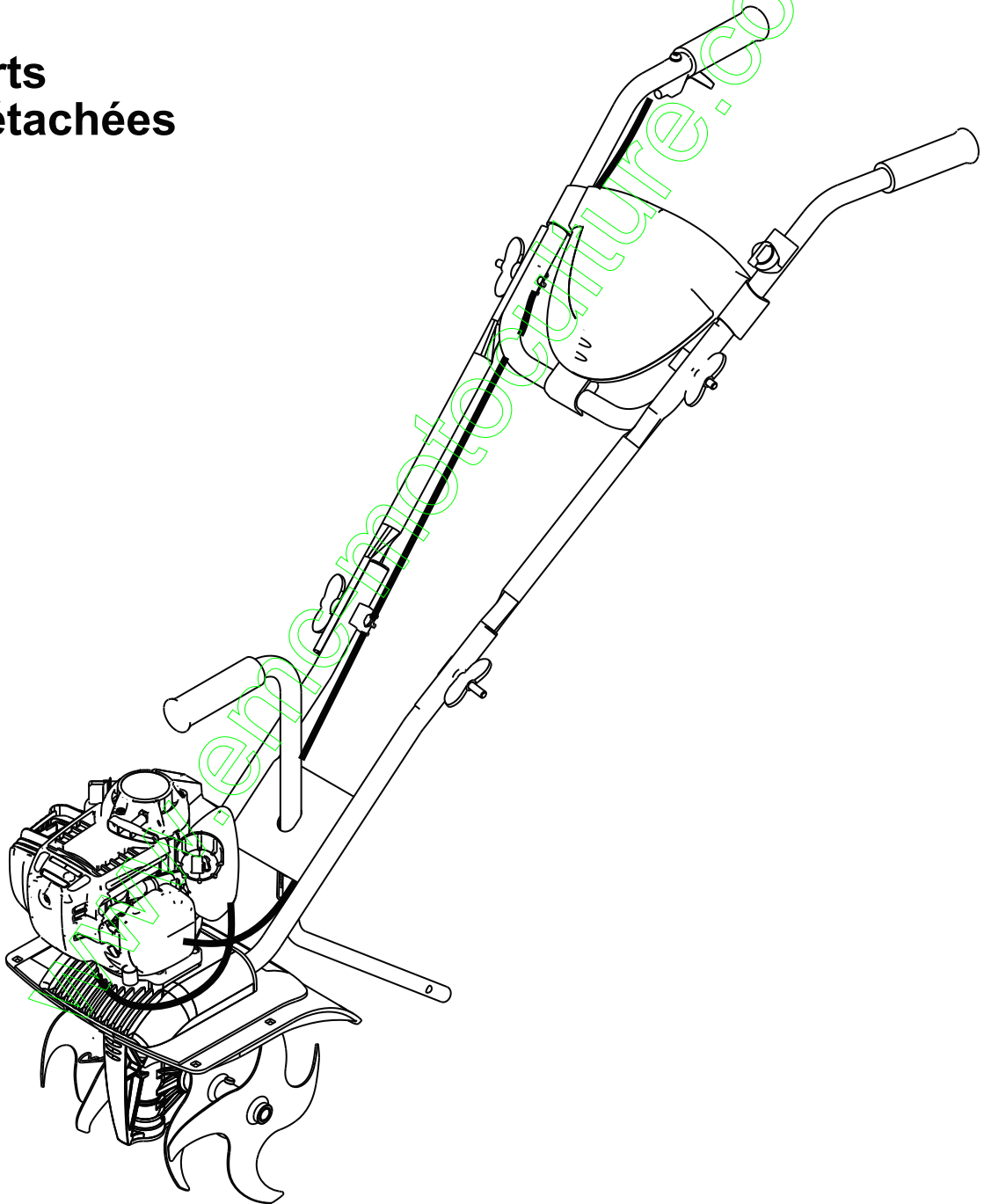
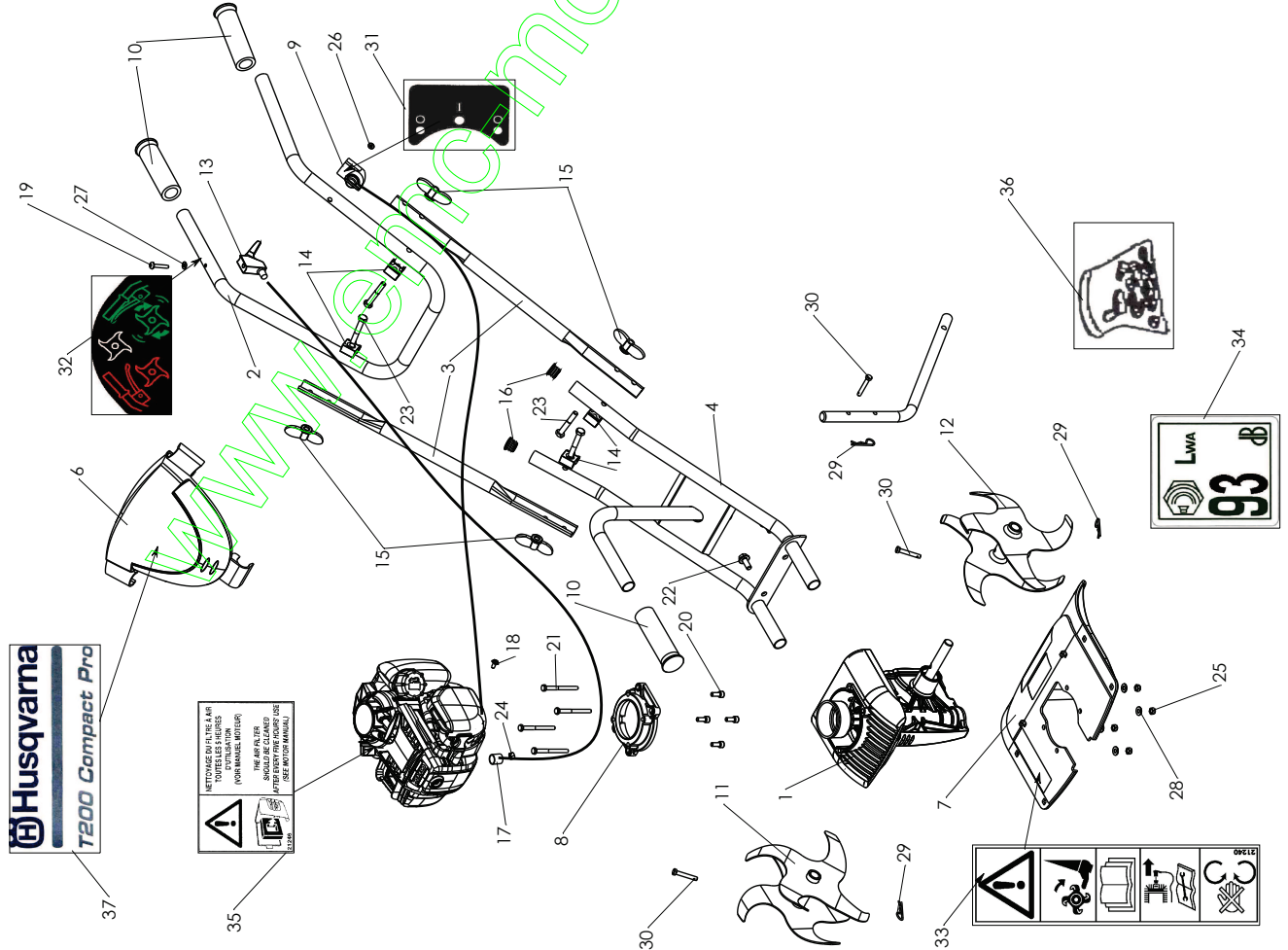


T200 COMPACT PRO

Spare parts
Pièces détachées



REPAIR PARTS
TILLER - MODEL NO. T 200 Compact Pro, PRODUCT NO.501 98 60-01



REPAIR PARTS
TILLER - MODEL NO. T 200 Compact Pro, PRODUCT NO.501 98 60-01

Rep N°	PART NO.	Description	Designation	Qtye
1	501 98 57-01	Transmission	Transmission	1
2	531 00 85-28	Grey (627) top handlebar	Guidon haut gris 627	1
3	531 00 85-25	Grey intermediate handlebar	Guidon intermédiaire gris	2
4	531 00 85-27	Grey bottom handlebar	Guidon bas gris	1
5	531 00 85-26	Black spur	Béquille noire	1
6	531 00 85-45	Orange control panel	Tableau de bord orange	1
7	531 00 85-24	Grey guard	Protecteur gris	1
8	501 98 56-01	Adapter axle/motor Micro GX25	Adaptateur pont/moteur Micro GX25	1
9	531 00 85-58	Switch engine cut-off Honda (GX)	Switch arrêt moteur Honda (GX)	1
10	544 20 66-01	Hand side grip	Poignée Ø22x120	3
11	531 00 85-29	Rotating blade right	Fraise 4 ctx Droite	1
12	531 00 85-30	Rotating blade left	Fraise 4 ctx Gauche	1
13	531 00 85-33	Throttle cable + lever	Câble gaz + Manette	1
14	544 20 57-01	Cable handlebar fixing block	Support câble guidon noir	4
15	501 98 51-01	Handlebar fignening handle	Ecrou papillon guidon noir	4
16	531 00 85-37	Black plug Ø22	Embout rond noir Ø22	2
17	501 98 58-01	Polyamid spacer	Entretoise polyamide	1
18	519 65 30-48	Tensil screw TH 5x10 bic	Vis Tensil TH crant 5x10 bic	1
19	501 98 52-01	Positive screw M 5x30 Z	Vis poz M 5x30 Z	1
20	531 00 84-09	Screw CHC M6x20z	Vis CHC M 6x20z	4
21	531 00 85-42	Screw HM 6x65 Z	Vis HM 6x65 Z	4
22	519 65 34-33	Screw H M8x20 z notched shoulder	Vis HM 8x20 z emb cr	2
23	544 20 75-01	Screw HM 8x50 Z	Vis HM 8x50 Z	4
24	501 98 59-01	Nut HM6 z	Ecrou HM6 z	1
25	732 26 16-01	Blocking nut M 6 Z	Ecrou frein M 6 Z	4
26	531 00 85-39	Washer M 3.2x10x1 Z	Rondelle M 3.2x10x1 Z	1
27	501 98 53-61	Washer M 5x12x1 Z	Rondelle M 5x12x1 Z	1
28	519 65 34-49	Washer M6x14x1.2 Z	Rondelle M6x14x1.2 Z	4
29	519 65 12-20	Clip pin beta 2 Z	Goupille Béta 2 Z	3
30	501 98 55-61	Pin 6x38 Z	Goupille 6x38 Z	3
31	501 96 37-01	On/Off Label	Etiquette Marche/Arrêt	1
32	519 65 30-85	Label "clutch lever"	Etiq. "Embrayage"	1
33	531 00 85-40	Safety label	Etiq. "sécurité"	1
34	501 96 25-01	level noise label	Etiquette niveau de bruit	1
35	531 00 94-20	Label "Air filter cleaning"	Etiquelle "Net filtre à air"	1
36	531 00 85-70	Bag of screws (microbineuse)	Pochette visserie (microbineuse)	1
37	531 00 94-19	Label "T200 Compact Pro"	Etiquette "T200 Compact Pro"	1