



# PIECES DETACHEES

Tracteur

**TF317**  
**TF321**

**TF317F-MDE41, MDE42**  
**TF317FH-ME41, ME42**  
**TF321F-MDUE41, MDUE42**  
**TF321FH-MUE41, MUE42**



Yves BÉAL 25, Av. de l'agriculture - B.P. 16  
21 460-80000 Châtillon - Fournet Cedex 2  
Tel : 04 77 91 82 31 - Télécopie : 04 77 92 22 31  
www.yvesbeal.fr Email: yvesbeal@yvesbeal.fr  
N.C.S. 504 873 886 - SIREN 504 873 886

1620-097-1000-0

03-000146-050215



Directions for use of Parts Catalogue

1. Applicable model of machines

All component and option parts used for TF317 and TF321 Tractor are listed in this parts catalogue.

Description of type of machines and particulars

Type of Machines	Sction	F	FH	MD	M	MDU	MU	E41	E42	Engine
TF317F	MDE41	○		○						E3100 - B02
	MDE42	○		○					○	
TF317FH	ME41		○		○			○		E3100 - B01
	ME42		○		○				○	
TF321F	MDUE41	○				○		○		E3112 - B01
	MDUE42	○							○	
TF321FH	MUE41		○				○	○		E3112 - B
	MUE42		○					○	○	

- NOTES :
- F.....FOUR WHEEL DRIVE
  - FH.....FOUR WHEEL DRIVE.HST
  - MD.....MID PTO.DUAL CLUTCH
  - M.....MID PTO.SINGLE CLUTCH
  - MDU.....MID PTO.DUAL CLUTCH.POWER STEERING
  - MU.....MID PTO.SINGLE CLUTCH.POWER STEERING
  - E41.....LOW LUG TYPE FOR EUROPE
  - E42.....TURF TYPE FOR EUROPE

2. Exelation for head paragraph

KEY	PART CODE	DESCRIPTION	QTY	TYPE OF MODEL			I T C	C O L	G R P	REMARKS
				TF15	TF17	TF19				
126	1614-508-200-00	FILTER(SUCTION) ASSY	1	*	*			4E		
127	V721-103-103-50	O-RING	1	*	*					
128	1614-508-250-00	FILTER(SUCTION) ASSY	1	*	*	811-199				
129	1614-508-262-00	FILTER(LH)	1	*	*	*			FIG. 164	
		ASSY	1	*	*	*		4E	A	
			1	*	*	*		3		
						1-199				
								1	4E	
									A	

- ① KEY shows the location of parts diagramed in the illustration.
- ② Parts numbers begin with `V` and `W` are standard parts of the market.
- ③ `LH` and `RH` on the parts name are described against the moving direction of the machine or are described on the condition how to install parts on the machines.
- ④ QTY shows the number of parts to be used for one unit of machine.  
 `M` is indicated for parts supplied by a meter long.  
 `l` is indicated for parts supplied by liter.  
 `AR` is indicated for parts need to be adjusted or regulated.
- ⑤ The following symbol classifies parts to be used for machines.  
 `\*` means standard parts.  
 `T` shows that the parts can be installed as optional parts.  
 `R` shows that the parts can be used as applicable parts to replace originally equipped parts.
- ⑥ Serial number : upper row shows the serial number for the first product and lower row for the last product.  
 Example : Serial no. 1 through to serial no. 1999.
- ⑦ ITC : Interchangeability  
 1 `...OLD ← NEW`  
 New parts can be used in place of the old parts.  
 2 `...OLD → NEW`  
 Old parts can be used in place of the new parts.  
 3 `...OLD ✕ NEW`  
 Old parts and new parts can not be replaced each other.
- ⑧ COL : Color code  
 Color is signified with color code number for colored parts.  
 Please see the color list shown in the next page.
- ⑨ GRP : Parts shown in this column can be replaced by SET parts.  
 Example : Parts marked ④ can be replaced by parts marked ③, and ① for ②, so the rest follow in the same alphabetical order.
- ⑩ Remarks  
 \* Other maker's part code number is shown in this column.  
 \* When Fig. No. is shown in the Remark column of SET parts or ASSY parts, each of their component parts are listed in said Fig. No.

### 3. Color :

The following colors are used for color parts.

COLOR CODE	COLOR	SPRAY TYPE CODE NUMBER	PAINTS 4K DRUM	PAINTS 16K DRUM
4 G	CRYSTAL BLUE	1300-957-001-10	1300-957-003-00	1300-957-004-00
5 I	SUNSET GRAY	1300-959-001-10	1300-959-003-00	1300-959-004-00
6 G	SUMMER WHITE	1300-958-001-10	1300-958-003-00	1300-958-004-00
7 F	MIRROR BLACK	1300-954-001-10	1300-954-003-00	1300-954-004-00

NOTE : Color code is signified only for the parts assigned by the maker as color parts.

### 4. Serial Numbers :

- 1) For engines serial number is stamped on CYLINDER BLOCK ASSY.

Please see Fig.No.5 - 1

- 2) For chassies serial number is shown on the LABEL.

Please see

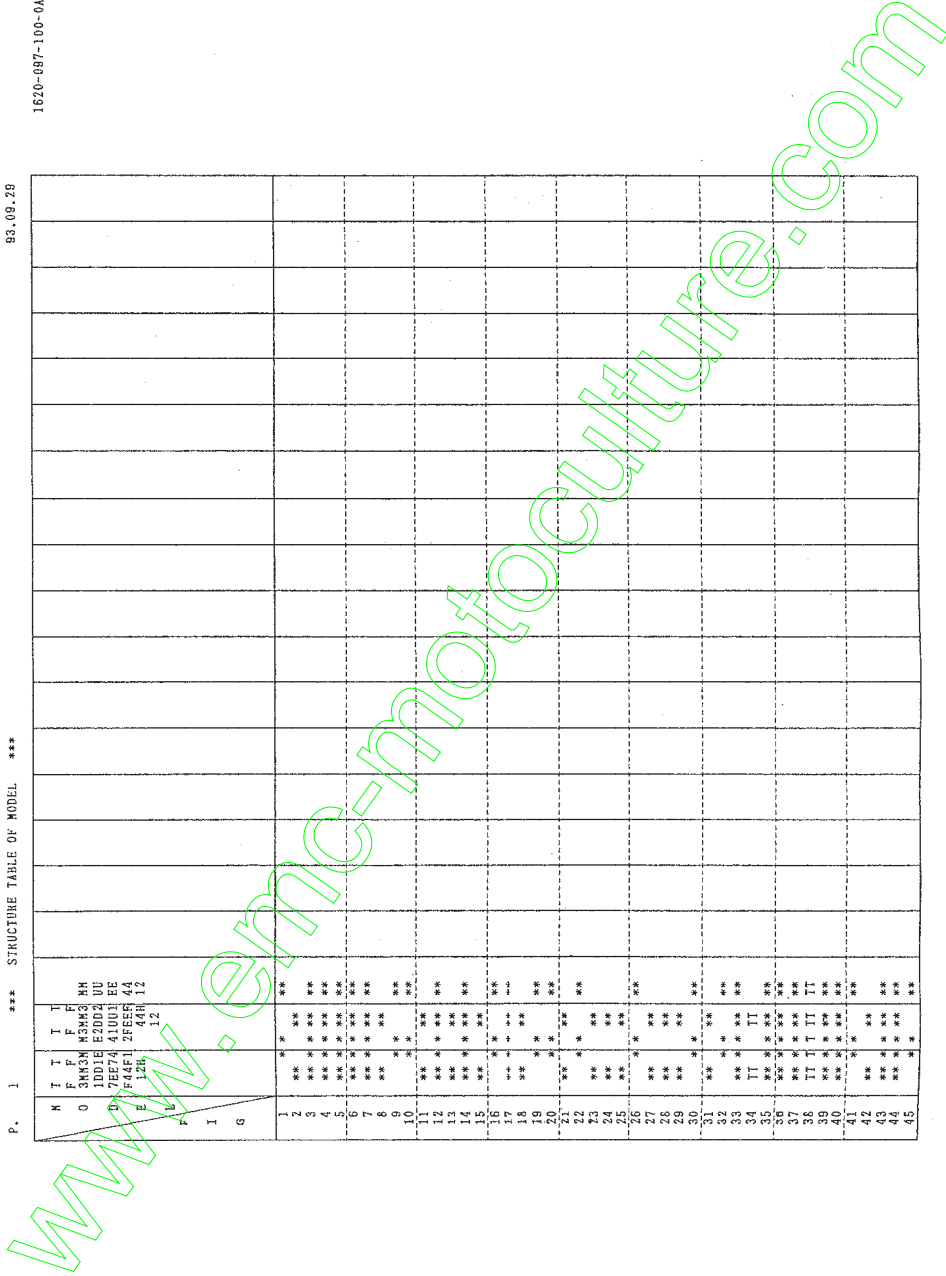


### 5. Parts Order

- 1) Parts numbers listed in the parts catalogue are all registered in "ISEKI on-line computer".
- 2) When you order parts, please make sure of correct numbers.
- 3) When substitute parts is available, the part number ordered will be automatically turned to a new part number.
- 4) Please be sure to use "ISEKI GENUINE PARTS".

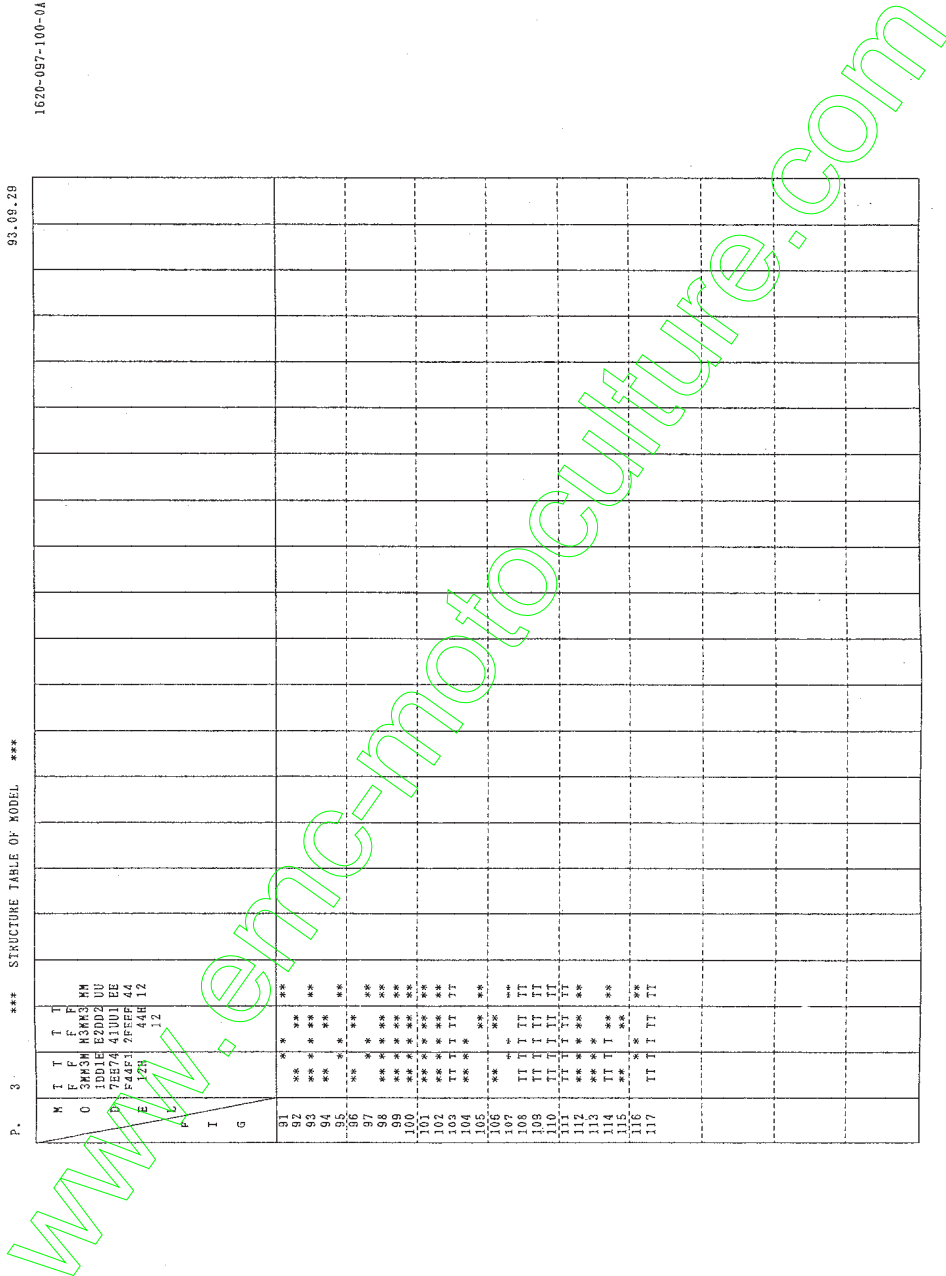
Any other similar parts other than ISEKI parts when used may cause a trouble that makes us unable to repair or guarantee the warrant.

	0	1	2	3	4	5	6	7	8	9	10	11	12	13	14	15	16	17	18	19	20	21	22	23	24	25	26	27	28	29	30	31	32	33	34	35	36	37	38	39	40	41	42	43	44	45														
N																																																												
T																																																												
F																																																												
I																																																												
I																																																												
F																																																												





Part No.	Description	Quantity	Unit	Material	Notes
91	MTI	**	**	**	**
92	MTI	**	**	**	**
93	MTI	**	**	**	**
94	MTI	**	**	**	**
95	MTI	**	**	**	**
96	MTI	**	**	**	**
97	MTI	**	**	**	**
98	MTI	**	**	**	**
99	MTI	**	**	**	**
100	MTI	**	**	**	**
101	MTI	**	**	**	**
102	MTI	**	**	**	**
103	MTI	**	**	**	**
104	MTI	**	**	**	**
105	MTI	**	**	**	**
106	MTI	**	**	**	**
107	MTI	**	**	**	**
108	MTI	**	**	**	**
109	MTI	**	**	**	**
110	MTI	**	**	**	**
111	MTI	**	**	**	**
112	MTI	**	**	**	**
113	MTI	**	**	**	**
114	MTI	**	**	**	**
115	MTI	**	**	**	**
116	MTI	**	**	**	**
117	MTI	**	**	**	**





## CONTENTS

TF317F

ENGINE (E3100-B02)

CYLINDER HEAD .....	Fig. 1
CYLINDER HEAD COVER .....	Fig. 2
INLET MANIFOLD .....	Fig. 3
EXHAUST MANIFOLD .....	Fig. 4
CYLINDER BLOCK .....	Fig. 5
BEARING/UNDER SIZE (OPTION) .....	Fig. 6
OIL PAN .....	Fig. 7
REAR PLATE .....	Fig. 8
TIMING GEAR CASE .....	Fig. 9
HANGER .....	Fig. 10
VALVE .....	Fig. 11
CAM SHAFT .....	Fig. 12
PISTON .....	Fig. 13
PISTON/OVER SIZE (OPTION) .....	Fig. 14
CRANK SHAFT .....	Fig. 15
OIL PUMP .....	Fig. 16
WATER PUMP .....	Fig. 17
COOLING FAN .....	Fig. 18
INJECTION NOZZLE .....	Fig. 19
INJECTION PUMP .....	Fig. 20
FUEL PIPE .....	Fig. 21
ELECTRIC (1) .....	Fig. 22
ELECTRIC (2) .....	Fig. 23
6215-300-006-10 .....	Fig. 24
6215-300-009-10 .....	Fig. 25
6215-660-052-20 .....	Fig. 26
6281-100-002-10 .....	Fig. 27
6281-200-005-00 .....	Fig. 28

## CONTENTS

TF317FH  
ENGINE (E3100-B01)

CYLINDER HEAD .....	Fig. 1
CYLINDER HEAD COVER .....	Fig. 2
INLET MANIFOLD .....	Fig. 3
EXHAUST MANIFOLD .....	Fig. 4
CYLINDER BLOCK .....	Fig. 5
BEARING/UNDER SIZE (OPTION) .....	Fig. 6
OIL PAN .....	Fig. 7
REAR PLATE .....	Fig. 8
TIMING GEAR CASE .....	Fig. 9
HANGER .....	Fig. 10
VALVE .....	Fig. 11
CAM SHAFT .....	Fig. 12
PISTON .....	Fig. 13
PISTON/OVER SIZE (OPTION) .....	Fig. 14
CRANK SHAFT .....	Fig. 15
OIL PUMP .....	Fig. 16
WATER PUMP .....	Fig. 17
COOLING FAN .....	Fig. 18
INJECTION NOZZLE .....	Fig. 19
INJECTION PUMP .....	Fig. 20
FUEL PIPE .....	Fig. 21
ELECTRIC (1) .....	Fig. 22
ELECTRIC (2) .....	Fig. 23
6215-300-006-10 .....	Fig. 24
6215-300-009-10 .....	Fig. 25
6215-600-052-20 .....	Fig. 26
6281-100-002-10 .....	Fig. 27
6281-200-005-00 .....	Fig. 28

## CONTENTS

TF321F

ENGINE (E3112-B01)

CYLINDER HEAD .....	Fig 1
CYLINDER HEAD COVER .....	Fig 2
INLET MANIFOLD .....	Fig 3
EXHAUST MANIFOLD .....	Fig 4
CYLINDER BLOCK .....	Fig 5
BEARING/UNDER SIZE (OPTION) .....	Fig 6
OIL PAN .....	Fig 7
REAR PLATE .....	Fig 8
TIMING GEAR CASE .....	Fig 9
HANGER .....	Fig 10
VALVE .....	Fig 11
CAM SHAFT .....	Fig 12
PISTON .....	Fig 13
PISTON/OVER SIZE (OPTION) .....	Fig 14
CRANK SHAFT .....	Fig 15
OIL PUMP .....	Fig 16
WATER PUMP .....	Fig 17
COOLING FAN .....	Fig 18
INJECTION NOZZLE .....	Fig 19
INJECTION PUMP .....	Fig 20
FUEL PIPE .....	Fig 21
ELECTRIC (1) .....	Fig 22
ELECTRIC (2) .....	Fig 23
6 2 1 5 - 3 0 0 - 0 2 5 - 0 0 .....	Fig 24
6 2 1 5 - 3 0 0 - 0 2 6 - 0 0 .....	Fig 25
6 2 1 5 - 6 4 0 - 1 0 3 - 0 0 .....	Fig 26
6 2 8 1 - 1 0 0 - 0 0 2 - 1 0 .....	Fig 27
6 2 8 1 - 2 0 0 - 0 0 5 - 0 0 .....	Fig 28

## CONTENTS

TF321FH  
ENGINE (E3112-B)

CYLINDER HEAD .....	Fig. 1
CYLINDER HEAD COVER .....	Fig. 2
INLET MANIFOLD .....	Fig. 3
EXHAUST MANIFOLD .....	Fig. 4
CYLINDER BLOCK .....	Fig. 5
BEARING/UNDER SIZE (OPTION) .....	Fig. 6
OIL PAN.....	Fig. 7
REAR PLATE .....	Fig. 8
TIMING GEAR CASE .....	Fig. 9
HANGER .....	Fig. 10
VALVE .....	Fig. 11
CAM SHAFT .....	Fig. 12
PISTON .....	Fig. 13
PISTON/OVER SIZE (OPTION) .....	Fig. 14
CRANK SHAFT .....	Fig. 15
OIL PUMP .....	Fig. 16
WATER PUMP .....	Fig. 17
COOLING FAN.....	Fig. 18
INJECTION NOZZLE .....	Fig. 19
INJECTION PUMP .....	Fig. 20
FUEL PIPE .....	Fig. 21
ELECTRIC (1) .....	Fig. 22
ELECTRIC (2) .....	Fig. 23
6 2 1 5 - 3 0 0 - 0 2 5 - 0 0 .....	Fig. 24
6 2 1 5 - 3 0 0 - 0 2 6 - 0 0 .....	Fig. 25
6 2 1 5 - 6 0 0 - 1 0 3 - 0 0 .....	Fig. 26
6 2 8 1 - 1 0 0 - 0 0 2 - 1 0 .....	Fig. 27
6 2 8 1 - 2 0 0 - 0 0 5 - 0 0 .....	Fig. 28

## CONTENTS

## CHASSIS

RADIATOR (HST) SYSTEM (M,MU TYPE) .....	Fig. 1
RADIATOR SYSTEM (MD,MDU TYPE) .....	Fig. 2
MUFFLER SYSTEM .....	Fig. 3
AIR CLEANER SYSTEM .....	Fig. 4
FILTER SYSTEM .....	Fig. 5
FUEL TANK SYSTEM .....	Fig. 6
BATTERY SYSTEM .....	Fig. 7
LEVER (ACCELL) /PEDAL (ACCELL) SYSTEM (MD,MDU TYPE) .....	Fig. 8
LEVER (ACCELL) SYSTEM (M,MU TYPE) .....	Fig. 9
MAIN CLUTCH SYSTEM (M,MU TYPE) .....	Fig. 10
DUAL CLUTCH SYSTEM (MD,MDU TYPE) .....	Fig. 11
INPUT GEAR SYSTEM .....	Fig. 12
COUNTER GEAR SYSTEM (MD,MDU TYPE) .....	Fig. 13
DRIVE GEAR (HST) /PTO DRIVE GEAR SYSTEM .....	Fig. 14
SPACER SYSTEM (MD,MDU TYPE) .....	Fig. 15
SPACER (HST) SYSTEM (M,MU TYPE) .....	Fig. 16
CLUTCH SHAFT SYSTEM .....	Fig. 17
PEDAL (CLUTCH/W) SYSTEM (MD,MDU TYPE) .....	Fig. 18
PEDAL (CLUTCH/S) SYSTEM (M,MU TYPE) .....	Fig. 19
FRONT MISSION CASE (HST) SYSTEM (M,MU TYPE) .....	Fig. 20
FRONT MISSION CASE SYSTEM (MD,MDU TYPE) .....	Fig. 21
HST, INPUT GEAR (HST) SYSTEM (M,MU TYPE) .....	Fig. 22
INPUT GEAR (G) SYSTEM (MD,MDU TYPE) .....	Fig. 23
MAIN CHANGE GEAR SYSTEM (MD,MDU TYPE) .....	Fig. 24
MAIN COUNTER GEAR/SUB CHANGE GEAR SYSTEM (MD,MDU TYPE) ..	Fig. 25
SUB COUNTER GEAR (HST) SYSTEM (M,MU TYPE) .....	Fig. 26
BACK GEAR/ CREEP COVER SYSTEM (MD,MDU TYPE) .....	Fig. 27
MAIN CHANGE SYSTEM (MD,MDU TYPE) .....	Fig. 28
SUB CHANGE SYSTEM (MD,MDU TYPE) .....	Fig. 29
SUB CHANGE (HST) SYSTEM (M,MU TYPE) .....	Fig. 30

4WD DRIVE GEAR SYSTEM (MD,MDU TYPE) .....	Fig. 31
4WD DRIVE GEAR (HST) SYSTEM (M,MU TYPE) .....	Fig. 32
4WD CHANGE SYSTEM .....	Fig. 33
CREEP GEAR SYSTEM (MD,MDU TYPE) (OPTION) .....	Fig. 34
REAR MISSION CASE SYSTEM .....	Fig. 35
PTO COUNTER GEAR/PTO SHAFT SYSTEM .....	Fig. 36
PTO CHANGE SYSTEM .....	Fig. 37
TRAILER HITCH SYSTEM (OPTION) .....	Fig. 38
PTO (MID) SET .....	Fig. 39
CHANGE LEVER/MAIN, SUB SYSTEM .....	Fig. 40
CHANGE LEVER (4WD/HST) SYSTEM (M,MU TYPE) .....	Fig. 41
CHANGE LEVER (4WD) SYSTEM (MD,MDU TYPE) .....	Fig. 42
CHANGE LEVER (PTO) SYSTEM .....	Fig. 43
CHANGE LEVER (MID PTO) SYSTEM .....	Fig. 44
LINK (HST) SYSTEM (M,MU TYPE) .....	Fig. 45
PEDAL (HST) SYSTEM (M,MU TYPE) .....	Fig. 46
LEVER (HST) SYSTEM (M,MU TYPE) .....	Fig. 47
PIPING (HST) SYSTEM (M,MU TYPE) .....	Fig. 48
DRIVE PINION SYSTEM (MD,MDU TYPE) .....	Fig. 49
DRIVE PINION (HST) SYSTEM (M,MU TYPE) .....	Fig. 50
DIFF CASE SYSTEM .....	Fig. 51
REAR AXLE HOUSING SYSTEM .....	Fig. 52
WHEEL SHAFT SYSTEM .....	Fig. 53
DIFF - LOCK/PEDAL (DIFF - LOCK) SYSTEM .....	Fig. 54
BRAKE SYSTEM .....	Fig. 55
PEDAL (BRAKE) SYSTEM .....	Fig. 56
BRAKE (PARKING) SYSTEM .....	Fig. 57
REAR WHEEL SYSTEM	
(TF317/41 TYPE - STANDARD · 42 TYPE - OPTION) .....	Fig. 58
REAR WHEEL SYSTEM	
(TF321/41 TYPE - STANDARD · 42 TYPE - OPTION) .....	Fig. 59
REAR WHEEL SYSTEM (41 TYPE - OPTION · 42 TYPE - STANDARD) .....	Fig. 60
STEERING WHEEL SYSTEM .....	Fig. 61
STEERING SHAFT SYSTEM .....	Fig. 62

STEERING (MANUAL) SYSTEM (TF317 TYPE) .....	Fig 63
POWER STEERING SYSTEM (TF321 TYPE) .....	Fig 64
POWER STEERING SYSTEM (TF317 TYPE) (OPTION) .....	Fig 65
BRACKET (AXLE) /BUMPER/SAFETY COVER SYSTEM .....	Fig 66
DRIVE SHAFT SYSTEM (MD,MDU TYPE) .....	Fig 67
DRIVE SHAFT (HST) SYSTEM (M,MU TYPE) .....	Fig 68
BEVEL CASE SYSTEM .....	Fig 69
AXLE HOUSING SYSTEM .....	Fig 70
FINAL GEAR CASE SYSTEM .....	Fig 71
TIE ROD SYSTEM .....	Fig 72
FRONT WHEEL (4WD) SYSTEM	
(TF317/41 TYPE - STANDARD • TF317/42 TYPE - OPTION) .....	Fig 73
FRONT WHEEL (4WD) SYSTEM	
(TF321/41 TYPE - STANDARD • TF321/42 TYPE - OPTION) .....	Fig 74
FRONT WHEEL (TURF) SYSTEM	
(41 TYPE OPTION • 42 TYPE STANDARD) .....	Fig 75
CYLINDER CASE SYSTEM .....	Fig 76
BLANK PLUG, SHAFT (SLOW RETURN) SYSTEM .....	Fig 77
LIFT ARM SYSTEM .....	Fig 78
CYLINDER SYSTEM .....	Fig 79
LINK (POSITION) SYSTEM .....	Fig 80
LEVER (POSITION) /COVER (VALVE) SYSTEM .....	Fig 81
VALVE (STACK/R1) SET (OPTION) .....	Fig 82
VALVE (STACK/R2) SET (OPTION) .....	Fig 83
PIPING SYSTEM .....	Fig 84
3P LINK SYSTEM .....	Fig 85
HOOD SYSTEM .....	Fig 86
GRILLE SYSTEM .....	Fig 87
COVER (STEERING) SYSTEM .....	Fig 88
COVER (SIDE) SYSTEM .....	Fig 89
FENDER SYSTEM .....	Fig 90
GUIDE (LEVER/HST) SYSTEM (M,MU TYPE) .....	Fig 91
GUIDE (LEVER) SYSTEM (MD,MDU TYPE) .....	Fig 92
MOUNT (FRONT) /SEAT SYSTEM .....	Fig 93

MOUNT (REAR/E40) SYSTEM (MD,MDU TYPE) .....	Fig. 94
MOUNT (REAR/HST/E40) SYSTEM (M,MU TYPE) .....	Fig. 95
FLOOR SYSTEM (MD,MDU TYPE) .....	Fig. 96
FLOOR (HST) SYSTEM (M,MU TYPE) .....	Fig. 97
MIRROR/HEAD LAMP (E40) SYSTEM .....	Fig. 98
LAMP (E40) SYSTEM .....	Fig. 99
PANEL SYSTEM .....	Fig. 100
SWITCH SYSTEM .....	Fig. 101
HARNES SYSTEM .....	Fig. 102
FRAME (REAR/OECD) SYSTEM (OPTION) .....	Fig. 103
ORNAMENT (TF317) .....	Fig. 104
ORNAMENT (TF321) .....	Fig. 105
LABEL (STD) (MD,MDU TYPE) .....	Fig. 106
LABEL (HST) (M,MU TYPE) .....	Fig. 107
LABEL (ENGLAND) (OPTION) .....	Fig. 108
LABEL (FRANCE) (OPTION) .....	Fig. 109
LABEL (GERMAN) (OPTION) .....	Fig. 110
LABEL (PORTUGAL) (OPTION) .....	Fig. 111
TOOL .....	Fig. 112
1 6 1 4 - 4 0 6 - 2 1 0 - 0 0 .....	Fig. 113
1 6 1 4 - 4 0 7 - 2 1 0 - 0 0 .....	Fig. 114
1 6 2 0 - 1 2 1 - 2 5 0 - 0 0 .....	Fig. 115
1 6 2 0 - 2 0 2 - 5 0 0 - 0 0 .....	Fig. 116
1 6 4 0 - 5 3 0 - 6 0 0 - 0 0 .....	Fig. 117



# ENGINE

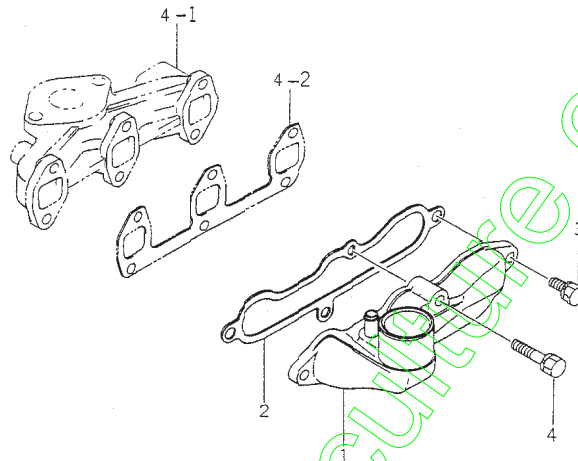
E3100-B02...TF317F

[www.emc-motoculture.com](http://www.emc-motoculture.com)





FIG. 3 INLET MANIFOLD



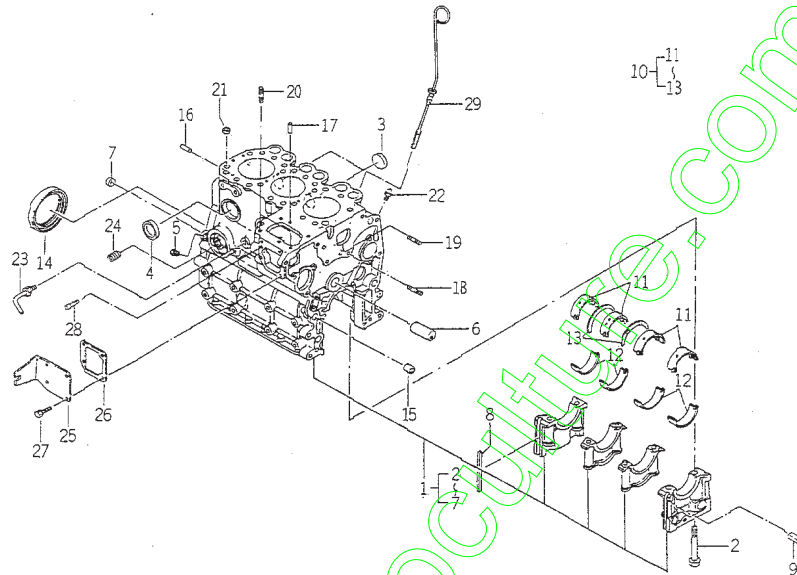
6093-1208

KEY	PART CODE	DESCRIPTION	QTY	TYPE OF MODEL			T	C	O	L	G	P	REMARKS
				E3190B	02								
1	6214-111-011-20	MANIFOLD (INLET) ASSY	1	*									
2	6214-115-001-20	GASKET,INLET MANIFOLD	1	*									
3	6901-910-820-00	BOLT,SEMS 7/8X20	3	*									
4	6901-910-840-00	BOLT	1	*									

www.ENC-ntoculture.com



FIG. 5 CYLINDER BLOCK



6004-2013

KEY	PART CODE	DESCRIPTION	QTY	TYPE OF MODEL			REMARKS
				E31008 02	I T C	C O L	
1	6211 - 210 - 046 - 00	CYLINDERBLOCK ASSY	1	*			
2	6209 - 000 - 004 - 00	BOLT	8	*			
3	6209 - 610 - 001 - 00	CAP,SEALING	2	*			
4	6911 - 219 - 195 - 00	CAP,SEALING	4	*			
5	6509 - 605 - 019 - 10	PLUG	3	*			
6	6212 - 531 - 005 - 00	PIN,IDE GEAR	1	*			
7	6911 - 129 - 083 - 00	CAP,SEALING	2	*			
8	6211 - 258 - 001 - 00	SEAL,BEARING CAP	4	*			
9	6211 - 258 - 002 - 00	SEAL,BEARING CAP,/7	2	*			
10	6211 - 510 - 001 - 00	METAL,CRANK SET	1	*			
11	6211 - 511 - 001 - 00	METAL,CRANK	4	*			
12	6211 - 511 - 002 - 00	METAL,CRANK	4	*			
13	6211 - 599 - 001 - 10	BEARING,THRUST CRANK	2	*			
14	6209 - 625 - 001 - 00	SEAL,OIL	1	*			
15	6209 - 749 - 001 - 10	PIN,TUBE	2	*			
16	6908 - 160 - 816 - 00	PIN	2	*			
17	6908 - 180 - 612 - 00	PIN/STRIANER	2	*			
18	6904 - 110 - 840 - 00	STUD,/MBX40	1	*			
19	6904 - 110 - 818 - 00	STUD	1	*			
20	6904 - 110 - 822 - 00	STUD	2	*			
21	6894 - 453 - 344 - 00	DOWEL	2	*			
22	6909 - 902 - 299 - 00	NIPPLE	1	*			
23	6513 - 721 - 043 - 00	PIPE,WATER DRAIN	1	*			
24	6213 - 319 - 001 - 00	CONNECTOR,OIL FILTER	1	*			
25	6211 - 291 - 013 - 00	COVER,/INJECTIONPUMP	1	*			





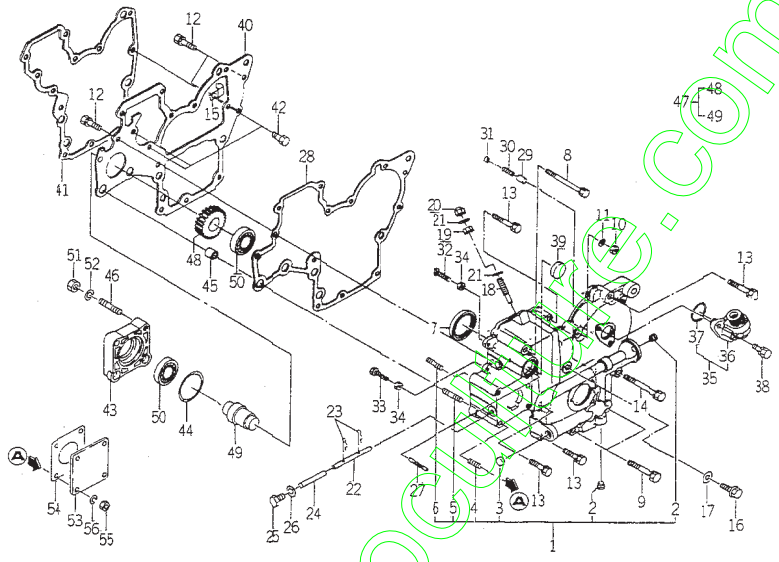








FIG. 9 TIMING GEAR CASE



6604-2400

KEY	PART CODE	DESCRIPTION	QTY	TYPE OF MODEL		I	C	C	R	P	REMARKS
				E31008	02						
26	6909 - 920 - 843 - 00	PACKING	1	*							
27	6209 - 740 - 001 - 00	PIN,GROOVE	1	*							
28	6211 - 312 - 003 - 10	GASKET,GEAR CASE	1	*							
23	6213 - 161 - 001 - 00	PISTON,RELIEF VALVE	1	*							
30	6213 - 164 - 001 - 00	SPRING,RELIEF VALVE	1	*							
31	6213 - 163 - 002 - 00	CAP,RELIEF VALVE	1	*							
32	6209 - 050 - 001 - 00	BOLT/M6	1	*							
33	6209 - 050 - 002 - 00	BOLT/M6	1	*							
34	6909 - 110 - 406 - 00	NUT	2	*							
35	6219 - 310 - 003 - 00	DRIVE TACHOMETER	1	*							
36	6219 - 310 - 004 - 00	DRIVE/TACHOMETER	1	*							
37	V723 - 102 - 002 - 48	RING,O	1	*							
38	6901 - 910 - 516 - 00	BOLT,SEMS/M6X16	2	*							
39	3625 - 540 - 004 - 00	CAP,BLANK/30	1	*							
40	6211 - 311 - 807 - 20	PLATE,FRONT	1	*							
41	6211 - 312 - 004 - 10	GASKET,PLATEASE	1	*							
42	6902 - 050 - 816 - 00	BOLT	3	*							
43	6211 - 319 - 003 - 00	SPACER	1	*							
44	V723 - 102 - 005 - 00	O - RING 1A S50	1	*							
45	6209 - 749 - 001 - 10	PIN,TUBE	2	*							
46	6904 - 110 - 822 - 00	STUD	1	*							
47	6212 - 530 - 005 - 00	SHAFT/HYDRAULIC ASSY	1	*							
48	6212 - 525 - 003 - 00	GEAR	1	*							
49	6212 - 533 - 005 - 00	SHAFT	1	*							
50	V600 - 110 - 600 - 50	BEARING,RB/6005	2	*							





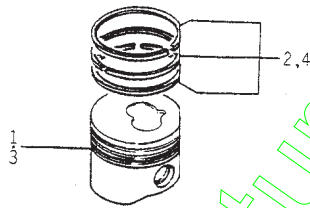








FIG. 14 PISTON/OVER SIZE (OPTION)



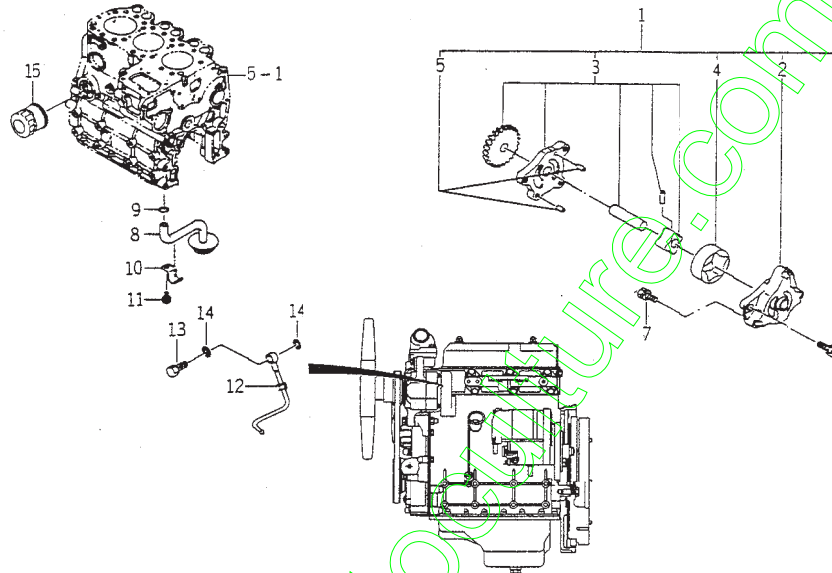
6004-1483

KEY	PART CODE	DESCRIPTION	QTY	TYPE OF MODEL		I T C	C O L	G R P	REMARKS
				E31008 02					
1	6212-114-013-10	PISTON/OV050	3	T					
2	6212-124-008-00	RING (PISTON/OV50) SET	3	T					
3	6212-116-013-10	PISTON/OV100	3	T					
4	6212-126-008-00	RING (PISTON/OV) SET	3	T					

www.encyclopedia.com



FIG. 16 OIL PUMP



60M-491B

KEY	PART CODE	DESCRIPTION	QTY	TYPE OF MODEL		I T C	C O L	G R P	REMARKS
				E3100B	02				
1	6213 - 100 - 003 - 20	PUMP,OIL ASSY	1	*					
2	6213 - 111 - 001 - 20	BODY/OILPUMP	1	*					
3	6213 - 120 - 003 - 00	GEAR/OILEUMP ASSY	1	*					
4	6213 - 125 - 001 - 00	ROTOR/OUTER	1	*					
5	6908 - 160 - 408 - 00	PIN/STRAIGHT	2	*					
6	6209 - 009 - 001 - 00	BOLT,WS	3	*					
7	6901 - 910 - 625 - 00	BOLT	3	*					
8	6213 - 140 - 008 - 00	STRAINER	1	*					
9	V720 - 102 - 401 - 60	O-RING/P15	1	*					
10	6213 - 149 - 002 - 00	CLAMP,STRAINER	1	*					
11	6901 - 910 - 816 - 00	BOLT,SEMS/M8X16	1	*					
12	6213 - 311 - 006 - 00	PIPE,OIL	1	*					
13	6909 - 906 - 105 - 10	BOLT,JOINT	1	*					
14	6909 - 920 - 843 - 00	PACKING	2	*					
15	6213 - 240 - 002 - 00	CARTRIDGE,OIL FILTER	1	*					



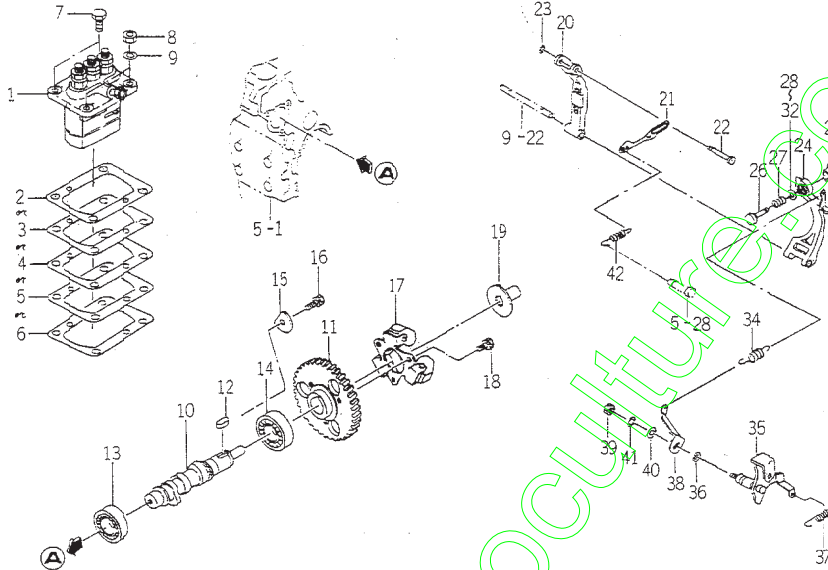








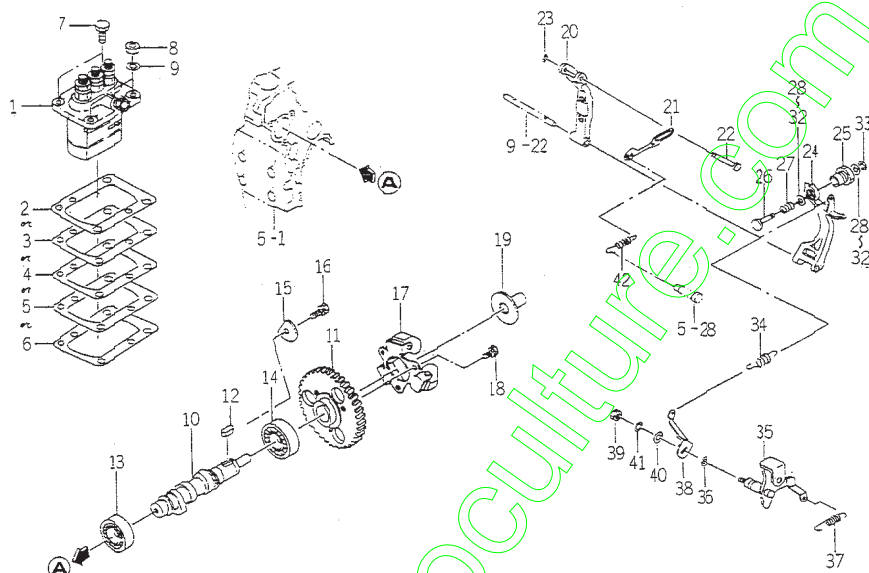
FIG. 20 INJECTION PUMP



6064-510E

KEY	PART CODE	DESCRIPTION	QTY	TYPE OF MODEL	I	C	COL	GRD.	REMARKS
1	6215 - 600 - 052 - 20	PUMP,INJ	1	*					FIG 026
2	6219 - 752 - 006 - 00	SHIM/PUMP,INJ	1	*					
3	6219 - 752 - 007 - 00	SHIM/PUMP,INJ	1	*					
4	6219 - 752 - 008 - 00	SHIM/PUMP,INJ	1	*					
5	6219 - 752 - 009 - 00	SHIM/PUMP,INJ	1	*					
6	6219 - 752 - 010 - 00	SHIM/PUMP,INJ	1	*					
7	6902 - 050 - 820 - 00	BOLT	2	*					
8	6909 - 110 - 508 - 00	NUT/M6	2	*					
9	6909 - 150 - 508 - 00	WASHER	2	*					
10	6215 - 621 - 002 - 30	SHAFT,GAM/INJ,PUMP	1	*					
11	6212 - 524 - 002 - 00	GEAR,INJ PUMP	1	*					
12	6908 - 000 - 716 - 00	KEY	1	*					
13	V600 - 110 - 620 - 30	BEARING,RB/6203	1	*					
14	V600 - 110 - 600 - 40	BEARING,RB/6004	1	*					
15	6212 - 535 - 002 - 00	PLATE,THRUST INJ,PUMP	1	*					
16	6901 - 910 - 612 - 00	BOLT,SEMS/M6X12	1	*					
17	6215 - 520 - 001 - 00	FLYWEIGHT	1	*					
18	6209 - 030 - 043 - 00	BOLT/M6X10	3	*					
19	6215 - 526 - 001 - 10	PIECE,THRUST	1	*					
20	6215 - 541 - 001 - 00	ARM,FLOATING	1	*					
21	6215 - 543 - 002 - 10	RINK/CONTROL	1	*					
22	6215 - 542 - 006 - 00	RIN,CONTROL	1	*					
23	V710 - 140 - 004 - 00	RING,SNAP/ 4 E	1	*					
24	6215 - 541 - 016 - 10	ARM/TENSION	1	*					
25	6215 - 549 - 028 - 00	CASE/ADAPTER	1	*					

FIG. 20 INJECTION PUMP



5064-1106

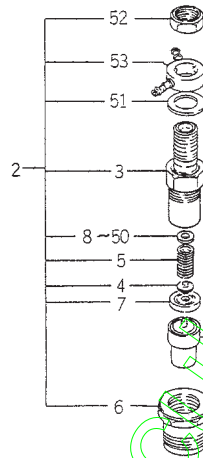
KEY	PART CODE	DESCRIPTION	QTY	TYPE OF MODEL		I T C	C O L	G R P	REMARKS
				E3100B 02					
26	6215 - 549 - 027 - 10	PIN/ADAPTER	1	*					
27	6215 - 549 - 005 - 10	SPRING ADAPTER	1	*					
28	6215 - 549 - 006 - 00	SHIM,ADAPTER	2	*					
29	6215 - 549 - 009 - 00	SHIM,ADAPTER	2	*					
30	6215 - 549 - 010 - 00	SHIM,ADAPTER	2	*					
31	6215 - 549 - 023 - 00	SHIM/ADAPTER	1	*					
32	6215 - 549 - 024 - 00	SHIM/ADAPTER	1	*					
33	V710 - 140 - 004 - 00	RING,SNAP / 4 E	1	*					
34	6215 - 531 - 006 - 10	SPRING/GOVERNOR	1	*					
35	6215 - 541 - 022 - 10	LEVER/CONTROL COMP	1	*					
36	V720 - 101 - 900 - 80	O-RING/P 8	1	*					
37	6209 - 580 - 002 - 10	SPRING,RETURN	1	*					
38	6215 - 549 - 007 - 00	ARM,CONTROL	1	*					
39	6909 - 110 - 406 - 00	NUT	1	*					
40	V411 - 260 - 006 - 00	WASHER / M6	1	*					
41	6909 - 150 - 506 - 00	WASHER,SP/M6	1	*					
42	6215 - 549 - 012 - 00	SPRING,STARTING	1	*					







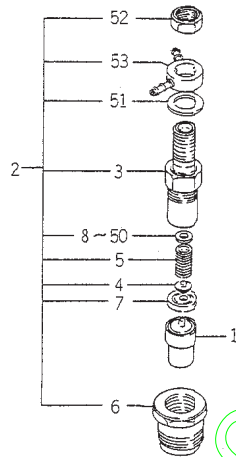
FIG. 24 6215 - 300 - 006 - 10



6215-3000

KEY	PART CODE	DESCRIPTION	QTY	TYPE OF MODEL		I T C	C O L	G R P	REMARKS
				E31008 02					
1	6215 - 311 - 019 - 00	NOZZLE ASSY	2	*					
2	6215 - 330 - 004 - 00	HOLDER,NOZZLE ASSY	2	*					
2	6215 - 331 - 002 - 00	BODY,NOZZLE HOLDER	2	*					
4	6215 - 342 - 001 - 00	PIN,NOZZLE HOLDER	2	*					
5	6215 - 343 - 001 - 00	WASHER	2	*					
6	6215 - 332 - 004 - 00	NUT,NOZZLERETAINING	2	*					
7	6215 - 339 - 001 - 00	PIECE,DISTANCE	2	*					
8	6215 - 345 - 001 - 00	WASHER	2	*					
9	6215 - 345 - 002 - 00	WASHER	2	*					
10	6215 - 345 - 003 - 00	WASHER	2	*					
11	6215 - 345 - 004 - 00	WASHER	2	*					
12	6215 - 345 - 005 - 00	WASHER	2	*					
13	6215 - 345 - 006 - 00	WASHER	2	*					
14	6215 - 345 - 007 - 00	WASHER	2	*					
15	6215 - 345 - 008 - 00	WASHER	2	*					
16	6215 - 345 - 009 - 00	WASHER	2	*					
17	6215 - 345 - 010 - 00	WASHER	2	*					
18	6215 - 345 - 011 - 00	WASHER	2	*					
19	6215 - 345 - 012 - 00	WASHER	2	*					
20	6215 - 345 - 013 - 00	WASHER	2	*					
21	6215 - 345 - 014 - 00	WASHER	2	*					
22	6215 - 345 - 015 - 00	WASHER	2	*					
23	6215 - 345 - 016 - 00	WASHER	2	*					
24	6215 - 345 - 017 - 00	WASHER	2	*					
25	6215 - 345 - 018 - 00	WASHER	2	*					

FIG. 24 6215 - 300 - 006 - 10



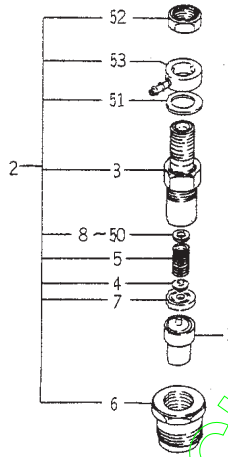
6215-300

KEY	PART CODE	DESCRIPTION	QTY	TYPE OF MODEL	I	T	C	COL	GRU	REMARKS
26	6215 - 345 - 019 - 00	WASHER	2	*						
27	6215 - 345 - 020 - 00	WASHER	2	*						
28	6215 - 345 - 021 - 00	WASHER	2	*						
29	6215 - 345 - 022 - 00	WASHER	2	*						
30	6215 - 345 - 023 - 00	WASHER	2	*						
31	6215 - 345 - 024 - 00	WASHER	2	*						
32	6215 - 345 - 025 - 00	WASHER	2	*						
33	6215 - 345 - 026 - 00	WASHER	2	*						
34	6215 - 345 - 027 - 00	WASHER	2	*						
35	6215 - 345 - 028 - 00	WASHER	2	*						
36	6215 - 345 - 029 - 00	WASHER	2	*						
37	6215 - 345 - 030 - 00	WASHER	2	*						
38	6215 - 345 - 031 - 00	WASHER	2	*						
39	6215 - 345 - 032 - 00	WASHER	2	*						
40	6215 - 345 - 033 - 00	WASHER	2	*						
41	6215 - 345 - 034 - 00	WASHER	2	*						
42	6215 - 345 - 035 - 00	WASHER	2	*						
43	6215 - 345 - 036 - 00	WASHER	2	*						
44	6215 - 345 - 037 - 00	WASHER	2	*						
45	6215 - 345 - 038 - 00	WASHER	2	*						
46	6215 - 345 - 039 - 00	WASHER	2	*						
47	6215 - 345 - 040 - 00	WASHER	2	*						
48	6215 - 345 - 041 - 00	WASHER	2	*						
49	6215 - 345 - 042 - 00	WASHER	2	*						
50	6215 - 345 - 043 - 00	WASHER	2	*						





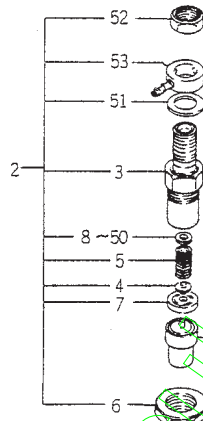
FIG. 25 6215 - 300 - 009 - 10



6215-3000

KEY	PART CODE	DESCRIPTION	QTY	TYPE OF MODEL	I	T	C	G	REMARKS
1	6215 - 311 - 019 - 00	NOZZLE ASSY	1	*					
2	6215 - 330 - 003 - 00	HOLDER,NOZZLE	1	*					
3	6215 - 331 - 001 - 00	BODY,NOZZLE HOLDER	1	*					
4	6215 - 342 - 001 - 00	PIN,NOZZLE HOLDER	1	*					
5	6215 - 343 - 001 - 00	WASHER	1	*					
6	6215 - 332 - 004 - 00	NUT,NOZZLERETAINING	1	*					
7	6215 - 339 - 001 - 00	PIECE,DISTANCE	1	*					
8	6215 - 345 - 001 - 00	WASHER	1	*					
9	6215 - 345 - 002 - 00	WASHER	1	*					
10	6215 - 345 - 003 - 00	WASHER	1	*					
11	6215 - 345 - 004 - 00	WASHER	1	*					
12	6215 - 345 - 005 - 00	WASHER	1	*					
13	6215 - 345 - 006 - 00	WASHER	1	*					
14	6215 - 345 - 007 - 00	WASHER	1	*					
15	6215 - 345 - 008 - 00	WASHER	1	*					
16	6215 - 345 - 009 - 00	WASHER	1	*					
17	6215 - 345 - 010 - 00	WASHER	1	*					
18	6215 - 345 - 011 - 00	WASHER	1	*					
19	6215 - 345 - 012 - 00	WASHER	1	*					
20	6215 - 345 - 013 - 00	WASHER	1	*					
21	6215 - 345 - 014 - 00	WASHER	1	*					
22	6215 - 345 - 015 - 00	WASHER	1	*					
23	6215 - 345 - 016 - 00	WASHER	1	*					
24	6215 - 345 - 017 - 00	WASHER	1	*					
25	6215 - 345 - 018 - 00	WASHER	1	*					

FIG. 25 6215 - 300 - 009 - 10



E31008

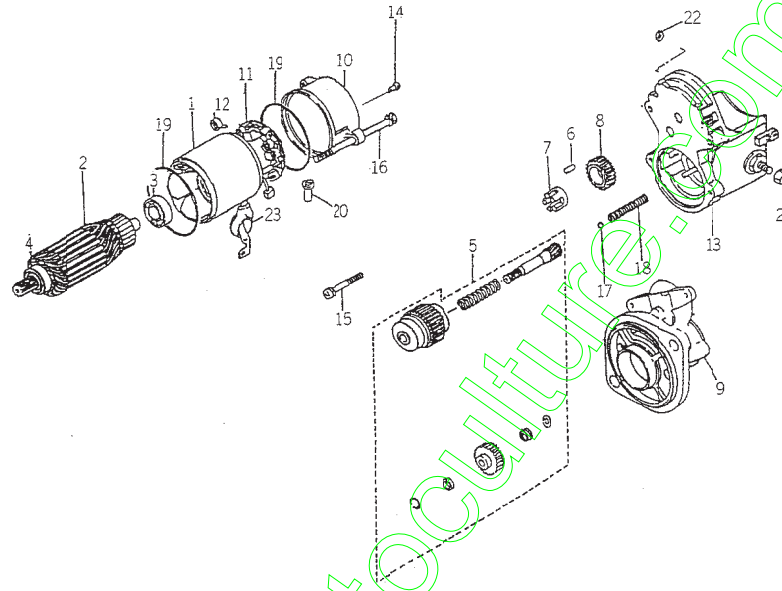
KEY	PART CODE	DESCRIPTION	QTY	TYPE OF MODEL		I	C	O	P	REMARKS
				E31008	02					
26	6215 - 345 - 019 - 00	WASHER	1	*						
27	6215 - 345 - 020 - 00	WASHER	1	*						
28	6215 - 345 - 021 - 00	WASHER	1	*						
29	6215 - 345 - 022 - 00	WASHER	1	*						
30	6215 - 345 - 023 - 00	WASHER	1	*						
31	6215 - 345 - 024 - 00	WASHER	1	*						
32	6215 - 345 - 025 - 00	WASHER	1	*						
33	6215 - 345 - 026 - 00	WASHER	1	*						
34	6215 - 345 - 027 - 00	WASHER	1	*						
35	6215 - 345 - 028 - 00	WASHER	1	*						
36	6215 - 345 - 029 - 00	WASHER	1	*						
37	6215 - 345 - 030 - 00	WASHER	1	*						
38	6215 - 345 - 031 - 00	WASHER	1	*						
39	6215 - 345 - 032 - 00	WASHER	1	*						
40	6215 - 345 - 033 - 00	WASHER	1	*						
41	6215 - 345 - 034 - 00	WASHER	1	*						
42	6215 - 345 - 035 - 00	WASHER	1	*						
43	6215 - 345 - 036 - 00	WASHER	1	*						
44	6215 - 345 - 037 - 00	WASHER	1	*						
45	6215 - 345 - 038 - 00	WASHER	1	*						
46	6215 - 345 - 039 - 00	WASHER	1	*						
47	6215 - 345 - 040 - 00	WASHER	1	*						
48	6215 - 345 - 041 - 00	WASHER	1	*						
49	6215 - 345 - 042 - 00	WASHER	1	*						
50	6215 - 345 - 043 - 00	WASHER	1	*						







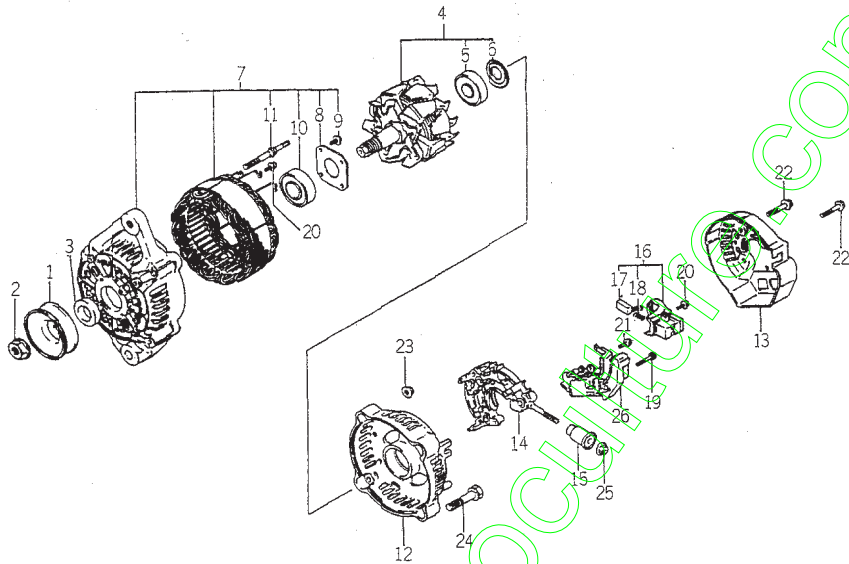
FIG. 27 6281 - 100 - 002 - 10



6281-1000

KEY	PART CODE	DESCRIPTION	QTY	TYPE OF MODEL		I T C	C O L	G R P	REMARKS
				E31008 02					
1	6281 - 111 - 005 - 00	YOKE/STARTER ASSY	1						
2	6281 - 121 - 006 - 00	ARMATURE/STARTER ASSY	1						
3	6281 - 129 - 038 - 00	BEARING	1						
4	6281 - 129 - 039 - 00	BEARING	1						
5	6281 - 124 - 007 - 00	CLUTCH/STARTER ASSY	1						
6	6581 - 129 - 099 - 00	ROTOR	5						
7	6281 - 129 - 040 - 00	RETAINER	1						
8	6281 - 123 - 005 - 00	PINION/STARTER	1						
9	6281 - 129 - 041 - 00	HOUSING/STARTER ASSY	1						
10	6281 - 115 - 008 - 00	FRAME/STARTER END	1						
11	6281 - 116 - 004 - 00	HOLDER/STARTER ASSY	1						
12	6581 - 117 - 007 - 00	SPRING,BRUSH	4						
13	6281 - 151 - 009 - 00	SWITCH/MAGNETIC ASSY	1						
14	6281 - 129 - 005 - 00	SCREW	2						
15	6281 - 129 - 042 - 00	BOLT/WS	2						
16	6281 - 129 - 043 - 00	BOLT/THROUGH	2						
17	6581 - 129 - 092 - 00	BALL	1						
18	6281 - 129 - 044 - 00	SPRING/RETURN	1						
19	6281 - 129 - 003 - 00	O - RING	2						
20	6281 - 115 - 009 - 00	BUSHING/DRAIN	1						
21	6909 - 111 - 508 - 00	NUT	1						
22	6281 - 229 - 041 - 00	NUT	1						
23	6281 - 115 - 010 - 00	COVER	1						

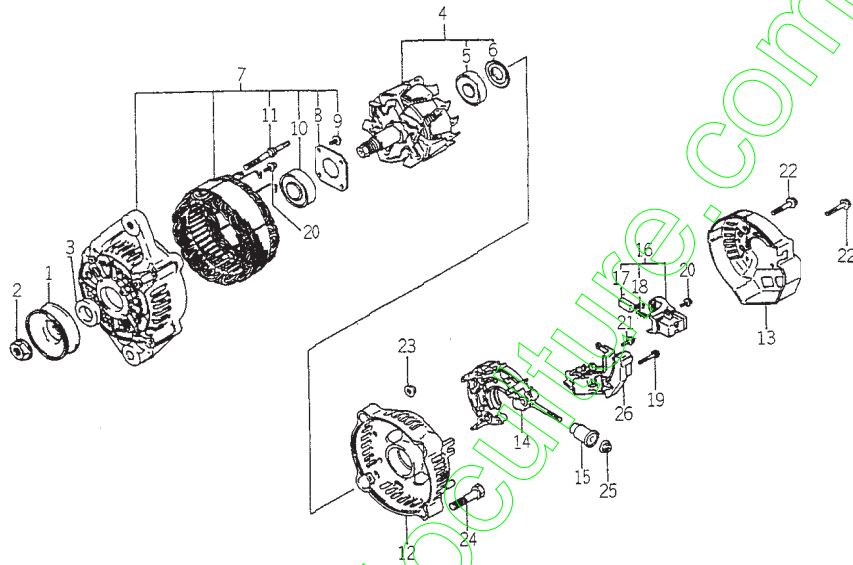
FIG. 28 6281 - 200 - 005 - 00



6281-2000

KEY	PART CODE	DESCRIPTION	QTY	TYPE OF MODEL		I T C	C O L	G R P	REMARKS
				E31008	02				
1	6281 - 222 - 004 - 00	PULLEY	1	*					
2	6281 - 229 - 002 - 00	NUT	1	*					
3	6281 - 229 - 003 - 00	COLLOR	1	*					
4	6281 - 221 - 001 - 00	ROTOR ASSY	1	*					
5	6281 - 229 - 005 - 00	BEARING	1	*					
6	6281 - 229 - 004 - 00	COVER,BEARING	1	*					
7	6281 - 213 - 008 - 00	FRAME ASSY	1	*					
8	6281 - 229 - 006 - 00	PLATE	1	*					
9	6281 - 229 - 007 - 00	BOLT	4	*					
10	6281 - 229 - 009 - 00	BEARING	1	*					
11	6281 - 229 - 008 - 00	BOLT	2	*					
12	6281 - 214 - 003 - 00	FRAME	1	*					
13	6281 - 214 - 004 - 00	COVER	1	*					
14	6281 - 229 - 029 - 00	HOLDER ASSY	1	*					
15	6281 - 229 - 011 - 00	BUSH	1	*					
16	6281 - 217 - 001 - 00	HOLDER,BRUSH ASSY	1	*					
17	6281 - 215 - 001 - 00	BRUSH	2	*					
18	6281 - 216 - 001 - 00	SPRING	2	*					
19	6281 - 229 - 012 - 00	BOLT	2	*					
20	6281 - 229 - 013 - 00	BOLT	6	*					
21	6281 - 229 - 014 - 00	BOLT	1	*					
22	6281 - 229 - 015 - 00	BOLT	3	*					
23	6281 - 229 - 016 - 00	NUT	2	*					
24	6281 - 229 - 017 - 00	BOLT	2	*					
25	6281 - 229 - 018 - 00	NUT	1	*					

FIG. 28 6281 - 200 - 005 - 00



6281-000

KEY	PART CODE	DESCRIPTION	QTY	TYPE OF MODEL		I T C	C O L	G R P	REMARKS
				E3100B 02	*				
2E	6281 - 271 - 002 - 00	REGULATOR ASSY	1		*				

www.enc-motors.com



# ENGINE

E3100 - B01...TF317FH

[www.emc-motoculture.com](http://www.emc-motoculture.com)

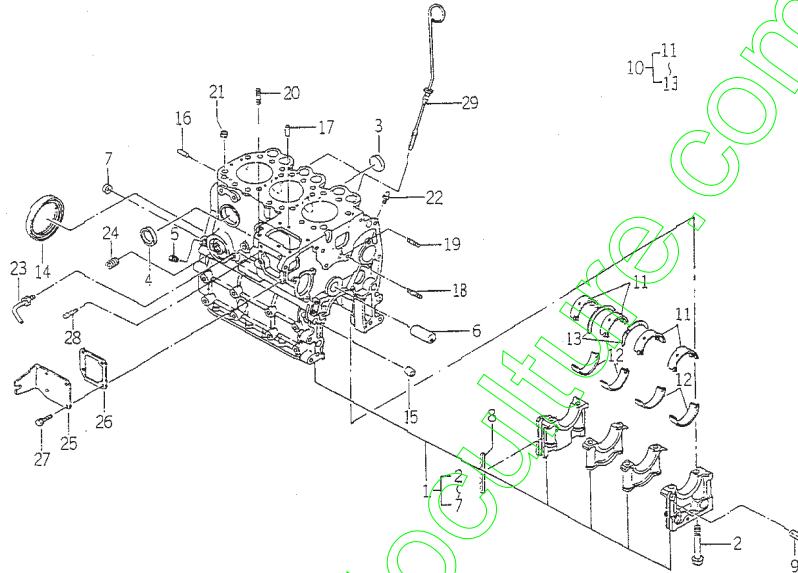








FIG. 5 CYLINDER BLOCK



9064-201X

KEY	PART CODE	DESCRIPTION	QTY	TYPE OF MODEL		I T C	C O L	G R P	REMARKS
				E31008 01					
1	6211 - 210 - 046 - 00	CYLINDERBLOCK ASSY	1	*					
2	6209 - 000 - 004 - 00	BOLT	8	*					
3	6209 - 610 - 001 - 00	CAP, SEALING	2	*					
4	6911 - 219 - 195 - 00	CAP, SEALING	4	*					
5	6509 - 605 - 019 - 10	PLUG	3	*					
6	6212 - 531 - 005 - 00	PIN, IDLE GEAR	1	*					
7	6911 - 129 - 083 - 00	CAP, SEALING	2	*					
8	6211 - 258 - 001 - 00	SEAL, BEARING CAP	4	*					
9	6211 - 258 - 002 - 00	SEAL, BEARING CAP / 7	2	*					
10	6211 - 510 - 001 - 00	METAL, CRANK SET	1	*					
11	6211 - 511 - 001 - 00	METAL, CRANK	4	*					
12	6211 - 511 - 002 - 00	METAL, CRANK	4	*					
13	6211 - 599 - 001 - 10	BEARING, THRUST CRANK	2	*					
14	6209 - 625 - 001 - 00	SEAL, OIL	1	*					
15	6209 - 749 - 001 - 10	PIN, TUBE	2	*					
16	6908 - 160 - 816 - 00	PIN	2	*					
17	6908 - 160 - 612 - 00	PIN / STRAINER	2	*					
18	6904 - 110 - 840 - 00	STUD, / M8X40	1	*					
19	6904 - 110 - 818 - 00	STUD	1	*					
20	6904 - 110 - 822 - 00	STUD	2	*					
21	6894 - 453 - 344 - 00	DOWEL	2	*					
22	6909 - 902 - 299 - 00	NIPPLE	1	*					
23	6513 - 721 - 043 - 00	PIPE, WATER DRAIN	1	*					
24	6213 - 319 - 001 - 00	CONNECTOR, OIL FILTER	1	*					
25	6211 - 291 - 013 - 00	COVER, INJECTION PUMP	1	*					



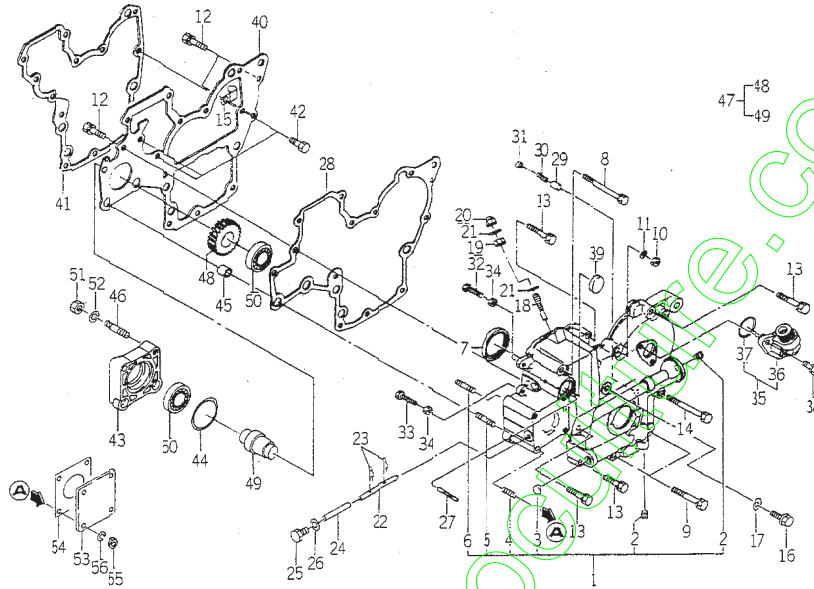








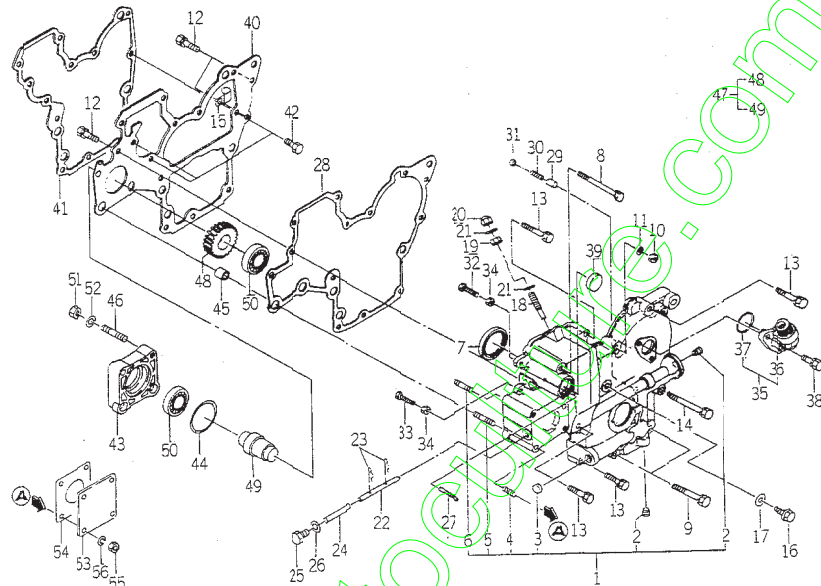
FIG. 9 TIMING GEAR CASE



6904-2409

KEY	PART CODE	DESCRIPTION	QTY	TYPE OF MODEL	I	T	C	COL	ORIG	REMARKS
1	6211-310-012-00	GEARCASE ASSY	1	*						
2	6509-605-019-10	PLUG	2	*						
3	6209-610-002-00	CUP/SEALING/14	1	*						
4	6904-110-822-00	STUD	4	*						
5	6904-110-855-00	STUD	2	*						
6	6904-110-850-00	STUD	1	*						
7	6209-625-002-00	SEAL,OIL	1	*						
8	6209-030-005-00	BOLT/M8X85	1	*						
9	6509-000-084-00	BOLT/L=55	2	*						
10	6909-110-508-00	NUT/M8	1	*						
11	6909-150-508-00	WASHER	1	*						
12	6901-910-820-00	BOLT,SEMS/M8X20	3	*						
13	6901-910-845-00	BOLT,SEMS/M8X45	5	*						
14	6209-030-006-00	BOLT/M8X75	1	*						
15	1425-621-004-00	CLAMP,HARNES	1	*						
16	6209-046-001-00	BOLT/M8X30	1	*						
17	6909-920-843-00	PACKING	1	*						
18	6215-546-003-00	STOPPER/FULLLOAD	1	*						
19	6209-409-001-00	NUT/M8	1	*						
20	V341-120-008-00	NUT,CAP/M 8	1	*						
21	6909-920-843-00	PACKING	2	*						
22	6215-542-004-20	PIN/ARM	1	*						
23	2130-601-018-00	PIN,SNAP/6	2	*						
24	6215-542-005-00	PIN	1	*						
25	6909-202-308-00	PLUG	1	*						

FIG. 9 TIMING GEAR CASE



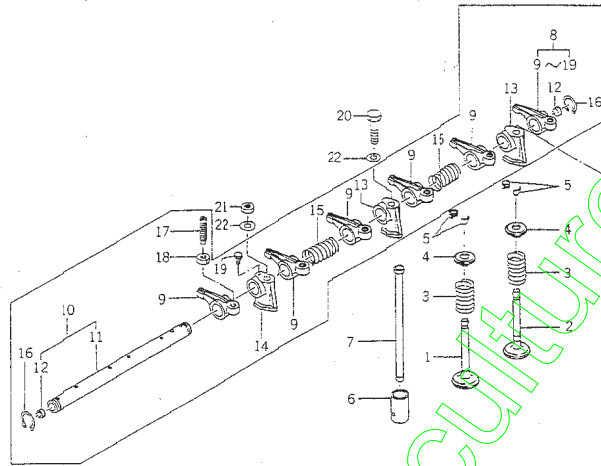
866-240D

KEY	PART CODE	DESCRIPTION	QTY	TYPE OF MODEL			I T C	C O L	G R P	REMARKS
				E3100B 01						
26	6909 - 920 - 843 - 00	PACKING	1	*						
27	6209 - 740 - 001 - 00	PIN,GROOVE	1	*						
28	6211 - 312 - 003 - 10	GASKET,GEAR CASE	1	*						
29	6213 - 161 - 001 - 00	PISTON RELIEF VALVE	1	*						
30	6213 - 164 - 001 - 00	SPRING,RELIEF VALVE	1	*						
31	6213 - 163 - 002 - 00	CAP,RELIEF VALVE	1	*						
32	6209 - 050 - 001 - 00	BOLT,M6	1	*						
33	6209 - 050 - 002 - 00	BOLT,M6	1	*						
34	6909 - 110 - 406 - 00	NUT	2	*						
35	6219 - 310 - 009 - 00	DRIVE TACHOMETER	1	*						
36	6219 - 310 - 004 - 00	DRIVE/TACHOMETER	1	*						
37	V723 - 102 - 002 - 40	RING,O	1	*						
38	6901 - 910 - 616 - 00	BOLT,SEMS,/M6X16	2	*						
39	3625 - 540 - 004 - 00	CAP,BLANK,/30	1	*						
40	6211 - 311 - 007 - 20	PLATE,FRONT	1	*						
41	6211 - 312 - 004 - 10	GASKET,PLATEASE	1	*						
42	6902 - 050 - 816 - 00	BOLT	3	*						
43	6211 - 319 - 003 - 00	SPACER	1	*						
44	V723 - 102 - 005 - 00	O - RING 1A S50	1	*						
45	6209 - 749 - 001 - 10	PIN,TUBE	2	*						
46	6904 - 110 - 822 - 00	STUD	1	*						
47	6212 - 530 - 005 - 00	SHAFT/HYDRAULIC ASSY	1	*						
48	6212 - 525 - 003 - 00	GEAR	1	*						
49	6212 - 533 - 005 - 00	SHAFT	1	*						
50	V600 - 110 - 600 - 50	BEARING,RE,/6005	2	*						





FIG. 11 VALVE



6004-901

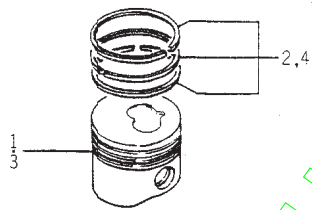
KEY	PART CODE	DESCRIPTION	QTY	TYPE OF MODEL		I T C	C O L	S P R I N G	REMARKS
				E3100B	01				
1	6212-551-001-00	VALVE,INTAKE	3	*					
2	6212-552-001-00	VALVE,EXHAUST	3	*					
3	6212-561-001-00	SPRING,VALVE	6	*					
4	6212-563-001-00	SEAT,VALVE SPRING	6	*					
5	6212-565-001-00	CUTTER,VALVE	12	*					
6	6212-571-001-00	TAPPET	6	*					
7	6212-575-002-00	ROD,PUSH	6	*					
8	6212-600-002-00	SHAFT,ROCKER ASSY	1	*					
9	6212-611-004-10	ROCKERARM	6	*					
10	6212-620-001-10	SHAFT,ROCKER ARMASSY	1	*					
11	6212-621-002-10	SHAFT,ROCKERARM	1	*					
12	6212-626-002-10	PLUG	2	*					
13	6212-628-004-00	BRACKET,ROCKER SHAFT	2	*					
14	6212-628-005-00	BRACKET,ROCKER SHAFT	1	*					
15	6209-940-004-00	SPRING	2	*					
16	V704-140-016-00	RING,SNAP/16 C	2	*					
17	6212-616-002-00	SCREW ADJUST	6	*					
18	6209-409-003-00	NUT	6	*					
19	6209-000-002-00	BOLT	1	*					
20	6901-050-850-00	BOLT/M8X45	1	*					
21	6909-110-508-00	NUT/M8	2	*					
22	6909-164-508-00	WASHER,PL/M8	3	*					







FIG. 14 PISTON/ OVER SIZE (OPTION)



6004-1453

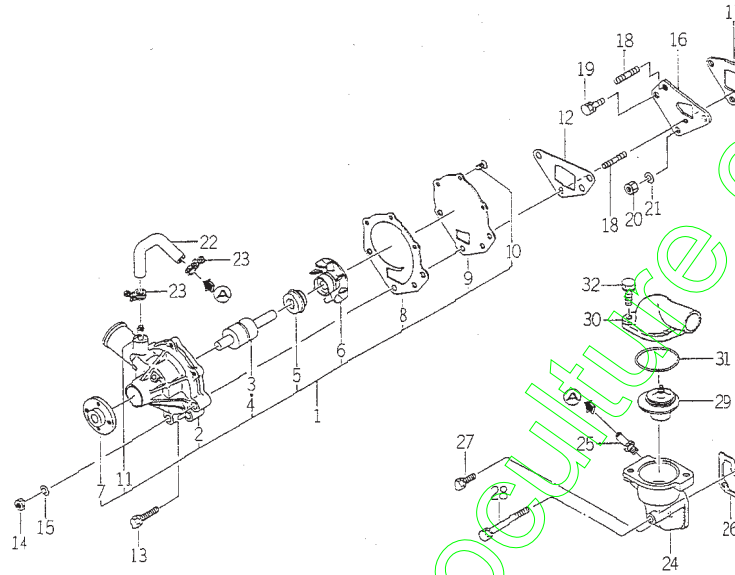
KEY	PART CODE	DESCRIPTION	QTY	TYPE OF MODEL		I T C	C O L	G R P	REMARKS
				E3100B 01					
1	6212 - 114 - 013 - 10	PISTON/OV050	3	T					
2	6212 - 124 - 008 - 00	RING (PISTON/OV50) SET	3	T					
3	6212 - 113 - 013 - 10	PISTON/OV100	3	T					
4	6212 - 125 - 008 - 00	RING (PISTON/OV) SET	3	T					

www.enclproculture.com





FIG. 17 WATER PUMP



6004-420A

KEY	PART CODE	DESCRIPTION	QTY	TYPE OF MODEL		I	C	O	L	P	REMARKS
				631008	01						
1	6213-610-005-20	WATERPUMP ASSY	1	*							
2	6213-611-003-20	BODY/WATERPUMP	1	*							
3	6213-631-002-00	BEARING/WATER PUMP	1	*							
4	6213-631-005-00	BEARING/WATERPUMP	1	*							
5	6213-622-002-00	SEAL SET/WATER PUMP	1	*							
6	6213-621-003-00	ROTOR/WATERPUMP	1	*							
7	6213-642-002-00	SEAL/WATER PUMPPULLE	1	*							
8	6213-613-002-10	GASKET	1	*							
9	6213-612-004-00	PLATE/WATER PUMP	1	*							
10	6213-619-003-00	SCREW/WATER PUMP	3	*							
11	6213-619-002-00	PIPE/WATER PUMP	1	*							
12	6213-614-003-10	GASKET/WATER PUMP	1	*							
13	6901-910-845-00	BOLT,SEMS/M8X45	1	*							
14	6909-110-508-00	NUT/M8	2	*							
15	6909-150-508-00	WASHER	2	*							
16	6213-619-001-00	SPACER,PUMP,WATER	1	*							
17	6213-614-004-10	GASKET,SPACER	1	*							
18	6904-110-840-00	STUD/M8X40	2	*							
19	6901-910-820-00	BOLT,SEMS/M8X20	1	*							
20	6909-110-508-00	NUT/M8	1	*							
21	6909-150-508-00	WASHER	1	*							
22	6213-729-001-00	HOSE,RUBBER	1	*							
23	1417-102-005-00	BAND, HOSE	2	*							
24	6213-716-001-30	HOUSING/THERMSTAT	1	*							
25	6213-721-003-00	PIPE,PUMP HOUSING	1	*							

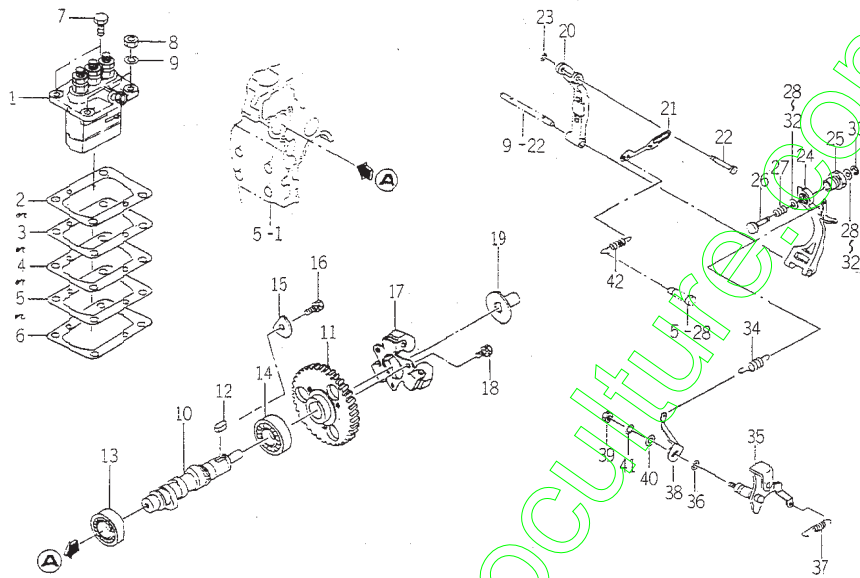








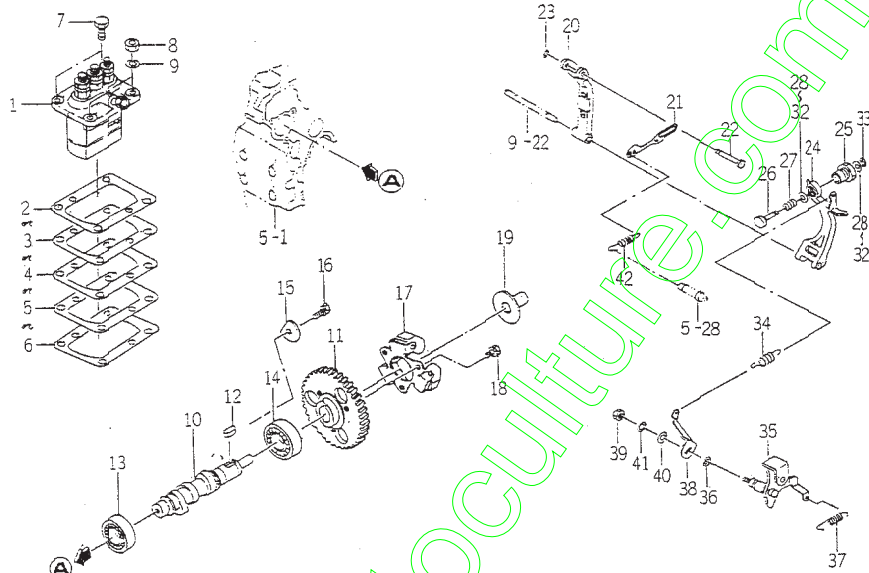
FIG. 20 INJECTION PUMP



6004-510X

KEY	PART CODE	DESCRIPTION	QTY	TYPE OF MODEL	I	C	G	REMARKS
				63700B	T	C	R	
1	6215 - 600 - 052 - 20	PUMP,INJ	1	*				FIG 026
2	6219 - 752 - 006 - 00	SHIM,/PUMP,INJ	1	*				
3	6219 - 752 - 007 - 00	SHIM,/PUMP,INJ	1	*				
4	6219 - 752 - 008 - 00	SHIM,/PUMP,INJ	1	*				
5	6219 - 752 - 009 - 00	SHIM,/PUMP,INJ	1	*				
6	6219 - 752 - 010 - 00	SHIM,/PUMP,INJ	1	*				
7	6902 - 050 - 820 - 00	BOLT	2	*				
8	6909 - 110 - 508 - 00	NUT/M8	2	*				
9	6909 - 150 - 508 - 00	WASHER	2	*				
10	6215 - 621 - 002 - 30	SHAFT,CAM /INJ.PUMP	1	*				
11	6212 - 524 - 002 - 00	GEAR,INJ PUMP	1	*				
12	6908 - 000 - 716 - 00	KEY	1	*				
13	V600 - 110 - 620 - 30	BEARING,RB/6203	1	*				
14	V600 - 110 - 600 - 40	BEARING,RB/6004	1	*				
15	6212 - 535 - 002 - 00	PLATE,THRUST INJPUMP	1	*				
16	6901 - 910 - 612 - 00	BOLT,SEMS /M6X12	1	*				
17	6215 - 520 - 001 - 00	FLYWEIGHT	1	*				
18	6209 - 030 - 043 - 00	BOLT /M6X10	3	*				
19	6215 - 626 - 001 - 10	PIECE,THRUST	1	*				
20	6215 - 541 - 001 - 00	ARM,FLOATING	1	*				
21	6215 - 543 - 002 - 10	RINK /CONTROL	1	*				
22	6215 - 542 - 006 - 00	PIN,CONTROL	1	*				
23	V710 - 140 - 004 - 00	RING,SNAP / 4 E	1	*				
24	6215 - 541 - 016 - 10	ARM, TENSION	1	*				
25	6215 - 649 - 028 - 00	CASE /ADAPTER	1	*				

FIG. 20 INJECTION PUMP

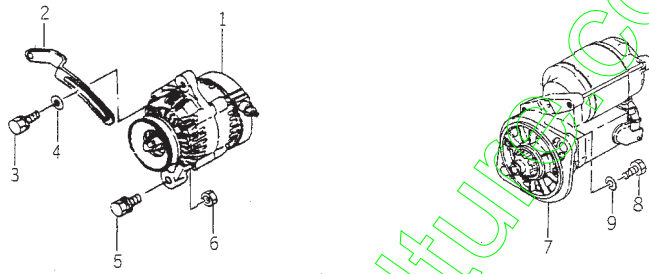


6004-9187

KEY	PART CODE	DESCRIPTION	QTY	TYPE OF MODEL		I T C	C O L	G R P	REMARKS
				E31008 01					
26	6215 - 549 - 027 - 10	PIN/ADAPTER	1	*					
27	6215 - 549 - 005 - 10	SPRING ADAPTER	1	*					
28	6215 - 549 - 006 - 00	SHIM,ADAPTER	2	*					
29	6215 - 549 - 009 - 00	SHIM,ADAPTER	2	*					
30	6215 - 549 - 010 - 00	SHIM,ADAPTER	2	*					
31	6215 - 549 - 023 - 00	SHIM/ADAPTER	1	*					
32	6215 - 549 - 024 - 00	SHIM/ADAPTER	1	*					
33	V710 - 140 - 004 - 00	RING,SNAP / 4 E	1	*					
34	6215 - 531 - 006 - 10	SPRING / GOVERNOR	1	*					
35	6215 - 541 - 022 - 10	LEVER / CONTROL COMP	1	*					
36	V720 - 101 - 900 - 80	O - RING / P 8	1	*					
37	6209 - 580 - 002 - 10	SPRING,RETURN	1	*					
38	6215 - 549 - 007 - 00	ARM,CONTROL	1	*					
39	6909 - 110 - 406 - 00	NUT	1	*					
40	V411 - 260 - 006 - 00	WASHER / M6	1	*					
41	6909 - 159 - 506 - 00	WASHER,SP/M6	1	*					
42	6215 - 549 - 012 - 00	SPRING,STARTNG	1	*					



FIG. 22 ELECTRIC (1)



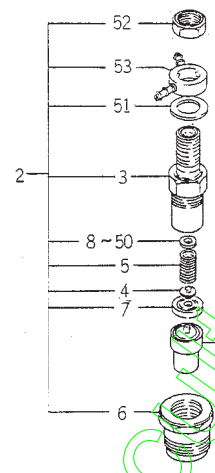
6024-803E

KEY	PART CODE	DESCRIPTION	QTY	TYPE OF MODEL		I	C	G	REMARKS
				E31008	01				
1	6281 - 200 - 005 - 00	GENERATOR ASSY	1	*					FIG 028
2	6213 - 674 - 006 - 10	PLATE/ADJUST	1	*					
3	6901 - 910 - 820 - 00	BOLT,SEMS 1/8X20	1	*					
4	1373 - 121 - 001 - 00	WASHER 9X22X2	1	*					
5	6209 - 031 - 083 - 00	BOLT/WSP	1	*					
6	6909 - 110 - 410 - 00	NUT/M10	1	*					
7	6281 - 100 - 002 - 10	STARTER ASSY	1	*					FIG 027
8	V201 - 361 - 207 - 00	BOLT/M12X70	2	*					
9	V401 - 160 - 012 - 00	WASHER,SP/M12	2	*					

www.enmotoculturas.com



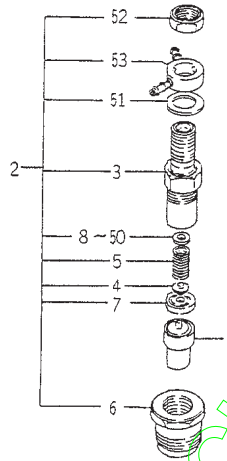
FIG. 24 6215 - 300 - 006 - 10



6215-006

KEY	PART CODE	DESCRIPTION	QTY	TYPE OF MODEL		I T C	C O L	G R P	REMARKS
				631008 01					
1	6215 - 311 - 019 - 00	NOZZLE ASSY	2	*					
2	6215 - 330 - 004 - 00	HOLDER,NOZZLE ASSY	2	*					
3	6215 - 331 - 002 - 00	BODY,NOZZLE HOLDER	2	*					
4	6215 - 342 - 001 - 00	PIN,NOZZLE HOLDER	2	*					
5	6215 - 343 - 001 - 00	WASHER	2	*					
6	6215 - 332 - 004 - 00	NUT,NOZZLERETAINING	2	*					
7	6215 - 339 - 001 - 00	PIECE/DISTANCE	2	*					
8	6215 - 345 - 001 - 00	WASHER	2	*					
9	6215 - 345 - 002 - 00	WASHER	2	*					
10	6215 - 345 - 003 - 00	WASHER	2	*					
11	6215 - 345 - 004 - 00	WASHER	2	*					
12	6215 - 345 - 005 - 00	WASHER	2	*					
13	6215 - 345 - 006 - 00	WASHER	2	*					
14	6215 - 345 - 007 - 00	WASHER	2	*					
15	6215 - 345 - 008 - 00	WASHER	2	*					
16	6215 - 345 - 009 - 00	WASHER	2	*					
17	6215 - 345 - 010 - 00	WASHER	2	*					
18	6215 - 345 - 011 - 00	WASHER	2	*					
19	6215 - 345 - 012 - 00	WASHER	2	*					
20	6215 - 345 - 013 - 00	WASHER	2	*					
21	6215 - 345 - 014 - 00	WASHER	2	*					
22	6215 - 345 - 015 - 00	WASHER	2	*					
23	6215 - 345 - 016 - 00	WASHER	2	*					
24	6215 - 345 - 017 - 00	WASHER	2	*					
25	6215 - 345 - 018 - 00	WASHER	2	*					

FIG. 24 6215 - 300 - 006 - 10



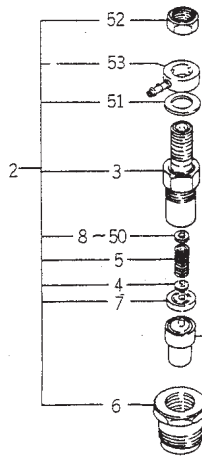
6215-3000

KEY	PART CODE	DESCRIPTION	QTY	TYPE OF MODEL	COL	GRP	REMARKS
26	6215 - 345 - 019 - 00	WASHER	2	*			
27	6215 - 345 - 020 - 00	WASHER	2	*			
28	6215 - 345 - 021 - 00	WASHER	2	*			
29	6215 - 345 - 022 - 00	WASHER	2	*			
30	6215 - 345 - 023 - 00	WASHER	2	*			
31	6215 - 345 - 024 - 00	WASHER	2	*			
32	6215 - 345 - 025 - 00	WASHER	2	*			
33	6215 - 345 - 026 - 00	WASHER	2	*			
34	6215 - 345 - 027 - 00	WASHER	2	*			
35	6215 - 345 - 028 - 00	WASHER	2	*			
36	6215 - 345 - 029 - 00	WASHER	2	*			
37	6215 - 345 - 030 - 00	WASHER	2	*			
38	6215 - 345 - 031 - 00	WASHER	2	*			
39	6215 - 345 - 032 - 00	WASHER	2	*			
40	6215 - 345 - 033 - 00	WASHER	2	*			
41	6215 - 345 - 034 - 00	WASHER	2	*			
42	6215 - 345 - 035 - 00	WASHER	2	*			
43	6215 - 345 - 036 - 00	WASHER	2	*			
44	6215 - 345 - 037 - 00	WASHER	2	*			
45	6215 - 345 - 038 - 00	WASHER	2	*			
46	6215 - 345 - 039 - 00	WASHER	2	*			
47	6215 - 345 - 040 - 00	WASHER	2	*			
48	6215 - 345 - 041 - 00	WASHER	2	*			
49	6215 - 345 - 042 - 00	WASHER	2	*			
50	6215 - 345 - 043 - 00	WASHER	2	*			





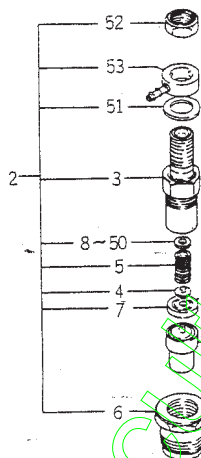
FIG. 25 6215 - 300 - 009 - 10



6215-300

KEY	PART CODE	DESCRIPTION	QTY	TYPE OF MODEL	I	T	C	COL	ORL	REMARKS
1	6215 - 311 - 019 - 00	NOZZLE ASSY	1	*						
2	6215 - 330 - 003 - 00	HOLDER NOZZLE	1	*						
3	6215 - 331 - 001 - 00	BODY, NOZZLE HOLDER	1	*						
4	6215 - 342 - 001 - 00	PIN, NOZZLE HOLDER	1	*						
5	6215 - 343 - 001 - 00	WASHER	1	*						
6	6215 - 332 - 004 - 00	NUT / NOZZLE RETAINING	1	*						
7	6215 - 339 - 001 - 00	PIECE, DISTANCE	1	*						
8	6215 - 345 - 001 - 00	WASHER	1	*						
9	6215 - 345 - 002 - 00	WASHER	1	*						
10	6215 - 345 - 003 - 00	WASHER	1	*						
11	6215 - 345 - 004 - 00	WASHER	1	*						
12	6215 - 345 - 005 - 00	WASHER	1	*						
13	6215 - 345 - 006 - 00	WASHER	1	*						
14	6215 - 345 - 007 - 00	WASHER	1	*						
15	6215 - 345 - 008 - 00	WASHER	1	*						
16	6215 - 345 - 009 - 00	WASHER	1	*						
17	6215 - 345 - 010 - 00	WASHER	1	*						
18	6215 - 345 - 011 - 00	WASHER	1	*						
19	6215 - 345 - 012 - 00	WASHER	1	*						
20	6215 - 345 - 013 - 00	WASHER	1	*						
21	6215 - 345 - 014 - 00	WASHER	1	*						
22	6215 - 345 - 015 - 00	WASHER	1	*						
23	6215 - 345 - 016 - 00	WASHER	1	*						
24	6215 - 345 - 017 - 00	WASHER	1	*						
25	6215 - 345 - 018 - 00	WASHER	1	*						

FIG. 25 6215 - 300 - 009 - 10

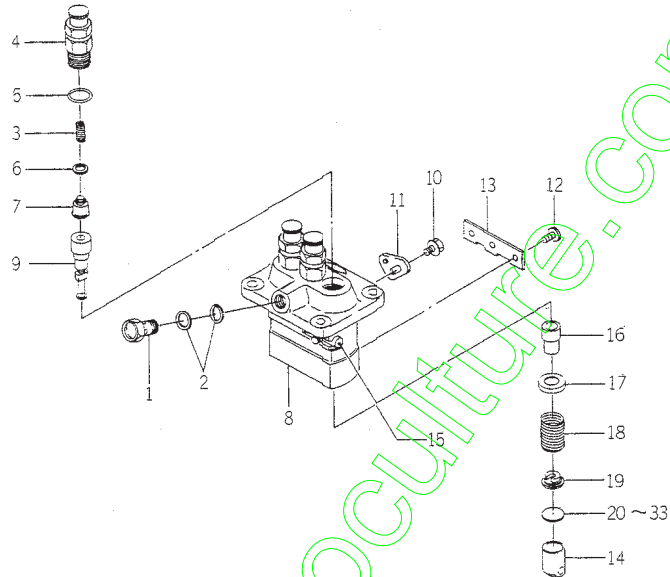


6215-3000

KEY	PART CODE	DESCRIPTION	QTY	TYPE OF MODEL		I T C	C O L	G R P	REMARKS
				631008 01					
26	6215 - 345 - 019 - 00	WASHER	1	*					
27	6215 - 345 - 020 - 00	WASHER	1	*					
28	6215 - 345 - 021 - 00	WASHER	1	*					
29	6215 - 345 - 022 - 00	WASHER	1	*					
30	6215 - 345 - 023 - 00	WASHER	1	*					
31	6215 - 345 - 024 - 00	WASHER	1	*					
32	6215 - 345 - 025 - 00	WASHER	1	*					
33	6215 - 345 - 026 - 00	WASHER	1	*					
34	6215 - 345 - 027 - 00	WASHER	1	*					
35	6215 - 345 - 028 - 00	WASHER	1	*					
36	6215 - 345 - 029 - 00	WASHER	1	*					
37	6215 - 345 - 030 - 00	WASHER	1	*					
38	6215 - 345 - 031 - 00	WASHER	1	*					
39	6215 - 345 - 032 - 00	WASHER	1	*					
40	6215 - 345 - 033 - 00	WASHER	1	*					
41	6215 - 345 - 034 - 00	WASHER	1	*					
42	6215 - 345 - 035 - 00	WASHER	1	*					
43	6215 - 345 - 036 - 00	WASHER	1	*					
44	6215 - 345 - 037 - 00	WASHER	1	*					
45	6215 - 345 - 038 - 00	WASHER	1	*					
46	6215 - 345 - 039 - 00	WASHER	1	*					
47	6215 - 345 - 040 - 00	WASHER	1	*					
48	6215 - 345 - 041 - 00	WASHER	1	*					
49	6215 - 345 - 042 - 00	WASHER	1	*					
50	6215 - 345 - 043 - 00	WASHER	1	*					



FIG. 26 6215 - 600 - 052 - 20

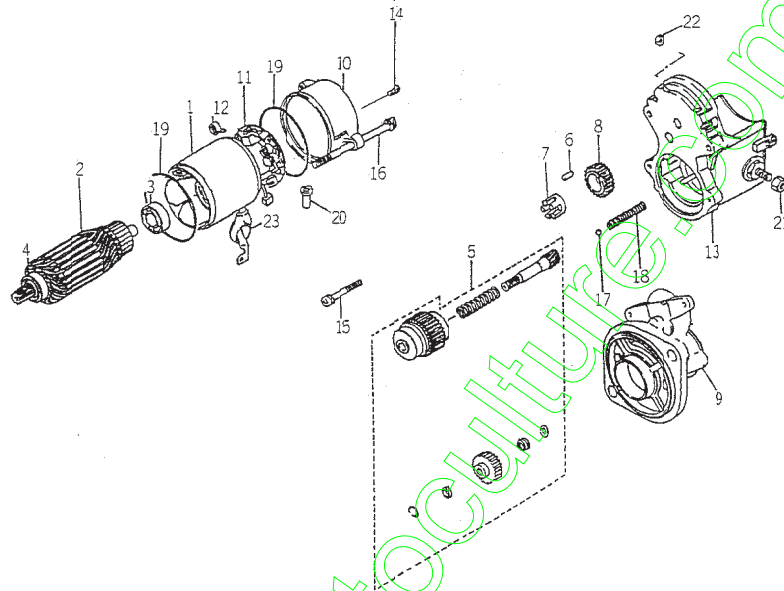


6215-6000

KEY	PART CODE	DESCRIPTION	QTY	TYPE OF MODEL		I	C	G	P	REMARKS
				E31008 01						
1	6215 - 619 - 009 - 00	SCREW/HOLLOW	1	*						
2	6215 - 619 - 010 - 00	WASHER/AIR BLEEDER	2	*						
3	6215 - 643 - 001 - 00	SPRING/DELIVERYVALVE	3	*						
4	6215 - 644 - 001 - 00	HOLDER/DELIVERYVALVE	3	*						
5	6215 - 649 - 001 - 00	ORING	3	*						
6	6215 - 649 - 002 - 00	GASKET/DELIVERYVALVE	3	*						
7	6215 - 641 - 001 - 00	VALVE ASSY	3	*						
8	6215 - 611 - 001 - 00	HOUSING ASSY	1	*						
9	6215 - 631 - 001 - 00	ELEMENT ASSY	3	*						
10	6215 - 619 - 022 - 00	BOLT/WASHERHEAD	2	*						
11	6215 - 612 - 001 - 00	PLATE/ADJUSTING	2	*						
12	6215 - 629 - 001 - 00	PIN/INJECTIONPUMP	3	*						
13	6215 - 629 - 002 - 00	PLATE	1	*						
14	6215 - 622 - 001 - 00	TAPPET/INJECTIO ASSY	3	*						
15	6215 - 637 - 001 - 00	RACK/CONTROL ASSY	1	*						
16	6215 - 635 - 001 - 00	SLEEVE/PLUNGER	3	*						
17	6215 - 639 - 004 - 00	SEAT/SPRING/UPPER	3	*						
18	6215 - 634 - 001 - 00	SPRING/PUMPPLUNGER	3	*						
19	6215 - 639 - 005 - 00	SEAT/SPRING/LOWER	3	*						
20	6215 - 629 - 003 - 00	PLATE/TAPPET/ADJUST	1	*						
21	6215 - 629 - 004 - 00	PLATE/TAPPET/ADJUST	1	*						
22	6215 - 629 - 005 - 00	PLATE/TAPPET/ADJUST	1	*						
23	6215 - 629 - 006 - 00	PLATE/TAPPET/ADJUST	1	*						
24	6215 - 629 - 007 - 00	PLATE/TAPPET/ADJUST	1	*						
25	6215 - 629 - 008 - 00	PLATE/TAPPET/ADJUST	1	*						



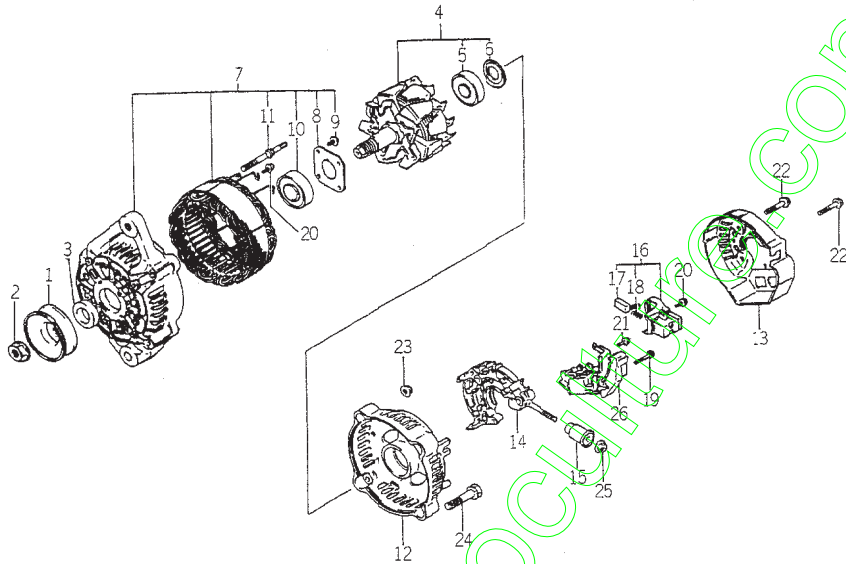
FIG. 27 6281 - 100 - 002 - 10



6281-1000

KEY	PART CODE	DESCRIPTION	QTY	TYPE OF MODEL		I T C	C O L	G R P	REMARKS
				E31008 01					
1	6281 - 111 - 005 - 00	YOKE/STARTER ASSY	1	*					
2	6281 - 121 - 006 - 00	ARMATURE/STARTER ASSY	1	*					
3	6281 - 129 - 038 - 00	BEARING	1	*					
4	6281 - 129 - 039 - 00	BEARING	1	*					
5	6281 - 124 - 007 - 00	CLUTCH/STARTER ASSY	1	*					
6	6581 - 129 - 099 - 00	ROSA	5	*					
7	6281 - 129 - 040 - 00	RETAINER	1	*					
8	6281 - 123 - 005 - 00	PINION/STARTER	1	*					
9	6281 - 129 - 041 - 00	HOUSING/STARTER ASSY	1	*					
10	6281 - 115 - 008 - 00	FRAME/STARTEREND	1	*					
11	6281 - 116 - 004 - 00	HOLDER/STARTER ASSY	1	*					
12	6581 - 117 - 007 - 00	SPRING,BRUSH	4	*					
13	6281 - 151 - 009 - 00	SWITCH/MAGNETIC ASSY	1	*					
14	6281 - 129 - 005 - 00	SCREW	2	*					
15	6281 - 129 - 042 - 00	BOLT/WS	2	*					
16	6281 - 129 - 043 - 00	BOLT/THROUGH	2	*					
17	6581 - 129 - 092 - 00	BALL	1	*					
18	6281 - 129 - 044 - 00	SPRING/RETURN	1	*					
19	6281 - 129 - 003 - 00	O - RING	2	*					
20	6281 - 115 - 009 - 00	BUSHING/DRAIN	1	*					
21	6909 - 111 - 508 - 00	NUT	1	*					
22	6281 - 229 - 041 - 00	NUT	1	*					
23	6281 - 115 - 010 - 00	COVER	1	*					

FIG. 28 6281 - 200 - 005 - 00



6281-200

KEY	PART CODE	DESCRIPTION	QTY	TYPE OF MODEL			I T C	C O L	O P D	REMARKS
				EST	1008	01				
1	6281 - 222 - 004 - 00	PULLEY	1	*						
2	6281 - 229 - 002 - 00	NUT	1	*						
3	6281 - 229 - 003 - 00	COLLOR	1	*						
4	6281 - 221 - 001 - 00	ROTOR ASSY	1	*						
5	6281 - 229 - 005 - 00	BEARING	1	*						
6	6281 - 229 - 004 - 00	COVER,BEARING	1	*						
7	6281 - 213 - 006 - 00	FRAME ASSY	1	*						
8	6281 - 229 - 006 - 00	PLATE	1	*						
9	6281 - 229 - 007 - 00	BOLT	4	*						
10	6281 - 229 - 009 - 00	BEARING	1	*						
11	6281 - 229 - 008 - 00	BOLT	2	*						
12	6281 - 214 - 003 - 00	FRAME	1	*						
13	6281 - 214 - 004 - 00	COVER	1	*						
14	6281 - 229 - 029 - 00	HOLDER ASSY	1	*						
15	6281 - 229 - 011 - 00	BUSH	1	*						
16	6281 - 217 - 001 - 00	HOLDER,BRUSH ASSY	1	*						
17	6281 - 215 - 001 - 00	BRUSH	2	*						
18	6281 - 216 - 001 - 00	SPRING	2	*						
19	6281 - 229 - 012 - 00	BOLT	2	*						
20	6281 - 229 - 013 - 00	BOLT	6	*						
21	6281 - 229 - 014 - 00	BOLT	1	*						
22	6281 - 229 - 015 - 00	BOLT	3	*						
23	6281 - 229 - 016 - 00	NUT	2	*						
24	6281 - 229 - 017 - 00	BOLT	2	*						
25	6281 - 229 - 018 - 00	NUT	1	*						





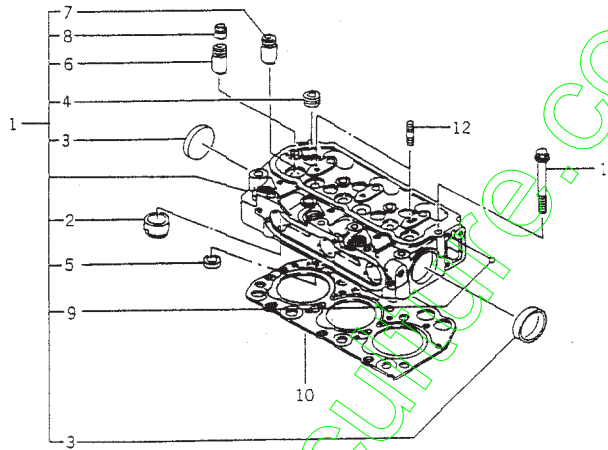
# ENGINE

E3112-B01...TF321F

[www.emc-motoculture.com](http://www.emc-motoculture.com)

6004-097-160-00

FIG. 1 CYLINDER HEAD

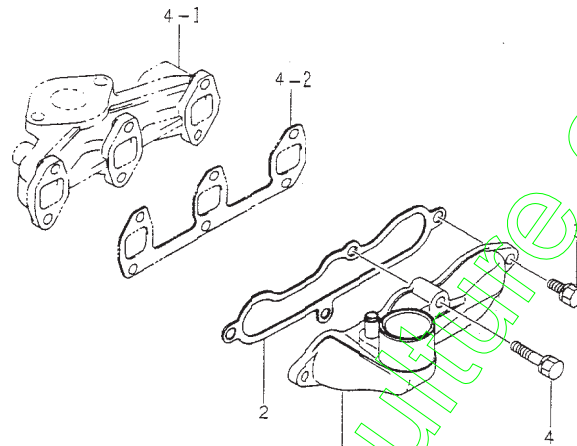


6204-011

KEY	PART CODE	DESCRIPTION	QTY	TYPE OF MODEL		I	C	COL	P	REMARKS
				E3112B	01					
1	6211 - 110 - 046 - 00	CYLINDERHEAD ASSY	1	*						
2	6211 - 150 - 021 - 00	HOTPLUG ASSY	3	*						
3	6911 - 129 - 006 - 00	CAP, SEALING	2	*						
4	6209 - 605 - 004 - 00	PLUG, RT 1/2	5	*						
5	6211 - 715 - 002 - 00	SEAT, VALVE	3	*						
6	6211 - 721 - 001 - 00	BULBE GUIDE	3	*						
7	6211 - 721 - 002 - 00	GUIDE, VALVE	3	*						
8	6212 - 569 - 002 - 00	SEAL OIL	6	*						
9	V681 - 200 - 000 - 60	BALL STEEL	1	*						
10	6211 - 141 - 029 - 10	GASKET / CYLINDERHEAD	1	*						
11	6209 - 000 - 003 - 00	BOLT / M10X1.25X82	14	*						
12	6909 - 830 - 212 - 00	STUD, HEAD COVER	2	*						



FIG. 3 INLET MANIFOLD



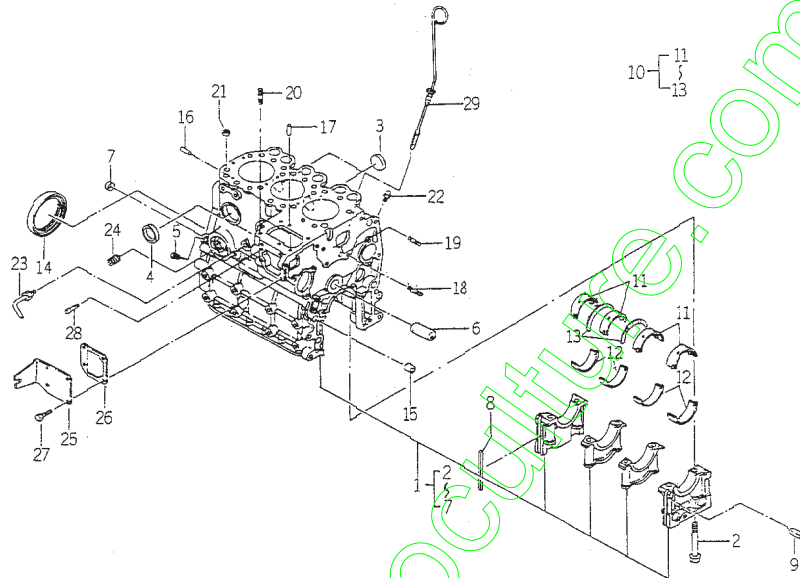
6003-1200

KEY	PART CODE	DESCRIPTION	QTY	TYPE OF MODEL		I T C	C O L	G R P	REMARKS
				E31126 Q1	*				
1	6214-111-011-20	MANIFOLD (INLET) ASSY	1	*					
2	6214-115-001-20	GASKET, INLET MANIFOLD	1	*					
3	6901-910-820-00	BOLT, SEMS. M8X20	3	*					
4	6901-910-840-00	BOLT	1	*					

www.enic-motoculture.com



FIG. 5 CYLINDER BLOCK



6004-1018

KEY	PART CODE	DESCRIPTION	QTY	TYPE OF MODEL			REMARKS
				E3112B 01	I T C	C O L	
1	6211 - 210 - 037 - 10	CYLINDERBLOCK ASSY	1	*			
2	6209 - 000 - 004 - 00	BOLT	8	*			
3	6209 - 610 - 001 - 00	CAP,SEALING	2	*			
4	6911 - 219 - 195 - 00	CAP,SEALING	4	*			
5	6509 - 605 - 019 - 10	PLUG	3	*			
6	6212 - 531 - 005 - 00	PIN,IDLE GEAR	1	*			
7	6911 - 129 - 083 - 00	CAP,SEALING	2	*			
8	6211 - 258 - 001 - 00	SEAL, BEARING CAP	4	*			
9	6211 - 258 - 002 - 00	SEAL, BEARING CAP /7	2	*			
10	6211 - 510 - 001 - 00	METAL, CRANK SET	1	*			
11	6211 - 511 - 001 - 00	METAL, CRANK	4	*			
12	6211 - 511 - 002 - 00	METAL, CRANK	4	*			
13	6211 - 599 - 001 - 10	BEARING, THRUST CRANK	2	*			
14	6209 - 625 - 001 - 00	SEAL, OIL	1	*			
15	6209 - 749 - 001 - 10	PIN, TUBE	2	*			
16	6908 - 160 - 816 - 00	PIN	2	*			
17	6908 - 160 - 612 - 00	PIN, /STRIANER	2	*			
18	6904 - 110 - 840 - 00	STUD, /M8X40	1	*			
19	6904 - 110 - 818 - 00	STUD	1	*			
20	6904 - 110 - 822 - 00	STUD	2	*			
21	6894 - 453 - 344 - 00	DOWEL	2	*			
22	6909 - 902 - 299 - 00	NIPPLE	1	*			
23	6513 - 721 - 043 - 00	PIPE, WATER DRAIN	1	*			
24	6213 - 319 - 001 - 00	CONNECTOR, OIL FILTER	1	*			
25	6211 - 291 - 013 - 00	COVER, /INJECTION PUMP	1	*			



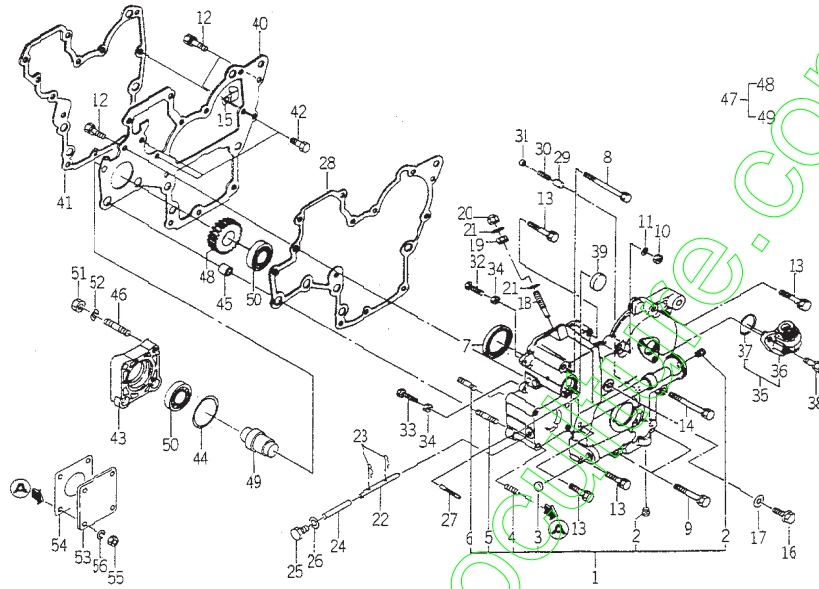








FIG. 9 TIMING GEAR CASE



6004-240

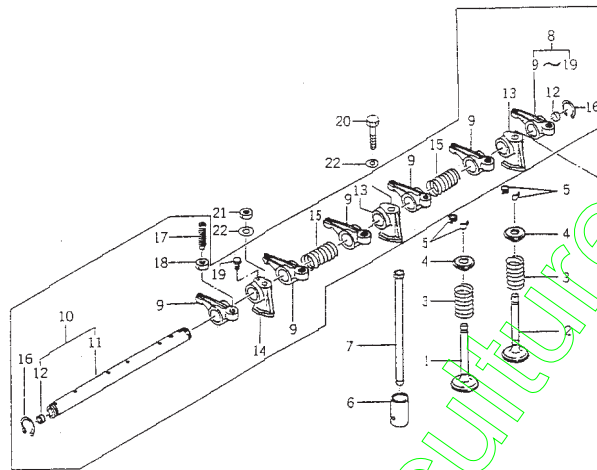
KEY	PART CODE	DESCRIPTION	QTY	TYPE OF MODEL			REMARKS
				6311728	I T C	C O L	
1	6211-310-012-00	GEARCASE ASSY	1	*			
2	6509-605-019-10	PLUG	2	*			
3	6209-610-002-00	CUP/SEALING/14	1	*			
4	6904-110-822-00	STUD	4	*			
5	6904-110-855-00	STUD	2	*			
6	6904-110-850-00	STUD	1	*			
7	6209-625-002-00	SEAL,OIL	1	*			
8	6209-030-005-00	BOLT/M8X85	1	*			
9	6509-000-084-00	BOLT/L=55	2	*			
10	6909-110-508-00	NUT/M8	1	*			
11	6909-150-508-00	WASHER	1	*			
12	6901-910-820-00	BOLT,SEMS/M8X20	3	*			
13	6901-910-845-00	BOLT,SEMS/M8X45	5	*			
14	6209-030-006-00	BOLT/M8X75	1	*			
15	1425-621-004-00	CLAMP,HARNESS	1	*			
16	6209-046-001-00	BOLT/M8X30	1	*			
17	6909-920-848-00	PACKING	1	*			
18	6215-546-003-00	STOPPER/FULLLOAD	1	*			
19	6209-489-001-00	NUT/M8	1	*			
20	V341-120-008-00	NUT,CAP/M 8	1	*			
21	6909-920-843-00	PACKING	2	*			
22	6215-542-004-20	PIN/ARM	1	*			
23	2136-601-018-00	PIN,SNAP/6	2	*			
24	6215-542-005-00	PIN	1	*			
25	6909-202-308-00	PLUG	1	*			







FIG. 11 VALVE



KEY	PART CODE	DESCRIPTION	QTY	TYPE OF MODEL			REMARKS
				31124	I T C	C O L	
1	6212-551-001-00	VALVE,INTAKE	3	*			
2	6212-552-001-00	VALVE,EXHAUST	3	*			
3	6212-561-001-00	SPRING,VALVE	6	*			
4	6212-563-001-00	SEAT,VALVE SPRING	6	*			
5	6212-565-001-00	CUTTER,VALVE	12	*			
6	6212-571-001-00	TAPPET	6	*			
7	6212-575-002-00	ROD,PUSH	6	*			
8	6212-600-002-00	SHAFT,ROCKER ASSY	1	*			
9	6212-611-004-10	ROCKERARM	6	*			
10	6212-620-001-10	SHAFT,ROCKER ARM ASSY	1	*			
11	6212-621-002-10	SHAFT/ROCKERARM	1	*			
12	6212-626-002-10	PLUG	2	*			
13	6212-628-004-00	BRACKET,ROCKER SHAFT	2	*			
14	6212-628-005-00	BRACKET,ROCKER SHAFT	1	*			
15	6209-940-004-00	SPRING	2	*			
16	V704-140-016-00	RING,SNAP/16 C	2	*			
17	6212-616-002-00	SCREW ADJUST	6	*			
18	6209-409-003-00	NUT	6	*			
19	6209-006-002-00	BOLT	1	*			
20	6901-050-850-00	BOLT/M8X45	1	*			
21	6909-110-508-00	NUT/M8	2	*			
22	6909-164-508-00	WASHER,PL/M8	3	*			



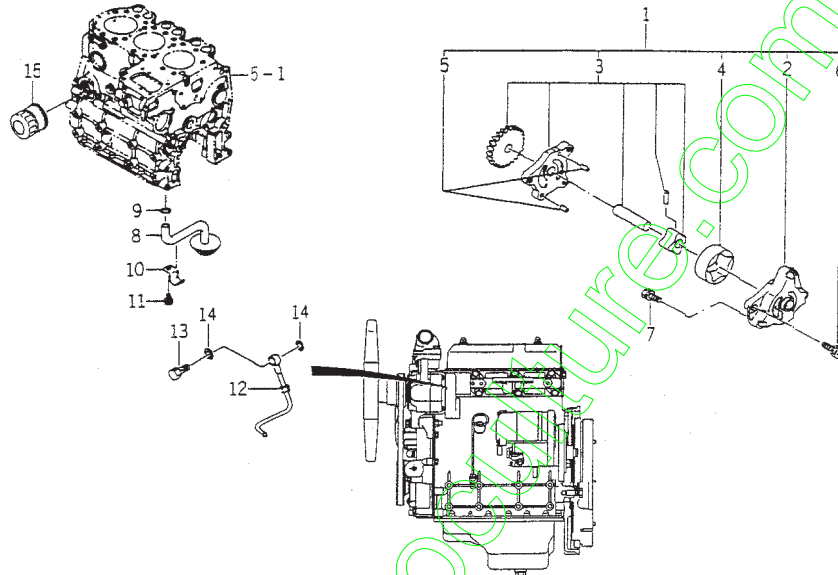








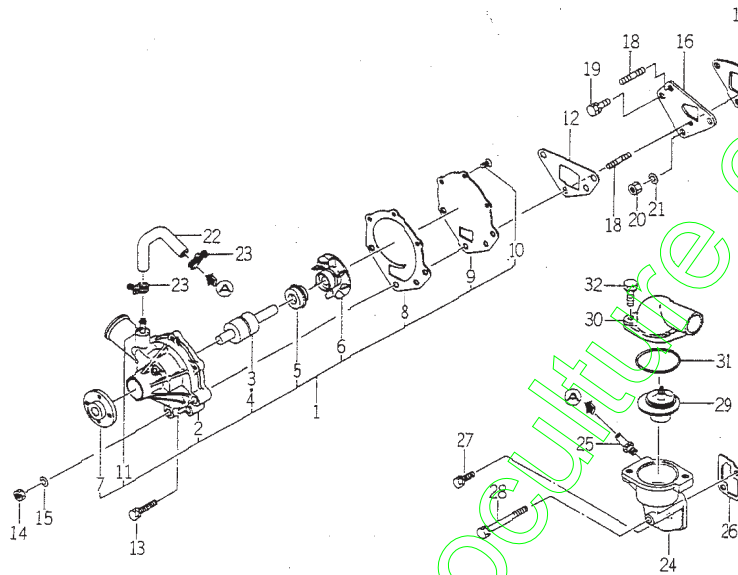
FIG. 16 OIL PUMP



600-4816

KEY	PART CODE	DESCRIPTION	QTY	TYPE OF MODEL		I T C	C O L	G R P	REMARKS
				E31126	01				
1	6213-100-003-20	PUMP,OIL ASSY	1	*					
2	6213-111-001-20	BODY,OILPUMP	1	*					
3	6213-120-003-00	GEAR,OILPUMP ASSY	1	*					
4	6213-125-001-00	ROTOR,OUTER	1	*					
5	6908-160-408-00	PIN,STRAIGHT	2	*					
6	6209-009-001-00	BOLT,WS	3	*					
7	6901-910-625-00	BOLT	3	*					
8	6213-140-008-00	STRAINER	1	*					
9	V720-102-401-50	O-RING,P15	1	*					
10	6213-149-002-00	CLAMP,STRAINER	1	*					
11	6901-910-816-00	BOLT,SEMS/MBX16	1	*					
12	6213-311-006-00	PIPE,OIL	1	*					
13	6909-906-105-10	BOLT,JOINT	1	*					
14	6909-920-843-00	PACKING	2	*					
15	6213-240-002-00	CARTRIDGE,OIL FILTER	1	*					

FIG. 17 WATER PUMP



6994-4261

KEY	PART CODE	DESCRIPTION	QTY	TYPE OF MODEL	I	T	C	COJ	GR.A	REMARKS
1	6213-610-005-20	WATERPUMP ASSY	1	*						
2	6213-611-003-20	BODY/WATERPUMP	1	*						
3	6213-631-002-00	BEARING/WATER PUMP	1	*						
4	6213-631-005-00	BEARING/WATERPUMP	1	*						
5	6213-622-002-00	SEAL SET/WATER PUMP	1	*						
6	6213-621-003-00	ROTOR/WATERPUMP	1	*						
7	6213-642-002-00	SEAL/WATER PUMPPULLE	1	*						
8	6213-613-002-10	GASKET	1	*						
9	6213-612-004-00	PLATE/WATER PUMP	1	*						
10	6213-619-003-00	SCREW/WATER PUMP	3	*						
11	6213-619-002-00	PIPE/WATER PUMP	1	*						
12	6213-614-003-10	BASKET/WATER PUMP	1	*						
13	6901-910-845-00	BOLT,SEMS/M8X45	1	*						
14	6909-110-508-00	NUT/M8	2	*						
15	6909-150-508-00	WASHER	2	*						
16	6213-619-001-00	SPACER,PUMP.WATER	1	*						
17	6213-614-004-10	GASKET,SPACER	1	*						
18	6904-110-840-00	STUD/M8X40	2	*						
19	6901-910-820-00	BOLT,SEMS/M8X20	1	*						
20	6909-110-508-00	NUT/M8	1	*						
21	6909-150-508-00	WASHER	1	*						
22	6213-729-001-00	HOSE,RUBBER	1	*						
23	1417-102-005-00	BAND, HOSE	2	*						
24	6213-716-001-30	HOUSING/THERMOSTAT	1	*						
25	6213-721-003-00	PIPE,PUMP HOUSING	1	*						

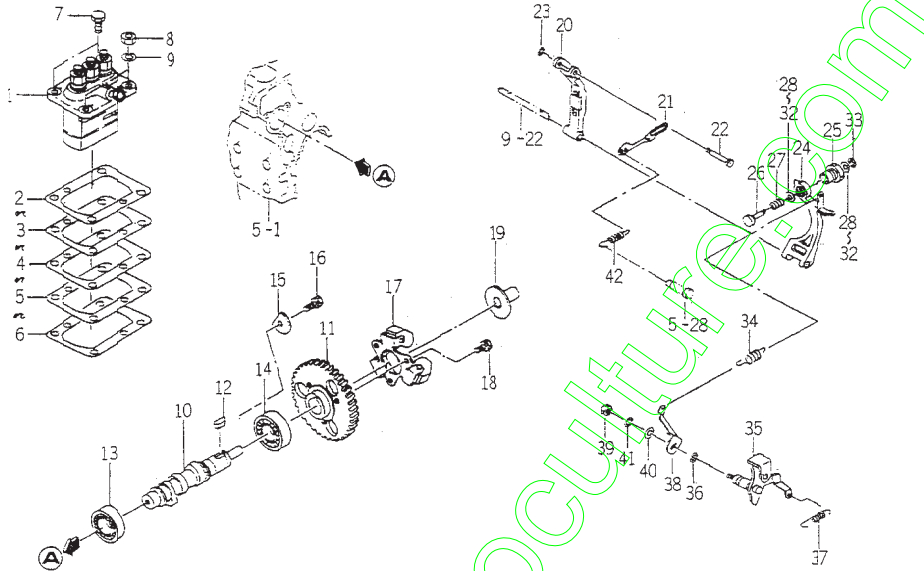








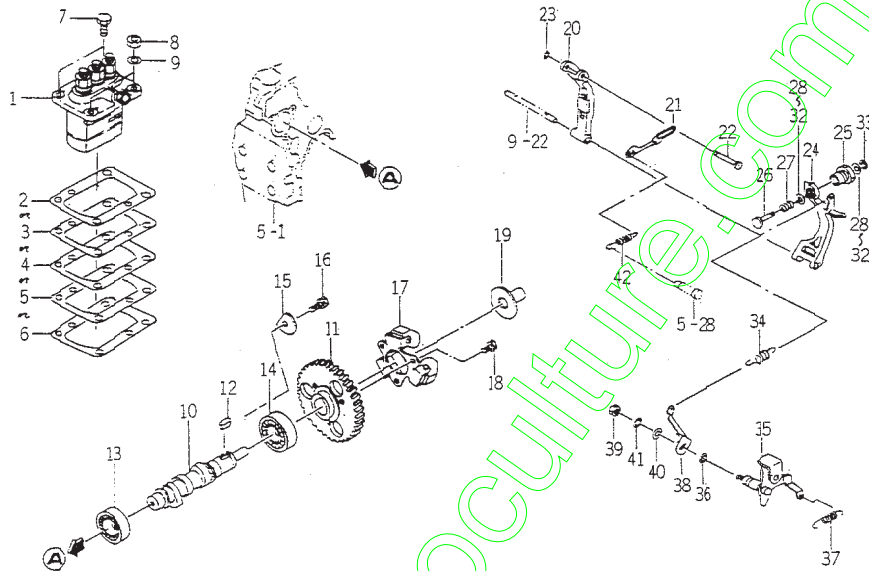
FIG. 20 INJECTION PUMP



6064-8306

KEY	PART CODE	DESCRIPTION	QTY	TYPE OF MODEL	I	C	O	G	REMARKS
				E3112B 01					
1	6215-600-103-00	INJECTIONPUMP ASSY	1	*					FIG 026
2	6219-752-006-00	SHIM/PUMP,INJ	1	*					
3	6219-752-007-00	SHIM/PUMP,INJ	1	*					
4	6219-752-008-00	SHIM/PUMP,INJ	1	*					
5	6219-752-009-00	SHIM/PUMP,INJ	1	*					
6	6219-752-010-00	SHIM/PUMP,INJ	1	*					
7	6902-050-820-00	BOLT	2	*					
8	6909-110-508-00	NUT/M8	2	*					
9	6909-150-508-00	WASHER	2	*					
10	6215-621-016-10	CAMSHAFT/INJ PUMP	1	*					
11	6212-524-002-00	GEAR,INJ PUMP	1	*					
12	6908-000-716-00	KEY	1	*					
13	V600-110-620-30	BEARING,RB/6203	1	*					
14	V600-110-600-40	BEARING,RB/6004	1	*					
15	6212-535-002-00	PLATE,THRUST INJPUMP	1	*					
16	6901-910-612-00	BOLT,SEMS/MEX12	1	*					
17	6215-520-001-00	FLYWEIGHT	1	*					
18	6209-030-043-00	BOLT/MEX10	3	*					
19	6215-526-001-10	PIECE,THRUST	1	*					
20	6215-541-001-00	ARM,FLOATING	1	*					
21	6215-543-002-10	RINK/CONTROL	1	*					
22	6215-542-005-00	PIN,CONTROL	1	*					
23	V710-140-004-00	RING,SNAP/ 4 E	1	*					
24	6215-541-016-10	ARM/TENSION	1	*					
25	6215-549-028-00	CASE/ADAPTER	1	*					

FIG. 20 INJECTION PUMP



6004-936

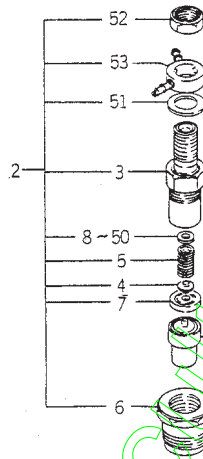
KEY	PART CODE	DESCRIPTION	QTY	TYPE OF MODEL		I T C	C O L	G R P	REMARKS
				E3112B 01					
26	6215 - 549 - 027 - 10	PIN/ADAPTER	1	*					
27	6215 - 549 - 035 - 00	SPRING/ADAPTER	1	*					
28	6215 - 549 - 006 - 00	SHIM,ADAPTER	2	*					
29	6215 - 549 - 009 - 00	SHIM,ADAPTER	2	*					
30	6215 - 549 - 010 - 00	SHIM,ADAPTER	2	*					
31	6215 - 549 - 023 - 00	SHIM/ADAPTER	1	*					
32	6215 - 549 - 024 - 00	SHIM/ADAPTER	1	*					
33	V710 - 140 - 004 - 00	RING,SNAP / 4 E	1	*					
34	6215 - 531 - 006 - 10	SPRING/GOVERNOR	1	*					
35	6215 - 541 - 022 - 10	LEVER/CONTROL COMP	1	*					
36	V720 - 101 - 900 - 80	O-RING/P 8	1	*					
37	6209 - 580 - 002 - 10	SPRING,RETURN	1	*					
38	6215 - 549 - 007 - 00	ARM,CONTROL	1	*					
39	6909 - 110 - 406 - 00	NUT	1	*					
40	V411 - 260 - 006 - 00	WASHER / M6	1	*					
41	6909 - 150 - 506 - 00	WASHER,SP/M6	1	*					
42	6215 - 549 - 012 - 00	SPRING,STARTING	1	*					







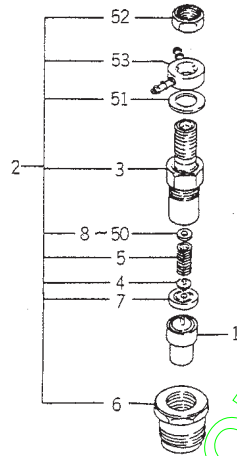
FIG. 24 6215 - 300 - 025 - 00



6215-0000

KEY	PART CODE	DESCRIPTION	CTY	TYPE OF MODEL			REMARKS
				E3112B 01	I T C	C O L	
1	6215 - 311 - 027 - 00	NOZZLE ASSY	2	*			
2	6215 - 330 - 014 - 00	HOLDER/NOZZLE ASSY	2	*			
3	6215 - 331 - 003 - 00	BODY/NOZZLE HOLDER	2	*			
4	6215 - 342 - 001 - 00	PIN,NOZZLE HOLDER	2	*			
5	6215 - 343 - 001 - 00	WASHER	2	*			
6	6215 - 332 - 005 - 00	NUT,NOZZLERETAINING	2	*			
7	6215 - 339 - 001 - 00	PIECE,DISTANCE	2	*			
8	6215 - 345 - 001 - 00	WASHER	2	*			
9	6215 - 345 - 002 - 00	WASHER	2	*			
10	6215 - 345 - 003 - 00	WASHER	2	*			
11	6215 - 345 - 004 - 00	WASHER	2	*			
12	6215 - 345 - 005 - 00	WASHER	2	*			
13	6215 - 345 - 006 - 00	WASHER	2	*			
14	6215 - 345 - 007 - 00	WASHER	2	*			
15	6215 - 345 - 008 - 00	WASHER	2	*			
16	6215 - 345 - 009 - 00	WASHER	2	*			
17	6215 - 345 - 010 - 00	WASHER	2	*			
18	6215 - 345 - 011 - 00	WASHER	2	*			
19	6215 - 345 - 012 - 00	WASHER	2	*			
20	6215 - 345 - 013 - 00	WASHER	2	*			
21	6215 - 345 - 014 - 00	WASHER	2	*			
22	6215 - 345 - 015 - 00	WASHER	2	*			
23	6215 - 345 - 016 - 00	WASHER	2	*			
24	6215 - 345 - 017 - 00	WASHER	2	*			
25	6215 - 345 - 018 - 00	WASHER	2	*			

FIG. 24 6215 - 300 - 025 - 00



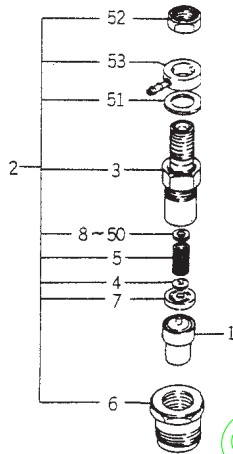
6215-200

KEY	PART CODE	DESCRIPTION	QTY	TYPE OF MODEL	I	T	C	COL	DDG	REMARKS
				231128 01						
26	6215 - 345 - 019 - 00	WASHER	2	*						
27	6215 - 345 - 020 - 00	WASHER	2	*						
28	6215 - 345 - 021 - 00	WASHER	2	*						
29	6215 - 345 - 022 - 00	WASHER	2	*						
30	6215 - 345 - 023 - 00	WASHER	2	*						
31	6215 - 345 - 024 - 00	WASHER	2	*						
32	6215 - 345 - 025 - 00	WASHER	2	*						
33	6215 - 345 - 026 - 00	WASHER	2	*						
34	6215 - 345 - 027 - 00	WASHER	2	*						
35	6215 - 345 - 028 - 00	WASHER	2	*						
36	6215 - 345 - 029 - 00	WASHER	2	*						
37	6215 - 345 - 030 - 00	WASHER	2	*						
38	6215 - 345 - 031 - 00	WASHER	2	*						
39	6215 - 345 - 032 - 00	WASHER	2	*						
40	6215 - 345 - 033 - 00	WASHER	2	*						
41	6215 - 345 - 034 - 00	WASHER	2	*						
42	6215 - 345 - 035 - 00	WASHER	2	*						
43	6215 - 345 - 036 - 00	WASHER	2	*						
44	6215 - 345 - 037 - 00	WASHER	2	*						
45	6215 - 345 - 038 - 00	WASHER	2	*						
46	6215 - 345 - 039 - 00	WASHER	2	*						
47	6215 - 345 - 040 - 00	WASHER	2	*						
48	6215 - 345 - 041 - 00	WASHER	2	*						
49	6215 - 345 - 042 - 00	WASHER	2	*						
50	6215 - 345 - 043 - 00	WASHER	2	*						





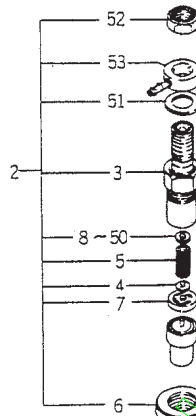
FIG. 25 6215 - 300 - 026 - 00



6215-300

KEY	PART CODE	DESCRIPTION	QTY	TYPE OF MODEL	I	T	C	COJ	ORCL	REMARKS
1	6215 - 311 - 027 - 00	NOZZLE ASSY	1	*						
2	6215 - 330 - 015 - 00	HOLDER/NOZZLE ASSY	1	*						
3	6215 - 331 - 004 - 00	BODY/NOZZLE HOLDER	1	*						
4	6215 - 342 - 001 - 00	PIN,NOZZLE HOLDER	1	*						
5	6215 - 343 - 001 - 00	WASHER	1	*						
6	6215 - 332 - 005 - 00	NUT/NOZZLERETAINING	1	*						
7	6215 - 339 - 001 - 00	PIECE,DISTANCE	1	*						
8	6215 - 345 - 001 - 00	WASHER	1	*						
9	6215 - 345 - 002 - 00	WASHER	1	*						
10	6215 - 345 - 003 - 00	WASHER	1	*						
11	6215 - 345 - 004 - 00	WASHER	1	*						
12	6215 - 345 - 005 - 00	WASHER	1	*						
13	6215 - 345 - 006 - 00	WASHER	1	*						
14	6215 - 345 - 007 - 00	WASHER	1	*						
15	6215 - 345 - 008 - 00	WASHER	1	*						
16	6215 - 345 - 009 - 00	WASHER	1	*						
17	6215 - 345 - 010 - 00	WASHER	1	*						
18	6215 - 345 - 011 - 00	WASHER	1	*						
19	6215 - 345 - 012 - 00	WASHER	1	*						
20	6215 - 345 - 013 - 00	WASHER	1	*						
21	6215 - 345 - 014 - 00	WASHER	1	*						
22	6215 - 345 - 015 - 00	WASHER	1	*						
23	6215 - 345 - 016 - 00	WASHER	1	*						
24	6215 - 345 - 017 - 00	WASHER	1	*						
25	6215 - 345 - 018 - 00	WASHER	1	*						

FIG. 25 6215 - 300 - 026 - 00

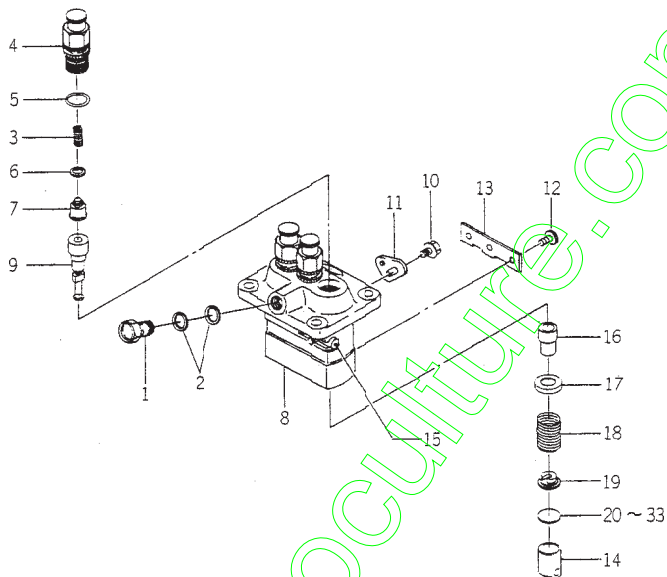


6215-9000

KEY	PART CODE	DESCRIPTION	QTY	TYPE OF MODEL		I T C	C O L	G R P	REMARKS
				631128 01					
26	6215 - 345 - 019 - 00	WASHER	1	*					
27	6215 - 345 - 020 - 00	WASHER	1	*					
28	6215 - 345 - 021 - 00	WASHER	1	*					
29	6215 - 345 - 022 - 00	WASHER	1	*					
30	6215 - 345 - 023 - 00	WASHER	1	*					
31	6215 - 345 - 024 - 00	WASHER	1	*					
32	6215 - 345 - 025 - 00	WASHER	1	*					
33	6215 - 345 - 026 - 00	WASHER	1	*					
34	6215 - 345 - 027 - 00	WASHER	1	*					
35	6215 - 345 - 028 - 00	WASHER	1	*					
36	6215 - 345 - 029 - 00	WASHER	1	*					
37	6215 - 345 - 030 - 00	WASHER	1	*					
38	6215 - 345 - 031 - 00	WASHER	1	*					
39	6215 - 345 - 032 - 00	WASHER	1	*					
40	6215 - 345 - 033 - 00	WASHER	1	*					
41	6215 - 345 - 034 - 00	WASHER	1	*					
42	6215 - 345 - 035 - 00	WASHER	1	*					
43	6215 - 345 - 036 - 00	WASHER	1	*					
44	6215 - 345 - 037 - 00	WASHER	1	*					
45	6215 - 345 - 038 - 00	WASHER	1	*					
46	6215 - 345 - 039 - 00	WASHER	1	*					
47	6215 - 345 - 040 - 00	WASHER	1	*					
48	6215 - 345 - 041 - 00	WASHER	1	*					
49	6215 - 345 - 042 - 00	WASHER	1	*					
50	6215 - 345 - 043 - 00	WASHER	1	*					



FIG. 26 6215 - 600 - 103 - 00

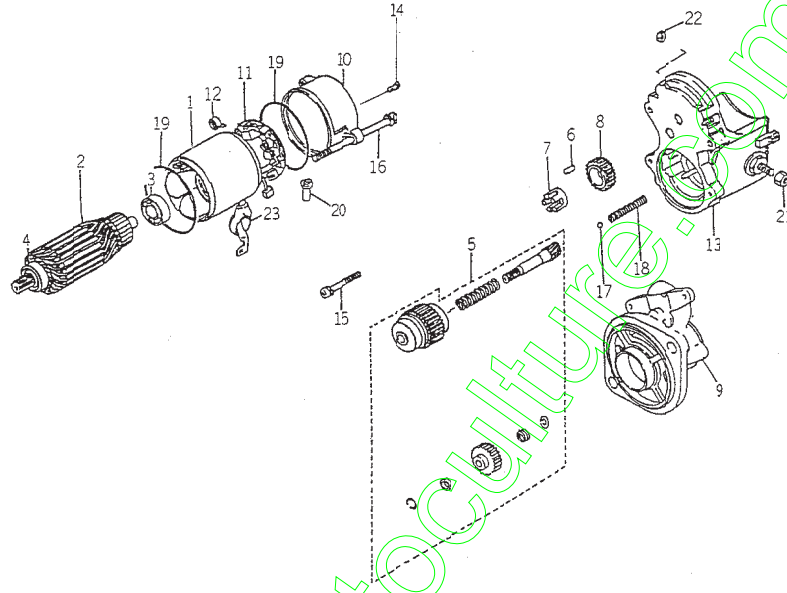


6215-0001

KEY	PART CODE	DESCRIPTION	QTY	TYPE OF MODEL			I T C	C O L	G R P	REMARKS
				E31128 01						
1	6215 - 619 - 009 - 00	SCREW/HOLLOW	1	*						
2	6215 - 619 - 010 - 00	WASHER/AIR BLEEDER	2	*						
3	6215 - 643 - 006 - 00	SPRING/DELIVERY VALVE	3	*						
4	6215 - 644 - 007 - 00	HOLDER/DELIVERY VALVE	3	*						
5	6215 - 649 - 001 - 00	ORING	3	*						
6	6215 - 649 - 002 - 00	GASKET/DELIVERY VALVE	3	*						
7	6215 - 641 - 006 - 00	VALVE ASSY	3	*						
8	6215 - 611 - 001 - 00	HOUSING ASSY	1	*						
9	6215 - 631 - 012 - 00	ELEMENT ASSY	3	*						
10	6215 - 619 - 022 - 00	BOLT/WASHERHEAD	2	*						
11	6215 - 612 - 001 - 00	PLATE/ADJUSTING	2	*						
12	6215 - 629 - 001 - 00	PIN/INJECTION PUMP	3	*						
13	6215 - 629 - 002 - 00	PLATE	1	*						
14	6215 - 622 - 001 - 00	TAPPET/INJECTIO ASSY	3	*						
15	6215 - 637 - 001 - 00	RACK/CONTROL ASSY	1	*						
16	6215 - 635 - 001 - 00	SLEEVE/PLUNGER	3	*						
17	6215 - 639 - 004 - 00	SEAT/SPRING/UPPER	3	*						
18	6215 - 634 - 001 - 00	SPRING/PUMP/PLUNGER	3	*						
19	6215 - 639 - 005 - 00	SEAT/SPRING/LOWER	3	*						
20	6215 - 629 - 003 - 00	PLATE/TAPPET/ADJUST	1	*						
21	6215 - 629 - 004 - 00	PLATE/TAPPET/ADJUST	1	*						
22	6215 - 629 - 005 - 00	PLATE/TAPPET/ADJUST	1	*						
23	6215 - 629 - 006 - 00	PLATE/TAPPET/ADJUST	1	*						
24	6215 - 629 - 007 - 00	PLATE/TAPPET/ADJUST	1	*						
25	6215 - 629 - 008 - 00	PLATE/TAPPET/ADJUST	1	*						



FIG. 27 6281 - 100 - 002 - 10



6281-1000

KEY	PART CODE	DESCRIPTION	QTY	TYPE OF MODEL			I T C	C O L	G R P	REMARKS
				E3112B 01						
1	6281 - 111 - 005 - 00	YOKE/STARTER ASSY	1	*						
2	6281 - 121 - 006 - 00	ARMATURE/STARTER ASSY	1	*						
3	6281 - 129 - 038 - 00	BEARING	1	*						
4	6281 - 129 - 039 - 00	BEARING	1	*						
5	6281 - 124 - 007 - 00	CLUTCH/STARTER ASSY	1	*						
6	6581 - 129 - 099 - 00	ROTOR	5	*						
7	6281 - 129 - 040 - 00	RETAINER	1	*						
8	6281 - 123 - 005 - 00	PINION/STARTER	1	*						
9	6281 - 129 - 041 - 00	HOUSING/STARTER ASSY	1	*						
10	6281 - 115 - 008 - 00	FRAME/STARTEREND	1	*						
11	6281 - 115 - 004 - 00	HOLDER/STARTER ASSY	1	*						
12	6581 - 117 - 007 - 00	SPRING,BRUSH	4	*						
13	6281 - 151 - 009 - 00	SWITCH/MAGNETIC ASSY	1	*						
14	6281 - 129 - 005 - 00	SCREW	2	*						
15	6281 - 129 - 042 - 00	BOLT/WS	2	*						
16	6281 - 129 - 043 - 00	BOLT/THROUGH	2	*						
17	6581 - 129 - 092 - 00	BALL	1	*						
18	6281 - 129 - 044 - 00	SPRING/RETURN	1	*						
19	6281 - 129 - 003 - 00	O - RING	2	*						
20	6281 - 115 - 009 - 00	BUSHING/DRAIN	1	*						
21	6909 - 111 - 508 - 00	NUT	1	*						
22	6281 - 229 - 041 - 00	NUT	1	*						
23	6281 - 115 - 010 - 00	COVER	1	*						







# ENGINE

E3112-B...TF321FH

[www.emc-motoculture.com](http://www.emc-motoculture.com)

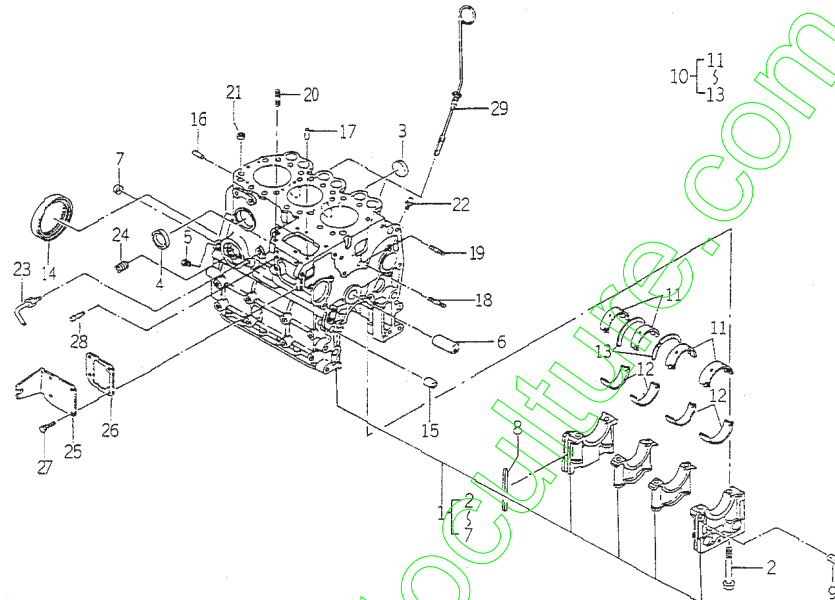








FIG. 5 CYLINDER BLOCK



6004-2018

KEY	PART CODE	DESCRIPTION	QTY	TYPE OF MODEL			REMARKS
				E31128	C	GRP	
1	6211-210-037-10	CYLINDERBLOCK ASSY	1	*			
2	6209-000-004-00	BOLT	8	*			
3	6209-610-001-00	CAP,SEALING	2	*			
4	6911-219-195-00	CAP,SEALING	4	*			
5	6509-605-019-10	PLUG	3	*			
6	6212-531-005-00	PIN,IDE GEAR	1	*			
7	6911-129-083-00	CAP,SEALING	2	*			
8	6211-258-001-00	SEAL,BEARING CAP	4	*			
9	6211-258-002-00	SEAL,BEARING CAP/7	2	*			
10	6211-510-001-00	METAL,CRANK SET	1	*			
11	6211-511-001-00	METAL,CRANK	4	*			
12	6211-511-002-00	METAL,CRANK	4	*			
13	6211-559-001-10	BEARING,THRUST CRANK	2	*			
14	6209-625-001-00	SEAL,OIL	1	*			
15	6209-749-001-10	PIN,TUBE	2	*			
16	6908-160-816-00	PIN	2	*			
17	6908-160-612-00	PIN/STRIANER	2	*			
18	6904-110-840-00	STUD/M8X40	1	*			
19	6904-110-818-00	STUD	1	*			
20	6904-110-822-00	STUD	2	*			
21	6894-453-344-00	DOWEL	2	*			
22	6909-902-299-00	NIPPLE	1	*			
23	6513-721-043-00	PIPE,WATER DRAIN	1	*			
24	6213-319-001-00	CONNECTOR,OL FILTER	1	*			
25	6211-291-013-00	COVER,INJECTIONPUMP	1	*			





















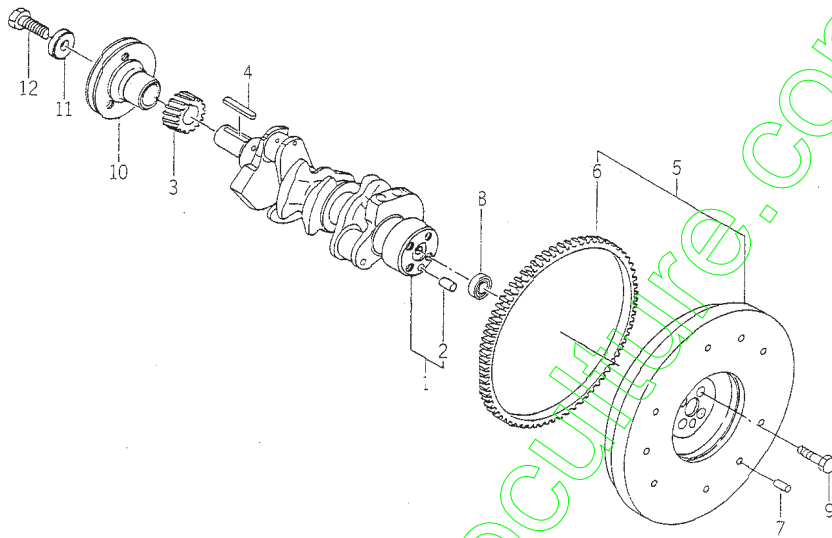








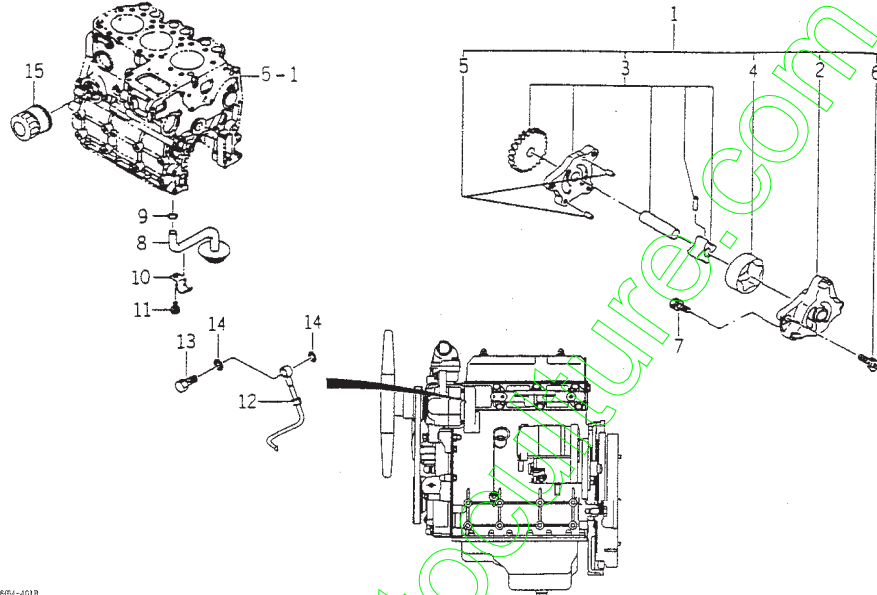
FIG. 15 CRANK SHAFT



6004-REG

KEY	PART CODE	DESCRIPTION	QTY	TYPE OF MODEL		I	C	G	P	REMARKS
				E3112B						
1	6212-310-009-00	SHAFT,CRANK ASSY	1	*						
2	6908-161-018-00	PIN	1	*						
3	6212-521-002-00	GEAR,CRANK SHAFT	1	*						
4	6908-000-750-00	KEY	1	*						
5	6212-330-032-00	FLYWHEEL ASSY	1	*						
6	6912-333-036-10	GEAR,RING	1	*						
7	6908-160-816-00	PIN	3	*						
8	V600-150-600-20	BEARING, RB, 6002SS	1	*						
9	6509-000-018-10	BOLT	4	*						
10	6212-371-010-40	PULLEY	1	*						
11	6212-379-001-00	WASHER	1	*						
12	6901-066-645-00	BOLT	1	*						

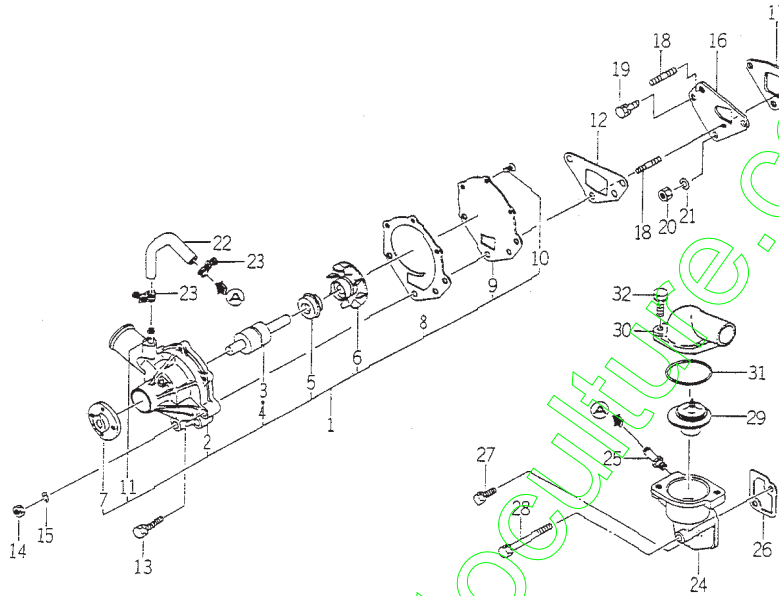
FIG. 16 OIL PUMP



601-4919

KEY	PART CODE	DESCRIPTION	QTY	TYPE OF MODEL	I	C	G	REMARKS
				E3112B	T	L	TRG	
1	6213 - 100 - 003 - 20	PUMP,OIL ASSY	1	*				
2	6213 - 111 - 001 - 20	BODY,OILPUMP	1	*				
3	6213 - 120 - 003 - 00	GEAR,OILPUMP ASSY	1	*				
4	6213 - 125 - 001 - 00	ROTOR, OUTER	1	*				
5	6908 - 160 - 408 - 00	PIN,STRAIGHT	2	*				
6	6209 - 009 - 001 - 00	BOLT, WS	3	*				
7	6901 - 910 - 625 - 00	BOLT	3	*				
8	6213 - 140 - 008 - 00	STRAINER	1	*				
9	V720 - 102 - 401 - 50	O - RING/P15	1	*				
10	6213 - 149 - 002 - 00	CLAMP,STRAINER	1	*				
11	6901 - 910 - 816 - 00	BOLT,SEMS./M8X16	1	*				
12	6213 - 311 - 008 - 00	PIPE,OIL	1	*				
13	6909 - 906 - 105 - 10	BOLT,JOINT	1	*				
14	6909 - 920 - 843 - 00	PACKING	2	*				
15	6213 - 240 - 002 - 00	CARTRIDGE,OIL FILTER	1	*				

FIG. 17 WATER PUMP



6004-420

KEY	PART CODE	DESCRIPTION	QTY	TYPE OF MODEL	I	C	C	P	REMARKS
1	6213-610-005-20	WATERPUMP ASSY	1	*					
2	6213-611-003-20	BODY/WATERPUMP	1	*					
3	6213-631-002-00	BEARING/WATER PUMP	1	*					
4	6213-631-005-00	BEARING/WATERPUMP	1	*					
5	6213-622-002-00	SEAL SET/WATER PUMP	1	*					
6	6213-621-003-00	ROTOR/WATERPUMP	1	*					
7	6213-642-002-00	SEAL/WATER PUMPPULLE	1	*					
8	6213-613-002-10	GASKET	1	*					
9	6213-612-004-00	PLATE/WATER PUMP	1	*					
10	6213-619-003-00	SCREW/WATER PUMP	3	*					
11	6213-619-002-00	PIPE/WATER PUMP	1	*					
12	6213-614-003-10	GASKET/WATER PUMP	1	*					
13	6901-910-845-00	BOLT,SEMS./M8X45	1	*					
14	6909-110-508-00	NUT/M8	2	*					
15	6909-150-508-00	WASHER	2	*					
16	6213-619-001-00	SPACER,PUMP,WATER	1	*					
17	6213-614-004-10	GASKET,SPACER	1	*					
18	6904-110-840-00	STUD/M8X40	2	*					
19	6901-910-820-00	BOLT,SEMS./M8X20	1	*					
20	6909-110-508-00	NUT/M8	1	*					
21	6909-150-508-00	WASHER	1	*					
22	6213-729-001-00	HOSE,RUBBER	1	*					
23	1417-102-005-00	BAND, HOSE	2	*					
24	6213-716-001-30	HOUSING/THERMOSTAT	1	*					
25	6213-721-003-00	PIPE,PUMP HOUSING	1	*					

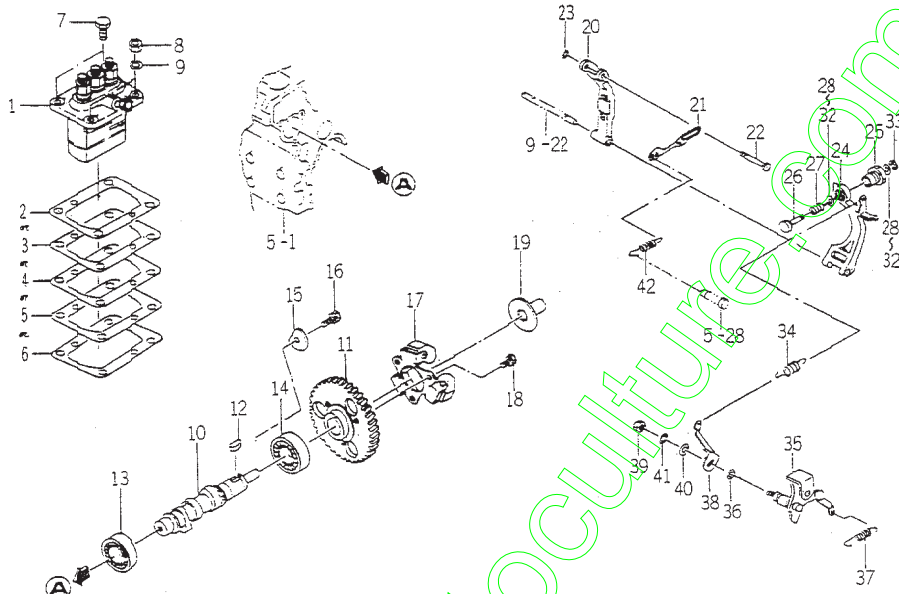








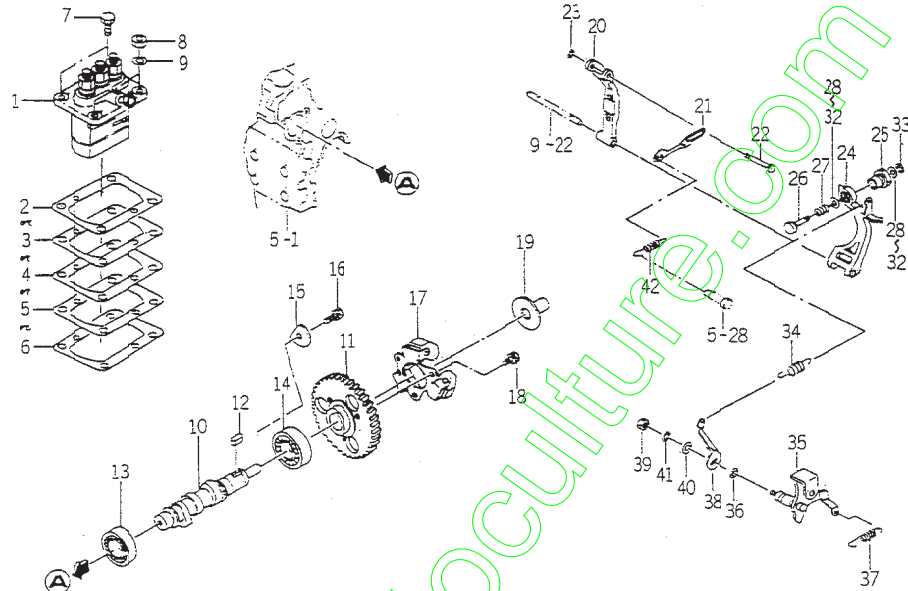
FIG. 20 INJECTION PUMP



6004-BMC

KEY	PART CODE	DESCRIPTION	QTY	TYPE OF MODEL			REMARKS
				E	T	C	
1	6215 - 600 - 103 - 00	INJECTIONPUMP ASSY	1	*			FIG 026
2	6219 - 752 - 006 - 00	SHIM/PUMP,INJ	1	*			
3	6219 - 752 - 007 - 00	SHIM/PUMP,INJ	1	*			
4	6219 - 752 - 008 - 00	SHIM/PUMP,INJ	1	*			
5	6219 - 752 - 009 - 00	SHIM/PUMP,INJ	1	*			
6	6219 - 752 - 010 - 00	SHIM/PUMP,INJ	1	*			
7	6902 - 050 - 820 - 00	BOLT	2	*			
8	6909 - 110 - 508 - 00	NUT/M8	2	*			
9	6909 - 150 - 508 - 00	WASHER	2	*			
10	6215 - 621 - 016 - 10	CAMSHAFT/INJ PUMP	1	*			
11	6212 - 524 - 002 - 00	GEAR,INJ PUMP	1	*			
12	6908 - 000 - 716 - 00	KEY	1	*			
13	V600 - 110 - 620 - 30	BEARING,RB/6203	1	*			
14	V600 - 110 - 600 - 40	BEARING,RB/6004	1	*			
15	6212 - 535 - 002 - 00	PLATE,THRUST INJPUMP	1	*			
16	6901 - 910 - 612 - 00	BOLT,SEMS/M6X12	1	*			
17	6215 - 520 - 001 - 00	FLYWEIGHT	1	*			
18	6209 - 030 - 043 - 00	BOLT/M6X10	3	*			
19	6215 - 526 - 001 - 10	PIECE,THRUST	1	*			
20	6215 - 541 - 001 - 00	ARM,FLOATING	1	*			
21	6215 - 543 - 002 - 10	RINK/CONTROL	1	*			
22	6215 - 542 - 006 - 00	PIN,CONTROL	1	*			
23	V719 - 140 - 004 - 00	RING,SNAP/ 4 E	1	*			
24	6215 - 541 - 016 - 10	ARM/TENSION	1	*			
25	6215 - 549 - 028 - 00	CASE/ADAPTER	1	*			

FIG. 20 INJECTION PUMP



6204-5106

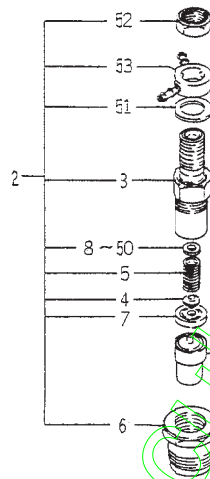
KEY	PART CODE	DESCRIPTION	QTY	TYPE OF MODEL		I T C	C O L	G R P	REMARKS
				E3112B					
26	6215 - 549 - 027 - 10	PIN/ADAPTER	1	*					
27	6215 - 549 - 035 - 00	SPRING/ADAPTER	1	*					
28	6215 - 549 - 006 - 00	SHIM,ADAPTER	2	*					
29	6215 - 549 - 009 - 00	SHIM,ADAPTER	2	*					
30	6215 - 549 - 010 - 00	SHIM,ADAPTER	2	*					
31	6215 - 549 - 023 - 00	SHIM/ADAPTER	1	*					
32	6215 - 549 - 024 - 00	SHIM/ADAPTER	1	*					
33	V710 - 140 - 004 - 00	RINGSNAP/ 4 E	1	*					
34	6215 - 531 - 006 - 10	SPRING/GOVERNOR	1	*					
35	6215 - 541 - 022 - 10	LEVER/CONTROL COMP	1	*					
36	V720 - 101 - 900 - 80	O - RING/P 8	1	*					
37	6209 - 580 - 002 - 10	SPRING,RETURN	1	*					
38	6215 - 549 - 007 - 00	ARM,CONTROL	1	*					
39	6909 - 110 - 406 - 00	NUT	1	*					
40	V411 - 250 - 906 - 00	WASHER / M6	1	*					
41	6909 - 160 - 506 - 00	WASHER,SP/M6	1	*					
42	6215 - 549 - 012 - 00	SPRING,STARTING	1	*					







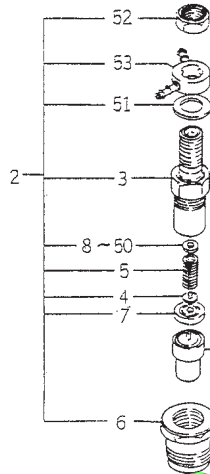
FIG. 24 6215 - 300 - 025 - 00



6215-3000

KEY	PART CODE	DESCRIPTION	QTY	TYPE OF MODEL		I T C	C O L	G R C A	REMARKS
				E3112B					
1	6215 - 311 - 027 - 00	NOZZLE ASSY	2	*					
2	6215 - 330 - 014 - 00	HOLDER/NOZZLE ASSY	2	*					
3	6215 - 331 - 003 - 00	BODY/NOZZLE HOLDER	2	*					
4	6215 - 342 - 001 - 00	PIN,NOZZLE HOLDER	2	*					
5	6215 - 343 - 001 - 00	WASHER	2	*					
6	6215 - 332 - 005 - 00	NUT,NOZZLERETAINING	2	*					
7	6215 - 339 - 001 - 00	PIECE, DISTANCE	2	*					
8	6215 - 345 - 001 - 00	WASHER	2	*					
9	6215 - 345 - 002 - 00	WASHER	2	*					
10	6215 - 345 - 003 - 00	WASHER	2	*					
11	6215 - 345 - 004 - 00	WASHER	2	*					
12	6215 - 345 - 005 - 00	WASHER	2	*					
13	6215 - 345 - 006 - 00	WASHER	2	*					
14	6215 - 345 - 007 - 00	WASHER	2	*					
15	6215 - 345 - 008 - 00	WASHER	2	*					
16	6215 - 345 - 009 - 00	WASHER	2	*					
17	6215 - 345 - 010 - 00	WASHER	2	*					
18	6215 - 345 - 011 - 00	WASHER	2	*					
19	6215 - 345 - 012 - 00	WASHER	2	*					
20	6215 - 345 - 013 - 00	WASHER	2	*					
21	6215 - 345 - 014 - 00	WASHER	2	*					
22	6215 - 345 - 015 - 00	WASHER	2	*					
23	6215 - 345 - 016 - 00	WASHER	2	*					
24	6215 - 345 - 017 - 00	WASHER	2	*					
25	6215 - 345 - 018 - 00	WASHER	2	*					

FIG. 24 6215 - 300 - 025 - 00



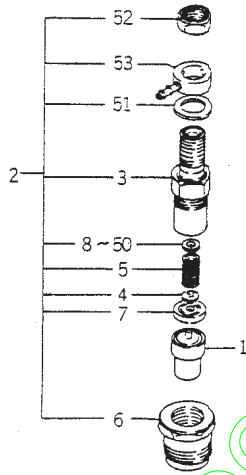
6215-300

KEY	PART CODE	DESCRIPTION	QTY	TYPE OF MODEL	I	T	C	LOC	UNIT	REMARKS
26	6215 - 345 - 019 - 00	WASHER	2	*						
27	6215 - 345 - 020 - 00	WASHER	2	*						
28	6215 - 345 - 021 - 00	WASHER	2	*						
29	6215 - 345 - 022 - 00	WASHER	2	*						
30	6215 - 345 - 023 - 00	WASHER	2	*						
31	6215 - 345 - 024 - 00	WASHER	2	*						
32	6215 - 345 - 025 - 00	WASHER	2	*						
33	6215 - 345 - 026 - 00	WASHER	2	*						
34	6215 - 345 - 027 - 00	WASHER	2	*						
35	6215 - 345 - 028 - 00	WASHER	2	*						
36	6215 - 345 - 029 - 00	WASHER	2	*						
37	6215 - 345 - 030 - 00	WASHER	2	*						
38	6215 - 345 - 031 - 00	WASHER	2	*						
39	6215 - 345 - 032 - 00	WASHER	2	*						
40	6215 - 345 - 033 - 00	WASHER	2	*						
41	6215 - 345 - 034 - 00	WASHER	2	*						
42	6215 - 345 - 035 - 00	WASHER	2	*						
43	6215 - 345 - 036 - 00	WASHER	2	*						
44	6215 - 345 - 037 - 00	WASHER	2	*						
45	6215 - 345 - 038 - 00	WASHER	2	*						
46	6215 - 345 - 039 - 00	WASHER	2	*						
47	6215 - 345 - 040 - 00	WASHER	2	*						
48	6215 - 345 - 041 - 00	WASHER	2	*						
49	6215 - 345 - 042 - 00	WASHER	2	*						
50	6215 - 345 - 043 - 00	WASHER	2	*						





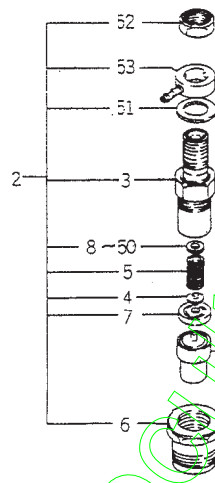
FIG. 25 6215 - 300 - 026 - 00



6215-3000

KEY	PART CODE	DESCRIPTION	QTY	TYPE OF MODEL	I	T	C	COL	DETA	REMARKS
				E3112B						
1	6215-311-027-00	NOZZLE ASSY	1	*						
2	6215-330-015-00	HOLDER/NOZZLE ASSY	1	*						
3	6215-331-004-00	BODY/NOZZLE HOLDER	1	*						
4	6215-342-001-00	PIN,NOZZLE HOLDER	1	*						
5	6215-343-001-00	WASHER	1	*						
6	6215-332-005-00	NUT/NOZZLERETAINING	1	*						
7	6215-339-001-00	PIECE,DISTANCE	1	*						
8	6215-345-001-00	WASHER	1	*						
9	6215-345-002-00	WASHER	1	*						
10	6215-345-003-00	WASHER	1	*						
11	6215-345-004-00	WASHER	1	*						
12	6215-345-005-00	WASHER	1	*						
13	6215-345-006-00	WASHER	1	*						
14	6215-345-007-00	WASHER	1	*						
15	6215-345-008-00	WASHER	1	*						
16	6215-345-009-00	WASHER	1	*						
17	6215-345-010-00	WASHER	1	*						
18	6215-345-011-00	WASHER	1	*						
19	6215-345-012-00	WASHER	1	*						
20	6215-345-013-00	WASHER	1	*						
21	6215-345-014-00	WASHER	1	*						
22	6215-345-015-00	WASHER	1	*						
23	6215-345-016-00	WASHER	1	*						
24	6215-345-017-00	WASHER	1	*						
25	6215-345-018-00	WASHER	1	*						

FIG. 25 6215 - 300 - 026 - 00

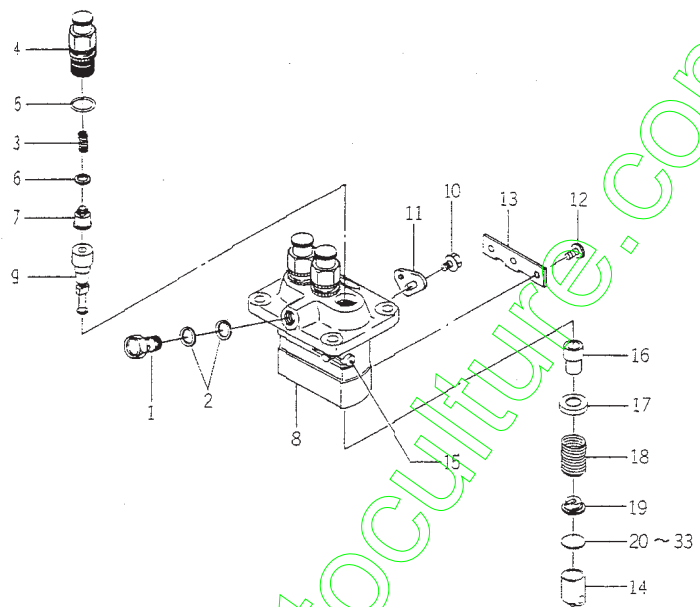


6215-3000

KEY	PART CODE	DESCRIPTION	QTY	TYPE OF MODEL			I T C	C O L	G R P	REMARKS
				E3112B						
25	6215 - 345 - 019 - 00	WASHER	1	*						
27	6215 - 345 - 020 - 00	WASHER	1	*						
28	6215 - 345 - 021 - 00	WASHER	1	*						
29	6215 - 345 - 022 - 00	WASHER	1	*						
30	6215 - 345 - 023 - 00	WASHER	1	*						
31	6215 - 345 - 024 - 00	WASHER	1	*						
32	6215 - 345 - 025 - 00	WASHER	1	*						
33	6215 - 345 - 026 - 00	WASHER	1	*						
34	6215 - 345 - 027 - 00	WASHER	1	*						
35	6215 - 345 - 028 - 00	WASHER	1	*						
36	6215 - 345 - 029 - 00	WASHER	1	*						
37	6215 - 345 - 030 - 00	WASHER	1	*						
38	6215 - 345 - 031 - 00	WASHER	1	*						
39	6215 - 345 - 032 - 00	WASHER	1	*						
40	6215 - 345 - 033 - 00	WASHER	1	*						
41	6215 - 345 - 034 - 00	WASHER	1	*						
42	6215 - 345 - 035 - 00	WASHER	1	*						
43	6215 - 345 - 036 - 00	WASHER	1	*						
44	6215 - 345 - 037 - 00	WASHER	1	*						
45	6215 - 345 - 038 - 00	WASHER	1	*						
46	6215 - 345 - 039 - 00	WASHER	1	*						
47	6215 - 345 - 040 - 00	WASHER	1	*						
48	6215 - 345 - 041 - 00	WASHER	1	*						
49	6215 - 345 - 042 - 00	WASHER	1	*						
50	6215 - 345 - 043 - 00	WASHER	1	*						



FIG. 26 6215 - 600 - 103 - 00

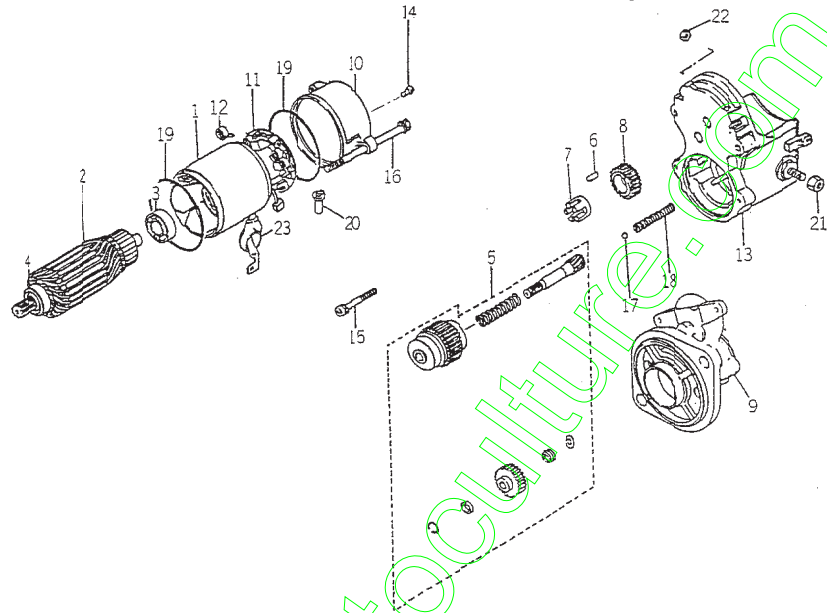


6215-6601

KEY	PART CODE	DESCRIPTION	QTY	TYPE OF MODEL			REMARKS
				E3112B	I T C	C O L G R P	
1	6215 - 619 - 009 - 00	SCREW/HOLLOW	1	*			
2	6215 - 619 - 010 - 00	WASHER/AIR BLEEDER	2	*			
3	6215 - 643 - 006 - 00	SPRING/DELIVERYVALVE	3	*			
4	6215 - 644 - 007 - 00	HOLDER/DELIVERYVALVE	3	*			
5	6215 - 649 - 001 - 00	ORING	3	*			
6	6215 - 649 - 002 - 00	GASKET/DELIVERYVALVE	3	*			
7	6215 - 641 - 006 - 00	VALVE ASSY	3	*			
8	6215 - 611 - 001 - 00	HOUSING ASSY	1	*			
9	6215 - 631 - 012 - 00	ELEMENT ASSY	3	*			
10	6215 - 619 - 022 - 00	BOLT/WASHERHEAD	2	*			
11	6215 - 612 - 001 - 00	PLATE/ADJUSTING	2	*			
12	6215 - 629 - 001 - 00	PIN/INJECTIONPUMP	3	*			
13	6215 - 629 - 002 - 00	PLATE	1	*			
14	6215 - 622 - 001 - 00	TAPPET/INJECTIO ASSY	3	*			
15	6215 - 637 - 001 - 00	RACK/CONTROL ASSY	1	*			
16	6215 - 635 - 001 - 00	SLEEVE/PLUNGER	3	*			
17	6215 - 639 - 004 - 00	SEAT/SPRING/UPPER	3	*			
18	6215 - 634 - 001 - 00	SPRING/PUMPPLUNGER	3	*			
19	6215 - 639 - 005 - 00	SEAT/SPRING/LOWER	3	*			
20	6215 - 629 - 003 - 00	PLATE/TAPPET/ADJUST	1	*			
21	6215 - 629 - 004 - 00	PLATE/TAPPET/ADJUST	1	*			
22	6215 - 629 - 005 - 00	PLATE/TAPPET/ADJUST	1	*			
23	6215 - 629 - 006 - 00	PLATE/TAPPET/ADJUST	1	*			
24	6215 - 629 - 007 - 00	PLATE/TAPPET/ADJUST	1	*			
25	6215 - 629 - 008 - 00	PLATE/TAPPET/ADJUST	1	*			



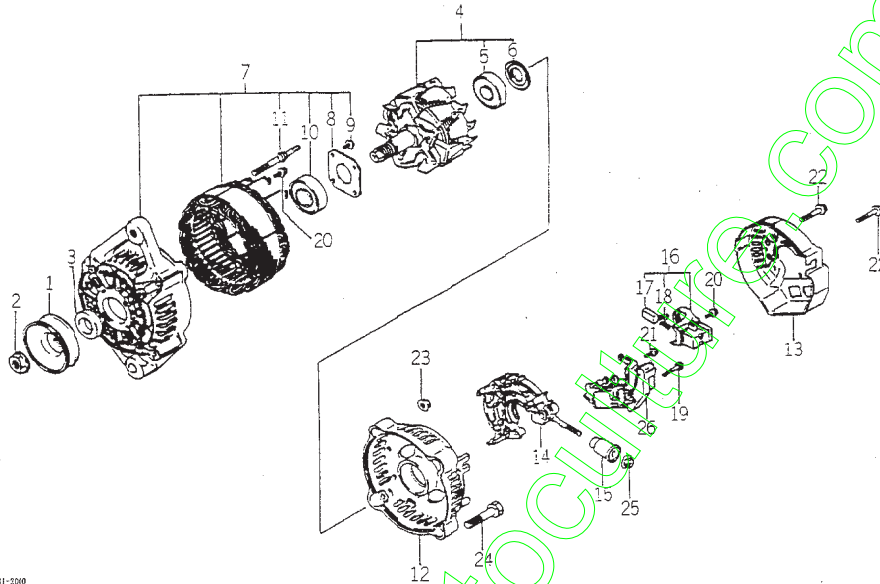
FIG. 27 6281 - 100 - 002 - 10



6281-1000

KEY	PART CODE	DESCRIPTION	QTY	TYPE OF MODEL		I T C	C O L	G R P	REMARKS
				E3112B					
1	6281 - 111 - 005 - 00	YOKE/STARTER ASSY	1	*					
2	6281 - 121 - 006 - 00	ARMATURE/STARTER ASSY	1	*					
3	6281 - 129 - 038 - 00	BEARING	1	*					
4	6281 - 129 - 039 - 00	BEARING	1	*					
5	6281 - 124 - 007 - 00	CLUTCH/STARTER ASSY	1	*					
6	6581 - 129 - 099 - 00	ROTOR	5	*					
7	6281 - 129 - 040 - 00	RETAINER	1	*					
8	6281 - 123 - 005 - 00	PINION/STARTER	1	*					
9	6281 - 129 - 041 - 00	HOUSING/STARTER ASSY	1	*					
10	6281 - 115 - 008 - 00	FRAME/STARTER END	1	*					
11	6281 - 116 - 004 - 00	HOLDER/STARTER ASSY	1	*					
12	6581 - 117 - 007 - 00	SPRING,BRUSH	4	*					
13	6281 - 151 - 009 - 00	SWITCH/MAGNETIC ASSY	1	*					
14	6281 - 129 - 005 - 00	SCREW	2	*					
15	6281 - 129 - 042 - 00	BOLT/WS	2	*					
16	6281 - 129 - 043 - 00	BOLT/THROUGH	2	*					
17	6581 - 129 - 092 - 00	BALL	1	*					
18	6281 - 129 - 044 - 00	SPRING/RETURN	1	*					
19	6281 - 129 - 003 - 00	O - RING	2	*					
20	6281 - 115 - 009 - 00	BUSHING/DRAIN	1	*					
21	6909 - 111 - 508 - 00	NUT	1	*					
22	6281 - 229 - 041 - 00	NUT	1	*					
23	6281 - 115 - 010 - 00	COVER	1	*					

FIG. 28 6281 - 200 - 005 - 00



6281-2000

KEY	PART CODE	DESCRIPTION	QTY	TYPE OF MODEL		I T C	C O L	G R P	REMARKS
				E3112B					
1	6281 - 222 - 004 - 00	PULLEY	1	*					
2	6281 - 229 - 002 - 00	NUT	1	*					
3	6281 - 229 - 003 - 00	COLLOR	1	*					
4	6281 - 221 - 001 - 00	ROTOR ASSY	1	*					
5	6281 - 229 - 005 - 00	BEARING	1	*					
6	6281 - 229 - 004 - 00	COVER,BEARING	1	*					
7	6281 - 213 - 006 - 00	FRAME ASSY	1	*					
8	6281 - 229 - 006 - 00	PLATE	1	*					
9	6281 - 229 - 007 - 00	BOLT	4	*					
10	6281 - 229 - 009 - 00	BEARING	1	*					
11	6281 - 229 - 008 - 00	BOLT	2	*					
12	6281 - 214 - 003 - 00	FRAME	1	*					
13	6281 - 214 - 004 - 00	COVER	1	*					
14	6281 - 229 - 029 - 00	HOLDER ASSY	1	*					
15	6281 - 229 - 01 - 00	BUSH	1	*					
16	6281 - 217 - 001 - 00	HOLDER,BRUSH ASSY	1	*					
17	6281 - 216 - 001 - 00	BRUSH	2	*					
18	6281 - 216 - 001 - 00	SPRING	2	*					
19	6281 - 229 - 012 - 00	BOLT	2	*					
20	6281 - 229 - 013 - 00	BOLT	6	*					
21	6281 - 229 - 014 - 00	BOLT	1	*					
22	6281 - 229 - 015 - 00	BOLT	3	*					
23	6281 - 229 - 016 - 00	NUT	2	*					
24	6281 - 229 - 017 - 00	BOLT	2	*					
25	6281 - 229 - 018 - 00	NUT	1	*					

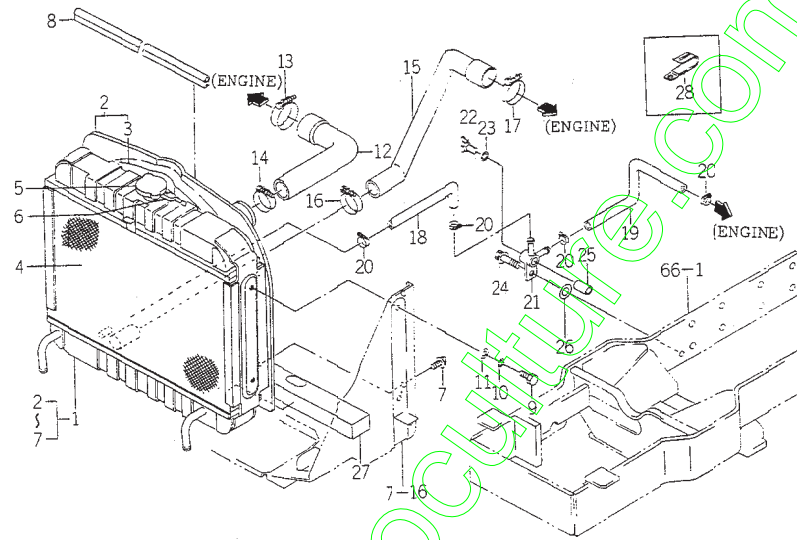




# CHASSIS

[www.emc-motoculture.com](http://www.emc-motoculture.com)

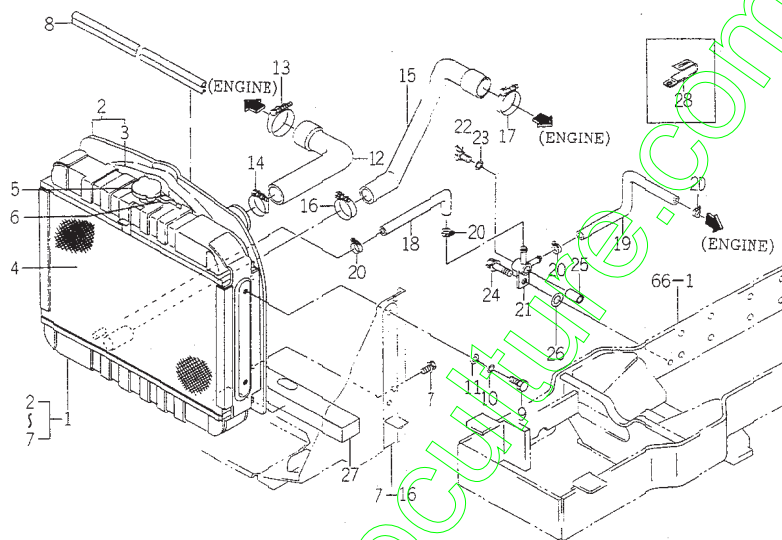
FIG. 1 RADIATOR (HST) SYSTEM (M,MU TYPE)



KEY	PART CODE	DESCRIPTION	QTY	TYPE OF MODEL				I T C	C O L	G R P	REMARKS
				TF317F	TF317FH	TF321F	TF321FH				
1	1620-102-500-00	RADIATOR ASSY	1	*		*					
2	1614-102-220-00	SHROUD COMP	1		*		*				
3	1614-102-011-00	INSULATOR	2		*		*				
4	1620-102-520-00	NET/WIRE COMP	1		*		*				
5	1614-102-213-00	CAP	1		*		*				
5	1614-102-214-00	HOSE	1		*		*				
7	V210-360-601-20	BOLT, SEMS	4		*		*				
8	1614-102-006-00	INSULATOR	1		*		*				
9	V201-360-801-20	BOLT/M8X12	4		*		*				
10	V401-160-008-00	WASHER, SP/M 8	4		*		*				
11	V411-260-008-00	WASHER, PL/M 8	4		*		*				
12	1614-102-001-00	HOSE/RADIATOR/INLET	1		*		*				
13	1480-102-007-00	CLAMP/40	1		*		*				
14	1427-101-011-00	CLAMP/35	1		*		*				
15	1614-102-002-00	HOSE/RADIATOR/OUTLET	1		*		*				
16	1480-102-005-00	CLIP	1		*		*				
17	1480-103-007-00	CLAMP/40	1		*		*				
18	1614-102-003-00	HOSE/205	1		*		*				
19	580-104-006-60	HOSE/290	1		*		*				
20	1417-102-005-00	BAND, HOSE	4		*		*				
21	1580-104-010-40	CONNECTOR	1		*		*				
22	1424-101-203-00	PLUG	1		*		*				
23	1424-101-204-00	PACKING	1		*		*				
24	V211-360-804-00	BOLT	1		*		*				
25	1617-102-006-00	HUB/09X14X20	1		*		*				



FIG. 2 RADIATOR SYSTEM (MD,MDU TYPE)



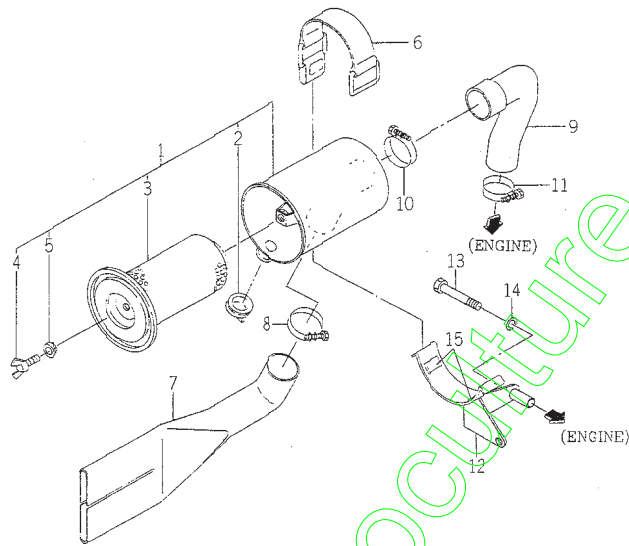
1621-1624

KEY	PART CODE	DESCRIPTION	QTY	TYPE OF MODEL				I T	C O L	S R P	REMARKS
				TF317F	TF317FH	TF321F	TF321FH				
1	1614-102-200-00	RADIATOR ASSY	1	*		*					
2	1614-102-220-00	SHROUD COMP	1	*		*					
3	1614-102-011-00	INSULATOR	2	*		*					
4	1614-102-212-00	NET/WIRE COMP	1	*		*					
5	1614-102-213-00	CAP	1	*		*					
6	1614-102-214-00	HOSE	1	*		*					
7	V210-360-801-20	BOLT, SEMS	4	*		*					
8	1614-102-006-00	INSULATOR	1	*		*					
9	V201-360-801-20	BOLT M8X12	4	*		*					
10	V401-160-008-00	WASHER, SF/M 8	4	*		*					
11	V411-260-008-00	WASHER, PL/M 8	4	*		*					
12	1614-102-001-00	HOSE/RADIATOR/INLET	1	*		*					
13	1480-102-097-00	CLAMP/40	1	*		*					
14	1427-101-011-00	CLAMP/35	1	*		*					
15	1614-102-002-00	HOSE/RADIATOR/OUTLET	1	*		*					
16	1480-102-005-00	CLIP	1	*		*					
17	1480-102-007-00	CLAMP/40	1	*		*					
18	1614-102-003-00	HOSE/205	1	*		*					
19	1560-104-006-60	HOSE/290	1	*		*					
20	1417-102-005-00	BAND, HDSE	4	*		*					
21	1560-104-010-40	CONNECTDR	1	*		*					
22	1424-101-203-00	PLUG	1	*		*					
23	1424-101-204-00	PACKING	1	*		*					
24	V211-360-804-00	BOLT	1	*		*					
25	1617-102-006-00	HUB/09X14X20	1	*		*					





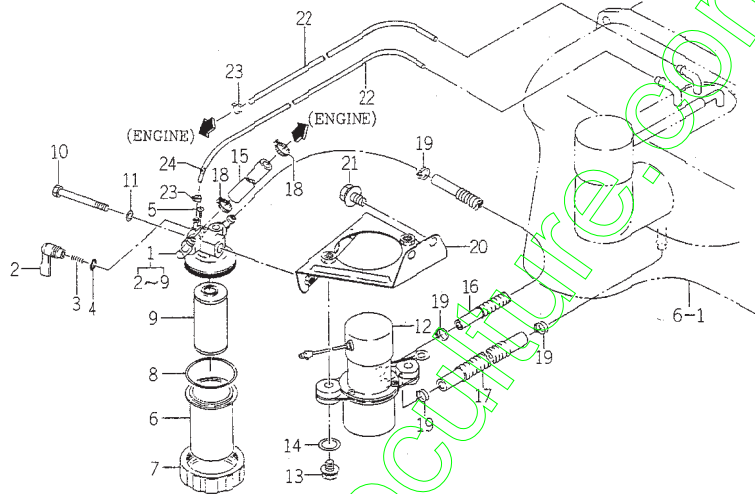
FIG. 4 AIR CLEANER SYSTEM



1616-16/

KEY	PART CODE	DESCRIPTION	QTY	TYPE OF MODEL				I	C	O	L	G	R	REMARKS
				TF317F	TF317FH	TF321F	TF321FH							
1	1616-104-200-00	CLEANER/AIR ASSY		*	*	*	*							
2	1544-104-205-00	VALVE		*	*	*	*							
3	3656-301-213-00	ELEMENT, PAPER	1	*	*	*	*							
4	V271-160-602-50	BOLT/M6X25		*	*	*	*							
5	1544-104-204-00	PACKING	1	*	*	*	*							
6	1614-104-001-00	BAND/CLEANER	1	*	*	*	*							
7	1614-104-002-00	PIPE/CLEANER/INLET	1	*	*	*	*							
8	3621-304-003-00	CLIP/56	1	*	*	*	*							
9	1614-104-003-00	PIPE/CLEANER/OUTLET	1	*	*	*	*							
10	3621-304-001-00	CLIP	1	*	*	*	*							
11	3621-304-003-00	CLIP/56	1	*	*	*	*							
12	1616-104-210-00	BRACKET/CLEANER COMP	1	*	*	*	*							
13	V201-260-808-00	BOLT/M 8X80	1	*	*	*	*							
14	V401-160-008-00	WASHER, SP/M 8	1	*	*	*	*							
15	1427-111-229-00	CUSHION, RUBBER	2	*	*	*	*							

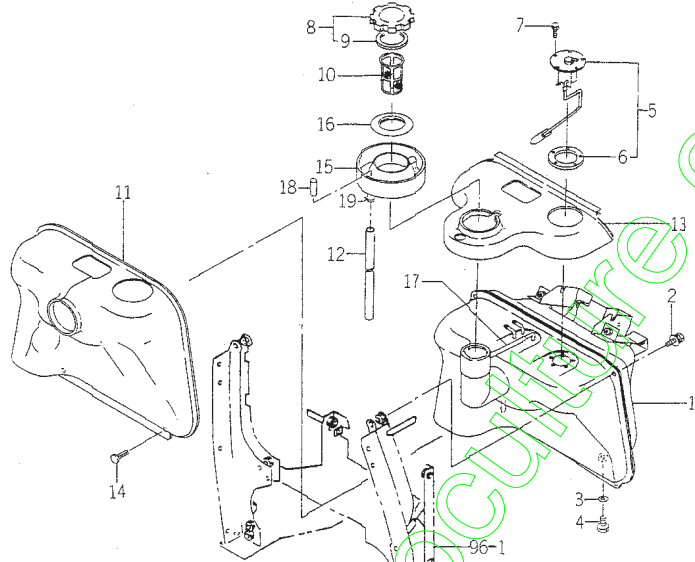
FIG. 5 FILTER SYSTEM



KEY	PART CODE	DESCRIPTION	QTY	TYPE OF MODEL				I T C	C O L	G R P	REMARKS
				TF317F	TF317FH	TF321F	TF321FH				
1	1614-105-200-00	FILTER ASSY	1	*	*	*	*				
2	1444-102-202-00	LEVER	1	*	*	*	*				
3	1415-102-007-00	SPRING, VALVE	1	*	*	*	*				
4	V720-102-401-00	O-RING/PTGA	1	*	*	*	*				
5	1415-102-008-00	VIS	1	*	*	*	*				
5	1415-102-009-00	CUP	1	*	*	*	*				
7	1444-102-204-00	NUT, RING	1	*	*	*	*				
8	V720-103-504-40	O-RING/P44	1	*	*	*	*				
9	1415-102-011-00	ELEMENT	1	*	*	*	*				
10	V201-260-806-50	BOLT/M BX65	1	*	*	*	*				
11	V401-160-008-00	WASHER, SP/M 8	1	*	*	*	*				
12	3656-271-310-00	PUMP/FUEL ASSY	1	*	*	*	*				
13	V210-360-603-00	BOLT/SP	2	*	*	*	*				
14	3560-503-302-00	WASHER, WIRE TENSION	2	*	*	*	*				
15	1560-102-003-20	HOSE/110	1	*	*	*	*				
16	1575-105-001-00	HOSE	1	*	*	*	*				
17	1614-105-003-00	HOSE/06X10X250	1	*	*	*	*				
18	3788-164-008-00	BAND/14	2	*	*	*	*				
19	1444-102-003-00	BAND, HOSE	4	*	*	*	*				
20	1614-105-240-00	BRACKET/PUMP COMP	1	*	*	*	*				
21	V211-360-801-60	BOLT, SEMS (SF)	2	*	*	*	*				
22	1612-105-002-00	HOSE/650	2	*	*	*	*				
23	3632-360-008-00	CLIP, HOSE	2	*	*	*	*				
24	3640-586-004-00	RESISTANCE/1.0	1	*	*	*	*				



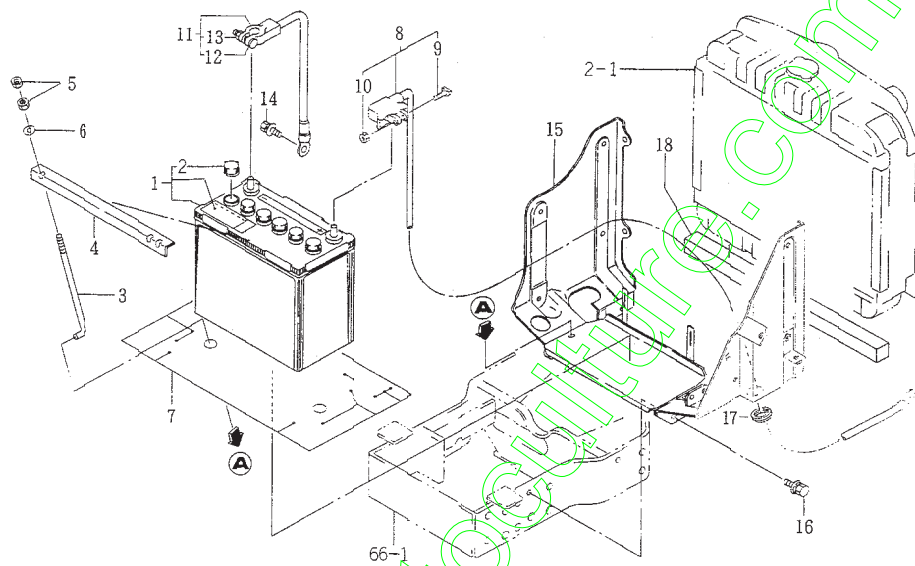
FIG. 6 FUEL TANK SYSTEM



1620-111

KEY	PART CODE	DESCRIPTION	QTY	TYPE OF MODEL				I T C	C O L	G R P	REMARKS
				1F317F	TF317FH	TF321F	TF321FH				
1	1620-111-200-00	TANK/FUEL COMP	1	*	*	*	*				
2	V211-360-801-60	BOLT, SEMS (SP)	6	*	*	*	*				
3	1407-111-001-00	WASHER/8X12X2	1	*	*	*	*				
4	V201-260-801-20	BOLT/M 8X12	1	*	*	*	*				
5	1614-111-210-00	GAUGE/FUEL ASSY	1	*	*	*	*				
6	1416-621-037-00	PACKING/RUBBER	1	*	*	*	*				
7	V200-260-501-08	BOLT/SEAL	5	*	*	*	*				
8	1640-111-200-00	CAP/TANC ASSY	1	*	*	*	*				
9	1640-111-202-00	GASKET	1	*	*	*	*				
10	1620-111-004-00	FILTER/FUEL	1	*	*	*	*				
11	1614-111-001-20	INSULATOR	1	*	*	*	*				
12	1614-111-002-10	HOSE/03X07X800	1	*	*	*	*				
13	1614-111-003-10	PLATE/TANK	1	*	*	*	*				
14	1527-604-002-00	CLIP (B)	2	*	*	*	*				
15	1614-111-004-10	CUP/FUEL	1	*	*	*	*				
16	1640-111-001-00	INSULATOR/TANK	1	*	*	*	*				
17	1614-111-005-00	HOSE/04X08X110	1	*	*	*	*				
18	1599-782-106-10	COLLAR/07X12X46	1	*	*	*	*				
19	-	WIRE	2	*	*	*	*				

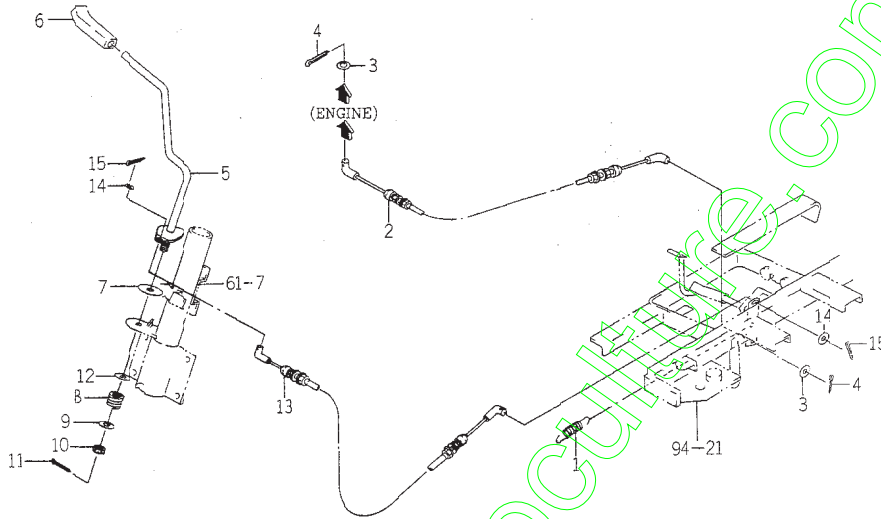
FIG. 7 BATTERY SYSTEM



1820-112

KEY	PART CODE	DESCRIPTION	QTY	TYPE OF MODEL				I T C	C O L	G R P	REMARKS
				TF317F	TF317FH	TF321F	TF321FH				
1	1434 - 621 - 210 - 20	BATTERY ASSY	1	*	*	*	*				YUNS-60N-F00-01
2	1427 - 621 - 002 - 10	CAP, BATTERY	6	*	*	*	*				
3	1593 - 112 - 002 - 50	BOLT, BATTERY	2	*	*	*	*				
4	1614 - 112 - 003 - 00	PLATE/BATTERY	1	*	*	*	*				
5	V301 - 260 - 006 - 00	NUT/M 6	4	*	*	*	*				
6	V411 - 260 - 006 - 00	WASHER / M6	2	*	*	*	*				
7	1637 - 112 - 001 - 00	INSULATOR	1	*	*	*	*				
8	1480 - 112 - 003 - 10	CABLE, BATTERY	1	*	*	*	*				
9	1600 - 112 - 231 - 00	BOLT/M06X32	1	*	*	*	*				
10	1600 - 112 - 232 - 00	NUT/M06	1	*	*	*	*				
11	1579 - 112 - 230 - 00	CABLE, EARTH	1	*	*	*	*				
12	1600 - 112 - 231 - 00	BOLT/M06X32	1	*	*	*	*				
13	1600 - 112 - 232 - 00	NUT/M06	1	*	*	*	*				
14	V211 - 361 - 002 - 00	BOLT, SEWS	1	*	*	*	*				
15	1620 - 112 - 200 - 00	BRACKET/BATTERY COMP	1	*	*	*	*				
16	V211 - 360 - 001 - 60	BOLT, SEWS (SP)	6	*	*	*	*				
17	1614 - 520 - 012 - 00	GROMMET/30	1	*	*	*	*				
18	1637 - 102 - 001 - 00	INSULATOR	1	*	*	*	*				

FIG. 8 LEVER (ACCELL) / PEDAL (ACCELL) SYSTEM (MD, MDU TYPE)

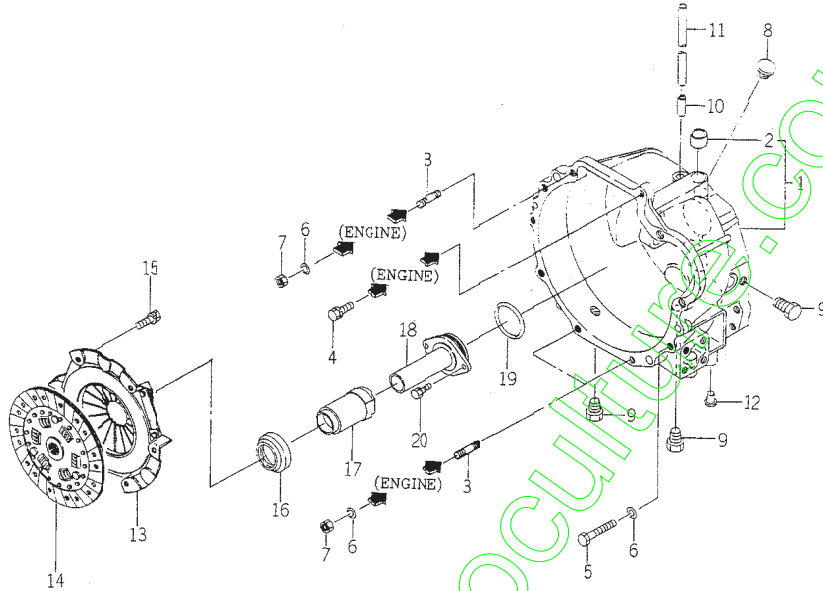


1514-115

KEY	PART CODE	DESCRIPTION	QTY	TYPE OF MODEL				I T C	C O L	G R P	REMARKS
				TF817F	TF317FH	TF321F	TF321FH				
1	1414-312-002-00	SPRING, TENSION/53	1	*		*					
2	1614-116-210-00	CABLE ASSY	1	*		*					
3	V411-260-006-00	WASHER / M6	2	*		*					
4	V500-162-002-00	PIN, SPLIT/2 X20	2	*		*					
5	1620-117-200-00	LEVER COMP	1	*		*					
6	1614-117-001-00	GRIP/THROTTLE	1	*		*					
7	1600-117-002-00	LINING/11X40X03	1	*		*					
8	1404-117-008-00	SPRING, PRESS/22	1	*		*					
9	V411-260-010-00	WASHER/M10	1	*		*					
10	V328-262-110-00	NUT	1	*		*					
11	V500-162-502-50	PIN, SPLIT/2.5X25	1	*		*					
12	3610-440-018-00	WASHER	1	*		*					
13	1614-117-210-00	CABLE ASSY	1	*		*					
14	V411-260-006-00	WASHER / M6	2	*		*					
15	V500-162-002-00	PIN, SPLIT/2 X20	2	*		*					



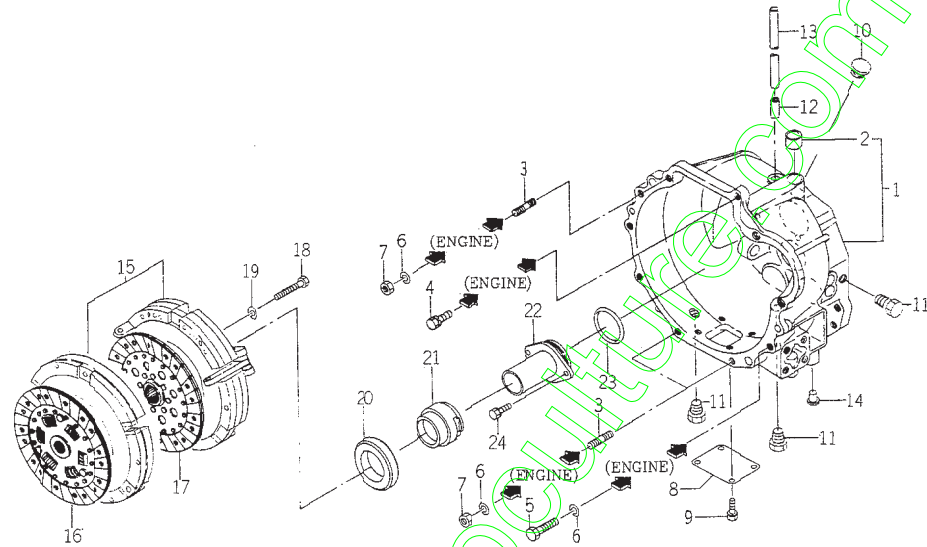
FIG. 10 MAIN CLUTCH SYSTEM (M,MU TYPE)



1637-120

KEY	PART CODE	DESCRIPTION	QTY	TYPE OF MODEL				I T C	C O L	G R P	REMARKS
				TF317E	TF317FH	TF321F	TF321FH				
1	1614-120-240-00	HOUSING/CLUTCH ASSY	1	*	*	*	*				
2	1560-314-291-00	BUSH/16X18X15	1	*	*	*	*				
3	V251-341-005-00	BOLT/STUD	3	*	*	*	*				
4	V211-561-003-00	BOLT/M10X30	1	*	*	*	*				
5	V201-361-006-00	BOLT	4	*	*	*	*				
6	V401-160-010-00	WASHER, SP/M10	7	*	*	*	*				
7	V304-460-010-00	NUT/M10	3	*	*	*	*				
8	7963-208-004-00	CAP, OIL 23	1	*	*	*	*				
9	7955-201-026-00	PLUG, DRAIN (1/4)	3	*	*	*	*				
10	1544-120-008-10	PIPE/BREATHER	1	*	*	*	*				
11	1614-120-005-00	HOSE/400	1	*	*	*	*				
12	1427-120-002-00	CAP, BLANK/M10	4	*	*	*	*				
13	1600-120-230-00	CLUTCH ASSY	1	*	*	*	*				
14	1614-120-220-00	DISC/CLUTCH/184 COMP	1	*	*	*	*				
15	V211-260-302-00	BOLT, SEMS (S)	6	*	*	*	*				
16	1614-120-002-00	BEARING/RELEASE	1	*	*	*	*				
17	1637-120-001-00	SLEEVE/RELEASE	1	*	*	*	*				
18	1637-120-002-00	GUIDE/SLEEVE/RELEASE	1	*	*	*	*				
19	V721-103-103-00	O-RING/G60	1	*	*	*	*				
20	V211-260-302-00	BOLT, SEMS (S)	2	*	*	*	*				

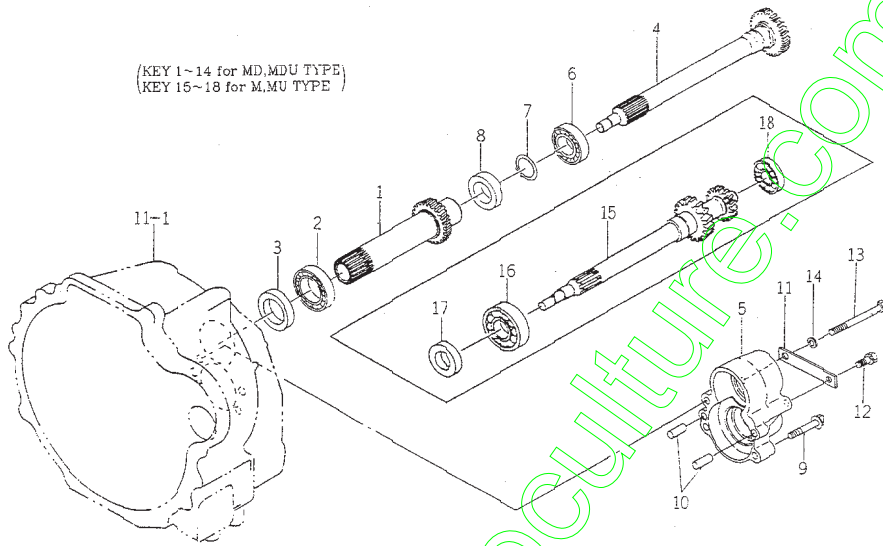
FIG. 11 DUAL CLUTCH SYSTEM (MD,MDU TYPE)



1620-01

KEY	PART CODE	DESCRIPTION	QTY	TYPE OF MODEL				I T C	C O L	G R D	REMARKS
				TF317F	TF317FH	TF321F	TF321FH				
1	1620-121-240-00	HOUSING/CLUTCH	1	*		*					
2	1560-314-291-00	BUSH/16X18X15	1	*		*					
3	V251-341-005-00	BOLT/STUD	3	*		*					
4	V211-561-003-00	BOLT/M10X30	1	*		*					
5	V201-361-006-00	BOLT	4	*		*					
6	V401-160-010-00	WASHER, SP/M10	7	*		*					
7	V304-460-010-00	NUT/M10	3	*		*					
8	1620-121-004-00	PLATE	1	*		*					
9	V211-260-801-60	BOLT, SEMS (S) M8X16	4	*		*					
10	7963-208-004-00	CAP, OIL 23	1	*		*					
11	7955-201-026-00	PLUG, DRAIN (1/4)	3	*		*					
12	1544-120-008-10	PIPE, BREATHER	1	*		*					
13	1614-120-005-00	HOSE/400	1	*		*					
14	1427-120-002-00	CAP, BLANK/M10	4	*		*					
15	1620-121-250-00	COVER/CLUTCH ASSY	1	*		*				FIG 115	
16	1617-120-220-00	DISK/CLUTCH/215 COMP	1	*		*					
17	1620-121-210-00	DISK/CLUTCH/PTO COMP	1	*		*					
18	6209-037-012-00	BOLT	6	*		*					
19	V401-160-008-00	WASHER, SP/M 8	6	*		*					
20	1415-120-004-00	BEARING, CT55BL1	1	*		*					
21	1620-121-001-00	SLEEVE/RELEASE	1	*		*					
22	1620-121-002-00	GUIDE/SLEEVE/RELEASE	1	*		*					
23	V721-103-106-00	O-RING/G60	1	*		*					
24	V211-260-802-00	BOLT, SEMS (S)	2	*		*					

FIG. 12 INPUT GEAR SYSTEM



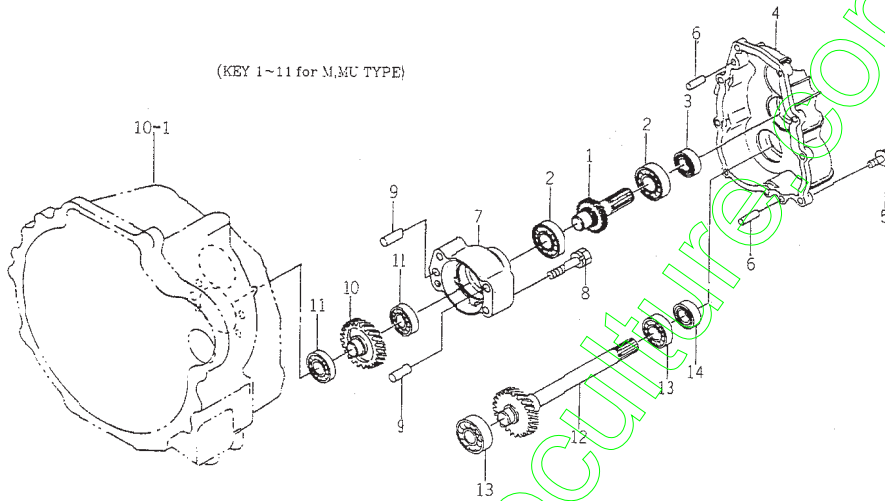
1620-185

KEY	PART CODE	DESCRIPTION	QTY	TYPE OF MODEL				I T C	C O L	G R P	REMARKS
				TF317F	TF317FH	TF321F	TF321FH				
1	1620-125-001-00	GEAR/HELICAL/21	1	*		*					
2	1617-244-004-00	BEARING/BALL	2	*		*					
3	V744-135-500-80	SEAL, OIL/TC355008	2	*		*					
4	1620-125-002-00	GEAR/HELICAL/22	1	*		*					
5	1620-125-003-00	METAL	1	*		*					
6	V600-110-600-80	BEARING, RB 6006	1	*		*					
7	V704-140-030-00	RING, SNAP/80 C	1	*		*					
8	V744-130-450-80	SEAL, OIL/TC30458	1	*		*					
9	V211-360-804-50	BOLT/SP	2	*		*					
10	V520-101-002-20	PIN, ST/10X22	2	*		*					
11	1620-125-004-00	PLATE/L/19X97	1	*		*					
12	V211-260-801-60	BOLT, SEMS (S) M8X16	1	*		*					
13	V201-260-808-50	BOLT/M 8X85	1	*		*					
14	V401-160-008-00	WASHER, SP/M 8	1	*		*					
15	1620-125-051-00	GEAR/HELICAL/21-17	1		*		*				
16	1617-244-004-00	BEARING/BALL	1		*		*				
17	V744-135-500-80	SEAL, OIL/TC355008	1		*		*				
18	3687-105-001-00	BEARING	1		*		*				





FIG. 14 DRIVE GEAR (HST)/PTO DRIVE GEAR SYSTEM



1620-124

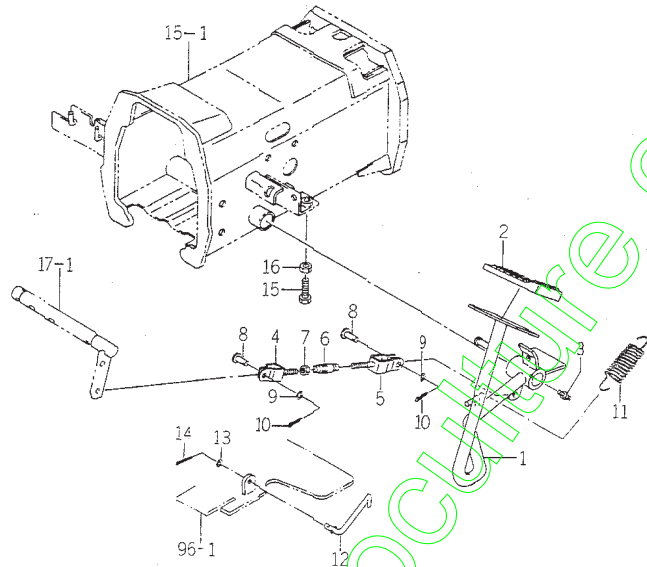
KEY	PART CODE	DESCRIPTION	QTY	TYPE OF MODEL				I	T	C	G	REMARKS
				TF317F	TF317FH	TF321F	TF321FH					
1	1620-127-051-00	GEAR/HELICAL/15	1	*			*					
2	1564-263-006-00	BEARING/BALL	2	*			*					
3	V744-120-350-70	SEAL, OIL/TC20357	1	*			*					
4	1620-127-052-00	METAL/INPUT	1	*			*					
5	V211-360-803-00	BOLT/M8X30	9	*			*					
6	V520-101-002-20	PIN, ST/10X22	2	*			*					
7	1620-127-053-00	METAL	1	*			*					
8	V211-260-805-50	BOLT/(S)M8X55	3	*			*					
9	V520-101-002-20	PIN, ST/10X22	2	*			*					
10	1620-126-002-00	GEAR/HELICAL/25	1	*			*					
11	3673-701-006-00	BEARING/BALL	2	*			*					
12	1620-128-002-00	GEAR/HELICAL/25	1	*	*	*	*					
13	1600-211-052-00	BEARING/BALL	2	*	*	*	*					
14	V744-120-350-70	SEAL, OIL/TC20357	1	*	*	*	*					







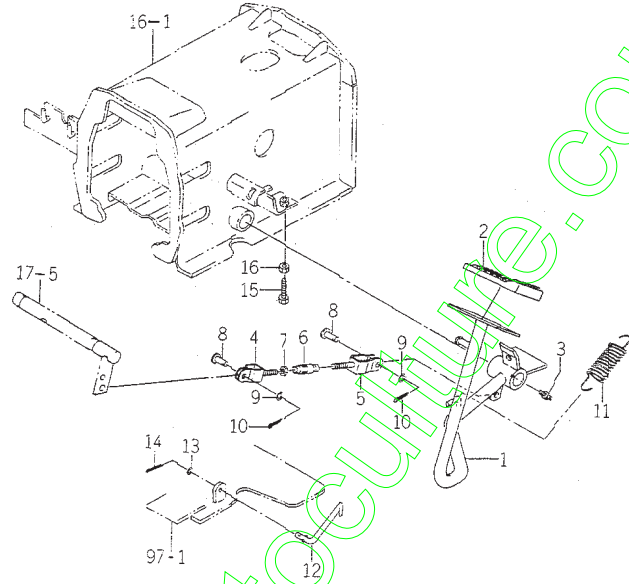
FIG. 18 PEDAL (CLUTCH/W) SYSTEM (MD,MDU TYPE)



1820-135

KEY	PART CODE	DESCRIPTION	QTY	TYPE OF MODEL				I T C	C O L	G R P	REMARKS
				TF317F	TF317FH	TF321F	TF321FH				
1	1620-135-200-10	PEDAL/CLUTCH COMP	1	*							
2	1524-122-001-00	PAD	1	*		*					
3	V783-150-000-00	NIPPLE, GREASE/PT1/8	1	*		*					
4	1444-122-230-10	ROD, CLUTCH A COMP	1	*		*					
5	1614-135-210-00	SCREW/RH COMP	1	*		*					
6	1444-122-002-00	TURNBUCKLE/M8	1	*		*					
7	V304-260-008-00	NUT/M 8	1	*		*					
8	1432-242-001-00	PIN	2	*		*					
9	V411-260-008-00	WASHER, PL/M 8	2	*		*					
10	V500-162-002-00	PIN, SPLIT/2 X20	2	*		*					
11	3650-741-002-00	SPRING/HE90	1	*		*					
12	1620-135-001-00	BOB/CUTOFF	1	*		*					
13	V411-260-006-00	WASHER / M6	1	*		*					
14	V500-162-002-00	PIN, SPLIT/2 X20	1	*		*					
15	V201-260-803-50	BOLT/M 8X35	1	*		*					
16	V304-260-008-00	NUT/M 8	1	*		*					

FIG. 19 PEDAL (CLUTCH/S) SYSTEM (M,MU TYPE)



1620-133A

KEY	PART CODE	DESCRIPTION	QTY	TYPE OF MODEL				I T C	C O L	G R P	REMARKS
				TF317F	TF317FH	TF321F	TF321FH				
1	1620-135-200-10	PEDAL/CLUTCH COMP	1		*		*				
2	1524-122-001-00	PAD	1		*		*				
3	V763-150-000-00	NIPPLE, GREASE RT1/8	1		*		*				
4	1444-122-230-10	ROD, CLUTCH A COMP	1		*		*				
5	1614-135-210-00	SCREW/RH COMP	1		*		*				
6	1444-122-002-00	TURNBUCKLE/M8	1		*		*				
7	V304-260-008-00	NUT/M 8	1		*		*				
8	1432-242-001-00	PIN	2		*		*				
9	V411-260-008-00	WASHER, PL/M 8	2		*		*				
10	V500-162-002-00	PIN, SPLIT/2 X20	2		*		*				
11	3650-741-002-00	SPRING/HE90	1		*		*				
12	1620-135-001-00	ROD/CUTOFF	1		*		*				
13	V411-260-006-00	WASHER / M6	1		*		*				
14	V500-162-002-00	PIN, SPLIT/2 X20	1		*		*				
15	V201-260-803-50	BOLT/M 8X35	1		*		*				
16	V304-260-008-00	NUT/M 8	1		*		*				

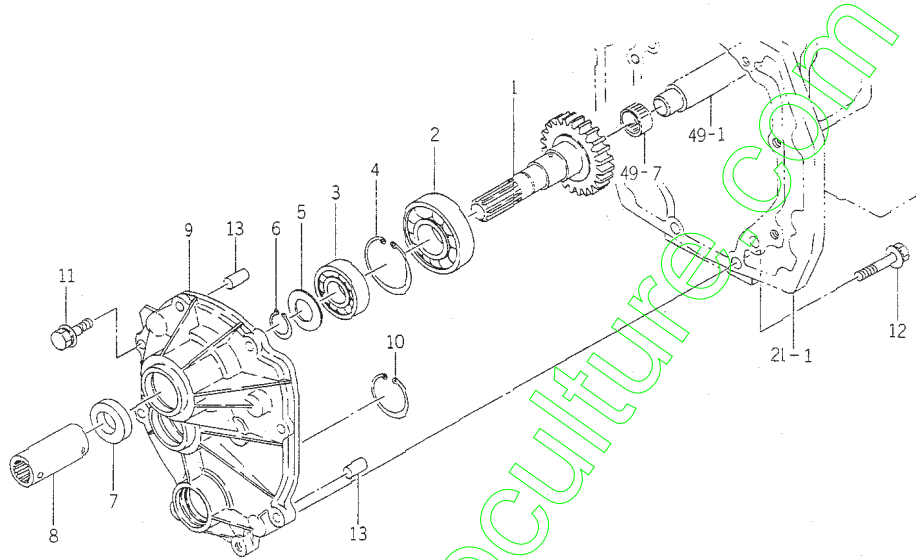








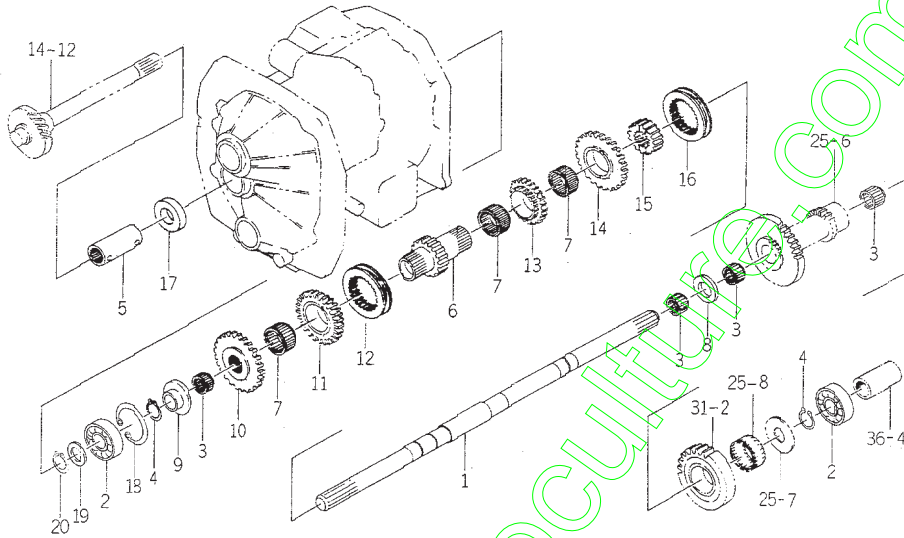
FIG. 23 INPUT GEAR (G) SYSTEM (MD,MDU TYPE)



1614-903A

KEY	PART CODE	DESCRIPTION	QTY	TYPE OF MODEL				I T C	C O L	S R P	REMARKS
				TF317F	TF317FH	TF321F	TF321FH				
1	1614-203-001-10	GEAR/SPUR/25	1	*		*					
2	1614-203-015-00	BEARING/BALL	1			*					
3	V600-110-620-40	BEARING, RB/6204	1	*		*					
4	V705-140-047-00	RING, SNAP/47 C	1	*		*					
5	1614-203-005-00	WASHER/20X36X02	1	*		*					
6	V704-140-020-00	RING, SNAP/20C	1	*		*					
7	V744-120-350-70	SEAL, OIL/TC20357	1	*		*					
8	1435-120-002-20	HUB/20X30X62	1	*		*					
9	1614-203-002-20	METAL INPUT	1	*		*					
10	1614-203-014-00	RING/SNAP/CH	1	*		*					
11	V211-360-803-00	BOLT/M8X30	6	*		*					
12	V211-360-804-00	BOLT	2	*		*					
13	V520-101-002-20	PIN, ST/10X22	2	*		*					

FIG. 24 MAIN CHANGE GEAR SYSTEM (MD, MDU TYPE)



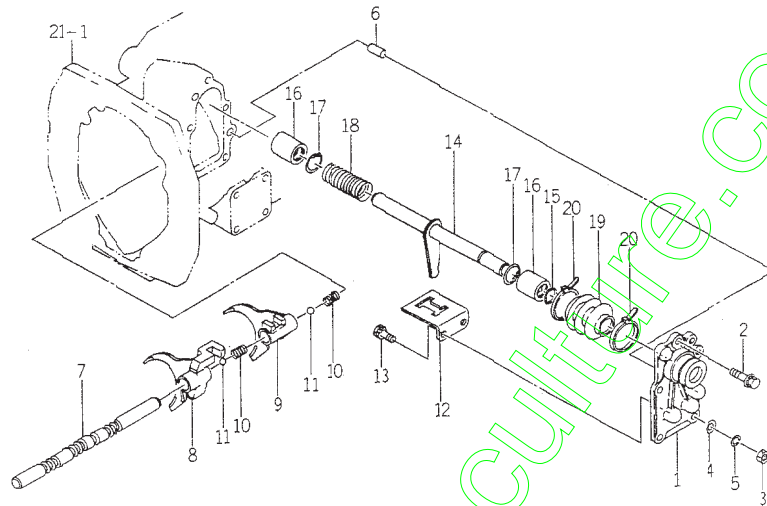
KEY	PART CODE	DESCRIPTION	QTY	TYPE OF MODEL				I T C	C O L	G R P	REMARKS
				TF317F	TF317FH	TF321F	TF321FH				
1	1620-205-001-20	SHAFT/DRIVE/PT0	1	*		*					
2	1600-211-052-00	BEARING/BALL	2	*		*					
3	1614-205-015-00	BEARING/NEEDLE	4	*		*					
4	V704-140-020-00	RING, SNAP/20C	2	*		*					
5	1435-120-002-20	HUB/20X30X62	1	*		*					
6	1620-205-002-00	SHAFT	1	*		*					
7	1614-205-014-00	BEARING/NEEDLE	3	*		*					
8	1614-203-005-00	WASHER/20X36X02	1	*		*					
9	1614-205-016-00	COLLAR/20X42X07	1	*		*					
10	1614-205-009-10	GEAR/SPUR/27	1	*		*					
11	1614-205-003-00	GEAR/SPUR/22	1	*		*					
12	1614-205-004-00	COUPLING	1	*		*					
13	1614-205-003-00	GEAR/SPUR/22	1	*		*					
14	1614-205-005-00	GEAR/SPUR/29	1	*		*					
15	1614-205-011-00	HUB/30X46X15	1	*		*					
16	1614-205-004-00	COUPLING	1	*		*					
17	V744-120-350-70	SEAL, OIL/TC20357	1	*		*					
18	V705-140-047-00	RING, SNAP/47 C	1	*		*					
19	1365-224-002-00	WASHER	1	*		*					
20	V704-140-020-00	RING, SNAP/20C	1	*		*					





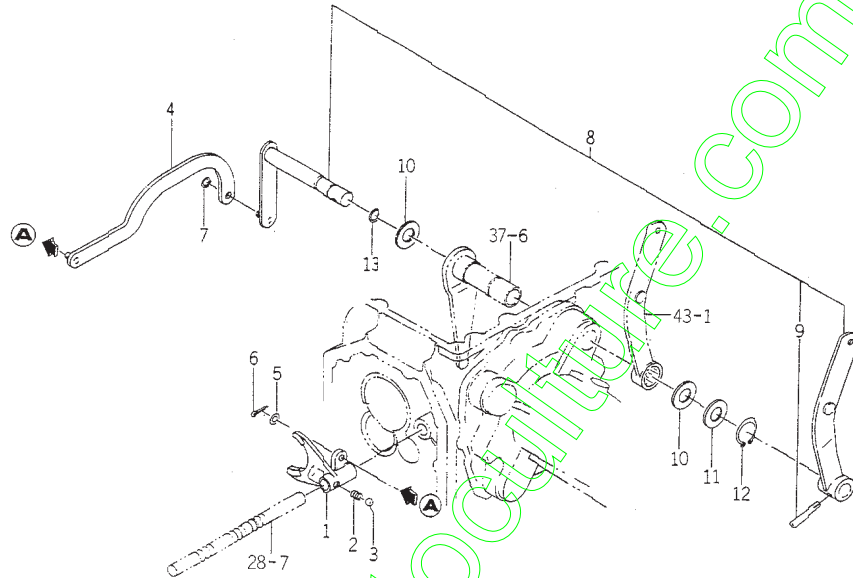


FIG. 28 MAIN CHANGE SYSTEM (MD,MDU TYPE)



KEY	PART CODE	DESCRIPTION	QTY	TYPE OF MODEL				I	T	C	G	R	REMARKS
				TF317F	TF317FH	TF321F	TF321FH						
1	1620-215-001-00	METAL/SHIFT	1	*		*							
2	V211-360-803-00	BOLT/M8X30	2	*		*							
3	V304-260-008-00	NUT/M 8	2	*		*							
4	V411-260-008-00	WASHER, PL/M 8	2	*		*							
5	V401-160-008-00	WASHER, SP/M 8	2	*		*							
6	V520-101-002-20	PIN, ST/10X22	2	*		*							
7	1614-215-002-00	STAY/SHIFT/MAIN	1	*		*							
8	1614-215-003-00	FORK/SHIFT/1ST	1	*		*							
9	1614-215-004-00	FORK/SHIFT/2ND	1	*		*							
10	1302-225-003-00	SPRING, SHIFTER	2	*		*							
11	V680-200-001-00	BALL, STEEL/5/16	2	*		*							
12	1614-215-005-00	GUIDE	1	*		*							
13	V211-260-802-00	BOLT, SEMS (S)	2	*		*							
14	1614-215-200-00	ARM COMP	1	*		*							
15	V723-101-501-40	RING/O	1	*		*							
16	1544-215-015-00	BEARING	2	*		*							
17	V705-140-028-00	RING, SNAP/28 C	2	*		*							
18	1614-215-006-00	SPRING/HCO60	1	*		*							
19	1544-215-018-00	BOOT, CHANGE	1	*		*							
20	1376-402-003-00	BAND, WIRE/140	2	*		*							

FIG. 29 SUB CHANGE SYSTEM (MD,MDU TYPE)

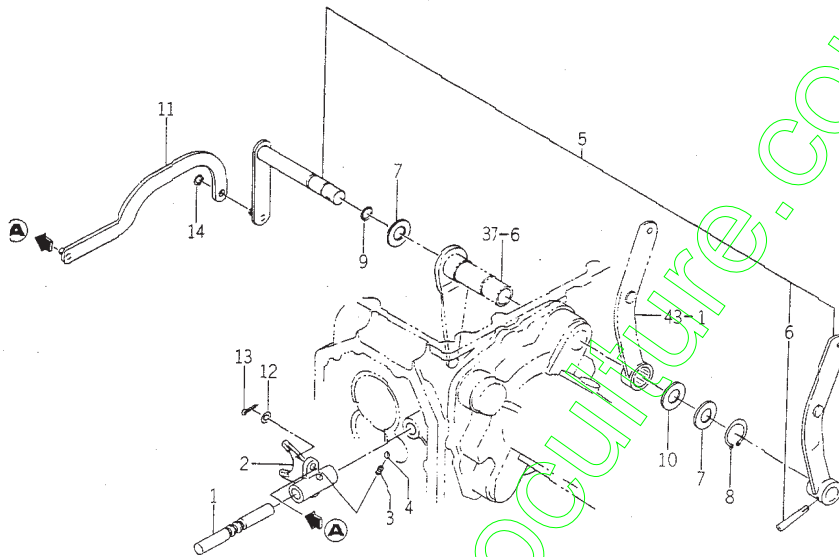


1614-216

KEY	PART CODE	DESCRIPTION	QTY	TYPE OF MODEL				I T C	C O L	G R P	REMARKS
				TF317F	TF317FH	TF321F	TF321FH				
1	1614-216-002-00	FORK/SHIFT/SUB	1	*		*					
2	1302-225-003-00	SPRING, SHIFTER	1	*		*					
3	V680-200-001-00	BALL, STEEL 5/16	1	*		*					
4	1614-216-200-00	ROD/SUB COMP	1	*		*					
5	V411-260-008-00	WASHER, PL/M, 8	1	*		*					
6	V500-162-002-00	PIN, SPL 1/2 X20	1	*		*					
7	V704-140-010-00	RING, SNAP/10 C	1	*		*					
8	1614-216-250-10	ARM/SHIFT/SUB SET	1	*		*					
9	1614-216-003-00	PIN/TAPER/06X45	1	*		*					
10	V411-260-018-00	WASHER, PL/M18	2	*		*					
11	1544-322-002-00	WASHER/30X40X2	1	*		*					
12	V704-140-018-00	RING, SNAP/18 C	1	*		*					
13	V720-102-401-40	O-RING/P14	1	*		*					



FIG. 30 SUB CHANGE (HST) SYSTEM (M,MU TYPE)



1620-216

KEY	PART CODE	DESCRIPTION	QTY	TYPE OF MODEL				I C	L C	P C	REMARKS
				TF317F	TF317FH	TF321F	TF321FH				
1	1620-216-052-00	STAY/SHIFT/SUB	1	*		*					
2	1620-216-053-00	FORK/SHIFT/SUB	1	*		*					
3	1302-225-003-00	SPRING, SHIFTER	1	*		*					
4	V680-200-001-00	BALL, STEEL/5/16	1	*		*					
5	1614-216-250-10	ARM/SHIFT/SUB SET	1	*		*					
6	1614-216-003-00	PIN/TAPER/06X45	1	*		*					
7	V411-260-018-00	WASHER, PL/M16	2	*		*					
8	V704-140-018-00	RING, SNAP/18 C	1	*		*					
9	V720-102-401-40	O-RING/F14	1	*		*					
10	1544-322-002-00	WASHER/30X40X2	1	*		*					
11	1614-216-200-00	ROD/SUB COMP	1	*		*					
12	V411-260-008-00	WASHER, PL/M 8	1	*		*					
13	V500-162-002-00	PIN, SPLIT/2 X20	1	*		*					
14	V704-140-010-00	RING, SNAP/10 C	1	*		*					

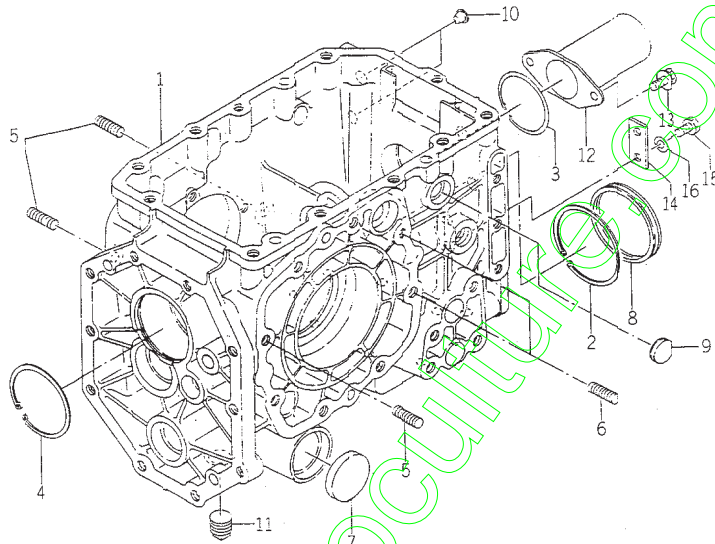








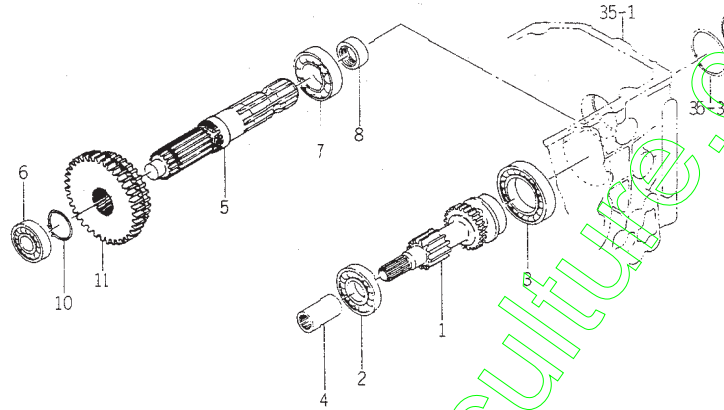
FIG. 35 REAR MISSION CASE SYSTEM



1620-241

KEY	PART CODE	DESCRIPTION	QTY	TYPE OF MODEL				I T C	C O L	G R P	REMARKS
				TF317F	TF317FH	TF321F	TF321FH				
1	1620-241-001-10	CASE/YRANSMISSION/R	1	*	*	*	*				
2	V707-140-080-00	RING/SNAP	1	*	*	*	*				
3	V707-140-062-00	RING/SNAP	1	*	*	*	*				
4	V707-140-072-00	RING/SNAP	1	*	*	*	*				
5	V251-341-003-00	BOLT/STUD	3	*	*	*	*				
6	V251-341-003-0C	BOLT/STUD	2	*	*	*	*				
7	1421-201-002-00	SEAL/47	1	*	*	*	*				
8	1617-241-003-00	PLUG/SEAL/80	1	*	*	*	*				
9	1614-241-004-00	PLUG/SEAL/25	2	*	*	*	*				
10	1427-120-002-00	CAP, BLANK/M10	4	*	*	*	*				
11	V781-160-000-8B	PLUG	1	*	*	*	*				
12	1444-314-009-10	CAP, PTO SHAFT	1	*	*	*	*				
13	V211-360-802-00	BOLT (SP) M8X20	2	*	*	*	*				
14	1614-241-003-00	PLATE/1/19X50	1	*	*	*	*				
15	V201-280-801-60	BOLT/M 8X16	2	*	*	*	*				
16	V401-160-008-00	WASHER, SP/M 8	2	*	*	*	*				

FIG. 36 PTO COUNTER GEAR/PTO SHAFT SYSTEM



1620-143

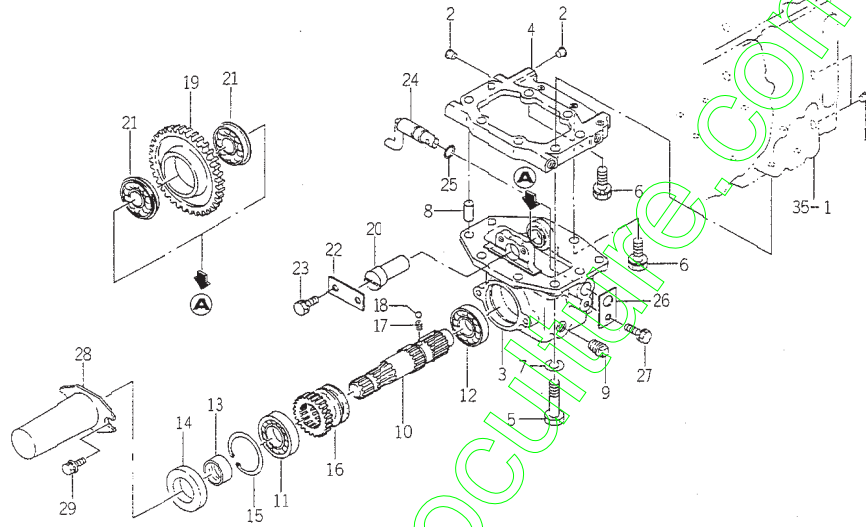
KEY	PART CODE	DESCRIPTION	QTY	TYPE OF MODEL				I T C	C O L	G R P	REMARKS
				TF317F	TF317FH	TF321F	TF321FH				
1	1620-243-001-00	GEAR/SPUR/20-13	1	*	*	*	*				
2	V600-110-630-50	BEARING, RB/6305	1	*	*	*	*				
3	V600-110-601-00	BEARING, RB/6010	1	*	*	*	*				
4	1421-134-019-00	COUPLING	1	*	*	*	*				
5	1620-244-001-00	SHAFT/PTO	1	*	*	*	*				
6	3673-701-006-00	BEARING/BALL	1	*	*	*	*				
7	1617-244-004-00	BEARING/BALL	1	*	*	*	*				
8	1602-322-003-00	SLEEVE 35X40X17	1	*	*	*	*				
9	V744-140-621-10	SEAL, O/L/TC406211	1	*	*	*	*				
10	V704-140-035-00	RING, SNAP/35 C	1	*	*	*	*				
11	1620-244-002-00	GEAR/SPUR/40-47	1	*	*	*	*				







FIG. 39 PTO (MID) SET



1620-251a

KEY	PART CODE	DESCRIPTION	QTY	TYPE OF MODEL				I T C	C O L	C O D E	REMARKS
				TF317F	TF317FH	TF321F	TF321FH				
1	1427-120-002-00	CAP. BLANK/M10	4	*	*	*	*				
2	1427-120-002-00	CAP. BLANK/M10	4	*	*	*	*				
3	1620-255-201-00	CASE/PTO/MID	1	*	*	*	*				
4	1620-255-202-00	METAL/SPACER	1	*	*	*	*				
5	V201-361-005-00	BOLT/M10X50	4	*	*	*	*				
6	V211-561-003-00	BOLT/M10X30	5	*	*	*	*				
7	V401-160-010-00	WASHER, SP/M10	4	*	*	*	*				
8	V520-101-004-00	PIN, ST/10X40	2	*	*	*	*				
9	V781-160-000-00	PLUG/SCREW/SEAL	1	*	*	*	*				
10	1620-255-204-10	SHAFT/PTO/MID	1	*	*	*	*				
11	V600-110-620-60	BEARING, RB/6206	1	*	*	*	*				
12	V600-110-620-50	BEARING, RB/6205	1	*	*	*	*				
13	1480-212-004-10	SLEEVE	1	*	*	*	*				
14	V744-135-621-00	SEAL, OIL/TC356210	1	*	*	*	*				
15	V707-140-062-00	RING/SNAP	1	*	*	*	*				
16	1620-255-205-00	GEAR/SPUR/21	1	*	*	*	*				
17	1502-225-003-00	SPRING, SHIFTER	1	*	*	*	*				
18	V660-200-001-00	BALL, STEEL/5/16	1	*	*	*	*				
19	1620-255-206-00	GEAR/SPUR/49	1	*	*	*	*				
20	1620-255-207-00	SHAFT	1	*	*	*	*				
21	1603-322-003-00	BEARING, BALL	2	*	*	*	*				
22	1569-731-103-00	PLATE/I 25X60	1	*	*	*	*				
23	V211-260-801-60	BOLT, SEMS (S) M8X16	2	*	*	*	*				
24	1620-255-220-00	ARM/SHIFT/MID COMP	1	*	*	*	*				
25	V720-102-401-40	O-RING/P14	1	*	*	*	*				



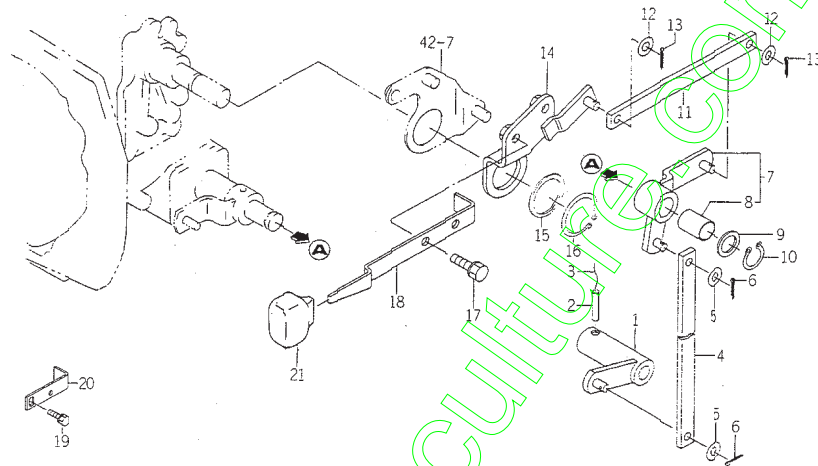








FIG. 44 CHANGE LEVER (MID PTO) SYSTEM



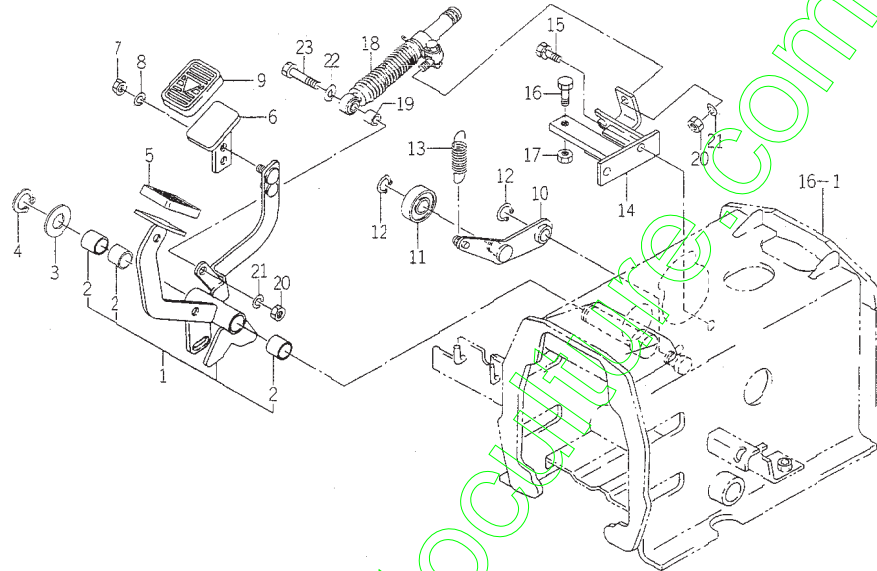
1639-255

KEY	PART CODE	DESCRIPTION	QTY	TYPE OF MODEL				I T C	C O L	G R P	REMARKS
				TF317F	TF317FH	TF321F	TF321FH				
1	1620-265-300-00	ARM/PTO/MID COMP	1	*	*	*	*				
2	V580-140-603-20	PIN, SPRING/6 X32 W	1	*	*	*	*				
3	-	WIRE	1	*	*	*	*				
4	1620-265-011-00	PLATE/L/16X390	1	*	*	*	*				
5	V411-260-008-00	WASHER, PL/M 8	2	*	*	*	*				
6	V500-162-002-00	PIN, SPLIT/2 X20	2	*	*	*	*				
7	1620-265-330-00	ARM/MID ASSY	1	*	*	*	*				
8	1518-313-109-00	BUSH /18X20X25	1	*	*	*	*				
9	2144-419-022-00	WASHER/18X26X02	1	*	*	*	*				
10	V704-140-018-00	RING, SNAP/18 C	1	*	*	*	*				
11	1620-265-012-00	PLATE/L/16X190	1	*	*	*	*				
12	V411-260-008-00	WASHER, PL/M 8	2	*	*	*	*				
13	V500-163-002-00	PIN, SPLIT/3 X20	2	*	*	*	*				
14	1620-265-320-00	ARM/MID/A COMP	1	*	*	*	*				
15	3653-108-005-00	WASHER/36X43X23	1	*	*	*	*				
16	V704-140-035-00	RING, SNAP/35 C	1	*	*	*	*				
17	V21-269-802-00	BOLT, SEMS (S)	2	*	*	*	*				
18	1620-265-013-10	LEVER/MID	1	*	*	*	*				
19	V21-260-801-60	BOLT, SEMS (S) M8X16	2	*	*	*	*				
20	1620-265-014-00	PLATE/L/25X90	1	*	*	*	*				
21	1612-531-003-00	GRIP	1	*	*	*	*				





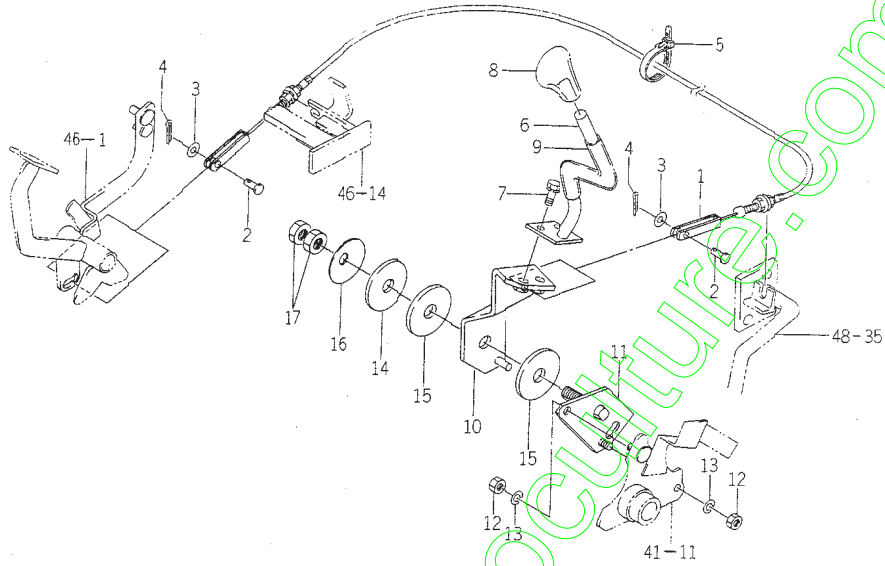
FIG. 46 PEDAL (HST) SYSTEM (M,MU TYPE)



1629-272

KEY	PART CODE	DESCRIPTION	QTY	TYPE OF MODEL				I T C	C O L	G R P	REMARKS
				TF317F	TF317FH	TF321F	TF321FH				
1	1620-272-550-10	PEDAL/HST SET	1	*		*					
2	3670-703-008-00	BUSH/20X23X20	3	*		*					
3	V411-260-020-00	WASHER/M20	1	*		*					
4	V704-140-020-00	RING, SNAP/20C	1	*		*					
5	1620-272-051-00	PAD	1	*		*					
6	1620-272-570-00	PEDAL/HST/REVERSE	1	*		*					
7	V304-260-008-00	NUT/M 8	1	*		*					
8	V401-160-008-00	WASHER, SP/M 8	1	*		*					
9	1620-272-051-00	PAD	1	*		*					
10	1620-272-580-00	ARM COMP	1	*		*					
11	1620-272-053-00	BEARING/BALL	1	*		*					
12	V704-140-015-00	RING, SNAP/15 C	2	*		*					
13	3856-565-006-00	SPRING/HE066	1	*		*					
14	1620-272-590-10	BRACKET/WIRE COMP	1	*		*					
15	V211-260-802-00	BOLT, SEWS (S)	2	*		*					
16	V201-260-802-50	BOLT/M BX25	1	*		*					
17	V304-260-008-00	NUT/M 8	1	*		*					
18	1600-240-550-10	DAMPER/DIL ASSY	1	*		*					
19	V564-560-005-00	COLLAR/D9X14X10	1	*		*					
20	V304-260-008-00	NUT/M 8	2	*		*					
21	V401-160-008-00	WASHER, SP/M 8	2	*		*					
22	V411-260-008-00	WASHER, PL/M 8	1	*		*					
23	V201-260-804-00	BOLT/M BX40	1	*		*					

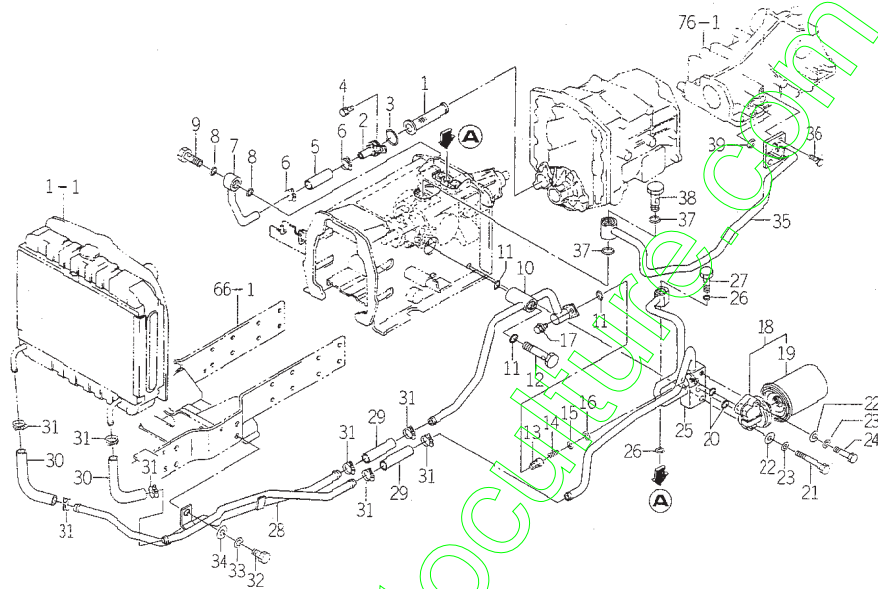
FIG. 47 LEVER (HST) SYSTEM (M,MU TYPE)



1620-271A

KEY	PART CODE	DESCRIPTION	QTY	TYPE OF MODEL				I T C	C O L	G R E D	REMARKS
				TF317E	TF317FH	TF321F	TF321FH				
1	1620-272-052-10	CABLE/HST	1	*		*					
2	1620-313-004-00	PIN/Ø8X19	2	*		*					
3	V411-260-008-00	WASHER, PL/M 8	2	*		*					
4	V500-162-502-00	PIN, SPLIT/2. 5X20	2	*		*					
5	1376-402-003-00	BAND, WIRE/140	1	*		*					
6	1620-272-600-00	LEVER/BAR/14	COMP	1	*	*					
7	V211-260-802-00	BOLT, SEMS (S)	2	*		*					
8	1614-261-003-00	GRIP/MAIN	1	*		*					
9	1544-215-004-00	TUBE/14X130	1	*		*					
10	1620-272-520-00	LEVER/HST	COMP	1	*	*					
11	1620-272-530-10	HOLDER/LEVER	COMP	1	*	*					
12	V304-260-008-00	NUT/M 8	2	*		*					
13	V401-160-008-00	WASHER, SP/M 8	2	*		*					
14	3747-155-013-00	SLIPPER, BRAKE B	1	*		*					
15	1636-271-006-00	LINING/17X64X05	2	*		*					
16	3650-212-001-00	ARM, HST LEVER	1	*		*					
17	V304-260-014-00	NUT	2	*		*					

FIG. 48 PIPING (HST) SYSTEM (M,MU TYPE)



1620-273

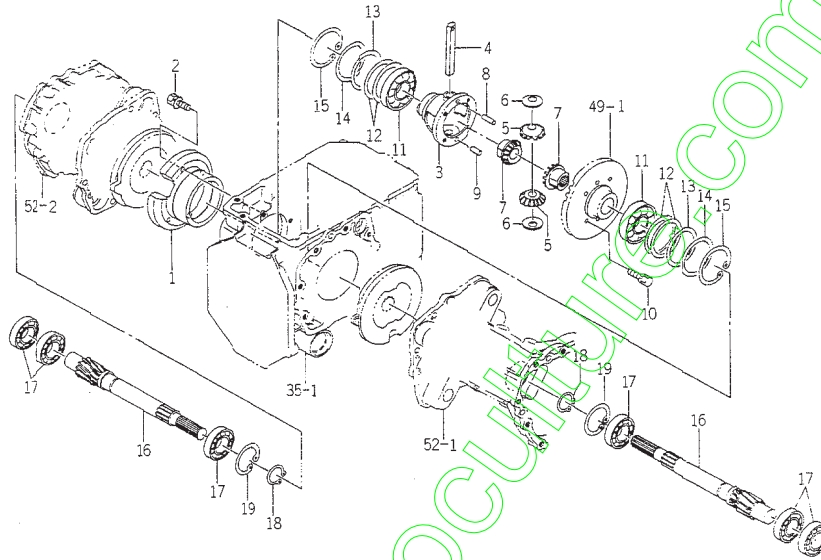
KEY	PART CODE	DESCRIPTION	QTY	TYPE OF MODEL				I T C	C O L	G R O U P	REMARKS
				TF317F	TF317FH	TF321F	TF321FH				
1	1620-273-570-00	FILTER COMP	1	*	*	*					
2	1620-273-500-00	PIPE/SUCTION COMP	1	*	*	*					
3	V720-103-502-80	O-RING/P28	1	*	*	*					
4	V211-260-801-60	BOLT, SEMS (S) M8X16	1	*	*	*					
5	1435-201-012-10	HOSE/70	1	*	*	*					
6	3768-185-016-00	BAND/22	2	*	*	*					
7	1620-273-510-00	PIPE/SUCTION COMP	1	*	*	*					
8	V720-102-401-80	O-RING/P18	2	*	*	*					
9	1435-201-004-00	BOLT, CONNECTOR(38)	1	*	*	*					
10	1620-273-520-00	PIPE/BOOST COMP	1	*	*	*					
11	V720-102-401-80	O-RING/P18	3	*	*	*					
12	1620-273-051-00	CONNECTOR/M16X79	1	*	*	*					
13	1600-243-055-00	POPPET	1	*	*	*					
14	1600-243-056-00	SPRING/HCO21	1	*	*	*					
15	1600-243-057-00	SHIM/07X14X01	1	*	*	*					
16	V705-146-015-00	RING, SNAP/15 C	1	*	*	*					
17	V211-260-801-60	BOLT, SEMS (SP)	1	*	*	*					
18	1554-515-200-20	FILTER ASSY	1	*	*	*					
19	1600-515-272-00	CARTRIDGE	1	*	*	*					
20	V720-102-402-00	O-RING/P20	2	*	*	*					
21	V201-261-009-00	BOLT/M10X90	1	*	*	*					
22	V411-260-010-00	WASHER/M10	2	*	*	*					
23	V401-160-010-00	WASHER, SP/M10	2	*	*	*					
24	V201-261-005-00	BOLT/M10X50	1	*	*	*					
25	1620-273-530-00	PIPE/RETURN COMP	1	*	*	*					







FIG. 51 DIFF CASE SYSTEM



1614-384

KEY	PART CODE	DESCRIPTION	QTY	TYPE OF MODEL				I T C	C O L	C O D	REMARKS
				TF317F	TF317FH	TF321F	TF321FH				
1	1614-304-001-00	METAL/DIFF	1	*	*	*	*				
2	V2'1-360-802-50	BOLT, SEMS	4	*	*	*	*				
3	1614-304-002-10	CASE/DIFF	1	*	*	*	*				
4	1444-411-006-00	SHAFT, DIFF PINION	1	*	*	*	*				
5	1614-304-003-00	GEAR/BEVEL/12	2	*	*	*	*				
6	1614-304-014-00	WASHER	2	*	*	*	*				
7	1614-304-005-10	GEAR/BEVEL/14	2	*	*	*	*				
8	1544-304-007-00	PIN STRAIGHT, A	1	*	*	*	*				
9	V520-100-801-40	PIN, ST/ 8X14	1	*	*	*	*				
10	V211-560-802-50	BOLT, SEMS/M8X25 7T	4	*	*	*	*				
11	V600-110-801-00	BEARING, RB/6010	2	*	*	*	*				
12	1614-304-006-00	SHIM/O. 2	4	*	*	*	*				
13	1614-304-007-00	SHIM/O. 1	2	*	*	*	*				
14	1614-304-008-00	WASHER/68X80X02	2	*	*	*	*				
15	V707-140-080-00	RING/SNAP	2	*	*	*	*				
16	1614-304-009-00	GEAR/HELICAL/11	2	*	*	*	*				
17	V600-110-620-60	BEARING, RB/6206	6	*	*	*	*				
18	V704-140-030-00	RING, SNAP/30 C	2	*	*	*	*				
19	V707-140-062-00	RING/SNAP	2	*	*	*	*				



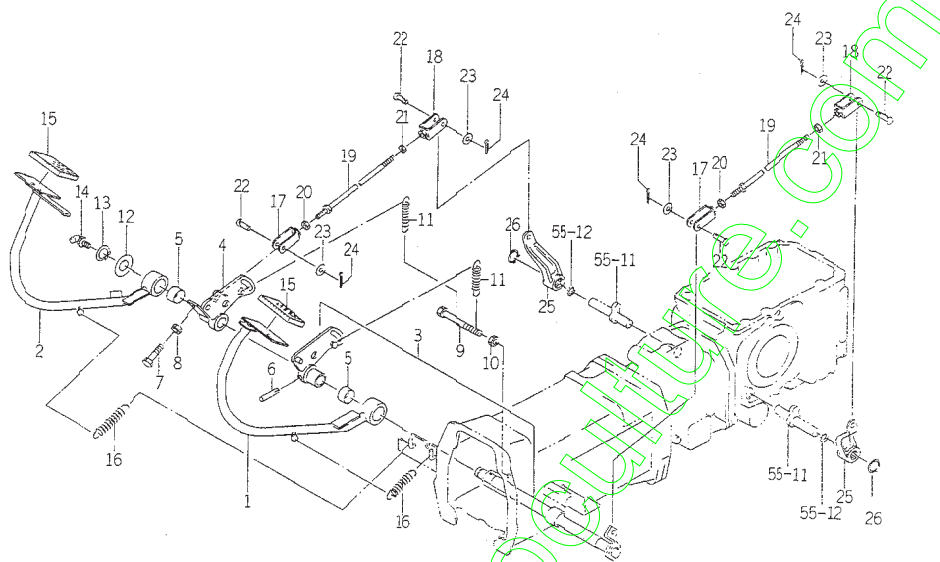








FIG. 56 PEDAL (BRAKE) SYSTEM

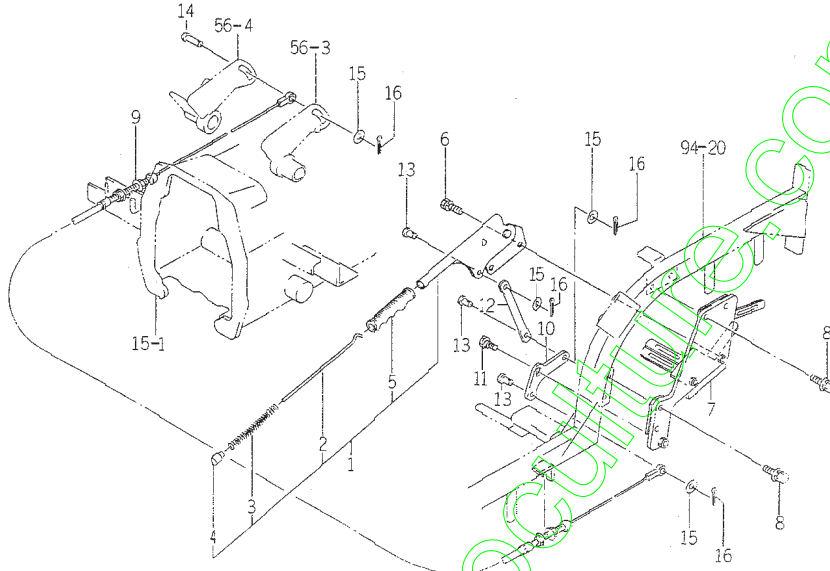


1620-312

KEY	PART CODE	DESCRIPTION	QTY	TYPE OF MODEL				I	C	G	REMARKS
				TF317F	TF317FH	TF321F	TF321FH				
1	1620-312-200-10	PEDAL/BRAKE/LH COMP	1	*	*	*	*				
2	1620-312-210-10	PEDAL/BRAKE/RH COMP	1	*	*	*	*				
3	1620-312-240-00	HUB/BRAKE/LH SET	1	*	*	*	*				
4	1620-312-260-00	HUB/BRAKE/RH COMP	1	*	*	*	*				
5	3650-835-009-00	BUSH/30X34X30	2	*	*	*	*				
6	V511-100-805-00	PIN, TAPER/8X50	1	*	*	*	*				
7	V201-261-004-00	BOLT/M10X40	1	*	*	*	*				
8	V304-260-010-00	NUT	1	*	*	*	*				
9	V201-361-011-00	BOLT	1	*	*	*	*				
10	V304-260-010-00	NUT	1	*	*	*	*				
11	3656-565-006-00	SPRING/HE066	2	*	*	*	*				
12	V411-260-022-00	WASHER, PL/M22	1	*	*	*	*				
13	V704-140-022-00	RING, SNAP/22 C	1	*	*	*	*				
14	V760-150-000-00	NIPPLE, GREASE	1	*	*	*	*				
15	1524-122-001-00	PAD	2	*	*	*	*				
16	3768-112-001-00	SPRING, CLUTCH RETURN	2	*	*	*	*				
17	1415-312-509-00	YOKE, LH	2	*	*	*	*				
18	1415-312-500-00	YOKE, RH	2	*	*	*	*				
19	1620-312-230-10	ROD COMP	2	*	*	*	*				
20	1560-132-007-30	NUT/M8	2	*	*	*	*				
21	V304-260-008-00	NUT/M 8	2	*	*	*	*				
22	1404-312-006-00	PIN, YOKE A	4	*	*	*	*				
23	V411-260-008-00	WASHER, PL/M 8	4	*	*	*	*				
24	V500-162-002-00	PIN, SPLIT/2 X20	4	*	*	*	*				
25	1614-312-001-00	ARM/BRAKE	2	*	*	*	*				



FIG. 57 BRAKE (PARKING) SYSTEM



1620-313

KEY	PART CODE	DESCRIPTION	QTY	TYPE OF MODEL				I T C	C O L	G R P	REMARKS
				TF317F	TF317FH	TF321F	TF321FH				
1	1442-313-200-10	BRAKE, PARKING ASSY		*	*	*	*				
2	1442-313-202-00	ROD		*	*	*	*				
3	1444-328-273-00	SPRING	1	*	*	*	*				
4	1444-328-272-00	BUTTON		*	*	*	*				
5	1442-313-203-00	GRIP	1	*	*	*	*				
6	V211-260-803-00	BOLT, SEMS	2	*	*	*	*				
7	1620-313-210-20	BRACKET/BRAKE COMP	1	*	*	*	*				
8	V211-360-802-50	BOLT, SEMS	4	*	*	*	*				
9	1620-313-001-10	CABLE/PARKING	1	*	*	*	*				
10	1620-313-002-10	PLATE	1	*	*	*	*				
11	1427-601-001-10	BOLT, HINGE	1	*	*	*	*				
12	3659-221-223-00	ROD/Ø8X110	1	*	*	*	*				
13	1620-313-004-00	PIN/Ø8X19	3	*	*	*	*				
14	1404-312-006-00	PIN, YOKE A	1	*	*	*	*				
15	V411-260-008-00	WASHER, PL/M 8	4	*	*	*	*				
16	V500-162-002-00	PIN, SPLIT/2 X20	4	*	*	*	*				



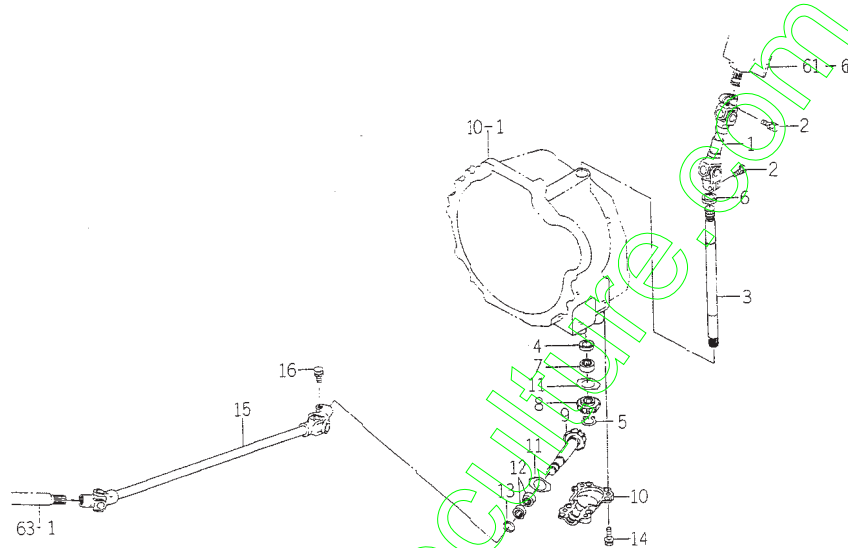








FIG. 62 STEERING SHAFT SYSTEM

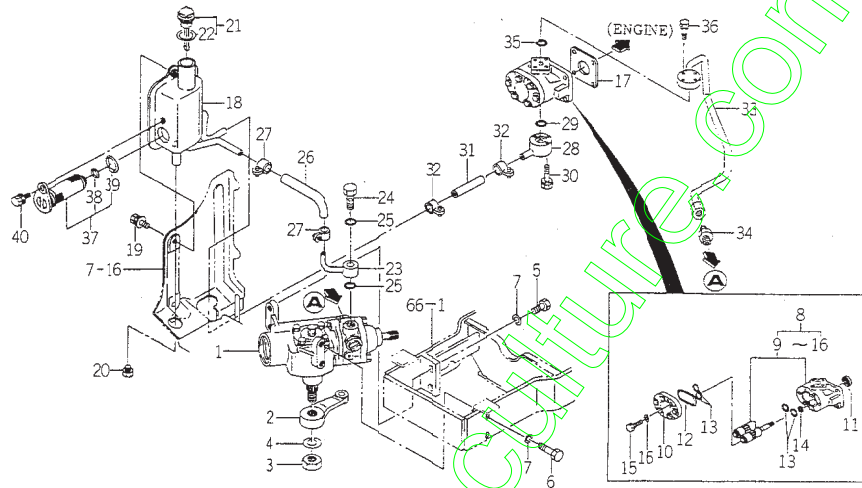


1624-102

KEY	PART CODE	DESCRIPTION	QTY	TYPE OF MODEL				I T C	C O L	G R P	REMARKS
				TF317F	TF317FH	TF321F	TF321FH				
1	1620-402-200-00	SHAFT/STEERING COMP	1	*	*	*	*				
2	V211-560-802-50	BOLT, SEMS/M8X25 7T	2	*	*	*	*				
3	1620-402-001-00	SHAFT/STEERING	1	*	*	*	*				
4	1614-402-007-00	SEAL/OIL	1	*	*	*	*				
5	V704-140-015-00	RING, SNAP/15	1	*	*	*	*				
6	V742-116-240-40	SEAL, OIL/VC16244	1	*	*	*	*				
7	V653-616-221-20	BEARING	1	*	*	*	*				
8	1614-402-002-00	GEAR/BEVEL/14	1	*	*	*	*				
9	1614-402-003-00	GEAR/BEVEL/14	1	*	*	*	*				
10	1614-402-004-00	METAL/GEAR	1	*	*	*	*				
11	1600-406-003-00	PLATE	2	*	*	*	*				
12	V653-318-241-20	BEARING	2	*	*	*	*				
13	V720-102-401-80	O-RING/P18	1	*	*	*	*				
14	V211-360-803-00	BOLT/M8X30	4	*	*	*	*				
15	1620-402-219-00	SHAFT/STEERING COMP	1	*	*	*	*				
16	V211-560-802-50	BOLT, SEMS/M8X25 7T	1	*	*	*	*				



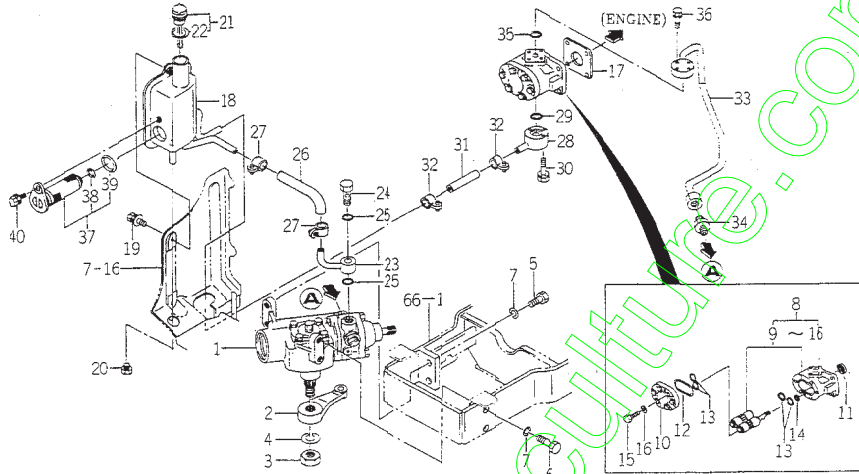
FIG. 64 POWER STEERING SYSTEM (TF321 TYPE)



1620-407

KEY	PART CODE	DESCRIPTION	QTY	TYPE OF MODEL				I T C	C O L	G R P	REMARKS
				TF317F	TF317FH	TF321F	TF321FH				
1	1614-407-210-00	STEERING/POWER ASSY	1		*	*				FIG 114	
2	1614-407-201-00	ARM/PITMAN	1		*	*					
3	V335-460-020-00	NUT/M20 7T	1		*	*					
4	V401-160-020-00	WASHER, SP/M20	1		*	*					
5	V203-361-203-00	BOLT	2		*	*					
6	V203-361-205-00	BOLT	2		*	*					
7	V401-160-012-00	WASHER, SP/M12	4		*	*					
8	K135-020-000-00	PUMP GEAR ASSY	1		*	*					
9	K135-020-100-00	PUMP SET	1		*	*					
10	K135-017-006-00	COVER, PUMP	1		*	*					
11	V744-114-280-70	SEAL, OIL	1		*	*					
12	V721-113-105-00	O-RING HS90 G50	1		*	*					
13	V720-112-402-20	O-RING/P22	4		*	*					
14	V720-111-900-60	O-RING P6 HS90	1		*	*					
15	K135-002-009-00	BOLT/M8X28 11T	6		*	*					
16	V401-160-008-00	WASHER, SPRING/M8	6		*	*					
17	V464-503-006-00	PACKING, OIL PUMP	1		*	*					
18	1614-407-220-20	TANK/OIL COMP	1		*	*					
19	V211-360-801-60	BOLT, SEWS (SP)	2		*	*					
20	V325-706-002-10	PLUG, DRAIN	1		*	*					
21	1518-407-240-00	CAP, OIL (B) ASSY	1		*	*					
22	1518-306-203-00	PACKING	1		*	*					
23	1620-407-200-00	PIPE/OIL COMP	1		*	*					
24	1415-505-014-00	BOLT, CONNECTOR	1		*	*					
25	V720-112-401-80	O-RING/P18	2		*	*					

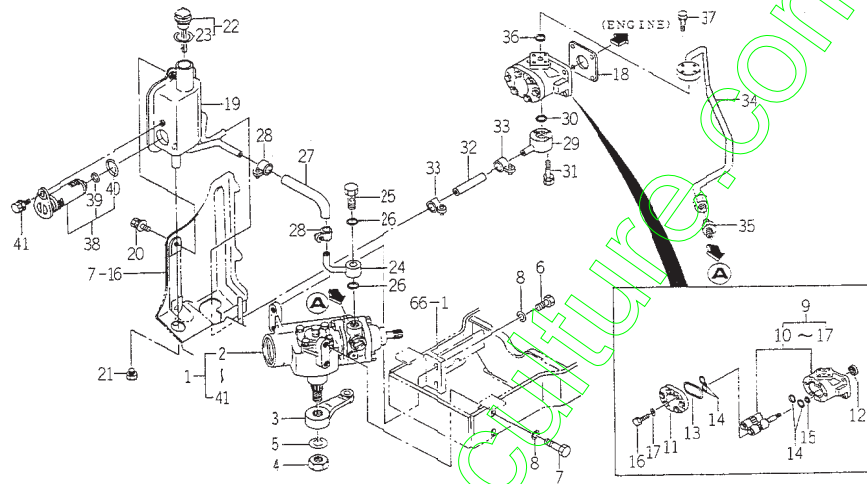
FIG. 64 POWER STEERING SYSTEM (TF321 TYPE)



1820-60

KEY	PART CODE	DESCRIPTION	QTY	TYPE OF MODEL			I T C	C O L	G R P	REMARKS
				TF317F	TF317FH	TF321F				
26	1576-408-002-00	HOSE/OIL	1		*	*				
27	3748-185-003-00	BAND, JUBLEE/18.5	2		*	*				
28	1614-407-240-00	PIPE/OIL COMP	1		*	*				
29	V720-112-402-00	O-RING/P20	1		*	*				
30	V210-260-604-00	BOLT/S	3		*	*				
31	1444-408-007-00	HOSE, OIL 10X15X80	1		*	*				
32	3748-185-003-00	BAND, JUBLEE/18.5	2		*	*				
33	1620-407-220-00	PIPE/OIL COMP	1		*	*				
34	1426-506-002-00	CONNECTOR	1		*	*				
35	V720-112-402-00	O-RING/P20	1		*	*				
36	V210-260-603-00	BOLT(S) M6X30	4		*	*				
37	1614-407-260-00	FILTER/OIL ASSY	1		*	*				
38	V720-102-401-20	O-RING/P12	1		*	*				
39	V720-103-503-10	O-RING P31	1		*	*				
40	V210-360-601-80	BOLT (SP)/M6X16	1		*	*				

FIG. 65 POWER STEERING SYSTEM(TF317 TYPE) (OPTION)

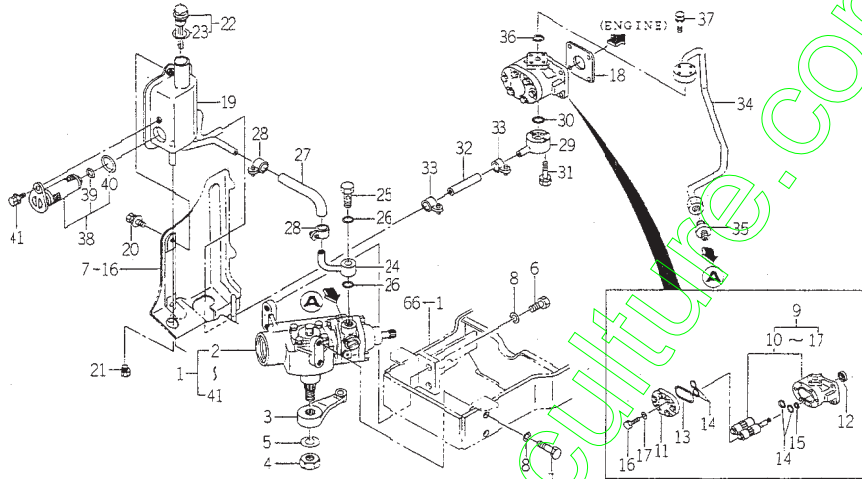


1630-4072

KEY	PART CODE	DESCRIPTION	QTY	TYPE OF MODEL				I T C	C O L	G R P	REMARKS
				TF317F	TF317FH	TF321F	TF321FH				
1	1620-407-300-00	STEERING/POWER SET	1	T	T						
2	1614-407-210-00	STEERING/POWER ASSY	1	T	T					FIG 114	
3	1614-407-201-00	ARM/PITMAN	1	T	T						
4	V335-460-020-00	NUT/M20 7T	1	T	T						
5	V401-160-020-00	WASHER, SP/M20	1	T	T						
6	V203-361-203-00	BOLT	2	T	T						
7	V203-361-205-00	BOLT	2	T	T						
8	V401-160-012-00	WASHER, SP/M12	4	T	T						
9	K135-020-000-00	PUMP, GEAR ASSY	1	T	T						
10	K135-020-100-00	PUMP SET	1	T	T						
11	K135-017-006-00	COVER, PUMP	1	T	T						
12	V744-114-280-70	SEAL, OIL	1	T	T						
13	V721-113-105-00	O-RING HS90 G50	1	T	T						
14	V720-112-402-20	O-RING/P22	4	T	T						
15	V720-111-900-60	O-RING P6 HS9C	1	T	T						
16	K135-002-009-00	BOLT/M8X28 11T	6	T	T						
17	V401-160-008-00	WASHER, SPRING/M8	6	T	T						
18	V404-503-006-00	PACKING, OIL PUMP	1	T	T						
19	1614-407-220-20	TANK/OIL COMP	1	T	T						
20	V21-36C-801-60	BOLT, SEMS (SF)	2	T	T						
21	1326-706-002-10	PLUG, DRAIN	1	T	T						
22	1518-407-240-00	CAP, OIL(B) ASSY	1	T	T						
23	1518-306-203-00	PACKING	1	T	T						
24	1620-407-200-00	PIPE/OIL COMP	1	T	T						
25	1415-505-014-00	BOLT, CONNECTOR	1	T	T						



FIG. 65 POWER STEERING SYSTEM(TF317 TYPE) (OPTION)

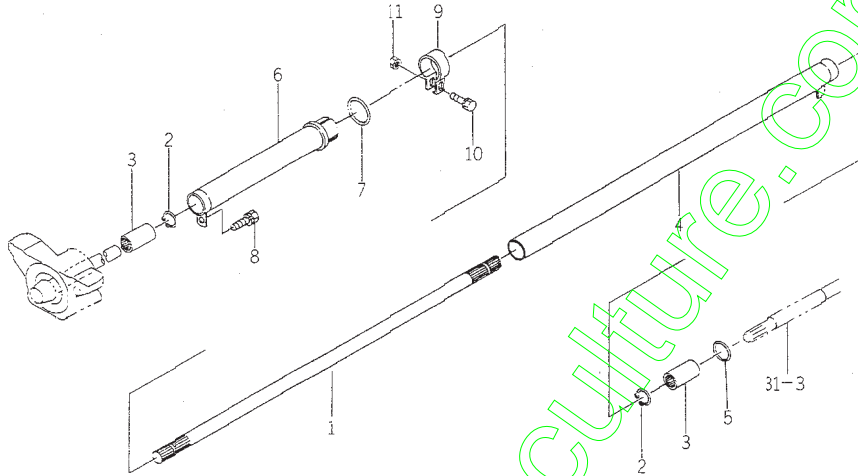


1620-4072

KEY	PART CODE	DESCRIPTION	QTY	TYPE OF MODEL				I	C	O	G	REMARKS
				TF317F	TF317FH	TF321F	TF321FH					
26	V720-112-401-80	O-RING/P18	2	T	T							
27	1578-408-002-00	HOSE/OIL	1	T	T							
28	3748-185-003-00	BAND, JUBLEE/18.5	2	T	T							
29	1614-407-240-00	PIPE/OIL COMP	1	T	T							
30	V720-112-402-00	O-RING/P20	1	T	T							
31	V210-260-604-00	BOLT/S	3	T	T							
32	1444-408-007-00	HOSE, OIL 10X15X80	1	T	T							
33	3748-185-003-00	BAND, JUBLEE/18.5	2	T	T							
34	1620-407-220-00	PIPE/OIL COMP	1	T	T							
35	1426-506-002-00	CONNECTOR	1	T	T							
36	V720-112-402-00	O-RING/P20	1	T	T							
37	V210-260-603-00	BOLT(S) M6X30	4	T	T							
38	1614-407-260-00	FILTER/OIL ASSY	1	T	T							
39	V720-102-401-20	O-RING/P12	1	T	T							
40	V720-103-503-10	O-RING P31	1	T	T							
41	V210-360-601-60	BOLT (SP)/M6X16	1	T	T							



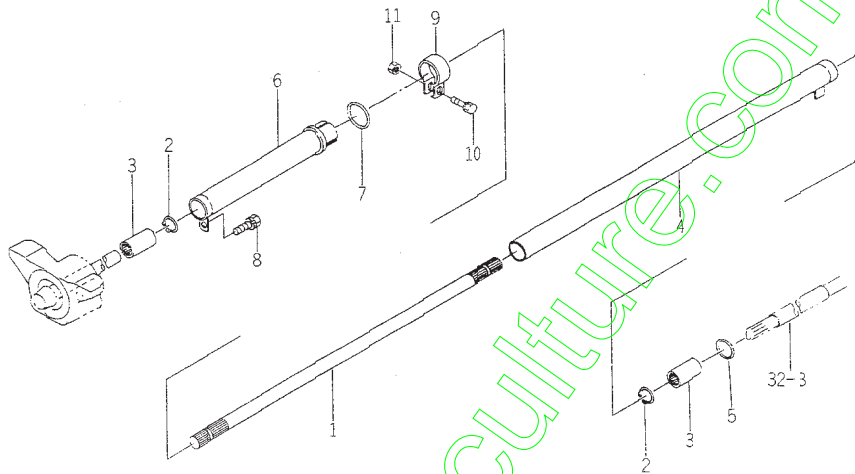
FIG. 67 DRIVE SHAFT SYSTEM (MD,MDU TYPE)



1620-43

KEY	PART CODE	DESCRIPTION	QTY	TYPE OF MODEL				I T C	C O L	G R E	REMARKS
				TF317F	TF317FH	TF321F	TF321FH				
1	1617-431-001-00	SHAFT	1	*		*					
2	V704-140-019-00	RING, SNAP 19	2	*		*					
3	1421-134-019-00	COUPLING	2	*		*					
4	1617-431-210-00	TUBE COMP	1	*		*					
5	V723-102-003-40	RING/O	1	*		*					
6	1620-431-200-00	TUBE/300 COMP	1	*		*					
7	V720-103-503-40	O-RING/P34	1	*		*					
8	V211-260-801-60	BOLT, SEMS (S) M8X16	1	*		*					
9	1444-410-002-10	CLAMP	1	*		*					
10	V211-260-803-00	BOLT, SEMS	1	*		*					
11	V304-260-008-00	NUT/M 8	1	*		*					

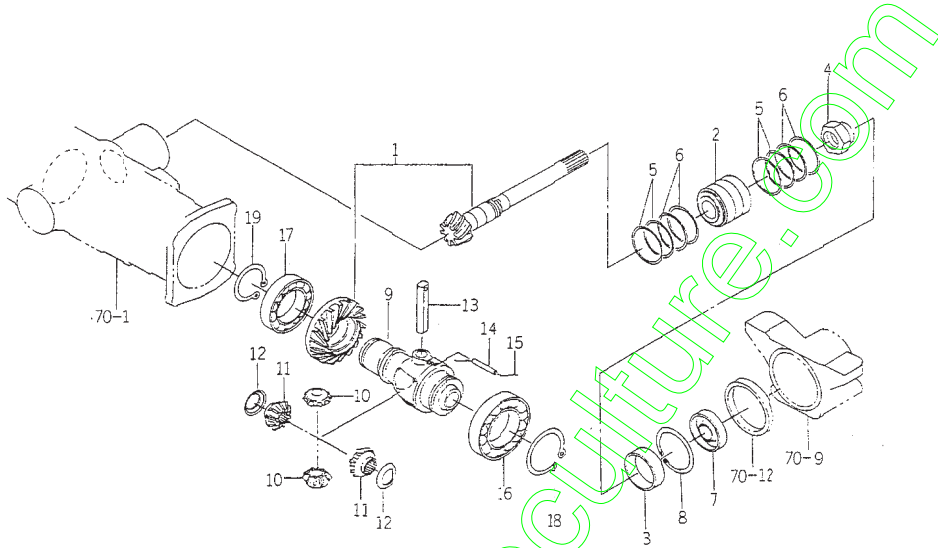
FIG. 68 DRIVE SHAFT (HST) SYSTEM (M,MU TYPE)



1620-431A

KEY	PART CODE	DESCRIPTION	QTY	TYPE OF MODEL				I T C	C O L	G P P	REMARKS
				TF317F	TF317FH	TF321F	TF321FH				
1	1620-431-051-00	SHAFT	1	*		*					
2	V704-140-020-00	RING, SNAP/200	2		*	*					
3	1421-134-019-00	COUPLING	2		*	*					
4	1615-431-200-00	TUBE COMP	1		*	*					
5	V723-102-003-40	RING/O	1		*	*					
6	1620-431-200-00	TUBE/300 COMP	1		*	*					
7	V720-103-503-40	O-RING/P34	1		*	*					
8	V211-260-801-60	BOLT, SEMS (S) M8X16	1		*	*					
9	1444-410-002-10	CLAMP	1		*	*					
10	V211-260-803-00	BOLT, SEMS	1		*	*					
11	V304-260-008-00	NUT/M 8	1		*	*					

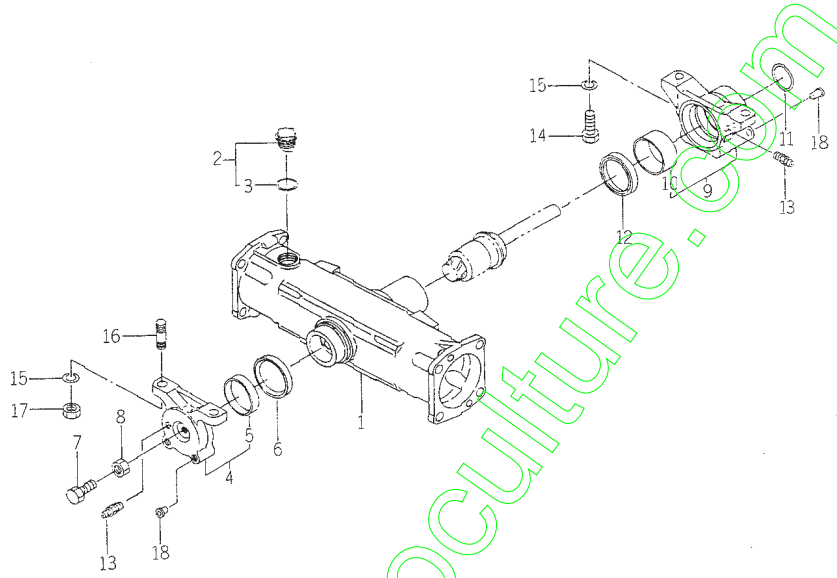
FIG. 69 BEVEL CASE STSEM



1460-12

KEY	PART CODE	DESCRIPTION	QTY	TYPE OF MODEL				I T C	C O L	P R E G	REMARKS
				TF317F	TF317FH	TF321F	TF321FH				
1	1620-432-200-00	GEAR/09-20 SET	1	*	*	*	*				
2	1614-432-210-10	BEARING/TAPERROLLER	1	*	*	*	*				
3	1614-432-007-00	COLLAR/48X52X17	1	*	*	*	*				
4	1614-432-001-00	NUT/M25	1	*	*	*	*				
5	1444-411-012-00	SHIM (C)	4	*	*	*	*				
6	1444-411-013-00	SHIM D T=0.1	4	*	*	*	*				
7	1427-432-016-00	SEAL, OIL/21	1	*	*	*	*				
8	V705-140-052-00	RING, SNAP/52 C	1	*	*	*	*				
9	1614-432-002-00	CASE/DIFF	1	*	*	*	*				
10	1614-432-003-00	PIN, ON/BEVEL/11	2	*	*	*	*				
11	1614-432-004-00	GEAR/BEVEL/15	2	*	*	*	*				
12	1614-432-005-00	WASHER	2	*	*	*	*				
13	1614-432-006-00	PIN/12X75	1	*	*	*	*				
14	V580-140-502-50	PIN, SPRING/5 X25 W	1	*	*	*	*				
15	-	WIRE	1	*	*	*	*				
16	V600-110-601-10	BEARING, RB/6011	1	*	*	*	*				
17	V600-110-601-90	BEARING, RB/6010	1	*	*	*	*				
18	V706-140-055-00	RING/SNAP	1	*	*	*	*				
19	V705-140-040-00	RING/SNAP	1	*	*	*	*				

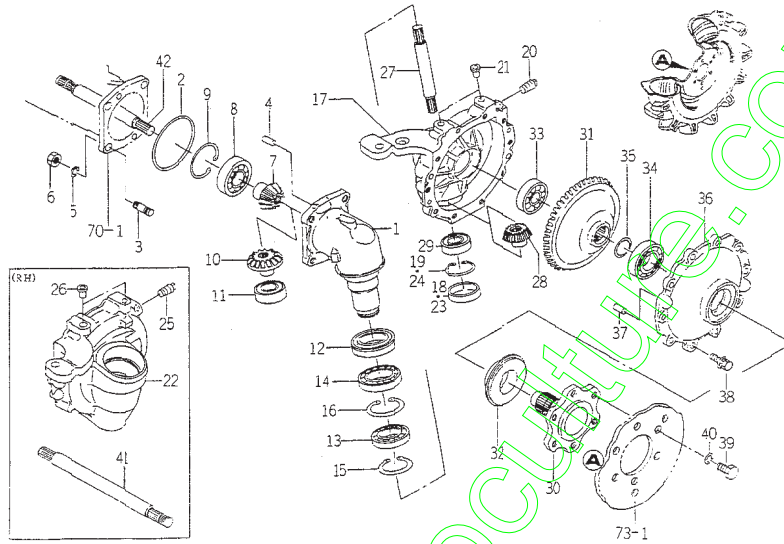
FIG. 70 AXLE HOUSING SYSTEM



1620-433

KEY	PART CODE	DESCRIPTION	QTY	TYPE OF MODEL				I T C	C O L	S R P	REMARKS
				TF317F	TF317FH	TF321F	TF321FH				
1	1614-433-001-00	HOUSING/A/LE	1	*	*	*	*				
2	1518-432-250-00	CAP, OIL ASSY	1	*	*	*	*				
3	1518-306-203-00	PACKING	1	*	*	*	*				
4	1620-433-200-00	METAL/PIVOT/FRONT	1	*	*	*	*				
5	1614-433-202-00	BUSH/62X67X15	1	*	*	*	*				
6	1614-433-002-00	SEAL/OIL	1	*	*	*	*				
7	V201-261-203-50	BOLT/M12X35	1	*	*	*	*				
8	V304-260-012-00	NUT/M12	1	*	*	*	*				
9	1620-433-210-00	METAL/PIVOT/REA ASSY	1	*	*	*	*				
10	1614-433-212-00	BUSH/62X67X30	1	*	*	*	*				
11	V720-103-503-80	O-RING/P38	1	*	*	*	*				
12	1614-433-002-00	SEAL/OIL	1	*	*	*	*				
13	V761-400-000-00	NIPPLE, GREASE/1/8	2	*	*	*	*				
14	V201-361-403-00	BOLT/M14X30	2	*	*	*	*				
15	V401-180-014-00	WASHER, SP/M14	4	*	*	*	*				
16	V251-441-403-50	STUD/M14X35	2	*	*	*	*				
17	V304-460-014-00	NUT/M14	2	*	*	*	*				
18	1427-120-002-00	CAP, BLANK/M10	4	*	*	*	*				

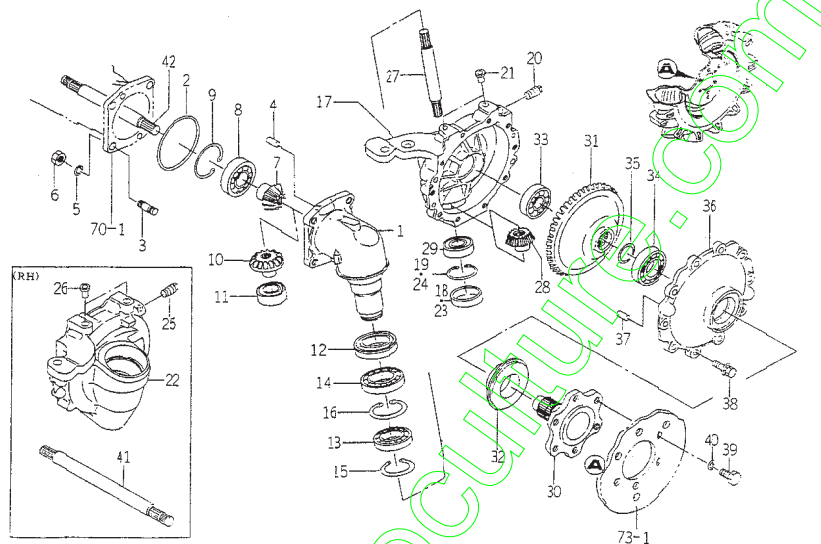
FIG. 71 FAINAL GEAR CASE SYSTEM



1620-154

KEY	PART CODE	DESCRIPTION	QTY	TYPE OF MODEL				I	C	O	L	REMARKS
				TF317F	TF317FH	TF321F	TF321FH					
1	1614-434-001-00	CASE/FINAL	2	*	*	*	*					
2	V721-103-110-00	O-RING/G100	2	*	*	*	*					
3	V251-441-202-80	STUD/M12X28	8	*	*	*	*					
4	V520-101-002-20	PIN, ST/10X22	4	*	*	*	*					
5	V401-160-012-00	WASHER, SP/M12	8	*	*	*	*					
6	V304-460-012-00	NUT/M12	8	*	*	*	*					
7	1614-434-002-10	GEAR/BEVEL/12	2	*	*	*	*					
8	V600-110-630-60	BEARING, RB/B306	2	*	*	*	*					
9	V707-140-072-00	RING/SNAP	2	*	*	*	*					
10	1614-434-003-10	GEAR/BEVEL/17	2	*	*	*	*					
11	1594-221-001-00	BEARING/BALL 6205SH2	2	*	*	*	*					
12	1614-434-004-00	SEAL/OIL ASSY	2	*	*	*	*					
13	V600-110-690-90	BEARING	2	*	*	*	*					
14	V600-110-691-10	BEARING	2	*	*	*	*					
15	V705-140-045-00	RING/SNAP	2	*	*	*	*					
16	V707-140-065-00	RING/SNAP	2	*	*	*	*					
17	1620-434-601-90	CASE/FINAL/LH	1	*	*	*	*					
18	1421-201-003-00	SEAL/52	1	*	*	*	*					
19	V705-140-052-00	RING, SNAP/52 C	1	*	*	*	*					
20	V781-100-000-4B	PLUG/SCREW/SEAL	1	*	*	*	*					
21	1421-120-002-00	CAP, BLANK/M10	2	*	*	*	*					
22	1620-434-002-00	CASE/FINAL/RH	1	*	*	*	*					
23	1421-201-003-00	SEAL/52	1	*	*	*	*					
24	V705-140-052-00	RING, SNAP/52 C	1	*	*	*	*					
25	V781-100-000-4B	PLUG/SCREW/SEAL	1	*	*	*	*					

FIG. 71 FAINAL GEAR CASE SYSTEM

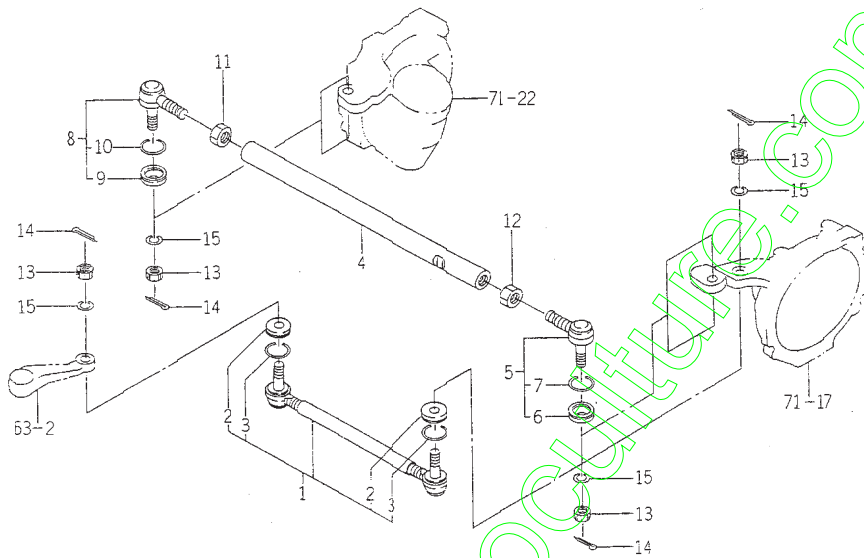


1621-434

KEY	PART CODE	DESCRIPTION	QTY	TYPE OF MODEL				I T C	C O L	G R P	REMARKS
				TF317F	TF317FH	TF321F	TF321FH				
26	1427-120-002-00	CAP, BLANK/M10	2	*	*	*	*				
27	1614-434-007-00	SHAFT	2	*	*	*	*				
28	1614-434-008-10	GEAR/BEVEL/10	2	*	*	*	*				
29	1594-221-001-00	BEARING/BALL 6205SH2	2	*	*	*	*				
30	1614-434-009-00	SHAFT/WHEEL	2	*	*	*	*				
31	1614-434-011-10	GEAR/BEVEL/48	2	*	*	*	*				
32	1480-434-011-10	SEAL, OIL	2	*	*	*	*				
33	V600-110-620-60	BEARING, RB/6206	2	*	*	*	*				
34	V600-110-620-70	BEARING, RB/6207	2	*	*	*	*				
35	1614-434-013-00	RING/SNAP/CS	2	*	*	*	*				
36	1614-434-012-00	COVER/WHEEL	2	*	*	*	*				
37	V520-101-002-20	PIN, ST/10X22	4	*	*	*	*				
38	V211-361-003-00	BOLT/M10X30	20	*	*	*	*				
39	V201-361-202-50	BOLT/M12X25	12	*	*	*	*				
40	V401-160-012-00	WASHER, SP/M12	12	*	*	*	*				
41	1614-434-001-00	SHAFT	1	*	*	*	*				
42	1614-434-002-00	SHAFT	1	*	*	*	*				



FIG. 72 TIE ROD SYSTEM



1526-436

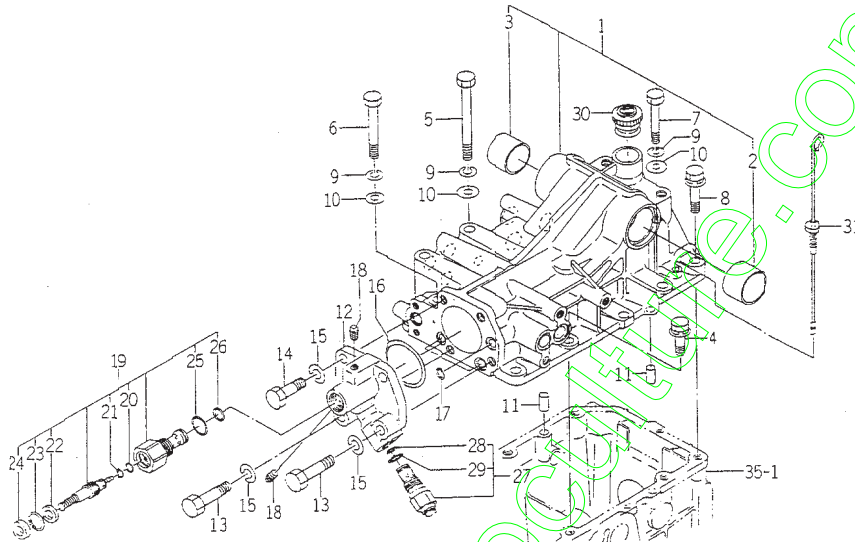
KEY	PART CODE	DESCRIPTION	QTY	TYPE OF MODEL				I T C	C O L	G P R	REMARKS
				TF317F	TF317FH	TF321F	TF321FH				
1	1614-436-200-00	ROD/TIE ASSY	1	*	*	*	*				
2	1614-436-202-00	BOOT/ROD/TIE	2	*	*	*	*				
3	1614-436-203-00	RING/BOOT	2	*	*	*	*				
4	1620-436-001-00	ROD/TIE	1	*	*	*	*				
5	1550-403-210-00	END, TIE ROD ASSY	1	*	*	*	*				
6	1614-436-202-00	BOOT/ROD/TIE	1	*	*	*	*				
7	1614-436-203-00	RING/BOOT	1	*	*	*	*				
8	1550-403-220-00	END, TIE ROD, R ASSY	1	*	*	*	*				
9	1614-436-202-00	BOOT/ROD/TIE	1	*	*	*	*				
10	1614-436-203-00	RING/BOOT	1	*	*	*	*				
11	1421-403-001-00	NUT	1	*	*	*	*				
12	1421-403-002-00	NUT, LH THREAD/M17	1	*	*	*	*				
13	V328-262-112-00	NUT/M12X1.25	4	*	*	*	*				
14	V500-163-002-00	PIN, SPLIT/3 X20	4	*	*	*	*				
15	V401-160-012-00	WASHER, SP/M12	4	*	*	*	*				







FIG. 76 CYLINDER CASE SYSTEM



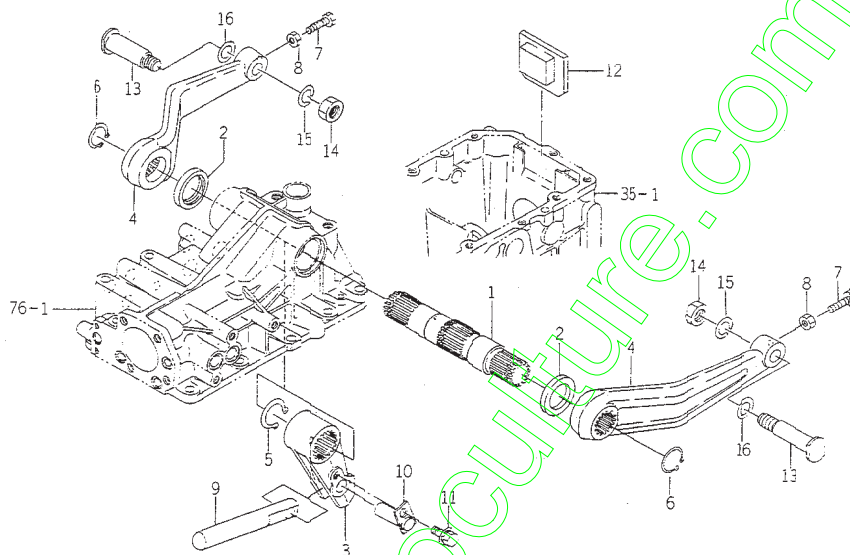
1620-501

KEY	PART CODE	DESCRIPTION	QTY	TYPE OF MODEL				I	C	O	P	REMARKS
				TF317F	TF317FH	TF321F	TF321FH					
1	1614-501-200-00	CASE/CYLINDER SET		*	*	*	*					
2	1480-501-003-00	BUSH/40X43X30		*	*	*	*					
3	1427-501-003-00	BUSH/35X39X30	1	*	*	*	*					
4	V211-361-003-50	BOLT/M10X35	8	*	*	*	*					
5	V201-261-011-00	BOLT/M10X110	2	*	*	*	*					
6	V201-261-008-00	BOLT/M10X80	1	*	*	*	*					
7	V201-261-006-50	BOLT/M10X65	1	*	*	*	*					
8	V211-361-004-50	BOLT/M10X45	2	*	*	*	*					
9	V401-160-010-00	WASHER, SP/M10	4	*	*	*	*					
10	V411-260-010-00	WASHER/M10	4	*	*	*	*					
11	V520-101-002-20	PIN, ST/10X22	2	*	*	*	*					
12	1620-501-001-00	HEAD/CYLINDER	1	*	*	*	*					
13	V201-361-206-00	BOLT	2	*	*	*	*					
14	V201-361-204-00	BOLT/M12X40	2	*	*	*	*					
15	V401-160-012-00	WASHER, SP/M12	4	*	*	*	*					
16	V721-113-106-00	O-RING G60	1	*	*	*	*					
17	V720-112-401-40	O-RING/P14	3	*	*	*	*					
18	V781-100-000-20	PLUG/PT1/8	1	*	*	*	*					
19	K231-008-000-10	VALVE ASSY	1	*	*	*	*					
20	V720-111-300-90	O-RING/P 9	1	*	*	*	*					
21	V730-101-200-90	RING/BACKUP	1	*	*	*	*					
22	K231-004-006-00	COLLAR/11X21X3	1	*	*	*	*					
23	V705-140-021-00	RING, SNAP/21 C	1	*	*	*	*					
24	K231-004-007-00	SEAL, DUST	1	*	*	*	*					
25	V720-112-402-00	O-RING/P20	1	*	*	*	*					





FIG. 78 LIFT ARM SYSTEM

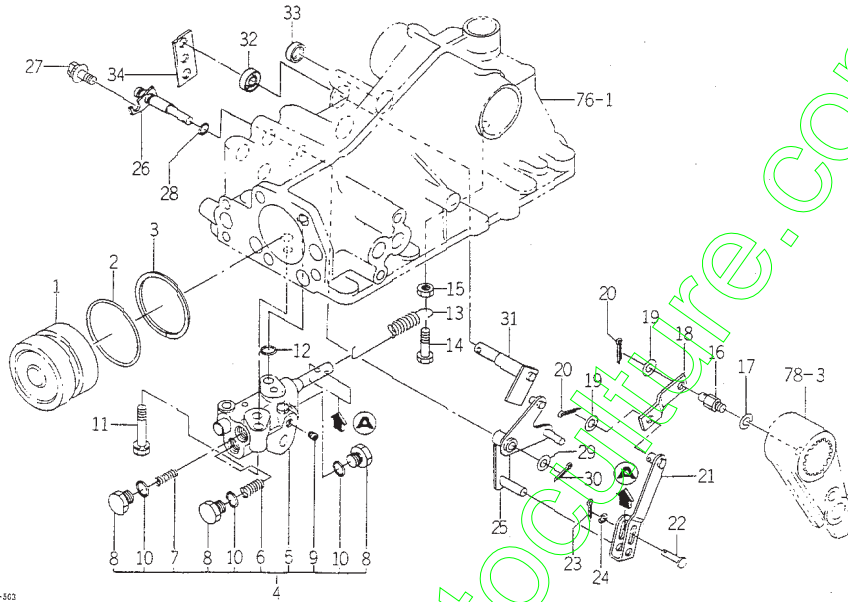


1521-502

KEY	PART CODE	DESCRIPTION	QTY	TYPE OF MODEL				I T C	C O L	S P R	REMARKS
				TF317F	TF317FH	TF321F	TF321FH				
1	1544-502-003-00	SHAFT, LIFT	1	*	*	*	*				
2	V742-135-500-60	SEAL, OIL/VC35805	2	*	*	*	*				
3	1614-502-001-00	CRANK/LIFT	1	*	*	*	*				
4	1600-502-001-00	ARM, LIFT	2	*	*	*	*				
5	V706-140-040-00	RING/SNAP	1	*	*	*	*				
5	V704-140-035-00	RING, SNAP/35 C	2	*	*	*	*				
7	1600-502-003-00	BOLT, SM/M6X25	2	*	*	*	*				
8	V305-260-008-00	NUT/M6	2	*	*	*	*				
9	1614-502-002-00	ROD	1	*	*	*	*				
10	1544-503-200-20	PIN, ROD COMP	1	*	*	*	*				
11	V211-361-002-00	BOLT, SEMS	1	*	*	*	*				
12	1620-502-200-00	PLATE COMP	1	*	*	*	*				
13	1600-502-004-00	PIN/22X82	2	*	*	*	*				
14	V305-260-016-00	NUT/M16	2	*	*	*	*				
15	V401-160-016-00	WASHER, SP/M16	2	*	*	*	*				
16	V411-260-016-00	WASHER / M16	2	*	*	*	*				



FIG. 79 CYLINDER SYSTEM



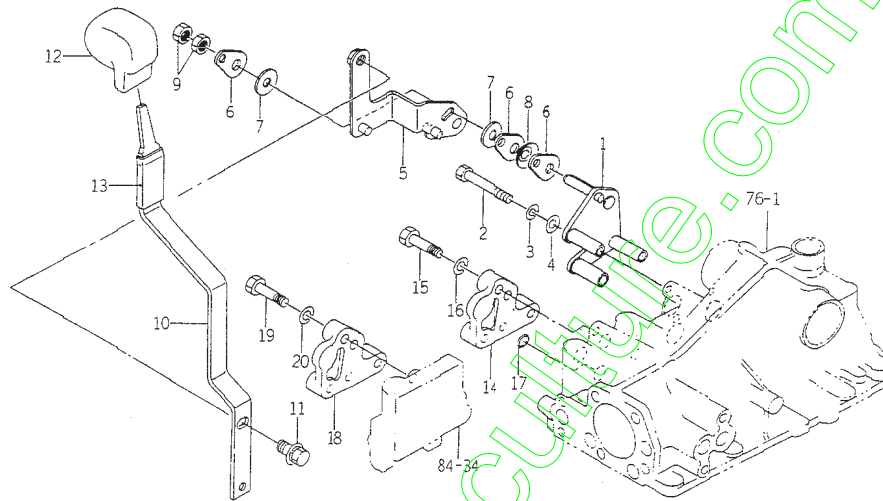
1620-503

KEY	PART CODE	DESCRIPTION	QTY	TYPE OF MODEL				I T C	C O L	G R P	REMARKS
				TF317F	TF317FH	TF321F	TF321FH				
1	1614-503-007-00	PISTON	1	*	*	*	*				
2	V720-115-705-50	RING/O	1	*	*	*	*				
3	1416-501-011-00	RING, BACKUP	1	*	*	*	*				
4	K211-025-000-20	CONTROL/VALVR ASSY	1	*	*	*	*				
5	K211-025-100-20	VALVE SET	1	*	*	*	*				
6	K211-001-006-20	SPRING	1	*	*	*	*				
7	K211-001-007-00	SPRING	1	*	*	*	*				
8	K211-001-008-00	PLUG	3	*	*	*	*				
9	K200-014-007-00	PLUG/SEAL	2	*	*	*	*				
10	V720-112-401-20	O-RING/P12	3	*	*	*	*				
11	V211-260-804-50	BOLT(S) M8X45	3	*	*	*	*				
12	V720-112-401-40	O-RING/P14	2	*	*	*	*				
13	1614-503-004-00	SPRING/HE110	1	*	*	*	*				
14	V201-260-803-00	BOLT/M 8X30	1	*	*	*	*				
15	V304-260-008-00	NUT/M 8	1	*	*	*	*				
16	1614-503-001-00	PIN/08X37	1	*	*	*	*				
17	V401-160-008-00	WASHER, SP/M 8	1	*	*	*	*				
18	1614-503-002-00	PLATE/Z/19X108	1	*	*	*	*				
19	V411-260-808-00	WASHER, PL/M 8	2	*	*	*	*				
20	V500-162-002-00	PIN, SPLIT/2 X20	2	*	*	*	*				
21	1614-503-200-00	LINK/SPOOL COMP	1	*	*	*	*				
22	1614-503-005-00	PIN/05X23	1	*	*	*	*				
23	V500-162-002-00	PIN, SPLIT/2 X20	1	*	*	*	*				
24	V411-260-005-00	WASHER, PL/M 5	1	*	*	*	*				
25	1614-503-270-10	LINK/SUPPORT COMP	1	*	*	*	*				





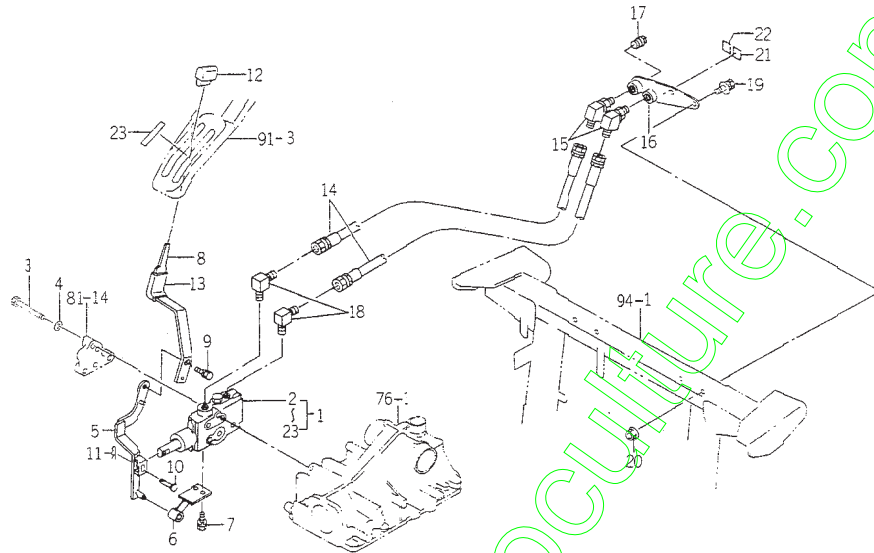
FIG. 81 LEVER (POSITION) /COVER (VALVE) SYSTEM



1621-505

KEY	PART CODE	DESCRIPTION	QTY	TYPE OF MODEL				I T C	C O L	G R P	REMARKS
				TF317F	TF317FH	TF321F	TF321FH				
1	1620-505-200-00	BRACKET/LEVER COMP	1	*	*	*	*				
2	V201-260-806-50	BOLT/M 8X65	3	*	*	*	*				
3	V401-160-008-00	WASHER, SP/M 8	3	*	*	*	*				
4	V411-260-008-00	WASHER, PL/M 8	3	*	*	*	*				
5	1620-505-210-00	ARM/POSITION COMP	1	*	*	*	*				
6	1614-505-002-00	PLATE	3	*	*	*	*				
7	1614-505-003-00	LINING/1X30X02	2	*	*	*	*				
8	1614-505-004-00	SPRING/WASHER	1	*	*	*	*				
9	V304-260-010-00	NUT	2	*	*	*	*				
10	1620-262-001-00	LEVER/SUB	1	*	*	*	*				
11	V211-361-002-00	BOLT, SEWS	1	*	*	*	*				
12	1614-262-003-00	GRIP/SUB	1	*	*	*	*				
13	1614-262-006-00	INSULATOR/LEVER/SUB	1	*	*	*	*				
14	1614-501-003-00	COVER	1	*	*	*	*				
15	V201-261-004-00	BOLT/M10X40	3	*	*	*	*				
16	V401-160-010-00	WASHER, SP/M10	3	*	*	*	*				
17	V720-112-401-40	O-RING/P14	3	*	*	*	*				
18	1614-501-003-00	COVER	1	*	*	*	*				
19	V201-261-004-00	BOLT/M10X40	3	*	*	*	*				
20	V401-160-010-00	WASHER, SP/M10	3	*	*	*	*				

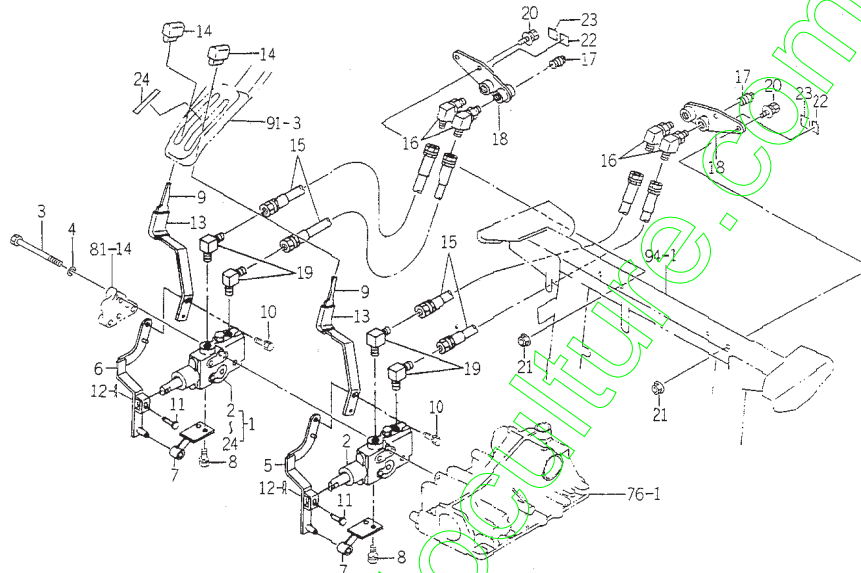
FIG. 82 VALVE (STACK/R1) SET (OPTION)



1630-507

KEY	PART CODE	DESCRIPTION	QTY	TYPE OF MODEL				I T C	C O L	G R P	REMARKS
				TF317F	TF317FH	TF321F	TF321FH				
1	1620-507-200-00	VALVE/CONTROL/SUSET	1	T	T	T	T				
2	1640-530-600-00	VALVE/CONTROL ASSY	1	T	T	T	T			FIG 117	
3	V201-261-008-00	BOLT/M10X80	3	T	T	T	T				
4	V401-160-010-00	WASHER, SP/M10	3	T	T	T	T				
5	1620-507-410-10	ARM/1ST COMP	1	T	T	T	T				
6	1640-530-260-00	HOLDER COMP	1	T	T	T	T				
7	V211-260-801-60	BOLT, SEMS (S) M8X16	2	T	T	T	T				
8	1620-507-006-00	LEBER/SUBCON	1	T	T	T	T				
9	V211-260-801-60	BOLT, SEMS (S) M8X16	1	T	T	T	T				
10	2144-519-007-00	PIN/06X31	1	T	T	T	T				
11	2130-601-018-00	PIN, SNAP/6	1	T	T	T	T				
12	1612-531-003-00	GRIP	1	T	T	T	T				
13	1614-262-006-00	INSULATOR/LEVER/SUB	1	T	T	T	T				
14	1620-507-450-00	HOSE/650 COMP	2	T	T	T	T				
15	1640-530-003-00	CONNECTOR	2	T	T	T	T				
16	1620-507-460-00	STAY/PIPE COMP	1	T	T	T	T				
17	V781-160-000-8T	PLUG/SCREW/SEAL	2	T	T	T	T				
18	1584-522-001-00	ADAPTER/90°	2	T	T	T	T				
19	V211-360-802-00	BOLT (SP) M8X20	2	T	T	T	T				
20	V362-260-008-00	NUT/WASHER	2	T	T	T	T				
21	1518-903-006-00	MARK, PORT A	1	T	T	T	T				
22	1518-903-007-00	MARK, PORT B	1	T	T	T	T				
23	1640-530-007-00	LABEL/CONTROL/SUBCON	1	T	T	T	T				

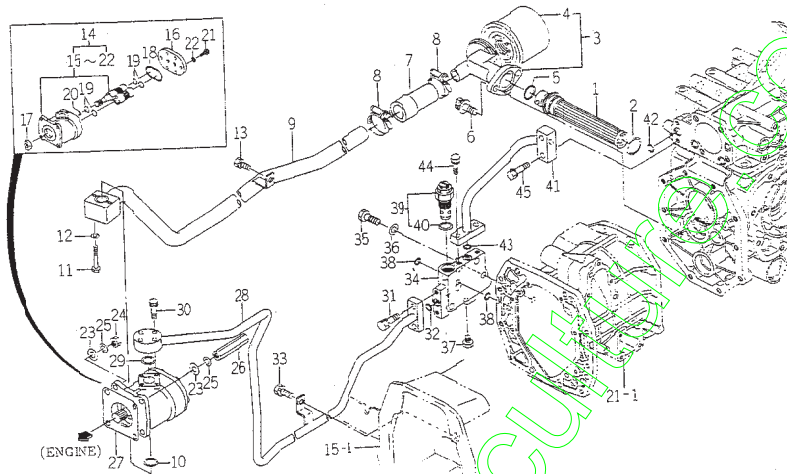
FIG. 83 VALVE (STACK/R2) SET (OPTION)



1620-PCA

KEY	PART CODE	DESCRIPTION	QTY	TYPE OF MODEL				I	C	G	REMARKS
				TF317F	TF317FH	TF321F	TF321FH				
1	1620-507-210-00	VALVE/CONTROL/SUSE	1	T	T	T	T				
2	1640-530-600-00	VALVE/CONTROL ASSY	2	T	T	T	T				FIG 117
3	V201-261-012-00	BOLT/M10X120	3	T	T	T	T				
4	V401-160-010-00	WASHER, SP/M10	3	T	T	T	T				
5	1620-507-410-10	ARM/1ST COMP	1	T	T	T	T				
6	1620-507-420-10	ARM/2ND COMP	1	T	T	T	T				
7	1640-530-260-00	HOLDER COMP	2	T	T	T	T				
8	V211-260-801-60	BOLT, SEMS (S) M8X16	2	T	T	T	T				
9	1620-507-006-00	LEVER/SUBCON	2	T	T	T	T				
10	V211-260-801-60	BOLT, SEMS (S) M8X16	2	T	T	T	T				
11	2144-519-007-60	PIN/06X31	2	T	T	T	T				
12	2130-601-018-00	PIN, SNAP/6	2	T	T	T	T				
13	1614-262-006-00	INSULATOR/LEVER/SUB	2	T	T	T	T				
14	1612-531-003-00	GRIP	2	T	T	T	T				
15	1620-507-450-00	HOSE/650 COMP	4	T	T	T	T				
16	1640-530-003-00	CONNECTOR	4	T	T	T	T				
17	V761-160-000-6T	PLUG/SCREW/SEAL	4	T	T	T	T				
18	1620-507-460-00	STAY/PIPE COMP	2	T	T	T	T				
19	1634-522-001-00	ADAPTER/90°	4	T	T	T	T				
20	V21-360-802-00	BOLT (SP) M8X20	4	T	T	T	T				
21	V362-260-008-00	NUT/WASHER	4	T	T	T	T				
22	1518-903-006-00	MARK, PORT A	2	T	T	T	T				
23	1518-903-007-00	MARK, PORT B	2	T	T	T	T				
24	1640-530-007-00	LABEL/CONTROL/SUBCON	1	T	T	T	T				

FIG. 84 PIPING SYSTEM



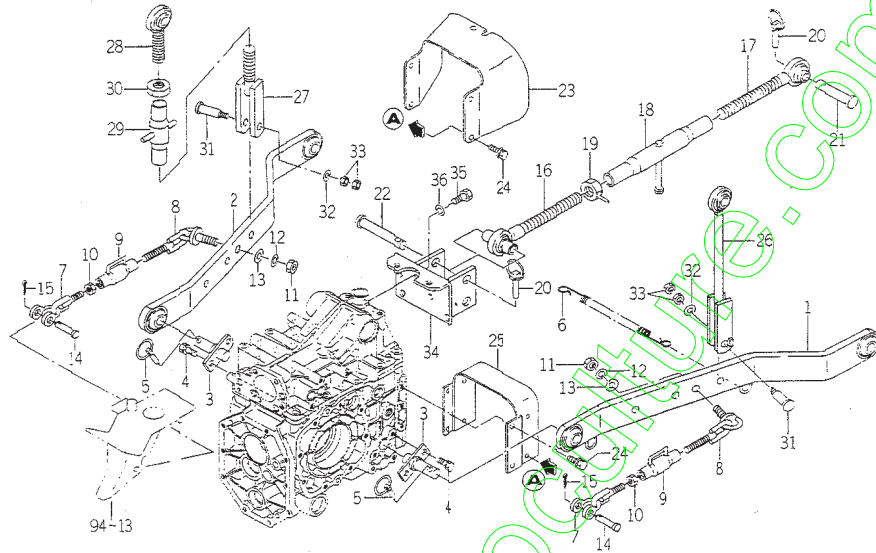
1620-56

KEY	PART CODE	DESCRIPTION	QTY	TYPE OF MODEL				I T C	C O L	G R P	REMARKS
				TF317F	TF317FH	TF321F	TF321FH				
1	1614-508-200-00	FILTER/SUCTION ASSY	1	*	*	*	*				
2	V721-103-103-50	O-RING/G35	1	*	*	*	*				
3	1614-508-260-00	FILTER/SUCTION ASSY	1	*	*	*	*				
4	1614-508-262-00	FILTER	1	*	*	*	*				
5	V721-103-102-50	O-RING/G25	1	*	*	*	*				
6	V211-361-003-00	BOLT/M10X30	2	*	*	*	*				
7	1617-508-001-00	HOSE/SUCTION	1	*	*	*	*				
8	1444-510-008-10	CLAMP/26-38	2	*	*	*	*				
9	1620-508-200-00	PIPE/SUCTION COMP	1	*	*	*	*				
10	V720-102-402-00	O-RING/P20	1	*	*	*	*				
11	V200-280-605-00	BOLT/M 6X50	2	*	*	*	*				
12	V401-160-006-00	WASHER SP/M 6	2	*	*	*	*				
13	V211-260-802-00	BOLT SEMS (S)	1	*	*	*	*				
14	K135-012-000-00	PUMP, GEAR ASSY	1	*	*	*	*				
15	K135-012-100-00	PUMP, GEAR ASSY	1	*	*	*	*				
16	K135-017-006-00	COVER, PUMP	1	*	*	*	*				
17	V744-114-280-10	SEAL, OIL	1	*	*	*	*				
18	V721-113-105-00	O-RING HS90 G50	1	*	*	*	*				
19	V720-112-402-20	O-RING/P22	4	*	*	*	*				
20	V720-111-900-60	O-RING P6 HS90	1	*	*	*	*				
21	K135-002-009-00	BOLT/M8X28 11T	6	*	*	*	*				
22	V401-160-008-00	WASHER, SPRING/M8	6	*	*	*	*				
23	V411-260-008-00	WASHER, PL/M 8	4	*	*	*	*				
24	V304-260-008-00	NUT/M 8	2	*	*	*	*				
25	V401-160-008-00	WASHER, SP/M 8	4	*	*	*	*				





FIG. 85 3P LINK SYSTEM

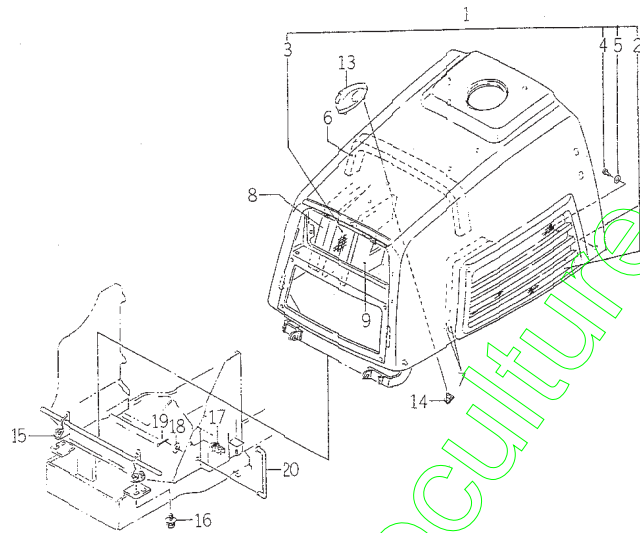


1820-314

KEY	PART CODE	DESCRIPTION	QTY	TYPE OF MODEL				I T C	C O L	G R P	REMARKS
				TF317F	TF317FH	TF321F	TF321FH				
1	1620-514-200-00	LINK/LOWER/LH COMP	1	*	*	*	*				
2	1620-514-210-00	LINK/LOWER/RH COMP	1	*	*	*	*				
3	1614-514-340-00	PIN COMP	2	*	*	*	*				
4	V211-561-002-50	BOLT/M10X25	2	*	*	*	*				
5	1421-502-002-00	PIN, LINK	2	*	*	*	*				
6	1560-525-001-40	SPRING	1	*	*	*	*				
7	7963-611-230-00	CHAIN, CHECK/A	2	*	*	*	*				
8	1617-514-290-00	CHAIN/CHECK COMP	2	*	*	*	*				
9	1444-514-230-00	TURNBUCKLE/A	2	*	*	*	*				
10	V304-260-016-00	NUT/M16	2	*	*	*	*				
11	V304-260-016-00	NUT/M16	2	*	*	*	*				
12	V401-160-016-00	WASHER, SP/M16	2	*	*	*	*				
13	V411-260-016-00	WASHER / M16	2	*	*	*	*				
14	7963-611-003-00	PIN/12X48	2	*	*	*	*				
15	V500-163-002-00	PIN, SPLIT/3 X20	2	*	*	*	*				
16	1444-514-280-10	LINK, TOP (L) COMP	1	*	*	*	*				
17	1444-514-300-00	LINK, TOP (R) COMP	1	*	*	*	*				
18	1550-514-290-00	TURNBUCKLE COMP	1	*	*	*	*				
19	1402-511-600-00	NUT, TOP LINK LOCK	1	*	*	*	*				
20	1421-502-002-00	PIN, LINK	2	*	*	*	*				
21	1432-512-005-00	PIN/19X94	1	*	*	*	*				
22	1640-525-001-00	PIN 19X132	1	*	*	*	*				
23	1594-520-240-00	COVER/SHIELD COMP	1	*	*	*	*				
24	V211-360-801-60	BOLT, SEMS (SP)	8	*	*	*	*				
25	1620-514-280-00	BRACKET COMP	1	*	*	*	*				



FIG. 86 HOOD SYSTEM

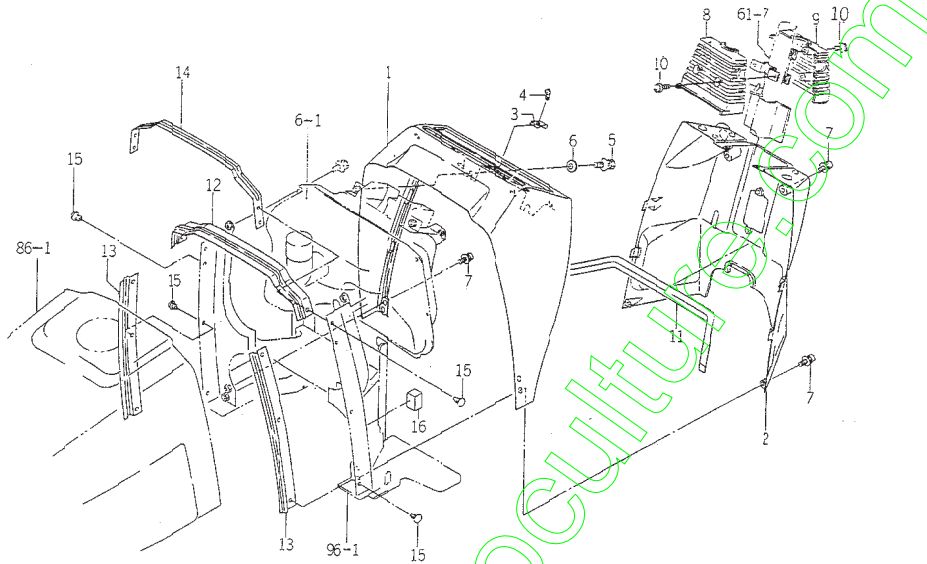


1926-50

KEY	PART CODE	DESCRIPTION	QTY	TYPE OF MODEL				I T C	C O L	G R P	REMARKS
				TF317E	TF317FH	TF321F	TF321FH				
1	1614-601-210-20	HOOD ASSY	1	*	*	*	*		4G		
2	1614-601-214-20	NET/LH	1	*	*	*	*				
3	1614-601-215-20	NET/RH	1	*	*	*	*				
4	W296-204-007-40	RIVET, BLIND/4X7.5	14	*	*	*	*				
5	V411-260-004-00	WASHER, PL/M 4	14	*	*	*	*				
6	1614-601-001-00	SEAL	1	*	*	*	*				
7	1614-601-002-00	INSULATOR/LH	2	*	*	*	*				
8	1614-601-003-00	INSULATOR/RH	1	*	*	*	*				
9	1614-601-031-00	INSULATOR/RH	1	*	*	*	*				
10	1614-601-004-10	PIN/LOCK	2	*	*	*	*				
11	V401-160-008-00	WASHER, SP/M 8	2	*	*	*	*				
12	V304-260-008-00	NUT/M 8	2	*	*	*	*				
13	1614-601-006-00	ORNAMENT	1	*	*	*	*				
14	V350-160-006-00	NUT, SPEED/P6	2	*	*	*	*				
15	1614-601-230-00	PIN COMP	1	*	*	*	*				
16	V211-360-802-00	BOLT (SP) M8X20	4	*	*	*	*				
17	P103-601-005-00	HOLDER/ROD	1	*	*	*	*				
18	V411-260-006-00	WASHER / M6	1	*	*	*	*				
19	V500-162-001-50	PIN, SPLIT/2 X15	1	*	*	*	*				
20	1620-601-001-00	STAY/BAR	1	*	*	*	*				



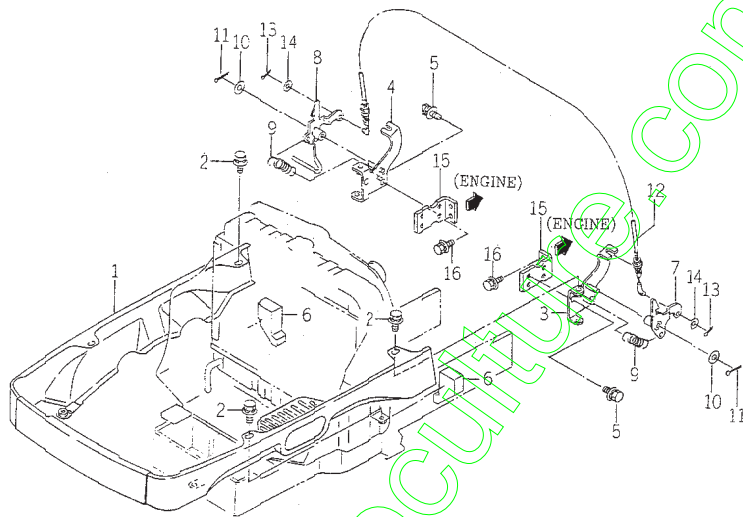
FIG. 88 COVER (STEERING) SYSTEM



1614-603

KEY	PART CODE	DESCRIPTION	QTY	TYPE OF MODEL				T	C	G	R	P	REMARKS
				TF317F	TF317FH	TF321F	TF321FH						
1	1614-603-001-20	COVER/DUSH/F	1	*	*	*	*						
2	1614-603-002-20	COVER/DUSH/R	1	*	*	*	*						
3	1614-603-018-00	NUT/SPRING	2	*	*	*	*						
4	1560-401-004-40	BOLT/MSX16	2	*	*	*	*						
5	V211-360-801-60	BOLT, SEMS (SP)	2	*	*	*	*						
6	3560-201-015-00	WASHER, BINDING SHAFT	2	*	*	*	*						
7	1581-740-116-00	SCREW/M6X20	6	*	*	*	*						
8	1614-603-021-00	COVER/STEERING/F	1	*	*	*	*						
9	1614-603-022-00	COVER/STEERING/R	1	*	*	*	*						
10	V120-366-001-60	SCREW	4	*	*	*	*						
11	1614-603-017-00	INSULATOR	1	*	*	*	*						
12	1614-603-201-10	INSULATOR	1	*	*	*	*						
13	1614-603-202-00	INSULATOR	2	*	*	*	*						
14	1614-603-008-00	STAY/INSULATOR	1	*	*	*	*						
15	1527-604-002-00	CLYP (B)	8	*	*	*	*						
16	1421-602-006-00	CUSHION, C/RUBBER	2	*	*	*	*						

FIG. 89 COVER (SIDE) SYSTEM

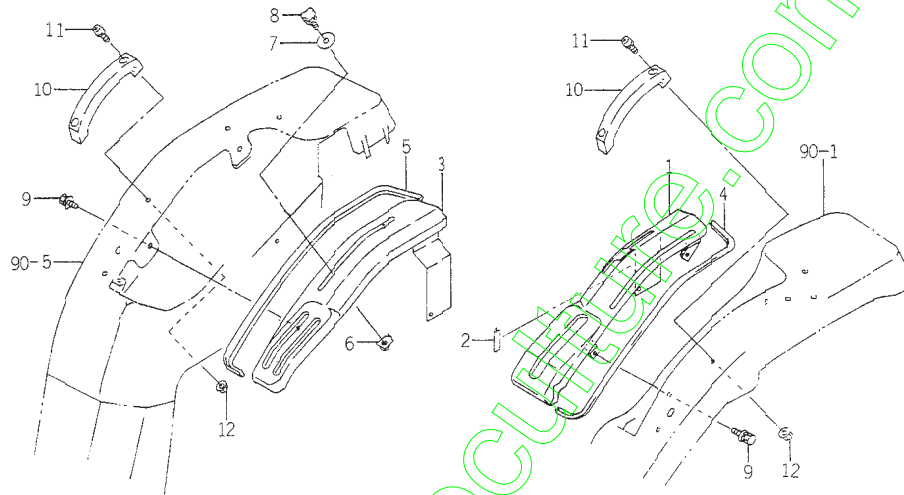


1E20-664

KEY	PART CODE	DESCRIPTION	QTY	TYPE OF MODEL				I T C	C O L	G R P	REMARKS
				TF317F	TF317FH	TF321F	TF321FH				
1	1614-604-200-20	COVER/UNDER	COMP	1	*	*	*	*		51	
2	V211-360-801-60	BOLT, SEMS (SP)		4	*	*	*	*			
3	1614-604-220-00	STAY/PLATE/LH	COMP	1	*	*	*	*			
4	1614-604-230-00	STAY/PLATE/RH	COMP	1	*	*	*	*			
5	V211-360-801-60	BOLT, SEMS (SP)		4	*	*	*	*			
6	1614-604-005-00	INSULATOR		2	*	*	*	*			
7	1614-604-240-00	PLATE/LOCK/LH	COMP	1	*	*	*	*			
8	1617-604-240-00	PLATE/LOCK/RH	COMP	1	*	*	*	*			
9	1426-621-018-00	SPRING, TENSION		2	*	*	*	*			
10	V411-260-008-00	WASHER, PL/M 8		2	*	*	*	*			
11	V500-162-001-50	PIN, SPLIT/2	X15	2	*	*	*	*			
12	1614-604-260-00	CABLE/LOCK	ASSY	1	*	*	*	*			
13	V500-162-501-50	PIN, SPLIT/2.5	X15	2	*	*	*	*			
14	V411-260-006-00	WASHER / M6		2	*	*	*	*			
15	1614-604-006-00	STAY/PLATE		2	*	*	*	*			
16	V211-360-802-00	BOLT (SP) M8X20		4	*	*	*	*			



FIG. 91 GUIDE (LEVER/HST) SYSTEM (M,MU TYPE)



1620-008

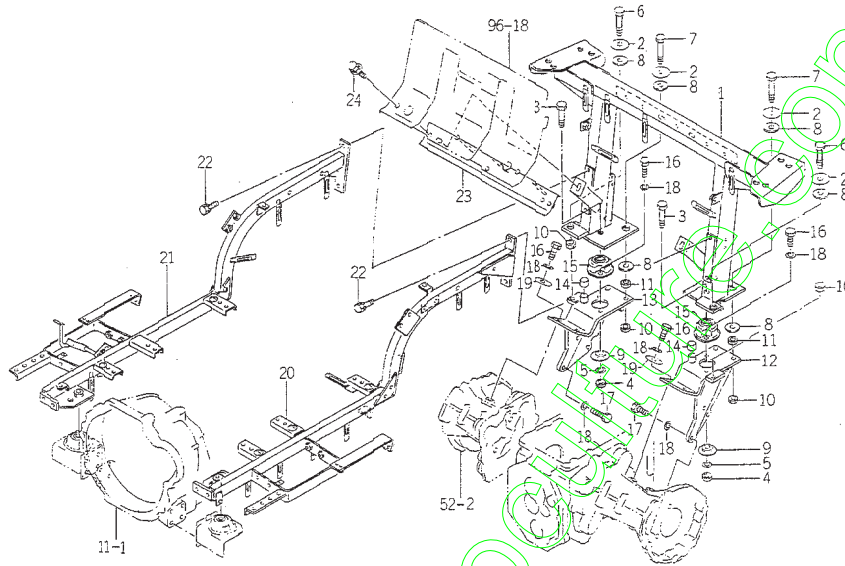
KEY	PART CODE	DESCRIPTION	QTY	TYPE OF MODEL				I	C	O	D	REMARKS
				TF317F	TF317FH	TF321F	TF321FH					
1	1620-608-500-10	GUIDE/CHANGE/LH COMP	1	*		*						
2	1664-630-012-00	INSULATOR	1	*		*						
3	1620-608-210-00	GUIDE/CHANGE/RH COMP	1	*		*						
4	1640-604-012-00	INSULATOR	1	*		*						
5	1617-722-212-00	INSULATOR	1	*		*						
6	1614-608-220-00	PLATE/STOP COMP	2	*		*						
7	1421-507-014-00	WASHER/6X24X2	2	*		*						
8	3256-702-004-00	BOLT, KNDB (M6)	2	*		*						
9	V210-360-601-60	BOLT (SP)/M6X15	6	*		*						
10	3670-238-003-00	GRIP	2	*		*						
11	V120-266-002-00	SCREW, SEMS	4	*		*						
12	V361-260-006-00	NUT	4	*		*						







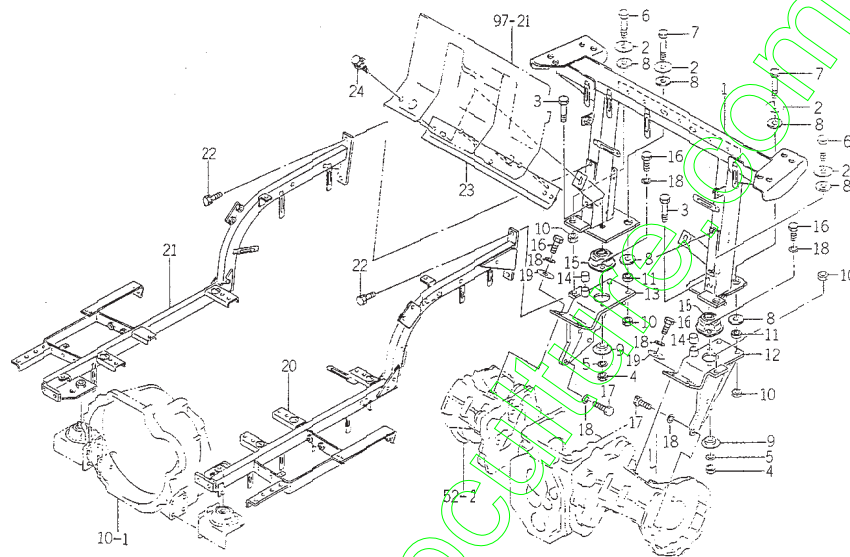
FIG. 94 MOUNT (REAR/E40) SYSTEM (MD,MDU TYPE)



1620-688B

KEY	PART CODE	DESCRIPTION	QTY	TYPE OF MODEL				I T C	C O L	G R P	REMARKS
				TF317F	TF317FH	TF321F	TF321FH				
1	1620-626-320-00	FRAME/REAR COMP	1	*	*	*					
2	1427-117-001-00	WASHER/13X50X3	2	*	*	*					
3	V201-461-207-50	BOLT/M12X75	2	*	*	*					
4	1640-626-001-00	NUT	2	*	*	*					
5	V401-160-012-00	WASHER, SP/M12	2	*	*	*					
6	V201-361-206-50	BOLT	2	*	*	*					
7	V201-461-207-50	BOLT/M12X75	4	*	*	*					
8	1594-715-002-00	INSULATOR	10	*	*	*					
9	1620-626-350-00	WASHER COMP	6	*	*	*					
10	1640-626-001-00	NUT	6	*	*	*					
11	1620-626-001-10	COLLAR/12X25X16	4	*	*	*					
12	1620-626-330-00	BRACKET/REAR/LH COMP	1	*	*	*					
13	1620-626-340-00	BRACKET/REAR/RH COMP	1	*	*	*					
14	1566-701-102-00	INSULATOR	2	*	*	*					
15	1622-625-001-00	INSULATOR	2	*	*	*					
16	V201-461-002-00	BOLT/M10X25	8	*	*	*					
17	V201-461-003-00	BOLT/M10X30	4	*	*	*					
18	V401-160-010-00	WASHER, SP/M10	16	*	*	*					
19	1427-117-001-00	WASHER/13X50X3	4	*	*	*					
20	1620-626-210-20	FRAME/SIDE/LH COMP	1	*	*	*					
21	1620-626-220-10	FRAME/SIDE/RH COMP	1	*	*	*					
22	V211-661-002-50	BOLT/M10X25	4	*	*	*					
23	1620-626-230-10	BRACKET/REAR COMP	1	*	*	*					
24	V211-661-002-50	BOLT 7T (SP)	2	*	*	*					

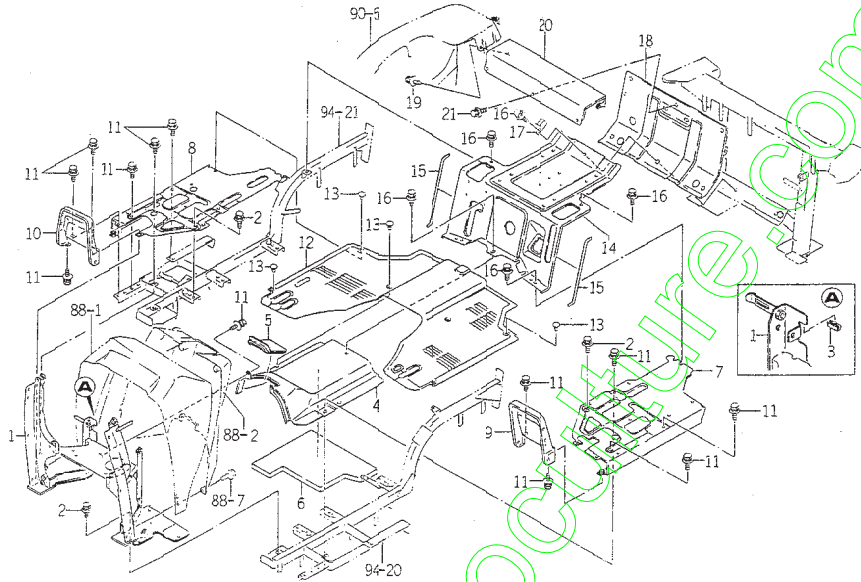
FIG. 95 MOUNT (REAR/HST/E40) SYSTEM (M, MU TYPE)



1620 626C

KEY	PART CODE	DESCRIPTION	QTY	TYPE OF MODEL				I	T	C	G	R	P	REMARKS
				TF317F	TF317FH	TF321F	TF321FH							
1	1620-626-320-00	FRAME/REAR COMP	1	*			*							
2	1427-117-001-00	WASHER/13X50X3	2				*							
3	V201-461-207-50	BOLT/M12X75	2		*		*							
4	1640-626-001-00	NUT	2		*		*							
5	V401-160-012-00	WASHER, SP/M12	2		*		*							
6	V201-361-206-50	BOLT	2		*		*							
7	V201-461-207-50	BOLT/M12X75	4		*		*							
8	1594-715-002-00	INSULATOR	10		*		*							
9	1620-626-350-00	WASHER COMP	6		*		*							
10	1640-626-001-00	NUT	6		*		*							
11	1620-626-001-10	COLLAR/12X25X16	4		*		*							
12	1620-626-330-00	BRACKET/REAR/LH COMP	1		*		*							
13	1620-626-340-00	BRACKET/REAR/RH COMP	1		*		*							
14	1566-701-102-00	INSULATOR	2		*		*							
15	1622-626-001-00	INSULATOR	2		*		*							
16	V201-461-002-50	BOLT/M10X25	8		*		*							
17	V201-461-003-00	BOLT/M10X30	4		*		*							
18	V401-160-010-00	WASHER, SP/M10	16		*		*							
19	1427-117-001-00	WASHER/13X50X3	4		*		*							
20	1620-626-210-20	FRAME/SIDE/LH COMP	1		*		*							
21	1620-626-500-10	FRAME/SIDE/RH COMP	1		*		*							
22	V211-561-002-50	BOLT/M10X25	4		*		*							
23	1620-626-230-10	BRACKET/REAR COMP	1		*		*							
24	V211-661-002-50	BOLT 7T (SP)	2		*		*							

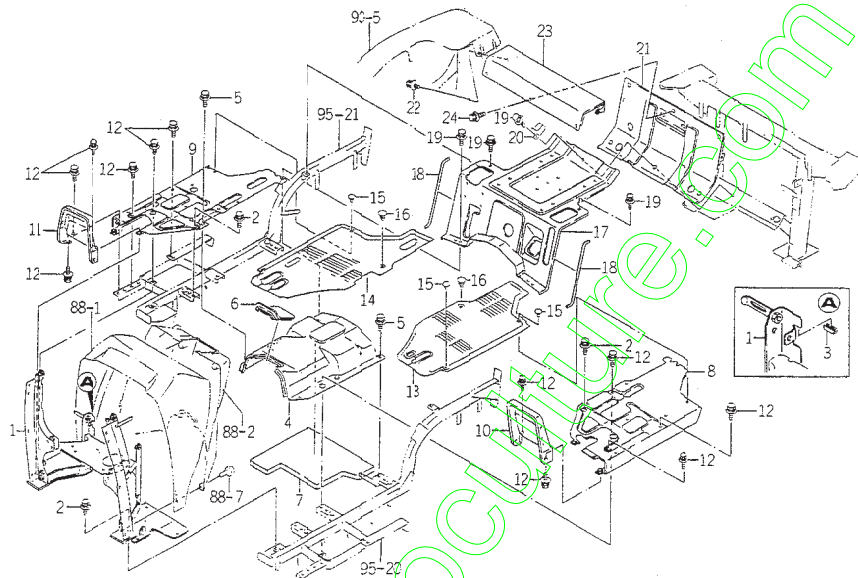
FIG. 96 FLOOR SYSTEM (MD,MDU TYPE)



1620-631

KEY	PART CODE	DESCRIPTION	QTY	TYPE OF MODEL				I	T	C	G	R	REMARKS
				TF317F	TF317FH	TF321F	TF321FH						
1	1614-630-200-00	FRAME/DUSH COMP	1	*		*							
2	V211-360-802-00	BOLT (SP) M8X20	1	*		*							
3	1480-601-005-00	RUBBER, CUSHION	1	*		*							
4	1620-630-240-10	PANEL/CENTER COMP	1	*		*							
5	1614-630-007-00	INSULATOR	1	*		*							
6	1614-630-008-00	INSULATOR	1	*		*							
7	1620-630-210-10	PANEL/FLOOR/LH COMP	1	*		*							
8	1620-630-220-10	PANEL/FLOOR/RH COMP	1	*		*							
9	1620-630-006-00	FOOD/LH	1	*		*							
10	1620-630-007-00	FOOD/RH	1	*		*							
11	V211-360-801-60	BOLT, SEMS (SP)	18	*		*							
12	1620-630-001-10	MAT/FLOOR	1	*		*							
13	1560-606-008-00	CAP/D7	6	*		*							
14	1620-630-290-20	PANEL/SEAT COMP	1	*		*							
15	1614-630-002-00	INSULATOR	2	*		*							
16	V211-360-801-60	BOLT, SEMS (SP)	6	*		*							
17	1425-621-004-00	CLAMP, HARNESS	1	*		*							
18	1617-630-220-00	PANEL/REAR COMP	1	*		*							
19	V211-360-801-60	BOLT, SEMS (SP)	2	*		*							
20	1620-630-300-10	PANEL/BACK COMP	1	*		*							
21	V211-360-801-60	BOLT, SEMS (SP)	3	*		*							

FIG. 97 FLOOR (HST) SYSTEM (M,MU TYPE)

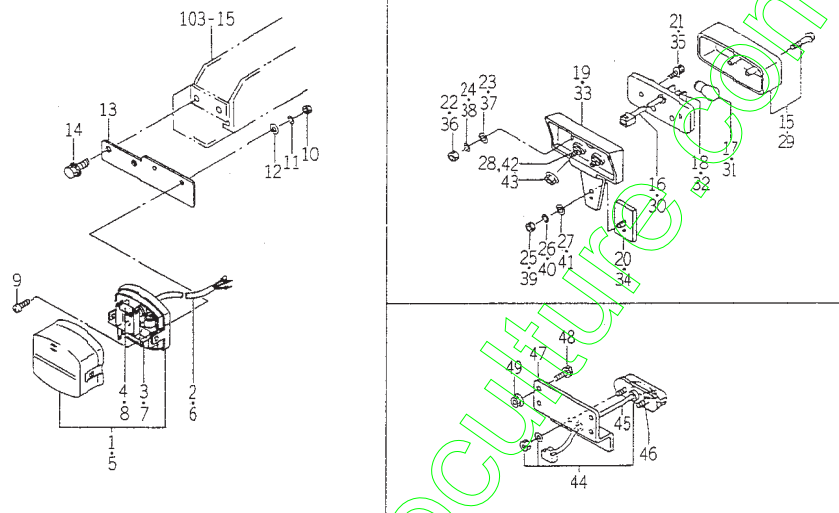


1520-539A

KEY	PART CODE	DESCRIPTION	QTY	TYPE OF MODEL				I T C	C O L	G R P	REMARKS
				TF317F	TF317FH	TF321F	TF321FH				
1	1614-630-200-00	FRAME/DUSH COMP	1	*		*					
2	V211-360-802-00	BOLT (SP) M8X20	4			*	*				
3	1480-601-005-00	RUBBER, CUSHION	1		*		*				
4	1620-630-053-00	PANEL/CENTER	1		*		*				
5	V211-360-801-60	BOLT, SEMS (SP)	4		*		*				
6	1614-630-007-00	INSULATOR	1		*		*				
7	1614-630-008-00	INSULATOR	1		*		*				
8	1620-630-210-10	PANEL/FLOOR/LH COMP	1		*		*				
9	1620-630-220-10	PANEL/FLOOR/RH COMP	1		*		*				
10	1620-630-006-00	FOOD/LH	1		*		*				
11	1620-630-007-00	FOOD/RH	1		*		*				
12	V211-360-801-60	BOLT, SEMS (SP)	18		*		*				
13	1620-630-051-10	MAT/FLOOR/LH	1		*		*				
14	1620-630-052-10	MAT/FLOOR/RH	1		*		*				
15	1560-606-008-00	CAP/07	4		*		*				
16	1527-664-002-00	CLIP (B)	2		*		*				
17	1620-630-500-20	PANEL/SEAT COMP	1		*		*				
18	1614-630-002-00	INSULATOR	2		*		*				
19	V211-360-801-60	BOLT, SEMS (SP)	6		*		*				
20	1425-621-004-00	CLAMP, HARNESS	1		*		*				
21	1617-630-220-00	PANEL/REAR COMP	1		*		*				
22	V211-360-801-60	BOLT, SEMS (SP)	2		*		*				
23	1620-630-300-10	PANEL/BACK COMP	1		*		*				
24	V211-360-801-60	BOLT, SEMS (SP)	3		*		*				



FIG. 99 LAMP (E40) SYSTEM

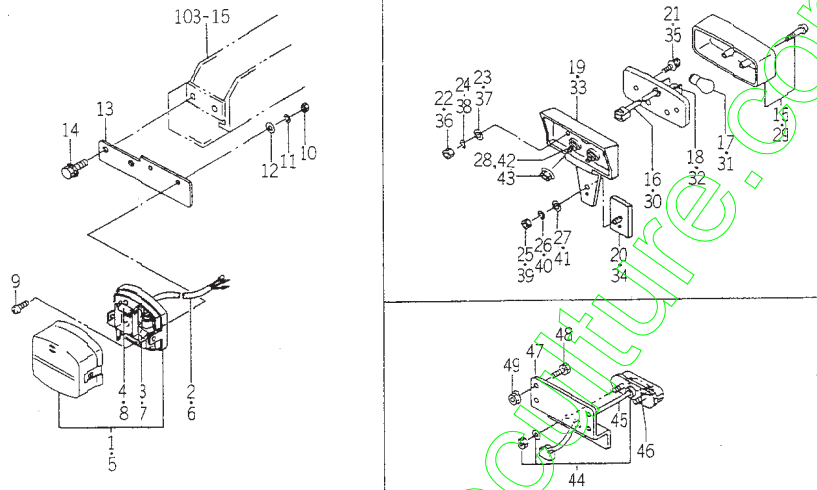


1820-660

KEY	PART CODE	DESCRIPTION	QTY	TYPE OF MODEL				I	T	C	O	R	REMARKS
				TF317F	TF317FH	TF321F	TF321FH						
1	1600-622-360-00	LAMP/FRONT/LH/C ASSY	1	*	*	*	*						
2	1594-654-281-00	HARNESS/LAMP	1	*	*	*	*						
3	1600-622-232-00	BULB/LAMP/12V21W	1	*	*	*	*						
4	1600-622-233-00	BULB/LAMP/12V5W	1	*	*	*	*						
5	1600-622-380-00	LAMP/FRONT/RH/L ASSY	1	*	*	*	*						
6	1594-654-281-00	HARNESS/LAMP	1	*	*	*	*						
7	1600-622-232-00	BULB/LAMP/12V21W	1	*	*	*	*						
8	1600-622-233-00	BULB/LAMP/12V5W	1	*	*	*	*						
9	V111-164-001-60	SCREW/M4X16	4	*	*	*	*						
10	V301-260-004-00	NUT/M 4	4	*	*	*	*						
11	V401-160-004-00	WASHER, SP/M 4	4	*	*	*	*						
12	V411-260-004-00	WASHER, PL/M 4	4	*	*	*	*						
13	1620-660-001-00	PLATE	2	*	*	*	*						
14	V211-360-801-60	BOLT, SEMS (SP)	4	*	*	*	*						
15	1600-622-260-00	LAMP, COMBI/REAR/LH	1	*	*	*	*						
16	1600-622-251-00	HARNESS, LAMP/REAR	1	*	*	*	*						
17	1600-622-232-00	BULB/LAMP/12V21W	2	*	*	*	*						
18	1600-622-252-00	BULB/LAMP/12V10W	1	*	*	*	*						
19	1600-622-003-00	COVER, LAMP/REAR	1	*	*	*	*						
20	1600-622-321-00	REFLECTOR	1	*	*	*	*						
21	V120-365-002-00	SCREW, SEMS	2	*	*	*	*						
22	V301-260-005-00	NUT/M5	2	*	*	*	*						
23	V411-260-005-00	WASHER, PL/M 5	2	*	*	*	*						
24	V401-160-005-00	WASHER, SP/M 5	2	*	*	*	*						
25	V301-260-006-00	NUT/M 6	1	*	*	*	*						



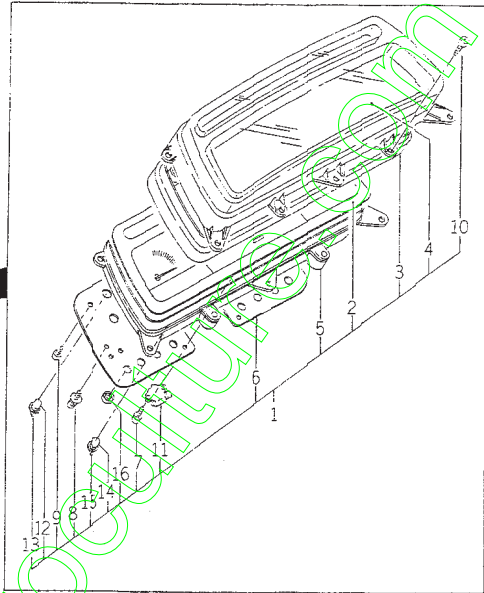
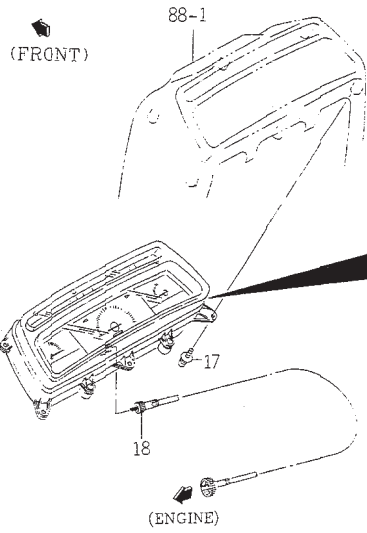
FIG. 99 LAMP (E40) SYSTEM



160P-56K

KEY	PART CODE	DESCRIPTION	QTY	TYPE OF MODEL				I T C	C O L	G R P	REMARKS
				TF317F	TF317FH	TF321F	TF321FH				
26	V401-160-006-00	WASHER, SP/M 6	1	*	*	*	*				
27	V411-260-006-00	WASHER / M6	1	*	*	*	*				
28	V201-260-801-60	BOLT/M8X16	2	*	*	*	*				
29	1600-622-280-00	LAMP, COMBI/REAR/RH	1	*	*	*	*				
30	1600-622-251-00	HARNESS, LAMP/REAR	1	*	*	*	*				
31	1600-622-232-00	BULB/LAMP/12V21W	2	*	*	*	*				
32	1600-622-252-00	BULB/LAMP/12V10W	1	*	*	*	*				
33	1600-622-003-00	COVER, LAMP/REAR	1	*	*	*	*				
34	1600-622-321-00	REFLECTOR	1	*	*	*	*				
35	V120-365-002-00	SCREW, SEMS	2	*	*	*	*				
36	V301-260-005-00	NUT/M5	2	*	*	*	*				
37	V411-260-005-00	WASHER, PL/M 5	2	*	*	*	*				
38	V401-160-005-00	WASHER, SP/M 5	2	*	*	*	*				
39	V301-260-006-00	NUT/M 6	1	*	*	*	*				
40	V401-160-006-00	WASHER, SP/M 6	1	*	*	*	*				
41	V411-260-006-00	WASHER / M6	1	*	*	*	*				
42	V201-260-801-60	BOLT/M8X16	2	*	*	*	*				
43	V362-260-008-00	NUT/WASHER	4	*	*	*	*				
44	1600-622-300-00	LAMP/NUMBERPLAT ASSY	1	*	*	*	*				
45	1600-622-291-00	HARNESS/HAMBER PLATE	1	*	*	*	*				
46	1600-622-233-00	BULB/LAMP/12V5W	1	*	*	*	*				
47	1584-654-261-10	BRACKET/LAMP/NUMBER	1	*	*	*	*				
48	V211-260-801-60	BOLT, SEMS (S) M8X16	2	*	*	*	*				
49	V362-260-008-00	NUT/WASHER	2	*	*	*	*				

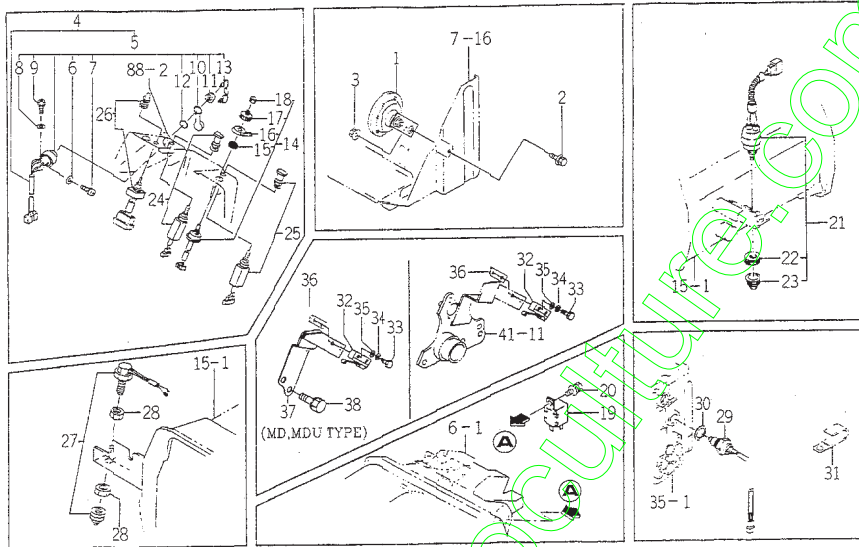
FIG.100 PANEL SYSTEM



1620-670

KEY	PART CODE	DESCRIPTION	QTY	TYPE OF MODEL				I T C	C O L	G R D	REMARKS
				TF317F	TF317FH	TF321F	TF321FH				
1	1620-670-200-00	PANEL/INSTRUMEN ASSY		*	*	*	*				
2	1620-670-210-00	METER/HM/F/T SET	1	*	*	*	*				
3	1614-670-240-00	ESCUTCHEON	1	*	*	*	*				
4	1614-670-201-00	GLASS	1	*	*	*	*				
5	1614-670-250-00	HOUSING ASSY	1	*	*	*	*				
6	1614-670-260-00	BOARD/WIRING ASSY	1	*	*	*	*				
7	V120-284-001-00	SCREW/S	2	*	*	*	*				
8	1560-658-202-00	SCREW	6	*	*	*	*				
9	V195-163-010-40	SCREW/TAPPING	5	*	*	*	*				
10	V195-164-016-40	SCREW/4X16	4	*	*	*	*				
11	1614-670-270-00	CASE ASSY	1	*	*	*	*				
12	3650-270-214-00	BULB	8	*	*	*	*				
13	1560-658-282-40	SOCKET	8	*	*	*	*				
14	1614-670-281-00	VALVE/LAMP/12V/1.7W	4	*	*	*	*				
15	1560-658-282-40	SOCKET	4	*	*	*	*				
16	1614-670-202-00	CAP	9	*	*	*	*				
17	V120-376-001-60	SCREW/SP	4	*	*	*	*				
18	1614-670-001-00	CABLE ASSY	1	*	*	*	*				

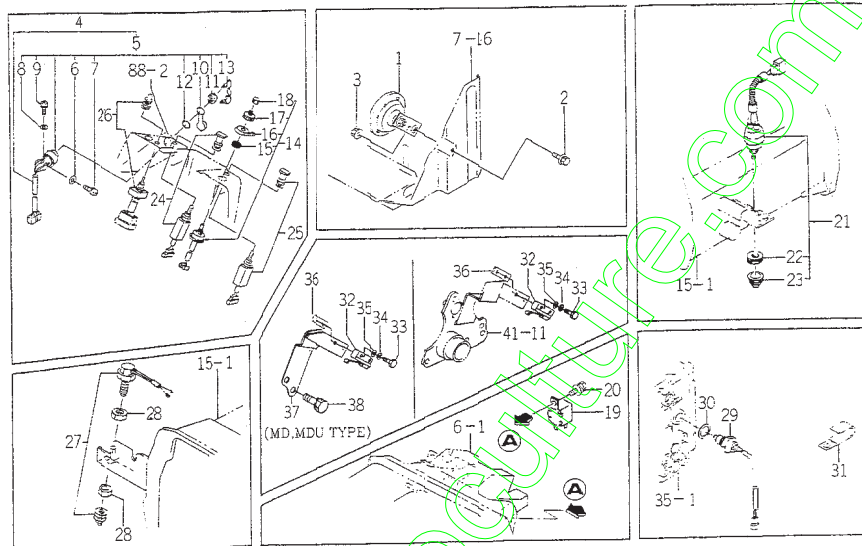
FIG.101 SWITCH SYSTEM



1600-6B

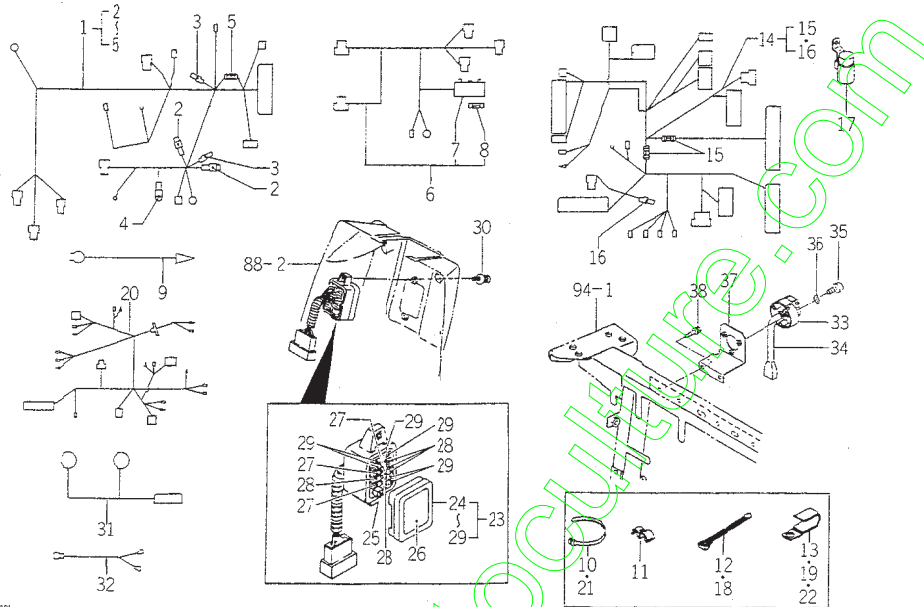
KEY	PART CODE	DESCRIPTION	QTY	TYPE OF MODEL				I T C	C O L	G R P	REMARKS
				TF317F	TF317FH	TF321F	TF321FH				
1	1509-623-001-00	HORN	1	*	*	*	*				
2	V211-360-801-60	BOLT, SEMS (SP)	1	*	*	*	*				
3	V363-260-008-00	NUT, LOCK/M8	1	*	*	*	*				
4	1575-623-210-00	SWITCH, STARTER ASSY	1	*	*	*	*				
5	1488-621-220-10	SWITCH, STARTER SET	1	*	*	*	*				
6	V411-260-004-00	WASHER, PL/M4	3	*	*	*	*				
7	V120-264-000-80	SCREW, PLUS/M4X8	3	*	*	*	*				
8	V411-260-005-00	WASHER, PL/M 5	3	*	*	*	*				
9	V120-265-001-00	SCREW, PLUS/MSX9, 8X8	3	*	*	*	*				
10	1444-621-311-00	CAP.	1	*	*	*	*				
11	1444-621-312-00	NUT, RING/M28X1.0	1	*	*	*	*				
12	1444-621-313-00	WASHER	1	*	*	*	*				
13	1444-621-320-00	KEY ASSY	1	*	*	*	*				
14	1544-623-001-00	SWITCH ASSY	1	*	*	*	*				
15	1544-623-232-00	NUT/M22	1	*	*	*	*				
16	1544-623-233-60	LEVER	1	*	*	*	*				
17	1544-623-234-90	KNOB	1	*	*	*	*				
18	1544-623-235-00	BOOT/HORN	1	*	*	*	*				
19	1600-623-062-00	FLASHER ASSY	1	*	*	*	*				
20	V210-360-601-60	BOLT (SP)/M6X16	1	*	*	*	*				
21	1560-664-250-00	SWITCH/PUSH SET	1	*	*	*	*				
22	1560-664-252-00	NUT	1	*	*	*	*				
23	1560-664-253-00	BOOT	1	*	*	*	*				
24	1600-623-200-00	SWITCH	1	*	*	*	*				
25	1600-623-210-00	SWITCH, LAMP ASSY	1	*	*	*	*				

FIG.101 SWITCH SYSTEM



KEY	PART CODE	DESCRIPTION	QTY	TYPE OF MODEL				I T C	C O L	G R P	REMARKS
				TF317F	TF317FH	TF321F	TF321FH				
16	1600-623-220-00	SWITCH, HAZARD ASSY	1	*	*	*	*				
27	1518-621-320-00	SWITCH, STOP	1	*	*	*	*				
28	1432-621-006-10	NUT, LOCK	2	*	*	*	*				
29	1620-680-210-00	SWITCH/PUSH ASSY	1	*	*	*	*				
30	1518-621-007-00	WASHER/23X35X1	1	*	*	*	*				
31	3737-172-011-00	CLAMP, HARNESS	1	*	*	*	*				
32	1518-621-240-00	SWITCH, LIMIT ASSY	1	*	*	*	*				
33	V200-260-402-50	BOLT	2	*	*	*	*				
34	V401-160-004-00	WASHER, SP/M 4	2	*	*	*	*				
35	V411-260-004-00	WASHER, PL/M 4	2	*	*	*	*				
36	3656-271-001-00	PLATE/1, 13X40	1	*	*	*	*				
37	1620-680-200-00	HOLDER/MID COMP	1	*	*	*	*				
38	V211-260-801-60	BOLT, SEMS (S) M8X16	2	*	*	*	*				

FIG.102 HARNESS SYSTEM

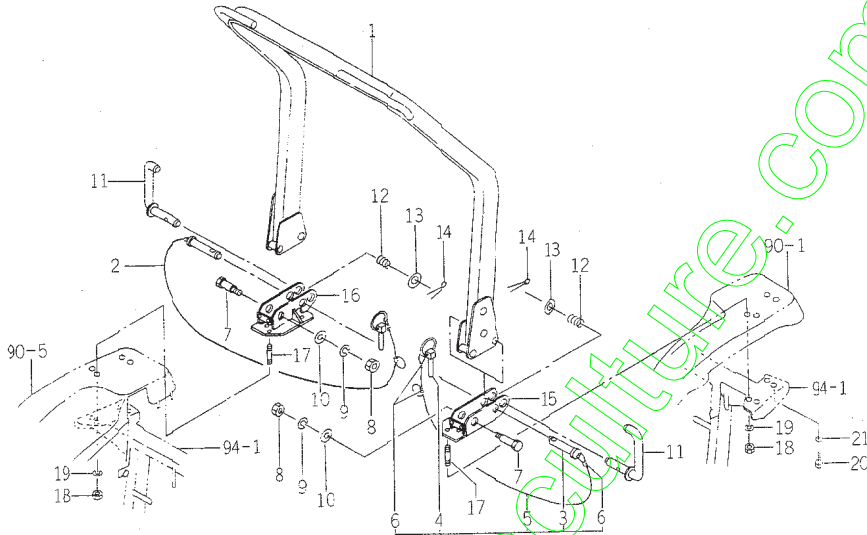


1620-95K

KEY	PART CODE	DESCRIPTION	QTY	TYPE OF MODEL				I	C	G	R	REMARKS
				TF317F	TF317FH	TF321F	TF321FH					
1	1620-690-300-00	HARNESS/ENGINE ASSY	1	*	*	*	*					
2	1614-690-202-00	FUSE/SLOWBLOW	2	*	*	*	*					
3	1560-666-212-00	DIODE	2	*	*	*	*					
4	3650-261-261-00	LINK, FUSIBLE	1	*	*	*	*					
5	4319-601-004-00	FUSE/250V2A	1	*	*	*	*					
6	1620-690-340-00	HARNESS/ENGINE/4P	1	*	*	*	*					
7	1593-623-503-00	CAP, FUSE BOX	1	*	*	*	*					
8	1560-664-264-00	FUSE, BLADE	4	*	*	*	*					
9	1600-624-004-00	HARNESS/OIL PRESSURE	1	*	*	*	*					
10	1342-402-006-00	BAND, WIRE/250	2	*	*	*	*					
11	1614-690-002-00	CLAMP/HOSE	3	*	*	*	*					
12	1376-402-003-00	BAND, WIRE/140	9	*	*	*	*					
13	1425-621-004-00	CLAMP, HARNESS	4	*	*	*	*					
14	1620-690-310-00	HARNESS/MAIN ASSY	1	*	*	*	*					
15	1614-690-212-00	CLIP/CABLE	2	*	*	*	*					
16	1560-666-212-00	DIODE	1	*	*	*	*					
17	1581-621-290-00	RELAY/4P	1	*	*	*	*					
18	1376-402-003-00	BAND, WIRE/140	3	*	*	*	*					
19	1425-621-004-00	CLAMP, HARNESS	2	*	*	*	*					
20	1620-690-320-00	HARNESS/REAR ASSY	1	*	*	*	*					
21	1342-402-006-00	BAND, WIRE/250	1	*	*	*	*					
22	3737-172-009-00	CLAMP, MAIN HARNESS	2	*	*	*	*					
23	1620-690-330-00	CASE/FUSE ASSY	1	*	*	*	*					
24	1620-690-332-00	COVER/FUSE	1	*	*	*	*					
25	1575-623-007-00	TOOL, FUSE	1	*	*	*	*					



FIG.103 FRAME (REAR/OECD) SYSTEM (OPTION)



1620-702

KEY	PART CODE	DESCRIPTION	QTY	TYPE OF MODEL				I T C	C O L	G R P	REMARKS
				TF317F	TF317FH	TF321F	TF321FH				
1	1620-702-250-00	FRAME/REAR COMP	1	T	T	T	T				
2	1614-702-550-00	PIN ASSY	2	T	T	T	T				
3	1614-702-560-00	PIN/19X94 COMP	2	T	T	T	T				
4	1421-502-002-00	PIN, LINK	2	T	T	T	T				
5	1614-702-551-00	BAND	2	T	T	T	T				
6	1614-702-552-00	RING	6	T	T	T	T				
7	1614-702-053-00	BOLT/SET/M16X96	2	T	T	T	T				
8	V304-260-016-00	NUT/M16	2	T	T	T	T				
9	V401-160-016-00	WASHER, SP/M16	2	T	T	T	T				
10	V411-260-016-00	WASHER / M16	2	T	T	T	T				
11	1620-702-280-00	STOPPER COMP	2	T	T	T	T				
12	3600-463-006-10	SPRING/A	2	T	T	T	T				
13	V411-260-020-00	WASHER/M20	2	T	T	T	T				
14	V500-163-003-00	PTN, SPLIT/3X30	2	T	T	T	T				
15	1620-702-200-00	BRACKET/LH COMP	1	T	T	T	T				
16	1620-702-210-00	BRACKET/RH COMP	1	T	T	T	T				
17	1560-702-102-10	STUD/M12	2	T	T	T	T				
18	1640-626-001-00	NUT	2	T	T	T	T				
19	V401-160-012-00	WASHER, SP/M12	2	T	T	T	T				
20	V201-461-202-00	BOLT/M12X20	6	T	T	T	T				
21	V401-160-012-00	WASHER, SP/M12	6	T	T	T	T				



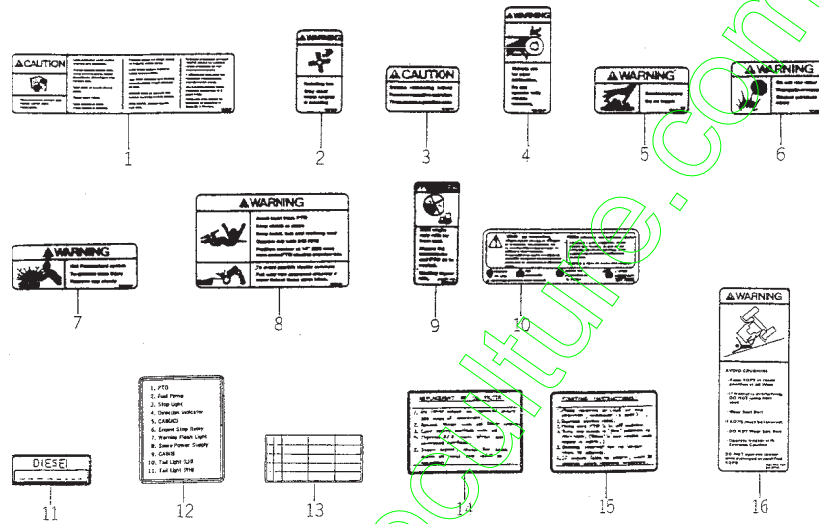








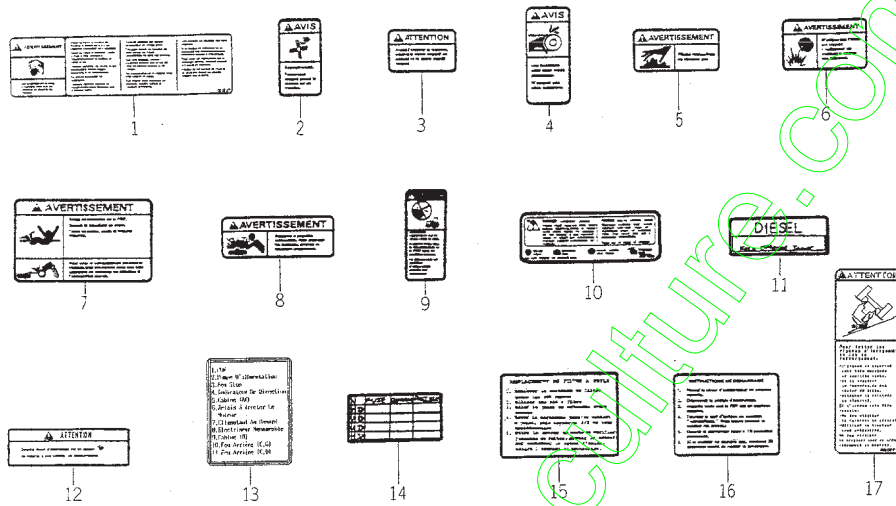
FIG.108 LABEL (ENGLAND) (OPTION)



162-904

KEY	PART CODE	DESCRIPTION	QTY	TYPE OF MODEL				I T C	C O L	G R P	REMARKS
				TF317F	TF317FH	TF321F	TF321FH				
1	1640-904-022-00	LABEL/C/DRIVE/G	1	T	T	T	T				
2	1640-904-006-00	LABEL/W/FAN	2	T	T	T	T				
3	1640-904-007-00	LABEL/C/BATTERY	1	T	T	T	T				
4	1640-904-008-00	LABEL/W/SHIELD	2	T	T	T	T				
5	1640-904-009-10	LABEL/W/MUFFLER	1	T	T	T	T				
6	1640-904-011-00	LABEL/W/ETHER	1	T	T	T	T				
7	1640-904-013-00	LABEL/W/RADIATOR	1	T	T	T	T				
8	1640-904-012-00	LABEL/W/SHIELD/PTO	1	T	T	T	T				
9	1640-904-019-00	LABEL/D/STARTER	1	T	T	T	T				
10	1640-904-016-00	LABEL/D/BATTERY	1	T	T	T	T				
11	1427-941-016-00	MARK, FUEL	1	T	T	T	T				
12	1620-904-006-00	LABEL/FUSE/11	1	T	T	T	T				
13	1594-904-025-00	MARK, FUSE/4	1	T	T	T	T				
14	1640-904-003-00	LABEL/FILTER	1	T	T	T	T				
15	1640-904-005-00	LABEL/START	1	T	T	T	T				
16	1640-903-045-00	LABEL/W/ROPS/E30	1	T	T	T	T				

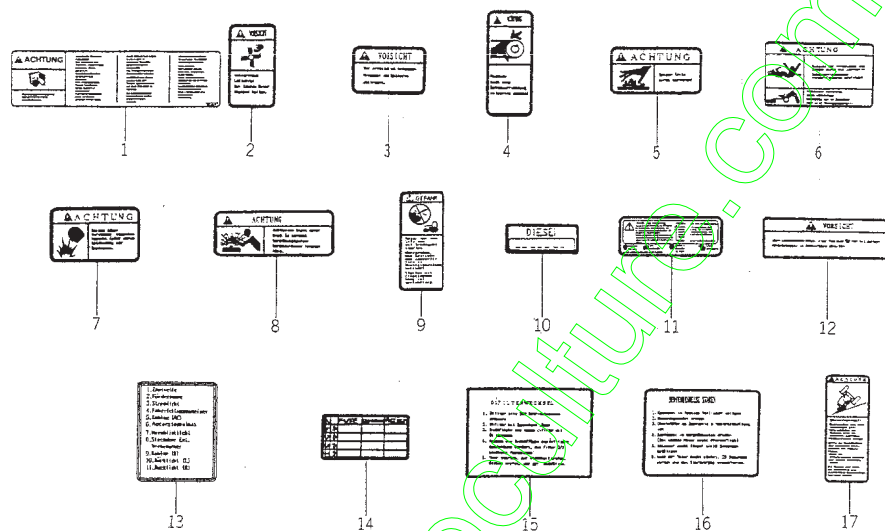
FIG.109 LABEL (FRANCE) (OPTION)



1620-99A

KEY	PART CODE	DESCRIPTION	QTY	TYPE OF MODEL				I T C	C O L	G R P	REMARKS
				TF317F	TF317FH	TF321F	TF321FH				
1	1640-904-023-00	LABEL/C/DRIVE/F	1	T	T	T	T				
2	1640-903-006-00	LABEL/W/FAN	2	T	T	T	T				
3	1640-903-007-00	LABEL/C/BATTERY	1	T	T	T	T				
4	1640-903-008-00	LABEL/W/SHIELD	2	T	T	T	T				
5	1640-903-009-00	LABEL/W/MUFFLER	1	T	T	T	T				
6	1640-903-011-00	LABEL/W/ETHER	1	T	T	T	T				
7	1640-903-012-00	LABEL/W/SHIELD/PTO	1	T	T	T	T				
8	1640-903-013-00	LABEL/W/RADIATOR	1	T	T	T	T				
9	1640-903-015-00	LABEL/D/STARTER	1	T	T	T	T				
10	1640-903-016-00	LABEL/D/BATTERY	1	T	T	T	T				
11	1427-934-013-00	MARK, FUEL/FR	1	T	T	T	T				
12	1640-903-019-10	LABEL/C/SHIFT	1	T	T	T	T				
13	1620-904-007-00	LABEL/FUSE/11	1	T	T	T	T				
14	1594-904-025-00	MARK, FUSE/4	1	T	T	T	T				
15	1640-903-003-00	LABEL/FILTER	1	T	T	T	T				
16	1640-903-005-00	LABEL/START	1	T	T	T	T				
17	1640-903-046-00	LABEL/W/ROPS/E50	1	T	T	T	T				

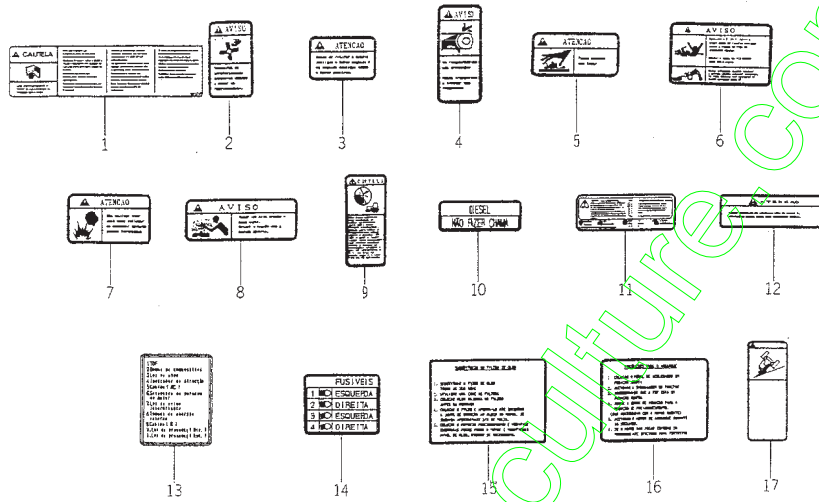
FIG.110 LABEL (GERMAN) (OPTION)



1620-904B

KEY	PART CODE	DESCRIPTION	QTY	TYPE OF MODEL				I T C	C O L	G R P	REMARKS
				TF317F	TF317FH	TF321F	TF321FH				
1	1640-904-024-00	LABEL/C/DRIVE/D	1	T	T	T	T				
2	1640-903-026-00	LABEL/W/FAN	2	T	T	T	T				
3	1640-903-027-00	LABEL/C/BATTERY	1	T	T	T	T				
4	1640-903-028-00	LABEL/W/SHIELD	2	T	T	T	T				
5	1640-903-029-00	LABEL/W/MUFFLER	1	T	T	T	T				
6	1640-903-032-00	LABEL/W/SHIELD/PTO	1	T	T	T	T				
7	1640-903-031-00	LABEL/W/ETHER	1	T	T	T	T				
8	1640-903-033-00	LABEL/W/RADIATOR	1	T	T	T	T				
9	1640-903-035-00	LABEL/D/STARTER	1	T	T	T	T				
10	1600-902-023-00	LABEL, FUEL/D	1	T	T	T	T				
11	1640-903-036-00	LABEL/D/BATTERY	1	T	T	T	T				
12	1640-903-039-00	LABEL/C/SHIFT	1	T	T	T	T				
13	1620-904-006-00	LABEL/FUSE/11	1	T	T	T	T				
14	1594-904-025-00	MARK, FUSE/4	1	T	T	T	T				
15	1640-903-023-00	LABEL/FILTER	1	T	T	T	T				
16	1640-903-025-00	LABEL/START	1	T	T	T	T				
17	1640-903-047-00	LABEL/W/ROPS/E20	1	T	T	T	T				

FIG.111 LABEL (PORTUGAL) (OPTION)



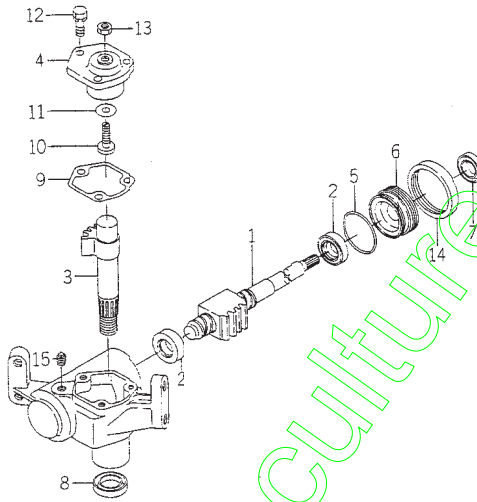
1640-900

KEY	PART CODE	DESCRIPTION	QTY	TYPE OF MODEL				I T C	C O L	G R P	REMARKS
				TF317F	TF317FH	TF321F	TF321FH				
1	1640-904-025-00	LABEL/C/DRIVE/P	1	T	T	T	T				
2	1640-903-056-00	LABEL/W/FAN	2	T	T	T	T				
3	1640-903-057-00	LABEL/C/BATTERY	1	T	T	T	T				
4	1640-903-058-00	LABEL/W/SHIELD	1	T	T	T	T				
5	1640-903-059-00	LABEL/W/MUFFLER	1	T	T	T	T				
6	1640-903-062-00	LABEL/W/SHIELD/PTO	1	T	T	T	T				
7	1640-903-061-00	LABEL/W/ETHER	1	T	T	T	T				
8	1640-903-063-00	LABEL/W/RADIATOR	1	T	T	T	T				
9	1640-903-065-00	LABEL/D/STARTER	1	T	T	T	T				
10	1640-903-067-00	LABEL/FUEL/P	1	T	T	T	T				
11	1640-903-066-00	LABEL/D/BATTERY	1	T	T	T	T				
12	1640-903-069-00	LABEL/C/SHIFT	1	T	T	T	T				
13	1620-904-009-00	LABEL/FUSE/11	1	T	T	T	T				
14	1640-903-052-00	LABEL/FUSE/4	1	T	T	T	T				
15	1640-903-053-00	LABEL/FILTER	1	T	T	T	T				
16	1640-903-055-00	LABEL/START	1	T	T	T	T				
17	1640-903-048-00	LABEL/W/ROPS/E40P	1	T	T	T	T				





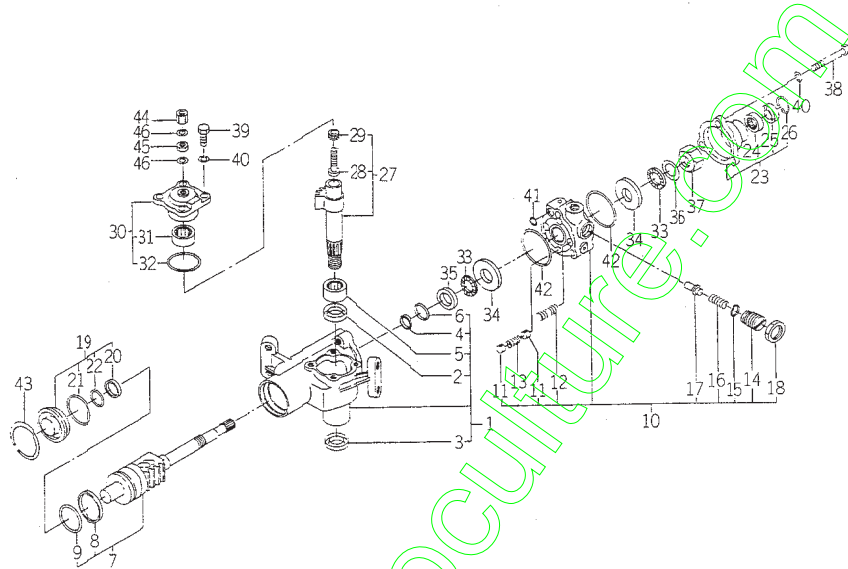
FIG.113 1614 - 406 - 210 - 00



1614-482

KEY	PART CODE	DESCRIPTION	QTY	TYPE OF MODEL				I T C	C O L	G R P	REMARKS
				TF317E	TF317FH	TF321F	TF321FH				
1	1614-406-220-00	SHAFT/SCREW ASSY	1	*	*						
2	1614-406-212-00	BEARING	2	*	*						
3	1614-406-213-00	SHAFT/SECTOR	1	*	*						
4	1614-406-214-00	COVER/SIDE	1	*	*						
5	V723-102-005-00	O-RING 1A S50	1	*	*						
6	1614-406-215-00	COVER/REAR	1	*	*						
7	1614-406-216-00	SEAL/OIL	1	*	*						
8	1429-406-207-00	SEAL,OIL	1	*	*						
9	1429-406-208-00	PACKING, SIDE COVER	1	*	*						
10	1614-406-217-00	SCREW	1	*	*						
11	1429-406-212-00	SHIM, ADJ, SCREW SET	1	*	*						
12	V211-560-802-00	BOLT/M8X20	3	*	*						
13	V334-460-010-00	NUT/M10 7T P=1.25	1	*	*						
14	1614-406-218-00	NUT	1	*	*						
15	1614-406-219-00	PLUG	1	*	*						

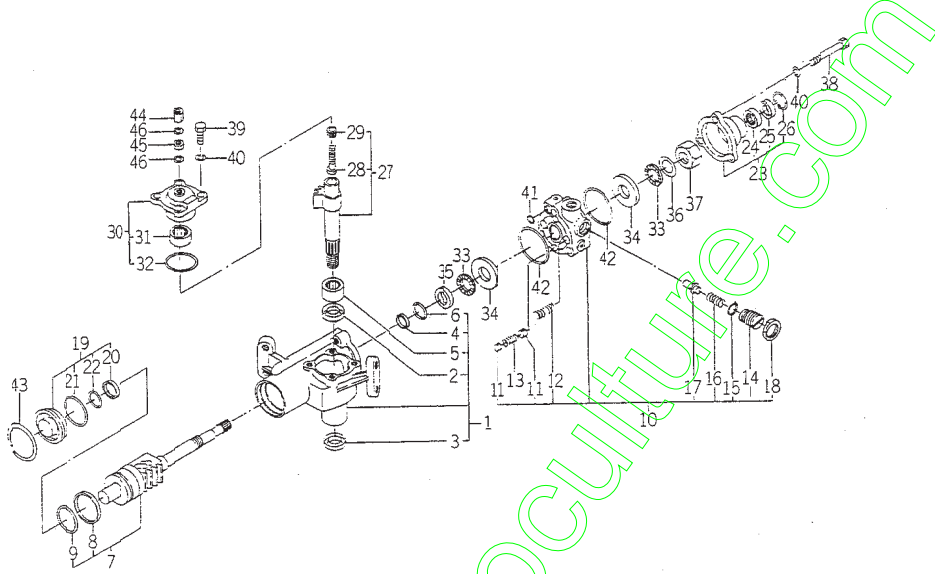
FIG.114 1614 - 407 - 210 - 0



16M-4072

KEY	PART CODE	DESCRIPTION	QTY	TYPE OF MODEL				I	C	G	R	REMARKS
				TF317F	TF317FH	TF321F	TF321FH					
1	1614 - 407 - 320 - 00	CASE/GEAR ASSY	1			*	*					
2	1614 - 407 - 322 - 00	SEAL/OIL	1			*	*					
3	1614 - 407 - 323 - 00	SEAL	1			*	*					
4	1614 - 407 - 324 - 00	SEAL	1			*	*					
5	1614 - 407 - 325 - 00	BEARING/NEEDLE	1			*	*					
6	V723 - 102 - 002 - 50	O-RING	1			*	*					
7	1614 - 407 - 330 - 00	SHAFT/SCREW ASSY	1			*	*					
8	1614 - 407 - 331 - 00	SEAL	1			*	*					
9	V721 - 103 - 104 - 50	O-RING/G45	1			*	*					
10	1614 - 407 - 340 - 00	VALVE ASSY	1			*	*					
11	1550 - 408 - 322 - 00	PISTON	4			*	*					
12	1550 - 408 - 327 - 00	SPRING, COIL	2			*	*					
13	1550 - 408 - 323 - 00	SPRING, COIL	2			*	*					
14	1550 - 408 - 325 - 00	BOLT	1			*	*					
15	1550 - 408 - 324 - 00	O-RING	1			*	*					
16	1444 - 408 - 312 - 00	SPRING, COIL	1			*	*					
17	1513 - 408 - 217 - 00	POPPET	1			*	*					
18	1550 - 408 - 326 - 00	NUT	1			*	*					
19	1614 - 407 - 350 - 00	COVER/END ASSY	1			*	*					
20	1614 - 407 - 352 - 00	SEAL	1			*	*					
21	1550 - 408 - 302 - 00	O-RING	1			*	*					
22	V723 - 102 - 002 - 50	O-RING	1			*	*					
23	1614 - 407 - 360 - 00	COVER/TOP ASSY	1			*	*					
24	1614 - 407 - 362 - 00	BEARING/NEEDLE	1			*	*					
25	1614 - 407 - 363 - 00	SEAL/OIL	1			*	*					

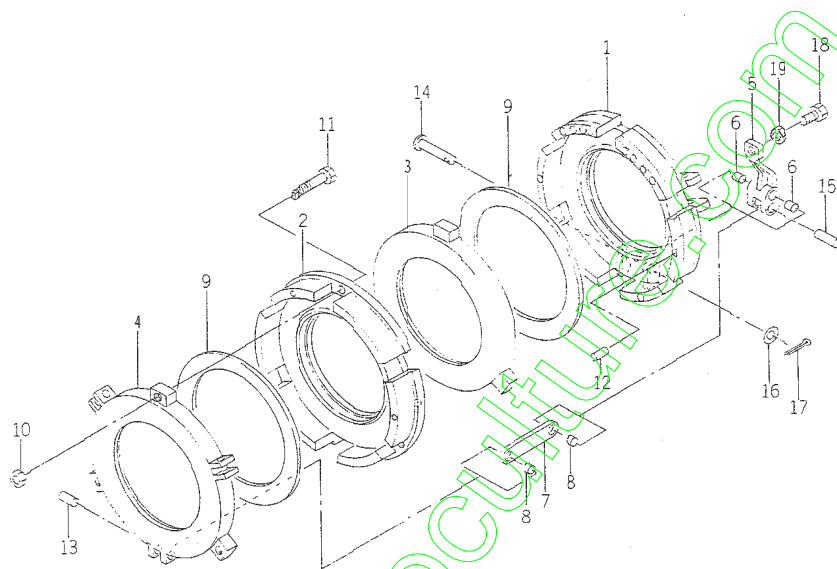
FIG.114 1614 - 407 - 210 - 00



1614-4072

KEY	PART CODE	DESCRIPTION	QTY	TYPE OF MODEL				I T C	C O L	G R P	REMARKS
				TF317F	TF317FH	TF321F	TF321FH				
26	V705 - 140 - D30 - 00	RING, SNAP/30 C	1			*	*				
27	1614 - 407 - 370 - 00	SHAFT/SECTOR ASSY	1			*	*				
28	1550 - 408 - 352 - 00	SCREW, ADJUST	1			*	*				
29	1550 - 408 - 353 - 00	ADJUSTER	1			*	*				
30	1614 - 407 - 380 - 00	COVER/SIDE ASSY	1			*	*				
31	1588 - 408 - 232 - 00	BEARING	1			*	*				
32	1550 - 408 - 302 - 00	O-RING	1			*	*				
33	1614 - 407 - 211 - 00	BEARING	2			*	*				
34	1614 - 407 - 212 - 00	WASHER	2			*	*				
35	1614 - 407 - 213 - 00	WASHER	1			*	*				
36	1614 - 407 - 214 - 00	WASHER	1			*	*				
37	1614 - 407 - 215 - 00	NUT/M0&X1.5	1			*	*				
38	1550 - 408 - 211 - 00	BOLT	3			*	*				
39	1550 - 408 - 212 - 00	BOLT	4			*	*				
40	V401 - 160 - 010 - 00	WASHER, SP/M10	7			*	*				
41	V720 - 101 - 900 - 80	O-RING/P 8	2			*	*				
42	1550 - 408 - 213 - 00	O-RING	2			*	*				
43	1614 - 407 - 216 - 00	RING/SNAP/CH	1			*	*				
44	1550 - 408 - 218 - 00	NUT	1			*	*				
45	1550 - 408 - 219 - 00	NUT	1			*	*				
46	226 - 426 - 321 - 00	PACKING	2			*	*				

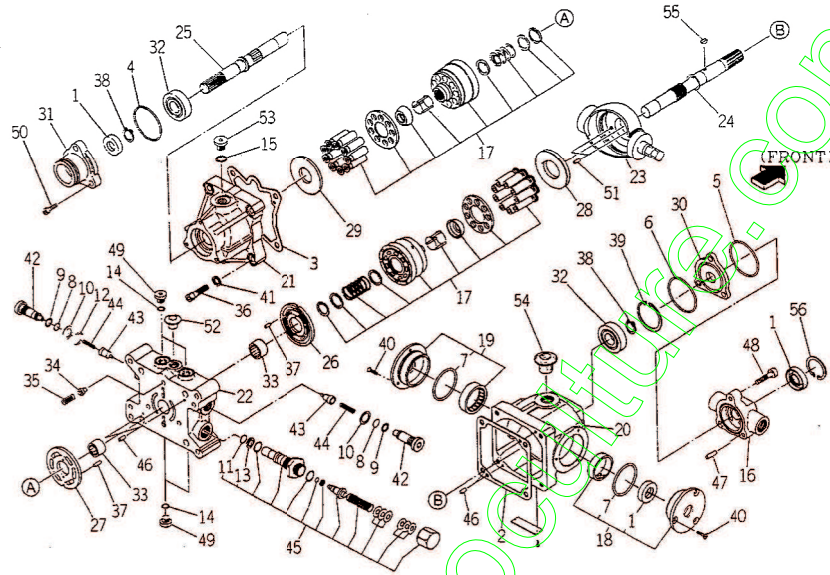
FIG.115 1620 - 121 - 250 - 00



1621-1212

KEY	PART CODE	DESCRIPTION	QTY	TYPE OF MODEL				I T C	C O L	G R P	REMARKS
				TF317F	TF317FH	TF321F	TF321FH				
1	1620 - 121 - 006 - 00	COVER/CLUTCH	1	*		*					
2	1620 - 121 - 007 - 00	COVER/CLUTCH	1	*		*					
3	1620 - 121 - 008 - 00	PLATE/PRESSURE	1	*		*					
4	1620 - 121 - 009 - 00	PLATE/PRESSURE	1	*		*					
5	1620 - 121 - 011 - 00	LEVER/RELEASE	3	*		*					
6	1620 - 121 - 012 - 00	BUSH	6	*		*					
7	1620 - 121 - 013 - 00	ROD/RELEASE	3	*		*					
8	1620 - 121 - 014 - 00	BUSH	6	*		*					
9	1620 - 121 - 015 - 00	SPRING	2	*		*					
10	V334 - 460 - 010 - 00	NUT/M10 7T P=1.25	3	*		*					
11	1620 - 121 - 016 - 00	BOLT	3	*		*					
12	1620 - 121 - 017 - 00	PIN/KNOCK	3	*		*					
13	1620 - 121 - 018 - 00	PIN	3	*		*					
14	1620 - 121 - 019 - 00	PIN	3	*		*					
15	1620 - 121 - 021 - 00	PIN	3	*		*					
16	1620 - 121 - 022 - 00	WASHER	3	*		*					
17	V500 - 163 - 501 - 50	PIN, SPLIT/2.5X15	3	*		*					
18	1620 - 121 - 023 - 00	BOLT/ADJUST	3	*		*					
19	1620 - 121 - 024 - 00	NUT	3	*		*					

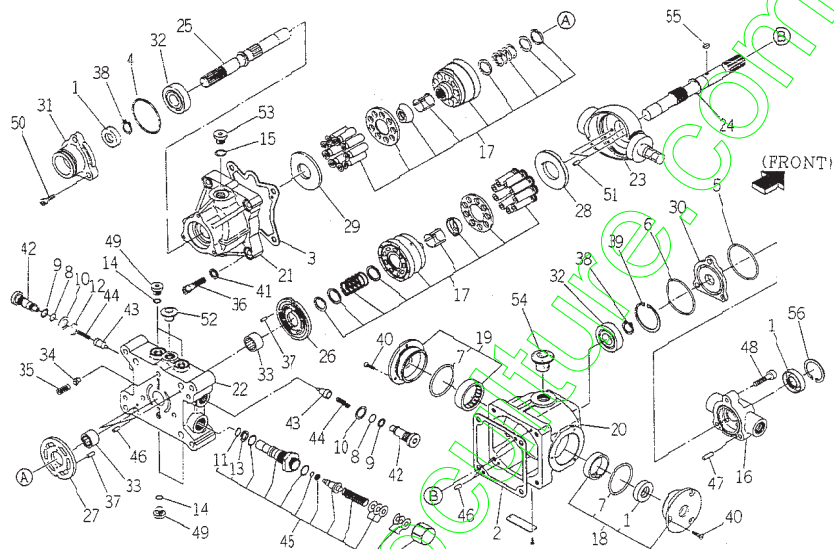
FIG.116 1620 - 202 - 500 - 00



1620-2025

KEY	PART CODE	DESCRIPTION	QTY	TYPE OF MODEL				I	T	C	O	D	REMARKS
				TF317F	TF317FH	TF321F	TF321FH						
1	1620-202-521-00	SEAL/OIL	2	*		*							
2	1620-202-522-00	GASKET	1	*		*							
3	1620-202-523-00	GASKET	1	*		*							
4	V723-102-006-00	RING/O	1	*		*							
5	V723-102-005-30	O-RING	1	*		*							
6	V723-102-005-50	O-RING	1	*		*							
7	V721-103-105-50	O-RING/G55	2	*		*							
8	V720-102-401-40	O-RING/P14	2	*		*							
9	V730-101-801-40	RING/BACKUP	2	*		*							
10	1620-202-528-00	BONDEDSEAL	2	*		*							
11	V720-102-401-20	O-RING/P12	1	*		*							
12	V720-112-401-80	O-RING/P18	1	*		*							
13	V730-101-601-20	RING/BACKUP	1	*		*							
14	V720-112-401-10	RING/O	4	*		*							
15	V720-112-401-40	O-RING/P14	1	*		*							
16	1620-202-550-00	CHARGE PUMP ASSY	1	*		*							
17	1620-202-560-00	CYLINDER BLOCK ASSY	2	*		*							
18	1620-202-570-00	COVER/A ASSY	1	*		*							
19	1620-202-580-00	COVER/B ASSY	1	*		*							
20	1620-202-501-00	CASE	1	*		*							
21	1620-202-502-00	CASE	1	*		*							
22	1620-202-503-00	PORT BLOCK	1	*		*							
23	1620-202-504-00	PLATE/SWASH	1	*		*							
24	1620-202-505-00	SHAFT	1	*		*							
25	1620-202-506-00	SHAFT	1	*		*							

FIG.116 1620 - 202 - 500 - 00

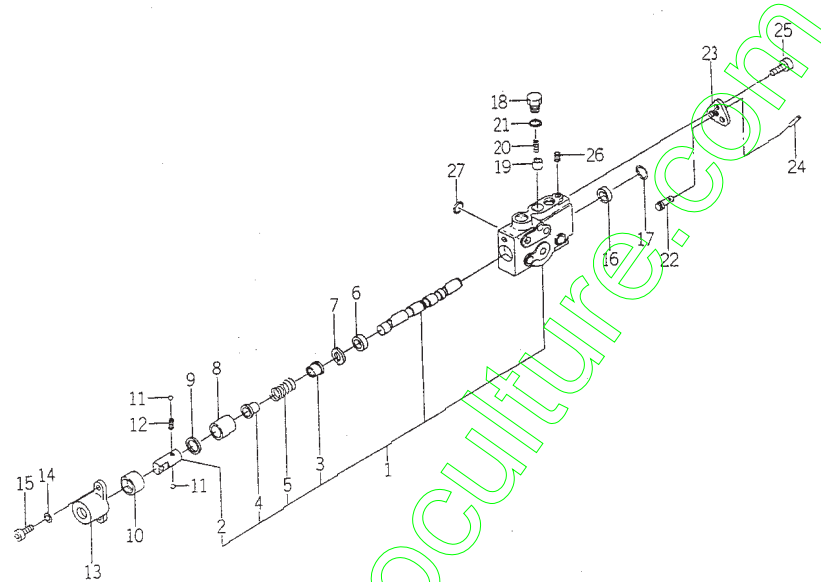


1620-2023

KEY	PART CODE	DESCRIPTION	QTY	TYPE OF MODEL				I T C	C O L	G R P	REMARKS
				TF317F	TF317FH	TF321F	TF321FH				
26	1620-202-507-00	PLATE/VALVE	1	*	*	*	*				
27	1620-202-508-00	PLATE/VALVE	1	*	*	*	*				
28	1620-202-509-00	PLATE/THRUST	1	*	*	*	*				
29	1620-202-511-00	PLATE/THRUST	1	*	*	*	*				
30	1620-202-512-00	PLATE	1	*	*	*	*				
31	1620-202-513-00	COVER	1	*	*	*	*				
32	1620-202-515-00	BEARING/BALL	2	*	*	*	*				
33	1620-202-516-00	BEARING/NEEDLE	2	*	*	*	*				
34	1620-202-517-00	VALVE	1	*	*	*	*				
35	1620-202-518-00	SPRING	1	*	*	*	*				
36	1620-202-519-00	BOLT	4	*	*	*	*				
37	1620-202-524-00	PIN	2	*	*	*	*				
38	V704-140-020-00	RING, SNAP/20G	2	*	*	*	*				
39	V705-140-052-00	RING, SNAP/52 C	1	*	*	*	*				
40	V112-185-001-20	SCREW/M5X12	6	*	*	*	*				
41	V411-260-010-00	WASHER/M10	8	*	*	*	*				
42	1620-202-525-00	PLUG	2	*	*	*	*				
43	1620-202-526-00	POPPET	2	*	*	*	*				
44	1620-202-527-00	SPRING	2	*	*	*	*				
45	1620-202-529-00	VALVE/S/A	1	*	*	*	*				
46	1620-202-531-00	PIN	1	*	*	*	*				
47	1620-202-532-00	PIN	2	*	*	*	*				
48	V220-540-803-50	SCREW/ SOCKET	3	*	*	*	*				
49	1620-202-533-00	PLUG	4	*	*	*	*				
50	V220-540-601-60	BOLT	3	*	*	*	*				



FIG.117 1640 - 530 - 600 - 00



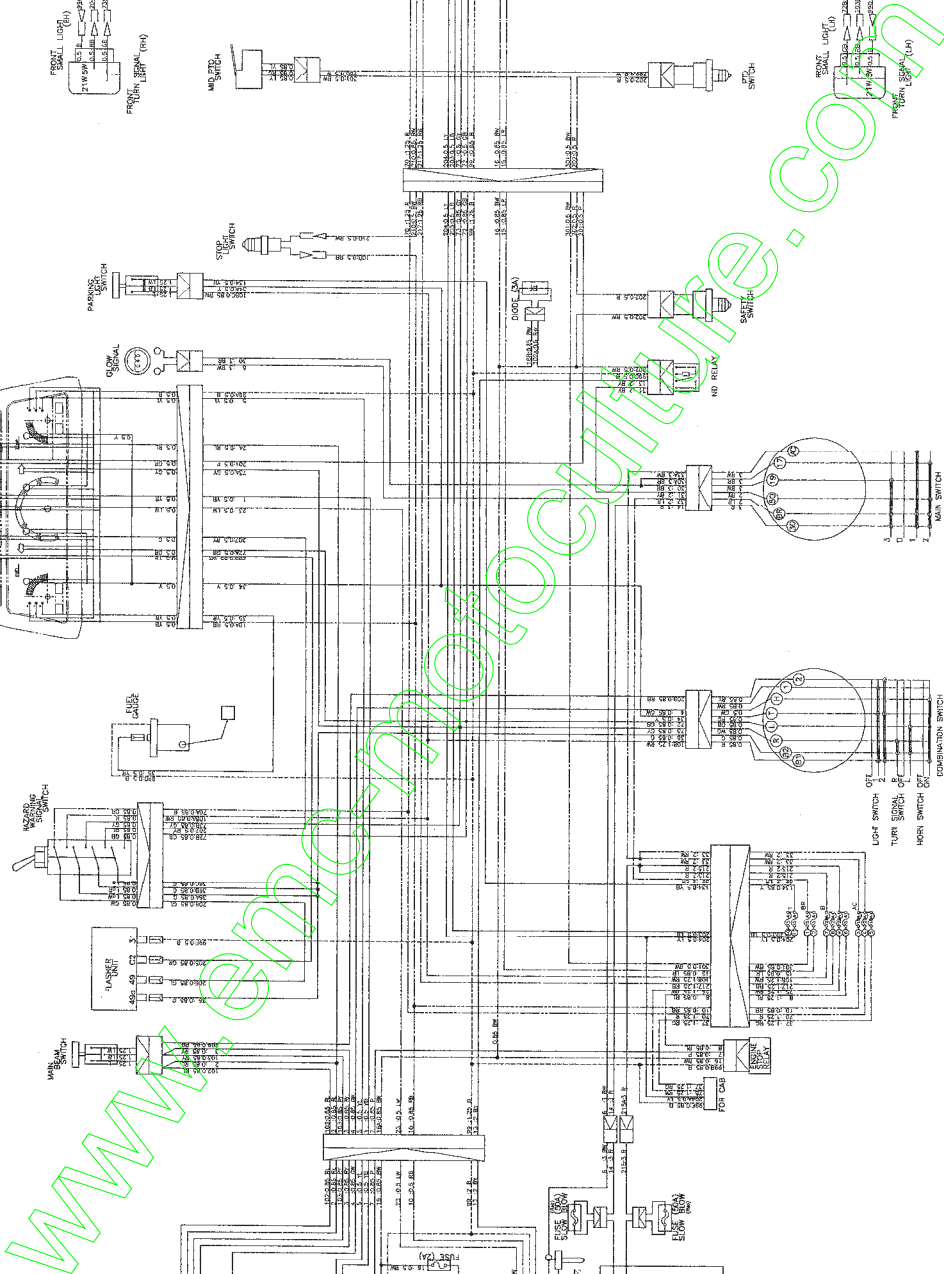
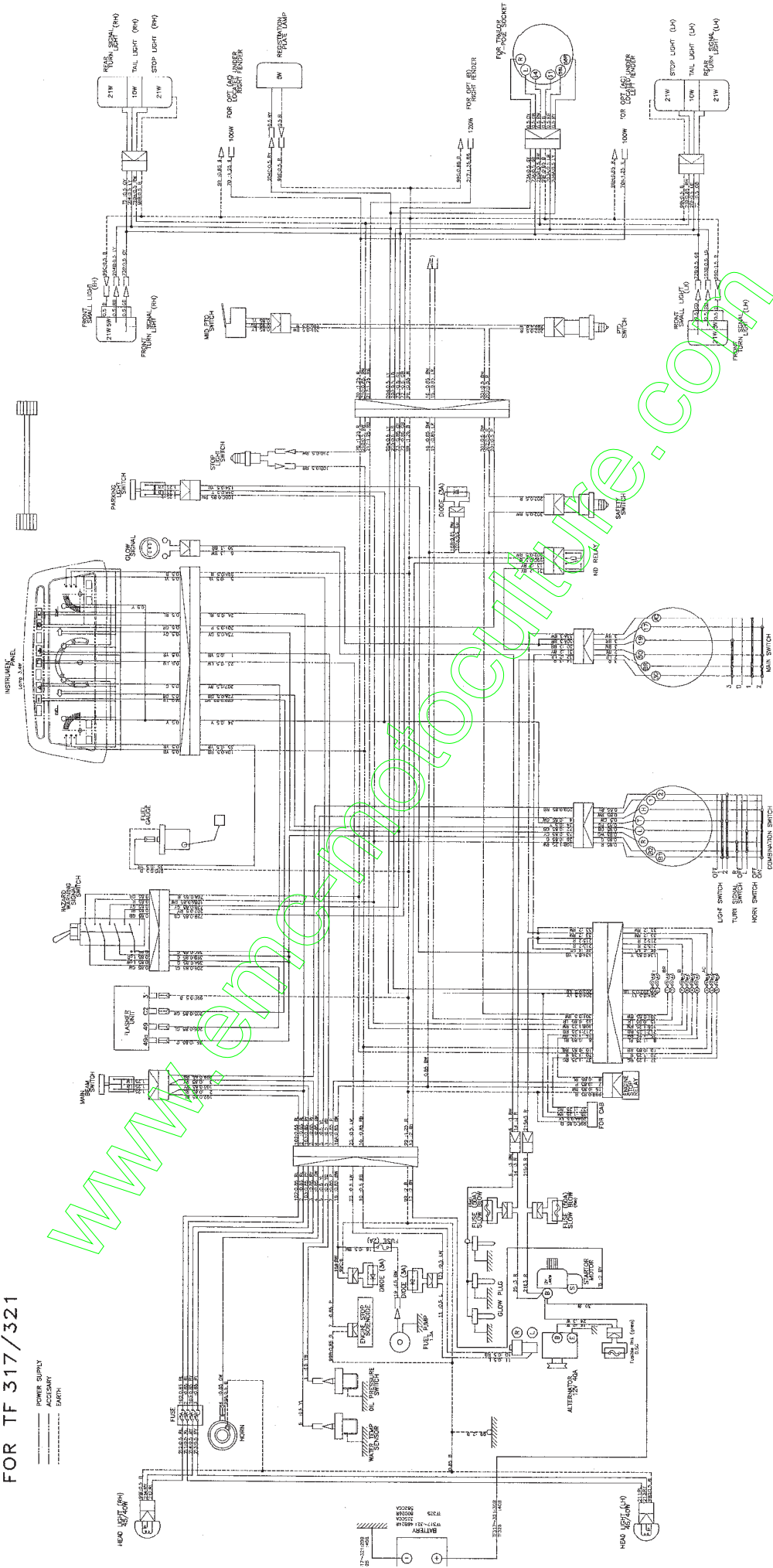
1640-5306

KEY	PART CODE	DESCRIPTION	QTY	TYPE OF MODEL				I T C	C O L	G R A D	REMARKS
				TF317F	TF317FH	TF321F	TF321FH				
1	1640-530-610-00	VALVE SET	1	T	T	T	T				
2	1640-530-613-00	HEAD/SPOOL	1	T	T	T	T				
3	1640-530-614-00	STOPPER/SPRING/A	1	T	T	T	T				
4	1640-530-615-00	STOPPER/SPRING/B	1	T	T	T	T				
5	K211-012-006-00	SPRING/HCO42	1	T	T	T	T				
6	K211-004-007-00	SEAL, OIL/TC4, 14247	1	T	T	T	T				
7	K211-004-006-00	COLLAR	1	T	T	T	T				
8	1640-530-622-00	SLEEVE	1	T	T	T	T				
9	1640-530-623-00	COLLAR/19X28X02	1	T	T	T	T				
10	1640-530-624-00	SLEEVE/DETENT	1	T	T	T	T				
11	V681-200-000-60	BALL, STEEL	2	T	T	T	T				
12	1640-530-625-00	SPRING/HCO15	1	T	T	T	T				
13	1640-530-626-00	COVER	1	T	T	T	T				
14	V401-160-008-00	WASHER, SP/M 8	2	T	T	T	T				
15	V220-540-802-00	SCREW/SOCKET	2	T	T	T	T				
16	K211-004-007-00	SEAL, OIL/TC4, 14247	1	T	T	T	T				
17	VX05-140-024-00	RING, SNAP	1	T	T	T	T				
18	1640-530-628-00	PLUG/M14	1	T	T	T	T				
19	1640-530-629-00	POPPET	1	T	T	T	T				
20	K110-001-106-00	SPRING	1	T	T	T	T				
21	V720-112-401-20	O-RING/P12	1	T	T	T	T				
22	1640-530-631-00	SPOOL/DELECT	1	T	T	T	T				
23	1640-530-632-00	PLATE	1	T	T	T	T				
24	V560-140-302-50	SPRING PIN (W)	1	T	T	T	T				
25	V220-540-601-00	BOLT	3	T	T	T	T				





# ELECTRIC WIRING DIAGRAM FOR TF 317/321





PART CODE	REF. NO	PART CODE	REF. NO	PART CODE	REF. NO	PART CODE	REF. NO	PART CODE	REF. NO
6215-342-001-00	24	6215-345-023-00	24	6215-410-005-10	10	6215-635-014-00	26	6215-635-014-00	26
6215-342-001-00	25	6215-345-024-00	25	6215-410-007-10	10	6215-635-015-00	26	6215-635-015-00	26
6215-343-001-00	24	6215-345-024-00	24	6215-410-008-10	10	6215-635-016-00	26	6215-635-016-00	26
6215-343-001-00	25	6215-345-025-00	25	6215-412-002-10	21	6215-631-001-00	28	6215-631-001-00	28
6215-345-001-00	24	6215-345-025-00	24	6215-419-001-00	21	6215-634-001-00	26	6215-634-001-00	26
6215-345-001-00	25	6215-345-026-00	25	6215-520-001-00	20	6215-635-001-00	26	6215-635-001-00	26
6215-345-002-00	24	6215-345-026-00	24	6215-526-001-10	20	6215-637-001-00	26	6215-637-001-00	26
6215-345-002-00	25	6215-345-027-00	25	6215-531-006-10	20	6215-639-004-00	26	6215-639-004-00	26
6215-346-009-00	24	6215-345-027-00	24	6215-541-001-00	20	6215-639-005-00	26	6215-639-005-00	26
6215-346-009-00	25	6215-345-028-00	25	6215-541-016-10	20	6215-641-001-00	26	6215-641-001-00	26
6215-345-004-00	24	6215-345-028-00	24	6215-541-022-10	20	6215-643-001-00	26	6215-643-001-00	26
6215-345-005-00	24	6215-345-029-00	24	6215-542-004-20	9	6215-644-001-00	26	6215-644-001-00	26
6215-345-005-00	25	6215-345-029-00	25	6215-542-005-00	9	6215-649-001-00	26	6215-649-001-00	26
6215-345-006-00	24	6215-345-030-00	24	6215-542-006-00	20	6215-649-002-00	26	6215-649-002-00	26
6215-345-006-00	25	6215-345-031-00	25	6215-543-002-10	20	6215-649-003-00	26	6215-649-003-00	26
6215-345-007-00	24	6215-345-031-00	24	6215-548-005-10	20	6215-649-004-00	26	6215-649-004-00	26
6215-345-007-00	25	6215-345-031-00	25	6215-548-006-00	20	6215-649-005-00	26	6215-649-005-00	26
6215-345-008-00	24	6215-345-032-00	24	6215-548-007-00	20	6215-649-006-00	26	6215-649-006-00	26
6215-345-008-00	25	6215-345-033-00	25	6215-548-008-00	20	6215-649-007-00	26	6215-649-007-00	26
6215-345-009-00	24	6215-345-033-00	24	6215-548-009-00	20	6215-649-008-00	26	6215-649-008-00	26
6215-345-009-00	25	6215-345-034-00	25	6215-549-010-00	20	6215-649-009-00	26	6215-649-009-00	26
6215-345-010-00	24	6215-345-034-00	24	6215-549-012-00	20	6215-649-010-00	26	6215-649-010-00	26
6215-345-010-00	25	6215-345-034-00	25	6215-549-013-00	5	6215-649-011-00	26	6215-649-011-00	26
6215-345-011-00	24	6215-345-035-00	24	6215-549-023-00	20	6215-649-012-00	26	6215-649-012-00	26
6215-345-011-00	25	6215-345-035-00	25	6215-549-024-00	20	6215-649-013-00	26	6215-649-013-00	26
6215-345-012-00	24	6215-345-036-00	24	6215-549-027-10	20	6215-649-014-00	26	6215-649-014-00	26
6215-345-012-00	25	6215-345-036-00	25	6215-549-028-00	20	6215-649-015-00	26	6215-649-015-00	26
6215-345-013-00	24	6215-345-037-00	24	6215-549-032-20	20	6215-649-016-00	26	6215-649-016-00	26
6215-345-013-00	25	6215-345-037-00	25	6215-549-033-00	20	6215-649-017-00	26	6215-649-017-00	26
6215-345-014-00	24	6215-345-038-00	24	6215-549-034-00	20	6215-649-018-00	26	6215-649-018-00	26
6215-345-014-00	25	6215-345-038-00	25	6215-549-035-00	20	6215-649-019-00	26	6215-649-019-00	26
6215-345-015-00	24	6215-345-039-00	24	6215-618-010-00	26	6215-649-020-00	26	6215-649-020-00	26
6215-345-015-00	25	6215-345-039-00	25	6215-618-010-00	26	6215-649-021-00	26	6215-649-021-00	26
6215-345-016-00	24	6215-345-040-00	24	6215-618-010-00	26	6215-649-022-00	26	6215-649-022-00	26
6215-345-016-00	25	6215-345-040-00	25	6215-618-010-00	26	6215-649-023-00	26	6215-649-023-00	26
6215-345-017-00	24	6215-345-041-00	24	6215-618-010-00	26	6215-649-024-00	26	6215-649-024-00	26
6215-345-017-00	25	6215-345-041-00	25	6215-618-010-00	26	6215-649-025-00	26	6215-649-025-00	26
6215-345-018-00	24	6215-345-042-00	24	6215-618-010-00	26	6215-649-026-00	26	6215-649-026-00	26
6215-345-018-00	25	6215-345-042-00	25	6215-618-010-00	26	6215-649-027-00	26	6215-649-027-00	26
6215-345-019-00	24	6215-345-043-00	24	6215-618-010-00	26	6215-649-028-00	26	6215-649-028-00	26
6215-345-019-00	25	6215-345-043-00	25	6215-618-010-00	26	6215-649-029-00	26	6215-649-029-00	26
6215-345-020-00	24	6215-345-044-00	24	6215-618-010-00	26	6215-649-030-00	26	6215-649-030-00	26
6215-345-020-00	25	6215-345-044-00	25	6215-618-010-00	26	6215-649-031-00	26	6215-649-031-00	26
6215-345-021-00	24	6215-345-045-00	24	6215-618-010-00	26	6215-649-032-00	26	6215-649-032-00	26
6215-345-021-00	25	6215-345-045-00	25	6215-618-010-00	26	6215-649-033-00	26	6215-649-033-00	26
6215-345-022-00	24	6215-345-046-00	24	6215-618-010-00	26	6215-649-034-00	26	6215-649-034-00	26
6215-345-022-00	25	6215-345-046-00	25	6215-618-010-00	26	6215-649-035-00	26	6215-649-035-00	26



PART CODE	REF. NO	PART CODE	REF. NO	PART CODE	REF. NO	PART CODE	REF. NO	PART CODE	REF. NO
6281-221-001-00	28	6901-910-816-00	16	6909-150-508-00	20	6901-910-820-00	11	6909-150-508-00	20
6281-222-004-00	28	6901-910-820-00	3	6909-164-508-00	11	6901-910-820-00	22	6909-164-508-00	11
6281-225-802-00	28		9	6909-202-308-00	9	6901-910-845-00	13	6909-202-308-00	9
6281-228-808-00	28		17	6909-571-414-00	7	6901-910-845-00	21	6909-571-414-00	7
6281-228-808-00	28		17	6909-572-008-00	2	6901-910-845-00	21	6909-572-008-00	2
6281-228-808-00	28		22	6909-500-212-00	5	6901-910-845-00	21	6909-500-212-00	5
6281-228-808-00	28	6901-910-825-00	4	6909-502-289-00	5	6901-910-845-00	21	6909-502-289-00	5
6281-228-808-00	28	6901-910-845-00	13	6909-506-105-00	16	6901-910-845-00	21	6909-506-105-00	16
6281-228-808-00	28	6901-910-845-00	9	6909-826-845-00	9	6901-910-845-00	21	6909-826-845-00	9
6281-228-808-00	28	6901-910-845-00	17		9	6901-910-845-00	21		9
6281-229-011-00	28	6901-911-025-00	8		16	6901-911-025-00	14		16
6281-229-012-00	28	6902-950-815-00	9	6911-129-005-00	1	6901-911-025-00	14	6911-129-005-00	1
6281-229-013-00	28	6902-950-815-00	20	6911-129-083-00	5	6901-911-025-00	14	6911-129-083-00	5
6281-229-014-00	28	6902-950-815-00	20	6911-219-185-00	5	6901-911-025-00	14	6911-219-185-00	5
6281-229-015-00	28	6902-950-815-00	5	6912-333-036-10	15	6901-911-025-00	14	6912-333-036-10	15
6281-229-016-00	28	6904-110-822-00	9	6989-202-314-00	7	6901-911-025-00	14	6989-202-314-00	7
6281-229-017-00	28	6904-110-822-00	9		3				
6281-229-018-00	28		25						
6281-229-018-00	28	6904-110-840-00	5						
6281-229-028-00	28	6904-110-840-00	5						
6281-229-041-00	27	6904-110-860-00	17						
6281-271-002-00	28	6904-110-860-00	9						
6281-410-002-00	23	6908-000-16-00	20						
6281-510-003-00	23	6908-000-16-00	20						
6281-510-003-00	23	6908-000-16-00	20						
6281-520-001-00	23	6908-000-750-00	15						
6500-000-018-10	15	6908-160-408-00	16						
6500-000-084-00	0	6908-160-612-00	16						
6509-605-019-10	5	6908-160-816-00	5						
6509-605-019-10	9	6908-160-816-00	15						
6509-605-019-10	2	6908-161-018-00	2						
6509-704-059-00	21	6908-161-018-00	15						
6511-321-083-00	9	6908-161-022-00	8						
6513-721-043-00	5	6909-110-406-00	9						
6513-770-022-10	17	6909-110-406-00	20						
6581-117-007-00	27	6909-110-408-00	9						
6581-129-032-00	27		9						
6591-129-039-00	27	6909-110-410-00	22						
6592-450-018-00	23		9						
6604-550-302-00	13		11						
6604-550-302-00	13		21						
6801-950-849-00	15		17						
6801-950-849-00	15		28						
6901-910-612-00	15	6909-111-508-00	27						
6901-910-612-00	7	6908-150-506-00	20						
6901-910-612-00	12	6908-150-508-00	9						
6901-910-612-00	20	6908-150-508-00	9						
6901-910-612-00	23		9						
6901-910-612-00	8		56						
6901-910-612-00	9		17						
6901-910-612-00	38		15						
6901-910-612-00	16		21						

PART CODE	REF . NO	PART CODE	REF . NO	PART CODE	REF . NO	PART CODE	REF . NO	PART CODE	REF . NO		
V201-361-207-00	22	8	6208-583-001-00	13	4	6212-111-013-10	13	1	6213-149-062-00	16	10
V341-120-008-00	9	20	6209-605-004-00	1	4	6212-114-013-10	14	1	6213-161-001-00	9	28
V401-160-012-00	22	9	6209-610-001-00	5	3	6212-116-013-10	14	3	6213-163-062-00	9	31
V411-260-006-00	20	40	6209-610-002-00	9	3	6212-121-008-00	13	2	6213-164-001-00	9	30
V500-110-600-50	8	50	6208-628-001-00	6	17	6212-124-008-00	14	2	6213-249-082-00	10	15
V600-110-600-30	20	33	6209-530-002-00	9	7	6212-127-002-00	13	4	6213-311-006-00	16	12
V600-330-600-20	15	7	6209-740-001-00	9	27	6212-230-004-00	13	5	6213-316-005-20	17	24
V681-208-060-60	11	16	6209-749-001-00	9	45	6212-238-001-00	13	6	6213-611-003-20	17	7
V704-340-015-00	11	16	6209-840-004-00	11	15	6212-261-002-00	13	8	6213-612-004-00	17	9
V710-140-044-00	20	23	6211-110-014-20	1	1	6212-264-002-00	6	9	6213-613-002-10	17	8
V770-101-300-80	20	36	6211-141-008-20	1	10	6212-266-002-00	6	10	6213-614-003-10	17	12
V770-102-401-50	16	9	6211-150-011-00	1	2	6212-310-008-00	15	1	6213-614-004-10	17	17
V773-102-002-40	9	37	6211-170-004-10	2	1	6212-330-024-10	15	5	6213-619-001-00	17	16
V773-102-005-00	17	44	6211-173-008-00	2	3	6212-371-010-10	15	5	6213-619-002-00	17	11
V773-121-001-00	22	4	6211-210-046-00	5	1	6212-379-001-00	15	10	6213-619-003-00	17	10
V815-621-004-00	7	15	6212-255-001-00	5	3	6212-511-002-00	12	1	6213-621-003-00	17	6
V815-621-004-00	7	15	6212-256-001-00	5	3	6212-521-002-00	15	3	6213-622-002-00	17	5
V815-621-004-00	7	15	6212-257-001-00	5	3	6212-522-003-00	12	2	6213-631-002-00	17	3
V815-621-004-00	7	15	6212-258-001-00	5	3	6212-523-004-00	12	0	6213-631-002-00	17	4
V815-621-004-00	7	15	6212-259-001-00	5	3	6212-524-005-00	12	1	6213-631-002-00	17	2
V815-621-004-00	7	15	6212-260-001-00	5	3	6212-525-006-00	12	1	6213-631-002-00	17	1
V815-621-004-00	7	15	6212-261-001-00	5	3	6212-526-007-00	12	1	6213-631-002-00	17	1
V815-621-004-00	7	15	6212-262-001-00	5	3	6212-527-008-00	12	1	6213-631-002-00	17	1
V815-621-004-00	7	15	6212-263-001-00	5	3	6212-528-009-00	12	1	6213-631-002-00	17	1
V815-621-004-00	7	15	6212-264-001-00	5	3	6212-529-000-00	12	1	6213-631-002-00	17	1
V815-621-004-00	7	15	6212-265-001-00	5	3	6212-530-001-00	12	1	6213-631-002-00	17	1
V815-621-004-00	7	15	6212-266-001-00	5	3	6212-531-002-00	12	1	6213-631-002-00	17	1
V815-621-004-00	7	15	6212-267-001-00	5	3	6212-532-003-00	12	1	6213-631-002-00	17	1
V815-621-004-00	7	15	6212-268-001-00	5	3	6212-533-004-00	12	1	6213-631-002-00	17	1
V815-621-004-00	7	15	6212-269-001-00	5	3	6212-534-005-00	12	1	6213-631-002-00	17	1
V815-621-004-00	7	15	6212-270-001-00	5	3	6212-535-006-00	12	1	6213-631-002-00	17	1
V815-621-004-00	7	15	6212-271-001-00	5	3	6212-536-007-00	12	1	6213-631-002-00	17	1
V815-621-004-00	7	15	6212-272-001-00	5	3	6212-537-008-00	12	1	6213-631-002-00	17	1
V815-621-004-00	7	15	6212-273-001-00	5	3	6212-538-009-00	12	1	6213-631-002-00	17	1
V815-621-004-00	7	15	6212-274-001-00	5	3	6212-539-000-00	12	1	6213-631-002-00	17	1
V815-621-004-00	7	15	6212-275-001-00	5	3	6212-540-001-00	12	1	6213-631-002-00	17	1
V815-621-004-00	7	15	6212-276-001-00	5	3	6212-541-002-00	12	1	6213-631-002-00	17	1
V815-621-004-00	7	15	6212-277-001-00	5	3	6212-542-003-00	12	1	6213-631-002-00	17	1
V815-621-004-00	7	15	6212-278-001-00	5	3	6212-543-004-00	12	1	6213-631-002-00	17	1
V815-621-004-00	7	15	6212-279-001-00	5	3	6212-544-005-00	12	1	6213-631-002-00	17	1
V815-621-004-00	7	15	6212-280-001-00	5	3	6212-545-006-00	12	1	6213-631-002-00	17	1
V815-621-004-00	7	15	6212-281-001-00	5	3	6212-546-007-00	12	1	6213-631-002-00	17	1
V815-621-004-00	7	15	6212-282-001-00	5	3	6212-547-008-00	12	1	6213-631-002-00	17	1
V815-621-004-00	7	15	6212-283-001-00	5	3	6212-548-009-00	12	1	6213-631-002-00	17	1
V815-621-004-00	7	15	6212-284-001-00	5	3	6212-549-000-00	12	1	6213-631-002-00	17	1
V815-621-004-00	7	15	6212-285-001-00	5	3	6212-550-001-00	12	1	6213-631-002-00	17	1
V815-621-004-00	7	15	6212-286-001-00	5	3	6212-551-002-00	12	1	6213-631-002-00	17	1
V815-621-004-00	7	15	6212-287-001-00	5	3	6212-552-003-00	12	1	6213-631-002-00	17	1
V815-621-004-00	7	15	6212-288-001-00	5	3	6212-553-004-00	12	1	6213-631-002-00	17	1
V815-621-004-00	7	15	6212-289-001-00	5	3	6212-554-005-00	12	1	6213-631-002-00	17	1
V815-621-004-00	7	15	6212-290-001-00	5	3	6212-555-006-00	12	1	6213-631-002-00	17	1
V815-621-004-00	7	15	6212-291-001-00	5	3	6212-556-007-00	12	1	6213-631-002-00	17	1
V815-621-004-00	7	15	6212-292-001-00	5	3	6212-557-008-00	12	1	6213-631-002-00	17	1
V815-621-004-00	7	15	6212-293-001-00	5	3	6212-558-009-00	12	1	6213-631-002-00	17	1
V815-621-004-00	7	15	6212-294-001-00	5	3	6212-559-000-00	12	1	6213-631-002-00	17	1
V815-621-004-00	7	15	6212-295-001-00	5	3	6212-560-001-00	12	1	6213-631-002-00	17	1
V815-621-004-00	7	15	6212-296-001-00	5	3	6212-561-002-00	12	1	6213-631-002-00	17	1
V815-621-004-00	7	15	6212-297-001-00	5	3	6212-562-003-00	12	1	6213-631-002-00	17	1
V815-621-004-00	7	15	6212-298-001-00	5	3	6212-563-004-00	12	1	6213-631-002-00	17	1
V815-621-004-00	7	15	6212-299-001-00	5	3	6212-564-005-00	12	1	6213-631-002-00	17	1
V815-621-004-00	7	15	6212-300-001-00	5	3	6212-565-006-00	12	1	6213-631-002-00	17	1
V815-621-004-00	7	15	6212-301-001-00	5	3	6212-566-007-00	12	1	6213-631-002-00	17	1
V815-621-004-00	7	15	6212-302-001-00	5	3	6212-567-008-00	12	1	6213-631-002-00	17	1
V815-621-004-00	7	15	6212-303-001-00	5	3	6212-568-009-00	12	1	6213-631-002-00	17	1
V815-621-004-00	7	15	6212-304-001-00	5	3	6212-569-000-00	12	1	6213-631-002-00	17	1
V815-621-004-00	7	15	6212-305-001-00	5	3	6212-570-001-00	12	1	6213-631-002-00	17	1
V815-621-004-00	7	15	6212-306-001-00	5	3	6212-571-002-00	12	1	6213-631-002-00	17	1
V815-621-004-00	7	15	6212-307-001-00	5	3	6212-572-003-00	12	1	6213-631-002-00	17	1
V815-621-004-00	7	15	6212-308-001-00	5	3	6212-573-004-00	12	1	6213-631-002-00	17	1
V815-621-004-00	7	15	6212-309-001-00	5	3	6212-574-005-00	12	1	6213-631-002-00	17	1
V815-621-004-00	7	15	6212-310-001-00	5	3	6212-575-006-00	12	1	6213-631-002-00	17	1
V815-621-004-00	7	15	6212-311-001-00	5	3	6212-576-007-00	12	1	6213-631-002-00	17	1
V815-621-004-00	7	15	6212-312-001-00	5	3	6212-577-008-00	12	1	6213-631-002-00	17	1
V815-621-004-00	7	15	6212-313-001-00	5	3	6212-578-009-00	12	1	6213-631-002-00	17	1
V815-621-004-00	7	15	6212-314-001-00	5	3	6212-579-000-00	12	1	6213-631-002-00	17	1
V815-621-004-00	7	15	6212-315-001-00	5	3	6212-580-001-00	12	1	6213-631-002-00	17	1
V815-621-004-00	7	15	6212-316-001-00	5	3	6212-581-002-00	12	1	6213-631-002-00	17	1
V815-621-004-00	7	15	6212-317-001-00	5	3	6212-582-003-00	12	1	6213-631-002-00	17	1
V815-621-004-00	7	15	6212-318-001-00	5	3	6212-583-004-00	12	1	6213-631-002-00	17	1
V815-621-004-00	7	15	6212-319-001-00	5	3	6212-584-005-00	12	1	6213-631-002-00	17	1
V815-621-004-00	7	15	6212-320-001-00	5	3	6212-585-006-00	12	1	6213-631-002-00	17	1
V815-621-004-00	7	15	6212-321-001-00	5	3	6212-586-007-00	12	1	6213-631-002-00	17	1
V815-621-004-00	7	15	6212-322-001-00	5	3	6212-587-008-00	12	1	6213-631-002-00	17	1
V815-621-004-00	7	15	6212-323-001-00	5	3	6212-588-009-00	12	1	6213-631-002-00	17	1
V815-621-004-00	7	15	6212-324-001-00	5	3	6212-589-000-00	12	1	6213-631-002-00	17	1
V815-621-004-00	7	15	6212-325-001-00	5	3	6212-590-001-00	12	1	6213-631-002-00	17	1
V815-621-004-00	7	15	6212-326-001-00	5	3	6212-591-002-00	12	1	6213-631-002-00	17	1
V815-621-004-00	7	15	6212-327-001-00	5	3	6212-592-003-00	12	1	6213-631-002-00	17	1
V815-621-004-00	7	15	6212-328-001-00	5	3	6212-593-004-00	12	1	6213-631-002-00	17	1
V815-621-004-00	7	15	6212-329-001-00	5	3	6212-594-005-00	12	1			

PART CODE	REF. NO	PART CODE	REF. NO	PART CODE	REF. NO	PART CODE	REF. NO	PART CODE	REF. NO
6215-342-001-00	24	6215-345-023-00	24	6215-410-006-10	19	6215-629-014-00	26	6215-629-014-00	26
6215-343-001-00	29	6215-345-024-00	29	6215-410-007-10	19	6215-629-015-00	26	6215-629-015-00	26
6215-343-001-00	24	6215-345-025-00	25	6215-410-008-10	19	6215-631-001-00	26	6215-631-001-00	26
6215-343-001-00	25	6215-345-026-00	24	6215-412-002-10	21	6215-634-001-00	26	6215-634-001-00	26
6215-343-002-00	24	6215-345-027-00	24	6215-415-001-00	21	6215-635-001-00	26	6215-635-001-00	26
6215-343-002-00	24	6215-345-028-00	25	6215-531-005-10	20	6215-636-004-00	26	6215-636-004-00	26
6215-343-002-00	25	6215-345-029-00	25	6215-541-001-00	20	6215-639-005-00	26	6215-639-005-00	26
6215-343-002-00	24	6215-345-030-00	24	6215-541-016-10	20	6215-641-001-00	26	6215-641-001-00	26
6215-343-002-00	24	6215-345-031-00	24	6215-541-022-10	20	6215-643-001-00	26	6215-643-001-00	26
6215-343-002-00	25	6215-345-032-00	25	6215-542-005-00	9	6215-644-001-00	26	6215-644-001-00	26
6215-343-002-00	24	6215-345-033-00	24	6215-542-006-00	20	6215-649-002-00	26	6215-649-002-00	26
6215-343-002-00	25	6215-345-034-00	25	6215-543-002-10	20	6219-310-003-00	9	6219-310-003-00	9
6215-343-002-00	24	6215-345-035-00	24	6215-546-003-00	8	6219-310-004-00	9	6219-310-004-00	9
6215-343-002-00	24	6215-345-036-00	24	6215-549-005-10	20	6219-732-002-00	23	6219-732-002-00	23
6215-343-002-00	25	6215-345-037-00	25	6215-549-006-00	20	6219-732-005-00	20	6219-732-005-00	20
6215-343-002-00	24	6215-345-038-00	24	6215-549-007-00	20	6219-732-007-00	20	6219-732-007-00	20
6215-343-002-00	24	6215-345-039-00	24	6215-548-010-00	20	6219-732-008-00	20	6219-732-008-00	20
6215-343-002-00	24	6215-345-040-00	24	6215-548-016-00	20	6219-732-009-00	20	6219-732-009-00	20
6215-343-002-00	25	6215-345-041-00	25	6215-549-012-00	20	6219-732-010-00	20	6219-732-010-00	20
6215-343-002-00	24	6215-345-042-00	24	6215-549-013-00	25	6281-111-005-00	27	6281-111-005-00	27
6215-343-002-00	25	6215-345-043-00	25	6215-549-023-00	20	6281-115-008-00	27	6281-115-008-00	27
6215-343-002-00	24	6215-345-044-00	24	6215-549-024-00	20	6281-115-009-00	27	6281-115-009-00	27
6215-343-002-00	25	6215-345-045-00	25	6215-549-077-00	20	6281-115-010-00	27	6281-115-010-00	27
6215-343-002-00	24	6215-345-046-00	24	6215-600-052-00	20	6281-116-004-00	27	6281-116-004-00	27
6215-343-002-00	25	6215-345-047-00	25	6215-611-001-00	26	6281-121-006-00	27	6281-121-006-00	27
6215-343-002-00	24	6215-345-048-00	24	6215-612-001-00	26	6281-123-005-00	27	6281-123-005-00	27
6215-343-002-00	25	6215-345-049-00	25	6215-618-009-00	26	6281-124-007-00	27	6281-124-007-00	27
6215-343-002-00	24	6215-345-050-00	24	6215-619-010-00	26	6281-129-003-00	27	6281-129-003-00	27
6215-343-002-00	25	6215-345-051-00	25	6215-619-022-00	26	6281-129-005-00	27	6281-129-005-00	27
6215-343-002-00	24	6215-345-052-00	24	6215-621-002-00	20	6281-129-038-00	27	6281-129-038-00	27
6215-343-002-00	25	6215-345-053-00	25	6215-624-001-00	26	6281-130-008-00	27	6281-130-008-00	27
6215-343-002-00	24	6215-345-054-00	24	6215-626-002-00	26	6281-130-030-00	27	6281-130-030-00	27
6215-343-002-00	25	6215-345-055-00	25	6215-626-003-00	26	6281-130-042-00	27	6281-130-042-00	27
6215-343-002-00	24	6215-345-056-00	24	6215-629-004-00	26	6281-130-043-00	27	6281-130-043-00	27
6215-343-002-00	25	6215-345-057-00	25	6215-629-005-00	26	6281-130-044-00	27	6281-130-044-00	27
6215-343-002-00	24	6215-345-058-00	24	6215-629-006-00	26	6281-151-003-00	27	6281-151-003-00	27
6215-343-002-00	25	6215-345-059-00	25	6215-629-007-00	26	6281-200-005-00	27	6281-200-005-00	27
6215-343-002-00	24	6215-345-060-00	24	6215-629-008-00	26	6281-213-006-00	28	6281-213-006-00	28
6215-343-002-00	25	6215-345-061-00	25	6215-629-009-00	26	6281-214-003-00	28	6281-214-003-00	28
6215-343-002-00	24	6215-345-062-00	24	6215-629-010-00	26	6281-214-004-00	28	6281-214-004-00	28
6215-343-002-00	25	6215-345-063-00	25	6215-629-011-00	26	6281-215-001-00	28	6281-215-001-00	28
6215-343-002-00	24	6215-345-064-00	24	6215-629-012-00	26	6281-216-001-00	28	6281-216-001-00	28
6215-343-002-00	25	6215-345-065-00	25	6215-629-013-00	26	6281-217-001-00	28	6281-217-001-00	28









PART CODE	REF. NO	PART CODE	REF. NO	PART CODE	REF. NO	PART CODE	REF. NO	PART CODE	REF. NO
6281-221-001-00	28	6901-910-816-00	16	6909-150-508-00	20				
6281-222-003-00	28	6901-910-820-00	3	6909-164-508-00	11				
6281-223-002-00	28		9	6909-202-308-00	9				
6281-223-003-00	28		12	6909-271-414-00	7				
6281-223-004-00	28		17	6909-272-202-00	4				
6281-223-005-00	28		22	6909-302-508-00	5				
6281-223-006-00	28	6901-910-835-00	4	6909-306-185-10	16				
6281-223-007-00	28	6901-910-840-00	9	6909-320-643-00	9				
6281-223-008-00	28	6901-910-840-00	3						
6281-223-009-00	28	6901-910-845-00	9						
6281-223-010-00	28		17						
6281-223-011-00	28	6901-911-025-00	8	6911-129-083-00	5				
6281-223-012-00	28	6902-050-816-00	9	6911-219-195-00	5				
6281-223-013-00	28	6902-050-820-00	20	6912-333-086-10	15				
6281-223-014-00	28	6904-110-818-00	5	6912-333-086-10	15				
6281-223-015-00	28	6904-110-822-00	9	6912-333-086-10	15				
6281-223-016-00	28		24	6912-333-086-10	15				
6281-223-017-00	28		25	6912-333-086-10	15				
6281-223-018-00	28	6904-110-840-00	9	6912-333-086-10	15				
6281-223-019-00	28		14	6912-333-086-10	15				
6281-223-020-00	28	6904-110-850-00	9	6912-333-086-10	15				
6281-223-021-00	28	6904-110-855-00	9	6912-333-086-10	15				
6281-223-022-00	28	6908-000-716-00	19	6912-333-086-10	15				
6281-410-002-00	23		3	6912-333-086-10	15				
6281-420-001-00	23	6908-000-716-00	19	6912-333-086-10	15				
6281-910-603-00	23		20	6912-333-086-10	15				
6281-920-001-00	23	6908-000-750-00	15	6912-333-086-10	15				
6509-000-018-10	15	6908-160-408-00	16	6912-333-086-10	15				
6509-000-084-00	0	6908-160-612-00	5	6912-333-086-10	15				
6509-605-019-10	5	6908-160-816-00	5	6912-333-086-10	15				
	9		15	6912-333-086-10	15				
	2		7	6912-333-086-10	15				
6509-704-059-00	21	6908-161-018-00	15	6912-333-086-10	15				
6511-321-083-00	9	6908-161-022-00	8	6912-333-086-10	15				
6513-721-043-00	5	6909-110-406-00	9	6912-333-086-10	15				
6513-770-022-10	17		34	6912-333-086-10	15				
6581-117-007-00	27	6909-110-408-00	20	6912-333-086-10	15				
6581-128-092-00	27		39	6912-333-086-10	15				
6581-223-093-00	27		51	6912-333-086-10	15				
6581-223-094-00	27	6909-110-410-00	9	6912-333-086-10	15				
6584-340-009-00	23	6909-110-506-00	22	6912-333-086-10	15				
6584-453-344-00	15		0	6912-333-086-10	15				
6901-050-850-00	11		17	6912-333-086-10	15				
6901-050-850-00	11		17	6912-333-086-10	15				
6901-050-850-00	11		17	6912-333-086-10	15				
6901-066-645-00	15	6909-111-508-00	20	6912-333-086-10	15				
6901-910-612-00	5	6909-150-506-00	27	6912-333-086-10	15				
	7		21	6912-333-086-10	15				
	12		41	6912-333-086-10	15				
	20		9	6912-333-086-10	15				
	20		11	6912-333-086-10	15				
	20		16	6912-333-086-10	15				
	23		0	6912-333-086-10	15				
	23		8	6912-333-086-10	15				
	38		9	6912-333-086-10	15				
6901-910-616-00	9	6909-150-508-00	9	6912-333-086-10	15				
6901-910-625-00	16		17	6912-333-086-10	15				
			17	6912-333-086-10	15				
			21	6912-333-086-10	15				







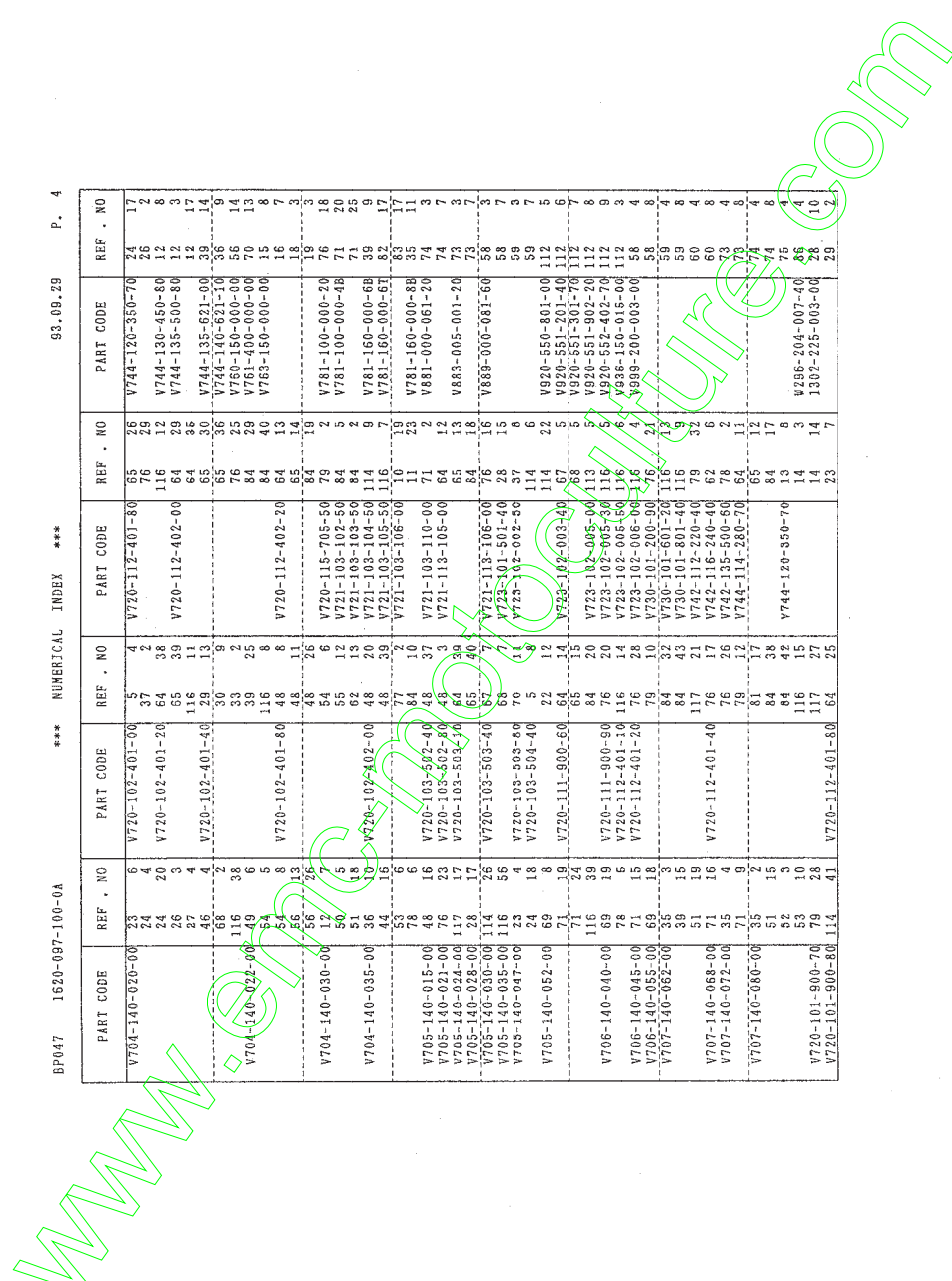
PART CODE	REF. NO	PART CODE	REF. NO	PART CODE	REF. NO	PART CODE	REF. NO	PART CODE	REF. NO
K110-001-106-00	117	V200-260-501-00	6	V201-361-403-00	70	V211-260-801-60	82		7
K135-002-009-00	64	V200-260-605-00	84	V201-460-802-50	17				9
	65	V201-260-801-20	6		17				8
K135-012-000-00	84	V201-260-801-60	35	V201-461-002-50	93				10
	84		99		28				8
K135-012-000-00	84	V201-260-802-50	13		93				48
	84		10		10				26
	85	V201-260-803-00	16	V201-461-003-00	85	V211-260-802-00	10		26
	85		16		17				10
K135-020-000-00	64	V201-260-803-50	18	V201-461-202-00	103				24
	64		18		20				11
	65	V201-260-804-00	19	V201-461-202-00	103				22
	65		19	V201-461-207-50	94				28
K135-020-100-00	64	V201-260-804-00	46		94				13
	65	V201-260-805-50	5		7				6
	65		10		44				17
K200-014-007-00	79		81		95				44
	79		81		95				15
K211-001-006-20	70	V201-260-803-00	4	V203-361-003-50	3				46
	70		4		5				15
K211-001-007-00	79	V201-260-804-50	12	V203-361-203-00	63				47
	79		12		5				7
K211-001-008-00	79	V201-261-002-00	27		63				48
	79		27		5				36
K211-004-006-00	117	V201-261-004-00	55		64				13
	117		55		5				84
	117	V201-261-005-00	81	V203-361-205-00	63				33
	117		81		6				2
	117	V201-261-005-00	84		64				33
	117		84		6				4
K211-025-000-20	79	V201-261-008-00	76	V210-260-601-20	52	V211-260-802-50	84		34
	79		76		6				44
K231-004-005-00	76	V201-261-008-00	87	V210-260-605-00	65	V211-260-803-00	57		6
	76		87		6				7
K231-004-007-00	76	V201-261-009-00	87		84				10
	76		87		30				67
K231-005-000-10	76	V201-261-011-00	76	V210-260-604-00	64				10
	76		76		30				68
K250-015-000-00	76	V201-261-012-00	83	V210-360-601-20	65	V211-260-803-50	84		45
	76		83		1				84
K250-025-000-00	84	V201-261-202-00	48	V210-360-601-20	1	V211-260-804-50	79		11
	84		48		2				11
P103-501-005-00	85	V201-261-202-50	66	V210-360-601-60	64	V211-260-805-50	14		8
	85		66		40				8
V111-164-001-50	99	V201-261-203-00	85	V210-360-601-60	64	V211-261-002-50	77		3
	99		85		35				3
V111-165-003-00	102	V201-261-203-50	70		65	V211-261-003-00	34		3
	102		70		41				3
V111-166-001-00	98	V201-261-503-00	53		91	V211-360-801-20	3		3
	98		53		13				21
V112-168-001-20	116	V201-360-801-20	1		91	V211-360-801-60	5		2
	116		1		9				6
V120-264-000-40	101	V201-360-803-50	45	V210-360-605-00	101				15
	101		45		5				7
V120-265-001-00	101	V201-360-804-50	39	V211-260-801-60	11				16
	101		39		13				43
V120-265-002-00	91	V201-361-005-00	10		10				16
	91		10		5				16
V120-365-002-00	82	V201-361-011-00	56		12				18
	82		56		12				18
V120-365-001-50	88	V201-361-202-50	33		38				27
	88		33		27				27
V120-376-001-60	102	V201-361-203-00	76		41				24
	102		76		12				85
V120-376-001-60	106	V201-361-204-00	14		42				5
	106		14		10				88
V195-163-010-40	100	V201-361-206-50	93		44				2
	100		93		19				89
V195-164-016-40	100		94		6				6
	100		94		6				6
V200-260-402-50	101		95		68				96
	101		95		8				11





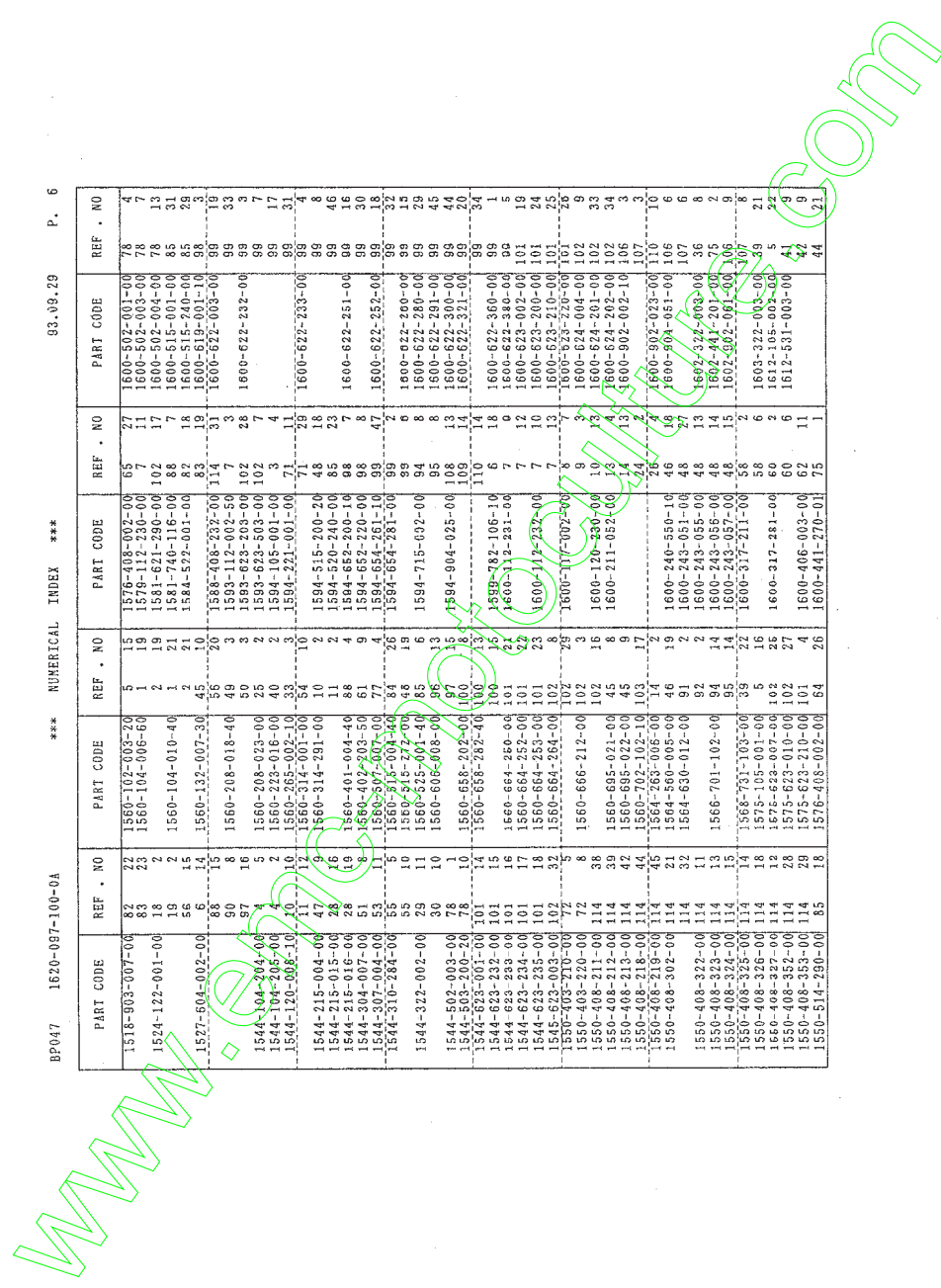


PART CODE	REF. NO	PART CODE	REF. NO	PART CODE	REF. NO	PART CODE	REF. NO
V704-140-020-00	23	V720-102-401-00	5	V720-112-401-80	65	V744-120-350-70	24
	24		37		176		26
	24	V720-102-401-20	64		116	V744-130-450-80	12
	26		38	V720-112-402-00	84	V744-135-500-80	12
	26		39		84		12
	46	V720-102-401-40	29		65	V744-135-621-00	39
	68		30		65		39
	116		33		76		56
V704-140-024-00	49		39		84	V750-150-000-00	56
	54		116		84	V761-400-000-00	70
	54	V720-102-401-80	48	V720-112-402-20	64	V763-150-000-00	15
	56		48		13		16
	56		48		65		18
	56		26		64		18
V704-140-030-00	12		54	V720-115-705-50	79		76
	12		54		79		18
	50		55	V721-103-102-50	84	V781-100-000-20	71
	51		62		84	V781-100-000-48	71
V704-140-035-00	36	V720-102-402-00	48	V721-103-103-50	84		25
	36		48	V721-103-104-50	114	V781-150-000-68	39
	44		48	V721-103-105-50	116	V781-150-000-80	39
	44		48	V721-103-106-00	110		32
	53		64		110	V781-150-000-88	35
	53		64		110	V781-150-000-88	35
V705-140-015-00	48		17	V721-103-110-00	71		11
	48	V720-103-502-40	48		71	V881-000-061-20	74
V705-140-021-00	76		48	V721-113-105-00	64		73
	117	V720-103-502-80	48		64		73
V705-140-024-00	17		64		84		73
	28		65		84		73
V705-140-028-00	28		65		84		73
V705-140-030-00	114	V720-103-503-40	67	V721-113-105-00	76	V883-005-001-20	73
	116		67		76	V883-005-001-20	73
V705-140-035-00	116		68	V723-01-501-40	28		58
	116		68	V723-01-501-40	28		58
V705-140-047-00	23	V720-103-504-40	70	V723-02-082-50	37		59
	24		70		37		59
V705-140-052-00	69		71		114		59
	69		71		114		59
	71	V720-111-900-60	64		22		59
	71		64		12		59
V706-140-040-00	116		65	V723-02-082-50	37		59
	116		65		37		59
	116		65	V723-02-082-50	37		59
V706-140-045-00	78	V720-111-900-90	84		114		59
	78		84		114		59
V706-140-052-00	60	V720-112-401-00	76		114		59
	60		76		114		59
V707-140-062-00	35	V720-112-401-20	76	V720-112-403-40	67	V920-550-801-00	112
	35		76		67	V920-551-201-40	112
	39		84	V720-112-405-00	113	V920-551-301-70	112
	39		84		113		112
V707-140-068-00	71	V720-112-401-40	117		116	V920-552-402-70	112
	71		117		116	V920-552-402-70	112
	71		117		116	V920-552-402-70	112
V707-140-072-00	35	V720-112-401-60	76	V723-02-082-50	37	V920-553-000-00	58
	35		76		37		58
	71		79		21		58
	71		79		21		58
V707-140-080-00	35		81	V730-101-200-00	76		58
	35		81		76		58
	35		81	V730-101-200-00	76		58
	35		81		76		58
	51		84	V730-101-200-00	76		58
	51		84		76		58
	52		84	V730-101-200-00	76		58
	52		84		76		58
V720-101-800-70	53		116	V730-101-200-00	76		58
	53		116		76		58
V720-101-800-80	79		117	V730-101-200-00	76		58
	79		117		76		58
	28		27		76		58
	28		27		76		58
	114	V720-112-401-80	64		23		29
	114		64		23		29





PART CODE	REF. NO	PART CODE	REF. NO	PART CODE	REF. NO	PART CODE	REF. NO	PART CODE	REF. NO	PART CODE	REF. NO
1518-003-007-00	82	1560-122-085-20	5	1576-108-092-00	65	1500-502-001-00	78				
1524-122-001-00	98	1560-104-006-60	2	1576-112-294-00	67	1500-502-003-00	78				
	18		2	1581-621-290-00	102	1500-502-004-00	78				
	56	1560-104-010-40	1	1581-740-116-00	88	1500-515-001-00	85				
	6		2	1584-522-001-00	82	1500-515-240-00	85				
1527-504-002-00	6	1560-132-007-30	45	1584-522-001-00	82	1500-519-001-10	98				
	15		56	1588-708-232-00	114	1500-522-003-00	99				
	83		20								
	90	1560-208-018-40	49	1593-112-002-50	7						
	16		3	1593-623-203-00	102	1600-622-232-00	99				
1544-104-204-00	4	1560-208-023-00	50	1593-623-203-00	102						
	7		2	1594-105-001-00	3						
1544-104-205-00	4	1560-223-016-00	40	1594-105-001-00	3						
	14		2	1594-221-001-00	71						
1544-120-005-10	10	1560-265-002-10	33	1594-221-001-00	71						
	11		12	1594-221-001-00	71						
	11	1560-314-001-00	54								
	47	1560-314-291-00	10	1594-515-200-20	48	1600-622-233-00	99				
1544-215-004-00	28		1		18		8				
	28	1560-401-004-40	88	1594-520-240-00	85		23				
1544-215-018-00	28		4	1594-522-200-10	98	1600-622-251-00	99				
	16	1560-402-003-00	77	1594-522-200-10	98		98				
1544-304-007-00	51	1560-402-003-00	77	1594-524-251-10	90	1600-622-252-00	99				
	16		4	1594-524-251-10	90		99				
1544-310-284-00	55	1560-415-000-00	74	1594-524-251-10	90		99				
	55		26	1594-524-251-10	90		99				
	95	1560-415-272-00	66								
	10		19	1594-715-092-00	94	1600-622-280-00	99				
1544-322-002-00	29	1560-425-001-40	65				99				
	30		11	1594-715-092-00	94	1600-622-280-00	99				
1544-502-003-00	78	1560-605-008-00	96	1594-715-092-00	94	1600-622-281-00	99				
	78		13				99				
1544-503-200-20	78	1560-605-008-00	96	1594-904-025-00	108	1600-622-300-00	99				
	1		10				99				
1544-523-001-00	101	1560-658-202-00	100	1594-904-025-00	108	1600-622-300-00	99				
	14		13				99				
1544-623-232-00	101	1560-658-282-40	100	1594-904-025-00	108	1600-622-321-00	99				
	101		13				99				
1544-623-233-00	101	1560-664-260-00	101	1594-904-025-00	108	1600-622-360-00	99				
	101		27				99				
1544-623-234-00	101	1560-664-262-00	101	1594-904-025-00	108	1600-622-380-00	99				
	101		27				99				
1544-623-235-00	101	1560-664-263-00	101	1594-904-025-00	108	1600-623-002-00	101				
	101		23				101				
1548-623-003-00	102	1560-664-264-00	102	1600-623-002-00	101	1600-623-200-00	101				
	102		8				101				
1550-403-210-00	72	1560-666-212-00	102	1600-623-200-00	101	1600-624-004-00	102				
	72		23				102				
1550-403-210-00	72		102				102				
	38	1560-695-021-00	45				102				
	38		16				102				
1550-408-212-00	114	1560-695-022-00	45				102				
	114		9				102				
1550-408-213-00	114	1560-702-102-10	103				102				
	114		17				102				
1550-408-218-00	114	1564-763-005-00	14				102				
	114		2				102				
1550-408-302-00	114	1564-630-012-00	91				102				
	114		2				102				
1550-408-322-00	114	1566-701-102-00	94				102				
	114		92				102				
1550-408-323-00	114	1568-731-103-00	39				102				
	114		22				102				
1550-408-324-00	114	1575-105-001-00	5				102				
	114		16				102				
1550-408-325-00	114	1575-105-001-00	5				102				
	114		16				102				
1550-408-326-00	114	1575-105-001-00	5				102				
	114		16				102				
1550-408-327-00	114	1575-105-001-00	5				102				
	114		16				102				
1550-408-352-00	114	1575-105-001-00	5				102				
	114		16				102				
1550-408-353-00	114	1575-105-001-00	5				102				
	114		16				102				
1550-514-290-00	85	1576-403-002-00	84				102				
	85		26				102				



PART CODE	REF . NO	PART CODE	REF . NO	PART CODE	REF . NO	PART CODE	REF . NO	PART CODE	REF . NO	PART CODE	REF . NO
1612-531-003-00	82	1614-201-001-00	21	1614-231-200-00	34	1614-310-211-00	55	1614-402-002-00	62	1614-406-210-00	63
1614-102-001-00	1	1614-203-001-10	23	1614-231-201-00	34	1614-310-220-00	55	1614-402-003-00	62	1614-406-212-00	72
1614-102-002-00	2	1614-203-002-20	23	1614-231-202-00	34	1614-310-230-00	55	1614-402-004-00	62	1614-406-213-00	83
1614-102-003-00	3	1614-203-003-00	24	1614-231-203-00	34	1614-310-240-00	58	1614-402-005-00	62	1614-406-214-00	94
1614-102-004-00	4	1614-203-004-00	24	1614-231-204-00	34	1614-310-250-00	58	1614-402-006-00	62	1614-406-215-00	105
1614-102-005-00	5	1614-203-005-00	24	1614-231-205-00	35	1614-310-260-00	58	1614-402-007-00	62	1614-406-216-00	116
1614-102-006-00	6	1614-203-006-00	24	1614-231-206-00	35	1614-310-270-00	58	1614-402-008-00	62	1614-406-217-00	127
1614-102-007-00	7	1614-203-007-00	24	1614-231-207-00	35	1614-310-280-00	58	1614-402-009-00	62	1614-406-218-00	138
1614-102-008-00	8	1614-203-008-00	24	1614-231-208-00	35	1614-310-290-00	58	1614-402-010-00	62	1614-406-219-00	149
1614-102-009-00	9	1614-203-009-00	24	1614-231-209-00	35	1614-310-300-00	58	1614-402-011-00	62	1614-406-220-00	160
1614-102-010-00	10	1614-203-010-00	24	1614-231-210-00	35	1614-310-310-00	58	1614-402-012-00	62	1614-406-221-00	171
1614-102-011-00	11	1614-203-011-00	24	1614-231-211-00	35	1614-310-320-00	58	1614-402-013-00	62	1614-406-222-00	182
1614-102-012-00	12	1614-203-012-00	24	1614-231-212-00	35	1614-310-330-00	58	1614-402-014-00	62	1614-406-223-00	193
1614-102-013-00	13	1614-203-013-00	24	1614-231-213-00	35	1614-310-340-00	58	1614-402-015-00	62	1614-406-224-00	204
1614-102-014-00	14	1614-203-014-00	24	1614-231-214-00	35	1614-310-350-00	58	1614-402-016-00	62	1614-406-225-00	215
1614-102-015-00	15	1614-203-015-00	24	1614-231-215-00	35	1614-310-360-00	58	1614-402-017-00	62	1614-406-226-00	226
1614-102-016-00	16	1614-203-016-00	24	1614-231-216-00	35	1614-310-370-00	58	1614-402-018-00	62	1614-406-227-00	237
1614-102-017-00	17	1614-203-017-00	24	1614-231-217-00	35	1614-310-380-00	58	1614-402-019-00	62	1614-406-228-00	248
1614-102-018-00	18	1614-203-018-00	24	1614-231-218-00	35	1614-310-390-00	58	1614-402-020-00	62	1614-406-229-00	259
1614-102-019-00	19	1614-203-019-00	24	1614-231-219-00	35	1614-310-400-00	58	1614-402-021-00	62	1614-406-230-00	270
1614-102-020-00	20	1614-203-020-00	24	1614-231-220-00	35	1614-310-410-00	58	1614-402-022-00	62	1614-406-231-00	281
1614-102-021-00	21	1614-203-021-00	24	1614-231-221-00	35	1614-310-420-00	58	1614-402-023-00	62	1614-406-232-00	292
1614-102-022-00	22	1614-203-022-00	24	1614-231-222-00	35	1614-310-430-00	58	1614-402-024-00	62	1614-406-233-00	303
1614-102-023-00	23	1614-203-023-00	24	1614-231-223-00	35	1614-310-440-00	58	1614-402-025-00	62	1614-406-234-00	314
1614-102-024-00	24	1614-203-024-00	24	1614-231-224-00	35	1614-310-450-00	58	1614-402-026-00	62	1614-406-235-00	325
1614-102-025-00	25	1614-203-025-00	24	1614-231-225-00	35	1614-310-460-00	58	1614-402-027-00	62	1614-406-236-00	336
1614-102-026-00	26	1614-203-026-00	24	1614-231-226-00	35	1614-310-470-00	58	1614-402-028-00	62	1614-406-237-00	347
1614-102-027-00	27	1614-203-027-00	24	1614-231-227-00	35	1614-310-480-00	58	1614-402-029-00	62	1614-406-238-00	358
1614-102-028-00	28	1614-203-028-00	24	1614-231-228-00	35	1614-310-490-00	58	1614-402-030-00	62	1614-406-239-00	369
1614-102-029-00	29	1614-203-029-00	24	1614-231-229-00	35	1614-310-500-00	58	1614-402-031-00	62	1614-406-240-00	380
1614-102-030-00	30	1614-203-030-00	24	1614-231-230-00	35	1614-310-510-00	58	1614-402-032-00	62	1614-406-241-00	391
1614-102-031-00	31	1614-203-031-00	24	1614-231-231-00	35	1614-310-520-00	58	1614-402-033-00	62	1614-406-242-00	402
1614-102-032-00	32	1614-203-032-00	24	1614-231-232-00	35	1614-310-530-00	58	1614-402-034-00	62	1614-406-243-00	413
1614-102-033-00	33	1614-203-033-00	24	1614-231-233-00	35	1614-310-540-00	58	1614-402-035-00	62	1614-406-244-00	424
1614-102-034-00	34	1614-203-034-00	24	1614-231-234-00	35	1614-310-550-00	58	1614-402-036-00	62	1614-406-245-00	435
1614-102-035-00	35	1614-203-035-00	24	1614-231-235-00	35	1614-310-560-00	58	1614-402-037-00	62	1614-406-246-00	446
1614-102-036-00	36	1614-203-036-00	24	1614-231-236-00	35	1614-310-570-00	58	1614-402-038-00	62	1614-406-247-00	457
1614-102-037-00	37	1614-203-037-00	24	1614-231-237-00	35	1614-310-580-00	58	1614-402-039-00	62	1614-406-248-00	468
1614-102-038-00	38	1614-203-038-00	24	1614-231-238-00	35	1614-310-590-00	58	1614-402-040-00	62	1614-406-249-00	479
1614-102-039-00	39	1614-203-039-00	24	1614-231-239-00	35	1614-310-600-00	58	1614-402-041-00	62	1614-406-250-00	490
1614-102-040-00	40	1614-203-040-00	24	1614-231-240-00	35	1614-310-610-00	58	1614-402-042-00	62	1614-406-251-00	501
1614-102-041-00	41	1614-203-041-00	24	1614-231-241-00	35	1614-310-620-00	58	1614-402-043-00	62	1614-406-252-00	512
1614-102-042-00	42	1614-203-042-00	24	1614-231-242-00	35	1614-310-630-00	58	1614-402-044-00	62	1614-406-253-00	523
1614-102-043-00	43	1614-203-043-00	24	1614-231-243-00	35	1614-310-640-00	58	1614-402-045-00	62	1614-406-254-00	534
1614-102-044-00	44	1614-203-044-00	24	1614-231-244-00	35	1614-310-650-00	58	1614-402-046-00	62	1614-406-255-00	545
1614-102-045-00	45	1614-203-045-00	24	1614-231-245-00	35	1614-310-660-00	58	1614-402-047-00	62	1614-406-256-00	556
1614-102-046-00	46	1614-203-046-00	24	1614-231-246-00	35	1614-310-670-00	58	1614-402-048-00	62	1614-406-257-00	567
1614-102-047-00	47	1614-203-047-00	24	1614-231-247-00	35	1614-310-680-00	58	1614-402-049-00	62	1614-406-258-00	578
1614-102-048-00	48	1614-203-048-00	24	1614-231-248-00	35	1614-310-690-00	58	1614-402-050-00	62	1614-406-259-00	589
1614-102-049-00	49	1614-203-049-00	24	1614-231-249-00	35	1614-310-700-00	58	1614-402-051-00	62	1614-406-260-00	600
1614-102-050-00	50	1614-203-050-00	24	1614-231-250-00	35	1614-310-710-00	58	1614-402-052-00	62	1614-406-261-00	611
1614-102-051-00	51	1614-203-051-00	24	1614-231-251-00	35	1614-310-720-00	58	1614-402-053-00	62	1614-406-262-00	622
1614-102-052-00	52	1614-203-052-00	24	1614-231-252-00	35	1614-310-730-00	58	1614-402-054-00	62	1614-406-263-00	633
1614-102-053-00	53	1614-203-053-00	24	1614-231-253-00	35	1614-310-740-00	58	1614-402-055-00	62	1614-406-264-00	644
1614-102-054-00	54	1614-203-054-00	24	1614-231-254-00	35	1614-310-750-00	58	1614-402-056-00	62	1614-406-265-00	655
1614-102-055-00	55	1614-203-055-00	24	1614-231-255-00	35	1614-310-760-00	58	1614-402-057-00	62	1614-406-266-00	666
1614-102-056-00	56	1614-203-056-00	24	1614-231-256-00	35	1614-310-770-00	58	1614-402-058-00	62	1614-406-267-00	677
1614-102-057-00	57	1614-203-057-00	24	1614-231-257-00	35	1614-310-780-00	58	1614-402-059-00	62	1614-406-268-00	688
1614-102-058-00	58	1614-203-058-00	24	1614-231-258-00	35	1614-310-790-00	58	1614-402-060-00	62	1614-406-269-00	699
1614-102-059-00	59	1614-203-059-00	24	1614-231-259-00	35	1614-310-800-00	58	1614-402-061-00	62	1614-406-270-00	710
1614-102-060-00	60	1614-203-060-00	24	1614-231-260-00	35	1614-310-810-00	58	1614-402-062-00	62	1614-406-271-00	721
1614-102-061-00	61	1614-203-061-00	24	1614-231-261-00	35	1614-310-820-00	58	1614-402-063-00	62	1614-406-272-00	732
1614-102-062-00	62	1614-203-062-00	24	1614-231-262-00	35	1614-310-830-00	58	1614-402-064-00	62	1614-406-273-00	743
1614-102-063-00	63	1614-203-063-00	24	1614-231-263-00	35	1614-310-840-00	58	1614-402-065-00	62	1614-406-274-00	754
1614-102-064-00	64	1614-203-064-00	24	1614-231-264-00	35	1614-310-850-00	58	1614-402-066-00	62	1614-406-275-00	765
1614-102-065-00	65	1614-203-065-00	24	1614-231-265-00	35	1614-310-860-00	58	1614-402-067-00	62	1614-406-276-00	776
1614-102-066-00	66	1614-203-066-00	24	1614-231-266-00	35	1614-310-870-00	58	1614-402-068-00	62	1614-406-277-00	787
1614-102-067-00	67	1614-203-067-00	24	1614-231-267-00	35	1614-310-880-00	58	1614-402-069-00	62	1614-406-278-00	798
1614-102-068-00	68	1614-203-068-00	24	1614-231-268-00	35	1614-310-890-00	58	1614-402-070-00	62	1614-406-279-00	809
1614-102-069-00	69	1614-203-069-00	24	1614-231-269-00	35	1614-310-900-00	58	1614-402-071-00	62	1614-406-280-00	820
1614-102-070-00	70	1614-203-070-00	24	1614-231-270-00	35	1614-310-910-00	58	1614-402-072-00	62	1614-406-281-00	831
1614-102-071-00	71	1614-203-071-00	24	1614-231-271-00	35	1614-310-920-00	58	1614-402			

PART CODE	REF. NO	PART CODE	REF. NO	PART CODE	REF. NO	PART CODE	REF. NO	PART CODE	REF. NO
1614-407-362-00	114	1614-501-015-00	76	1614-604-230-00	89	1617-221-001-10	31		
1614-407-363-00	114	1614-501-200-00	76	1614-604-240-00	89	1617-221-002-00	31		
1614-407-370-00	114	1614-502-001-00	78	1614-604-260-00	89	1617-221-003-00	31		
1614-410-002-00	65	1614-502-002-00	78	1614-608-220-00	91	1617-221-004-00	31		
1614-432-001-00	69	1614-503-002-00	79	1614-626-400-00	93				
1614-432-002-00	69	1614-503-004-00	79	1614-630-002-00	96	1617-221-005-00	31		
1614-432-003-00	69	1614-503-005-00	79						
1614-432-004-00	69	1614-503-006-00	79	1614-630-007-00	96				
1614-432-005-00	69	1614-503-007-00	79	1614-630-008-00	96	1617-241-003-00	35		
1614-432-006-00	69	1614-503-200-00	79	1614-630-009-00	96	1617-244-004-00	12		
1614-432-007-00	69	1614-503-270-10	79	1614-630-200-00	96				
1614-432-210-10	69	1614-505-002-00	81	1614-670-001-00	100	1617-301-002-00	48		
1614-433-001-00	70	1614-505-003-00	81	1614-670-201-00	100	1617-431-001-00	67		
1614-433-002-00	70	1614-505-004-00	81	1614-670-202-00	100	1617-431-210-00	67		
1614-433-202-00	70	1614-508-200-00	84	1614-670-240-00	100	1617-508-001-00	84		
1614-434-001-00	71	1614-508-250-00	84	1614-670-260-00	100	1617-514-290-00	85		
1614-434-002-10	71	1614-514-200-00	85	1614-670-270-00	100	1617-604-240-00	88		
1614-434-003-10	71	1614-514-230-00	85	1614-670-281-00	100	1617-608-220-00	89		
1614-434-004-00	71	1614-520-012-00	87	1614-690-002-00	102	1617-722-212-00	91		
1614-434-005-10	71	1614-601-002-00	86	1614-690-202-00	102	1620-102-500-00	02		
1614-434-009-00	71	1614-601-003-00	86	1614-690-212-00	102	1620-102-520-00	02		
1614-434-011-10	71	1614-601-004-10	86	1614-702-053-00	103	1620-111-004-00	06		
1614-434-012-00	71	1614-601-005-00	86	1614-702-550-00	103	1620-111-200-00	06		
1614-434-013-00	71	1614-601-031-00	86	1614-702-551-00	103	1620-112-200-00	07		
1614-435-003-00	71	1614-601-210-20	86	1614-702-552-00	103	1620-117-200-00	08		
1614-435-002-00	71	1614-601-214-20	86	1614-901-001-00	104	1620-117-210-00	09		
1614-436-200-00	72	1614-601-215-20	86	1614-901-004-00	104	1620-121-001-00	11		
1614-436-202-00	72	1614-601-230-00	86	1614-901-005-00	104	1620-121-002-00	11		
1614-436-203-00	72	1614-603-002-00	88	1614-903-003-00	105	1620-121-004-00	11		
1614-437-211-00	73	1614-603-008-00	88	1615-307-001-00	53	1620-121-007-00	11		
1614-441-200-00	74	1614-603-017-00	88	1615-317-240-00	60	1620-121-009-00	11		
1614-501-003-00	81	1614-603-018-00	88	1615-431-200-00	68	1620-121-013-00	11		
1614-501-009-00	79	1614-603-202-00	88	1615-104-210-00	4	1620-121-015-00	11		
1614-501-013-00	79	1614-603-021-00	88	1617-102-000-00	1	1620-121-017-00	11		
1614-501-014-00	77	1614-603-201-10	88	1617-120-220-00	11	1620-121-018-00	11		
1614-501-014-00	77	1614-604-065-00	89	1617-209-003-00	27	1620-121-019-00	11		
1614-501-014-00	77	1614-604-200-20	89			1620-121-021-00	11		
1614-501-014-00	77	1614-604-220-00	89						







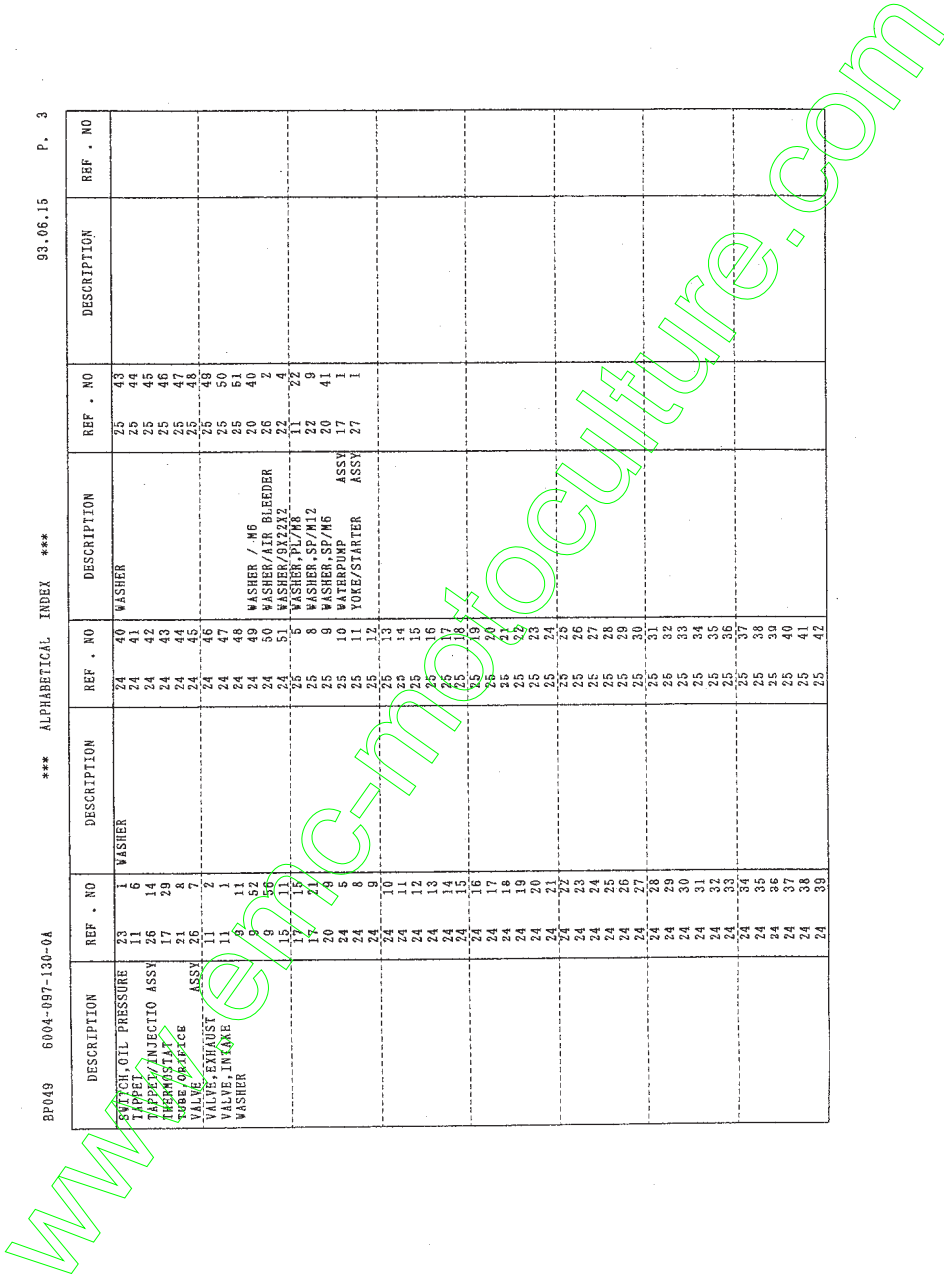


PART CODE	REF. NO	PART CODE	REF. NO	PART CODE	REF. NO	PART CODE	REF. NO	PART CODE	REF. NO
1640-904-012-00	108	8	3657-105-001-00	12	18				
1640-904-013-00	108	7	3676-236-003-00	91	10				
1640-904-016-00	108	10							
1640-904-018-00	108	9	3676-703-008-00	46	2				
1640-904-021-00	108	1	3673-701-005-00	13	11				
1640-904-024-00	108	1							
1640-904-025-00	110	1	3737-172-009-00	102	22				
1640-904-025-00	111	1	3737-172-011-00	101	31				
1642-105-065-00	80	10	3747-155-013-00	47	14				
2130-601-018-00	82	11	3748-185-003-00	64	27				
2130-601-018-00	83	12							
2130-931-210-00	112	4							
2144-418-022-00	74	9							
2144-519-007-00	82	10							
2157-301-220-00	83	11	3768-142-004-00	65	33				
2157-301-222-00	61	1	3768-164-004-00	56	16				
2502-221-235-00	61	2	3768-185-016-00	48	16				
3256-702-004-00	91	8	4319-601-004-00	48	31				
3560-201-015-00	46	7	4319-601-004-00	48	31				
3560-201-015-00	48	7	7932-201-022-00	15	19				
3560-503-302-00	5	14							
3560-702-001-10	112	10	7955-201-025-00	11	11				
3560-663-005-10	103	12							
3610-440-018-00	8	12	7963-208-004-00	52	7				
3621-304-001-00	9	8							
3621-304-003-00	4	10	7963-611-003-00	10	8				
3621-304-003-00	4	8	7963-611-003-00	11	10				
3621-304-003-00	4	8	7963-611-230-00	85	14				
3621-304-003-00	4	8							
3623-506-004-00	4	11							
3623-506-004-00	20	7							
3632-360-008-00	5	23							
3640-585-004-00	5	24							
3650-212-001-00	47	16							
3650-261-261-00	102	4							
3650-270-234-00	100	12							
3650-741-002-00	18	11							
3650-835-009-00	56	15							
3653-108-005-00	44	15							
3656-271-001-00	101	36							
3656-271-310-00	5	12							
3656-301-213-00	4	3							
3656-565-006-00	46	13							
3656-565-006-00	56	11							
3659-221-223-00	57	12							
3664-540-001-00	15	2							
3664-540-001-00	16	2							

DESCRIPTION	REF. NO	DESCRIPTION	REF. NO	DESCRIPTION	REF. NO	DESCRIPTION	REF. NO
ARM/TENSION	20	BOLT/M6X11	9	CASE/ADAPTER	20	GEAR,CRANK SHAFT	15
ARM,CONTROL	38	BOLT/M10X1.25X18	10	CLAMP,HARNESS	10	GEAR, IDLE	12
ARM,FLOATING	20	BOLT/M10X1.25X82	11	CLAMP,STRAINER	16	GEAR, INJ. PUMP	20
ARMATURE/STARTER ASSY	27	BOLT/M12X70	22	CLIP	21	GEAR, RING	15
BALL,VALVE	21	BOLT/M8X14	9	CLIP, HOSE	27	GENERATOR ASSY	22
BAND, HOSE	17	BOLT/M8X10	20	CLUTCH/STARTER ASSY	20	GUIDE VALVE	1
BAND, HOSE, ASSY/42	21	BOLT/M8X30	9	CONNECTOR, GLOW PLUG	23	HANGER	10
BEARING	27	BOLT/M8X45	11	CONNECTOR, OIL FILTER	5	HOLDER ASSY	28
BEARING, RB/6002	27	BOLT/M8X75	9	COVER	17	HOLDER/DELIVERVALVE	26
BEARING, RB/6203	20	BOLT/M8X85	9	COVER, INJECTIONPUMP	28	HOLDER, BRUSH ASSY	28
BEARING, THRUST CRANK	6	BOLT/M8X85	8	COVER, BEARING	26	HOLDER, NOZZLE	25
	6	BOLT/M8X85	16	COVER, CYLINDER HEAD	5	HOLDER, NOZZLE ASSY	24
	6	BOLT/M8X85	16	COVER, CYLINDER HEAD	28	HOSE/RUBBER	2
BEARING/WATER PUMP	17	BOLT/M8X10	22	COVER, CYLINDER HEAD	2	HOSE/RUBBER	21
BEARING/WATERPUMP	17	BOLT/M8X10	22	CUP/SEALING/14	9	HOSE, RUBBER	17
BEARING, RB/6002SS	15	BOLT/M8X12	18	CUTTER, VALVE	11		22
BEARING, RB/6004	20	BOLT/M8X12	18	CYLINDERBLOCK ASSY	5		2
BEARING, RB/6005	20	BOLT/M8X12	18	CYLINDERHEAD ASSY	5	HOUSING	21
BEARING, THRUST CRANK	6	BOLT/M8X12	18	DELIVER TACHOMETER	5	HOUSING, FLYWHEEL ASSY	21
	6	BOLT/M8X12	18	DETUNE TACHOMETER	8	HOUSING/STARTER ASSY	21
	6	BOLT/M8X12	18	ELEMENT	26	HOUSING/THERMOSTAT	21
	6	BOLT/M8X12	18	FAN/COOLING	18	JOINT-TYPE 2	21
BELT VHM034	18	BOLT,SENS/M8X16	9	FLYWEIGHT	20	KEY	12
BODY/OILPUMP	10	BOLT,SENS/M8X10	3	FLYWHEEL	20		3
BODY/WATERPUMP	17	BOLT,SENS/M8X20	3	FRAME ASSY	28	LEVELGAGE	15
BODY, NOZZLE HOLDER	24	BOLT,SENS/M8X20	3	FRAME ASSY	28	LEVER/CONTROL COMP	20
	25	BOLT,SENS/M8X20	3	FRAME/STARTER/REIN	27	MANIFOLD, INLET ASSY	3
	3	BOLT,SENS/M8X20	3	GASNET	7	MANIFOLD, EXH	4
	5	BOLT,SENS/M8X45	22	GASNET/COVER	27	METAL, CONN ROD	1
	8	BOLT,SENS/M8X45	22	GASNET/COVER	27		6
	9	BRACKET,ROCKER SHAFT	17	GASNET/CYLINDERHEAD	28		9
	10	BRACKET,ROCKER SHAFT	17	GASNET/DELIVERVALVE	26	METAL, CRANK	6
	11	BRACKET,ROCKER SHAFT	17	GASNET/DELIVERVALVE	26		12
	15	BUSH	20	GASNET/DELIVERVALVE	26	METAL, CRANK SET	5
	16	BUSH	20	GASNET/DELIVERVALVE	26		12
	17	BUSH GUIDE	20	GASNET/DELIVERVALVE	26		12
	17	BUSH GUIDE	20	GASNET/WATER PUMP	17		6
	17	BUSHING/DRAIN	24	GASNET/WATER PUMP	17		6
	20	CAP/RELIEF VALVE	9	GASNET, EXH MANIFOLD	4	METER, THERMO	6
	28	CAP, OIL FILLER	9	GASNET, GEAR CASE	9	NOZZLE	5
	28	CAP, OIL FILLER	9	GASNET, INLET MANIFOL	3		22
	28	CAP, OIL FILLER	9	GASNET, NOZZLE	3		22
	28	CAP, OIL FILLER	9	GASNET, PLATEASE	9		25
	28	CAP, OIL FILLER	9	GASNET, SPACER	17	NUT	9
	28	CAP, OIL FILLER	9	GEAR	17		34
	28	CAP, OIL FILLER	9	GEAR	17		11
	28	CAP, OIL FILLER	9	GEAR/OILPUMP ASSY	16		16
	28	CAP, OIL FILLER	9	GEAR/OILPUMP ASSY	16		3
	28	CAP, OIL FILLER	9	GEAR/OILPUMP ASSY	16		24
	28	CAP, OIL FILLER	9	GEAR/OILPUMP ASSY	16		24
	28	CAP, OIL FILLER	9	GEAR/OILPUMP ASSY	16		24
	28	CAP, OIL FILLER	9	GEAR/OILPUMP ASSY	16		24
	28	CAP, OIL FILLER	9	GEAR/OILPUMP ASSY	16		24
BOLT (RS)	4	CARTRIDGE, OIL FILTER	16	GEAR,CAMSHAFT	12		2

DESCRIPTION	REF. NO	DESCRIPTION	REF. NO	DESCRIPTION	REF. NO	DESCRIPTION	REF. NO
NUT	27	PIN, NOZZLE HOLDER	24	PLUG	11	SHAFT	12
NUT	27	PIN, PISTON	25	PLUG, GLOW	1	SHAFT/ROCKER ARM	4
NUT	28	PIN, SHAFT/B	13	PLUG, ROT ASSY	23	SHAFT/ROCKER ARM	9
NUT	28	PIN, STRAIGHT	9	PULLEY	1	SHAFT, CAM INJ PUMP	11
NUT/M10	22	PIN, TUBE	5	PUMP, WATER	18	SHAFT, CHAIN ASSY	20
NUT/M8	9	PINION/STARTER	45	PULLEY, WATER PUMP	15	SHAFT, CHAIN ASSY	13
NUT	9	PIPE, WATER PUMP	27	PUMP, INJ	20	SHAFT, ROCKER ASSY	7
NUT	9	PIPE/WATER PUMP	17	PUMP, OIL	16	SHIM/ADAPTER	11
NUT	8	PIPE/WATER OUTLET	17	RACK/CONTROL ASSY	26	SHIM/ADAPTER	20
NUT	55	PIPE, INJ	19	REGULATOR ASSY	28	SHIM/PUMP, INJ	20
NUT	11	PIPE, INJ	19	RELAY, SOLENOID	23	SHIM/PUMP, INJ	20
NUT	17	PISTON	2	RESISTANCE	23	SHIM/PUMP, INJ	20
NUT	20	PISTON	19	RETAINER	27	SHIM, ADAPTER	20
NUT/NOZZLERETAINING	24	PIPE, OIL	19	RING (PISTON) SET	13	SHIM, ADAPTER	20
NUT, CAP	25	PIPE, PUMP HOUSING	16	RING (PISTON/OJ) SET	14	SHIM, ADAPTER	20
NUT, CAP/M 8	2	PIPE, WATER DRAIN	17	RING (PISTON/OV50) SET	14	SHIM, ADAPTER	20
NUT, FLANGE	9	PISTON	5	RING/O	9	SHIM, ADAPTER	20
O-RING	13	PISTON O/RING	13	RING/PACKING ASSY	25	SLEEVE/PLUNGER	26
O-RING	17	PISTON/OV50	14	RING/SNAP	14	SPACER	17
O-RING/P 8	27	PISTON/OV100	4	RING/SNAP / 4 E	20	SPACER, FAN	18
O-RING/P 15	9	PISTON/RELIEF VALVE	28	RING, SNAP / 16 C	20	SPACER, PUMP, WATER	17
OIL PAN	16	PLATE	28	RING, CONTROL	11	SPRING	11
OIL PAN	7	PLATE/ADJUST	22	RING, CONTROL	20	SPRING	11
OIL PAN	7	PLATE/ADJUSTING	26	ROCKER ARM	11	SPRING	9
ORING	26	PLATE/TAPPET/ADJUST	25	ROD, CONN	13	SPRING/DELIVERY VALVE	26
PACKING	2	PLATE	26	ROD, PUSH	11	SPRING/GOVERNOR	20
	9	PLATE	26	ROTOR	27	SPRING/PUMP/PLUNGER	26
	17	PLATE	26	ROTOR ASSY	22	SPRING/RELIEF VALVE	18
	21	PLATE	26	ROTOR/OUTER	22	SPRING/RETURN	9
	9	PLATE	26	ROTOR/WATER PUMP	16	SPRING/RETURN	27
PIECE, DISTANCE	16	PLATE/ADJUSTING	26	ROTOR/WATER PUMP	17	SPRING, BRUSH	27
PIECE, THRUST	24	PLATE/TAPPET/ADJUST	26	SCREW ADJUST	27	SPRING, RETURN	20
	25	PLATE	26	SCREW ADJUST	11	SPRING, STARTING	20
	18	PLATE	26	SCREW, PULLER	17	SPRING, STARTING	20
PIN	25	PLATE, FRONT	26	SCREW, WATER PUMP	16	SPRING, STARTING	20
	16	PLATE, FRONT	26	SCREW, WATER PUMP	17	SPRING, STARTING	20
	22	PLATE, THRUST	26	SEAL, WATER PUMP/BULLE	17	SPRING, STARTING	20
	9	PLATE, THRUST	26	SEAL, WATER PUMP/BULLE	17	SPRING, STARTING	20
	22	PLATE, THRUST	26	SEAL, BEARING CAP/7	5	SPRING, STARTING	20
	15	PLATE, THRUST	26	SEAL, BEARING CAP/7	5	SPRING, STARTING	20
	7	PLATE, THRUST	26	SEAL, CYL HEAD COVER	2	SPRING, STARTING	20
PIN/ADAPTER	20	PLATE/WATER PUMP	17	SEAL, OIL	1	SPRING, STARTING	20
PIN/ARM	9	PLATE, FRONT	26	SEAL, OIL	1	SPRING, STARTING	20
PIN/INJECTION PUMP	26	PLATE, THRUST	26	SEAL, OIL	1	SPRING, STARTING	20
	12	PLATE, THRUST	26	SEAL, OIL	1	SPRING, STARTING	20
	4	PLATE, THRUST	26	SEAL, OIL	1	SPRING, STARTING	20
PIN/STRAIGHT	16	PLUG	5	SEAT/SPRING/LOUER	25	STUD, ARX40	9
PIN/STRIANER	5	PLUG	5	SEAT/SPRING/UPPER	26	STUD, ARX40	9
PIN/CONTROL	20	PLUG	7	SEAT, VALVE	1	STUD, HEAD COVER	1
PIN, GROOVE	9	PLUG	9	SEAT, VALVE	1	STUD, HEAD COVER	1
PIN, IDLE GEAR	5	PLUG	25	SEAT, VALVE SPRING	11	SWITCH/MAGNETIC ASSY	27

DESCRIPTION	REF. NO	DESCRIPTION	REF. NO	DESCRIPTION	REF. NO	DESCRIPTION	REF. NO
SWITCH, OIL PRESSURE	23	WASHER	24	WASHER	25		43
TAPPET	24		24		25		44
TAPPET INJECTO ASSY	25		24		25		45
TAPPET	26		24		25		46
TAPPET	17		24		25		47
TAPPET	21		24		25		48
TAPPET	26		24		25		48
VALVE EXHAUST	11		24		25		50
VALVE INJANE	11		24		25		51
WASHER	8		24		25		61
	9		24		25		40
	52		24		25		20
	56		24		25		2
	15		24		25		2
	17		24		25		22
	21		25		26		22
	24		25		26		41
	24		25		26		10
	24		25		26		11
	24		25		26		12
	24		25		26		13
	24		25		26		14
	24		25		26		15
	24		25		26		16
	24		25		26		17
	24		25		26		18
	24		25		26		19
	24		25		26		20
	24		25		26		21
	24		25		26		22
	24		25		26		23
	24		25		26		24
	24		25		26		25
	24		25		26		26
	24		25		26		27
	24		25		26		30
	24		25		26		31
	24		25		26		32
	24		25		26		33
	24		25		26		34
	24		25		26		35
	24		25		26		36
	24		25		26		37
	24		25		26		38
	24		25		26		39
	24		25		26		40
	24		25		26		41
	24		25		26		42

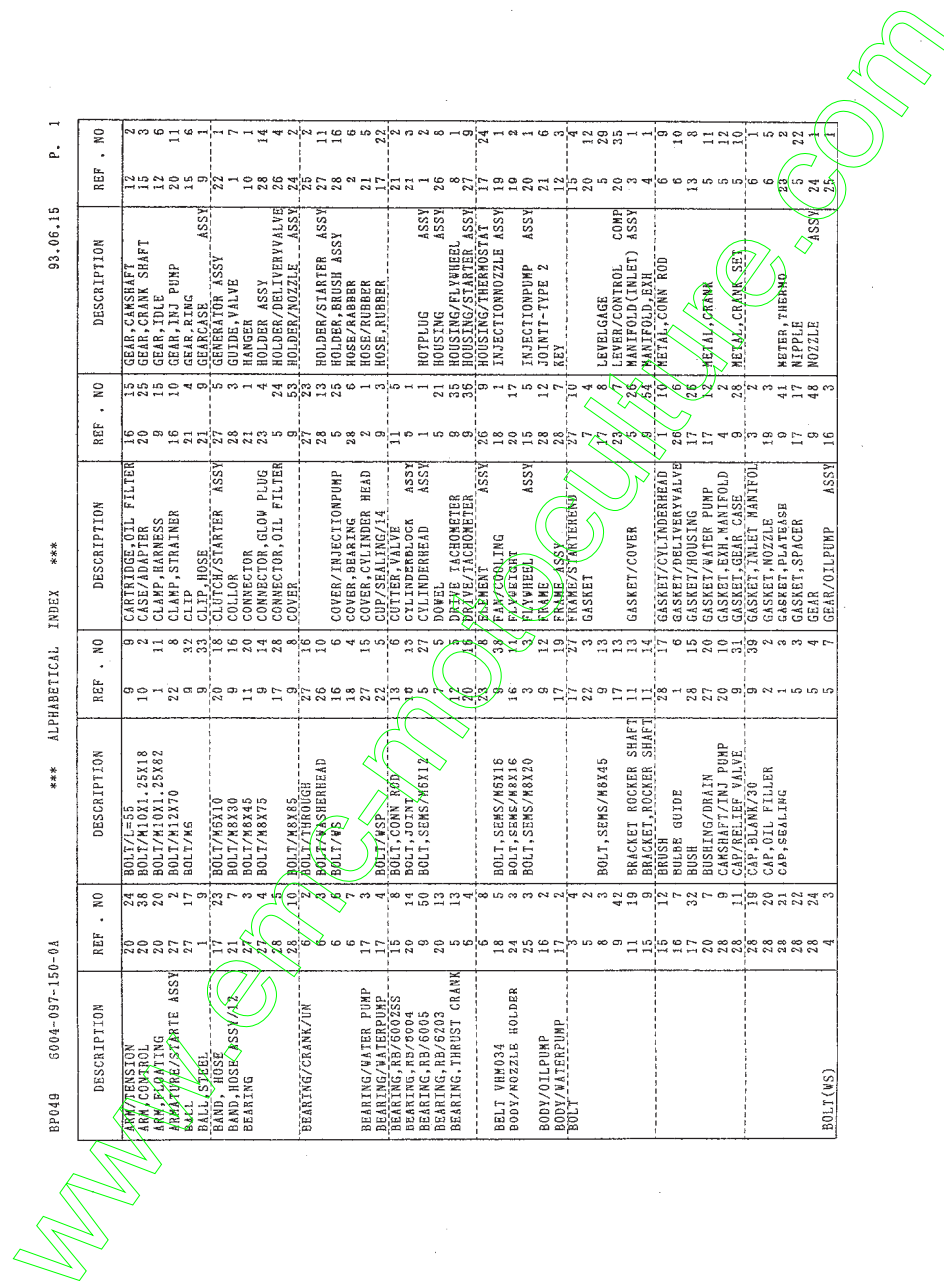


DESCRIPTION	REF. NO	DESCRIPTION	REF. NO	DESCRIPTION	REF. NO	DESCRIPTION	REF. NO
ARM/WEARON	20	BOLT/L=55	9	CASE/ADAPTER	20	GEAR, CRANK SHAFT	15 3
ARM, GEARHOL	20	BOLT/M10X1.25X18	2	CLAMP, HARNESS	9	GEAR, IDLE	12 6
ARM, SCOOTING	20	BOLT/M10X1.25X82	11	CLAMP, STRAINER	16	GEAR, INJ PUMP	20 11
ARMATURE/STARTER ASSY	27	BOLT/M12X70	22	CLIP	21	GEAR, RING	15 6
BALL	17	BOLT/M6	9	CLIP HOSE	27	GEAR ASSY	9 1
BALL, STEEL	17	BOLT/M8	9	CLUTCH/STARTER ASSY	27	GEAR ASSY	27 1
BAR, HOSE	27	BOLT/M6X10	20	COLLO	28	GUIDE VALVE	10 1
BAND, HOSE	28	BOLT/M8X10	9	CONNECTOR	21	HANGER	10 1
BAND, HOSE ASSY/12	21	BOLT/M8X30	11	CONNECTOR, GLOW PLUG	23	HOLDER ASSY	28 14
BEARING	27	BOLT/M8X45	9	CONNECTOR, OIL FILTER	9	HOLDER/DELIVERVALVE	26 4
	27	BOLT/M8X75	17	COVER	27	HOLDER/STARTER ASSY	27 11
	28	BOLT/M8X85	17	COVER	28	HOLDER, BRUSH ASSY	28 16
BEARING/CRANK/UN	6	BOLT THROUGH	9	COVER/INJECTION PUMP	27	HOLDER, NOZZLE	25 2
	6	BOLT WASH/HEAD	27	COVER, BEARING	5	HOLDER, NOZZLE ASSY	24 2
	6	BOLT/W5	16	COVER, CYLINDER	28	HOSE/RUBBER	2 6
BEARING/WATER PUMP	6	BOLT/W5	18	COVER, CYLINDER HEAD	2	HOSE/RUBBER	21 5
BEARING/WATERPUMP	17	BOLT/WSE	27	COP/SEALING/14	9	HOSE, RUBBER	17 22
BEARING/RY/60/255	15	BOLT/WSE	27	CUTTER, VALVE	9	HOSE, RUBBER	21 2
BEARING/RY/60/05	15	BOLT, CONN ROD	17	CYLINDER LOCK ASSY	5	HOUSING	21 3
BEARING/RB/60/5	9	BOLT, SEMS/M6X12	5	CYLINDER PUMP ASSY	5	HOUSING/FILWHEEL ASSY	28 1
BEARING/RB/62/3	20	BOLT, SEMS/M6X12	7	DAI/PERMENA ASSY	5	HOUSING/STARTER ASSY	27 9
BEARING, THRUST CRANK	5	BOLT, SEMS/M6X12	12	DELTA TACHOMETER	9	HOUSING/THERMOSTAT	17 24
	5	BOLT, SEMS/M6X12	20	DELTA TACHOMETER	9	HOUSING, THERMOSTAT	21 6
	6	BOLT, SEMS/M6X12	20	DIAPHRAGM ASSY	26	JOINT-TYPE 2	21 6
	6	BOLT, SEMS/M6X16	23	DIAPHRAGM ASSY	26	KEY	12 3
BELT VH034	18	BOLT, SEMS/M6X16	9	FAN/COOLING	18	KEY	15 4
BODY/OILPUMP	16	BOLT, SEMS/M8X16	16	FAN/FLIGHT	20	LEVEL GAGE	20 12
BODY/WATERPUMP	17	BOLT, SEMS/M8X16	3	FLY WHEEL ASSY	15	LEVEL GAGE	5 28
BODY, NOZZLE HOLDER	24	BOLT, SEMS/M8X20	9	FLY WHEEL	28	LEVER/CONTROL COMP	20 35
	25	BOLT, SEMS/M8X20	12	FRAME ASSY	28	LEVER/CONTROL COMP	20 35
	25	BOLT, SEMS/M8X20	17	FRAME ASSY	28	MANIFOLD (INLET) ASSY	3 1
BOLT	5	BOLT, SEMS/M8X45	17	FRAME/STARTER HEAD	27	MANIFOLD, EXH	4 1
	5	BOLT, SEMS/M8X45	22	GASKET	17	METAL CONN ROD	6 9
	8	BOLT, SEMS/M8X45	9	GASKET	17	METAL CONN ROD	6 10
	19	BRACKET, ROCKER SHAFT	17	GASKET/COVER	25	METAL CRANK	13 6
	15	BRACKET, ROCKER SHAFT	11	GASKET/CYLINDER HEAD	8	METAL CRANK	13 6
	15	BRACKET, ROCKER SHAFT	11	GASKET/CYLINDER HEAD	8	METAL CRANK	13 6
	16	BUSH	1	GASKET/DELIVERVALVE	26	METAL CRANK SHT	5 10
	16	BUSH	2	GASKET/DELIVERVALVE	26	METAL CRANK SHT	5 10
	17	RUBR GUIDE	1	GASKET/DELIVERVALVE	26	METAL CRANK SHT	5 10
	17	RUBR GUIDE	1	GASKET/DELIVERVALVE	26	METAL CRANK SHT	5 10
	20	BUSHING/DRAIN	28	GASKET/DELIVERVALVE	26	METAL CRANK SHT	5 10
	20	BUSHING/DRAIN	27	GASKET/DELIVERVALVE	26	METAL CRANK SHT	5 10
	28	CAP/RELIEF VALVE	9	GASKET/WATER PUMP	17	METER, THERMO	23 2
	28	CAP, BLANK/30	9	GASKET, EXH MANIFOLD	4	METER, THERMO	23 2
	28	CAP, OIL FILLER	9	GASKET, GEAR CASE	9	NIPPLE	5 22
	28	CAP, OIL FILLER	9	GASKET, INLET MANIFOLD	9	NIPPLE	5 22
	28	CAP, OIL FILLER	9	GASKET, INLET MANIFOLD	9	NIPPLE	5 22
	28	CAP, SEALING	2	GASKET, NOZZLE	19	NOZZLE	24 1
	28	CAP, SEALING	2	GASKET, NOZZLE	19	NOZZLE	24 1
	28	CAP, SEALING	1	GASKET, PLATEASE	9	RUT	9 24
	28	CAP, SEALING	5	GASKET, PLATEASE	9	RUT	9 24
	28	CAP, SEALING	5	GASKET, PLATEASE	9	RUT	9 24
	28	CAP, SEALING	5	GASKET, SPACER	17	RUT	17 18
	28	CAP, SEALING	5	GASKET, SPACER	17	RUT	17 18
	28	CAP, SEALING	5	GASKET, SPACER	17	RUT	17 18
	28	CAP, SEALING	5	GASKET, SPACER	17	RUT	17 18
	28	CAP, SEALING	5	GASKET, SPACER	17	RUT	17 18
	28	CAP, SEALING	5	GASKET, SPACER	17	RUT	17 18
	28	CAP, SEALING	5	GASKET, SPACER	17	RUT	17 18
	28	CAP, SEALING	5	GASKET, SPACER	17	RUT	17 18
BOLT (WS)	4	CARTRIDGE, OIL FILTER	15	GEAR, OILPUMP ASSY	16	GEAR, OILPUMP	24 3
	4	CARTRIDGE, OIL FILTER	15	GEAR, OILPUMP ASSY	16	GEAR, OILPUMP	24 3
	4	CARTRIDGE, OIL FILTER	15	GEAR, OILPUMP ASSY	16	GEAR, OILPUMP	24 3
	4	CARTRIDGE, OIL FILTER	15	GEAR, OILPUMP ASSY	16	GEAR, OILPUMP	24 3
	4	CARTRIDGE, OIL FILTER	15	GEAR, OILPUMP ASSY	16	GEAR, OILPUMP	24 3



DESCRIPTION	REF. NO	DESCRIPTION	REF. NO	DESCRIPTION	REF. NO	DESCRIPTION	REF. NO
TAPPET	11	WASHER	24	WASHER	24	WASHER	24
TAPPET/INJECTIO ASSY	14	WASHER	41	WASHER	41	WASHER	41
THERMOSTAT	17	WASHER	24	WASHER	24	WASHER	24
TUBE, ORIFICE	21	WASHER	42	WASHER	42	WASHER	42
VALVE	26	WASHER	24	WASHER	24	WASHER	24
VALVE, EXHAUST	11	WASHER	43	WASHER	43	WASHER	43
VALVE, INTAKE	11	WASHER	24	WASHER	24	WASHER	24
WASHER	11	WASHER	44	WASHER	44	WASHER	44
	9	WASHER / M6	25	WASHER / M6	25	WASHER / M6	25
	52	WASHER/AIR BLEEDER	20	WASHER/AIR BLEEDER	20	WASHER/AIR BLEEDER	20
	36	WASHER/SKZKZ	40	WASHER/SKZKZ	40	WASHER/SKZKZ	40
	15	WASHER/SKZKZ	26	WASHER/SKZKZ	26	WASHER/SKZKZ	26
	17	WASHER/SKZKZ	22	WASHER/SKZKZ	22	WASHER/SKZKZ	22
	21	WASHER/SKZKZ	22	WASHER/SKZKZ	22	WASHER/SKZKZ	22
	20	WASHER SP/M6	20	WASHER SP/M6	20	WASHER SP/M6	20
	9	WASHER SP/M6	20	WASHER SP/M6	20	WASHER SP/M6	20
	24	WATERPUMP ASSY	17	WATERPUMP ASSY	17	WATERPUMP ASSY	17
	5	WATERPUMP ASSY	27	WATERPUMP ASSY	27	WATERPUMP ASSY	27
	24	YOKE/STARTER ASSY	1	YOKE/STARTER ASSY	1	YOKE/STARTER ASSY	1
	8	YOKE/STARTER ASSY	1	YOKE/STARTER ASSY	1	YOKE/STARTER ASSY	1
	24	YOKE/STARTER ASSY	27	YOKE/STARTER ASSY	27	YOKE/STARTER ASSY	27
	9	YOKE/STARTER ASSY	27	YOKE/STARTER ASSY	27	YOKE/STARTER ASSY	27
	24	YOKE/STARTER ASSY	27	YOKE/STARTER ASSY	27	YOKE/STARTER ASSY	27
	10	YOKE/STARTER ASSY	27	YOKE/STARTER ASSY	27	YOKE/STARTER ASSY	27
	11	YOKE/STARTER ASSY	27	YOKE/STARTER ASSY	27	YOKE/STARTER ASSY	27
	12	YOKE/STARTER ASSY	27	YOKE/STARTER ASSY	27	YOKE/STARTER ASSY	27
	13	YOKE/STARTER ASSY	27	YOKE/STARTER ASSY	27	YOKE/STARTER ASSY	27
	14	YOKE/STARTER ASSY	27	YOKE/STARTER ASSY	27	YOKE/STARTER ASSY	27
	15	YOKE/STARTER ASSY	27	YOKE/STARTER ASSY	27	YOKE/STARTER ASSY	27
	16	YOKE/STARTER ASSY	27	YOKE/STARTER ASSY	27	YOKE/STARTER ASSY	27
	17	YOKE/STARTER ASSY	27	YOKE/STARTER ASSY	27	YOKE/STARTER ASSY	27
	18	YOKE/STARTER ASSY	27	YOKE/STARTER ASSY	27	YOKE/STARTER ASSY	27
	19	YOKE/STARTER ASSY	27	YOKE/STARTER ASSY	27	YOKE/STARTER ASSY	27
	20	YOKE/STARTER ASSY	27	YOKE/STARTER ASSY	27	YOKE/STARTER ASSY	27
	21	YOKE/STARTER ASSY	27	YOKE/STARTER ASSY	27	YOKE/STARTER ASSY	27
	22	YOKE/STARTER ASSY	27	YOKE/STARTER ASSY	27	YOKE/STARTER ASSY	27
	23	YOKE/STARTER ASSY	27	YOKE/STARTER ASSY	27	YOKE/STARTER ASSY	27
	24	YOKE/STARTER ASSY	27	YOKE/STARTER ASSY	27	YOKE/STARTER ASSY	27
	25	YOKE/STARTER ASSY	27	YOKE/STARTER ASSY	27	YOKE/STARTER ASSY	27
	26	YOKE/STARTER ASSY	27	YOKE/STARTER ASSY	27	YOKE/STARTER ASSY	27
	27	YOKE/STARTER ASSY	27	YOKE/STARTER ASSY	27	YOKE/STARTER ASSY	27
	28	YOKE/STARTER ASSY	27	YOKE/STARTER ASSY	27	YOKE/STARTER ASSY	27
	29	YOKE/STARTER ASSY	27	YOKE/STARTER ASSY	27	YOKE/STARTER ASSY	27
	30	YOKE/STARTER ASSY	27	YOKE/STARTER ASSY	27	YOKE/STARTER ASSY	27
	31	YOKE/STARTER ASSY	27	YOKE/STARTER ASSY	27	YOKE/STARTER ASSY	27
	32	YOKE/STARTER ASSY	27	YOKE/STARTER ASSY	27	YOKE/STARTER ASSY	27
	33	YOKE/STARTER ASSY	27	YOKE/STARTER ASSY	27	YOKE/STARTER ASSY	27
	34	YOKE/STARTER ASSY	27	YOKE/STARTER ASSY	27	YOKE/STARTER ASSY	27
	35	YOKE/STARTER ASSY	27	YOKE/STARTER ASSY	27	YOKE/STARTER ASSY	27
	36	YOKE/STARTER ASSY	27	YOKE/STARTER ASSY	27	YOKE/STARTER ASSY	27
	37	YOKE/STARTER ASSY	27	YOKE/STARTER ASSY	27	YOKE/STARTER ASSY	27
	38	YOKE/STARTER ASSY	27	YOKE/STARTER ASSY	27	YOKE/STARTER ASSY	27
	39	YOKE/STARTER ASSY	27	YOKE/STARTER ASSY	27	YOKE/STARTER ASSY	27
	40	YOKE/STARTER ASSY	27	YOKE/STARTER ASSY	27	YOKE/STARTER ASSY	27

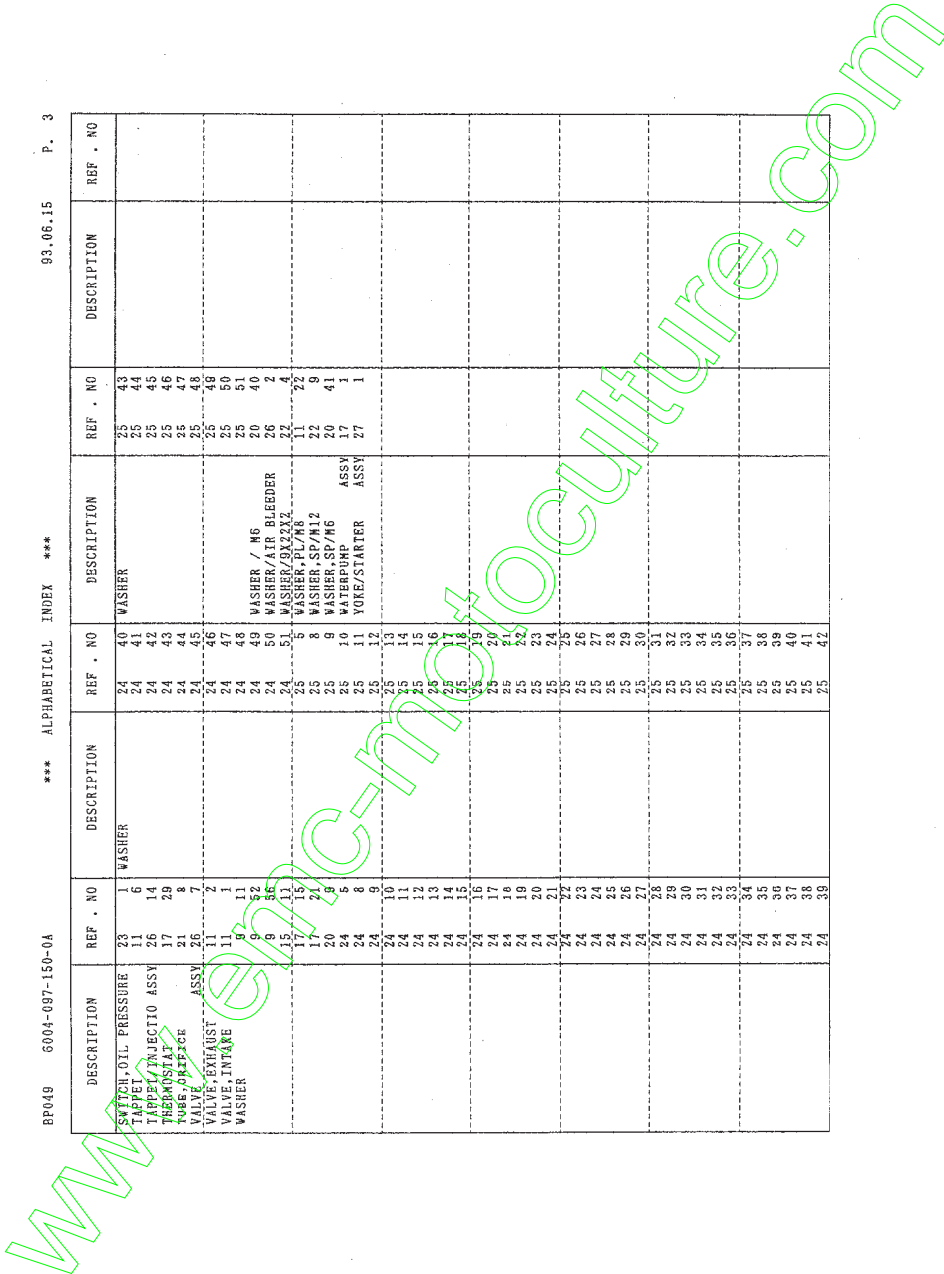
DESCRIPTION	REF . NO	DESCRIPTION	REF . NO	DESCRIPTION	REF . NO	DESCRIPTION	REF . NO	DESCRIPTION	REF . NO
TENSION ARM COUPLING	20	BOLT/M6	6	COVER/OIL FILTER	16	GEAR, GASKET	12		
ARM COUPLING	21	BOLT/M8X16	10	CASE/GEAR	20	GEAR, SHAFT	12		
ARM COUPLING	22	BOLT/M10X1.25X82	11	CLAMP HARNESS	15	GEAR, YOK	12		
BALL, STEEL	1	BOLT/M12X70	9	CLIP, STRAINER	21	GEAR, BELT PUMP	20		
BAND, HOSE	17	BOLT/M6	32	CLIP	16	GEAR, RING	11		
BAND, HOSE/ASSY	21	BOLT/M8X10	33	CLIP, HOSE	21	GEAR CASE	9		
BEARING	27	BOLT/M8X30	20	CLUTCH/STARTER ASSY	27	GENERATOR ASSY	9		
BEARING, RB/60025	17	BOLT/M8X45	9	COLLAR	28	GUIDE, VALVE	1		
BEARING, RB/60025	15	BOLT/M8X75	11	CONNECTOR	21	RANGER	10		
BEARING, RB/6005	9	BOLT/M8X75	9	CONNECTOR, GLOW PLUG	23	HOLDER ASSY	28		
BEARING, RB/6203	20	BOLT/M8X85	17	CONNECTOR, OIL FILTER	5	HOLDER/DELIVERYVALVE	28		
BEARING, THRUST CRANK	5	BOLT/M8X85	9	COVER	8	HOLDER/NOZZLE	24		
BELT VHM034	18	BOLT/M8X85	27	COVER/INJECTIONPUMP	28	HOLDER/STARTER ASSY	25		
BODY/NOZZLE HOLDER	24	BOLT/M8	16	COVER/BEARER HEAD	28	HOLDER, BRUSH ASSY	27		
BODY/OILPUMP	16	BOLT/M8	22	COVER, RINGER	6	HOSE/RUBBER	2		
BODY/WATERPUMP	17	BOLT/M8	27	CUP, SEALING/VA	9	HOSE, RUBBER	17		
BOLT	5	BOLT/M8X12	15	CUTTER, VALVE	11	HOSE, RUBBER	17		
	8	BOLT, JOINT	16	CYLINDER/LOCK ASSY	5	HOTPLUG	21		
	9	BOLT, SEMS/M8X16	18	CYLINDERHEAD ASSY	5	HOUSING	2		
	11	BOLT, SEMS/M8X16	16	DOVLE	5	HOUSING/FLYWHEEL	26		
	15	BOLT, SEMS/M8X20	9	DRIVE TACHOMETER	9	HOUSING/STARTER ASSY	8		
	16	BOLT, SEMS/M8X20	12	ELEMENT ASSY	9	HOUSING/STARTER ASSY	27		
	17	BOLT, SEMS/M8X20	17	FLYWEIGHT ASSY	26	HOUSING/THERMOSTAT	17		
	18	BOLT, SEMS/M8X20	23	FRAME ASSY	26	INJECTIONNOZZLE ASSY	17		
	19	BOLT, SEMS/M8X20	8	FRAME ASSY	26	INJECTIONNOZZLE ASSY	19		
	20	BOLT, SEMS/M8X20	38	FRAME ASSEMBLY	26	INJECTIONPUMP ASSY	10		
	21	BOLT, SEMS/M8X20	16	GASKET	15	INJECTIONPUMP ASSY	20		
	22	BOLT, SEMS/M8X20	12	GASKET/COVER	28	JOINT-TYPE 2	21		
	23	BOLT, SEMS/M8X20	9	GASKET/COVER	6	KEY	12		
	24	BOLT, SEMS/M8X20	17	GASKET/COVER	26	LEVELGAGE	20		
	25	BOLT, SEMS/M8X20	13	GASKET/COVER	23	LEVER/CONTROL COMP	5		
	26	BOLT, SEMS/M8X20	13	GASKET/COVER	23	LEVER/CONTROL COMP	20		
	27	BOLT, SEMS/M8X20	13	GASKET/COVER	23	MANIFOLD (INLET) ASSY	3		
	28	BOLT, SEMS/M8X20	13	GASKET/COVER	23	MANIFOLD, EXH	4		
	29	BOLT, SEMS/M8X20	13	GASKET/COVER	23	MANIFOLD, EXH	4		
	30	BOLT, SEMS/M8X20	13	GASKET/COVER	23	MANIFOLD, EXH	4		
	31	BOLT, SEMS/M8X20	13	GASKET/COVER	23	MANIFOLD, EXH	4		
	32	BOLT, SEMS/M8X20	13	GASKET/COVER	23	MANIFOLD, EXH	4		
	33	BOLT, SEMS/M8X20	13	GASKET/COVER	23	MANIFOLD, EXH	4		
	34	BOLT, SEMS/M8X20	13	GASKET/COVER	23	MANIFOLD, EXH	4		
	35	BOLT, SEMS/M8X20	13	GASKET/COVER	23	MANIFOLD, EXH	4		
	36	BOLT, SEMS/M8X20	13	GASKET/COVER	23	MANIFOLD, EXH	4		
	37	BOLT, SEMS/M8X20	13	GASKET/COVER	23	MANIFOLD, EXH	4		
	38	BOLT, SEMS/M8X20	13	GASKET/COVER	23	MANIFOLD, EXH	4		
	39	BOLT, SEMS/M8X20	13	GASKET/COVER	23	MANIFOLD, EXH	4		
	40	BOLT, SEMS/M8X20	13	GASKET/COVER	23	MANIFOLD, EXH	4		
	41	BOLT, SEMS/M8X20	13	GASKET/COVER	23	MANIFOLD, EXH	4		
	42	BOLT, SEMS/M8X20	13	GASKET/COVER	23	MANIFOLD, EXH	4		
	43	BOLT, SEMS/M8X20	13	GASKET/COVER	23	MANIFOLD, EXH	4		
	44	BOLT, SEMS/M8X20	13	GASKET/COVER	23	MANIFOLD, EXH	4		
	45	BOLT, SEMS/M8X20	13	GASKET/COVER	23	MANIFOLD, EXH	4		
	46	BOLT, SEMS/M8X20	13	GASKET/COVER	23	MANIFOLD, EXH	4		
	47	BOLT, SEMS/M8X20	13	GASKET/COVER	23	MANIFOLD, EXH	4		
	48	BOLT, SEMS/M8X20	13	GASKET/COVER	23	MANIFOLD, EXH	4		
	49	BOLT, SEMS/M8X20	13	GASKET/COVER	23	MANIFOLD, EXH	4		
	50	BOLT, SEMS/M8X20	13	GASKET/COVER	23	MANIFOLD, EXH	4		
	51	BOLT, SEMS/M8X20	13	GASKET/COVER	23	MANIFOLD, EXH	4		
	52	BOLT, SEMS/M8X20	13	GASKET/COVER	23	MANIFOLD, EXH	4		
	53	BOLT, SEMS/M8X20	13	GASKET/COVER	23	MANIFOLD, EXH	4		
	54	BOLT, SEMS/M8X20	13	GASKET/COVER	23	MANIFOLD, EXH	4		
	55	BOLT, SEMS/M8X20	13	GASKET/COVER	23	MANIFOLD, EXH	4		
	56	BOLT, SEMS/M8X20	13	GASKET/COVER	23	MANIFOLD, EXH	4		
	57	BOLT, SEMS/M8X20	13	GASKET/COVER	23	MANIFOLD, EXH	4		
	58	BOLT, SEMS/M8X20	13	GASKET/COVER	23	MANIFOLD, EXH	4		
	59	BOLT, SEMS/M8X20	13	GASKET/COVER	23	MANIFOLD, EXH	4		
	60	BOLT, SEMS/M8X20	13	GASKET/COVER	23	MANIFOLD, EXH	4		
	61	BOLT, SEMS/M8X20	13	GASKET/COVER	23	MANIFOLD, EXH	4		
	62	BOLT, SEMS/M8X20	13	GASKET/COVER	23	MANIFOLD, EXH	4		
	63	BOLT, SEMS/M8X20	13	GASKET/COVER	23	MANIFOLD, EXH	4		
	64	BOLT, SEMS/M8X20	13	GASKET/COVER	23	MANIFOLD, EXH	4		
	65	BOLT, SEMS/M8X20	13	GASKET/COVER	23	MANIFOLD, EXH	4		
	66	BOLT, SEMS/M8X20	13	GASKET/COVER	23	MANIFOLD, EXH	4		
	67	BOLT, SEMS/M8X20	13	GASKET/COVER	23	MANIFOLD, EXH	4		
	68	BOLT, SEMS/M8X20	13	GASKET/COVER	23	MANIFOLD, EXH	4		
	69	BOLT, SEMS/M8X20	13	GASKET/COVER	23	MANIFOLD, EXH	4		
	70	BOLT, SEMS/M8X20	13	GASKET/COVER	23	MANIFOLD, EXH	4		
	71	BOLT, SEMS/M8X20	13	GASKET/COVER	23	MANIFOLD, EXH	4		
	72	BOLT, SEMS/M8X20	13	GASKET/COVER	23	MANIFOLD, EXH	4		
	73	BOLT, SEMS/M8X20	13	GASKET/COVER	23	MANIFOLD, EXH	4		
	74	BOLT, SEMS/M8X20	13	GASKET/COVER	23	MANIFOLD, EXH	4		
	75	BOLT, SEMS/M8X20	13	GASKET/COVER	23	MANIFOLD, EXH	4		
	76	BOLT, SEMS/M8X20	13	GASKET/COVER	23	MANIFOLD, EXH	4		
	77	BOLT, SEMS/M8X20	13	GASKET/COVER	23	MANIFOLD, EXH	4		
	78	BOLT, SEMS/M8X20	13	GASKET/COVER	23	MANIFOLD, EXH	4		
	79	BOLT, SEMS/M8X20	13	GASKET/COVER	23	MANIFOLD, EXH	4		
	80	BOLT, SEMS/M8X20	13	GASKET/COVER	23	MANIFOLD, EXH	4		
	81	BOLT, SEMS/M8X20	13	GASKET/COVER	23	MANIFOLD, EXH	4		
	82	BOLT, SEMS/M8X20	13	GASKET/COVER	23	MANIFOLD, EXH	4		
	83	BOLT, SEMS/M8X20	13	GASKET/COVER	23	MANIFOLD, EXH	4		
	84	BOLT, SEMS/M8X20	13	GASKET/COVER	23	MANIFOLD, EXH	4		
	85	BOLT, SEMS/M8X20	13	GASKET/COVER	23	MANIFOLD, EXH	4		
	86	BOLT, SEMS/M8X20	13	GASKET/COVER	23	MANIFOLD, EXH	4		
	87	BOLT, SEMS/M8X20	13	GASKET/COVER	23	MANIFOLD, EXH	4		
	88	BOLT, SEMS/M8X20	13	GASKET/COVER	23	MANIFOLD, EXH	4		
	89	BOLT, SEMS/M8X20	13	GASKET/COVER	23	MANIFOLD, EXH	4		
	90	BOLT, SEMS/M8X20	13	GASKET/COVER	23	MANIFOLD, EXH	4		
	91	BOLT, SEMS/M8X20	13	GASKET/COVER	23	MANIFOLD, EXH	4		
	92	BOLT, SEMS/M8X20	13	GASKET/COVER	23	MANIFOLD, EXH	4		
	93	BOLT, SEMS/M8X20	13	GASKET/COVER	23	MANIFOLD, EXH	4		
	94	BOLT, SEMS/M8X20	13	GASKET/COVER	23	MANIFOLD, EXH	4		
	95	BOLT, SEMS/M8X20	13	GASKET/COVER	23	MANIFOLD, EXH	4		
	96	BOLT, SEMS/M8X20	13	GASKET/COVER	23	MANIFOLD, EXH	4		
	97	BOLT, SEMS/M8X20	13	GASKET/COVER	23	MANIFOLD, EXH	4		
	98	BOLT, SEMS/M8X20	13	GASKET/COVER	23	MANIFOLD, EXH	4		
	99	BOLT, SEMS/M8X20	13	GASKET/COVER	23	MANIFOLD, EXH	4		
	100	BOLT, SEMS/M8X20	13	GASKET/COVER	23	MANIFOLD, EXH	4		







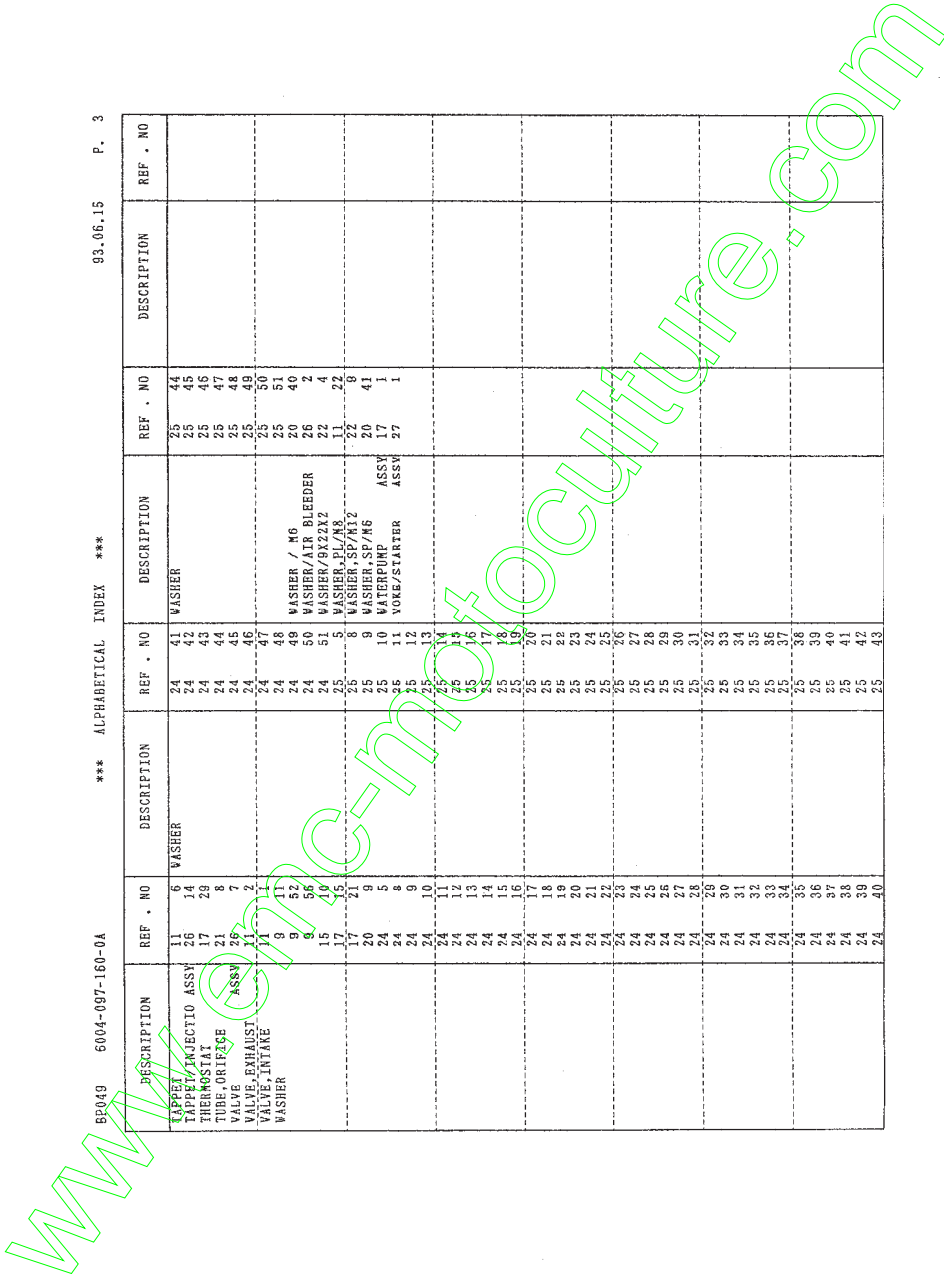
DESCRIPTION	REF . NO	DESCRIPTION	REF . NO	DESCRIPTION	REF . NO	DESCRIPTION	REF . NO
SWITCH, OIL PRESSURE	23	WASHER	24	WASHER	40		43
TAPPEL INJECTIO ASSY	6		24		41		44
TAPPEL INJECTIO ASSY	14		24		42		45
TAPPEL INJECTIO ASSY	20		24		43		46
TAPPEL INJECTIO ASSY	21		24		44		47
TAPPEL INJECTIO ASSY	28		24		45		48
VALVE, EXHAUST	26		24		46		49
VALVE, EXHAUST	7		24		47		50
VALVE, EXHAUST	11		24		48		51
VALVE, INTAKE	9		24		49		52
WASHER	11		24		50		53
	1		24		51		54
	9		24		52		55
	52		24		53		56
	9		24		54		57
	56		24		55		58
	15		24		56		59
	15		24		57		60
	15		24		58		61
	17		24		59		62
	24		24		60		63
	24		24		61		64
	10		24		62		65
	10		24		63		66
	12		24		64		67
	12		24		65		68
	13		24		66		69
	13		24		67		70
	14		24		68		71
	14		24		69		72
	15		24		70		73
	15		24		71		74
	16		24		72		75
	17		24		73		76
	17		24		74		77
	18		24		75		78
	18		24		76		79
	19		24		77		80
	19		24		78		81
	20		24		79		82
	20		24		80		83
	21		24		81		84
	21		24		82		85
	22		24		83		86
	22		24		84		87
	23		24		85		88
	23		24		86		89
	24		24		87		90
	24		24		88		91
	24		24		89		92
	24		24		90		93
	24		24		91		94
	24		24		92		95
	24		24		93		96
	24		24		94		97
	24		24		95		98
	24		24		96		99
	24		24		97		100
	24		24		98		101
	24		24		99		102
	24		24		100		103
	24		24		101		104
	24		24		102		105
	24		24		103		106
	24		24		104		107
	24		24		105		108
	24		24		106		109
	24		24		107		110
	24		24		108		111
	24		24		109		112
	24		24		110		113
	24		24		111		114
	24		24		112		115
	24		24		113		116
	24		24		114		117
	24		24		115		118
	24		24		116		119
	24		24		117		120
	24		24		118		121
	24		24		119		122
	24		24		120		123
	24		24		121		124
	24		24		122		125
	24		24		123		126
	24		24		124		127
	24		24		125		128
	24		24		126		129
	24		24		127		130
	24		24		128		131
	24		24		129		132
	24		24		130		133
	24		24		131		134
	24		24		132		135
	24		24		133		136
	24		24		134		137
	24		24		135		138
	24		24		136		139
	24		24		137		140
	24		24		138		141
	24		24		139		142
	24		24		140		143
	24		24		141		144
	24		24		142		145
	24		24		143		146
	24		24		144		147
	24		24		145		148
	24		24		146		149
	24		24		147		150



DESCRIPTION	REF. NO	DESCRIPTION	REF. NO	DESCRIPTION	REF. NO	DESCRIPTION	REF. NO
ARM/TENSION	20	BOLT/M10X1.25X18	9	CARRIDGE-OIL FILTER	16	GEAR, CRANK SHAFT	12
ARM, CONTROL	20	BOLT/M10X1.25X18	10	CASE/ADAPTER	2	GEAR, CRANK SHAFT	15
ARM, COATING	20	BOLT/M10X1.25X82	1	CLAMP, HARNESS	9	GEAR, IDLE	12
ARMATURE/STARTER ASSY	27	BOLT/M12X70	22	CLAMP, STRAINER	18	GEAR, INJ PUMP	20
BALL, STEEL	17	BOLT/M6	9	CLIP, HOSE	21	GEAR CASE	16
BAND, HOSE	27	BOLT/M6X10	20	CLUTCH/STARTER ASSY	27	GENERATOR ASSY	22
BAND, HOSE ASSY/12	21	BOLT/M8X30	9	COLLOD	28	GUIDE VALVE	1
BEARING	27	BOLT/M8X45	11	CONNECTOR	21	HANGER	10
BEARING	27	BOLT/M8X75	9	CONNECTOR, GLOW PLUG	23	HOLDER ASSY	28
BEARING	28	BOLT/M8X85	17	CONNECTOR, OIL FILTER	5	HOLDER/DELIVERVALVE	26
BEARING/CRANK/IN	6	BOLT/M8X85	9	COVER	9	HOLDER/NOZZLE ASSY	24
BEARING/WATER PUMP	6	BOLT/M8X85	27	COVER/INJECTIONPUMP	28	HOLDER/STARTER ASSY	27
BEARING/WATERPUMP	6	BOLT/M8	26	COVER-REARING	16	HOLDER, BRUSH ASSY	28
BEARING, RB/600SS	17	BOLT/M8	18	COVER, CYLINDER HEAD	28	HOSE/RABBER	2
BEARING, RB/6004	20	BOLT/M8	27	CUP/SEALING/14	2	HOSE/RUBBER	21
BEARING, RB/6005	20	BOLT/M8	22	CUTTER, VALVE	9	HOSE, RUBBER	17
BEARING, RB/6200	20	BOLT/M8X12	13	CYLINDERLOCK ASSY	11	HOTPLUG	21
BEARING, THRUST CRANK	6	BOLT/M8X12	9	CYLINDERHEAD ASSY	5	HOUSING ASSY	21
	6	BOLT/M8X12	23	DIAPHRAGM	1	HOUSING/FLYWHEEL ASSY	25
	6	BOLT/M8X12	20	DIAPHRAGM	9	HOUSING/STARTER ASSY	27
	6	BOLT/M8X12	23	DIAPHRAGM	9	HOUSING/THERMOSTAT	17
BELT VHM034	18	BOLT, SEMS/M8X16	9	FLYWEIGHT ASSY	26	INJECTIONNOZZLE ASSY	19
BODY/NOZZLE HOLDER	24	BOLT, SEMS/M8X16	16	FLYWHEEL	20	INJECTIONPUMP ASSY	10
BODY/OILPUMP	16	BOLT, SEMS/M8X20	3	FRAME	15	INJECTIONPUMP ASSY	20
BODY/WATERPUMP	17	BOLT, SEMS/M8X20	9	FRAME ASSY	28	JOINT-TYPE 2	21
BOLT	3	BOLT, SEMS/M8X45	17	FRAME/STARTEREND	28	KEY	12
	5	BOLT, SEMS/M8X45	22	GASKET	27	LEVELAGE	18
	8	BOLT, SEMS/M8X45	22	GASKET	7	LEVELAGE	20
	9	BRACKET, ROCKER SHAFT	9	GASKET/COVER	17	LEVER/CONTROL COMP	5
	11	BRACKET, ROCKER SHAFT	17	GASKET/COVER	23	LEVER/CONTROL COMP	29
	15	BRACKET, ROCKER SHAFT	11	GASKET/COVER	8	METAL, CRANK	13
	15	BRACKET, ROCKER SHAFT	11	GASKET/COVER	8	METAL, CRANK	13
	17	BRUSH	14	GASKET/CYLINDERHEAD	9	METAL, CRANK	13
	17	BRUSH GUIDE	28	GASKET/DELIVERVALVE	26	METAL, CRANK	13
	20	BUSHING/DRAIN	28	GASKET/HOUSING	17	METAL, CRANK	13
	20	BUSHING/INJ PUMP	27	GASKET/MATER PUMP	17	METAL, CRANK	13
	28	CAMSHAFT/INJ PUMP	20	GASKET, EYH MANIFOLD	4	METAL, CRANK	13
	28	CAP/RELIEF VALVE	9	GASKET, GEAR CASE	4	METAL, CRANK	13
	28	CAP, BLANK/30	39	GASKET, INLET MANIFOLD	9	METAL, CRANK SET	8
	28	CAP, OIL FILLER	2	GASKET, NOZZLE	3	METAL, CRANK SET	8
	28	CAP, OIL FILLER	2	GASKET, NOZZLE	3	METAL, CRANK SET	8
	28	CAP, SEALING	5	GASKET, PLATEASE	0	METER, THERMO	6
	28	CAP, SEALING	5	GASKET, SPACER	17	NIPPLE	22
	28	CAP, SEALING	5	GEAR	4	NOZZLE	24
	28	CAP, SEALING	5	GEAR/OILPUMP ASSY	16	NOZZLE	24
BOLT (US)	4						

DESCRIPTION	REF. NO	DESCRIPTION	REF. NO	DESCRIPTION	REF. NO	DESCRIPTION	REF. NO	DESCRIPTION	REF. NO
NUT	9	PIN/STRIKER	5	PLUG	17	SHAFT	2	SHAFT/ADAPTER	20
	11	PIN/CONTROL	20		22	SHAFT/ROCKERM	9	SHAFT/ROCKERM	49
	18	PIN/GROOVE	9		27	SHAFT/CAN	11	SHAFT/ROCKERM	11
	20	PIN/IDLE GEAR	5	PLUG/PI1/2	6	SHAFT/ROCKERM	12	SHAFT/ROCKERM	12
	24	PIN/NOZZLE HOLDER	5	PLUG/LOW	4	SHAFT/ROCKERM ASSY	11	SHAFT/ROCKERM ASSY	11
	25	PIN/NOZZLE HOLDER	5	PLUG/HIGH	4	SHAFT/ROCKERM	11	SHAFT/ROCKERM	11
	27	PIN/PISTON	3		3	SHAFT/ROCKERM ASSY	11	SHAFT/ROCKERM ASSY	11
	28	PIN/SNAP/6	9	PULLEY WATER PUMP	23	SHIM/ADAPTER	20	SHIM/ADAPTER	31
	28	PIN/STRAIGHT	8	PUMP OIL	2	SHIM/ADAPTER	20	SHIM/ADAPTER	32
	28	PIN/STRAIGHT	8	PUMP/OIL ASSY	16	SHIM/PUMP, INJ	20	SHIM/PUMP, INJ	2
	28	PIN/TUBE	5	RACK/CONTROL ASSY	26	SHIM/PUMP, INJ	20	SHIM/PUMP, INJ	3
NUT/M10	22	PINION/STARTER	27	RELAY, SOLENOID	23				4
NUT/M8	9	PINION/WATER PUMP	17	RESISTANCE	23				5
	9	PIPE/WATER PUMP	17	RETAINER	27				6
	9	PIPE/WATER PUMP	17	RETAINER	27				7
	9	PIPE/WATER PUMP	17	RETAINER	27				8
	11	PIPE/WATER PUMP	17	RETAINER	27				9
	17	PIPE/WATER PUMP	17	RETAINER	27				10
	17	PIPE/WATER PUMP	17	RETAINER	27				11
NUT/NOZZLE/RETAINING	20	PIPE/OIL	16	RING/CONTROL	23				12
	20	PIPE/PUMP HOUSING	16	RING/PACKING	23				13
	20	PIPE/WATER PUMP	17	RING/PACKING	23				14
	20	PIPE/WATER PUMP	17	RING/PACKING	23				15
	20	PIPE/WATER PUMP	17	RING/PACKING	23				16
	20	PIPE/WATER PUMP	17	RING/PACKING	23				17
NUT, CAP	0	PISTON/OV	4	RING, SNAP / 4 E	20				23
NUT, CAP/M8	2	PISTON/OV	4	RING, SNAP / 4 E	20				24
NUT, FLANGE	13	PISTON/OV	4	RING, SNAP / 4 E	20				25
O-RING	17	PISTON/RELIEF VALVE	9	RING, SNAP/16 C	20				26
	17	PISTON/RELIEF VALVE	9	RING, SNAP/16 C	20				27
	17	PISTON/RELIEF VALVE	9	RING, SNAP/16 C	20				28
	17	PISTON/RELIEF VALVE	9	RING, SNAP/16 C	20				29
	17	PISTON/RELIEF VALVE	9	RING, SNAP/16 C	20				30
O-RING	13	PLATE	28	ROCKERARM	11				31
	13	PLATE	28	ROCKERARM	11				32
	13	PLATE	28	ROCKERARM	11				33
O-RING IA S50	9	PLATE/ADJUST	22	ROD, CORN	13				34
O-RING/P 8	20	PLATE/ADJUST	22	ROD, CORN	13				35
O-RING/P15	16	PLATE/TAPPET/ADJUST	26	ROD, CORN	13				36
OLLEAF	7	PLATE/TAPPET/ADJUST	26	ROD, CORN	13				37
ORING	26	PLATE/TAPPET/ADJUST	26	ROD, CORN	13				38
PACKING	2	ROTOR ASSY	26	ROTOR ASSY	26				39
	2	ROTOR ASSY	26	ROTOR ASSY	26				40
	2	ROTOR ASSY	26	ROTOR ASSY	26				41
	2	ROTOR ASSY	26	ROTOR ASSY	26				42
	2	ROTOR ASSY	26	ROTOR ASSY	26				43
	2	ROTOR ASSY	26	ROTOR ASSY	26				44
	2	ROTOR ASSY	26	ROTOR ASSY	26				45
	2	ROTOR ASSY	26	ROTOR ASSY	26				46
	2	ROTOR ASSY	26	ROTOR ASSY	26				47
	2	ROTOR ASSY	26	ROTOR ASSY	26				48
	2	ROTOR ASSY	26	ROTOR ASSY	26				49
	2	ROTOR ASSY	26	ROTOR ASSY	26				50
	2	ROTOR ASSY	26	ROTOR ASSY	26				51
	2	ROTOR ASSY	26	ROTOR ASSY	26				52
	2	ROTOR ASSY	26	ROTOR ASSY	26				53
	2	ROTOR ASSY	26	ROTOR ASSY	26				54
	2	ROTOR ASSY	26	ROTOR ASSY	26				55
	2	ROTOR ASSY	26	ROTOR ASSY	26				56
	2	ROTOR ASSY	26	ROTOR ASSY	26				57
	2	ROTOR ASSY	26	ROTOR ASSY	26				58
	2	ROTOR ASSY	26	ROTOR ASSY	26				59
	2	ROTOR ASSY	26	ROTOR ASSY	26				60
	2	ROTOR ASSY	26	ROTOR ASSY	26				61
	2	ROTOR ASSY	26	ROTOR ASSY	26				62
	2	ROTOR ASSY	26	ROTOR ASSY	26				63
	2	ROTOR ASSY	26	ROTOR ASSY	26				64
	2	ROTOR ASSY	26	ROTOR ASSY	26				65
	2	ROTOR ASSY	26	ROTOR ASSY	26				66
	2	ROTOR ASSY	26	ROTOR ASSY	26				67
	2	ROTOR ASSY	26	ROTOR ASSY	26				68
	2	ROTOR ASSY	26	ROTOR ASSY	26				69
	2	ROTOR ASSY	26	ROTOR ASSY	26				70
	2	ROTOR ASSY	26	ROTOR ASSY	26				71
	2	ROTOR ASSY	26	ROTOR ASSY	26				72
	2	ROTOR ASSY	26	ROTOR ASSY	26				73
	2	ROTOR ASSY	26	ROTOR ASSY	26				74
	2	ROTOR ASSY	26	ROTOR ASSY	26				75
	2	ROTOR ASSY	26	ROTOR ASSY	26				76
	2	ROTOR ASSY	26	ROTOR ASSY	26				77
	2	ROTOR ASSY	26	ROTOR ASSY	26				78
	2	ROTOR ASSY	26	ROTOR ASSY	26				79
	2	ROTOR ASSY	26	ROTOR ASSY	26				80
	2	ROTOR ASSY	26	ROTOR ASSY	26				81
	2	ROTOR ASSY	26	ROTOR ASSY	26				82
	2	ROTOR ASSY	26	ROTOR ASSY	26				83
	2	ROTOR ASSY	26	ROTOR ASSY	26				84
	2	ROTOR ASSY	26	ROTOR ASSY	26				85
	2	ROTOR ASSY	26	ROTOR ASSY	26				86
	2	ROTOR ASSY	26	ROTOR ASSY	26				87
	2	ROTOR ASSY	26	ROTOR ASSY	26				88
	2	ROTOR ASSY	26	ROTOR ASSY	26				89
	2	ROTOR ASSY	26	ROTOR ASSY	26				90
	2	ROTOR ASSY	26	ROTOR ASSY	26				91
	2	ROTOR ASSY	26	ROTOR ASSY	26				92
	2	ROTOR ASSY	26	ROTOR ASSY	26				93
	2	ROTOR ASSY	26	ROTOR ASSY	26				94
	2	ROTOR ASSY	26	ROTOR ASSY	26				95
	2	ROTOR ASSY	26	ROTOR ASSY	26				96
	2	ROTOR ASSY	26	ROTOR ASSY	26				97
	2	ROTOR ASSY	26	ROTOR ASSY	26				98
	2	ROTOR ASSY	26	ROTOR ASSY	26				99
	2	ROTOR ASSY	26	ROTOR ASSY	26				100

DESCRIPTION	REF. NO	DESCRIPTION	REF. NO	DESCRIPTION	REF. NO	DESCRIPTION	REF. NO
TAPPEL	11	WASHER	24	WASHER	24	WASHER	25
TAPPET/INJECTIO ASSY	14	WASHER	41	WASHER	44	WASHER	44
THERMOSTAT	26	WASHER	42		45		45
TUBE, ORIFICE	17	WASHER	43		46		46
TUBE, ORIFICE	21	WASHER	44		47		47
VALVE, EXHAUST	7	WASHER	45		48		48
VALVE, EXHAUST	11	WASHER	46		49		49
VALVE, INTAKE	11	WASHER / M6	47		50		50
WASHER	9	WASHER/AIR BLEEDER	48		51		51
	8	WASHER/BJ232	49		52		52
	56	WASHER, PL/M8	50		53		53
	15	WASHER, SP/M12	51		54		54
	17	WASHER, SP/M12	52		55		55
	21	WASHER, SP/M12	53		56		56
	9	WASHER, SP/M6	54		57		57
	20	WATERPUMP ASSY	55		58		58
	24	WATERPUMP ASSY	56		59		59
	24	WATERPUMP ASSY	57		60		60
	24	WATERPUMP ASSY	58		61		61
	24	WATERPUMP ASSY	59		62		62
	24	WATERPUMP ASSY	60		63		63
	24	WATERPUMP ASSY	61		64		64
	24	WATERPUMP ASSY	62		65		65
	24	WATERPUMP ASSY	63		66		66
	24	WATERPUMP ASSY	64		67		67
	24	WATERPUMP ASSY	65		68		68
	24	WATERPUMP ASSY	66		69		69
	24	WATERPUMP ASSY	67		70		70
	24	WATERPUMP ASSY	68		71		71
	24	WATERPUMP ASSY	69		72		72
	24	WATERPUMP ASSY	70		73		73
	24	WATERPUMP ASSY	71		74		74
	24	WATERPUMP ASSY	72		75		75
	24	WATERPUMP ASSY	73		76		76
	24	WATERPUMP ASSY	74		77		77
	24	WATERPUMP ASSY	75		78		78
	24	WATERPUMP ASSY	76		79		79
	24	WATERPUMP ASSY	77		80		80
	24	WATERPUMP ASSY	78		81		81
	24	WATERPUMP ASSY	79		82		82
	24	WATERPUMP ASSY	80		83		83
	24	WATERPUMP ASSY	81		84		84
	24	WATERPUMP ASSY	82		85		85
	24	WATERPUMP ASSY	83		86		86
	24	WATERPUMP ASSY	84		87		87
	24	WATERPUMP ASSY	85		88		88
	24	WATERPUMP ASSY	86		89		89
	24	WATERPUMP ASSY	87		90		90
	24	WATERPUMP ASSY	88		91		91
	24	WATERPUMP ASSY	89		92		92
	24	WATERPUMP ASSY	90		93		93
	24	WATERPUMP ASSY	91		94		94
	24	WATERPUMP ASSY	92		95		95
	24	WATERPUMP ASSY	93		96		96
	24	WATERPUMP ASSY	94		97		97
	24	WATERPUMP ASSY	95		98		98
	24	WATERPUMP ASSY	96		99		99
	24	WATERPUMP ASSY	97		100		100



DESCRIPTION	REF . NO	DESCRIPTION	REF . NO	DESCRIPTION	REF . NO	DESCRIPTION	REF . NO	DESCRIPTION	REF . NO
ARM/PTER/90*	82	BAND/22	48	BEARING/NEEDLE	28	BOLT	8		64
ARM/PTER/90*	83	BAND, HOSE	46		31		10		65
ARM/PTER/90*	84	BAND, HOSE	1		20		2		66
ARM/PTER/90*	85	BAND, HOSE	2		10		2		67
ARM/PTER/90*	86	BAND, HOSE	3		10		2		68
ARM/PTER/90*	87	BAND, HOSE	4		10		2		69
ARM/PTER/90*	88	BAND, HOSE	5		10		2		70
ARM/PTER/90*	89	BAND, HOSE	6		10		2		71
ARM/PTER/90*	90	BAND, HOSE	7		10		2		72
ARM/PTER/90*	91	BAND, HOSE	8		10		2		73
ARM/PTER/90*	92	BAND, HOSE	9		10		2		74
ARM/PTER/90*	93	BAND, HOSE	10		10		2		75
ARM/PTER/90*	94	BAND, HOSE	11		10		2		76
ARM/PTER/90*	95	BAND, HOSE	12		10		2		77
ARM/PTER/90*	96	BAND, HOSE	13		10		2		78
ARM/PTER/90*	97	BAND, HOSE	14		10		2		79
ARM/PTER/90*	98	BAND, HOSE	15		10		2		80
ARM/PTER/90*	99	BAND, HOSE	16		10		2		81
ARM/PTER/90*	100	BAND, HOSE	17		10		2		82
ARM/PTER/90*	101	BAND, HOSE	18		10		2		83
ARM/PTER/90*	102	BAND, HOSE	19		10		2		84
ARM/PTER/90*	103	BAND, HOSE	20		10		2		85
ARM/PTER/90*	104	BAND, HOSE	21		10		2		86
ARM/PTER/90*	105	BAND, HOSE	22		10		2		87
ARM/PTER/90*	106	BAND, HOSE	23		10		2		88
ARM/PTER/90*	107	BAND, HOSE	24		10		2		89
ARM/PTER/90*	108	BAND, HOSE	25		10		2		90
ARM/PTER/90*	109	BAND, HOSE	26		10		2		91
ARM/PTER/90*	110	BAND, HOSE	27		10		2		92
ARM/PTER/90*	111	BAND, HOSE	28		10		2		93
ARM/PTER/90*	112	BAND, HOSE	29		10		2		94
ARM/PTER/90*	113	BAND, HOSE	30		10		2		95
ARM/PTER/90*	114	BAND, HOSE	31		10		2		96
ARM/PTER/90*	115	BAND, HOSE	32		10		2		97
ARM/PTER/90*	116	BAND, HOSE	33		10		2		98
ARM/PTER/90*	117	BAND, HOSE	34		10		2		99
ARM/PTER/90*	118	BAND, HOSE	35		10		2		100
ARM/PTER/90*	119	BAND, HOSE	36		10		2		101
ARM/PTER/90*	120	BAND, HOSE	37		10		2		102
ARM/PTER/90*	121	BAND, HOSE	38		10		2		103
ARM/PTER/90*	122	BAND, HOSE	39		10		2		104
ARM/PTER/90*	123	BAND, HOSE	40		10		2		105
ARM/PTER/90*	124	BAND, HOSE	41		10		2		106
ARM/PTER/90*	125	BAND, HOSE	42		10		2		107
ARM/PTER/90*	126	BAND, HOSE	43		10		2		108
ARM/PTER/90*	127	BAND, HOSE	44		10		2		109
ARM/PTER/90*	128	BAND, HOSE	45		10		2		110
ARM/PTER/90*	129	BAND, HOSE	46		10		2		111
ARM/PTER/90*	130	BAND, HOSE	47		10		2		112
ARM/PTER/90*	131	BAND, HOSE	48		10		2		113
ARM/PTER/90*	132	BAND, HOSE	49		10		2		114
ARM/PTER/90*	133	BAND, HOSE	50		10		2		115
ARM/PTER/90*	134	BAND, HOSE	51		10		2		116
ARM/PTER/90*	135	BAND, HOSE	52		10		2		117
ARM/PTER/90*	136	BAND, HOSE	53		10		2		118
ARM/PTER/90*	137	BAND, HOSE	54		10		2		119
ARM/PTER/90*	138	BAND, HOSE	55		10		2		120
ARM/PTER/90*	139	BAND, HOSE	56		10		2		121
ARM/PTER/90*	140	BAND, HOSE	57		10		2		122
ARM/PTER/90*	141	BAND, HOSE	58		10		2		123
ARM/PTER/90*	142	BAND, HOSE	59		10		2		124
ARM/PTER/90*	143	BAND, HOSE	60		10		2		125
ARM/PTER/90*	144	BAND, HOSE	61		10		2		126
ARM/PTER/90*	145	BAND, HOSE	62		10		2		127
ARM/PTER/90*	146	BAND, HOSE	63		10		2		128
ARM/PTER/90*	147	BAND, HOSE	64		10		2		129
ARM/PTER/90*	148	BAND, HOSE	65		10		2		130
ARM/PTER/90*	149	BAND, HOSE	66		10		2		131
ARM/PTER/90*	150	BAND, HOSE	67		10		2		132
ARM/PTER/90*	151	BAND, HOSE	68		10		2		133
ARM/PTER/90*	152	BAND, HOSE	69		10		2		134
ARM/PTER/90*	153	BAND, HOSE	70		10		2		135
ARM/PTER/90*	154	BAND, HOSE	71		10		2		136
ARM/PTER/90*	155	BAND, HOSE	72		10		2		137
ARM/PTER/90*	156	BAND, HOSE	73		10		2		138
ARM/PTER/90*	157	BAND, HOSE	74		10		2		139
ARM/PTER/90*	158	BAND, HOSE	75		10		2		140
ARM/PTER/90*	159	BAND, HOSE	76		10		2		141
ARM/PTER/90*	160	BAND, HOSE	77		10		2		142
ARM/PTER/90*	161	BAND, HOSE	78		10		2		143
ARM/PTER/90*	162	BAND, HOSE	79		10		2		144
ARM/PTER/90*	163	BAND, HOSE	80		10		2		145
ARM/PTER/90*	164	BAND, HOSE	81		10		2		146
ARM/PTER/90*	165	BAND, HOSE	82		10		2		147
ARM/PTER/90*	166	BAND, HOSE	83		10		2		148
ARM/PTER/90*	167	BAND, HOSE	84		10		2		149
ARM/PTER/90*	168	BAND, HOSE	85		10		2		150
ARM/PTER/90*	169	BAND, HOSE	86		10		2		151
ARM/PTER/90*	170	BAND, HOSE	87		10		2		152
ARM/PTER/90*	171	BAND, HOSE	88		10		2		153
ARM/PTER/90*	172	BAND, HOSE	89		10		2		154
ARM/PTER/90*	173	BAND, HOSE	90		10		2		155
ARM/PTER/90*	174	BAND, HOSE	91		10		2		156
ARM/PTER/90*	175	BAND, HOSE	92		10		2		157
ARM/PTER/90*	176	BAND, HOSE	93		10		2		158
ARM/PTER/90*	177	BAND, HOSE	94		10		2		159
ARM/PTER/90*	178	BAND, HOSE	95		10		2		160
ARM/PTER/90*	179	BAND, HOSE	96		10		2		161
ARM/PTER/90*	180	BAND, HOSE	97		10		2		162
ARM/PTER/90*	181	BAND, HOSE	98		10		2		163
ARM/PTER/90*	182	BAND, HOSE	99		10		2		164
ARM/PTER/90*	183	BAND, HOSE	100		10		2		165

\*\*\* ALPHABETICAL INDEX \*\*\*

93.09.29 P. 2

BPO49 1620-097-100-0A

DESCRIPTION	REF. NO	DESCRIPTION	REF. NO	DESCRIPTION	REF. NO	DESCRIPTION	REF. NO	DESCRIPTION	REF. NO
BOLT/M 8X25	46	BOLT/M12X30	85	BOLT/STUD/SEAL	20	BOLT,SEMS (SP)	97	24	97
BOLT/M 8X30	79	BOLT/M12X35	70	BOLT/STUD/SEAL	21	BOLT,SEMS (SP)	99	14	99
BOLT/M 8X35	18	BOLT/M12X40	76	BOLT,SEMS (S)	21	BOLT,SEMS (S)	101	42	101
BOLT/M 8X40	19	BOLT/M12X45	84	BOLT,CONNECTOR	67		10	35	10
BOLT/M 8X45	42		94	BOLT,CONNECTOR (36)	65		11	20	11
BOLT/M 8X50	37		94	BOLT,CONNECTOR (36)	48		22	11	22
BOLT/M 8X60	44	BOLT/M14X30	70	BOLT,CONNECTOR/M16	48		28	13	28
BOLT/M 8X80	12	BOLT/M45X16	88	BOLT,HINGE	57		40	6	40
BOLT/M 8X85	7	BOLT/M6X25	4	BOLT, KNOB (M6)	44		44	17	44
BOLT/M6X32	7	BOLT/M8X12	1	BOLT,SEMS	92		46	15	46
BOLT/M10X110	76		2	BOLT,SEMS	1		47	7	47
BOLT/M10X120	83	BOLT/M8X16	40		2		48	36	48
BOLT/M10X20	27		99		3		84	13	84
BOLT/M10X25	85		99		7		84	33	84
	93	BOLT/M8X20	113		40		93	2	93
	93	BOLT/M8X25/11T	64		43		98	4	98
	94		65		51		11	5	11
	94	BOLT/M6X30	84		52		12	32	12
	95		74		57		39	27	39
BOLT/M10X30	11		78		67		41	10	41
	11		32		68		41	12	41
	15		62		78		42	10	42
	16	BOLT/M8X35	45		81		44	19	44
	39	BOLT/M8X45/7T	45	BOLT,SEMS (SP)	5		48	4	48
	52	BOLT/S	15		6		61	12	61
	71		33		7		67	8	67
	84		64		48		68	8	68
	94		65		48		68	8	68
	95		65		64		82	7	82
	96		84		65		82	9	82
BOLT/M10X35	76		84		66		83	8	83
BOLT/M10X40	81	BOLT/SEAL	6		79		83	10	83
	81	BOLT/SET/M16X86	103		85		88	10	88
	84	BOLT/SN/M10X25	66		87		151	10	151
	94	BOLT/SP	5		88		51	10	51
BOLT/M10X45	76		7		88	BOLT,SEMS/M6X25 7T	62	16	62
BOLT/M10X50	48		20		89		62	16	62
BOLT/M10Y65	76		32		90	BOLT, SM/M6X25	78	7	78
BOLT/M10X80	76		53		90	BOLT, STUD/M12X35	21	2	21
	82	BOLT/STUD	10		96	BOLT,SEMS	116	10	116
	48		11		96	ROOT	23	10	23
BOLT/M10Y90	48		20		96	ROOT/HORN	101	18	101
BOLT/M12X20	103		20		96	ROOT/HORN/TIE	72	7	72
	66		35		97		5	5	97
	71		35		97	ROOT, CHANGE	28	19	28
	38		38		97	BRACKET	22	85	22





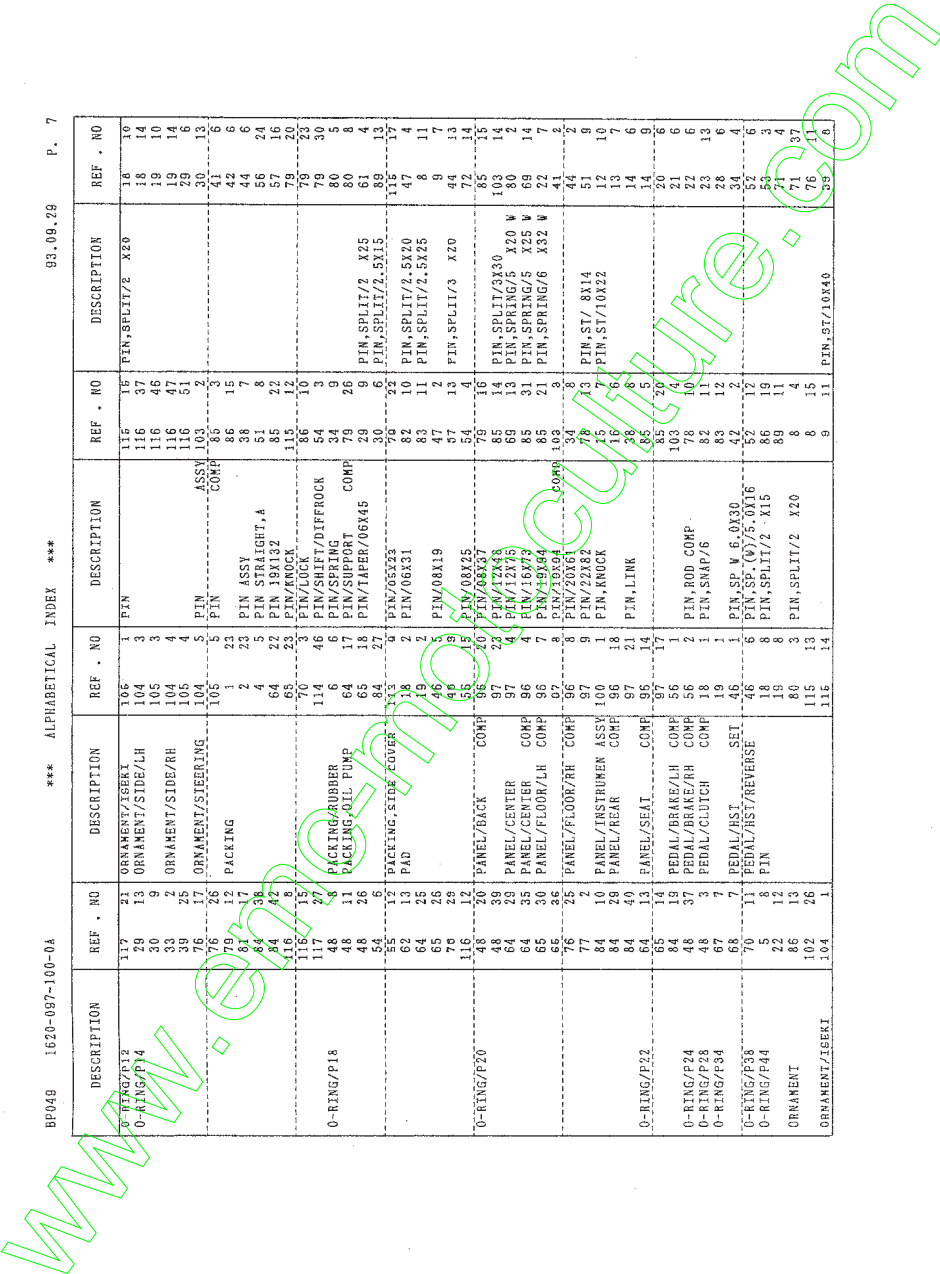
DESCRIPTION	REF. NO	DESCRIPTION	REF. NO	DESCRIPTION	REF. NO	DESCRIPTION	REF. NO	DESCRIPTION	REF. NO
COVER/CLUTCH	115	FILTER/OIL	65	GEAR/HELICAL/21	12	GRIP/SUB	40		0
COVER/CLUTCH ASSY	115	FILTER/SUCTION	84	GEAR/HELICAL/21-17	15		43		2
COVER/DISH/F	88	FLASHER	101	GEAR/HELICAL/22	12	GRIP/THROTTLE	81		12
COVER/DISH/R	88	FOOD/LH	96	GEAR/HELICAL/24	13		8		6
COVER/END	114	FOOD/RH	97	GEAR/HELICAL/25	13		9		2
COVER/FUSE	102	FOOD/SHIFT/DIFFLOCK	97	GEAR/HELICAL/26	14	GRONMET/30	7		17
COVER/REAR	113	FOOD/SHIFT/PTO	54	GEAR/HELICAL/27	14	GRONMET	90		4
COVER/SHIELD	85	FORK/SHIFT/SUB	37	GEAR/SPUR/18-36	32	GRONMET/13X17A5	90		11
COVER/SIDE	113	FORK/SHIFT/ISO	28	GEAR/SPUR/20-13	25	GRONMET/9X13X2	90		10
COVER/STEERING/F	61	FUSE/SLOWBLOW	102	GEAR/SPUR/21	36	GRONMET/CHANGE/LH COMP	90		7
COVER/STEERING/R	88	FUSE/250V2A	102	GEAR/SPUR/22	31	GUIDE/CHANGE/RH COMP	81		1
COVER/SUB	88	FUSE/2210A	102	GEAR/SPUR/23	32	GUIDE/CHANGE/RH COMP	82		1
COVER/UNDER	89	FUSE/24V20A	102	GEAR/SPUR/24	32	GUIDE/CHANGE/RH COMP	82		3
COVER/WHEEL	71	FUSE/BLADE	102	GEAR/SPUR/25	24	GUIDE/SUBEVH/RELEASE	10		18
COVER/LAMP/REAR	99	GASNET	6	GEAR/SPUR/26	25		11		22
COVER/PUMP	64	GAUGE/FUEL	76	GEAR/SPUR/27	27	HARNESSES/ENGINE ASSY	102		1
	65	GAUGE/OIL	71	GEAR/SPUR/28	27	HARNESSES/ENGINE/4P	102		6
	84	GEAR/BEVEL/10	52	GEAR/SPUR/29	24	HARNESSES/LAMP	89		2
	78	GEAR/BEVEL/12	51	GEAR/SPUR/30	31		99		6
CRANK/LEFT	5	GEAR/BEVEL/14	51	GEAR/SPUR/31	24	HARNESSES/MANIFOLD PLATE	199		45
CUP/FUEL	6	GEAR/BEVEL/15	69	GEAR/SPUR/32	25	HARNESSES/PANEL ASSY	102		31
CUSHION/C/RUBBER	88	GEAR/BEVEL/17	71	GEAR/SPUR/33	22	HARNESSES/REAR ASSY	102		20
CUSHION/RUBBER	116	GEAR/BEVEL/18	71	GEAR/SPUR/34	25	HARNESSES/REAR/NEAR	88		16
CYLINDER/LOCK	116	GEAR/BEVEL/48	48	GEAR/SPUR/35	24	HARNESSES/LAMP/NEAR	89		50
CYLINDER/OIL	102	GEAR/BEVEL/48 SET	48	GEAR/SPUR/36	25	HARNESSES/OIL PRESSURE	189		82
DOOR	102	GEAR/BEVEL/11	51	GEAR/SPUR/37	26	HARNESSES/ROCK	102		84
	102	GEAR/BEVEL/16	82	GEAR/SPUR/38	38	HARNESSES/SOCKET	102		82
DISC/CLUTCH/184 COMP	10	GEAR/BEVEL/17	71	GEAR/SPUR/39	39	HARNESSES/TUBE/NO.5	102		82
DISC/CLUTCH/PTO COMP	11	GEAR/BEVEL/17 SET	71	GEAR/SPUR/40	36	HEAD/CYLINDER	176		12
DISK/CLUTCH/215 COMP	11	GEAR/BEVEL/48	48	GEAR/SPUR/41	48	HEAD/SPOOL	117		2
DISK/WHEEL	75	GEAR/BEVEL/48 SET	48	GEAR/SPUR/42	50	HITCH/TRAILER SET	38		1
ELEMENT	4	GEAR/BEVEL/11	51	GEAR/SPUR/43	50	HOLDER	82		6
ELEMENT PAPER	5	GEAR/BEVEL/11 SET	51	GEAR/SPUR/44	100	HOLDER/LEVER COMP	83		7
END, TIE ROD ASSY	72	GEAR/BEVEL/12	51	GEAR/SPUR/45	87	HOLDER/MAD COMP	101		11
END, TIE ROD, R ASSY	72	GEAR/BEVEL/14	51	GEAR/SPUR/46	87	HOLDER/MAD COMP	101		37
ESCUTCHEON	100	GEAR/BEVEL/15	69	GEAR/SPUR/47	87	HOLDER/SHOULDER COMP	81		6
FENDER/LH	00	GEAR/BEVEL/17	71	GEAR/SPUR/48	48	HOLDER/SHOULDER COMP	81		7
FENDER/RH	00	GEAR/BEVEL/18	71	GEAR/SPUR/49	48	HOOD	86		1
FILTER	84	GEAR/BEVEL/18 SET	71	GEAR/SPUR/50	57	HOOD ASSY	86		1
FILTER ASSY	5	GEAR/BEVEL/18 SET	71	GEAR/SPUR/51	82	HOSE	101		1
FILTER COMP	48	GEAR/BEVEL/18 SET	71	GEAR/SPUR/52	83	HOSE	101		1
FILTER/FUEL	48	GEAR/BEVEL/18 SET	71	GEAR/SPUR/53	83	HOSE	101		5
FILTER/OIL	64	GEAR/BEVEL/18 SET	71	GEAR/SPUR/54	40	HOSE/OIL	46		80
	64	GEAR/BEVEL/18 SET	71	GEAR/SPUR/55	47		84		26

DESCRIPTION	REF. NO	DESCRIPTION	REF. NO	DESCRIPTION	REF. NO	DESCRIPTION	REF. NO	DESCRIPTION	REF. NO
HOSE/BELL	65	INSULATOR	54	LABEL/C/SNIPT	109	LABEL/W/FAN	108		2
HOSE/RADIATOR/INLET	1		86		110		109		108
HOSE/RADIATOR/OUTLET	2		88	LABEL/COLUMNV/LH	106	LABEL/W/MUFFLER	108		2
HOSE/SECTION	1		89	LABEL/COLUMNV/RH	107		108		2
HOSE/30X30X600	84		91	LABEL/CONTROL/PTO	106		109		5
HOSE/04X06X110	6		91	LABEL/CONTROL/SUB	107		111		5
HOSE/06X10X250	5		92	LABEL/CONTROL/SUBCON	106		109		8
HOSE/110	5		92	LABEL/CONTROL/SUBHIST	83		110		8
HOSE/14X22X80	48		93	LABEL/C/REEP	34		108		17
HOSE/205	1		94	LABEL/D/BATTERY	108		108		16
HOSE/290	1		94	LABEL/D/STARTER	108		108		16
HOSE/400	2		94	LABEL/FILTER	108		108		16
HOSE/400	10		94		110		109		7
HOSE/650	11		95		108		110		6
HOSE/650	11		95		109		111		6
HOSE/650	22		97		109		111		6
HOSE/70	48		97		110		104		2
HOSE,OIL 10X15X80	64		97		111		105		2
HOUSING	33		97		108		107		6
HOUSING	100		97		109		106		3
HOUSING/A/LE	70	INSULATOR/LEVER/SUB	40	LABEL/FUSE/4	231	LABEL/FUEL/D	110		10
HOUSING/A/LE/LH	52	INSULATOR/LEVER/RR	86	LABEL/FUSE/4	231	LAMP/FRONT/LH/C ASSY	89		1
HOUSING/A/LE/RH	52	INSULATOR/TANK	86	LABEL/FUSE/6	206	LAMP/FRONT/RH/C ASSY	89		1
HOUSING/CLUTCH	11	INSULATOR/TANK	6	LABEL/FUSE/11	111	LAMP/HEAD/G ASSY	88		8
HOUSING/CLUTCH ASSY	10	JOINT BALL W/BRH	45	LABEL/FUSE/11	108	LAMP/HEAD/G ASSY	88		8
HST	22	JOINT BALL W/BRH	45	LABEL/FUSE/11	108	LAMP/NUMBERPLAT ASSY	89		44
HUB/BRAKE/LH	26	KEY ASSY	116	LABEL/SPEED/AST	107	LAMP/COMBL/REAR/LH	89		15
HUB/BRAKE/RR	26	KEY ASSY	101	LABEL/SPEED/STD	108	LAMP/COMBL/REAR/RH	89		29
HUB/09X14X20	24	KNOB	77	LABEL/START	108	LAMP/COMBL/REAR/RH	82		8
HUB/20X30X62	24	LABEL/C/BATTERY	108	LABEL/SWITCH/F	106	LAMP/COMBL/REAR/RH	83		9
HUB/25X40X40	25		109		111	LEVER/SBRCON	82		5
HUB/30X46X15	24		110		110	LEVER	83		2
INSULATOR	1		110		111	LEVER	101		16
	2	LABEL/C/DRIVE/D	111		107	LEVER	8		5
	2	LABEL/C/DRIVE/D	110		107	LEVER/BAR/14	9		1
	6	LABEL/C/DRIVE/F	109		106	LEVER/BAR/14	COMH		3
	7	LABEL/C/DRIVE/G	108		109	LEVER/BAR/14	COMH		3
	7	LABEL/C/DRIVE/P	111		110	LEVER/BAR/14	COMH		3
	18	LABEL/C/DRIVE/P	111		111	LEVER/BAR/14	COMH		3





DESCRIPTION	REF. NO	DESCRIPTION	REF. NO	DESCRIPTION	REF. NO	DESCRIPTION	REF. NO
O-RING/P12	117	ORNAMENT/ISERKI	166	PIN	115	PIN,SPLIT/2 X20	18
O-RING/P14	29	ORNAMENT/SIDE/LH	104	PIN	116		10
	30	ORNAMENT/SIDE/LH	105	PIN	116		14
	33	ORNAMENT/SIDE/RH	104	PIN	116		19
	39	ORNAMENT/SIDE/RH	105	PIN	116		14
	76	ORNAMENT/STEERING	104	PIN	116		29
	76	ORNAMENT/STEERING	105	ASSY COMP	103		30
	79	PACKING	1	PIN	85		13
	81	PACKING	2	PIN ASSY	86		41
	84	PACKING	2	PIN STRAIGHT,A	15		6
	84	PACKING	64	PIN/ANOCK	38		44
	84	PACKING	82	PIN/ANOCK	7		44
	115	PACKING	68	PIN/ANOCK	21		24
	115	PACKING	70	PIN/ANOCK	12		16
	115	PACKING	70	PIN/LOCK	18		20
	115	PACKING	70	PIN/LOCK	12		20
	115	PACKING	70	PIN/LOCK	12		20
O-RING/P18	117	PACKING/RUBBER	114	PIN/SHIFT/DIFFROCK	54		79
	48	PACKING/OIL PUMP	6	PIN/SPRING	34		30
	48	PACKING/OIL PUMP	64	PIN/SUPPORT COMP	80		5
	48	PACKING/OIL PUMP	65	PIN/SUPPORT	26		8
	48	PACKING/OIL PUMP	65	PIN/TAPER/06X45	29	PIN,SPLIT/2 X25	61
	54	PACKING/OIL PUMP	84	PIN/TAPER/06X45	30	PIN,SPLIT/2.5X15	4
	55	PACKING/SIDE COVER	84	PIN/05X23	78		89
	62	PAD	13	PIN/05X23	22		115
	64	PAD	2	PIN/06X31	82	PIN,SPLIT/2.5X20	4
	64	PAD	2	PIN/06X31	83	PIN,SPLIT/2.5X25	11
	65	PAD	19	PIN/08X19	47		9
	65	PAD	25	PIN/08X19	2		7
	70	PAD	4	PIN/08X25	37	PIN,SPLIT/3 X20	44
	70	PAD	9	PIN/08X25	4		13
O-RING/P20	116	PANEL/BACK COMP	82	PIN/08X25	54		42
	48	PANEL/BACK COMP	82	PIN/08X37	15		15
	64	PANEL/CENTER	87	PIN/12X15	68	PIN,SPLIT/3X30	85
	64	PANEL/CENTER	97	PIN/12X15	13	PIN,SPRING/5 X20 W	80
	64	PANEL/CENTER	96	PIN/15X73	85	PIN,SPRING/5 X25 W	14
	65	PANEL/FLOOR/LH COMP	96	PIN/15X73	85	PIN,SPRING/6 X32 W	22
	65	PANEL/FLOOR/LH COMP	96	PIN/15X94	21		7
	65	PANEL/FLOOR/LH COMP	97	PIN/15X94	103		3
	76	PANEL/FLOOR/RH COMP	96	PIN/20X61	34		41
	77	PANEL/FLOOR/RH COMP	96	PIN/22X82	8		44
	84	PANEL/INSTRUMEN ASSY	100	PIN/22X82	78	PIN,ST/ 8X14	51
	84	PANEL/REAR COMP	86	PIN,ANOCK	15	PIN,ST/10X22	9
	84	PANEL/REAR COMP	86	PIN,ANOCK	16		12
	84	PANEL/REAR COMP	86	PIN,ANOCK	18		10
	84	PANEL/REAR COMP	86	PIN,ANOCK	28		6
O-RING/P22	64	PANEL/SEAT COMP	97	PIN,LINK	8		14
	65	PANEL/SEAT COMP	95	PIN,LINK	14		9
	65	PANEL/SEAT COMP	95	PIN,LINK	5		14
	84	PEDAL/BRAKE/LH COMP	87	PIN,LINK	20		6
	84	PEDAL/BRAKE/LH COMP	87	PIN,LINK	17		6
O-RING/P24	48	PEDAL/BRAKE/RH COMP	56	PIN,ROD COMP	103		21
O-RING/P26	48	PEDAL/BRAKE/RH COMP	56	PIN,ROD COMP	78		6
O-RING/P34	68	PEDAL/CLUTCH COMP	18	PIN,SNAP/6	82		22
	68	PEDAL/CLUTCH COMP	18	PIN,SNAP/6	11		13
	68	PEDAL/CLUTCH COMP	18	PIN,SNAP/6	13		23
O-RING/P33	70	PEDAL/HST SET	46	PIN,SP W 6.0X30	42		6
	70	PEDAL/HST SET	46	PIN,SP W 6.0X30	12		28
O-RING/P44	5	PEDAL/AST/REVERSE	18	PIN,SP W 6.0X30	57		50
	5	PEDAL/AST/REVERSE	18	PIN,SP W 6.0X30	57		50
	22	PIN	18	PIN,SPLIT/2 X15	86		9
	22	PIN	19	PIN,SPLIT/2 X15	11		4
	86	PIN	80	PIN,SPLIT/2 X20	89		11
	86	PIN	80	PIN,SPLIT/2 X20	11		4
ORNAMENT	102	ORNAMENT/ISERKI	115	PIN,SPLIT/2 X20	8		4
ORNAMENT/ISERKI	104	ORNAMENT/ISERKI	115	PIN,SPLIT/2 X20	8		4
	104	ORNAMENT/ISERKI	115	PIN,ST/10X40	9		11
	104	ORNAMENT/ISERKI	115	PIN,ST/10X40	11		11

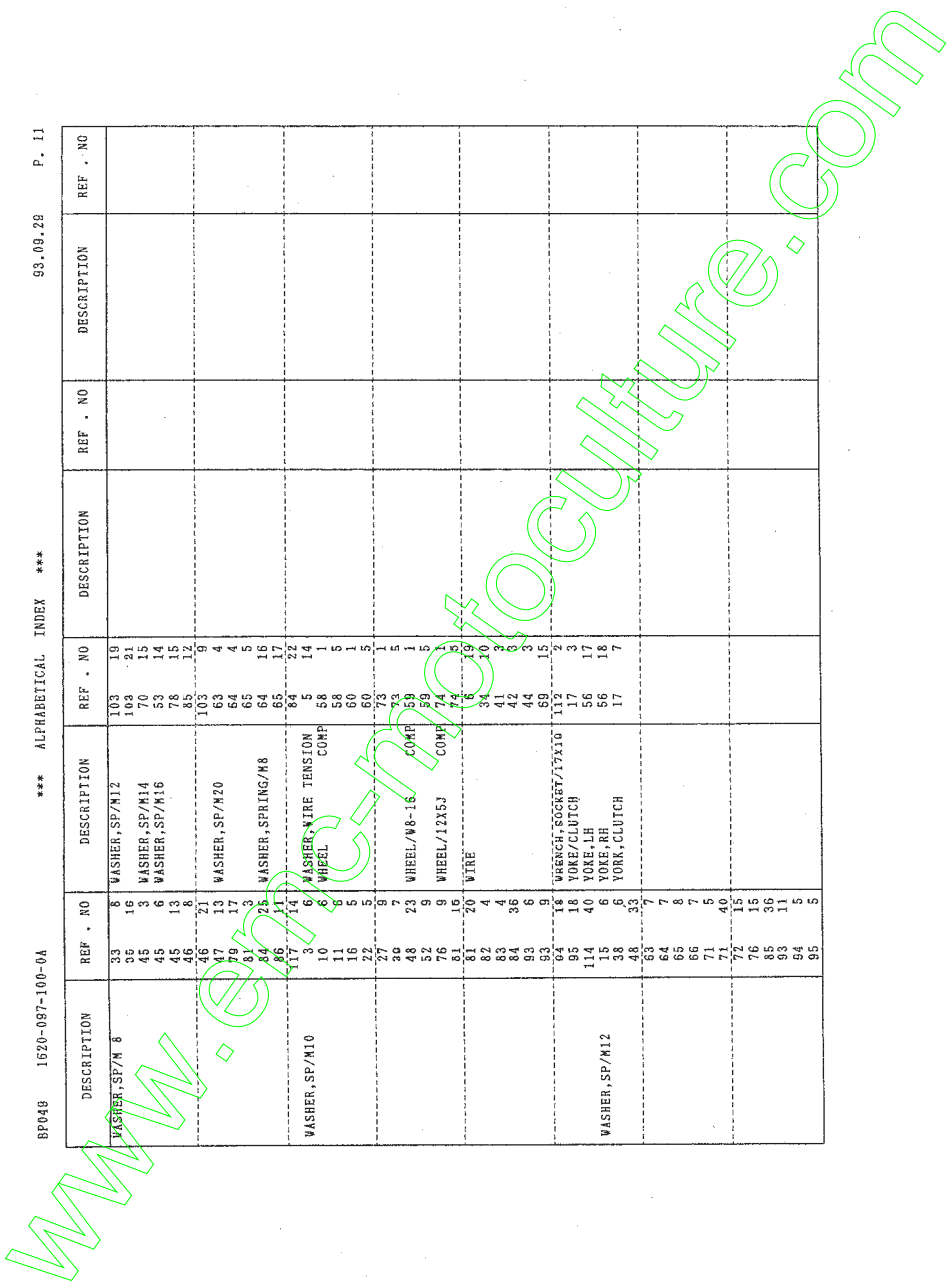


DESCRIPTION	REF. NO	DESCRIPTION	REF. NO	DESCRIPTION	REF. NO	DESCRIPTION	REF. NO	DESCRIPTION	REF. NO
PIPE/TAPER/25X50	56	PLATE/I/18X50	35	PLUG, DRAIN	14	RING, SNAP	20	RING, SNAP	71
PIPE/WAVE 1	57	PLATE/I/19X87	12		11		65		21
PINION/BEVEL/11	57	PLATE/I/22X104	38		2		84		37
PIPE/BOOSK	69	PLATE/I/22X104	79	PLUG, DRAIN (L/4)	34		10		9
PIPE/CLEANER/INLET	48	PLATE/I/30X50	39		26		11		11
PIPE/CLEANER/OUTLET	47	PLATE/I/65X78	77		7		52		4
PIPE/DELIVERY COMP	84	PLATE/I/13X70	101	POPPET	36		48		13
PIPE/FRONT COMP	84	PLATE/I/25X80	44		20		114		17
PIPE/OIL COMP	84	PLATE/LOCK/LH COMP	89		7		115		43
	84	PLATE/LOCK/RH COMP	113	PORT BLOCK	3		116		22
	84	PLATE/PRESSURE	115	PUMP	4		66		6
	66	PLATE/PRESSURE/LH	55		4		65		6
	65	PLATE/PRESSURE/RH	55	PUMP/FUEL ASSY	5		5		12
PIPE/RETURN COMP	65	PLATE/SERVANTE	55	PUMP, GEAR ASSY	84		15		15
PIPE/SUCTION COMP	48	PLATE/SOCKET COMP	92	PUMP, GEAR ASSY	8		64		8
	48	PLATE/STOP COMP	91		6		84		14
	48	PLATE/SWASH	92	RADIATOR	5		1		1
PIPE/TANK COMP	84	PLATE/TANK	146	REFLECTOR	23		2		1
PIPE/BREATHER	10	PLATE/THRUST	186	RELAY/4P	28		89		20
	11	PLATE/VV/VE	116	RESISTANCE/L,0	2		102		17
	11	PLATE/7/18X108	116	RING/BACKUP	8		176		21
PISTON	14	PLUGS/G150	112	RING/BACKUP	3		116		9
PIVOT/TRUNNION COMP	15	PLUG	1		22		72		3
PLATE	37		35	RING/BOOT	11		22		7
	57		79	RING, SNAP/21 C	10		22		10
	62		113	RING, SNAP/22 C	8		22		10
	66		113	RING, SNAP/23 C	15		22		10
	81		116	RING, SNAP/24 C	23		22		10
	87		116	RING, SNAP/25 C	42		67		3
	90		116	RING, SNAP/26 C	49		68		5
	116		116	RING, SNAP/27 C	53		78		2
	117		117	RING, SNAP/28 C	18		116		4
PLATE	45	PLUG/M14	176	RING, SNAP/29 C	18		116		4
PLATE/BATTERY	78	PLUG/PTI/8	39	RING, SNAP/30 C	9		35		2
PLATE/BUMPER	7	PLUG/SCREW SEAL	71	RING, SNAP/31 C	20		35		3
PLATE/PLISA	66		71	RING, SNAP/32 C	25		35		3
	66		82	RING, SNAP/33 C	17		38		13
	33		93	RING, SNAP/34 C	6		51		6
PLATE/I 25X60	33	PLUG/SEAL	117	RING, SNAP/35 C	26		51		6
PLATE/I/18X190	42	PLUG/SEAL/25	15	RING, SNAP/36 C	3		52		3
	44	PLUG/SEAL/40	35	RING, SNAP/37 C	8		53		10
	44	PLUG/22	79	RING, SNAP/38 C	19		69		18
	44	PLUG/TP	102	RING, SNAP/39 C	9		69		19
	44			RING, SNAP/40 C	33		71		9
	44			RING, SNAP/41 C	7		71		9
	44			RING, SNAP/42 C	7		71		9

DESCRIPTION	REF. NO	DESCRIPTION	REF. NO	DESCRIPTION	REF. NO	DESCRIPTION	REF. NO
RING SNAP/52 C	71	SEAL/OIL/48	53	SOCKET	100		15
RAYET/BLIND/4X7.5	116	SHAFT	24	SPANNER/ 8X10	112		5
ROB	86	SCREWDRIVER ASSY	39	SPANNER/12X14	112		6
	57	SEAL	67	SPANNER/13X17	112		7
	56		71	SPANNER/20X22	112		8
ROD/CLUTCH	12		71	SPANNER/30X27	112		9
ROD/FORK	19		71	SPANNING BODY/22	112		10
ROD/FORK/LH	85		71	SPRING	157		22
ROD/M08065	45		116	SPRING	157		3
ROD/M08070	80		116	SPRING	79		6
ROD/RELEASE	115	SHAFT/BACK	27	SPRING	79		7
ROD/SIB	29	SHAFT/DRIVE/PTO	24	SPRING	85		6
	30	SHAFT/FRONT	31	SPRING	115		9
ROD/TIE	72	SHAFT/MID	32	SPRING	116		35
ROD/TIE	72	SHAFT/PTO	32	SPRING	116		44
ROD/OBK110	57	SHAFT/PTO/MID	39	SPRING PIN (W)	117		20
ROD/CLUTCH A. COMP.	18	SHAFT/SCREW ASSY	113	SPRING	117		24
RUBBER, CUSHION	19	SHAFT/SECTOR	113	SPRING/A	103		12
	15	SHAFT/SECTOR ASSY	113	SPRING/HCO15	117		12
	16	SHAFT/SECTOR ASSY	117	SPRING/HCO1	118		15
	99	SHAFT/SUBRETURN	62	SPRING/HCO43	127		5
	88	SHAFT/STEERING COMP	61	SPRING/HCO60	55		5
SCREEN	100	SHAFT/STEERING COMP	62	SPRING/HCO23	55		10
	102	SEAL/DUST	76	SPRING/HCO66	46		13
	113	SEAL/OIL	76	SPRING/HCO66	56		11
SCREW/LH	85	SHAFT/WHEEL	53	SPRING/HE110	79		13
SCREW/M05K30	87	SHAFT/DIFF. PINION	71	SPRING/HE90	18		11
SCREW/M05K12	99	SHAFT/LEFT	51	SPRING/HE90	19		11
SCREW/M05K10	116	SHAFT/RIGHT	78	SPRING/HO43	54		9
SCREW/M05K30	102	SHIM (C)	69	SPRING/WASHER	81		8
SCREW/M05K20	88	SHIM D (E=3)	51	SPRING/WASHER	56		16
SCREW/M05K40	77	SHIM/O.1	51	SPRING/CLUTCH RETURN	114		12
SCREW/RH	106	SHIM/O.2	58	SPRING/COIL	114		18
	8	SHIM/O7X1X01	46	SPRING/COIL	114		18
	5	SHIM/ADJ.SCREW SET	48	SPRING/COIL	114		18
SCREW/S	100	SHIPPINGPLUG	116	SPRING/PRESS/22	87		10
SCREW/SOCKET	117	SHROOD	39	SPRING/PRESS/26	29		2
	116	SLEEVE	2	SPRING/PRESS/26	29		2
SCREW/SP	100	SLEEVE	39	SPRING/SHIFTER	30		3
SCREW/TAPPING	100	SLEEVE 35X40X17	117	SPRING/SHIFTER	30		3
SCREW/4X16	100	SLEEVE	117	SPRING/SHIFTER	33		4
SCREW/ADJUST	114	SLEEVE/DETENT	117	SPRING/TENSION	39		17
SCREW-PLUS/44X8	101	SLEEVE/RELEASE	10	SPRING/TENSION	39		9
SCREW-PLUS/45X0.8X8	101	SLIPPER, BRAKE B	11	SPRING/TENSION/33	17		2
SCREW-SEMS.	91	SOCKET	100	SOCKET	17		6

DESCRIPTION	REF. NO	DESCRIPTION	REF. NO	DESCRIPTION	REF. NO	DESCRIPTION	REF. NO
SPRING, VALVE	5	TOOL, FUSE	102	WASHER / M6	7	WASHER, PL/M 5	99
STAY/BAF	86	TUBE	67	WASHER / M6	103	WASHER, PL/M 5	101
STAY/INSULATOR	88	COMP	68	WASHER / M6	103	WASHER, PL/M 5	101
STAY/PIPE	82	TUBE/ 6-12	74	WASHER / M6	103	WASHER, PL/M 5	101
STAY/PLATE	89	TUBE/ 8-16	75	WASHER / M6	103	WASHER, PL/M 5	101
STAY/PLATE/CH	89	TUBE/ 8-16	75	WASHER / M6	103	WASHER, PL/M 5	101
STAY/PLATE/RH	89	TUBE/ 8-16	75	WASHER / M6	103	WASHER, PL/M 5	101
STAY/SHIFT/MAIN	37	TUBE/4X130	47	WASHER / M12	48	WASHER, PL/M 8	2
STAY/SHIFT/PTO	30	TUBE/4X1780	40	WASHER / M10	48	WASHER, PL/M 8	2
STAY/SHIFT/SUB	30	TUBE/4X1780	40	WASHER / M10	48	WASHER, PL/M 8	2
STAY/MIRROR	98	TUBE/300	67	WASHER / M10	48	WASHER, PL/M 8	2
STEERING CAP	61	COMP	66	WASHER / M10	48	WASHER, PL/M 8	2
STEERING WHEEL ASSY	61	TUBE/300-12	73	WASHER / M10	48	WASHER, PL/M 8	2
STEERING/MANUAL ASSY	63	TUBE/300-12	73	WASHER / M10	48	WASHER, PL/M 8	2
STEERING/POWER ASSY	64	TURNBUCKLE/A	85	WASHER / M10	48	WASHER, PL/M 8	2
STEERING/POWER ASSY	65	TURNBUCKLE/M8	18	WASHER / M10	48	WASHER, PL/M 8	2
STEERING/POWER SET	65	TURNBUCKLE COMP	19	WASHER / M10	48	WASHER, PL/M 8	2
STOPPER/Spring/A	103	VALVE	76	WASHER / M20	116	WASHER, PL/M 8	2
STOPPER/SPRING/B	117	VALVE	76	WASHER / M20	116	WASHER, PL/M 8	2
STUD/M12	103	VALVE	76	WASHER / M20	116	WASHER, PL/M 8	2
STUD/M12X28	71	VALVE	76	WASHER / M20	116	WASHER, PL/M 8	2
STUD/M14X35	70	VALVE	76	WASHER / M20	116	WASHER, PL/M 8	2
SWITCH	101	VALVE	76	WASHER / M20	116	WASHER, PL/M 8	2
SWITCH ASSY	101	VALVE	76	WASHER / M20	116	WASHER, PL/M 8	2
SWITCH/PUSH	101	VALVE/CONTROL	82	WASHER / M20	116	WASHER, PL/M 8	2
SWITCH/PUSH SET	101	VALVE/CONTROL	82	WASHER / M20	116	WASHER, PL/M 8	2
SWITCH/HAZARD ASSY	101	VALVE/LAMP/12V/1.7M	100	WASHER / M20	116	WASHER, PL/M 8	2
SWITCH/LAMP ASSY	101	VALVE/RELIEF	84	WASHER / M20	116	WASHER, PL/M 8	2
SWITCH/LIMIT ASSY	101	VALVE/S7A	84	WASHER / M20	116	WASHER, PL/M 8	2
SWITCH, STARTER ASSY	101	VALVE/S7A	84	WASHER / M20	116	WASHER, PL/M 8	2
SWITCH, STARTER SET	101	VALVE/S7A	84	WASHER / M20	116	WASHER, PL/M 8	2
SWITCH, STOP	101	WASHER	9	WASHER / M20	116	WASHER, PL/M 8	2
TANK/FUEL	6	WASHER	9	WASHER / M20	116	WASHER, PL/M 8	2
TANK/OIL	6	WASHER	9	WASHER / M20	116	WASHER, PL/M 8	2
TIRE	59	WASHER	9	WASHER / M20	116	WASHER, PL/M 8	2
TIRE/24X8.50-12-4	58	WASHER	9	WASHER / M20	116	WASHER, PL/M 8	2
TIRE/AP 500-12	73	WASHER	9	WASHER / M20	116	WASHER, PL/M 8	2
TIRE/9.5-16-4	59	WASHER	9	WASHER / M20	116	WASHER, PL/M 8	2
TIRE, FRONT 6-12-AP	74	WASHER / M16	78	WASHER, PL/M 4	86	WASHER, SP/M 6	7
TIRE, 315/750-15-4	60	WASHER / M16	78	WASHER, PL/M 4	86	WASHER, SP/M 6	7
	60	WASHER / M16	78	WASHER, PL/M 4	86	WASHER, SP/M 6	7

DESCRIPTION	REF . NO	DESCRIPTION	REF . NO	DESCRIPTION	REF . NO	DESCRIPTION	REF . NO
WASHER,SP/M 8	33	WASHER,SP/M12	103				
	35		103				
	45	WASHER,SP/M14	70				
	45	WASHER,SP/M16	53				
	45		78				
	46		85				
	46		103				
	47	WASHER,SP/M20	63				
	49		64				
	51	WASHER,SPRING/M8	63				
	54		65				
	54		65				
	57		64				
WASHER,SP/M10	3	WASHER,WIRE TENSION	5				
	10	WHEEL	58				
	11	WHEEL	58				
	16		60				
	22		60				
	27		73				
	30		73				
	48	WHEEL/M8-16	59				
	52		59				
	76	WHEEL/12X5J	74				
	81		74				
	81	WIRE	34				
	82		34				
	84		41				
	84		42				
	89		44				
	89		44				
	89		89				
	89	WRENCH,SOCKET/17X10	112				
	95	YOKE/CLUTCH	17				
	114	YOKE,LH	56				
WASHER,SP/M12	15	YOKE,RH	56				
	38	YOKE,CLUTCH	17				
	48		17				
	63		33				
	64		7				
	65		8				
	66		7				
	71		5				
	71		5				
	72		5				
	76		15				
	85		36				
	89		11				
	94		5				
	95		5				









**Yvan Béal - 21, av. de l'Agriculture - B.P.16  
Z.I. du Brézet - 63014 Clermont-Ferrand Cedex 2  
Tél : 04 73 91 93 51 - Télécopie : 04 73 90 23 11  
[www.yvanbeal.fr](http://www.yvanbeal.fr) - E-mail : [info@yvanbeal.fr](mailto:info@yvanbeal.fr)  
R.C.S. Clermont-Fd B 304 973 886 - S.A.S. au capital de 612 000 €**