

W53 CSB W53 CS

Spare parts
Ersatzteile
Pièces détachées
Reserve onderdelen
Repuestos
Reservdelar

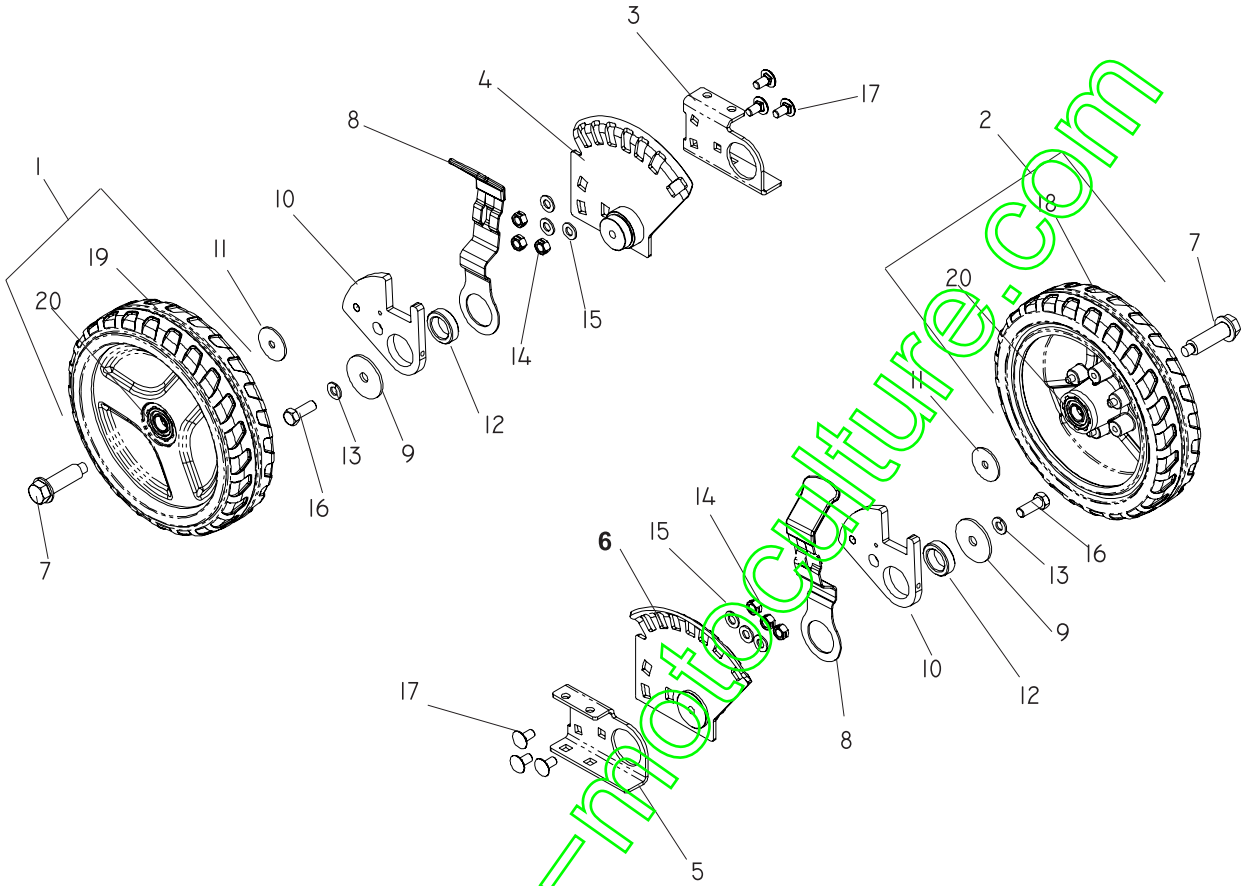
www.emc-motoculture.com

CHASSIS / FRAME

ITEM	PART NO.	QTY.	DESCRIPTION
1.	539 101313	2	HCS, 1/4-20 x 2
2.	539 108147	1	NUT, 1/4-20, KRLD, SPEC
3.	539 113049	1	DECK W/DECALS
4.	539 111521	1	TOP SADDLE
5.	539 111530	1	DECK BRACKET
6.	539 111536	1	BELT SHIELD
7.	539 111538	1	FLAP ROD
8.	539 111540	1	DISCHARGE FLAP
9.	539 111863	1	ENGINE GUARD
10.	539 111868	1	HINGE ROD
11.	539 111964	1	CHUTE BOTTOM
12.	539 111977	4	RHSNB, 5/16C x 3/4
13.	539 111995	1	SPRING, TORSION
14.	539 112047	1	HANDLE BRACE, RIGHT
15.	539 112111	1	HANDLE BRACE, LEFT
16.	539 112293	1	GRASS BAG, MODELS: 968999283, 968999284, 968999286, 968999638, 968999639, 968999640
	539 112948	1	GRASS BAG, MODELS: 968999287, 968999289
17.	539 112793	2	SCREW, 1/4-14 x 1/2, THREAD FORM
18.	539 112913	1	REAR FLAP
19.	539 113545	1	BAG FRAME
20.	539 976978	8	NUT, 1/4-20, NYLOC
21.	539 990037	4	PIN COTTER, 3/32 x 3/4
22.	539 990052	1	WASHER, 1/4, MODELS
23.	539 990206	1	HCS, 5/16-18 x 3/4
24.	539 990209	3	HCS, 5/16-18 x 1
25.	539 990548	3	HCS, 1/4-20 x 1
26.	539 990553	4	HCS, 5/16-18 x 3
27.	539 990580	2	HCS, 1/4-20 x 3/4
28.	539 990598	1	WASHER, 1/4
29.	539 990639	2	HCS, 1/4-20 x 1 1/2
30.	539 990717	12	NUT, 5/16-18, NYLOC

WHEELS & TIRES

FRONT WHEELS



WHEELS & TIRES

FRONT WHEELS

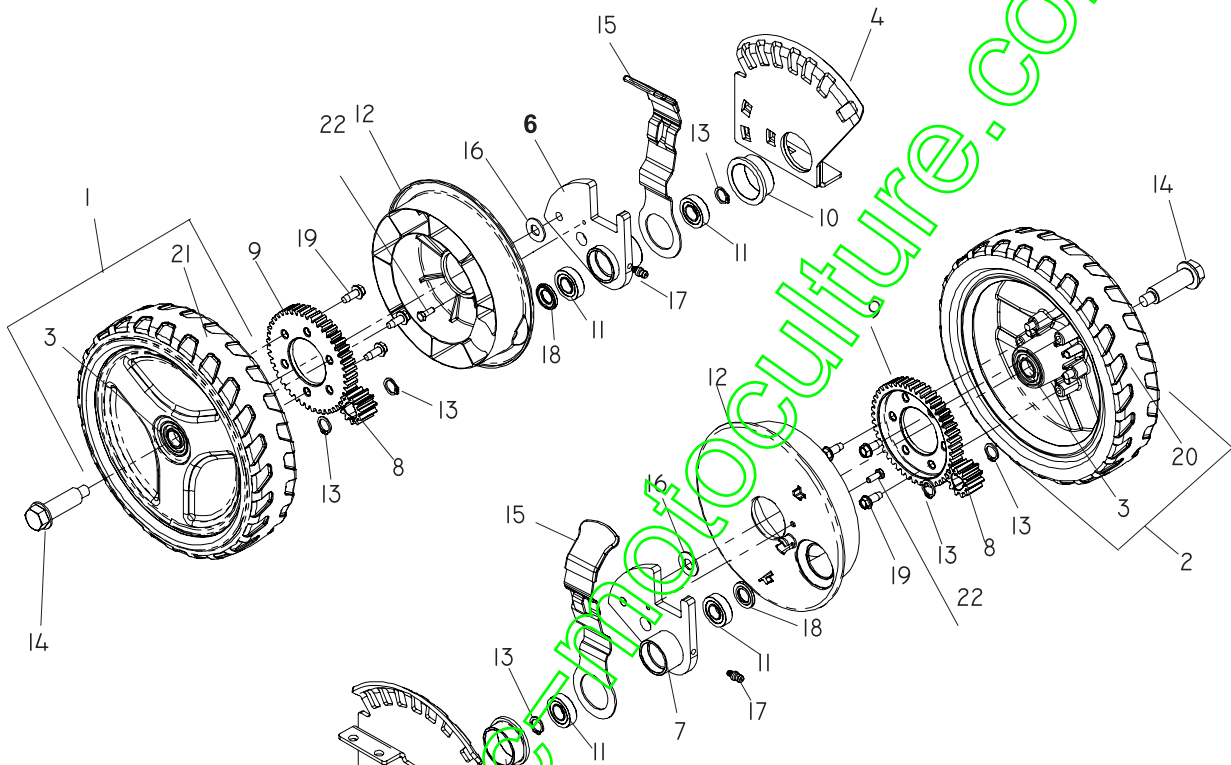
ITEM	PART NO.	QTY.	DESCRIPTION
1.	539 111503.....	1	WHEEL, LEFT
2.	539 111972.....	1	WHEEL, RIGHT
3.	539 111886.....	1	FRONT DECK PLATE, LEFT
4.	539 111888.....	1	FRONT PLATE, LEFT
5.	539 111887.....	1	FRONT DECK PLATE, RIGHT
6.	539 111889.....	1	FRONT PLATE, RIGHT
7.	539 111873.....	2	SHOULDER BOLT
8.	539 111894.....	2	LEVER
9.	539 106504.....	2	WASHER
10.	539 111955.....	2	WHEEL PLATE, FRONT
11.	539 112789.....	2	AXLE WASHER
12.	539 110267.....	2	BUSHING
13.	539 990118.....	2	WASHER, $\frac{3}{8}$
14.	539 990184.....	6	NUT, $\frac{5}{16}$ -18, CENTER LOCK
15.	539 990188.....	6	WASHER, $\frac{5}{16}$, SAE
16.	539 976941.....	2	HCS, $\frac{3}{8}$ -16 x $1\frac{1}{4}$
17.	539 990799.....	6	RHSNB, $\frac{5}{16}$ -18 x $\frac{5}{8}$
18.	539 111971.....	1	TIRE, 9", RIGHT
19.	539 111502.....	1	TIRE, 9", LEFT
20.	539 111504.....	2	BEARING, WHEEL

www.emc-motoculture.com

WHEELS & TIRES

REAR WHEELS

MODELS: 968999287,968999289,



www.enemotoculture.com

WHEELS & TIRES

REAR WHEELS

MODELS: 968999287,968999289,

ITEM	PART NO.	QTY.	DESCRIPTION
1.	539 111503.....	1 WHEEL, LEFT
2.	539 111972.....	1 WHEEL, RIGHT
3.	539 111504.....	2 BEARING, WHEEL
4.	539 111513.....	1 WHEEL MOUNT, LEFT
5.	539 111875.....	1 WHEEL MOUNT, RIGHT
6.	539 111519.....	1 OUTER WHEEL, LEFT
7.	539 111867.....	1 OUTER WHEEL, RIGHT
8.	539 111509.....	2 PINION GEAR, 11 TOOTH
9.	539 111511.....	2 DRIVEN GEAR, 45 TOOTH
10.	539 111516.....	2 BUSHING
11.	539 111517.....	4 BEARING, TRANSMISSION SHAFT
12.	539 111547.....	2 DEBRIS GUARD
13.	539 111872.....	6 RETAINING RING, 1/2, EXT
14.	539 111873.....	2 SHOULDER BOLT
15.	539 111950.....	2 LEVER
16.	539 112789.....	2 AXLE WASHER
17.	539 115638.....	2 ZERK, 3/16, DRIVE IN
18.	539 113138.....	2 WASHER, SPACER
19.	539 990362.....	6 SCREW, 1/4-20 x 5/8, SELF TAP
20.	539 111971.....	1 TIRE, 9", RIGHT
21.	539 111502.....	1 TIRE, 9", LEFT
22.	539 990411.....	2 SCREW, #10-24 x 1/2 SLT HEX HD ZD

HANDLE & CONTROLS

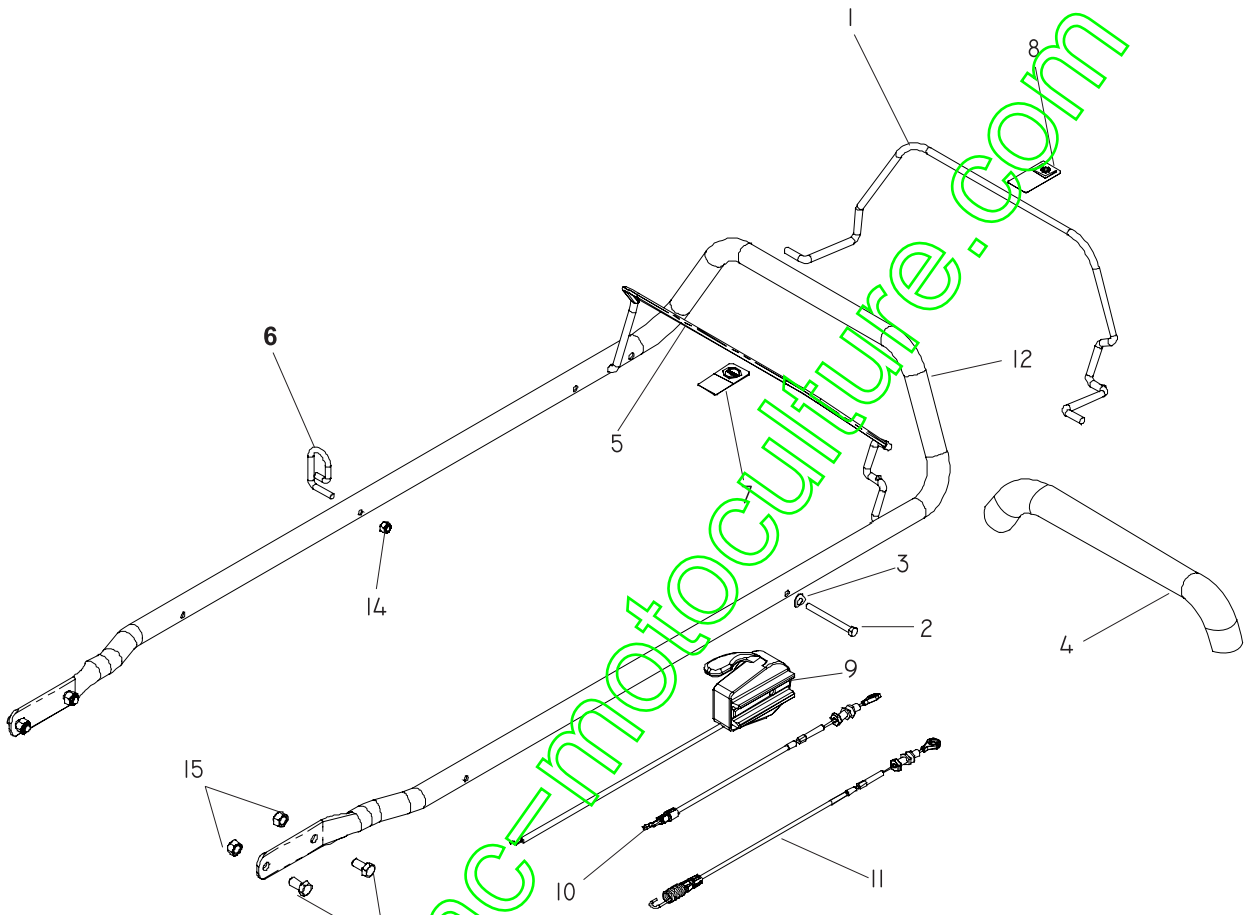
BLADE, BRAKE, CLUTCH (BBC)
MODELS: 968999287

ITEM	PART NO.	QTY.	DESCRIPTION
1.	539 111993	1	BAIL, GROUND DRIVE
2.	539 112276	1	HCS, M6-1.0 x 70, GR8.8
3.	539 112277	1	HCS, M6-1.0 x 50, GR8.8
4.	539 110488	2	WASHER, $\frac{5}{16}$, WAVE
5.	539 122635	1	GRIP, HANDLE
6.	539 112907	1	BAIL
7.	539 112922	1	ROPE GUIDE
8.	539 113067	1	DECAL, STOP SIGN
9.	539 113068	1	DECAL, PTO
10.	539 113110	1	CABLE, GROUND DRIVE
11.	539 113113	1	THROTTLE CABLE, BBC
12.	539 113114	1	BBC CONTROL
13.	539 113117	1	HANDLE
14.	539 990134	4	HCS $\frac{3}{8}$ -16 x $\frac{3}{4}$
15.	539 976978	1	NUT, $\frac{1}{4}$ -20, NYLOC
16.	539 976979	4	NUT, $\frac{3}{8}$ -16, NYLOC
NOT SHOWN			
	539 976856	7	TIE, PLASTIC

www.emc-motorsports.com

HANDLE & CONTROLS

SELF PROPELLED
MODELS: 968999289



HANDLE & CONTROLS

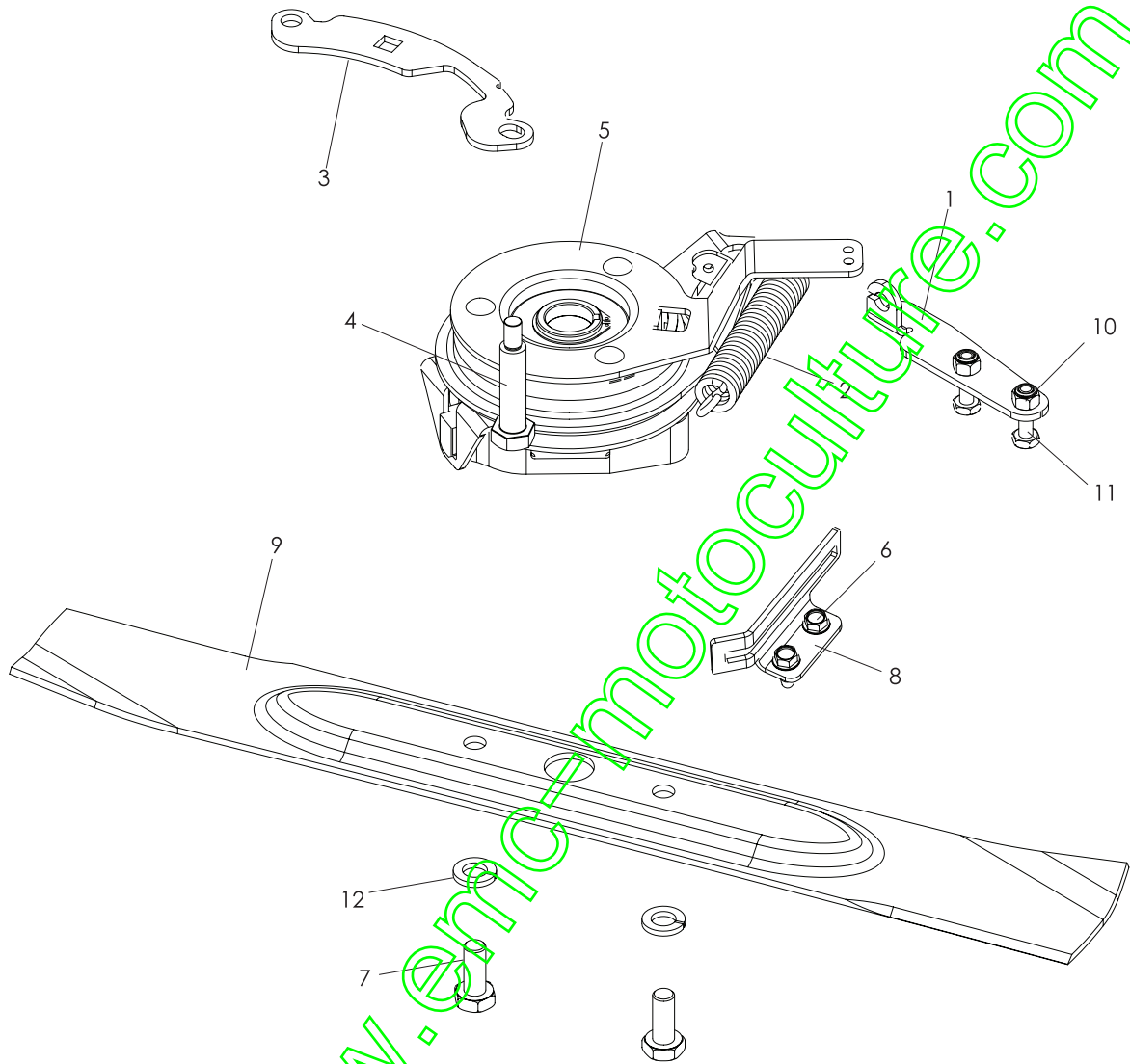
SELF PROPELLED
MODELS: 968999289

ITEM	PART NO.	QTY.	DESCRIPTION
1.	539 111993	1	BAIL, GROUND DRIVE
2.	539 112276	1	HCS, M6-1.0 x 70, GR8.8
3.	539 110488	1	WASHER, $\frac{5}{16}$, WAVE
4.	539 122635	1	GRIP, HANDLE
5.	539 112908	1	BAIL
6.	539 112922	1	ROPE GUIDE
7.	539 113067	1	DECAL, STOP SIGN
8.	539 113068	1	DECAL, PTO
9.	539 113108	1	THROTTLE CABLE
10.	539 113109	1	ZONE CABLE
11.	539 113110	1	CABLE, GROUND DRIVE
12.	539 113117	1	HANDLE
13.	539 990134	4	HCS, $\frac{3}{8}$ -16 x $\frac{3}{4}$
14.	539 976978	1	NUT, $\frac{1}{4}$ -20, NYLOC
15.	539 976979	4	NUT, $\frac{3}{8}$ -16, NYLOC
NOT SHOWN			
	539 976856	5	TIE, PLASTIC

www.emc-motoculture.com

CUTTING EQUIPMENT

BLADE, BRAKE, CLUTCH (BBC CE)
MODEL 968999287



CUTTING EQUIPMENT

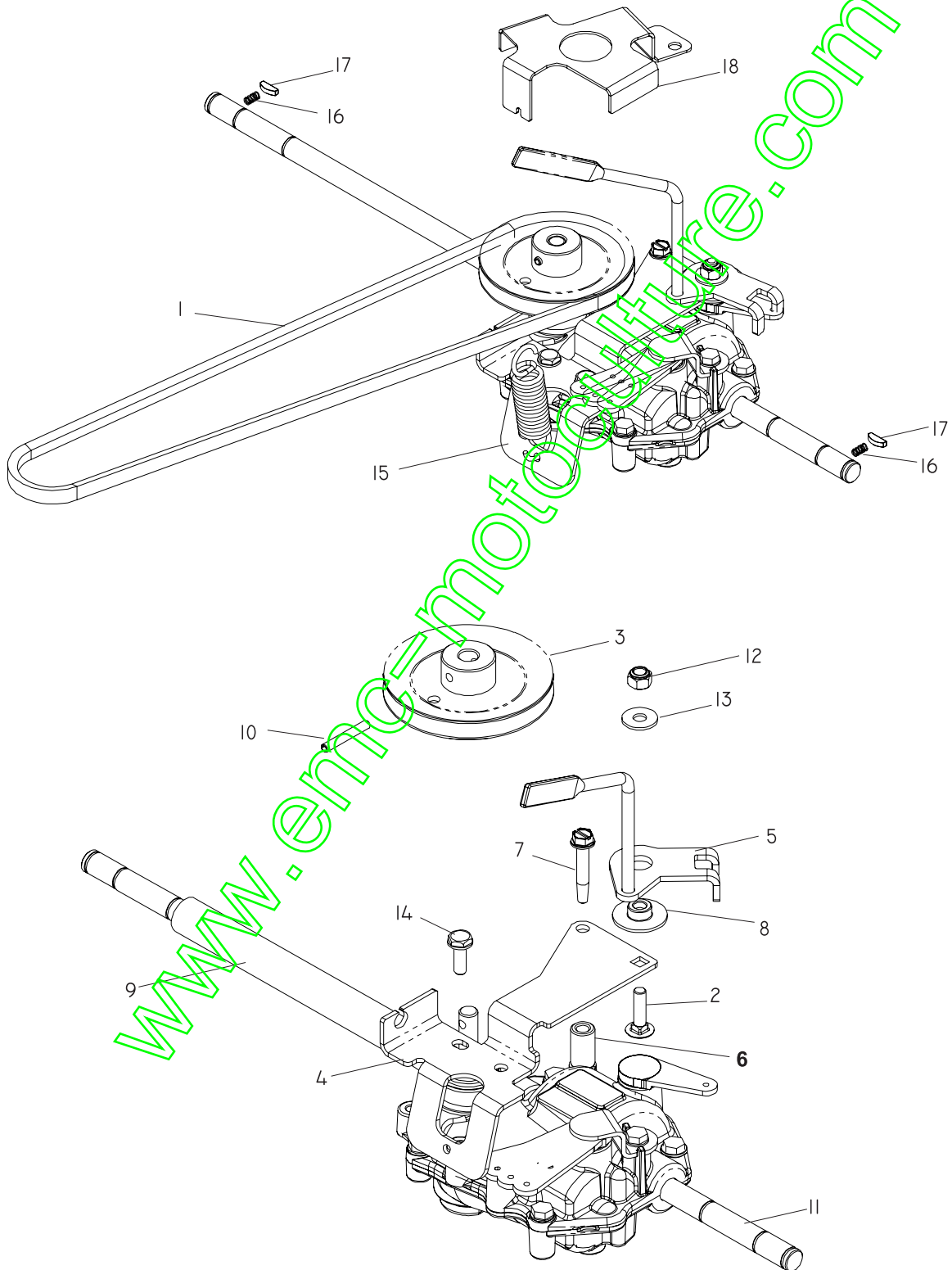
ITEM	PART NO.	QTY.	DESCRIPTION
1..	539 1115431	BRACKET, CABLE
2..	539 1115481	SPRING, CLUTCH
3..	539 1115491	CLUTCH BRACKET
4..	539 1119601	SHOULDER BOLT, ANCHOR
5..	539 1312761	BBC CLUTCH
6..	539 9903622	SCREW 1/4-20 x 5/8, SLF TAP
7..	539 1119972	HCS M10-1.5 x 25 MM, GR 8

ITEM	PART NO.	QTY.	DESCRIPTION
8..	539 1133911	DECK GUARD, BBC
9..	539 1307381	BLADE, W21, BBC
	539 1308111	BLADE W21 BBC MODEL 968999287
10..	539 9769782	NUT 1/4-20 HEX NYLOC
11..	539 9777612	HCS 1/4-20 x 1
12..	539 9902472	LOCKWASHER 7/16

www.emc-motoculture.com

TRANSMISSION

SELF PROPELLED
MODELS: 968999287, 968999289



TRANSMISSION

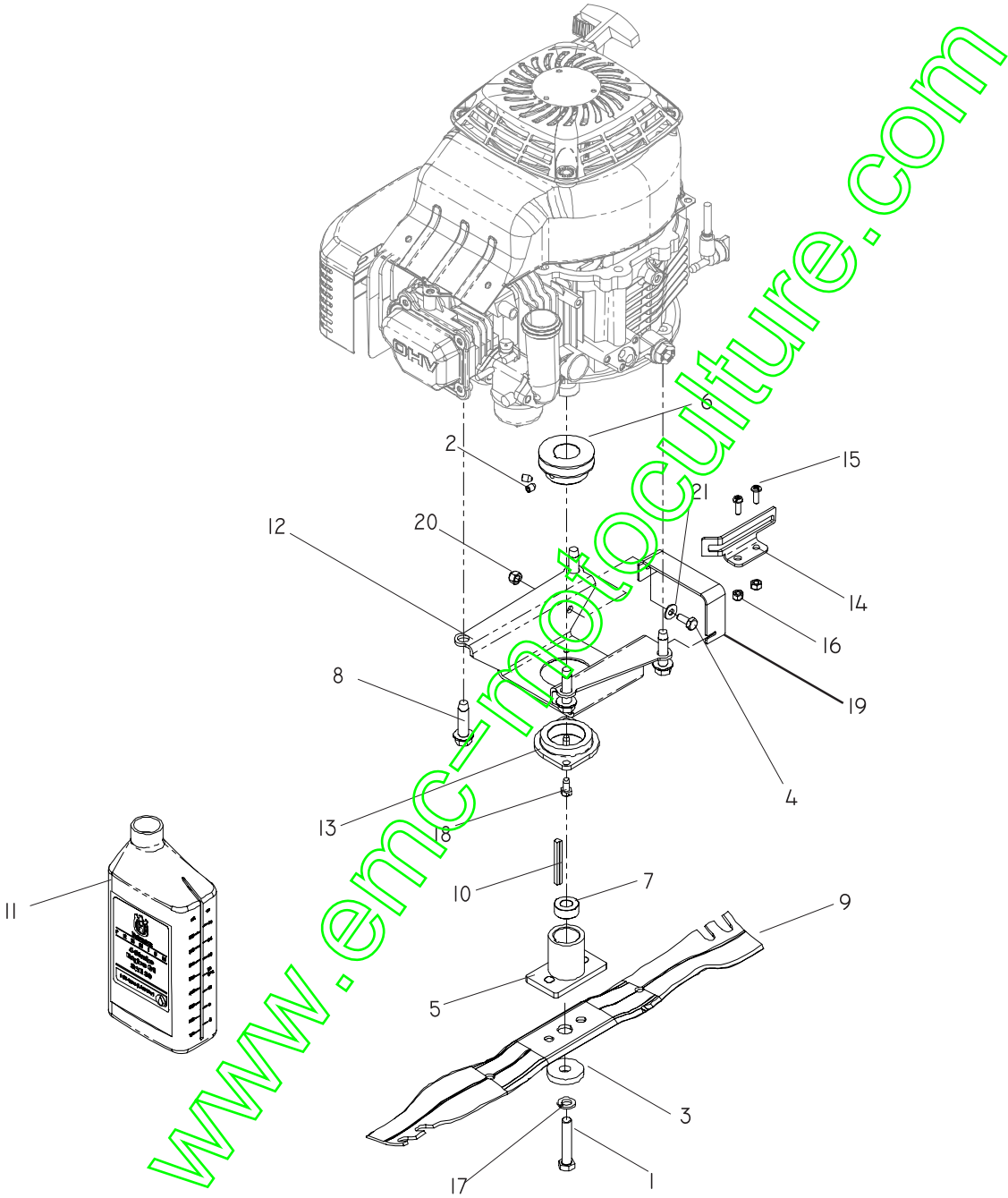
SELF PROPELLED
MODELS: 968999287, 968999289

ITEM	PART NO.	QTY.	DESCRIPTION
1.	539 111531	1	BELT
2.	539 109800	1	RHSNB, 1/4-20 x 1
3.	539 111528	1	DRIVEN PULLEY
4.	539 111529	1	CABLE BRACKET
5.	539 111535	1	SHIFTER
6.	539 111877	1	TRANSMISSION SPACER
7.	539 112046	1	HCS, 1/4-14 x 1 1/2, SELF TAP
8.	539 112911	1	PIVOT BUSHING
9.	539 112915	1	SHAFT COVER
10.	539 113100	1	SPIRAL PIN, 3/16 x 1 1/8
11.	539 113139	1	TRANSMISSION W/GREASE SLOT, T13C
12.	539 976978	1	NUT, 1/4-20, NYLOC
13.	539 990598	1	WASHER, 1/4
14.	539 991081	2	SCREW 1/4-14 x 3/4, SELF TAP
15.	539 111890	1	SPRING, TRANSMISSION
16.	539 111891	2	KEY SPRING
17.	539 111893	2	WOODRUFF KEY, SPECIAL
18.	539 131371	1	BELT KEEPER, REAR

www.emc-motoculture.com

ENGINE

KAWASAKI ZONE - CE
MODEL: 968999289



ENGINE

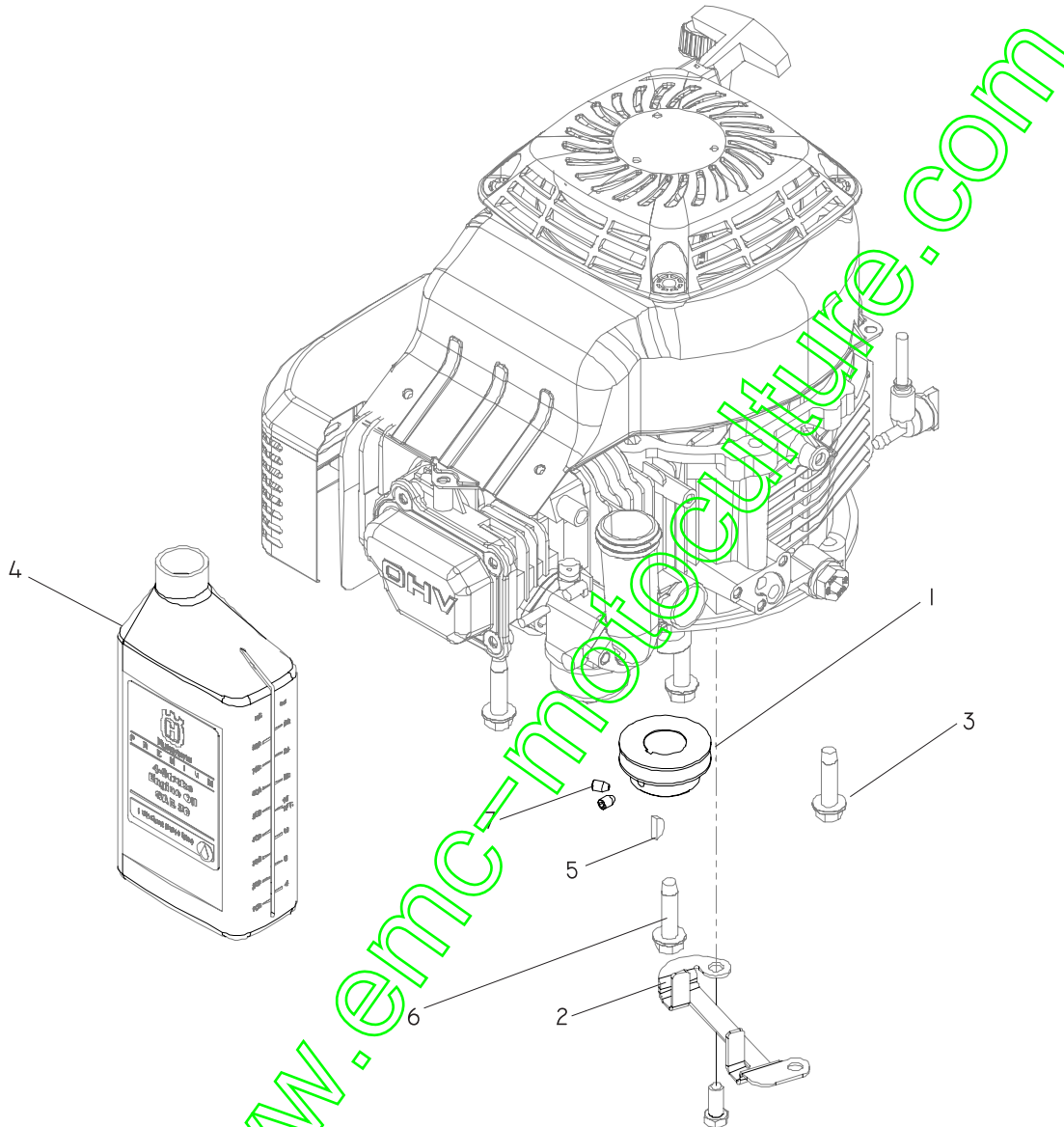
KAWASAKI ZONE - CE

MODEL: 968999289

ITEM	PART NO.	QTY.	DESCRIPTION
1.	539 108506	1	HCS, $\frac{3}{8}$ -24 x 2, GR8
2.	539 108561	2	SCREW, $\frac{1}{4}$ -20 x $\frac{3}{8}$, SET
3.	539 110064	1	CLUTCH WASHER
4.	539 990072	1	HCS $\frac{1}{4}$ -20 x $\frac{5}{8}$ ZD
5.	539 111526	1	BLADE ADAPTER
6.	539 111527	1	ENGINE PULLEY
7.	539 111975	1	BLADE DRIVER SPACER
8.	539 111970	4	BOLT, $\frac{3}{8}$ -16 x $1\frac{1}{2}$, THREAD FORM
9.	539 113233	1	BLADE, 21"
10.	539 112794	1	KEY, STEPPED
11.	539 112946	1	OIL, QT BOTTLE
12.	539 130595	1	BRACKET, SHAFT SUPPORT
13.	539 114921	1	BEARING, SHAFT SUPPORT
14.	539 113391	1	BBC DECK GUARD
15.	539 976952	2	SCREW, #10-24 x $\frac{5}{8}$, COMBO SPEC
16.	539 976977	2	NUT, #10-24, NYLOC
17.	539 990118	1	LOCKWASHER, $\frac{3}{8}$
18.	539 105532	3	SCREW, $\frac{1}{4}$ -20 SELF TAP
19.	539 131648	1	BELT KEEPER- FRONT, BLACK
20.	539 976978	1	NUT $\frac{1}{4}$ -20 HEX NYLOC ZD
21.	539 990055	1	WASHER, $\frac{1}{4}$ FLAT SAE ZD

ENGINE

KAWASAKI BBC - CE
MODEL: 968999287



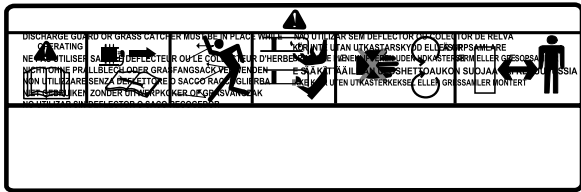
ENGINE

KAWASAKI BBC - CE
MODEL: 968999287

ITEM	PART NO.	QTY.	DESCRIPTION
1.	539 111525.....	1	ENGINE PULLEY $\frac{7}{8}$ " SHAFT
2.	539 131363.....	1	BELT KEEPER- FRONT
3.	539 111970.....	4	HCS, $\frac{3}{8}$ -16 x $1\frac{1}{2}$, TREAD FORMING
4.	539 112946.....	1	OIL, QT BOTTLE
5.	539 910008.....	1	KEY-WOODRUFF, #6
6.	539 300600.....	1	HCS M8 x 1.25 x 20
7.	539 108561.....	2	SCREW, $\frac{1}{4}$ -20 x $\frac{3}{8}$, SET

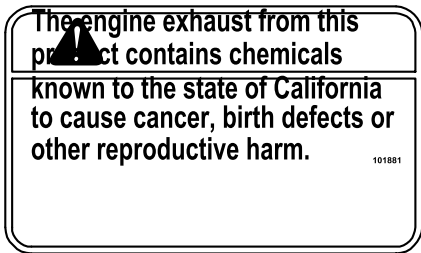
www.emc-motoculture.com

DECALS

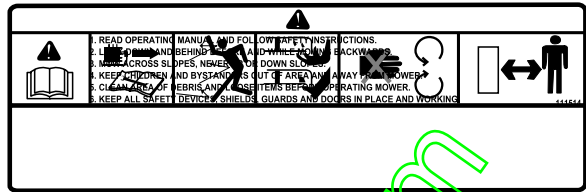


3

WARNING

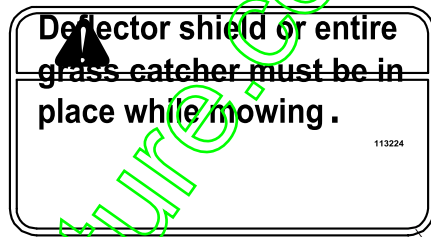


6



4

WARNING



5



1



2



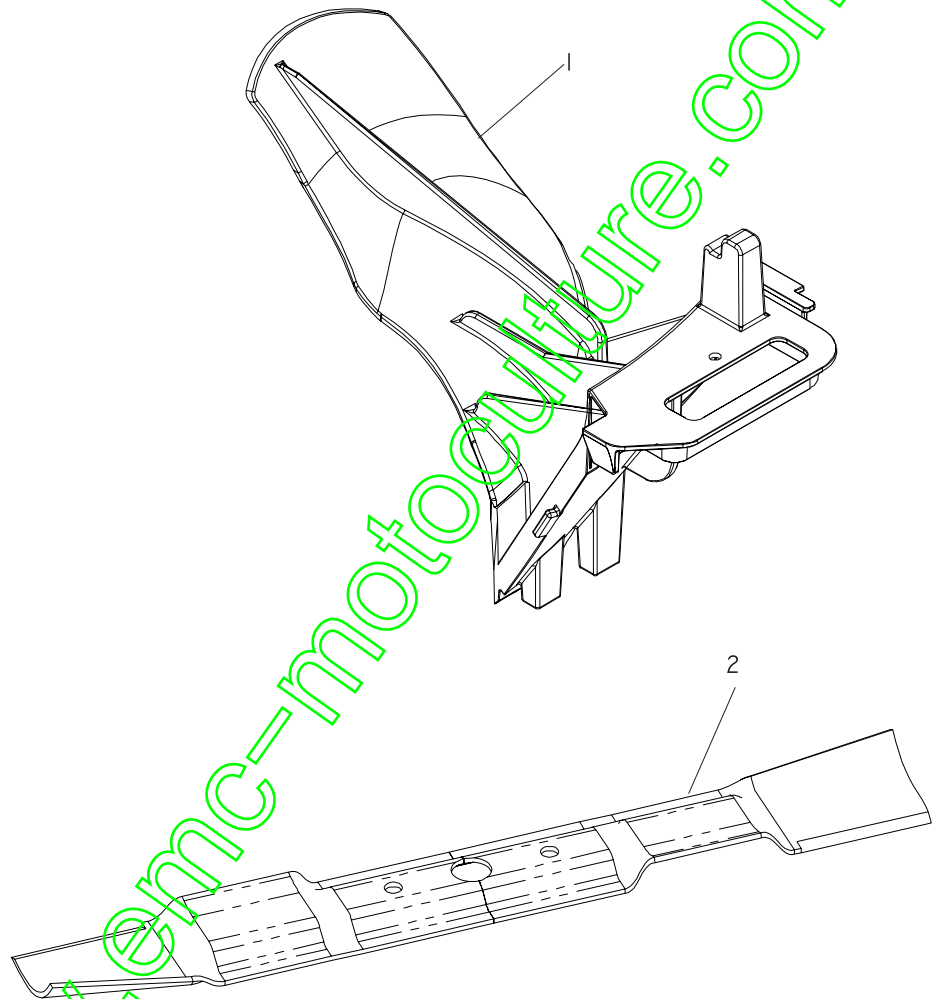
8

ITEM	PART NO.	QTY.	DESCRIPTION
------	----------	------	-------------

1.	539 130239	1	DECAL - CROWN ROUND
2.	539 913010	1	DECAL - CPSC
3.	539 130240	1	DECAL - WARNING, MULTILINGUAL
4.	539 111514	1	DECAL - WARNING
5.	539 113224	1	DECAL - WARNING
6.	539 101881	1	DECAL - PROP 65

ACCESSORIES

MULCH KIT 539 113051

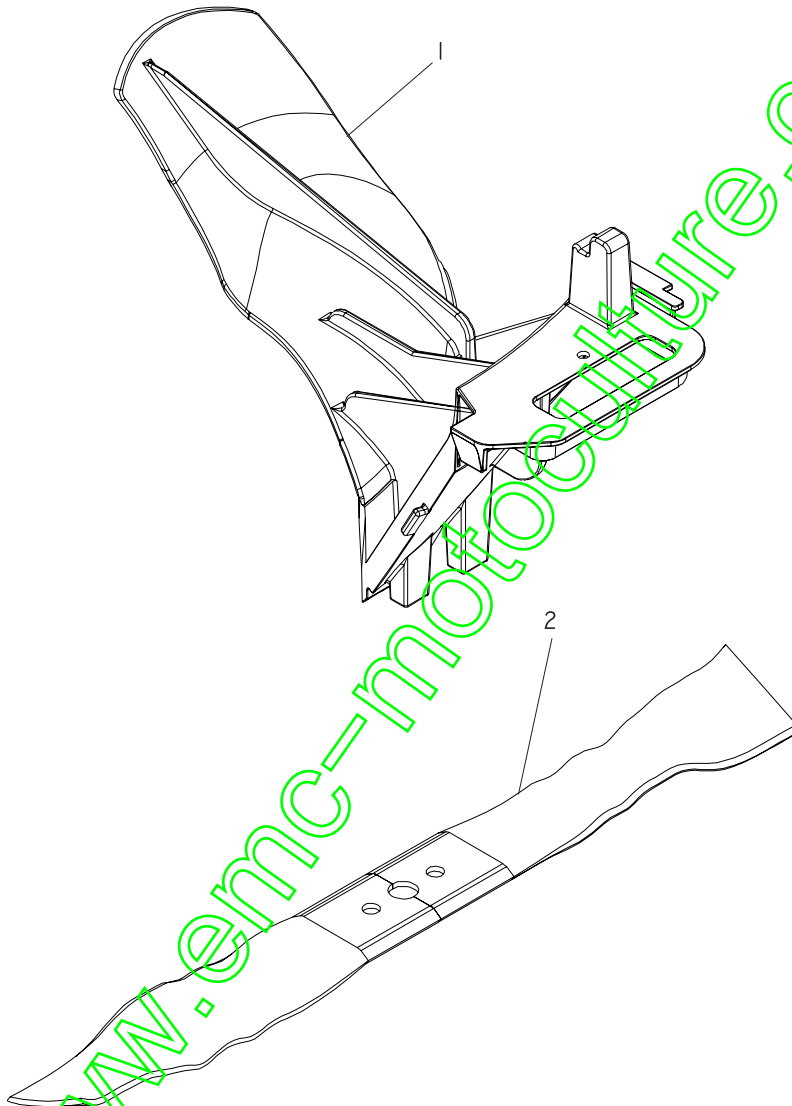


ITEM	PART NO.	QTY.	DESCRIPTION
------	----------	------	-------------

- | | | | |
|----|-----------------|---|-----------------------|
| 1. | 539 111515..... | 1 | MULCH PLUG |
| 2. | 539 111958..... | 1 | BLADE, 21", BBC MULCH |

ACCESSORIES

MULCH KIT 539 113052



ITEM	PART NO.	QTY.	DESCRIPTION
1.	539 111515.....	1	MULCH PLUG
2.	539 111878.....	1	BLADE, 21", MULCH