

ILLUSTRATED PARTS LIST

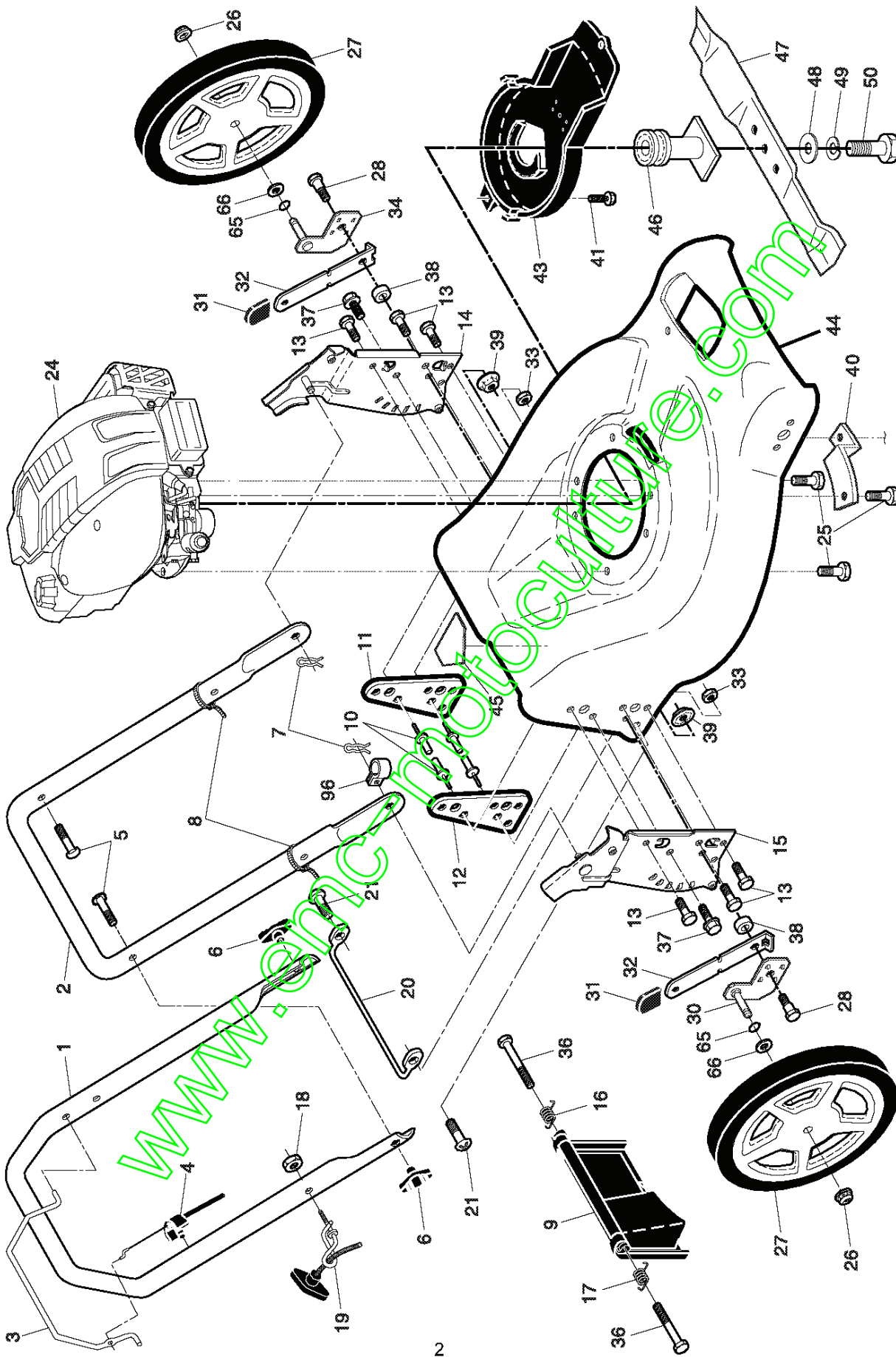
MODEL NUMBER MAC7TH

PRODUCT NUMBER 961 41 01-00

MFG. ID. NUMBER 96141010001

www.emc-motoculture.com

ROTARY LAWN MOWER - - MODEL NUMBER **MAC7TH** (96141010001) PRODUCT NUMBER 961 41 01-00

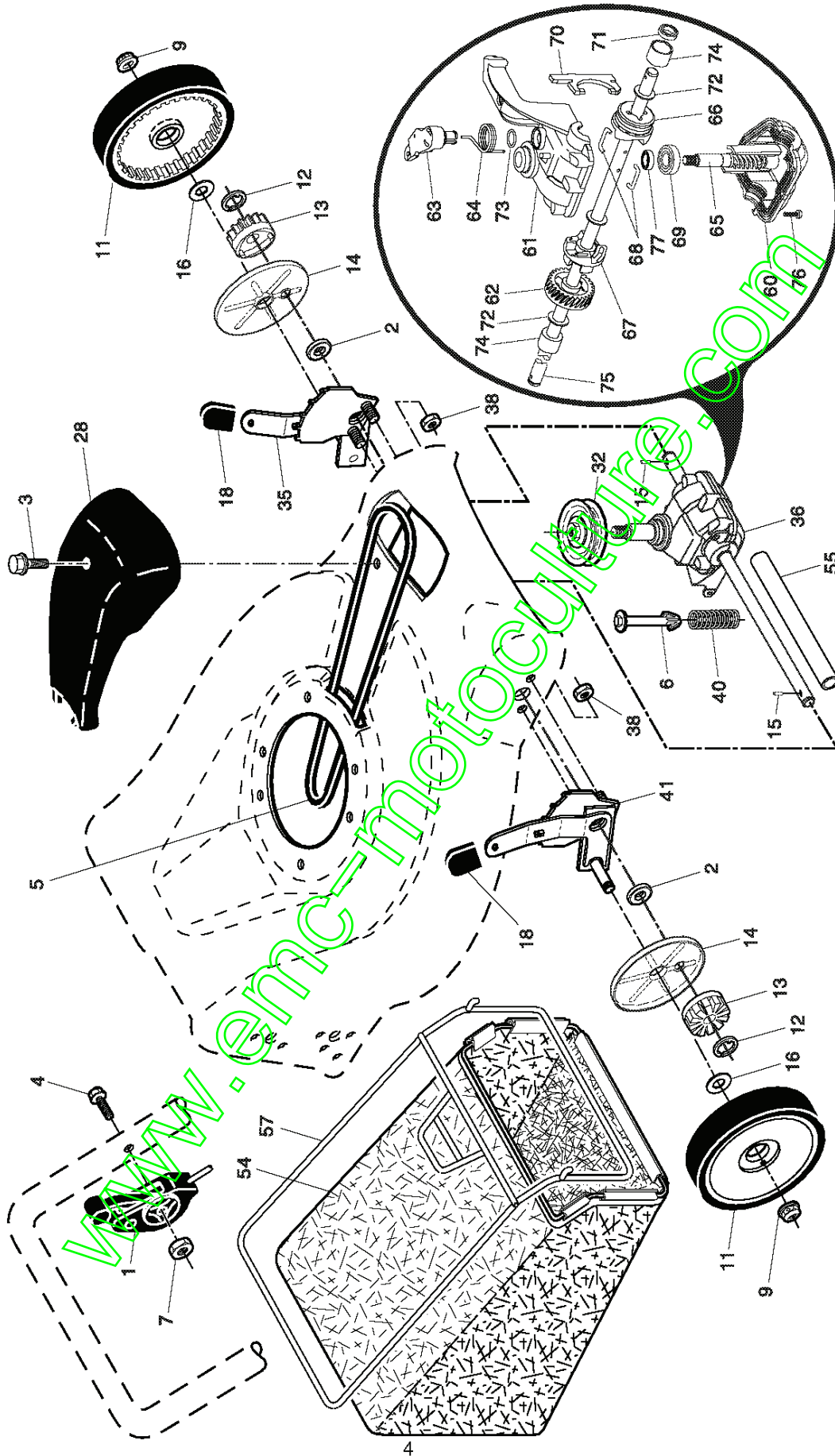


ROTARY LAWN MOWER - - MODEL NUMBER MAC7TH (96141010001) PRODUCT NUMBER 961 41 01-00

KEY NO.	PART NO.	DESCRIPTION	KEY NO.	PART NO.	DESCRIPTION
1	532 40 29-37	Upper Handle	29	532 19 09-39	Mounting Bracket, Debris Shield
2	532 15 36-05	Lower Handle	30	532 40 25-71	Axle Arm Assembly, Rear, RH
3	532 19 00-60	Control Bar	31	532 08 78-77	Selector Knob
4	532 18 35-67	Entire Zone Control Cable	32	532 19 01-57	Selector Spring
5	532 19 15-74	Handle Bolt	33	873 80 05-00	Nut, Hex 5/16-18
6	532 19 19-38	Handle Knob	34	532 40 25-72	Axle Arm Assembly, Rear, LH
7	532 05 17-93	Hairpin Cotter	36	532 18 41-93	Bolt
8	532 06 64-26	Wire Tie	37	874 78 05-12	Thread Cutting Screw w/Sems 5/16-18 x 3/4
9	532 40 69-85	Rear Door Assembly	38	819 11 22-06	Washer
10	532 12 84-15	Pop Rivet	39	532 19 85-41	Nut, Hex, Flanged
11	532 41 05-40	Support Bracket, LH	41	532 19 23-25	Screw, Debris Shield
12	532 41 05-42	Support Bracket, RH	43	532 40 58-45	Debris Shield
13	817 06 04-10	Screw 1/4-20 x 5/8	44	532 40 96-87	Lawn Mower Housing (Includes Key Numbers 10, 11, 12 and 45)
14	532 18 25-43	Handle Bracket Assembly, LH	45	532 18 21-66	Danger Decal
15	532 18 25-45	Handle Bracket Assembly, RH	46	532 40 46-33	Blade Adapter / Pulley
16	532 40 54-17	Spring, Rear Door, LH	47	532 19 93-77	Blade, 21"
17	532 40 54-18	Spring, Rear Door, RH	48	532 85 10-74	Hardened Washer
18	532 13 20-04	Keys Locknut 1/4-20	49	532 85 02-63	Helical Washer 3/8-24 x 1-3/8 Grade 8
19	532 19 47-88	Rope Guide	50	532 85 10 84	Hex Head Machine Screw 3/8-24 x 1-3/8 Grade 8
20	532 41 05-36	Foot Guard, C.E.	65	532 19 74-80	O-Ring
21	532 05 45-83	Screw, Tapping 1/4-20 x 1/2	66	532 08 83-48	Washer, Flat 3/8
24	---	Engine, Briggs & Stratton, Model Number 128602 (order parts from engine manufacturer)	96	532 19 79-91	Crip Cable
25	532 15 04-06	Hex Head Thread Rolling Screw 3/8-16 x 1-1/8	--	532 18 21-34	Decal, Self-Propelled, Internal (not shown)
26	532 14 52-12	Hex Flange Nut	--	532 40 21-08	Operator's Manual, European
27	532 40 31-67	Wheel & Tire Assembly, Rear, 12"	--	532 40 21-11	Operator's Manual, Scandinavian
28	532 16 08-28	Shoulder Bolt 5/16-18 x .33	--	532 40 21-13	Operator's Manual, Baltic
			--	532 40 21-12	Operator's Manual, East Bloc

NOTE: All component dimensions given in U.S. inches. 1 inch = 25.4 mm. **IMPORTANT:** Use only Original Equipment Manufacturer (O.E.M.) replacement parts. Failure to do so could be hazardous, damage your lawn mower and void your warranty.

ROTARY LAWN MOWER - - MODEL NUMBER **MAC7TH** (96141010001) PRODUCT NUMBER 961 41 01-00



ROTARY LAWN MOWER - - MODEL NUMBER MAC7TH (96141010001) PRODUCT NUMBER 961 41 01-00

KEY NO.	PART NO.	DESCRIPTION	KEY NO.	PART NO.	DESCRIPTION
1	532 18 45-88	Drive Control Assembly (Includes Cable)	54	532 40 31-66	Grassbag Assembly
2	532 19 10-39	Bearing, Wheel Adjuster	55	532 17 57-39	Driveshaft Cover
3	532 17 52-62	Pan Head Tapping Screw #10-24 x 2-3/4	57	532 40 18-02	Frame, Grassbag
4	532 15 87-55	Hex Washer Head Screw 1/4-20 x 2.12	60	532 18 34-97 *	Case, Lower
5	532 17 54-36	V-Belt	61	532 18 34-98 *	Case, Upper
6	532 15 04-95	Spring Retainer	62	532 18 34-99	Gear, 27 Teeth
7	532 19 17-30	Nut, Hex, Flanged, 1/4-20	63	532 18 35-00	Lever, Clutch
9	532 08 39-23	Locknut, Hex	64	532 18 35-01	Spring, Return
11	532 19 79-86	Wheel & Tire Assembly, Front, 8"	65	532 18 35-02	Shaft, Input
12	812 00 00-58	E-Ring	66	532 18 35-03	Dog, Movable
13	532 40 38-49	Pinion	67	532 18 35-04	Dog, Fixed
14	532 18 94-03	Dust Cover	68	532 18 35-05	Wire, Formed
15	532 19 10-17	Pawl, Drive	69	532 18 35-06	Bearing, Ball
16	532 06 77-25	Washer 1/2 x 1-1/2 x .134	70	532 18 35-07	Fork, Shift
18	532 08 78-77	Selector Knob	71	532 18 35-08	Seal, Output Shaft
28	532 18 14-67	Drive Cover	72	532 18 35-09	Washer
32	532 19 41-26	Drive Pulley	73	532 18 35-10	Seal, Case
35	532 40 90-97	Kit, Wheel Adjuster, LH (Includes Knob and Bearing)	74	532 18 35-11	Bushing
36	532 19 49-35	Gear Case Assembly, Complete	75	532 18 66-13	Shaft, Output
38	873 80 04-00	Locknut, Hex 1/4-20	76	532 18 35-13	Screw
40	532 13 70-90	Spring	77	532 18 35-14	Seal, Input Shaft
41	532 40 90-98	Kit, Wheel Adjuster, RH (Includes Knob and Bearing)			

* Use Dow Corning 709 to reseat Gear Case Halves.

NOTE: All component dimensions given in U.S. inches. 1 inch = 25.4 mm. **IMPORTANT:** Use only Original Equipment Manufacturer (O.E.M.) replacement parts. Failure to do so could be hazardous, damage your lawn mower and void your warranty.